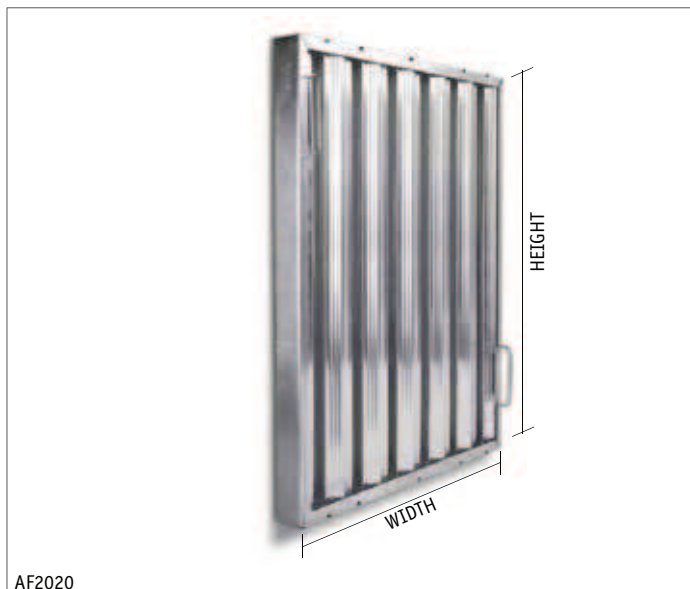




*Since 1941: The most genuine choice available.*

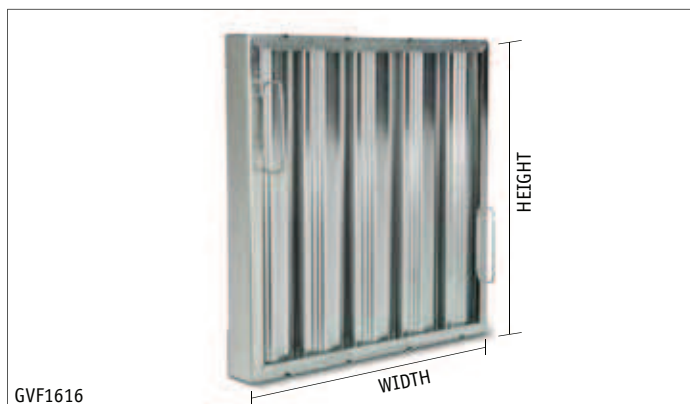


## HOOD FILTERS AND ACCESSORIES

**ALUMINUM HOOD GREASE FILTERS** are lightweight for easy handling. Replace mesh filters that are no longer acceptable per NFPA 96. Each filter includes bale handles. UL Listed.

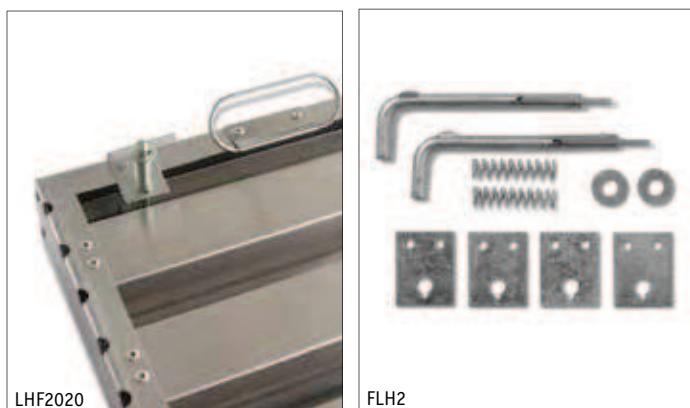
**NOTE:** Actual height and width measures  $\frac{7}{16}$ " less than nominal sizes. All filters measure  $1\frac{3}{4}$ " thick.

P/N	DESCRIPTION
AF1016	10"H x 16"W Aluminum Hood Filter
AF1020	10"H x 20"W Aluminum Hood Filter
AF1216	12"H x 16"W Aluminum Hood Filter
AF1220	12"H x 20"W Aluminum Hood Filter
AF1616	16"H x 16"W Aluminum Hood Filter
AF1620	16"H x 20"W Aluminum Hood Filter
AF1625	16"H x 25"W Aluminum Hood Filter
AF2016	20"H x 16"W Aluminum Hood Filter
AF2020	20"H x 20"W Aluminum Hood Filter
AF2025	20"H x 25"W Aluminum Hood Filter
AF2516	25"H x 16"W Aluminum Hood Filter
AF2520	25"H x 20"W Aluminum Hood Filter



## GALVANIZED HOOD GREASE FILTERS

P/N	DESCRIPTION
GVF1616	16"H x 16"W Galvanized Hood Filter
GVF1620	16"H x 20"W Galvanized Hood Filter
GVF1625	16"H x 25"W Galvanized Hood Filter
GVF2016	20"H x 16"W Galvanized Hood Filter
GVF2020	20"H x 20"W Galvanized Hood Filter
GVF2025	20"H x 25"W Galvanized Hood Filter
GVF2516	25"H x 16"W Galvanized Hood Filter
GVF2520	25"H x 20"W Galvanized Hood Filter



## STAINLESS STEEL HOOD GREASE FILTERS

P/N	DESCRIPTION
SSF1616	16"H x 16"W Stainless Steel Hood Filter
SSF1620	16"H x 20"W Stainless Steel Hood Filter
SSF1625	16"H x 25"W Stainless Steel Hood Filter
SSF2020	20"H x 20"W Stainless Steel Hood Filter
SSF2025	20"H x 25"W Stainless Steel Hood Filter
SSF2520	25"H x 20"W Stainless Steel Hood Filter

**LOCKING HANDLE FILTERS** are required in MD, VA, and Washington, D.C.

P/N	DESCRIPTION
LHF2020	20"H x 20"W Aluminum Hood Filter
LHF2025	20"H x 25"W Aluminum Hood Filter
LHF2520	25"H x 20"W Aluminum Hood Filter

**FILTER LOCKING HANDLES** complete with instructions.

P/N	DESCRIPTION
FLH2	(PR) Filter Locking Handles

**Brooks' FRYER PANELS** are made from stainless steel with deburred edges. They have a large radius corner for protection. Two sizes available that fits most fryers. Meets NFPA 96, which requires that a plate be installed when a fryer is closer than 16" to surface flames on an adjacent appliance.

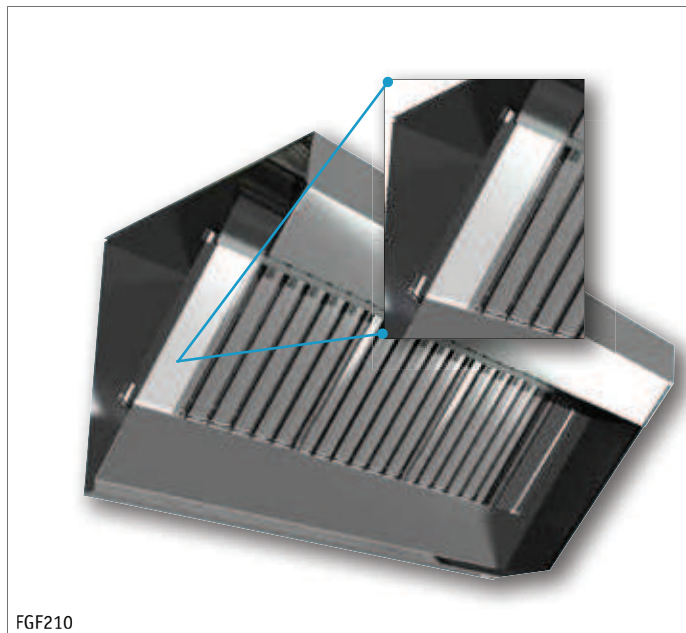
P/N	DESCRIPTION	EACH
FP1230	12" x 30" Fryer Panel	
FP1830	18" x 30" Fryer Panel	



**Brooks' FILTER SPACERS** fill in the uncovered plenum space that results when using standard size filters. Because custom-made filters are expensive and sometimes hard to find, our stainless steel spacers fit the bill and the space that's not critical to air flow or system detection. Spacers are made of 20-gauge 430 stainless steel and have a brushed finish.

**NOTE:** Never place fusible links directly above a spacer, due to limited air flow.

P/N	DESCRIPTION
FGF210	2" x 10" Filter Spacer
FGF212	2" x 12" Filter Spacer
FGF216	2" x 16" Filter Spacer
FGF220	2" x 20" Filter Spacer
FGF225	2" x 25" Filter Spacer
FGF310	3" x 10" Filter Spacer
FGF312	3" x 12" Filter Spacer
FGF316	3" x 16" Filter Spacer
FGF320	3" x 20" Filter Spacer
FGF325	3" x 25" Filter Spacer
FGF410	4" x 10" Filter Spacer
FGF412	4" x 12" Filter Spacer
FGF416	4" x 16" Filter Spacer
FGF420	4" x 20" Filter Spacer
FGF425	4" x 25" Filter Spacer



FGF210

Complete **HOOD LIGHT FIXTURE** with 6" leads and your choice of heat-tempered globe (with or without plastic coating). Globes will not discolor with heat.

P/N	DESCRIPTION
HLF1	Hood Light Fixture w/ Standard Globe
HLF2	Hood Light Fixture w/ Coated Globe
PCG	Replacement Globe w/ Plastic Coating
HFSG	Replacement Standard Globe w/o Plastic Coating
HLWG	Wire Guard for Hood Light



HLF2

HLWG

**Regin SMOKE CARTRIDGES** are easy to handle and non-explosive. Great for studying exhaust air and smoke stacks or to leak-test duct work, pipelines, and tanks.

P/N	DESCRIPTION	WEIGHT	SMOKE VOL.	BURN TIME	PKG QTY	EACH
S102	Fumax	1/10 oz	150 cu. ft.	45 sec.	10	
S103	Fumax KS	1/3 oz	600 cu. ft.	1 1/2 min.	10	
S104	Ventax	2/3 oz	1,200 cu. ft.	3 min.	5	
S105	Brandax	2 oz	2,500 cu. ft.	4 min.	5	
S107	Brandax KS	1 lb	18,000 cu. ft.	8 min.	1	



SMOKE CARTRIDGES

**SYSTEM TEST BALLOONS** are tested by our customers and proven effective. Use to show the AHJ that the chemical lines are open.

**WARNING:** Do not use for chemical discharge!

P/N	DESCRIPTION	EACH
STB25	System Test Balloons, Pkg/25	



STB25





DC8GA



D106F2GA



DRU12814GA



DR10612ULBI



D106ULBI



FS900



HS1

**Ductmate® DUCT ACCESS DOORS** provide easy access to grease ducts or high-temperature duct systems. They are simple to install and provide a leak-resistant seal. Just cut the hole and install. No measuring is required, because a stick-on template is provided. And when an inspection is necessary, just unscrew the wing nuts to inspect. Call sales for complete specs.

P/N	DESCRIPTION	DOOR SIZE	MAX TEMP RATING
DC8GA	Circular Clean-Out	9"	200°
DU106GA	Rectangle	11" x 7"	200°
DU128GA	Rectangle	13" x 9"	200°
DI128GA	Rectangle, Insulated	13" x 9"	200°
D106F1GA	Rectangle	11" x 7"	1,000°
D128F1GA	Rectangle	13" x 9"	1,000°
D106F2GA	Rectangle	11" x 7"	2,300°
D128F2GA	Rectangle	13" x 9"	2,300°
D1814F2GA	Rectangle	19" x 15"	2,300°
D2418F2GA	Rectangle	24 <sup>5</sup> / <sub>8</sub> " x 18 <sup>3</sup> / <sub>4</sub> "	2,300°
DRU12814GA	Round	12 <sup>1</sup> / <sub>2</sub> " x 8 <sup>9</sup> / <sub>16</sub> "	200°
D1612F2GA	Rectangle	16" x 12"	2,300°
DRU161224GA	Round	16" x 12"	200°

➔ **More DOOR SIZES Available - Call for Pricing.**

**Ductmate® DUCT ACCESS DOORS** are UL1978 listed and meet NFPA 96 standards. Easy to install, no welding, drilling or special tools needed saving installation time. Available in a variety of sizes and includes a self-adhesive template for the duct opening to be used. Consists of two layers of 11 gauge steel (S.S. also available) and a high temperature ceramic board rated to 2,300°.

NOTE: For steel duct use only!

P/N	DESCRIPTION	DOOR SIZE	MAX TEMP RATING
DR10612ULBI	Round	12" x 8"	2,300°
DR12812ULBI	Round	14" x 10"	2,300°
➔ D106ULBI	Rectangle	10" x 6"	2,300°
➔ D1010ULBI	Rectangle	10" x 10"	2,300°
➔ D128ULBI	Rectangle	12" x 8"	2,300°
➔ D1814ULBI	Rectangle	18" x 14"	2,300°

**FlameSafe® FIRESTOP CAULK** is for sealing penetrations in fire walls and is UL classified under "Fill or Cavity Materials." Produces a sandable, paintable surface with up to a three-hour fire rating. Water based (no solvents or silicones). **WARNING:** Not for hood use!

P/N	DESCRIPTION	EACH
FS900	FlameSafe Caulk, 10.3 oz Tube <a href="http://brooksequipment.com">Instructions Available online at brooksequipment.com</a>	

100% silicone **HOOD CAULK** (aluminum color) can be applied overhead (up to 400°F). Meets FDA and USDA requirements. **NOTE:** Does not meet NFPA requirements for sealing hood penetrations.

P/N	DESCRIPTION
HS1	Hood Caulk, 10.3 oz Tube



**SAFETY-SET BRACKETS** are designed to precisely relocate mobile cooking equipment under the exhaust hood, at the approved designed location, in accordance with NFPA 96 and NFPA 17A requirements. Each pair of **Safety-Set Brackets** includes installation hardware.

P/N	DESCRIPTION	EACH
PS2	Safety-Set Brackets	



PS2

The 6" **FireTech™ GREASE COMB** is a must have for all hood system service techs, because it accurately measures the amount of grease buildup present on hoods, fans, ducts, and other surfaces. Now you can demonstrate to your customer when combustible contaminants are at dangerous levels. White plastic comb features depth gauge teeth clearly printed in microns for easy grease depth assessment.

P/N	DESCRIPTION	L X H X W	PRICE
FTGC	Grease Comb	6" x 2 <sup>3</sup> / <sub>16</sub> " x 7 <sup>7</sup> / <sub>8</sub> "	



FTGC

**Brooks' STAINLESS STEEL CLEANER/POLISH** is a clear, thin liquid with a pleasant smell. It is biodegradable, does not contain harsh ingredients, and will not harm skin or metal surfaces (when used as directed). Perfect for use in restaurants and other buildings where stainless steel, brass, or bronze surfaces need to be cleaned.

P/N	DESCRIPTION
BRSSPQ	Stainless Steel Cleaner/Polish, 1 qt
BRSSPG	Stainless Steel Cleaner/Polish, 1 gal



BRSSPQ



BRSSPG

**STAINLESS STEEL CLEANER/POLISHER**, made by **Sheila Shine®**, removes grease film, finger marks, and covers scratches, leaving a protective coating that preserves surfaces.

P/N	DESCRIPTION
SSCPA	Stainless Steel Cleaner/Polish, 10 <sup>1</sup> / <sub>2</sub> oz Aerosol
SSCPQ	Stainless Steel Cleaner/Polish, 1 qt
SSCPG	Stainless Steel Cleaner/Polish, 1 gal



SSCPQ

**COMMERCIAL APPLIANCE CLEANERS** are ideal for cleaning all cooking surfaces in a typical restaurant kitchen. **Grease Out** safely removes carbonized soils and greases from grills and oven surfaces; while **Slash** oven, grill, and fryer cleaner handles moderately soiled stovetops, burners, griddles, and deep fryers. For tough jobs, use **Blast** thickened oven cleaner. It conquers grease, fats, and burnt-on foods from ovens, ranges, range hoods, vents, grills, and broilers. (These products are not for use on soft metals).

**NOTE:** For shipping, SLASH1 and BLAST1 must be sold in case quantity of four.

P/N	DESCRIPTION	PKG QTY	EACH
OCA18	Oven Cleaner Aerosol, 18 oz	12	
SLASH1	Grill, Oven, & Fryer Cleaner, 1 gal	4	
BLAST1	Oven Cleaner & Degreaser, 1 gal	4	



OCA18



SLASH1





## WIPERS AND DISPENSERS

**WYPALL® WIPERS** provide better absorption than a shop rag and come in different thicknesses for different jobs. And since they're disposable, they keep workers healthier and shops cleaner. **WYPALL** uses **Hydroknit®** technology to combine excellent absorbing power in a lightweight wiper that is reusable. They also take up less space than rags and install anywhere with a **JUMBO ROLL DISPENSER**.

P/N	DESCRIPTION	EACH
KCW180	Pop-Up Box Wipers, White, 12 <sup>1</sup> / <sub>2</sub> " x 16 <sup>3</sup> / <sub>4</sub> ", Box/180 <i>Replaces 25 lbs of Scrap Rags</i>	
KCHDW475	Jumbo Roll Wipers, Red, 12 <sup>1</sup> / <sub>2</sub> " x 13 <sup>3</sup> / <sub>8</sub> ", Roll/475 <i>Replaces 75 lbs of Scrap Rags</i>	
KCHDD	Jumbo Roll Dispenser, 16 <sup>3</sup> / <sub>4</sub> "L x 33"H x 18 <sup>1</sup> / <sub>2</sub> "W	
KCHWM	Jumbo Roll Wall Mount Dispenser, 16 <sup>3</sup> / <sub>4</sub> "L x 8 <sup>3</sup> / <sub>4</sub> "H x 10 <sup>3</sup> / <sub>4</sub> "W	

Ideal for all of your toughest tasks, **Scott® TOWELS** are strong, soft, absorbent, and work like a cloth. For a quick solution to any mess, **Rags In A Box** and **Shop Towels** are great for wiping hands, cleaning tools, and absorbing liquids, oil, and grease. For consistent quality and affordability, no other brand beats **Scott**.

P/N	DESCRIPTION	EACH
KCST55	Shop Towels, Blue, 10 <sup>3</sup> / <sub>8</sub> " x 11", Roll/55	
KCRB200	Rags In A Box, White, 10" x 13", Box/200	

## SAFETY MATS

**Safewalk-Light™ FLOOR SAFETY MAT** proves that it's possible to combine anti-fatigue with drain-through capabilities. Black mat is 1/2" thick, easy-to-clean, and recommended for use in medium- to heavy-duty wet areas. Perfect for kitchens, wait stations, and bar areas. Black.

P/N	DESCRIPTION	EACH
WSCT35BKCM	Safewalk-Light Mat, 3' x 5'	

Proper matting can save time and money on floor maintenance, worker fatigue, and prevent accidental slips and falls. **INDUSTRIAL DECK PLATE MATTING** is durable and features a slip-resistant surface with a diamond-patterned texture. Industrial-grade PVC-foam backing is fused to the top surface to add comfort and relief for tired feet and legs. Mat is resistant to most common fluids and chemicals; and comes with beveled edges and yellow borders for greater visibility and improved safety. For use in medium- to heavy-duty dry areas.

P/N	DESCRIPTION	EACH
CD0035YBCM	Industrial Deck Plate Mat, 3' x 5'	



Clear, 3 mil **PLASTIC SHEETING** measures 12½' x 100' and comes on a 4' roll (enough to approximately cover an area around five hoods), keeping appliances protected from dirt, grime, and chemicals.

P/N	DESCRIPTION	PRICE
PS1003	Plastic Sheeting	



PS1003

These economical **SAFETY GOGGLES** feature a comfortable, soft frame; direct ventilation; and a wide one-piece clear polycarbonate lens. Meets ANSI Z87.1 requirements. 99.9% UV protection.

P/N	DESCRIPTION	EACH
EW201	Economy Safety Goggles	



EW201

Ergonomically designed and multi-dipped, **Black Jack® NEOPRENE GLOVES**, from **MCR**, create a liquid-proof barrier against abrasions, cuts, acids, and other chemicals. Gloves have gauntlet cuffs, brushed-cotton interlock linings, etched rough finish, and are treated with **Actifresh®** to retard bacteria. Black.

P/N	DESCRIPTION	SIZE	PRICE
MG6932	Neoprene Gloves, 12" Gauntlet	L	
MG6944	Neoprene Gloves, 14" Gauntlet, Foam Lined	L	



MG6932



555L

**PROTECTIVE CLOTHING**

**PROTECTIVE COVERALLS** with serged seams, front zipper, and collar. The most popular disposable protective clothing available.

P/N	DESCRIPTION	SIZE	EACH
555L	Coverall	L	
555XL	Coverall	XL	
555XXL	Coverall	2XL	
TYBC	Boot/Shoe Cover	Universal	

**MCR's 16" STEEL TOE PVC BOOTS** feature a heavy-duty, over-the-sock design and cleated soles with traction grips. They're 100% waterproof with polyester linings and kick-off lugs for easy on and off. They're flexible, too, for excellent comfort and abrasion resistance. Black.

P/N	DESCRIPTION	SIZE	EACH
STB10	16" PVC Boot	10	
STB11	16" PVC Boot	11	
STB12	16" PVC Boot	12	
STB13	16" PVC Boot	13	
STB14	16" PVC Boot	14	



TYBC



STB10





NFPA1713

## CODES AND REGULATIONS

For nearly a century, people have relied on **NFPA® PUBLICATIONS**—your blueprints to safety.

P/N	DESCRIPTION	EACH
NFPA1713	NFPA 17: Standard for Dry Chemical Extinguisher Systems, 2013 ed	
NFPA17A13	NFPA 17A: Standard for Wet Chemical Extinguisher Systems, 2013 ed	
NFPA9614	NFPA 96: Standard for Ventilation Control & Fire Protection of Commercial Cooking Operations, 2014 ed	

For other NFPA Publications, See Page 60



IT525

**Raytek's MiniTemp® INFRARED LASER THERMOMETER**

measures surface temperatures, identifying potential problems before they start. Or, as in the case of fusible links, it demonstrates the temperature at which they may activate. And it's safe, fast, and contamination free. Plus its infrared technology provides nearly instantaneous readings without actually touching an object.

**MiniTemp** is small enough to fit in your pocket and includes a backlit display for easy viewing and a laser point to pinpoint your target.

**SPECIFICATIONS**

Temperature Range: 0°F to 750°F

Max. Target (Spot) Distance: 4'

Optical Resolution (D:S): 8:1

Accuracy (+/- 2% or +/- 2°C (+/- 3°F) of reading, whichever is greater)

Sighting: Laser Point

Emissivity: Pre-Set to 0.95

P/N	DESCRIPTION	EACH
IT525	Infrared Laser Thermometer	



G16524PHL

## FUSIBLE LINKS AND HEAT DETECTORS

**PHL Links™ McCabe® RESETTABLE BI-METAL FIRE LINK**

is a UL 33 permanent replacement for fusible links. Utilizing a corrosion-resistant bi-metal configuration, the **McCabe Link** is resettable and reusable after testing making it environmentally friendly and cost effective. Load range 1–25 lbs.

P/N	DESCRIPTION	EACH
G16524PHL	McCabe 165°F Thermal Electric Link, 24V Link w/ 55W Electric Heater	
G165120PHL	McCabe 165°F, 120V/.46Amps Link w/ 55W Electric Heater	
G21224PHL	McCabe 212°F, 24V/2.3Amps Link w/ 55W Electric Heater	
G212120PHL	McCabe 212°F, 120V/.46Amps Link w/ 55W Electric Heater	
GSB165120PHL	McCabe 165°F, 120V 55W Electric Heater Pad on Bi-Metal Link	
GUB165PHL	McCabe 165°F Reusable Link w/ Grommet Universal Link Base	

**SR ELECTRO THERMAL LINK (ETL®)** is a UL listed dual-responsive fusible link and release device designed to substantially improve life safety and minimize property damage. It creates an instantaneous fusible link response and separation in the event of fire. The **ETL** has a protruding cylinder to house the heating element and attachment wires. It also provides a means to attach a standard EMT conduit connector adapter. Load range 2–40 lbs.

P/N	DESCRIPTION	EACH
G165ETL	ETL 165° Fusible Link/Release Device	



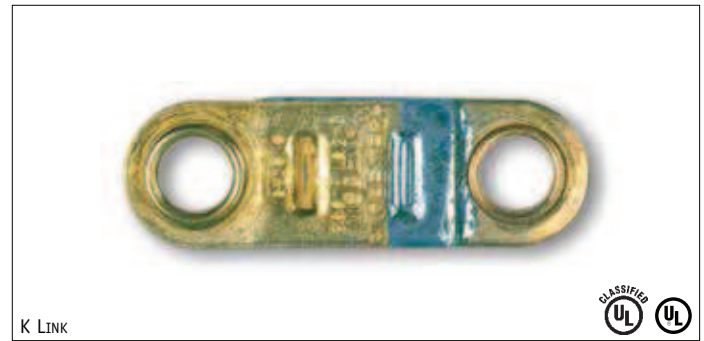
G165ETL





**Globe MODEL K FUSIBLE LINKS** are UL listed and UL classified for use with extinguishing systems. Load range 3–50 lbs. Order in bags of 20 to receive UL classified links with cross reference chart.

P/N	DESCRIPTION
G165K	165°F Model K Fusible Link
G212K	212°F Model K Fusible Link
G280K	280°F Model K Fusible Link
G360K	360°F Model K Fusible Link
G450K	450°F Model K Fusible Link



**Globe MODEL ML FUSIBLE LINKS** are UL listed and UL classified for use with extinguishing systems. Load range 10–40 lbs. Order in bags of 20 to receive UL classified links with cross reference chart.

P/N	DESCRIPTION
G135ML	135°F Model ML Fusible Link
G165ML	165°F Model ML Fusible Link
G212ML	212°F Model ML Fusible Link
G280ML	280°F Model ML Fusible Link
G360ML	360°F Model ML Fusible Link
G450ML	450°F Model ML Fusible Link
G500ML	500°F Model ML Fusible Link



**Globe MODEL A FUSIBLE LINKS** are UL listed and the **G360A** is UL classified for use with extinguishing systems. Load range 3–45 lbs. Order the **G360A** in bags of 20 to receive UL classified links with cross reference chart.

P/N	DESCRIPTION
G165A	165°F Model A Fusible Link
G212A	212°F Model A Fusible Link
G280A	280°F Model A Fusible Link
G360A	360°F Model A Fusible Link
G450A	450°F Model A Fusible Link



**Globe MODEL B FUSIBLE LINKS** are UL listed and FM approved for use with extinguishing systems. Load range 3–20 lbs.

P/N	DESCRIPTION
G135B	135°F Model B Fusible Link
G165B	165°F Model B Fusible Link
G212B	212°F Model B Fusible Link
G280B	280°F Model B Fusible Link
G360B	360°F Model B Fusible Link



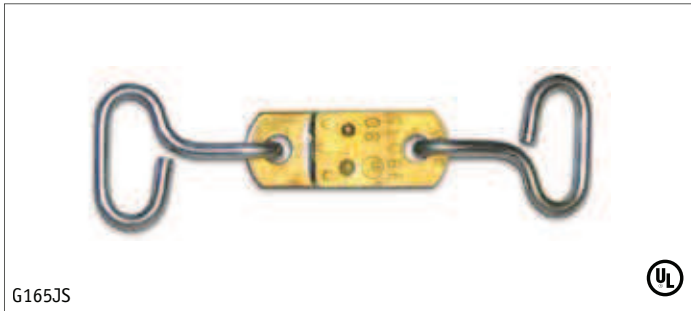
**TEST LINK** is used for testing the detection line, without destroying a more expensive fusible link. Same size as the **Globe Model ML, K, and B** links. Sold in packages of 10 each.

P/N	DESCRIPTION
GTL1	Test Link



Fusible links used in cooking operations should be replaced during semi-annual maintenance, unless conditions require more frequent replacement. To verify that proper maintenance is being performed, write the date of installation and the date of the fusible link on the inspection tag.



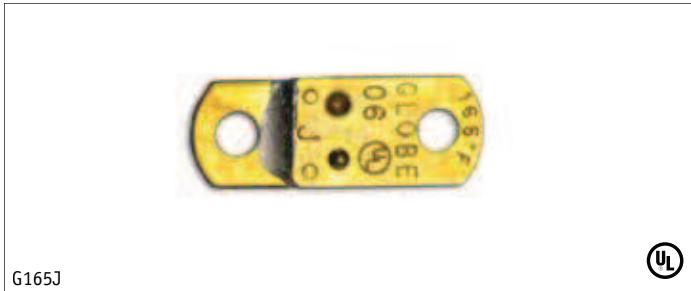


**Globe JS LINKS** are specifically designed for standard-type fire dampers and have a load range of 3–10 lbs. UL listed.

P/N	DESCRIPTION
G165JS	165°F Model JS Fusible Link
G212JS	212°F Model JS Fusible Link



G165JS



**Globe J LINKS** are heat activated and made with brass components to resist corrosion. They have a high-strength, symmetrical shape with a load range of 3–10 lbs. UL listed.

P/N	DESCRIPTION
G165J	165°F Model J Fusible Link
G212J	212°F Model J Fusible Link



G165J



**Globe MODEL D FUSIBLE LINK** is UL listed with a load range of 1–8 lbs.

P/N	DESCRIPTION
G165D	165°F Model D Fusible Link



G165D



**Thermotech HEAT DETECTORS** are normally open devices designed specifically for fire detection and alarm systems. These rate-compensation-type detectors are available with 135°F or 194°F ratings. All are self-restoring, hermetically sealed, shock and corrosion resistant, as well as tamperproof. Approvals/Listings: UL, FM, California State Fire Marshall Listing No. 7270 0021:001, and New York City Department of Buildings, MEA 193-03-E.  
**NOTE:** Not for use in direct sunlight. Explosion-proof model EPM194 for indoor use only. Refer to NFPA 72 for application requirements, testing, and maintenance.

P/N	DESCRIPTION
ET135	135°F All-Weather Heat Detector
EPM194	194°F Explosion-Proof Heat Detector
ET194	194°F All-Weather Heat Detector

EACH

EPM194

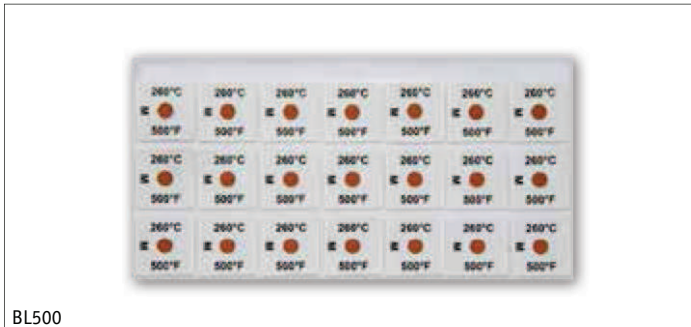


Install **TEMPERATURE LABELS** on link brackets. Dot turns black if temperature is reached, demonstrating that the link reacts to temperature as designed. Measures 1/2" square with 1/4" dot in the center. Twenty-one labels per card.

P/N	DESCRIPTION
BL500	500°F Temperature Labels

EACH

ET194



BL500



FUSIBLE LINK BRACKETS AND CONDUIT FITTINGS

**10" FUSIBLE LINK BRACKET** is UL classified for use in **Pyro-Chem®** and **Range Guard®** systems, per NFPA 17 and 17A.

P/N	DESCRIPTION
LBK1	10" Fusible Link Bracket



**10" HIGH STAND OFF BRACKET** permits better air flow around fusible links and is UL classified for use in **Pyro-Chem®** and **Range Guard®** systems, per NFPA 17 and 17A. Will match up to corner pulley (**CP5**) when coming through top of hood with **GSA12**.

P/N	DESCRIPTION
LBK3	10" Stand Off Fusible Link Bracket



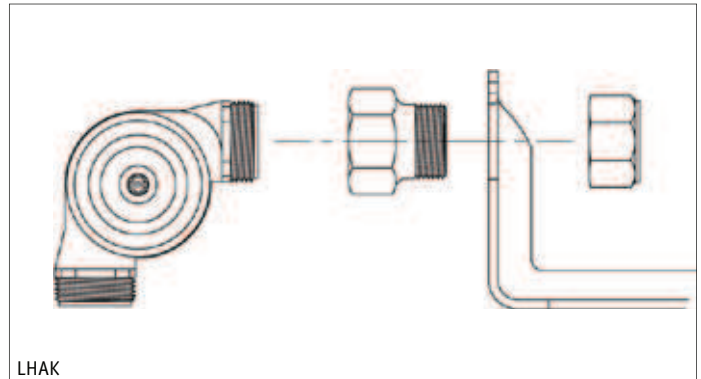
**8" FUSIBLE LINK BRACKET** is UL classified for use in **Kidde** systems, per NFPA 17 and 17A.

P/N	DESCRIPTION
LBK2	8" Fusible Link Bracket



**LINK HOUSING ADAPTER KIT** allows attachment of the **Ansul®** and **Pyro-Chem®** large threaded corner pulley to the **LBK3** fusible link bracket. This kit reduces the larger threads of the corner pulley to fit the smaller-diameter link bracket hole. No conduit or conduit fittings are required. Kit includes one reducing adapter and one steel nut.

P/N	DESCRIPTION
LHAK	Link Housing Adapter Kit



**EMT CONDUIT FITTINGS**

P/N	DESCRIPTION	EACH
1210	1/2" EMT Set Screw Connector, Pkg/50	
1220	1/2" EMT Set Screw Coupling, Pkg/50	
2105	1/2" EMT Compression Connector, Pkg/50	
2205	1/2" EMT Compression Coupling, Pkg/50	
1505	1/2" EMT & 3/8" Pipe Single Hole Strap, Pkg/100	
7800	Standoff Clamp w/ Bolt, Pkg/100 For 1/2" EMT, 1/2" & 3/8" Pipe	
→ 651S	1/2" Steel Compression Connector (Sold Individually)	





500C16

**CABLE, CRIMPS, AND S-HOOKS**

**FireTech™** Aircraft-type 7 x 7 **STAINLESS STEEL CABLE** for automatic suppression systems.

P/N	DESCRIPTION
1000C16	1,000' of 1/16" Stainless Steel Cable
500C16	500' of 1/16" Stainless Steel Cable
250C16	250' of 1/16" Stainless Steel Cable
50C16	50' of 1/16" Stainless Steel Cable
250C64	250' of 3/64" Stainless Steel Cable



OS1, OS2



OS3



OS4

**S-HOOKS & CRIMPS** for automatic suppression systems.

P/N	DESCRIPTION
OS1	3/64" Oval, Zinc-Plated, Copper Crimp, Pkg/100
OS2	1/16" Oval, Zinc-Plated, Copper Crimp, Pkg/100
OS3	1/16" Copper Stop Crimp, Pkg/100
OS4	1/16" Kidde-Style, Plated Copper Crimp, Pkg/100
BHN	Brass Hex Nut
SHK	1" S-Hooks, Pkg/100



BHN



SHK



CC093

**CABLE CUTTER** leaves clean square cuts on stainless steel cable. Cadmium plated heat-treated alloy ensures maximum rust prevention and extra long life.

**NOTE:** Do not use on S-Hooks or Links!

P/N	DESCRIPTION	EACH
CC093	6" Cable Cutter	



ST364

These **CRIMPING TOOLS** have thick, comfortable vinyl handles. Made of aircraft-quality alloy steel.

P/N	DESCRIPTION	EACH
ST116	8" Crimping Tool For 1/16" Copper Oval and Stop Sleeves	
ST364	8" Crimping Tool For 3/64" Copper Oval and Stop Sleeves	



→ **NEW**

TL1228



→ **NEW**

TL1218 In Use

The **Jiffy Seal RATCHETING WRENCH** is an ingenious tool that tightens/loosens hex nuts and bodies in ventilation hoods. Its unique design fits into tight spaces easily and works with any 3/8" drive flexible T-handle. Made of heat-treated steel with carbonitride/zinc plating, the wrench automatically finds the right slot angle and indexes to the next position when in use. Wrenches and driver sold separately.

P/N	DESCRIPTION	EACH
→ TL388	1 1/2" Ratcheting Wrench For 3/8" and 1/2" Penetration Seals w/ 1/8" Hole	
→ TL1218	8" Crimping Tool For 3/8" and 1/2" Penetration Seals w/ 7/8" Hole	
→ TL1228	3/8" Drive Flexible T-Handle	



“GREASE-TITE” ADAPTERS

**Jiffy THREADED "GREASE-TITE" ADAPTERS** are UL listed, conforming to NFPA 96 requirements. Made of chrome-plated steel.

P/N	DESCRIPTION	H SIZE	P SIZE
QSA1	Pipe Adapter	7/8"	3/8"
QSA38	Pipe Adapter	1 1/8"	3/8"
QSA2	Pipe & Rigid Conduit	1 1/8"	1/2"
QSA3	Pipe Adapter	1 3/8"	3/4"
QSA4	Pipe Adapter	1 5/8"	1"
QSA5	Pipe Adapter	7/8"	1/4"

**COMPRESSION "GREASE-TITE" ADAPTERS** are UL listed and conform to NFPA 96 requirements. They provide a grease-tight seal without welding.

P/N	DESCRIPTION	H SIZE	P SIZE
QSA8	Pipe Adapter	1 1/8"	3/8"
QSA9	EMT/Conduit Adapter	1 1/8"	1/2"
QSA10	Pipe Adapter	1 1/8"	1/2"
QSA11	Pipe Adapter	1 3/8"	3/4"

UL listed **Jiffy PATCH "GREASE-TITE" SEALS** for patching unwanted holes without welding. Conforming to NFPA 96 requirements.

P/N	DESCRIPTION	H SIZE
QP1	Patch	1 1/8"–1 3/8"
QP2	Patch	7/8"–1 1/8"
QP3	Patch	1 5/8"–1 7/8"

UL listed **Jiffy CORNER PULLEY "GREASE-TITE" ADAPTERS** will screw directly onto the corner pulley for a quick 90° turn, when coming through the top of the hood.

P/N	DESCRIPTION	H SIZE
QSA12	Corner Pulley Adapter	1 1/8"
QSA13	Ansul-Style Corner Pulley Adapter	1 1/8"

A **Brooks** exclusive! This **EMT FITTING** is custom made to fit all threaded adapters quickly, easily, and without force. Since zinc die cast fittings can melt (when there's a fire) these fittings are a better choice because they're zinc-plated steel, and use inside a hood canopy guards against failure (due to high heat) and helps ensure proper fire suppression system operation.

P/N	DESCRIPTION	EACH
2232	Steel 1/2" EMT Fitting For Hood Seals/Link Brackets (Will Screw into QSA2)	



QSA2



QSA2 WITH CONDUIT FITTINGS



QSA8



QP1



QSA12



2232



## COMPRESSION CORNER PULLEYS

Brooks' high-temperature ball bearing **CORNER PULLEY** is UL listed with the **Amerex®** system and UL classified for **Ansul®, Kidde, Pyro-Chem®, and Range Guard®** systems, per NFPA 17 and 17A. Steel compression nuts eliminate thread stripping, and they have more threads than most, for a stronger, easier-to-install corner pulley. Ball bearing rollers are pressed into place and stay when you remove the cover too.

P/N	DESCRIPTION
CP5	Compression Corner Pulley

Brooks' high-temperature set screw **CORNER PULLEY** with ball bearing roller.

P/N	DESCRIPTION
CP8	Set Screw Corner Pulley

## Brooks' low-temperature "SWING" COVER CORNER PULLEYS.

P/N	DESCRIPTION
CP2	Swing Cover Corner Pulley
CP6	Conduit Corner Pulley
CP7	Threaded Corner Pulley

Brooks' **THREE-WAY CORNER PULLEYS** with dual rollers.

P/N	DESCRIPTION
CP3	3-Way Corner Pulley

## OEM CORNER PULLEYS

### Amerex® CORNER PULLEYS.

P/N	DESCRIPTION	EACH
→ AX16444	Compression Corner Pulley	
→ AX12506	Tee Pulley	

### Ansul® CORNER PULLEYS.

P/N	DESCRIPTION	EACH
A423250	Corner Pulley	
→ TY427929	Tee Pulley	

### Badger™ Range Guard® CORNER PULLEYS.

P/N	DESCRIPTION	EACH
B844648	Corner Pulley	
→ B843792	Tee Pulley	

### Kidde CORNER PULLEYS.

P/N	DESCRIPTION	EACH
K844648	Compression Corner Pulley	
→ K843792	Tee Pulley	

### Pyro-Chem® CORNER PULLEYS.

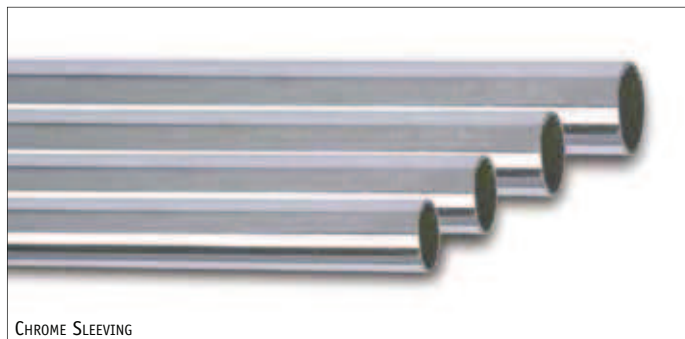
P/N	DESCRIPTION	EACH
PC423250	Compression Corner Pulley	
PC415670	Set Screw Corner Pulley	
→ TY427929	Tee Pulley	



**CHROME SLEEVING**

High-luster **CHROME SLEEVING** is made of 22-gauge steel (minimum) and the **CS25** is the actual chrome conduit size, so there's no need for sleeving.

P/N	DESCRIPTION
CS25	6' Chrome 1/2" Conduit
CS38	6' Chrome Sleeving for 3/8" Pipe
CS50	6' Chrome Sleeving for 1/2" Pipe
CS75	6' Chrome Sleeving for 3/4" Pipe
CS100	6' Chrome Sleeving for 1" Pipe



CHROME SLEEVING

Designed for conduit and pipe, **STAND OFF BRACKETS** are made from zinc-plated 16-ga steel, making pipe installations neat and rigid (pipes will not move). Conduit brackets line up to link bracket holes as indicated. Available in low- and high-profile versions. Priced and sold 25 per box.

P/N	DESCRIPTION	A	B	EACH
SBC05	Stand Off Bracket for 1/2" Conduit For Ansul, Amerex, Buckeye, Pyro-Chem, & LBK3	2 5/8"	1 7/8"	
SBC20	Stand Off Bracket for 1/2" Conduit For Range Guard & Kidde	3 1/4"	2 1/2"	
SBP10	Stand Off Bracket for 3/8" Pipe, Low Profile	2 1/4"	1 1/2"	
SBP38	Stand Off Bracket for 3/8" Pipe, High Profile	3 1/4"	2 1/2"	
SBP15	Stand Off Bracket for 1/2" Pipe, Low Profile	2 5/8"	1 7/8"	
SBP25	Stand Off Bracket for 1/2" Pipe, High Profile	3 1/4"	2 1/2"	

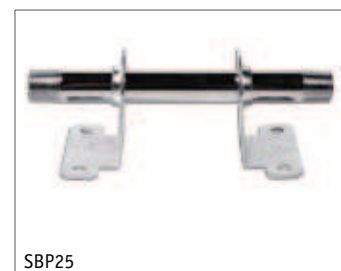
A= OVERALL HEIGHT OF BRACKET  
B= TO CENTER OF HOLE



SBC20



SBP15



SBP25

Heavy-duty **TUBING CUTTER** comes with a hardened steel reamer and spare cutting wheel.

P/N	DESCRIPTION	EACH
ITC1000	Tubing Cutter	
1000TC	Tubing Cutter, Domestic	
TCB	Extra Cutting Blades, Pkg/2	



ITC1000



1000TC

**BLACK PIPE NIPPLES**

Strong, lightweight **NIPPLE TOTE BOX** holds 1/2" and 3/8" nipples (close thru 6") and features a fold-away handle for easy storage. Box is constructed from 18-gauge epoxy-coated steel for long-lasting durability. Has 77 compartments and measures 10 5/8"L x 6 1/2"H x 7 3/8"W. Red.

P/N	DESCRIPTION	EACH
PNT1	Steel Nipple Tote Box	

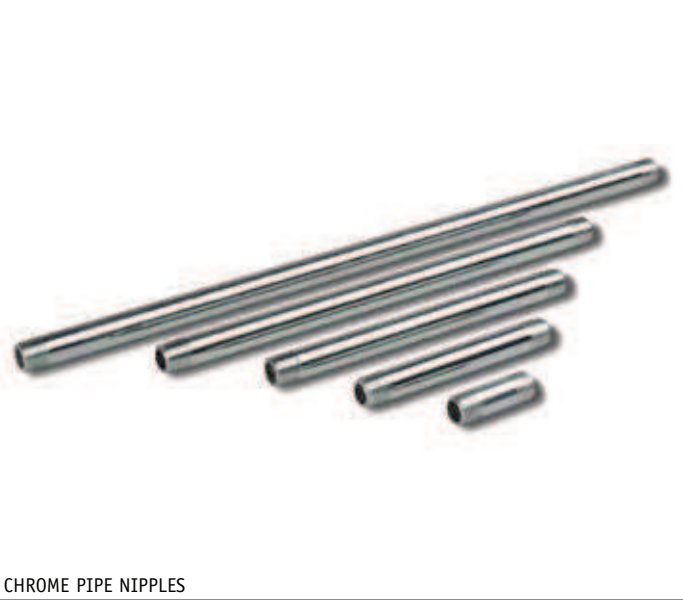


PNT1 (PIPE NIPPLES NOT INCLUDED)





BLACK PIPE NIPPLES



CHROME PIPE NIPPLES



N388410

**1/8" and 1/4" BLACK PIPE NIPPLES** are threaded on both ends. Sold in boxes of 25 and priced each.

P/N	DESCRIPTION
N1800	1/8" Close Black Pipe Nipple
N2500	1/4" Close Black Pipe Nipple
N2515	1/4" x 1 1/2" Black Pipe Nipple
N2520	1/4" x 2" Black Pipe Nipple
N2525	1/4" x 2 1/2" Black Pipe Nipple
N2530	1/4" x 3" Black Pipe Nipple
N2540	1/4" x 4" Black Pipe Nipple
N2550	1/4" x 5" Black Pipe Nipple
N2560	1/4" x 6" Black Pipe Nipple

**3/8" BLACK and 3/8" CHROME PIPE NIPPLES** are threaded on both ends. Pipe nipples come in boxes of 25 for each size/length (up to 12"). On the larger sizes, it's 10 per box for each size. Priced each.

BLACK		CHROME	
P/N	DESCRIPTION	P/N	DESCRIPTION EACH
N3800	3/8" Close	CRN3800	3/8" Close
N3815	3/8" x 1 1/2"	CRN3815	3/8" x 1 1/2"
N3820	3/8" x 2"	CRN3820	3/8" x 2"
N3825	3/8" x 2 1/2"	CRN3825	3/8" x 2 1/2"
N3830	3/8" x 3"	CRN3830	3/8" x 3"
N3835	3/8" x 3 1/2"	CRN3835	3/8" x 3 1/2"
N3840	3/8" x 4"	CRN3840	3/8" x 4"
N3845	3/8" x 4 1/2"	CRN3845	3/8" x 4 1/2"
N3850	3/8" x 5"	CRN3850	3/8" x 5"
N3855	3/8" x 5 1/2"	CRN3855	3/8" x 5 1/2"
N3860	3/8" x 6"	CRN3860	3/8" x 6"
N3880	3/8" x 8"	CRN3880	3/8" x 8"
N3810	3/8" x 10"	CRN3810	3/8" x 10"
N3812	3/8" x 12"	CRN3812	3/8" x 12"
<b>P/N DESCRIPTION</b>		<b>P/N DESCRIPTION</b>	
N3814	3/8" x 14"	CRN3816	3/8" x 16"
N3816	3/8" x 16"	CRN3818	3/8" x 18"
N3818	3/8" x 18"	CRN3824	3/8" x 24"
N3824	3/8" x 24"	CRN38300	3/8" x 30"
N38300	3/8" x 30"	CRN3836	3/8" x 36"
N3836	3/8" x 36"		
N3848	3/8" x 48"		

**1/2" BLACK PIPE NIPPLES** are threaded on both ends. Pipe nipples come in boxes of 25 for each size/length (up to 12"). On the larger sizes, it's 10 per box for each size. Priced each.

P/N	DESCRIPTION
N5000	1/2" Close Black Pipe Nipple
N5015	1/2" x 1 1/2" Black Pipe Nipple
N5020	1/2" x 2" Black Pipe Nipple
N5025	1/2" x 2 1/2" Black Pipe Nipple
N5030	1/2" x 3" Black Pipe Nipple
N5035	1/2" x 3 1/2" Black Pipe Nipple
N5040	1/2" x 4" Black Pipe Nipple
N5045	1/2" x 4 1/2" Black Pipe Nipple
N5050	1/2" x 5" Black Pipe Nipple
N5055	1/2" x 5 1/2" Black Pipe Nipple
N5060	1/2" x 6" Black Pipe Nipple
N5012	1/2" x 12" Black Pipe Nipple

P/N	DESCRIPTION
N5018	1/2" x 18" Black Pipe Nipple
N5024	1/2" x 24" Black Pipe Nipple
N5036	1/2" x 36" Black Pipe Nipple

Threaded **BLACK PIPE NIPPLES** in longer lengths save you money. Buy in packages of 10 and save even more. Cartons of 10 ship UPS. Priced each.

P/N	DESCRIPTION	EACH
N3884	3/8" x 84" Black Pipe Nipple	
N388410	3/8" x 84" Black Pipe Nipple, Pkg/10	
N5084	1/2" x 84" Black Pipe Nipple	
N508410	1/2" x 84" Black Pipe Nipple, Pkg/10	





**BLACK PIPE FITTINGS**

**90° ELBOWS**

P/N	DESCRIPTION	PKG QTY
BP1	Black, 1/4", 90° Elbow	35
BP2	Black, 3/8", 90° Elbow	45
BP3	Black, 1/2", 90° Elbow	50
BP4	Black, 3/4", 90° Elbow	35



BP3

**45° ELBOWS**

P/N	DESCRIPTION	PKG QTY
BP7	Black, 3/8", 45° Elbow	50
BP8	Black, 1/2", 45° Elbow	50
BP9	Black, 3/4", 45° Elbow	40



BP8

**90° REDUCING ELBOWS and STREET ELBOW.**

P/N	DESCRIPTION	PKG QTY
BP36	Black, 1/2" x 3/8", 90° Reducing Elbow	50
BP37	Black, 1/2" x 3/4", 90° Reducing Elbow	40
BP49	Black, 3/8", 90° Street Elbow	40



BP36

BP49

**TEES and REDUCING TEES.**

P/N	DESCRIPTION	PKG QTY
BP11	Black, 1/4" Tee	45
BP12	Black, 3/8" Tee	25
BP13	Black, 1/2" Tee	35
BP14	Black, 3/4" Tee	20
BP45	Black, 1/2" x 1/2" x 3/8" Bull Reducing Tee	20
BP52	Black, 1/2" x 1/2" x 3/4" Bull Reducing Tee	30



BP13

BP45

**COUPLINGS**

P/N	DESCRIPTION	PKG QTY
BP16	Black, 1/4" Coupling	40
BP17	Black, 3/8" Coupling	50
BP18	Black, 1/2" Coupling	40
BP19	Black, 3/4" Coupling	50



BP18

**REDUCING COUPLINGS**

P/N	DESCRIPTION	PKG QTY
BP26	Black, 3/8" x 1/4" Reducing Cplg.	30
BP28	Black, 1/2" x 3/8" Reducing Cplg.	40
BP29	Black, 3/4" x 1/2" Reducing Cplg.	60
BP27	Black, 1/4" x 1/8" Reducing Cplg.	50



BP28

**UNIONS**

P/N	DESCRIPTION	PKG QTY
BP21	Black, 1/4" Union	20
BP22	Black, 3/8" Union	20
BP23	Black, 1/2" Union	40
BP24	Black, 3/4" Union	40



BP23

BP44

**BUSHINGS**

P/N	DESCRIPTION	PKG QTY
BP38	Black, 3/8" x 1/4" Bushing	75
BP39	Black, 3/4" x 1/2" Bushing	40
BP44	Black, 1/2" x 3/8" Bushing	100
BP46	Black, 3/4" x 3/8" Bushing	40
BP47	Black, 1/2" x 1/4" Bushing	100



BP42

BP50

**LOCKNUTS**

P/N	DESCRIPTION	PKG QTY
BP41	Black, 3/8" Locknut	125
BP42	Black, 1/2" Locknut	125
BP43	Black, 3/4" Locknut	60

**PLUG**

P/N	DESCRIPTION	PKG QTY
BP48	Black, 1/4" Plug	100
BP50	Black, 3/8" Plug	100
BP51	Black, 1/2" Plug	50





The **FireTech™ FITTINGS TOTE TRAY** is ideal for organizing and carrying a wide variety of fittings. Manufactured from 18-gauge epoxy-coated steel for superior durability and strength. Features a fold-away handle for easy storage, seven compartments, and measures 15"L x 5"H x 10"W. Red.

P/N	DESCRIPTION	EACH
PFT2	Fittings Tote Tray	

PFT2 (CONTENTS NOT INCLUDED)

## CHROME PIPE FITTINGS

### 90° ELBOWS

P/N	DESCRIPTION	PKG QTY
CR1	Chrome, 1/4", 90° Elbow	35
CR2	Chrome, 3/8", 90° Elbow	45
CR3	Chrome, 1/2", 90° Elbow	50
CR4	Chrome, 3/4", 90° Elbow	35

### 45° ELBOWS

P/N	DESCRIPTION	PKG QTY
CR7	Chrome, 3/8", 45° Elbow	50
CR8	Chrome, 1/2", 45° Elbow	50

### 90° REDUCING ELBOW and STREET ELBOW.

P/N	DESCRIPTION	PKG QTY
CR36	Chrome, 1/2" x 3/8", 90° Reducing Elbow	50
CR49	Chrome, 3/8", 90° Street Elbow	40

### TEES and REDUCING TEES.

P/N	DESCRIPTION	PKG QTY
CR12	Chrome, 3/8" Tee	25
CR13	Chrome, 1/2" Tee	35
CR45	Chrome, 1/2" x 1/2" x 3/8" Bull Reducing Tee	20

### COUPLINGS

P/N	DESCRIPTION	PKG QTY
CR17	Chrome, 3/8" Coupling	50
CR18	Chrome, 1/2" Coupling	40
CR28	Chrome, 1/2" x 3/8" Reducing Coupling	40

### UNIONS

P/N	DESCRIPTION	PKG QTY
CR22	Chrome, 3/8" Union	20
CR23	Chrome, 1/2" Union	40
CR24	Chrome, 3/4" Union	40

### BUSHING

P/N	DESCRIPTION	PKG QTY
CR44	Chrome, 1/2" x 3/8" Bushing	100
→ CR50	Chrome, 3/8" Plug	100



CR2



CR7



CR36



CR49



CR12



CR17



CR28



CR22



CR44



**GAS VALVES**

**Pull-Tite ASCO® MECHANICAL GAS VALVES** are UL classified for use in **Range Guard®**, **Pyro-Chem®**, and **Kidde** fire systems, per NFPA 17 and 17A and listed with the **Amerex®** system. The largest size available is 3".

**NOTE:** Valve disassembly voids the manufacturer's warranty.

P/N	DESCRIPTION
GVA75	3/4" Mechanical Gas Valve
GVA100	1" Mechanical Gas Valve
GVA125	1 1/4" Mechanical Gas Valve
GVA150	1 1/2" Mechanical Gas Valve
GVA200	2" Mechanical Gas Valve
GVA250	2 1/2" Mechanical Gas Valve
GVA300	3" Mechanical Gas Valve



**Trip-to-Close ASCO® MECHANICAL GAS VALVES** are UL classified for use in **Ansul®** systems, and listed with the **Amerex®** system per NFPA 17 and 17A. The largest size available is 3".

**NOTE:** Valve disassembly voids the manufacturer's warranty.

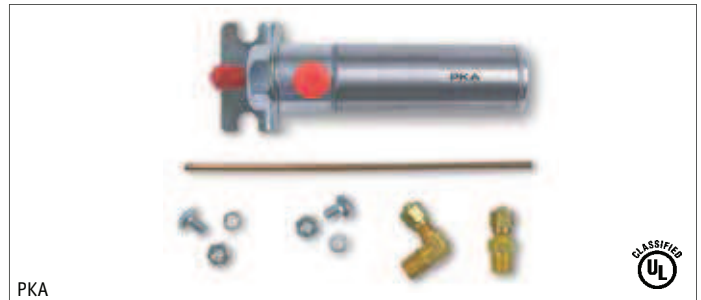
P/N	DESCRIPTION
GVB75	3/4" Mechanical Gas Valve
GVB100	1" Mechanical Gas Valve
GVB125	1 1/4" Mechanical Gas Valve
GVB150	1 1/2" Mechanical Gas Valve
GVB200	2" Mechanical Gas Valve
GVB250	2 1/2" Mechanical Gas Valve
GVB300	3" Mechanical Gas Valve
GVBPC	Cover Plate

For GVB-Style Gas Valve



**PNEUMATIC PISTON** for actuation of a mechanical gas valve (**GVB**) is UL classified for use in **Ansul®** systems, per NFPA 17 and 17A and manufacturer's installation instructions.

P/N	DESCRIPTION
PKA	Ansul-Style Pneumatic Piston Kit
PKAKIT	Replacement Hardware (Only)



**ASCO® ELECTRICAL GAS VALVES** are for use in all systems and come normally closed without power. The largest size available is 3".

**NOTE:** All valves must be mounted with the solenoid vertical and upright. Valve disassembly voids the manufacturer's warranty.

P/N	DESCRIPTION
GVC75	3/4", 110VAC Electric Gas Valve
GVC100	1", 110VAC Electric Gas Valve
GVC125	1 1/4", 110VAC Electric Gas Valve
GVC150	1 1/2", 110VAC Electric Gas Valve
GVC200	2", 110VAC Electric Gas Valve
GVC250	2 1/2", 110VAC Electric Gas Valve
GVC300	3", 110VAC Electric Gas Valve
GVC24100	1", 24V Electric Gas Valve
GVC24125	1 1/4", 24V Electric Gas Valve
GVC24150	1 1/2", 24V Electric Gas Valve
GVC24200	2", 24V Electric Gas Valve
COIL7	Replacement Coil
	For GVC75 Gas Valves
COIL8	Replacement Coil
	For GVC100-200 Gas Valves
COIL11	Replacement Coil
	For GVC250-300 Gas Valves
RCAP	Red Plastic Cap



## GAS VALVE ACCESSORIES

**GAS VALVE BOX** for use with **GVA** gas valve. (Use **Channellock® Locknut Pliers** for quick and easy adjustments of **GVNUT**).

P/N	DESCRIPTION
GVBOX	Box & Cover For GVA Valve
GVNUT	Special Nut For Fastening GVBOX to GVA Valve



GVBOX

**UNIVERSAL GAS VALVE KIT** fits all **GVA** gas valves. Comes with hardware to install the gas valve as a release-to-close or trip-to-close operation. (Use **Channellock® Locknut Pliers** for quick and easy adjustments of **GVNUT**).

P/N	DESCRIPTION
GVK	Universal Gas Valve Kit



GVK

**LOCKNUT PLIERS** for quick, easy adjustments of **GVNUT**. The thin profile is ideal for use in tight wire confined electrical boxes. Spring-loaded handles lock for easy storage and the handle shape allows for both right- and left-handed use.

P/N	DESCRIPTION	EACH
TL960	Locknut Pliers Fits Sizes: 1/2", 3/4", 1", 1 1/4", 1 1/2"	



TL960

TL960 In Use

**CABLE BLOCK** to be used with **GVA** valve on older **Kidde** systems. Complete with instructions.

P/N	DESCRIPTION	EACH
KCB*	Kidde Cable Block *WHILE QUANTITIES LAST!	



TL960 In Use

KCB



# SRR24 Now UL Listed!

**RESET RELAYS** are UL listed and required when using an electric gas valve. Wiring diagrams permanently attached inside the cover offers easy reference. Complete wiring and installation instructions are also included. Must be installed in accordance with system manufacturer's instructions (not included). Contacts are rated at 10 amps.

P/N	DESCRIPTION	EACH
SRR	Reset Relay, 110-120VAC	
SRR24	Reset Relay, 24V	



SRR

## RESET RELAYS AND CONTACTORS

**ELECTRICAL CONTACTORS** are UL recognized components.

P/N	DESCRIPTION
40A110	40A, 3-Pole Resistive, 110VAC
40A220	40A, 3-Pole Resistive, 220VAC
50A110	50A, 3-Pole Resistive, 110VAC
50A220	50A, 3-Pole Resistive, 220VAC
75A110	75A, 3-Pole Resistive, 110VAC
90A110	90A, 3-Pole Resistive, 110VAC

**STEEL ENCLOSURES** with baked on finish predrilled with mounting holes to fit the above electrical contactors.

P/N	DESCRIPTION
4050CE	Enclosure For 40/50 Amp, 3-Pole Contactors
50120CE	Enclosure For 50 Amp and Higher Contactors

The **P2RHK120 HORN STROBE** is UL listed for outdoor use and can operate in extreme temperatures (-40°F-151°F) and wet or dry conditions. Includes back box.

P/N	DESCRIPTION
P2RHK120	120VAC Outdoor Horn/Strobe w/ Box

The **AB6 ALARM BELL** is available in either 120VAC or 24V operation.

**NOTE:** NFPA requires an audible or visual indicator to show that the system has operated, that personnel response is needed, and that the system is in need of recharge.

P/N	DESCRIPTION
AB6	6" Alarm Bell (120VAC)
AB624	6" Alarm Bell (24V)
ABBB	Weatherproof Backbox For Alarm Bells



504A110



4050CE



P2RHK120



AB6

2014 © BROOKS EQUIPMENT COMPANY, LLC





HCSM



HCSD

The American-made **HOLECUTTING SYSTEM II** is offered with either a 1/2" Milwaukee® Holeshooter variable speed corded drill or a 1/2" DeWalt® 3-speed 18V cordless drill with two batteries and a charger. The patented **Holecutting System II** is designed to simplify and expedite the job of drilling holes in stainless steel, carbon steel, and other hardened metals. Stainless steel requires a low cutting speed of about 60 surface feet per minute (SFPM), roughly half that of low carbon steel, to minimize friction and heat build-up. The patented cutter design along with the coaxial speed reducer offers a 4:1 gear reduction for the cutter and no reduction for the pilot drill, making it ideal for cutting holes in stainless steel. The pilot drill features a 135° split-point design to ease the starting and centering of the hole. And an existing hole can be enlarged by simply nesting the current hole size cutter inside the new size cutter.

**SYSTEMS INCLUDES:**

Arbor, 4" Arbor Extension, 1/2" Stem Adapter, Cutting Lubricant Stick, Speed Reducer, 2 Pilot Drills, Loosening Washers, Hex-Key Wrench, 2 Open-End Wrenches, Clamp & Handle, Original Drill Motor Chuck, Cases, 5 Cutters—3/4", 7/8", 1 1/8", 1 3/8", & 1 5/8".

P/N	DESCRIPTION	EACH
HCSM	Complete Hole Cutting System w/ Milwaukee Drill	
HCSD	Complete Hole Cutting System w/ Cordless Dewalt Drill	



HC614



HC600

These patented **CUTTERS** were designed to withstand the hardness of stainless steel, making drilling holes easier than using a standard hole saw. Their three-tooth design increases cutting pressure for quicker cut holes, saving you money and increasing the cutter life. The **ARBOR** is used when placing the cutters into an ordinary drill chuck (without a speed reducer).

P/N	DESCRIPTION	EACH
HC614	7/8" Hole Cutter	
HC618	1 1/8" Hole Cutter	
HC622	1 3/8" Hole Cutter	
HC626	1 5/8" Hole Cutter	
HC600	Arbor	
HC437	Arbor Extension	
HC490	Replacement Collar	
HC455	Replacement Set Screw	
HC705	Cutting Lubricant Stick	



HC437



HC490



HC455



HC705



HC435

The 3/16" **PILOT DRILL BIT** is optimized for cutting stainless steel. Its 135° split-point design improves the ease of starting the hole and finish drilling. And you get "two in one", just turn it around and the other end is a brand new bit.

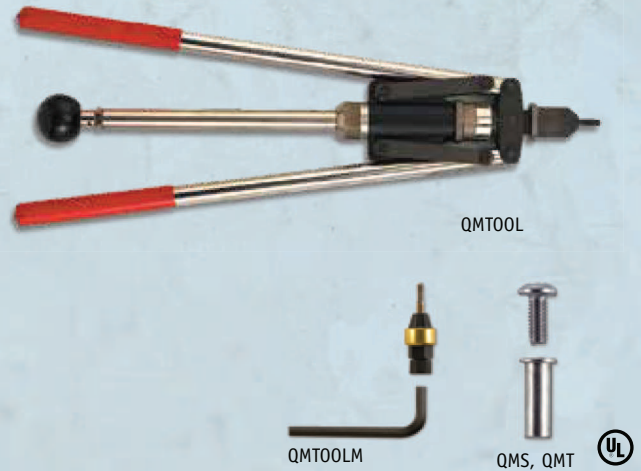
P/N	DESCRIPTION	EACH
HC435	3/16" Pilot Drill Bit	



# Meet Code Without Welding

**Quick Mount FASTENERS** and **INSTALLATION TOOLS** for hood penetration requirements. NFPA 96 requires any penetrations in the hood exterior to be sealed with a listed device or by a liquid-tight, continuous external weld. **Brooks' QMT** is the only UL listed product for mounting hardware in the hood or duct. By using the **Quick Mount** fasteners and **Seal-Fast** adapters, you can meet code without welding. Simple three-step installation: Drill hole with **QDRILL**, insert **QMT** through the hole, and clinch using a **QMTOOL**.

P/N	DESCRIPTION	EACH
QMT	Quick Mount Fastener, Pkg/10	
QMS	1/4" - 20 Screw, Pkg/100 <a href="#">For QMT</a>	
QMT00L	Lever-Type Installation Tool	
QMTA	Replacement Arbor <a href="#">For QMT00L</a>	
QMT00LM	Wrench-Type Installation Tool	
QDRILL	Quick Mount Drill Bit (Size "Q")	



**CARBIDE TIPPED HOLE SAWS** feature heat-resistant teeth for maximum performance and service life. Great for cutting stainless steel when using a lubricant at slow speeds. Arbor sold separately. **NOTE:** Cut hole in sponge, leave in saw, and soak with oil.

P/N	DESCRIPTION	EACH
HS214	7/8" Carbide Hole Saw	
HS218	1 1/8" Carbide Hole Saw	
HS222	1 3/8" Carbide Hole Saw	
HSA5	Arbor <a href="#">For 7/8", 1 1/8" Saw</a>	
HSA6	Arbor <a href="#">For 1 3/8" Saw</a>	
HSD297	1/4" Carbide Tip Pilot Drill Bit	
HSD851	1/4" Pilot Drill Bit	



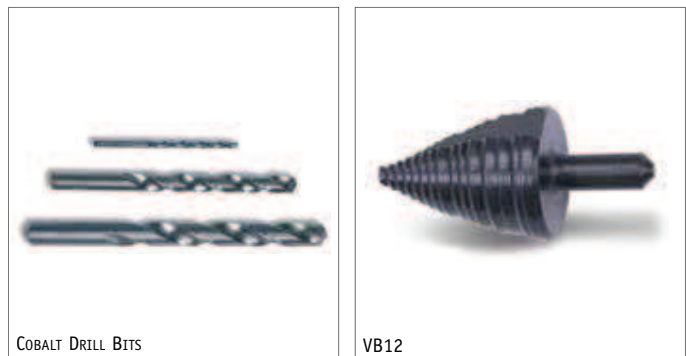
**VARI BIT STEP DRILL** cuts faster and lasts longer than hole saws. No pilot holes needed. Cuts up to a 1 3/8" hole. **NOTE:** Use lubricant and slow speed to maximize life of cutting edges.

P/N	DESCRIPTION	EACH
VB12	1 3/8" Step Drill Bit	



**COBALT DRILL BITS** are made of 8% cobalt HSS and designed for heavy-duty drilling through stainless steel.

P/N	DESCRIPTION	EACH
40324DB	3/8" Cobalt Drill Bit	
41327DB	#27 Cobalt Drill Bit <a href="#">For #10 Sheet Metal Screw</a>	
QDRILL	Quick Mount Drill Bit (Size "Q")	



For Additional Tools, See Section 10.



DDP7992,  
DDP841

The **Sidekick II** is a full-featured **THREADING MACHINE** with a manual opening die head for  $\frac{1}{4}$ " thru 1" NPT dies. Front and rear chucks are a great feature as are the safety auto shut-off, larger carriage, and unique one-blade reamer. The **Sidekick II** has a noise level of 88 dB and no-load RPM of 55. Net weight is 63 lbs. Comes with a three-year warranty that includes the electric motor and  $\frac{1}{2}$ "- $\frac{3}{4}$ " and 1" NPT dies. Optional threader stand available.

P/N	DESCRIPTION	EACH
DDP7992	Sidekick II Pipe Threading Machine	
DDP841	Portable, Folding Threader Stand <a href="#">Use w/ DDP7992</a>	
DDP60210	$\frac{1}{4}$ "- $\frac{3}{8}$ " NPT Dies <a href="#">For DDP7992</a>	
60210	$\frac{1}{4}$ "- $\frac{3}{8}$ " NPT Dies <a href="#">For DDP7992</a>	
60211	$\frac{1}{2}$ "- $\frac{3}{4}$ " NPT Dies <a href="#">For DDP7992</a>	

DDP7992



For optimal cutting performance, keep your pipe threaders filled with premium **THREAD-CUTTING OIL** from **Circle Cut**.

P/N	DESCRIPTION
TCOG	Thread Cutting Oil, 1 gal
TCOG5	Thread Cutting Oil, 5 gal

TCOG



TL3810



TL3914

Heavy-duty iron **PIPE WRENCHES** are cast from special steel alloy for long-lasting performance. Wrenches feature precision-hardened polished jaws and teeth for a tight grip on pipe.

P/N	DESCRIPTION	EACH
TL3808	8" Pipe Wrench	
TL3810	10" Pipe Wrench	
TL3814	14" Pipe Wrench	
TL3912*	12" Offset Pipe Wrench	
TL3914*	14" Offset Pipe Wrench	

\*WHILE QUANTITIES LAST!



ITC1000



1000TC

Heavy-duty **TUBING CUTTER** comes with a hardened steel reamer and spare cutting wheel.

P/N	DESCRIPTION	EACH
ITC1000	Tubing Cutter	
1000TC	Tubing Cutter, Domestic	
TCB	Extra Cutting Blades, Pkg/2	



TL2880

Easy-to-use **FLARING TOOL** efficiently flares the pipe ends of seven common sizes ( $\frac{3}{16}$ "- $\frac{5}{8}$ ").

P/N	DESCRIPTION	EACH
TL2880	Flaring Tool Set	

For Additional Tools, See Section 10.





Make changing links fast and easy with **LINKAGE PLIERS** from **Brooks**. No more scrunching fingers and busting knuckles trying to release cable pressure on those difficult scissor brackets. Simply place the specially curved jaws in the bracket holes and squeeze for fast, effortless link replacement. Steel construction. A must for **Ansul®** and **Amerex®** system maintenance personnel.

P/N	DESCRIPTION	EACH
TL915	System Linkage Pliers (Locking)	
TL910	System Linkage Pliers (Non-Locking)	



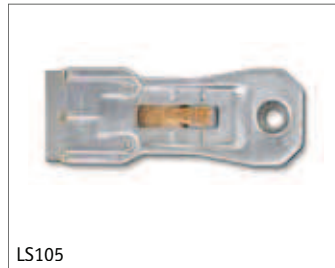
**HOOD GREASE SCRAPER** with 4" heavy-duty blade and a 6" handle. Designed for maximum hood cleaning efficiency. The **LABEL SCRAPER** with a standard razor blade has a patented trigger for a safe, easy way to adjust the blade.

P/N	DESCRIPTION	EACH
SB109	Razor Blades, Pkg/100	
LS105	Label Scraper w/ Razor Blade	
HS690	Hood Grease Scraper	
SB698	Replacement Blades, Pkg/10 For HS690	



Our **FOLDING RAZOR SCRAPER** has a quick release so you can fold it and tuck the blade away safely. 8" open, 5" closed.

P/N	DESCRIPTION	EACH
HS723	Folding Razor Scraper	



**25" TELESCOPIC MATCH EXTENDER** for those hard-to-reach pilot lights. Compresses to pen size and comes with a pocket clip.

P/N	DESCRIPTION	EACH
ME25	25" Telescopic Match Extender	



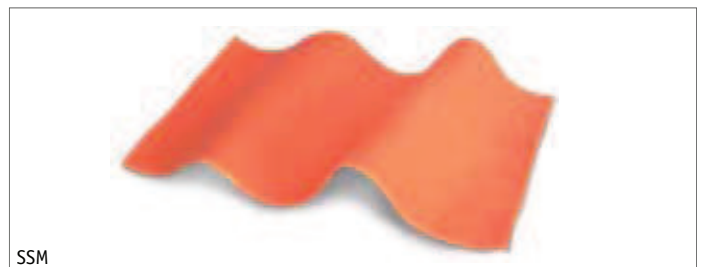
This magnetic **TORPEDO LEVEL** features a heavy-duty aluminum frame with a top-read window, V-grooved working edge for pipe work, and a powerful magnetic edge for hands-free use. Vials read plumb, level, and 45°.

P/N	DESCRIPTION	EACH
TL9919	9" Magnetic Torpedo Level	



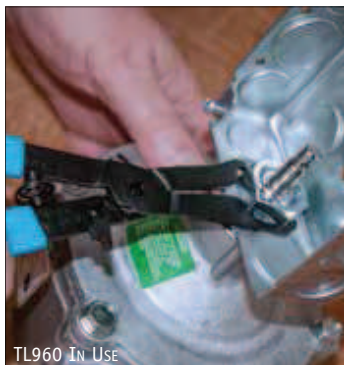
**SYSTEM SERVICE MAT** keeps your feet cool during system maintenance. And if you want to keep the mat clean and protect the appliance at the same time, cut a piece of plywood slightly smaller than the **System Service Mat** so that you can fold about an inch over to the back side and fasten it there. Then place (mat side down) over the appliance and step on the plywood to protect the appliance and the mat from contamination. After several uses remove the **System Service Mat**, turn it over, and reattach it to the plywood. Made of highly texturized silica-based yarns. Asbestos free. Good to 2,000°F. Measures 20" x 36".

P/N	DESCRIPTION	EACH
SSM	System Service Mat	





TL960



TL960 In Use

**FireTech's EZ FILL SIPHON** is not only easy but fast—transferring up to 3½ gallons of liquid per minute. The 6' clear hose is durable, flexible, non-toxic, and has a copper nipple that's anti-static and anti-spark for safety. Use to transfer liquids, including fuels, oils, water, paint, and more. To operate, make sure the liquid to be transferred is higher than the empty container. Submerge the **EZ FILL SIPHON** and shake it to start the transfer.

P/N	DESCRIPTION	EACH
EZFILL	Liquid EZ-Fill Siphon Hose	

Use these **LOCKNUT PLIERS** for quick and easy adjustments. The thin profile is ideal for use in tight wire confined electrical boxes or for tightening nuts on electrical fittings. Spring-loaded handles lock for safe storage, and the handle shape allows for both right- and left-handed use.

P/N	DESCRIPTION	EACH
TL960	Locknut Pliers Fits Sizes: ½", ¾", 1", 1¼", 1½"	



PG2 W/ASRP

## MANUAL PULL STATION GUARDS

Surface-mount **ROUND REMOTE PULL GUARD** for **Ansul®** or older **Kidde** remotes. Manual pull guards reduce false discharges of fire systems from accidental snagging of remote pulls on clothing, food carts, etc. Measures 2¾"D x 4⅜"Dia.

P/N	DESCRIPTION	EACH
PG1	Surface-Mount Round Remote Pull Guard	



PG3 W/B120110

Recessed **ROUND REMOTE PULL GUARD** for **Ansul®**. Manual pull guards reduce false discharges of fire systems from accidental snagging of remote pulls on clothing, food carts, etc. Measures 1½"D x 4¼"Dia.

P/N	DESCRIPTION	EACH
PG2	Recessed Round Remote Pull Guard	



PG4 W/A434618

Surface-mount **REMOTE PULL GUARD** for **Pyro-Chem®**, **Range Guard®**, **Kidde**, **Amerex®**, or **Buckeye**. Manual pull guards reduce false discharges of fire systems from accidental snagging of remote pulls on clothing, food carts, etc. Measures 5⅜"H x 4⅜"W x 3"D.

P/N	DESCRIPTION	EACH
PG3	Surface-Remote Pull Guard	

Surface-mount **ROUND REMOTE PULL GUARD** for **Amerex®** or **Ansul®**. Manual pull guards reduce false discharges of fire systems from accidental snagging of remote pulls on clothing, food carts, etc. Measures 2⅝"D x 6"Dia.

P/N	DESCRIPTION	EACH
PG4	Surface-Mount Round Remote Pull Guard	



**IDENTIFICATION SIGNS AND INSPECTION AND INSTALLATION FORMS**

**SPECIAL USE SIGNS.** Per NFPA, a placard identifying the use of the extinguisher as a secondary back-up means to the automatic fire suppression system shall be conspicuously placed near each portable fire extinguisher in the cooking area.

P/N	DESCRIPTION
BL189	K-Class "Fire Extinguisher" Arrow, 8" x 12"
A273	"Fire System to be Activated..." Sign, 5" x 3"



BL189

Adhesive-backed aluminum **HOOD IDENTIFICATION SIGNS** for suppression systems, come with red lettering and borders for added visibility.

P/N	DESCRIPTION
A272	"Remote Pull Station..." Sign, 5" x 3"
A276	"Fryer" Sign, 4" x 2"
A277	"Griddle" Sign, 4" x 2"
A278	"Broiler" Sign, 4" x 2"
A281	"Hood #1" Sign, 4" x 2"
A282	"Hood #2" Sign, 4" x 2"
A283	"Hood #3" Sign, 4" x 2"
A284	"Hood #4" Sign, 4" x 2"



A273

A272



A276

A277

Red, self-adhesive aluminum **"CAUTION" SIGN** for suppression system hoods.

P/N	DESCRIPTION
A106	"Caution..." Sign, 5" x 2"
A106S	Spanish "Caution..." Sign, 5" x 2"



A278

A283

Three-part carbonless **PRE-ENGINEERED SYSTEMS INSPECTION FORMS** transfers writing to parts two and three when writing on part one. Protects your company by providing a record of service performed. FLA100 is approved and required by the State of Florida.

P/N	DESCRIPTION	EACH
IF100	Pre-Engineered Systems Inspection Form, Pkg/100	
→ FLA100	Florida Pre-Engineered Systems Inspection Form, Pkg/100	



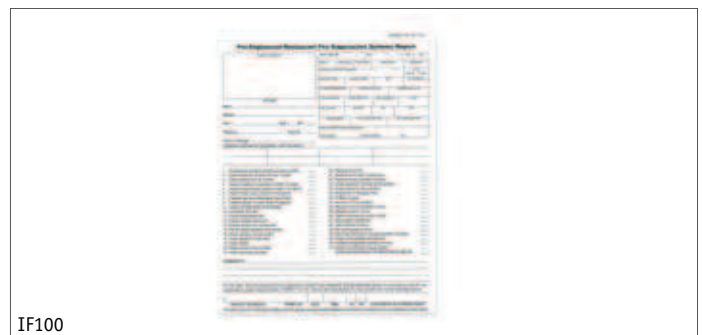
A106

Keep inspection forms clean and in pristine condition for the AHJ with Brooks' **ZIP-LOCK REPORT HOLDER**. Attach holder directly to equipment for easy access. Holds 8½" x 11" forms.

P/N	DESCRIPTION
ZLRH	Zip-Lock Report Holder

Present your customer with a **CERTIFICATE OF INSPECTION**. Measures 8½" x 11".

P/N	DESCRIPTION	EACH
CI100	Certificate of Inspection Form, Pkg/100	



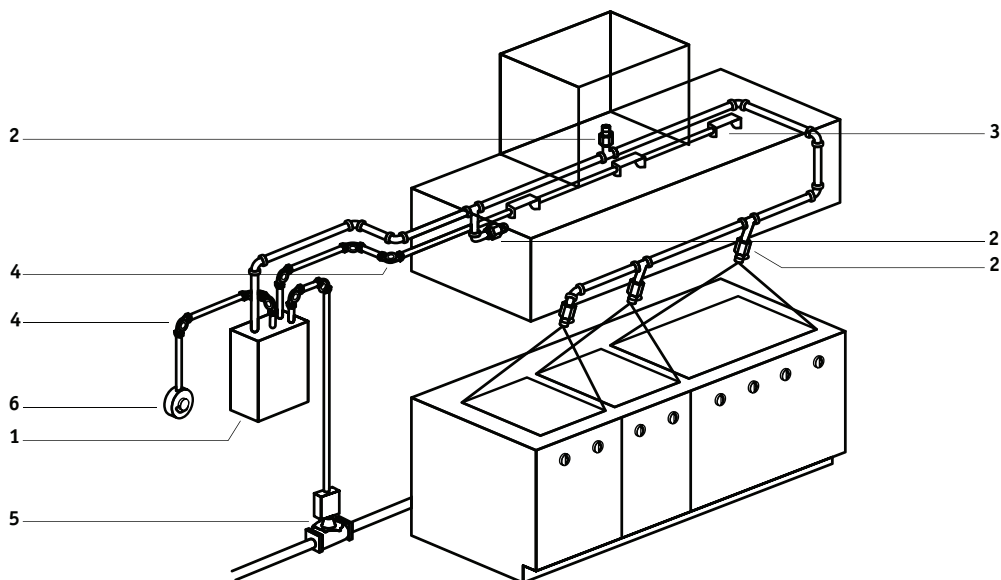
IF100



ZLRH

CI100





## AMEREX KITCHEN SYSTEM PARTS

### ENCLOSURES, TANKS, and BRACKETS. (FIG 1)

- | P/N         | DESCRIPTION  |
|-------------|--|
| → AX16921   | Model 2.75 Agent Cylinder, Filled & Charged                    |
| → AX13334   | Model 3.75 Agent Cylinder, Filled & Charged                    |
| → AX17379   | Model 4.75 Agent Cylinder, Filled & Charged                    |
| → AX15196   | Model 6.14 Agent Cylinder, Filled & Charged                    |
| → AX16920   | Bracket for 2.75, 3.75 & 4.75 gal Cylinder (w/ Swivel Adapter) |
| → AX17690   | Bracket for 3.75 gal Cylinder (w/ Swivel Adapter)              |
| → AX21583   | Bracket for 6.14 gal Cylinder (w/ Swivel Adapter)              |
| → ✓ AX18000 | MRM II w/ Red Enclosure  |
| → ✓ AX18001 | MRM II w/ SS Enclosure   |
| → ✓ AX10147 | Pneumatic Actuator   |
| → AX10199   | Discharge Adapter Kit, 6.14 gal Cylinder                       |
| → AX10173   | Vent Check   |
| → AX17484   | Low Pressure Module  |

✓ **Authorized Distributors Only**



### CARTRIDGE (FIG 1)

- | P/N       | DESCRIPTION                  |
|-----------|------------------------------|
| → AX12856 | Nitrogen Actuation Cartridge |



### CHEMICAL (FIG 1)

- | P/N       | DESCRIPTION                   |
|-----------|-------------------------------|
| → AX16924 | Amerex Wet Chemical, 2.75 gal |
| → AX12866 | Amerex Wet Chemical, 3.75 gal |
| → AX17450 | Amerex Wet Chemical, 4.75 gal |
| → AX15416 | Amerex Wet Chemical, 6.14 gal |



**MICROSWITCHES (FIG 1)**

P/N	DESCRIPTION
→ AX12524	SPDT Snap Action Microswitch w/18" Leads
→ AX18312	Alarm Microswitch



**NOZZLES (FIG 2)**

P/N	DESCRIPTION
→ AX16440	Nozzle Swivel Adapter
→ AX13729	Fryer, Griddle
→ AX11982	Appliance, Plenum
→ AX11983	Solid Fuel, Charbroiler
→ AX11984	Upright, Charbroiler
→ AX16416	Duct
→ AX14178	Zd, 4 Burner Range/Griddle
→ AX17461	Backshelf Manifold



**NOZZLE CAPS (FIG 2)**

P/N	DESCRIPTION
→ AX12334	Blow Off Cap, Standard
→ AX12504	Blow Off Cap, High Temperature



**DETECTORS and PARTS. (FIG 3)**

P/N	DESCRIPTION
→ AX12508	Detector Assembly (Bracket, Linkage, & Conduit Fittings)

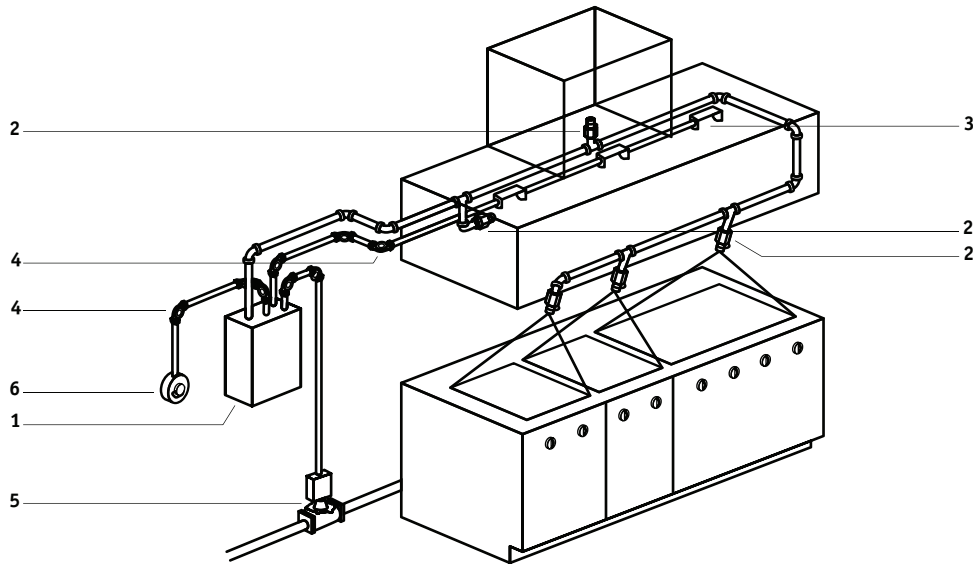


**CORNER PULLEYS (FIG 4)**

P/N	DESCRIPTION
→ AX12309	Amerex Corner Pulley
→ AX12506	Tee Pulley

EACH





## AMEREX KITCHEN SYSTEM PARTS (CONTINUED)

### GAS VALVES and ACCESSORIES. (FIG 5)

P/N	DESCRIPTION
→ AX12790	3/4" Mechanical Gas Valve
→ AX12791	1" Mechanical Gas Valve
→ AX12792	1 1/4" Mechanical Gas Valve
→ AX12793	1 1/2" Mechanical Gas Valve
→ AX12794	2" Mechanical Gas Valve
GVA250	2 1/2" Mechanical Gas Valve
GVA300	3" Mechanical Gas Valve
→ AX13622	Gas Valve Actuator Kit
→ AX12740	Gas Valve Trip Assembly



→ NEW

AX12740



GVA250



### MANUAL PULL STATIONS (FIG 6)

P/N	DESCRIPTION
→ AX21481	Manual Pull Station (Recess or Surface Mount)

### SERVICE TOOLS

P/N	DESCRIPTION	EACH
→ AX12738	Set-Up/Lock-Out Tool	EACH
→ AX13341	Cocking Tool	
→ AD36	Recharge Adapter	
→ AX12855	"T" Handle Adapter	
TL915	System Linkage Pliers (Locking)	
TL910	System Linkage Pliers (Non-Locking)	
EZFILL	Liquid EZ-Fill Siphon Hose	

EACH



→ NEW

AX21481



→ NEW

AX13341



→ NEW

AX12855

### SERVICE MANUAL

P/N	DESCRIPTION	EACH
→ AX20150	Service Manual	EACH

EACH



TL915



EZFILL



→ NEW

AX20150



**BRASS FLARE FITTINGS** for system installations. These meet SAE J513, as specified in the manufacturer's manual. Tees and connectors do not include flare nuts.

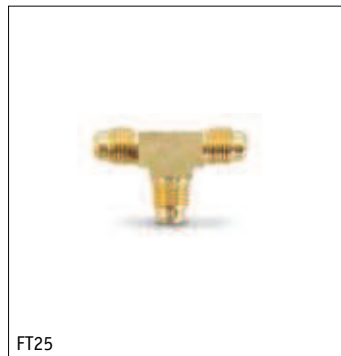
P/N	DESCRIPTION
FC25	1/4", 45° Flare x 1/4" NPT Male Connector
FN25	1/4", 45° Flare Nut
FT25	1/4", 45° Flare Tee
FC13	1/4", 45° Flare x 1/8" NPT Male Connector



FC25



FN25



FT25

**COPPER TUBING** for Amerex® system installations.

P/N	DESCRIPTION
ACT049	1/4", x 50' Copper Tubing (0.049" Wall)



ACT049

Easy-to-use **FLARING TOOL** efficiently flares the tubing ends of seven common sizes (3/16"–5/8").

P/N	DESCRIPTION	EACH
TL2880	Flaring Tool Set	



TL2880

Heavy-duty **TUBING CUTTER** comes with a hardened steel reamer and spare cutting wheel.

P/N	DESCRIPTION	EACH
ITC1000	Tubing Cutter	
1000TC	Tubing Cutter, Domestic	
TCB	Extra Cutting Blades, Pkg/2	

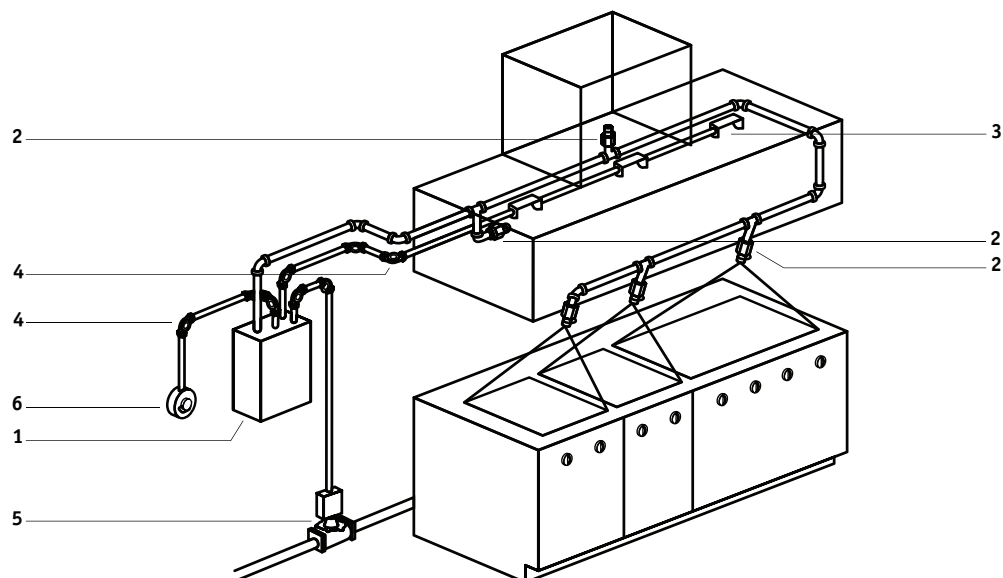


ITC1000



1000TC





## ANSUL KITCHEN SYSTEM PARTS

### AUTOMANS and TANKS. (FIG 1)

P/N	DESCRIPTION
→ ✓ A429853	Mechanical Automan*
→ ✓ A429856	Ansul Electrical Automan*
→ ✓ A429859	Ansul 24V Automan*
→ ✓ A429850	Regulated Actuator & Enclosure
→ ✓ A79493	OEM Mechanical Regulated Release
→ ✓ A418054	OEM Electric Regulated Release
→ ✓ A418691	OEM Regulated Actuator w/ Bracket
→ ✓ A418522	OEM Regulated Actuator w/o Bracket
→ A429870	Stainless Steel Enclosure (Only)
→ A429872	Two Tank Stainless Steel Enclosure (Only)
→ A429864	1.5 gal Stainless Steel Tank
→ A429862	3 gal Stainless Steel Tank
→ A429878	3 gal Stainless Steel Tank Bracket
→ A417582	8" Actuation Hose, Stainless Steel
→ A31809	16" Actuation Hose, Stainless Steel
→ A32336	24" Actuation Hose, Stainless Steel
→ A430815	42" Actuation Hose, Stainless Steel

\*ORDER TANKS AND CARTRIDGES SEPARATELY.

✓ **Authorized Distributors Only**

### CARTRIDGES and CAPS. (FIG 1)

P/N	DESCRIPTION
A7032	LT20R Nitrogen Cartridge
A5373	LT30R Nitrogen Cartridge
A73022	R102 Double Cartridge
A17492	R101-20 Cartridge
A15851	R101-30 Cartridge
A29187	LTA-101-30 Multiple Cartridge
→ A77251	LH Threaded Cartridge Shipping Cap

### CHEMICAL (FIG 1)

P/N	DESCRIPTION
A79372	Ansulex, 3 gal
→ A79694	Ansulex, 1½ gal
→ A426199	Ansulex, 55 gal Drum
A423320	PRX Liquid, 5 gal For K-Guard and Piranha
A430182	PRX Liquid, 6lit For K-Guard and Piranha
A79656	Flushing Concentrate, 32 oz



→ **NEW**

A429853



→ **NEW**

A429862



A7032, A5373



A79372



A79656





**MICROSWITCHES (FIG 1)**

P/N	DESCRIPTION
→ A423878	SPDT Microswitch
→ A423879	DPDT Microswitch
→ A423880	3PDT Microswitch
→ A423881	4PDT Microswitch
A428311	Alarm Release Microswitch
AES	Extension Stud, Pkg/6



A428311

**NOZZLES (FIG 2)**

P/N	DESCRIPTION
A418569	Nozzle Swivel Adapter
A419333	1F Nozzle (419344)
A419334	1/2 N Nozzle (419345)
A419335	1N Nozzle (419346)
A419336	1W Nozzle (419347)
A419337	2W Nozzle (419348)
A419338	3N Nozzle (419349)
A419339	230 Nozzle (419350)
A419340	245 Nozzle (419351)
A419341	260 Nozzle (419352)
A419342	290 Nozzle (419353)
A419343	2120 Nozzle (419354)
A423482	AP Nozzle (Piranha)
A426092	DL Nozzle (Piranha)
→ A434455	Henny Penny Nozzle Kit



A418569

A419333

A419334

A419335

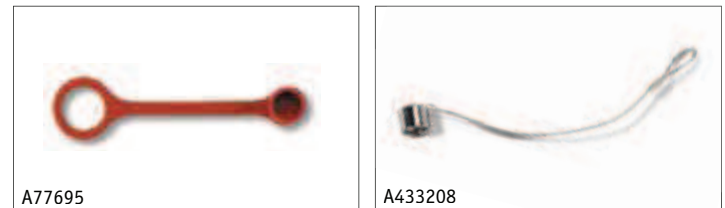


A434455

Replacement **NOZZLE CAPS.** (FIG 2)

**TIP:** Rubber blow-off caps are to be replaced annually.

P/N	DESCRIPTION
A77695	Rubber Blow-Off Cap, Pkg/50
A433208	Metal Blow-Off Cap, Pkg/10



A77695

A433208

**DETECTORS and PARTS.** (FIG 3)

P/N	DESCRIPTION
A435546	Terminal "Scissor"-Style Detector Kit
A435547	Series "Scissor"-Style Detector Kit
A435545	Replacement Linkage Scissors, Stainless Steel



A435547

A435545

**CORNER PULLEYS (FIG 4)**

P/N	DESCRIPTION
A423250	Ansul Corner Pulley
→ A415670	Ansul Set Screw Corner Pulley
→ TY427929	Ansul/Pyro-Chem Tee Pulley

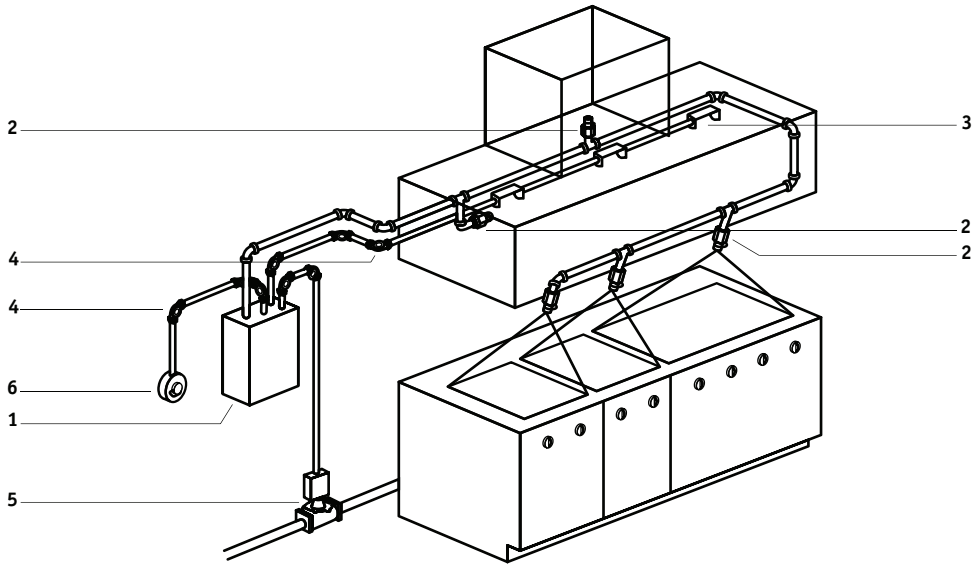
EACH



A423250

TY427929





**ANSUL KITCHEN SYSTEM PARTS (CONTINUED)**

**GAS VALVES and ACCESSORIES. (FIG 5)**

P/N	DESCRIPTION
→ A55598	3/4" Mechanical Gas Valve (Ansul)
→ A55601	1" Mechanical Gas Valve (Ansul)
→ A55604	1 1/4" Mechanical Gas Valve (Ansul)
→ A55607	1 1/2" Mechanical Gas Valve (Ansul)
→ A55610	2" Mechanical Gas Valve (Ansul)
GVB250	2 1/2" Mechanical Gas Valve (ASCO)**
GVB300	3" Mechanical Gas Valve (ASCO)**
→ A15733	Pneumatic Piston Kit (Ansul)
A416018	Cocking Lever, Mechanical Gas Valve

\*\*ANSUL VALVES INCLUDE THE ACTUATOR CYLINDER. ORDER P/N A15733 SEPARATELY FOR THE ASCO VALVES.



**REMOTE PULL STATIONS and ACCESSORIES. (FIG 6)**

P/N	DESCRIPTION
A434618	Remote Pull Station w/o Cable
→ A435960	Remote Pull Station w/ 50' Cable
→ A435725	Bearing & Bolt, Pkg/10 For Remote Pull
→ A435726	Pull Tabs, Pkg/10 For A436618
RPBOX	Non-Chrome Remote Pull Box
ARBOX	Chrome Remote Pull Box



**FLEXIBLE CONDUIT and ACCESSORIES.**

P/N	DESCRIPTION
→ A434525	Flexible Conduit, 500'
→ A435959	Flexible Conduit w/ Wire Rope, 500'
→ A435979	Flexible Conduit Strain Relief, Pkg/50
→ A434347	Flexible Conduit Inserts, Pkg/50
→ A436150	P-Clip, Pkg/50
→ A436063	Conduit Offset, Pkg/6



**ACCESSORIES**

P/N	DESCRIPTION
A79318	Regulator, R102
A417911	R102 Bursting Discs, Pkg/10
56909AS	Collar O-Ring, System Tank
A68800	Vent Plug
A79007	R102 Hose Assembly
A418511	Hose/Grommet Package
A417700	Siphon Tube Assembly
A416970	Bursting Disc Union Assembly
N1800	1/8" Close Nipple
	For Actuating Line
BP27	1/4" x 1/8" Reducing Cplg
	For Actuating Line



A79318



A417700

**SERVICE TOOLS**

P/N	DESCRIPTION
A15618	Cocking Lever & Bar
A14995	Cocking Lever (Only)
A14985	Locking Bar (Only)
A435790	Short Cocking Lever & Lock Bar
A416018	Cocking Lever, Mechanical Gas Valve
TL915	System Linkage Pliers (Locking)
TL910	System Linkage Pliers (Non-Locking)
EZFILL	Liquid EZ-Fill Siphon Hose
HTA42	Hydro Adapter, R102 w/ Internal Threads
→ A438031	Locking Pin



A416970



A416018 In Use



A15618



TL915

**SERVICE MANUALS**

P/N	DESCRIPTION
A2006144	UL300 Wet System Manual
A423385	Piranha System Manual

EACH



TL910



EZFILL

**ANSUL INDUSTRIAL SYSTEM PARTS**

**NOZZLES and CAPS.**

P/N	DESCRIPTION
A417649*	Nozzle, TFN 1/2
A426690*	Nozzle, TFN 3/4
A417938	Blow-Off Cap, TFN 1/2 Nozzle, Pkg/10
A417940	Blow-Off Cap, SCN 1 Nozzle, Pkg/10
A417941	Blow-Off Cap, OHN 1, OBN 1, TSN 1 Nozzle, Pkg/10

\*WHILE QUANTITIES LAST!



A417938



A417940



A417941

**ACCESSORIES**

P/N	DESCRIPTION
A13193	LT-10-R Cartridge, 10 lbs
A15850	101-10 Cartridge, 10 lbs
A415843	O-Ring
	For Stem (IND-X)
A416698	Valve Stem & O-Ring Assembly (IND-X)
A417809	Recharge Adapter (IND-X)
A416018	Cocking Lever, Mechanical Gas Valve
A26310	Cocking Lever, Ansul Automan II-C
A9336	Ansul "Plus-Fifty C" Dry Chemical, 50 lb Pail



A416698



A9336





CP5

**Brooks'** high-temperature, ball bearing **CORNER PULLEY** is UL classified for use in **Ansul®** systems, per NFPA 17 and 17A.

P/N	DESCRIPTION
CP5	Compression Corner Pulley



ASRP w/ RPT1

RPT1

**Ansul®**-style **REMOTE PULL** is UL classified for use in **Ansul** systems, per NFPA 17 and 17A.

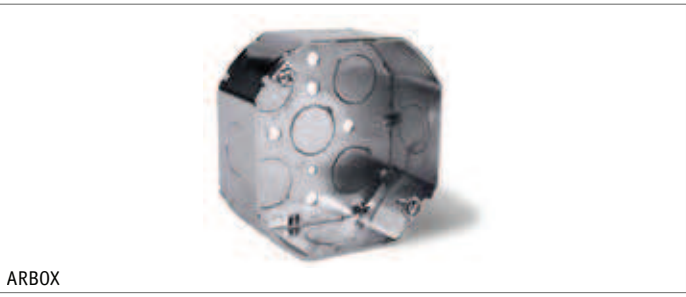
P/N	DESCRIPTION
ASRP	Ansul-Style Remote Pull
RPT1	ASRP Stainless Steel Trim
RSS	Set Screw, Pkg/10 <a href="#">For ASRP Break Rod Post</a>



ASBR

**BREAK RODS** for **Ansul®** remote pull and **ASRP**.

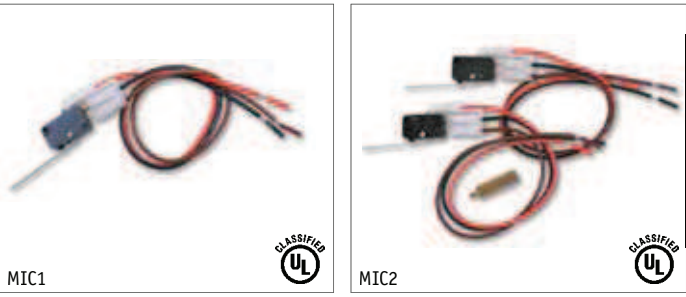
P/N	DESCRIPTION
ASBR	Ansul-Style Remote Break Rods, Pkg/10



ARBOX

**JUNCTION BOX** for mounting remote pulls.

P/N	DESCRIPTION
RPBOX	Non-Chrome Remote Pull Box
ARBOX	Chrome Remote Pull Box

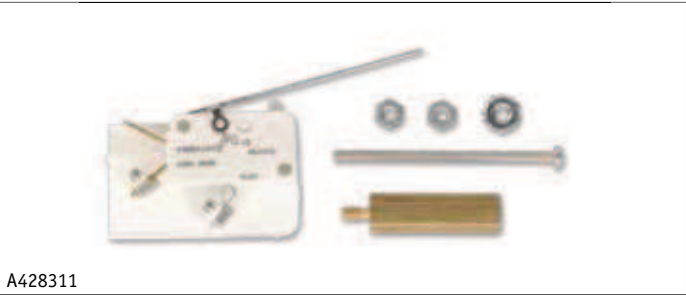


MIC1

MIC2

UL classified **Ansul®**-style **MICROSWITCHES**, complete with wiring harness and hardware.

P/N	DESCRIPTION
MIC1	Ansul-Style SPDT Microswitch
MIC2	Ansul-Style DPDT Microswitch
A428311	Ansul Alarm Microswitch
AES	Extension Stud <a href="#">To add more Switches</a>



A428311

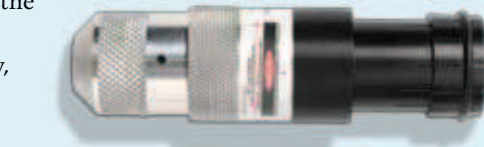


## Take The Guesswork Out Of Installation

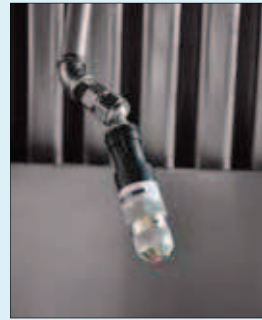
Precisely provide protection where it is needed with the **NOZZLE AIMING DEVICE**. Just mount it directly onto a nozzle, and the aiming device uses a small laser light to reflect on the surface at which you are aiming. Move the nozzle until it's aimed correctly, then tighten it into place.

**NOTE:** Adapter for nozzle aiming device sold separately.

P/N	DESCRIPTION
PC551265	Nozzle Aiming Device (Only)
PC550926	Pyrochem Adapter, Black <a href="#">For Aiming Device</a>
A431186	Ansul Adapter, White <a href="#">For Aiming Device</a>
→ EL1CR2	Replacement Battery, Pkg/2



EACH PC551265 w/ PC550926



PC551265 w/ PC550926 IN USE

**Dow Corning® SILICONE GREASE NO. 111** is recommended by **Ansul®** for use with rubber and metal blow-off caps on discharge nozzles. Protects the nozzle orifice and the blow-off caps. Must be reapplied at each semi-annual maintenance examination.

P/N	DESCRIPTION	EACH
SL111	Nozzle Lubricant	



SL111

UL classified **Ansul®**-style aluminum **BURSTING DISC** with soft vinyl washer. For dry systems only. UL classification provided only on unbroken packages of 25 discs.

P/N	DESCRIPTION
BDA	Ansul-Style Aluminum Bursting Disc



BDA



**Ansul®**-style **PNEUMATIC PISTON** for actuation of a mechanical gas valve. UL classified for use in **Ansul** systems, per NFPA 17 and 17A.

P/N	DESCRIPTION
PKA	Ansul-Style Pneumatic Piston Kit
PKAKIT	Replacement Hardware (Only)



PKA



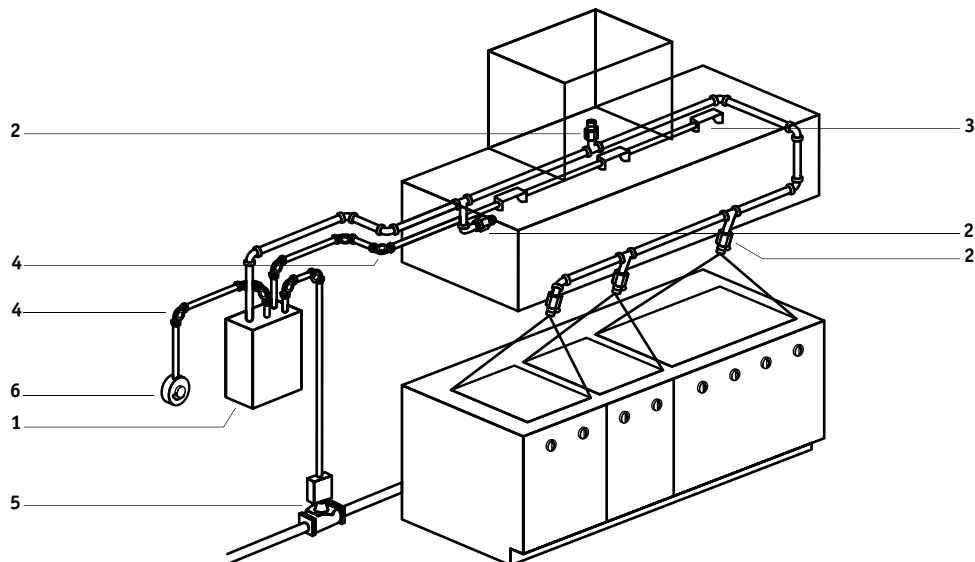
**REGULATOR TEST KIT** for testing the **Ansul® Automan Regulator** (as required every 12 years, per the **Ansul** maintenance manual).

P/N	DESCRIPTION	EACH
RTK	R-102 Regulator Test Kit	
RTK6	RTK Gauge, 300 psi	



RTK





## KIDDE AND BADGER RANGE GUARD SYSTEM PARTS

### CYLINDERS, CONTROL HEADS, and BRACKETS. (FIG 1)

- | P/N          | DESCRIPTION                               |
|--------------|---|
| → K120001    | Kidde WHDR-125 Charged Cylinder, 1.25 gal |
| → B120001    | Badger RG - 1.25 gal Cylinder/Valve       |
| → K120002    | Kidde WHDR-260 Charged Cylinder, 2.6 gal  |
| → B120002    | Badger RG - 2.5 gal Cylinder/Valve        |
| → K120003    | Kidde WHDR-400S Charged Cylinder, 4 gal   |
| → B120003    | Badger RG- 4 gal Short Cylinder/Valve     |
| → K120006    | Kidde WHDR-400M Charged Cylinder, 4 gal   |
| → B120006    | Badger RG - 4 gal Medium Cylinder/Valve   |
| → K120005    | Kidde WHDR-600 Charged Cylinder, 6 gal    |
| → B120005    | Badger RG - 6 gal Cylinder/Valve          |
| → KR844908   | Discharge Adapter Kit                     |
| → ✓ K1200992 | Kidde New XV Control System               |
| → ✓ B1200992 | Badger New UHC Control System             |
| → ✓ K1200101 | Kidde KRS 50 Control Box Assembly         |
| → ✓ B1200101 | Badger A+ Control Box Assembly            |
| → ✓ KR120042 | System Valve Actuator                     |
| → KR045001   | High-Pressure Hose, 7 1/2"                |
| → KR045002   | High-Pressure Hose, 24"                   |
| → KR045003   | High-Pressure Hose, 60"                   |
| → KR9197430  | Wall Bracket, 1.25 gal Cylinder           |
| → KR9197263  | Wall Bracket, 2.6 gal Cylinder            |
| → KR9197415  | Wall Bracket, 4 gal Short Cylinder        |
| → KR9197414  | Wall Bracket 4 gal Medium Cylinder        |
| → KR100013   | Shelf Bracket, 4 & 6 gal Med Cylinders    |
| → KR100010   | Floor Mtg Kit, 4 & 6 gal Med Cylinders    |
- Requires KR 100013 Shelf Bracket  
 ✓ Authorized Distributors Only

### ACTUATOR CARTRIDGES (FIG 1) KR120043 and

KR235557 must be periodically replaced in accordance with the **Kidde/Range Guard** manual. Refer to manual for replacement intervals and installation instructions. **KR120044** is a test cartridge used during semi-annual and annual service only.

**TIP:** Make sure to check cartridge weight before installation.

- | P/N      | DESCRIPTION  |
|----------|--|
| KR120043 | Nitrogen Actuator Cartridge<br><i>XV Control</i>         |
| KR235557 | 12gm CO <sub>2</sub> Actuator Cartridge<br><i>KRS-50</i> |
| KR120044 | Nitrogen Test Cartridge<br><i>XV Control</i>             |



**CHEMICAL (FIG 1)**

P/N	DESCRIPTION
KR120030	APC Wet Chemical, 1.25 gal
KR120031	APC Wet Chemical, 2.6 gal
KR120032	APC Wet Chemical, 4 gal
KR120033	APC Wet Chemical, 6 gal



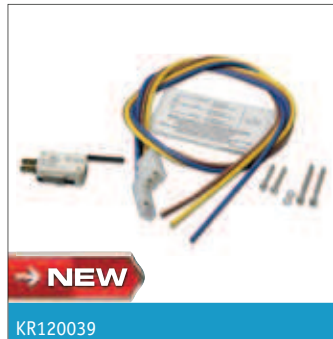
KR120031



KR120032

**MICROSWITCHES (FIG 1)**

P/N	DESCRIPTION
→ KR120039	SPDT Microswitch System <i>XV Control</i>
KR120047	Alarm Release Microswitch <i>XV Control</i> <i>XV Control</i>
→ KR97227	SPDT Microswitch <i>KRS-50</i>
→ KR97228	DPDT Microswitch <i>KRS-50</i>



KR120039



KR120047

**NOZZLES (FIG 2)**

P/N	DESCRIPTION
KR120021	Swivel Adapter, 3/8"
KR120011	ADP Nozzle
KR120012	F Nozzle
KR120013	GRW Nozzle
KR120014	R Nozzle
KR120015	DM Nozzle
KR120022	LPF Nozzle
KR120024	LPR Nozzle



KR120021



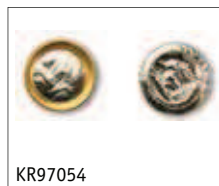
KR120011



KR120014

**NOZZLE SEALS and CAPS. (FIG 2)**

P/N	DESCRIPTION
KR97054	Foil Nozzle Seal/Disc, Pkg/10
KR97290	Chrome Nozzle Cap, Pkg/10
KR120026	Nozzle Cap (LPR Nozzle Only)



KR97054



KR97290



KR120026

**DETECTORS (FIG 3)**

P/N	DESCRIPTION
→ KR804548	Link Detector Kit <i>XV Control</i>
→ KR120064	Universal Link Detector Kit



KR804548



B844648

**CORNER PULLEYS (FIG 4)**

P/N	DESCRIPTION
K844648	Kidde Corner Pulley
B844648	Badger Corner Pulley
→ KR843792	Kidde/Badger Double Tee Pulley

EACH

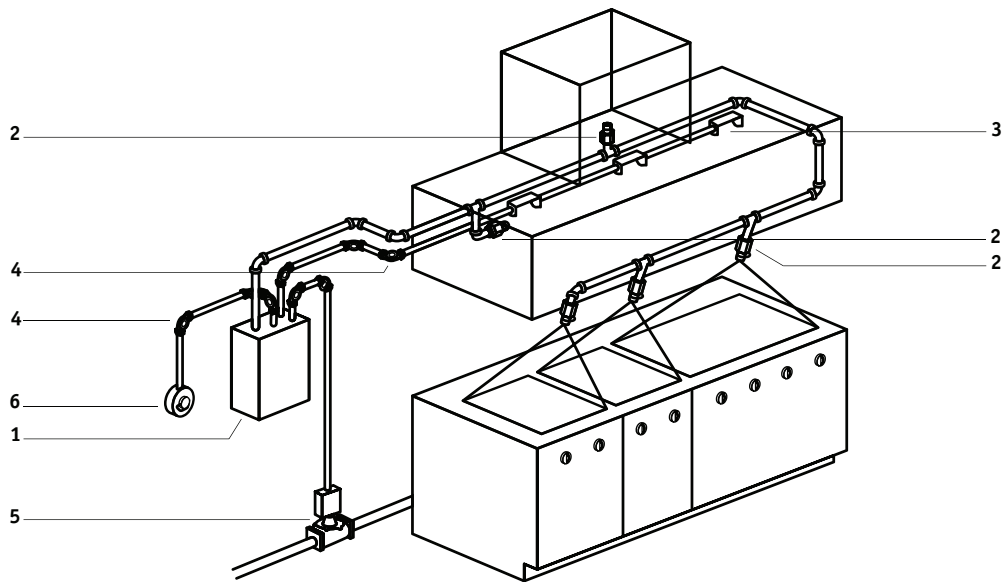
**GAS VALVES (FIG 5)**

P/N	DESCRIPTION
→ KR120071	3/4" Mechanical Gas Valve
→ KR120072	1" Mechanical Gas Valve
→ KR120073	1 1/4" Mechanical Gas Valve
→ KR120074	1 1/2" Mechanical Gas Valve
→ KR120075	2" Mechanical Gas Valve
→ KR120076	2 1/2" Mechanical Gas Valve
→ KR120077	3" Mechanical Gas Valve



KR100001





## KIDDE AND BADGER RANGE GUARD SYSTEM PARTS (CONTINUED)

### REMOTE PULL STATIONS (FIG 6)

P/N	DESCRIPTION
K120110	Kidde Remote Manual Release
B120110	Badger Remote Manual Release

### ACCESSORIES

P/N	DESCRIPTION
KR120067	Valve Assembly Rebuild Kit
KR120046	Rebuild Kit, XV Control System Valve
→ KR237167	Piercing Pin, Yellow, Pkg/10
→ KR197215	Piercing Pin, (KRS50), Pkg/10
KR490004	Valve Stem Snap Ring, Pkg/10
OR43	O-Ring, Valve Neck (56610327)
OR4	O-Ring, Valve Stem
KR1419239	O-Ring, Puncture Stem
KR97213	Flat Gasket, Valve Body, & XV Control
KR236204	Flat Gasket, XV Receiver, XV Control, & KRS50
KR97220	Cable Tensioning Block, A+ Control, & KRS50
KR844908	Discharge Adapter Kit
KR257754	Safety Plug
KR96984	Vent Plug
KR877810*	Vent Plug
GPC175	Wet Chemical Gauge, 175 psi
GPC225	Wet Chemical Gauge, 225 psi
B120009	Valve Assembly for Range Guard Cylinders

SEE PAGE 208  
SEE PAGE 208

### SERVICE TOOLS

P/N	DESCRIPTION
KR253538	Crimp Tool
KR255096	Valve Top Protection Plate
KR255681	Anti-Recoil Plate
HTA24	Hydrotest Adapter
KR9197108	Keeper Pin

### MANUALS

P/N	DESCRIPTION
RG27100	Wet System Manual
K122000	Kidde Wet System Manual



K120110



B120110



KR120067



KR120046



KR97220



KR844908



KR257754



KR96984





**OLDER RANGE GUARD PARTS**

UL classified **Range Guard**®-style **MICROSWITCHES** for older control heads, complete with wiring harness and hardware.

P/N	DESCRIPTION
MIC4	Range Guard-Style SPDT Microswitch
MIC5	Range Guard-Style DPDT Microswitch
MIC6	Range Guard-Style SPDT "A+" Series Microswitch
MIC7	Range Guard-Style DPDT "A+" Series Microswitch



**MISCELLANEOUS PARTS**

P/N	DESCRIPTION
RG118031	System Gauge, 175 psi
RGVS	Valve Stem For Old RG Cylinder
RG97009	Cocking Tool For Mechanical Control Head

**Brooks'** high-temperature ball bearing **CORNER PULLEY** is UL classified for use in **Kidde**, and **Range Guard**® systems, per NFPA 17 and 17A.

P/N	DESCRIPTION
CP5	Compression Corner Pulley



**CO<sub>2</sub> ACTUATOR CARTRIDGE** UL Classified for **Kidde** and **Range Guard**®. Actuator cartridges and o-rings must be periodically replaced in accordance with the Kidde or Range Guard manual. Refer to manual for replacement intervals and installation instructions.

**TIP:** Make sure to weigh cartridge weight before installation.

P/N	DESCRIPTION
KRC	12gm CO <sub>2</sub> Actuator Cartridge, Pkg/3

**BRASS FLARE FITTINGS** for system installations. These meet SAE J513, as specified in the manufacturer's manual. Tees and connectors do not include flare nuts.

P/N	DESCRIPTION
FC25	1/4", 45° Flare x 1/4" NPT Male Connector
FN25	1/4", 45° Flare Nut
FT25	1/4", 45° Flare Tee
FC13	1/4", 45° Flare x 1/8" NPT Male Connector



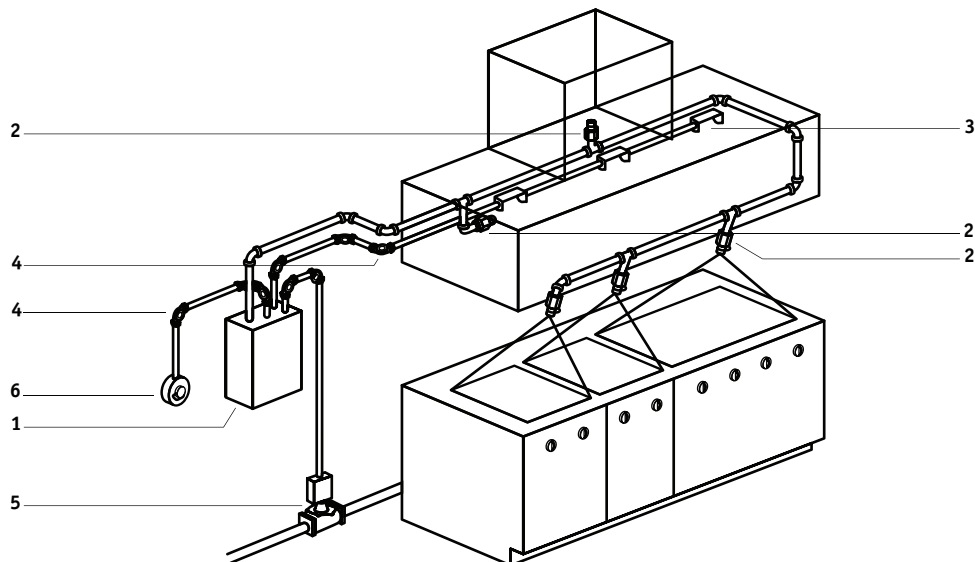
**COPPER TUBING** for system installations.

P/N	DESCRIPTION
CT50	1/4", x 50' Copper Tubing (1/32" Wall)

**KIDDE CO<sub>2</sub> SYSTEM ADAPTER**

P/N	DESCRIPTION
KC02	CO <sub>2</sub> System Adapter





## PYRO-CHEM KITCHEN SYSTEM PARTS

### CYLINDERS, ENCLOSURES, and BRACKETS. (FIG 1)

P/N	DESCRIPTION
→ PC553163	PCL 160 Charged Cylinder, 1.6 gal
→ PC551194	PCL 300 Charged Cylinder, 3 gal
→ PC551193	PCL 460 Charged Cylinder, 4.6 gal
→ PC551196	PCL 600 Charged Cylinder, 6 gal
→ PC550053	MB-1 Cylinder Bracket
→ PC550054	MB-15 Cylinder Bracket
→ PC550966	EN-S Enclosure
	<i>For Secondary Cylinders</i>
→ PC550853	MB-P2 Control Head Mounting Bracket
→ PC550104	PAC-10 Pneumatic Actuating Cylinder
→ PC550093	PAC-100 Pneumatic Actuating Cylinder
→ PC550829	Pneumatic Actuating Adapter
PC417582	8" Actuation Hose, Stainless Steel
PC31809	16" Actuation Hose, Stainless Steel
PC32336	24" Actuation Hose, Stainless Steel
PC430815	42" Actuation Hose, Stainless Steel



### CARTRIDGE (FIG 1)

Actuator cartridges and o-rings must be periodically replaced in accordance with the **Pyro-Chem**® manual. Refer to manual for replacement intervals and installation instructions.

**TIP:** Make sure to check cartridge weight before installation.

P/N	DESCRIPTION
→ PC551059	16gm CO <sub>2</sub> Actuator Cartridge (Sold Individually)
PC55531	O-Ring, Actuator Cartridge



### CHEMICAL (FIG 1)

P/N	DESCRIPTION
→ PC553176	RL-160, 1.6 gal Recharge Agent
PC551188	RL-300, 3.0 gal Recharge Agent
PC79656	Flushing Concentrate, 32 oz



**MICROSWITCHES (FIG 1)**

P/N	DESCRIPTION
PC550227	SPDT Microswitch, MCH Head
PC550237	DPDT Microswitch, MCH Head
→ PC551154	SPDT Microswitch, MCH3 Head
→ PC551155	DPDT Microswitch, MCH3 Head
→ PC551156	3PDT Microswitch, MCH3 Head
→ PC551157	4PDT Microswitch, MCH3 Head
PC550077	Alarm Microswitch



**NOZZLES (FIG 2)**

P/N	DESCRIPTION
PC418569	Swivel Adapter
PC551026	1L Nozzle
PC551027	2L Nozzle
PC551028	2H Nozzle
PC551029	1H Nozzle
PC551038	2D Nozzle



Replacement **NOZZLE CAPS. (FIG 2)**

**NOTE:** Pyro-Chem® requires that the rubber caps (PC550016) be replaced annually.

P/N	DESCRIPTION
PC623	NL Series Nozzle Cap
PC550016	Rubber Nozzle Cap, Pkg/12
PC551530	Nozzle O-Ring, (PC625), Pkg/10



**DETECTORS and PARTS. (FIG 3)**

P/N	DESCRIPTION
→ PC550131	FLK-1 Link Bracket Kit, 10"
→ PC550132	FLK-1A Link Bracket Kit, 8"
PCFLH	Fusible Link Hanger

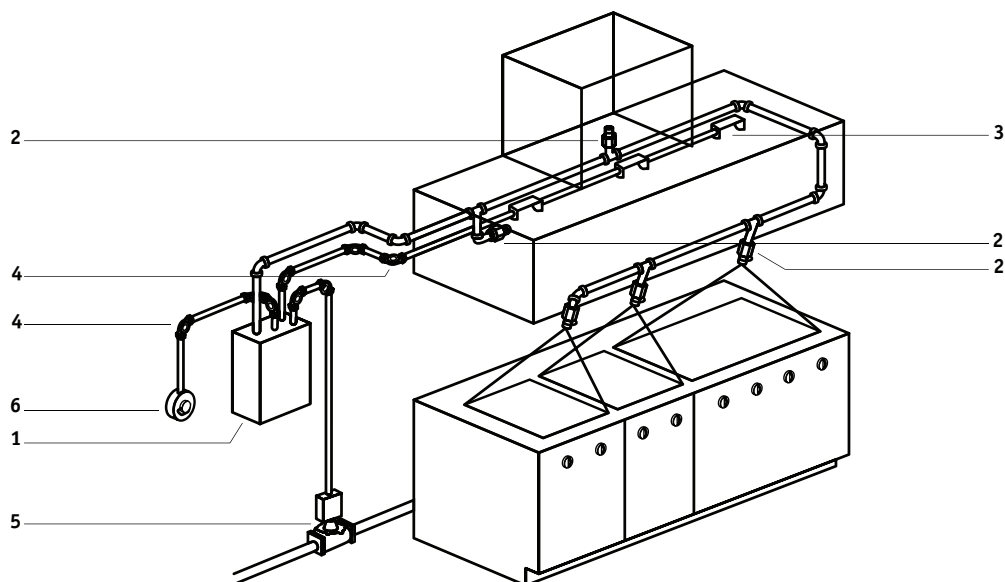


**CORNER PULLEYS (FIG 4)**

P/N	DESCRIPTION
PC423250	Corner Pulley, Compression
→ PC415670	Corner Pulley, Set Screw
TY427929	Tee Pulley

EACH





## PYRO-CHEM KITCHEN SYSTEM PARTS (CONTINUED)

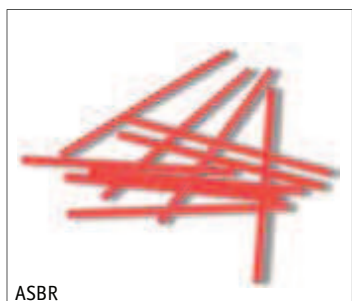
### GAS VALVES (FIG 5)

P/N	DESCRIPTION
→ PC550593	3/4" Mechanical Gas Valve
→ PC550594	1" Mechanical Gas Valve
→ PC550595	1 1/4" Mechanical Gas Valve
→ PC550596	1 1/2" Mechanical Gas Valve
→ PC551049	2" Mechanical Gas Valve
→ PC550185	2 1/2" Mechanical Gas Valve
→ PC550186	3" Mechanical Gas Valve



### REMOTE PULL STATION (FIG 6)

P/N	DESCRIPTION
PC551074	Remote Pull (RPSM)
→ PC551166	Electrical Remote Pull
ASBR	Replacement Remote Break Rods, Pkg/10



### FLEXIBLE CONDUIT and ACCESSORIES.

P/N	DESCRIPTION
→ A434525	Flexible Conduit, 500'
→ A435959	Flexible Conduit w/ Wire Rope, 500'
→ A435979	Flexible Conduit Strain Relief, Pkg/50
→ A434347	Flexible Conduit Inserts, Pkg/50
→ A436150	P-Clip, Pkg/50
→ A436063	Conduit Offset, Pkg/6



### ACCESSORIES

P/N	DESCRIPTION
PC550698	Wet Valve Rebuild Kit
PC551061	Regulator Rebuild Kit
GPC225	Wet Chemical Gauge, 225 psi
PC550716	O-Ring, Wet Valve Neck (420716)



**SERVICE TOOLS**

P/N	DESCRIPTION
PC550788	Wet Valve Tool
PC551240	Recharge Adapter For Kitchen Knight II
HTA41	Hydrotest Adapter
EZFILL	Liquid EZ-Fill Siphon Hose

EACH



EZFILL

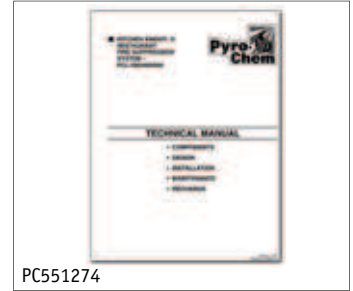


PC550788

**SERVICE MANUAL**

P/N	DESCRIPTION
PC551274	Kitchen Knight II Manual (2009)

EACH



PC551274

**PYRO-CHEM INDUSTRIAL DRY SYSTEM PARTS**

**NOZZLES and CAPS.**

P/N	DESCRIPTION
PC551650	NV-WA Nozzle
PC551652	NV-P1 Nozzle
PC551653	NV-DP2 Nozzle
PC551651	NV-UF Nozzle
PC551098	N-SCR Nozzle
PC551099	N-OTF Nozzle
PC551100	N-PLU Nozzle
PC551101	N-DCT Nozzle
PC551678	NF-ABC Nozzle
PC550646	N-LA-ABC Nozzle
PC550342	N-LA-BC Nozzle
PC550337	NF-TS Nozzle
PC550333	Nozzle Cap
PC550644	Nozzle Cap



PC551650



PC551653



PC551099



PC551100



PC550333



PC550644

**ACCESSORIES**

P/N	DESCRIPTION
PC550037	Dry Valve Rebuild Kit
PC550877	VT-2 Dry Valve Tool
PC553565	PYROM Industrial Manual
PC550026	Safety Release Plug

EACH



PC550037



PC550877





CP5



**Brooks'** high-temperature ball bearing **CORNER PULLEY** is UL classified for use in **Pyro-Chem®** systems, per NFPA 17 and 17A.

P/N	DESCRIPTION
CP5	Compression Corner Pulley

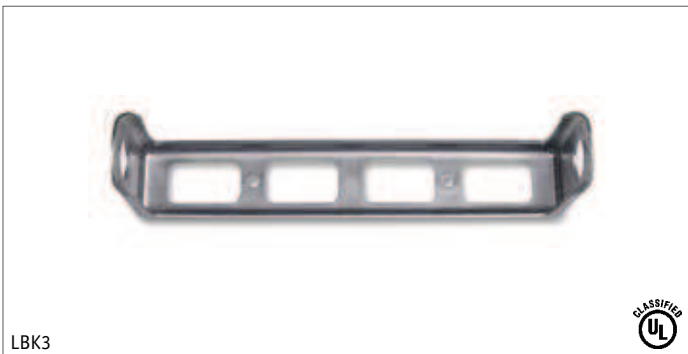


LBK1



**10" FUSIBLE LINK BRACKET** is UL classified for use in **Pyro-Chem®** systems, per NFPA 17 and 17A.

P/N	DESCRIPTION
LBK1	10" Fusible Link Bracket

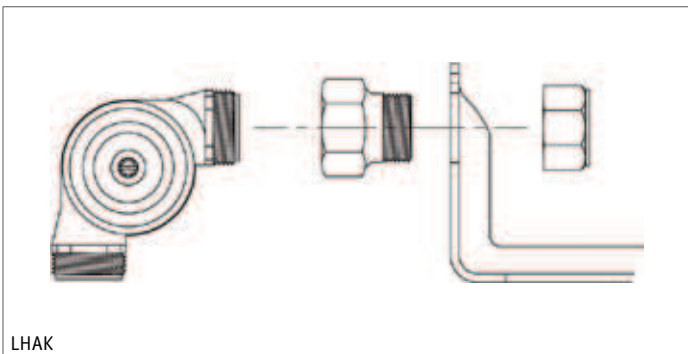


LBK3



**10" HIGH STAND OFF BRACKET** permits better air flow around fusible links and is UL classified for use in **Pyro-Chem®** systems, per NFPA 17 and 17A. Will match up to corner pulley (**CP5**) when coming through top of hood with **GSA12**.

P/N	DESCRIPTION
LBK3	10" Stand Off, Fusible Link Bracket



LHAK

**LINK HOUSING ADAPTER KIT** allows attachment of the **Pyro-Chem®** large threaded corner pulley to the **LBK3** fusible link bracket. This kit reduces the larger threads of the corner pulley to fit the smaller-diameter link bracket hole. No conduit or conduit fittings are required. Kit includes one reducing adapter and one steel nut.

P/N	DESCRIPTION
LHAK	Link Housing Adapter Kit



ASBR

**BREAK RODS** for remote pulls.

P/N	DESCRIPTION
ASBR	Remote Pull Break Rods, Pkg/10



**MICROSWITCHES**

**NOTE:** You can stack (2) MIC1's to make a DPDT. For more than two switches, use OEM models.

P/N	DESCRIPTION
MIC1	Pyro-Chem-Style SPDT Microswitch For MCH3 Head



**CO<sub>2</sub> ACTUATOR CARTRIDGES** are UL classified for **Pyro-Chem®**. Actuator cartridges and o-rings must be periodically replaced in accordance with the **Pyro-Chem** manual. Refer to manual for replacement intervals and installation instructions. **TIP:** Make sure to check cartridge weight before installation

P/N	DESCRIPTION
PCC	16gm CO <sub>2</sub> Actuator Cartridge, Pkg/3
PC55531	O-Ring, Actuator Cartridge



**BRASS FLARE FITTINGS** for system installations. These meet SAE J513, as specified in the manufacturer's manual. Tees and connectors do not include flare nuts.

P/N	DESCRIPTION
FC25	1/4", 45° Flare x 1/4" NPT Male Connector
FN25	1/4", 45° Flare Nut
FT25	1/4", 45° Flare Tee
FC13	1/4", 45° Flare x 1/8" NPT Male Connector



**COPPER TUBING** for **Pyro-Chem®** system installations.

P/N	DESCRIPTION
CT50	1/4" x 50' Copper Tubing (1/32" Wall)



Easy-to-use **FLARING TOOL** efficiently flares the tubing ends of seven common sizes (3/16"–5/8").

P/N	DESCRIPTION	EACH
TL2880	Flaring Tool Set	



Heavy-duty **TUBING CUTTER** comes with a hardened steel reamer and spare cutting wheel.

P/N	DESCRIPTION	EACH
ITC1000	Tubing Cutter	
1000TC	Tubing Cutter, Domestic	
TCB	Extra Cutting Blades, Pkg/2	

