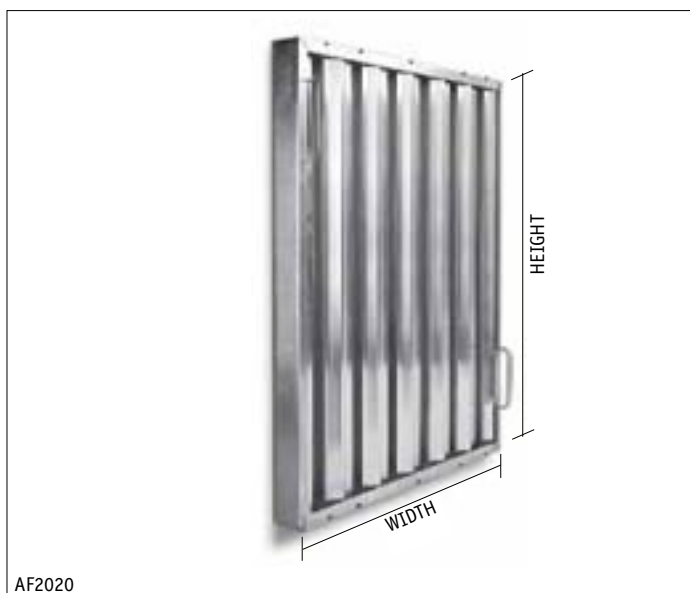




We witnessed the creation of...

the Standard UL300 *Testing of Fire Extinguishing Systems for Protection of Commercial Cooking Equipment* in 1994 and communicated their requirements as they related to Commercial Kitchen Fire Extinguishing Systems.



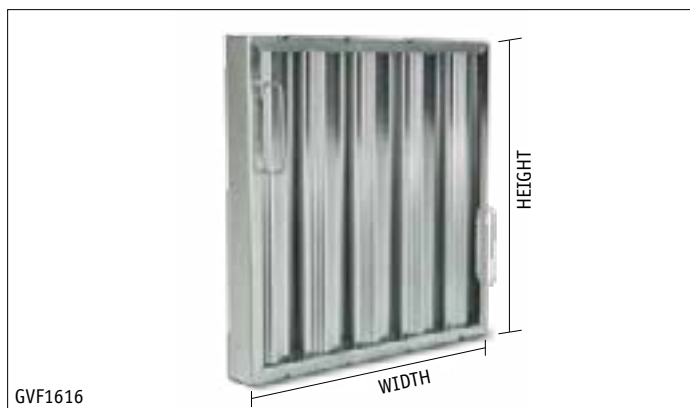


HOOD FILTERS AND ACCESSORIES

ALUMINUM GREASE FILTERS are lightweight for easy handling. Replace mesh filters that are no longer acceptable per NFPA 96. Each filter includes bale handles. UL listed.

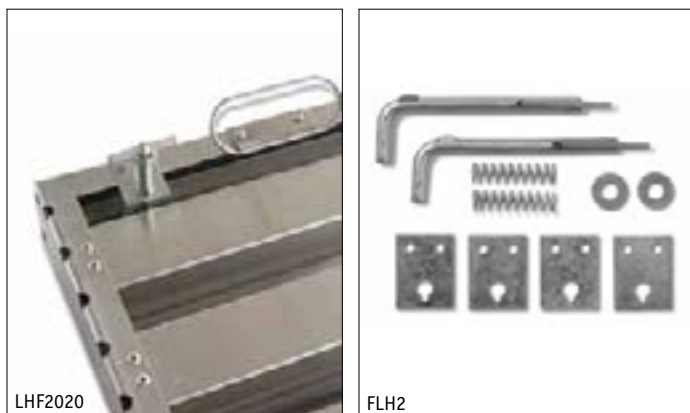
NOTE: Actual height and width measures $\frac{7}{16}$ " less than nominal sizes. All filters measure $1\frac{3}{4}$ " thick.

| P/N | DESCRIPTION | H X W |
|--------|----------------------|-----------|
| AF1016 | Aluminum Hood Filter | 10" x 16" |
| AF1020 | Aluminum Hood Filter | 10" x 20" |
| AF1216 | Aluminum Hood Filter | 12" x 16" |
| AF1220 | Aluminum Hood Filter | 12" x 20" |
| AF1616 | Aluminum Hood Filter | 16" x 16" |
| AF1620 | Aluminum Hood Filter | 16" x 20" |
| AF1625 | Aluminum Hood Filter | 16" x 25" |
| AF2016 | Aluminum Hood Filter | 20" x 16" |
| AF2020 | Aluminum Hood Filter | 20" x 20" |
| AF2025 | Aluminum Hood Filter | 20" x 25" |
| AF2516 | Aluminum Hood Filter | 25" x 16" |
| AF2520 | Aluminum Hood Filter | 25" x 20" |



GALVANIZED GREASE FILTERS

| P/N | DESCRIPTION | H X W |
|---------|------------------------|-----------|
| GVF1616 | Galvanized Hood Filter | 16" x 16" |
| GVF1620 | Galvanized Hood Filter | 16" x 20" |
| GVF1625 | Galvanized Hood Filter | 16" x 25" |
| GVF2016 | Galvanized Hood Filter | 20" x 16" |
| GVF2020 | Galvanized Hood Filter | 20" x 20" |
| GVF2025 | Galvanized Hood Filter | 20" x 25" |
| GVF2516 | Galvanized Hood Filter | 25" x 16" |
| GVF2520 | Galvanized Hood Filter | 25" x 20" |



STAINLESS STEEL GREASE FILTERS

| P/N | DESCRIPTION | H X W |
|---------|-----------------------------|-----------|
| SSF1616 | Stainless Steel Hood Filter | 16" x 16" |
| SSF1620 | Stainless Steel Hood Filter | 16" x 20" |
| SSF1625 | Stainless Steel Hood Filter | 16" x 25" |
| SSF2020 | Stainless Steel Hood Filter | 20" x 20" |
| SSF2025 | Stainless Steel Hood Filter | 20" x 25" |
| SSF2520 | Stainless Steel Hood Filter | 25" x 20" |

LOCKING HANDLE FILTERS are required in MD, VA, and Washington, D.C.

| P/N | DESCRIPTION | H X W |
|----------|----------------------|-----------|
| LHF2020 | Aluminum Hood Filter | 20" x 20" |
| LHF2025 | Aluminum Hood Filter | 20" x 25" |
| LHF2520* | Aluminum Hood Filter | 25" x 20" |

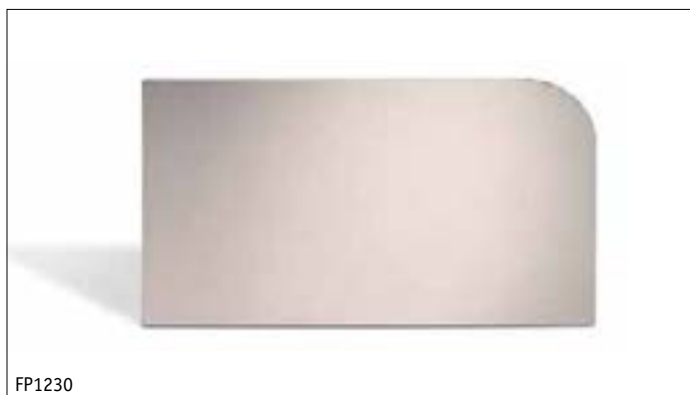
*WHILE QUANTITIES LAST!

FILTER LOCKING HANDLES come complete with springs, washers, clips, and instructions.

| P/N | DESCRIPTION |
|------|-----------------------------|
| FLH2 | (PR) Filter Locking Handles |

Brooks' FRYER PANELS are made from stainless steel with deburred edges. They have a large radius corner for protection. Two sizes available that fit most fryers. Meets NFPA 96, which requires that a plate be installed when a fryer is closer than 16" to surface flames on an adjacent appliance.

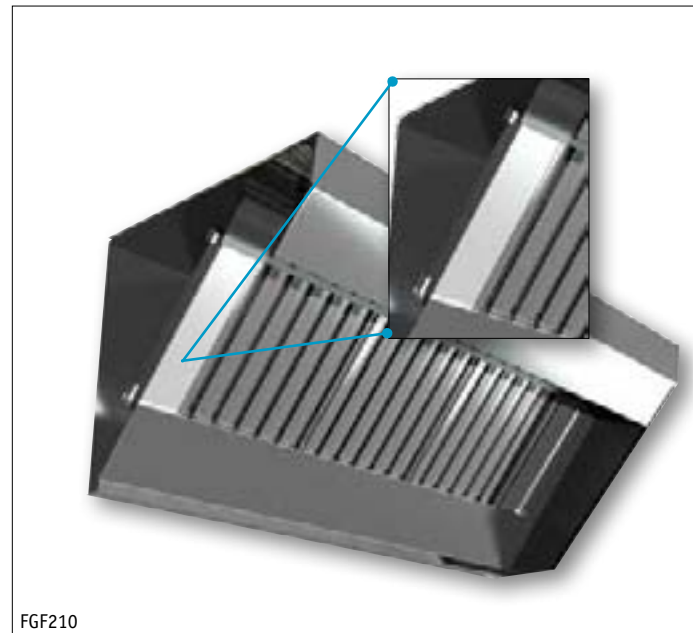
| P/N | DESCRIPTION | H X W | EACH |
|--------|-------------|-----------|------|
| FP1230 | Fryer Panel | 12" x 30" | |
| FP1830 | Fryer Panel | 18" x 30" | |



Brooks' FILTER SPACERS fill in the uncovered plenum space that results when using standard size filters. Because custom-made filters are expensive and sometimes hard to find, our stainless steel spacers fit the bill and the space that's not critical to air flow or system detection. Spacers are made of 20 ga 430 stainless steel and have a brushed finish.

NOTE: Never place fusible links directly above a spacer, due to limited air flow. Actual heights are $\frac{7}{16}$ " shorter than listed.

| P/N | DESCRIPTION | H X W |
|--------|---------------|----------|
| FGF210 | Filter Spacer | 2" x 10" |
| FGF212 | Filter Spacer | 2" x 12" |
| FGF216 | Filter Spacer | 2" x 16" |
| FGF220 | Filter Spacer | 2" x 20" |
| FGF225 | Filter Spacer | 2" x 25" |
| FGF310 | Filter Spacer | 3" x 10" |
| FGF312 | Filter Spacer | 3" x 12" |
| FGF316 | Filter Spacer | 3" x 16" |
| FGF320 | Filter Spacer | 3" x 20" |
| FGF325 | Filter Spacer | 3" x 25" |
| FGF410 | Filter Spacer | 4" x 10" |
| FGF412 | Filter Spacer | 4" x 12" |
| FGF416 | Filter Spacer | 4" x 16" |
| FGF420 | Filter Spacer | 4" x 20" |
| FGF425 | Filter Spacer | 4" x 25" |



FGF210

Complete **HOOD LIGHT FIXTURE** with 6" leads and your choice of heat-tempered globe (with or without plastic coating). Globes will not discolor with heat.

| P/N | DESCRIPTION |
|------|--|
| HLF1 | Hood Light Fixture w/ Standard Globe |
| HLF2 | Hood Light Fixture w/ Coated Globe |
| PCG | Replacement Globe w/ Plastic Coating |
| HFSG | Replacement Standard Globe w/o Plastic Coating |
| HLWG | Wire Guard For Hood Light |



HLF2

HLWG

Regin SMOKE CARTRIDGES are easy to handle and non-explosive. Great for studying exhaust air and smoke stacks or to leak-test duct work, pipelines, and tanks.

| P/N | DESCRIPTION | WEIGHT | SMOKE VOL. | BURN TIME | PKG QTY | EACH |
|------|-------------|-------------------|--------------|---------------------|---------|------|
| S102 | Fumax | $\frac{1}{10}$ oz | 150 cu ft | 45 sec | 10 | |
| S103 | Fumax KS | $\frac{1}{3}$ oz | 600 cu ft | 1 $\frac{1}{2}$ min | 10 | |
| S104 | Ventax | $\frac{2}{3}$ oz | 1200 cu ft | 3-4 min | 5 | |
| S105 | Brandax | 2.11 oz | 2500 cu ft | 3-4 min | 5 | |
| S107 | Brandax KS | 1 lb | 18,000 cu ft | 5-6 min | 1 | |



SMOKE CARTRIDGES

SYSTEM TEST BALLOONS are tested by our customers and proven effective. Use to show the AHJ that the chemical lines are open. **WARNING:** Do not use for chemical discharge!

| P/N | DESCRIPTION | EACH |
|-------|------------------------------|------|
| STB25 | System Test Balloons, Pkg/25 | |



STB25 In Use

©BROOKS EQUIPMENT COMPANY, LLC 2016. ALL RIGHTS RESERVED. BROOKS EQUIPMENT® IS A REGISTERED TRADEMARK OF BROOKS EQUIPMENT, LLC.

In Use photos may show items not included or available separately.



DC8GA



D106F2GA



DRU12814GA



DR10612ULBI



D106ULBI



FS900



HS1

Ductmate® DUCT ACCESS DOORS provide easy access to grease ducts or high-temperature duct systems. They are simple to install and provide a leak-resistant seal. Just cut the hole and install. No measuring is required, because a stick-on template is provided. And when an inspection is necessary, just unscrew the wing nuts to inspect. Call sales for complete specs.

| P/N | DESCRIPTION | DOOR SIZE | MAX TEMP RATING | EACH |
|-------------|----------------------|-------------------|-----------------|------|
| DC8GA | Circular Clean-Out | 9" | 200° | |
| DU106GA | Rectangle | 11" x 7" | 200° | |
| DU128GA | Rectangle | 13" x 9" | 200° | |
| DI128GA | Rectangle, Insulated | 13" x 9" | 200° | |
| D106F1GA | Rectangle | 11" x 7" | 1000° | |
| D128F1GA | Rectangle | 13" x 9" | 1000° | |
| D106F2GA | Rectangle | 11" x 7" | 2300° | |
| D128F2GA | Rectangle | 13" x 9" | 2300° | |
| D1814F2GA | Rectangle | 19" x 15" | 2300° | |
| DRU12814GA | Round | 12 1/2" x 8 9/16" | 200° | |
| D1612F2GA | Rectangle | 16" x 12" | 2300° | |
| DRU161224GA | Round | 16" x 12" | 200° | |

→ **More DOOR SIZES Available - Call for Pricing.**

Ductmate® DUCT ACCESS DOORS are UL 1978 listed and meet NFPA 96 standards. Easy to install, no welding, drilling or special tools needed saving installation time. Available in a variety of sizes and includes a self-adhesive template for the duct opening to be used. Consists of two layers of 11 ga steel (S.S. also available) and a high temperature ceramic board rated to 2300°.

NOTE: For steel duct use only!

| P/N | DESCRIPTION | DOOR SIZE | MAX TEMP RATING | EACH |
|-------------|-------------|-----------|-----------------|------|
| DR10612ULBI | Round | 12" x 8" | 2300° | |
| DR12812ULBI | Round | 14" x 10" | 2300° | |
| D106ULBI | Rectangle | 10" x 6" | 2300° | |
| D1010ULBI | Rectangle | 10" x 10" | 2300° | |
| D128ULBI | Rectangle | 12" x 8" | 2300° | |
| D1814ULBI | Rectangle | 18" x 14" | 2300° | |

Flame•Safe® FIRESTOP CAULK is for sealing penetrations in fire walls and is UL classified under "Fill or Cavity Materials." Produces a sandable, paintable surface with up to a three-hour fire rating. Water based (no solvents or silicones).

WARNING: Not for hood use!

| P/N | DESCRIPTION |
|-------|--|
| FS900 | Flame•Safe Caulk, 10.3 oz Tube Data Sheet available online at BrooksEquipment.com |

100% silicone **HOOD CAULK** (aluminum color) can be applied overhead (up to 400°F). Meets federal and NSF standards for food service use.

NOTE: Does not meet NFPA requirements for sealing hood penetrations.

| P/N | DESCRIPTION |
|-----|--------------------------|
| HS1 | Hood Caulk, 10.3 oz Tube |

SAFETY-SET BRACKETS are designed to precisely relocate mobile cooking equipment under the exhaust hood, at the approved designed location, in accordance with NFPA 96 and NFPA 17A requirements. Each pair of **Safety-Set Brackets** include installation hardware.

| P/N | DESCRIPTION | EACH |
|-----|---------------------|------|
| PS2 | Safety-Set Brackets | |



PS2 In Use

The 6" **FireTech™ GREASE COMB** is a must have for all hood system service techs, because it accurately measures the amount of grease buildup present on hoods, fans, ducts, and other surfaces. Now you can demonstrate to your customer when combustible contaminants are at dangerous levels. White plastic comb features depth gauge teeth clearly printed in microns for easy grease depth assessment.

| P/N | DESCRIPTION | L X H X W | PRICE |
|------|-------------|---|-------|
| FTGC | Grease Comb | 6" x 2 ⁵ / ₁₆ " x 7 ⁷ / ₈ " | |



FTGC

Brooks' STAINLESS STEEL CLEANER/POLISH is a clear, thin liquid with a pleasant smell. It is biodegradable, does not contain harsh ingredients, and will not harm skin or metal surfaces (when used as directed). Perfect for use in restaurants and other buildings where stainless steel, brass, or bronze surfaces need to be cleaned.

| P/N | DESCRIPTION |
|--------|---------------------------------------|
| BRSSPQ | Stainless Steel Cleaner/Polish, 1 qt |
| BRSSPG | Stainless Steel Cleaner/Polish, 1 gal |

STAINLESS STEEL CLEANER/POLISHER, made by **Sheila Shine**, removes grease film, finger marks, and covers scratches, leaving a protective coating that preserves surfaces. **NOTE:** Low VOC formula versions comply with CARB regulations and are suitable for sale and distribution in California.

| P/N | DESCRIPTION |
|---------|---|
| SSCPA | Stainless Steel Cleaner/Polish, 10 oz Aerosol |
| SSCPQ | Stainless Steel Cleaner/Polish, 1 qt |
| SSCPG | Stainless Steel Cleaner/Polish, 1 gal |
| SSCA10 | Stainless Steel Cleaner/Polish (Low VOC Formula), 10 oz Aerosol |
| SSCA32 | Stainless Steel Cleaner/Polish (Low VOC Formula), 1 qt |
| SSCA128 | Stainless Steel Cleaner/Polish (Low VOC Formula), 1 gal |



BRSSPQ



BRSSPG

COMMERCIAL APPLIANCE CLEANERS are ideal for cleaning all cooking surfaces in a typical restaurant kitchen. **Grease Out** safely removes carbonized soils and greases from grills and oven surfaces; while **Slash** oven, grill, and fryer cleaner handles moderately soiled stovetops, burners, griddles, and deep fryers. For tough jobs, use **Blast** thickened oven cleaner. It conquers grease, fats, and burnt-on foods from ovens, ranges, range hoods, vents, grills, and broilers. (These products are not for use on soft metals). **NOTE:** For shipping, SLASH1 and BLAST1 must be sold in case quantity of four.

| P/N | DESCRIPTION | PKG QTY | EACH |
|--------|-------------------------------------|---------|------|
| OCA18 | Oven Cleaner Aerosol, 18 oz | 12 | |
| SLASH1 | Grill, Oven, & Fryer Cleaner, 1 gal | 4 | |
| BLAST1 | Oven Cleaner & Degreaser, 1 gal | 4 | |



SSCPG



OCA18



SLASH1

In Use photos may show items not included or available separately.

WIPERS AND DISPENSERS

WypAll® WIPERS provide better absorption than a shop rag and come in different thicknesses for different jobs. And since they're disposable, they keep workers healthier and shops cleaner. **WypAll** uses **Hydroknit®** technology to combine excellent absorbing power in a lightweight wiper that is reusable. They also take up less space than rags and install anywhere with a **JUMBO ROLL DISPENSER**.

| P/N | DESCRIPTION | EACH |
|----------|---|------|
| KCW180 | Brag Box Wipers, 12 ¹ / ₂ " x 16 ³ / ₄ ", White, Box/180 Replaces 25 lb of Scrap Rags | |
| KCHDW475 | Jumbo Roll Wipers, 12 ¹ / ₂ " x 13 ³ / ₈ ", Red, Roll/475 Replaces 75 lb of Scrap Rags | |
| KCHDD | Jumbo Roll Dispenser, 16 ³ / ₄ "L x 33"H x 18 ¹ / ₂ "W | |
| KCHWM | Jumbo Roll Wall Mount Dispenser, 16 ³ / ₄ "L x 8 ³ / ₄ "H x 10 ³ / ₄ "W | |

Ideal for all of your toughest tasks, **Scott® TOWELS** are strong, soft, absorbent, and work like a cloth. For a quick solution to any mess, **Rags In A Box** and **Shop Towels** are great for wiping hands, cleaning tools, and absorbing liquids, oil, and grease. For consistent quality and affordability, no other brand beats **Scott**.

| P/N | DESCRIPTION | EACH |
|---------|--|------|
| KCST55 | Shop Towels, 10 ³ / ₈ " x 11", Blue, Roll/55 | |
| KCRB200 | Rags In A Box, 10" x 13", White, Box/200 | |

SAFETY MATS

Safewalk-Light™ FLOOR SAFETY MAT proves that it's possible to combine anti-fatigue with drain-through capabilities. Black mat is 1/2" thick, easy-to-clean, and recommended for use in medium- to heavy-duty wet and oily areas. Perfect for kitchens, wait stations, and bar areas. Black.

| P/N | DESCRIPTION | EACH |
|------------|-----------------------------|------|
| WSCT35BKCM | Safewalk-Light Mat, 3' x 5' | |

Proper matting can save time and money on floor maintenance, worker fatigue, and prevent accidental slips and falls.

INDUSTRIAL DECK PLATE MATTING is durable and features a slip-resistant surface with a diamond-patterned texture. Industrial-grade PVC-foam backing is fused to the top surface to add comfort and relief for tired feet and legs. Mat is resistant to most common fluids and chemicals; and comes with beveled edges and yellow borders for greater visibility and improved safety. For use in medium- to heavy-duty dry areas.

| P/N | DESCRIPTION | EACH |
|------------|------------------------------------|------|
| CD0035YBCM | Industrial Deck Plate Mat, 3' x 5' | |

In Use photos may show items not included or available separately.



KCW180



KCHWM w/ KCHDW475 In Use



KCHDD w/ KCHDW475 In Use



KCST55



KCRB200



WSCT35BKCM In Use



CD0035YBCM In Use

PROTECTIVE EQUIPMENT

Clear, 3 mil **PLASTIC SHEETING** measures 12' x 100' and comes on a 4' roll (enough to approximately cover an area around five hoods), keeping appliances protected from dirt, grime, and chemicals.

| P/N | DESCRIPTION | EACH |
|--------|------------------|------|
| PS1003 | Plastic Sheeting | |



PS1003

These economical **SAFETY GOGGLES** feature a comfortable, soft frame; direct ventilation; and a wide one-piece clear polycarbonate lens. Meets ANSI Z87.1 requirements. 99.9% UV protection.

| P/N | DESCRIPTION | EACH |
|-------|------------------------|------|
| EW201 | Economy Safety Goggles | |



EW201

Ergonomically designed and multi-dipped, **Black Jack® NEOPRENE GLOVES**, from **MCR**, create a liquid-proof barrier against abrasions, cuts, acids, and other chemicals. Gloves have gauntlet cuffs, brushed-cotton interlock linings, and etched rough finish. Black.

| P/N | DESCRIPTION | SIZE | EACH |
|--------|---|------|------|
| MG6932 | Neoprene Gloves, 12" Gauntlet | LG | |
| MG6944 | Neoprene Gloves, 14" Gauntlet, Foam Lined | LG | |



MG6932



555L

PROTECTIVE COVERALLS with open wrists and ankles, serged seams, front zipper, and collar. The most popular disposable protective clothing available.

| P/N | DESCRIPTION | SIZE | EACH |
|--------|-----------------|-----------|------|
| 555L | Coverall | LG | |
| 555XL | Coverall | XL | |
| 555XXL | Coverall | 2XL | |
| TYBC | Boot/Shoe Cover | Universal | |

MCR's 14" STEEL TOE PVC BOOTS feature a heavy-duty, over-the-sock design and cleated soles with traction grips. They're 100% waterproof with polyester linings and kick-off lugs for easy on and off. They're flexible, too, for excellent comfort and abrasion resistance. Black.

| P/N | DESCRIPTION | SIZE | EACH |
|-------|--------------|------|------|
| STB10 | 14" PVC Boot | 10 | |
| STB11 | 14" PVC Boot | 11 | |
| STB12 | 14" PVC Boot | 12 | |
| STB13 | 14" PVC Boot | 13 | |
| STB14 | 14" PVC Boot | 14 | |



TYBC In Use



STB10

© BROOKS EQUIPMENT COMPANY, LLC 2016. ALL RIGHTS RESERVED. BROOKS EQUIPMENT® IS A REGISTERED TRADEMARK OF BROOKS EQUIPMENT, LLC.

In Use photos may show items not included or available separately.



NFPA1713

CODES AND REGULATIONS

For nearly a century, people have relied on **NFPA® PUBLICATIONS**—your blueprints to safety.

| P/N | DESCRIPTION | EACH |
|-----------|---|------|
| NFPA1713 | NFPA 17: Standard for Dry Chemical Extinguisher Systems, 2013 ed | |
| NFPA17A13 | NFPA 17A: Standard for Wet Chemical Extinguisher Systems, 2013 ed | |
| NFPA9614 | NFPA 96: Standard for Ventilation Control & Fire Protection of Commercial Cooking Operations, 2014 ed | |

For other NFPA Publications, See Page 60



IT525

Raytek's MiniTemp® INFRARED LASER THERMOMETER

measures surface temperatures, identifying potential problems before they start. Or, as in the case of fusible links, it demonstrates the temperature at which they may activate. And it's safe, fast, and contamination free. Plus its infrared technology provides nearly instantaneous readings without actually touching an object.

MiniTemp is small enough to fit in your pocket and includes a backlit display for easy viewing and a laser point to pinpoint your target.

SPECIFICATIONS

Temperature Range: 0°F to 750°F
 Max. Target (Spot) Distance: 4'
 Optical Resolution (D:S): 8:1
 Accuracy (+/- 2% or +/- 2°C (+/- 3°F) of reading, whichever is greater)
 Sighting: Laser Point
 Emissivity: Pre-Set to 0.95

| P/N | DESCRIPTION | EACH |
|-------|----------------------------|------|
| IT525 | Infrared Laser Thermometer | |



G16524PHL

FUSIBLE LINKS AND HEAT DETECTORS

PHL Links™ McCabe® RESETTABLE BI-METAL FIRE LINK is a UL 33 permanent replacement for fusible links. Utilizing a corrosion-resistant bi-metal configuration, the **McCabe Link** is resettable and reusable after testing making it environmentally friendly and cost effective. Load range 1–25 lb.

| P/N | DESCRIPTION | EACH |
|------------|--|------|
| G16524PHL | McCabe 165°F Thermal Electric Link, 24 VDC Link w/ 55 W Electric Heater | |
| G21224PHL | McCabe 212°F, 24 VDC/2.3 A Link w/ 55 W Electric Heater | |
| G212120PHL | McCabe 212°F, 120 VAC/0.46 A Link w/ 55 W Electric Heater | |
| GUB165PHL | McCabe 165°F Reusable Link w/ Grommet Universal Link Base | |



G165ETL

SR ELECTRO THERMAL LINK (ETL) is a UL listed, dual-responsive fusible link and release device designed to substantially improve life safety and minimize property damage. It creates an instantaneous fusible link response and separation in the event of fire. The **ETL** has a protruding cylinder to house the heating element and attachment wires. It also provides a means to attach a standard EMT conduit connector adapter. Load range 2–40 lb.

| P/N | DESCRIPTION | EACH |
|---------|--------------------------------------|------|
| G165ETL | ETL 165° Fusible Link/Release Device | |

Globe MODEL K FUSIBLE LINKS are UL listed and UL classified for use with extinguishing systems. Load range 3–50 lb.
NOTE: Order in bags of 20 to receive UL classified links with cross reference chart.

| P/N | DESCRIPTION |
|-------|----------------------------|
| G165K | 165°F Model K Fusible Link |
| G212K | 212°F Model K Fusible Link |
| G280K | 280°F Model K Fusible Link |
| G360K | 360°F Model K Fusible Link |
| G450K | 450°F Model K Fusible Link |



Globe MODEL ML FUSIBLE LINKS are UL listed and UL classified for use with extinguishing systems. Load range 10–40 lb.
NOTE: Order in bags of 20 to receive UL classified links with cross reference chart.

| P/N | DESCRIPTION |
|--------|-----------------------------|
| G135ML | 135°F Model ML Fusible Link |
| G165ML | 165°F Model ML Fusible Link |
| G212ML | 212°F Model ML Fusible Link |
| G280ML | 280°F Model ML Fusible Link |
| G360ML | 360°F Model ML Fusible Link |
| G450ML | 450°F Model ML Fusible Link |
| G500ML | 500°F Model ML Fusible Link |



Globe MODEL A FUSIBLE LINKS are UL listed and the **G360A** is UL classified for use with extinguishing systems. Load range 3–45 lb.
NOTE: Order the G360A in bags of 20 to receive UL classified links with cross reference chart.

| P/N | DESCRIPTION |
|-------|----------------------------|
| G165A | 165°F Model A Fusible Link |
| G212A | 212°F Model A Fusible Link |
| G280A | 280°F Model A Fusible Link |
| G360A | 360°F Model A Fusible Link |
| G450A | 450°F Model A Fusible Link |



Globe MODEL B FUSIBLE LINKS are UL listed and FM approved for use with extinguishing systems. Load range 3–20 lb.

| P/N | DESCRIPTION |
|-------|----------------------------|
| G135B | 135°F Model B Fusible Link |
| G165B | 165°F Model B Fusible Link |
| G212B | 212°F Model B Fusible Link |
| G280B | 280°F Model B Fusible Link |
| G360B | 360°F Model B Fusible Link |



TEST LINK is used for testing the detection line, without destroying a more expensive fusible link. Same size as the **Globe Model ML, K, and B** links. Sold in packages of 10 each.

| P/N | DESCRIPTION |
|------|-------------|
| GTL1 | Test Link |



©BROOKS EQUIPMENT COMPANY, LLC 2016. ALL RIGHTS RESERVED. BROOKS EQUIPMENT® IS A REGISTERED TRADEMARK OF BROOKS EQUIPMENT, LLC.

Fusible links used in cooking operations should be replaced during semi-annual maintenance, unless conditions require more frequent replacement. To verify that proper maintenance has been performed, write the date of installation and the date of the fusible link on the inspection tag.



Globe JS LINKS are specifically designed for standard-type fire dampers and have a load range of 3–10 lb. UL listed.

| P/N | DESCRIPTION |
|--------|-----------------------------|
| G165JS | 165°F Model JS Fusible Link |
| G212JS | 212°F Model JS Fusible Link |



Globe J LINKS are heat activated and made with brass components to resist corrosion. They have a high-strength, symmetrical shape with a load range of 3–10 lb. UL listed.

| P/N | DESCRIPTION |
|-------|----------------------------|
| G165J | 165°F Model J Fusible Link |
| G212J | 212°F Model J Fusible Link |



Globe MODEL D FUSIBLE LINK is UL listed with a load range of 1–8 lb.

| P/N | DESCRIPTION |
|-------|----------------------------|
| G165D | 165°F Model D Fusible Link |



Thermotech HEAT DETECTORS are normally open devices designed specifically for fire detection and alarm systems. These rate-compensation-type detectors are available with 135°F or 194°F ratings. All are self-restoring, hermetically sealed, shock and corrosion resistant, as well as tamperproof. Approvals/Listings: UL, FM (except for **EPM194**), California State Fire Marshall Listing No. 7270 0021:001, and New York City Department of Buildings, MEA 193-03-E.

NOTE: Not for use in direct sunlight. Explosion-proof model EPM194 for indoor use only. Refer to NFPA 72 for application requirements, testing, and maintenance.

| P/N | DESCRIPTION |
|--------|-------------------------------------|
| ET135 | 135°F All-Weather Heat Detector |
| EPM194 | 194°F Explosion-Proof Heat Detector |
| ET194 | 194°F All-Weather Heat Detector |

EACH

FUSIBLE LINK BRACKETS AND CONDUIT FITTINGS

10" FUSIBLE LINK BRACKET is UL classified for use in **Pyro-Chem®** and **Range Guard®** systems, per NFPA 17 and 17A.

| P/N | DESCRIPTION |
|------|--------------------------|
| LBK1 | 10" Fusible Link Bracket |



10" HIGH STAND OFF BRACKET permits better air flow around fusible links and is UL classified for use in **Pyro-Chem®** and **Range Guard®** systems, per NFPA 17 and 17A. Will match up to corner pulley (**CP5**) when coming through top of hood with **GSA12**.

| P/N | DESCRIPTION |
|------|------------------------------------|
| LBK3 | 10" Stand Off Fusible Link Bracket |



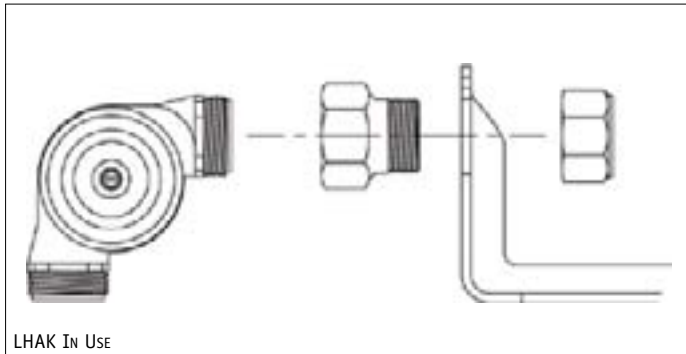
8" FUSIBLE LINK BRACKET is UL classified for use in **Kidde** systems, per NFPA 17 and 17A.

| P/N | DESCRIPTION |
|------|-------------------------|
| LBK2 | 8" Fusible Link Bracket |



LINK HOUSING ADAPTER KIT allows attachment of the **Ansul®** and **Pyro-Chem®** large threaded corner pulley to the **LBK3** fusible link bracket. This kit reduces the larger threads of the corner pulley to fit the smaller-diameter link bracket hole. No conduit or conduit fittings are required. Kit includes one reducing adapter and one steel nut.

| P/N | DESCRIPTION |
|------|--------------------------|
| LHAK | Link Housing Adapter Kit |



Install **TEMPERATURE LABELS** on link brackets. Dot turns black if temperature is reached, demonstrating that the link reacts to temperature as designed. Measures 1/2" square with 1/4" dot in the center. Twenty-one labels per card.

| P/N | DESCRIPTION | EACH |
|-------|--------------------------|------|
| BL500 | 500°F Temperature Labels | |



©BROOKS EQUIPMENT COMPANY, LLC 2016. ALL RIGHTS RESERVED. BROOKS EQUIPMENT® IS A REGISTERED TRADEMARK OF BROOKS EQUIPMENT, LLC.

In Use photos may show items not included or available separately. Ansul® is a registered mark of Tyco Fire Products LP.

CABLE, CRIMPS, AND S-HOOKS

FireTech™ aircraft-type 7 x 7 **STAINLESS STEEL CABLE** for automatic suppression systems.

| P/N | DESCRIPTION |
|---------|--------------------------------------|
| 1000C16 | 1000' of 1/16" Stainless Steel Cable |
| 500C16 | 500' of 1/16" Stainless Steel Cable |
| 250C16 | 250' of 1/16" Stainless Steel Cable |
| 50C16 | 50' of 1/16" Stainless Steel Cable |
| 250C64 | 250' of 3/64" Stainless Steel Cable |

S-HOOKS & CRIMPS for automatic suppression systems.

| P/N | DESCRIPTION |
|-----|---|
| OS1 | 3/64" Oval, Zinc-Plated, Copper Crimp, Pkg/100 |
| OS2 | 1/16" Oval, Zinc-Plated, Copper Crimp, Pkg/100 |
| OS3 | 1/16" Copper Stop Crimp, Pkg/100 |
| OS4 | 1/16" Kidde-Style, Plated Copper Crimp, Pkg/100 |
| BHN | Brass Hex Nut |
| SHK | 1" S-Hooks, Pkg/100 |

CABLE CUTTER leaves clean square cuts on stainless steel cable. Cadmium plated heat-treated alloy ensures maximum rust prevention and extra-long life.

NOTE: Do not use on S-Hooks or Links!

| P/N | DESCRIPTION | EACH |
|-------|-----------------|------|
| CC093 | 6" Cable Cutter | |

These **CRIMPING TOOLS** have thick, comfortable vinyl handles. Made of aircraft-quality alloy steel.

| P/N | DESCRIPTION | EACH |
|-------|--|------|
| ST116 | 8" Crimping Tool For 3/16" Copper Oval & Stop Sleeves | |
| ST364 | 8" Crimping Tool For 3/64" Copper Oval & Stop Sleeves | |

EMT CONDUIT FITTINGS

| P/N | DESCRIPTION | EACH |
|------|---|------|
| 1210 | 1/2" EMT Set Screw Connector, Pkg/50 | |
| 1220 | 1/2" EMT Set Screw Coupling, Pkg/50 | |
| 2105 | 1/2" EMT Compression Connector, Pkg/50 | |
| 2205 | 1/2" EMT Compression Coupling, Pkg/50 | |
| 1505 | 1/2" EMT & 3/8" Pipe Single Hole Strap, Pkg/100 | |
| 7800 | Standoff Clamp w/ Bolt, Pkg/100 For 1/2" EMT, 1/2" & 3/8" Pipe | |
| 651S | 1/2" Steel Compression Connector (Sold Individually) | |
| 2232 | Steel 1/2" EMT Fitting For Hood Seals/Link Brackets (Will Screw into QSA2) | |



500C16



OS1, OS2



OS3



OS4



BHN



SHK



CC093



ST364



1210



1220



2105



1505



7800



651S

“GREASE-TITE” ADAPTERS

Jiffy THREADED “GREASE-TITE” ADAPTERS are UL listed, conforming to NFPA 96 requirements. Made of chrome-plated steel.

| P/N | DESCRIPTION | H SIZE | P SIZE |
|-------|----------------------|--------|--------|
| QSA1 | Pipe Adapter | 7/8" | 3/8" |
| QSA38 | Pipe Adapter | 1 1/8" | 3/8" |
| QSA2 | Pipe & Rigid Conduit | 1 1/8" | 1/2" |
| QSA3 | Pipe Adapter | 1 3/8" | 3/4" |
| QSA4 | Pipe Adapter | 1 3/8" | 1" |
| QSA5 | Pipe Adapter | 7/8" | 1/4" |



QSA2



QSA2 In Use

COMPRESSION “GREASE-TITE” ADAPTERS are UL listed and conform to NFPA 96 requirements. They provide a grease-tight seal without welding.

| P/N | DESCRIPTION | H SIZE | P SIZE |
|-------|---------------------|--------|--------|
| QSA8 | Pipe Adapter | 1 1/8" | 3/8" |
| QSA9 | EMT/Conduit Adapter | 1 1/8" | 1/2" |
| QSA10 | Pipe Adapter | 1 1/8" | 1/2" |
| QSA11 | Pipe Adapter | 1 3/8" | 3/4" |



QSA8



UL listed **Jiffy PATCH “GREASE-TITE” SEALS** for patching unwanted holes without welding. Conforms to NFPA 96 requirements.

| P/N | DESCRIPTION | H SIZE |
|-----|-------------|---------------|
| QP1 | Patch | 1 1/8"–1 1/4" |
| QP2 | Patch | 7/8"–1" |
| QP3 | Patch | 1 5/8"–1 3/4" |
| QP4 | Patch | 1 3/8"–1 1/2" |



QP1



UL listed **Jiffy CORNER PULLEY “GREASE-TITE” ADAPTERS** will screw directly onto the corner pulley for a quick 90° turn, when coming through the top of the hood.

| P/N | DESCRIPTION | H SIZE |
|-------|--|--------|
| QSA12 | Corner Pulley Adapter Fits CP5 Corner Pulley | 1 1/8" |
| QSA13 | Corner Pulley Adapter Compatible w/ Ansul® Corner Pulley | 1 1/8" |



QSA12 In Use



BLIND COMPRESSION “GREASE-TITE” ADAPTERS are UL listed and conform to NFPA 96, 17, & 17A requirements. A single installer can install this fitting without the need to get to the backside of the hood to tighten the nut. Great for those tight hood installations where access to the other side is hard to reach.

| P/N | DESCRIPTION | H SIZE | EACH |
|-------|----------------------------------|--------|------|
| QSA15 | Pipe Adapter, 1/4" Tube Size | 1 1/8" | |
| QSA16 | EMT/Conduit Adapter, 1/2" EMT | 1 1/8" | |
| QSA17 | Pipe Adapter, 3/8" Pipe Size | 1 1/8" | |



QSA15



In Use photos may show items not included or available separately. Ansul® is a registered mark of Tyco Fire Products LP.

Fits Where Sockets Won't!



TL1218



TL1228 In Use

The **Jiffy Seal RATCHETING WRENCH** is an ingenious tool that tightens/loosens hex nuts and bodies in ventilation hoods. Its unique design fits into tight spaces easily and works with any $\frac{3}{8}$ " drive flexible T-handle. Made of heat-treated steel with carbonitride/zinc plating, the wrench automatically finds the right slot angle and indexes to the next position when in use. Wrenches and driver sold separately.

| P/N | DESCRIPTION | EACH |
|--------|--|------|
| TL388 | 1 $\frac{1}{2}$ " Ratcheting Wrench For $\frac{3}{8}$ " & $\frac{1}{2}$ " Penetration Seals w/ $\frac{1}{8}$ " Hole | |
| TL1218 | 1 $\frac{1}{4}$ " Ratcheting Wrench For $\frac{3}{8}$ " & $\frac{1}{2}$ " Penetration Seals w/ $\frac{7}{8}$ " Hole | |
| TL1228 | $\frac{3}{8}$ " Drive Flexible T-Handle | |



QMT00L



QMT00LM



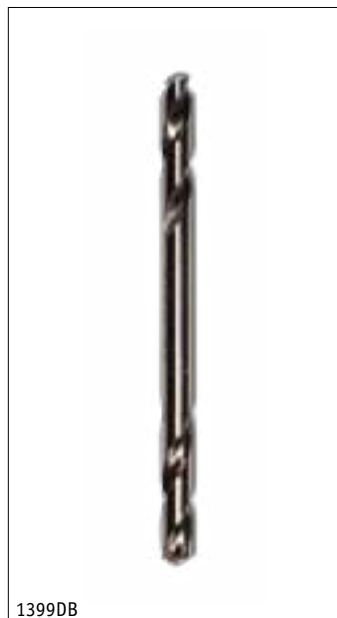
QMS, QMT

Quick Mount FASTENERS and **INSTALLATION TOOLS** for hood penetration requirements. NFPA 96 requires any penetrations in the hood exterior to be sealed with a listed device or by a liquid-tight, continuous external weld. **Brooks' QMT** is UL listed for mounting hardware in the hood or duct. By using the **Quick Mount** fasteners and "**Grease-Tite**" adapters, you can meet code without welding. Simple three-step installation: Drill hole with **QDRILL**, insert **QMT** through the hole, and clinch using a **QMT00L**.

| P/N | DESCRIPTION | EACH |
|---------|--|------|
| QMT | Quick Mount Fastener, Pkg/10 | |
| QMS | $\frac{1}{4}$ " - 20 Screw, Pkg/100 For QMT | |
| QMT00L | Lever-Type Installation Tool | |
| QMTA | Replacement Arbor For QMT00L | |
| QMT00LM | Wrench-Type Installation Tool | |
| QDRILL | Quick Mount Drill Bit (Size "Q") | |



GTF1



1399DB

Jiffy "GREASE-TITE" SEAL FASTENER is UL listed and conforms to NFPA 96 requirements. Its design gives installers a UL listed method of fastening items to hoods and plenums in a kitchen ventilation system. The fastener combines the thread producing features with a high temperature thread jamming coating. The friction from installing the screw activates the thread jammer to assure the grease-tight seal. The package includes a double-ended $\frac{1}{8}$ " pilot drill with a 135 degree split point design for drilling through stainless steel. The 10 mm magnetic driver is used with most drill motors to drive the screw into the $\frac{1}{8}$ " pilot hole.

| P/N | DESCRIPTION | EACH |
|--------|---|------|
| GTF1 | Grease-Tite Fastener, Pkg/24 | |
| TL1395 | 10 mm Magnetic Power Driver For Grease-Tite Fastener | |
| 1399DB | Double Ended $\frac{1}{8}$ " Pilot Drill Bit | |



TL1395

In Use photos may show items not included or available separately.

A **Brooks** exclusive! This **EMT FITTING** is custom made to fit all **Jiffy "Grease-Tite"** threaded adapters quickly, easily, and without force. Since zinc die cast fittings can melt (when there's a fire) these fittings are a better choice because they're zinc-plated steel, and use inside a hood canopy guards against failure (due to high heat) and helps ensure proper fire suppression system operation.

| P/N | DESCRIPTION | EACH |
|------|---|------|
| 2232 | Steel 1/2" EMT Fitting For Hood Seals/Link Brackets (Will Screw into QSA2) | |



2232

BROOKS CORNER PULLEYS

Brooks' high-temperature ball bearing **COMPRESSION CORNER PULLEY** is UL listed with the **Amerex**® system and UL classified for **Ansul**®, **Kidde**, **Pyro-Chem**®, and **Range Guard**® systems, per NFPA 17 and 17A. Steel compression nuts eliminate thread stripping, and they have more threads than most, for a stronger, easier-to-install corner pulley. Ball bearing rollers are pressed into place and stay when you remove the cover too.

| P/N | DESCRIPTION |
|-----|---------------------------|
| CP5 | Compression Corner Pulley |



CP5

Brooks' high-temperature set screw **CORNER PULLEY** with ball bearing roller.

| P/N | DESCRIPTION |
|-----|-------------------------|
| CP8 | Set Screw Corner Pulley |



CP8



CP7

Brooks' low-temperature **"SWING" COVER CORNER PULLEYS.**

| P/N | DESCRIPTION |
|-----|----------------------------------|
| CP2 | Swing Cover Corner Pulley |
| CP6 | Conduit Corner Pulley |
| CP7 | Threaded Corner Pulley, 1/2" NPT |



CP2



CP3

Brooks' **THREE-WAY CORNER PULLEY** with dual rollers.

| P/N | DESCRIPTION |
|-----|---------------------|
| CP3 | 3-Way Corner Pulley |

©BROOKS EQUIPMENT COMPANY, LLC 2016. ALL RIGHTS RESERVED. BROOKS EQUIPMENT® IS A REGISTERED TRADEMARK OF BROOKS EQUIPMENT, LLC.

Ansul® is a registered mark of Tyco Fire Products LP.



OEM CORNER PULLEYS

Amerex® CORNER PULLEYS.

| P/N | DESCRIPTION |
|---------|---------------|
| AX12309 | Corner Pulley |
| AX12506 | Tee Pulley |

EACH



Ansul® CORNER PULLEYS.

| P/N | DESCRIPTION |
|----------|-------------------------|
| A423250 | Corner Pulley |
| PC427929 | Tee Pulley |
| A415670 | Set Screw Corner Pulley |

EACH



Badger™ Range Guard® CORNER PULLEYS.

| P/N | DESCRIPTION |
|---------|---------------|
| B844648 | Corner Pulley |
| B843792 | Tee Pulley |

EACH

Kidde CORNER PULLEYS.

| P/N | DESCRIPTION |
|---------|---------------------------|
| K844648 | Compression Corner Pulley |
| K843792 | Tee Pulley |

EACH

Pyro-Chem® CORNER PULLEYS.

| P/N | DESCRIPTION |
|----------|---------------------------|
| PC423250 | Compression Corner Pulley |
| PC415670 | Set Screw Corner Pulley |
| PC427929 | Tee Pulley |

EACH



Heavy-duty **TUBING CUTTER** comes with a hardened steel reamer and spare cutting wheel.

| P/N | DESCRIPTION |
|---------|-----------------------------|
| ITC1000 | Tubing Cutter |
| 1000TC | Tubing Cutter, Domestic |
| TCB | Extra Cutting Blades, Pkg/2 |

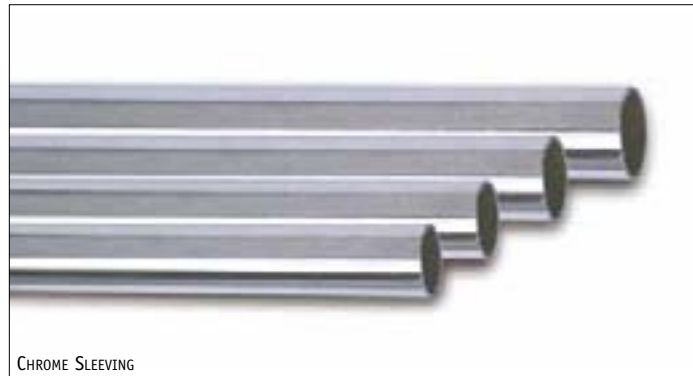
EACH

Ansul® is a registered mark of Tyco Fire Products L.P.

CHROME SLEEVING

High-luster **CHROME SLEEVING** is made of 22 ga steel (minimum) and the **CS25** is the actual chrome conduit size, so there's no need for sleeving.

| | |
|------------|-------------------------------------|
| P/N | DESCRIPTION |
| CS25 | 6' Chrome 1/2" Conduit |
| CS38 | 6' Chrome Sleeving For 3/8" Pipe |
| CS50 | 6' Chrome Sleeving For 1/2" Pipe |
| CS75 | 6' Chrome Sleeving For 3/4" Pipe |
| CS100 | 6' Chrome Sleeving For 1" Pipe |

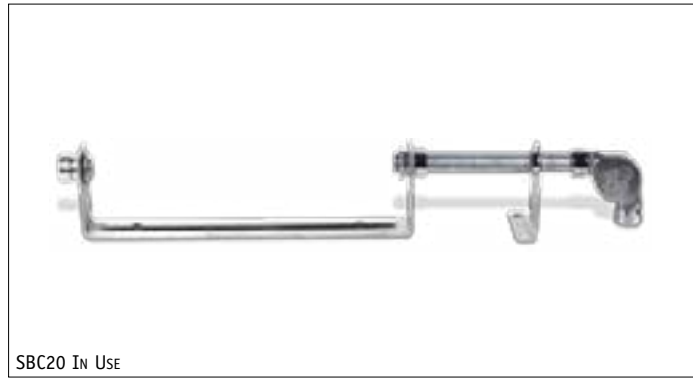


CHROME SLEEVING

Designed for conduit and pipe, **STAND OFF BRACKETS** are made from zinc-plated 16 ga steel, making pipe installations neat and rigid (pipes will not move). Conduit brackets line up to link bracket holes as indicated. Available in low- and high-profile versions. Priced and sold 25 per box.

| P/N | DESCRIPTION | A | B | EACH |
|------------|--|----------|----------|-------------|
| SBC05 | Stand Off Bracket For 1/2" Conduit (Compatible w/ Ansul, Amerex, Buckeye, Pyro-Chem, & LBK3) | 2 5/8" | 1 7/8" | |
| SBC20 | Stand Off Bracket For 1/2" Conduit (Compatible w/ Range Guard & Kidde) | 3 1/4" | 2 1/2" | |
| SBP10 | Stand Off Bracket, Low Profile For 3/8" Pipe | 2 1/4" | 1 1/2" | |
| SBP38 | Stand Off Bracket, High Profile For 3/8" Pipe | 3 1/4" | 2 1/2" | |
| SBP15 | Stand Off Bracket, Low Profile For 1/2" Pipe | 2 5/8" | 1 7/8" | |
| SBP25 | Stand Off Bracket, High Profile For 1/2" Pipe | 3 1/4" | 2 1/2" | |

A= OVERALL HEIGHT OF BRACKET
B= TO CENTER OF HOLE



SBC20 In Use



SBP15 In Use



SBP25 In Use

PIPE NIPPLES

Strong, lightweight **FireTech™ NIPPLE TOTE BOX** holds 3/8" and 1/2" nipples (close thru 6") and features a fold-away handle for easy storage. Box is constructed from 18 ga epoxy-coated steel for long-lasting durability. Has 77 compartments and measures 10 3/8"L x 6 1/2"H x 7 3/8"W. Red.

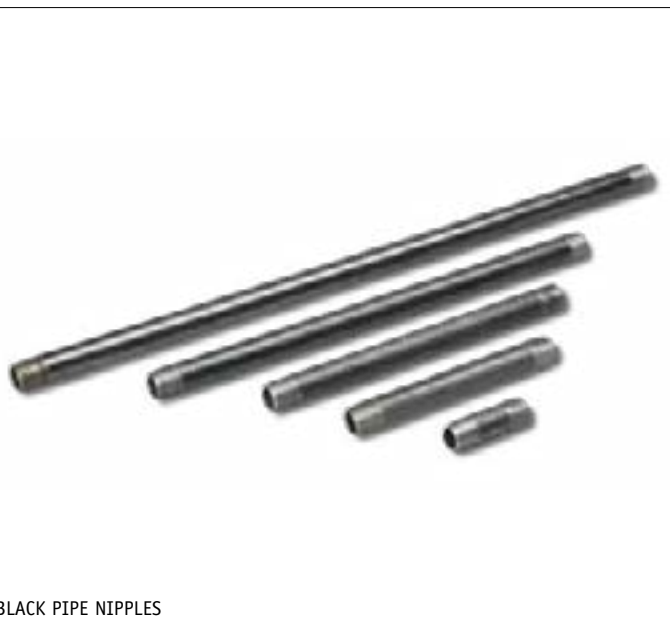
| | | |
|------------|-----------------------|-------------|
| P/N | DESCRIPTION | EACH |
| PNT1 | Steel Nipple Tote Box | |



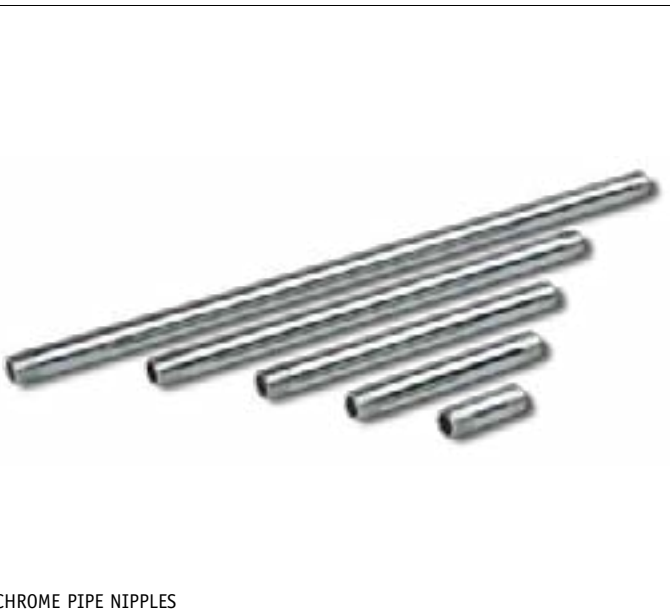
PNT1 In Use

©BROOKS EQUIPMENT COMPANY, LLC 2016. ALL RIGHTS RESERVED. BROOKS EQUIPMENT® IS A REGISTERED TRADEMARK OF BROOKS EQUIPMENT, LLC.

In Use photos may show items not included or available separately.



BLACK PIPE NIPPLES



CHROME PIPE NIPPLES



N388410

$\frac{1}{8}$ " and $\frac{1}{4}$ " **BLACK PIPE NIPPLES** are threaded on both ends. Sold in boxes of 25 and priced each.

| P/N | DESCRIPTION |
|-------|--|
| N1800 | $\frac{1}{8}$ " Close Black Pipe Nipple |
| N2500 | $\frac{1}{4}$ " Close Black Pipe Nipple |
| N2515 | $\frac{1}{4}$ " x $1\frac{1}{2}$ " Black Pipe Nipple |
| N2520 | $\frac{1}{4}$ " x 2" Black Pipe Nipple |
| N2525 | $\frac{1}{4}$ " x $2\frac{1}{2}$ " Black Pipe Nipple |
| N2530 | $\frac{1}{4}$ " x 3" Black Pipe Nipple |
| N2540 | $\frac{1}{4}$ " x 4" Black Pipe Nipple |
| N2550 | $\frac{1}{4}$ " x 5" Black Pipe Nipple |
| N2560 | $\frac{1}{4}$ " x 6" Black Pipe Nipple |

$\frac{3}{8}$ " **BLACK** and $\frac{3}{8}$ " **CHROME PIPE NIPPLES** are threaded on both ends. Pipe nipples come in boxes of 25 for each size/length (up to 12"). On the larger sizes, it's 10 per box for each size. Priced each.

| BLACK | | CHROME | |
|------------------------|------------------------------------|-----------------------------|------------------------------------|
| P/N | DESCRIPTION | P/N | DESCRIPTION EACH |
| N3800 | $\frac{3}{8}$ " Close | CRN3800 | $\frac{3}{8}$ " Close |
| N3815 | $\frac{3}{8}$ " x $1\frac{1}{2}$ " | CRN3815 | $\frac{3}{8}$ " x $1\frac{1}{2}$ " |
| N3820 | $\frac{3}{8}$ " x 2" | CRN3820 | $\frac{3}{8}$ " x 2" |
| N3825 | $\frac{3}{8}$ " x $2\frac{1}{2}$ " | CRN3825 | $\frac{3}{8}$ " x $2\frac{1}{2}$ " |
| N3830 | $\frac{3}{8}$ " x 3" | CRN3830 | $\frac{3}{8}$ " x 3" |
| N3835 | $\frac{3}{8}$ " x $3\frac{1}{2}$ " | CRN3835 | $\frac{3}{8}$ " x $3\frac{1}{2}$ " |
| N3840 | $\frac{3}{8}$ " x 4" | CRN3840 | $\frac{3}{8}$ " x 4" |
| N3845 | $\frac{3}{8}$ " x $4\frac{1}{2}$ " | CRN3845 | $\frac{3}{8}$ " x $4\frac{1}{2}$ " |
| N3850 | $\frac{3}{8}$ " x 5" | CRN3850 | $\frac{3}{8}$ " x 5" |
| N3855 | $\frac{3}{8}$ " x $5\frac{1}{2}$ " | CRN3855 | $\frac{3}{8}$ " x $5\frac{1}{2}$ " |
| N3860 | $\frac{3}{8}$ " x 6" | CRN3860 | $\frac{3}{8}$ " x 6" |
| N3880 | $\frac{3}{8}$ " x 8" | CRN3880 | $\frac{3}{8}$ " x 8" |
| N3810 | $\frac{3}{8}$ " x 10" | CRN3810 | $\frac{3}{8}$ " x 10" |
| N3812 | $\frac{3}{8}$ " x 12" | CRN3812 | $\frac{3}{8}$ " x 12" |
| P/N DESCRIPTION | | P/N DESCRIPTION EACH | |
| N3814 | $\frac{3}{8}$ " x 14" | CRN3816 | $\frac{3}{8}$ " x 16" |
| N3816 | $\frac{3}{8}$ " x 16" | CRN3818 | $\frac{3}{8}$ " x 18" |
| N3818 | $\frac{3}{8}$ " x 18" | CRN3824 | $\frac{3}{8}$ " x 24" |
| N3824 | $\frac{3}{8}$ " x 24" | CRN38300 | $\frac{3}{8}$ " x 30" |
| N38300 | $\frac{3}{8}$ " x 30" | CRN3836 | $\frac{3}{8}$ " x 36" |
| N3836 | $\frac{3}{8}$ " x 36" | | |
| N3848 | $\frac{3}{8}$ " x 48" | | |

$\frac{1}{2}$ " **BLACK PIPE NIPPLES** are threaded on both ends. Pipe nipples come in boxes of 25 for each size/length (up to 12"). On the larger sizes, it's 10 per box for each size. Priced each.

| P/N | DESCRIPTION |
|-------|--|
| N5000 | $\frac{1}{2}$ " Close Black Pipe Nipple |
| N5015 | $\frac{1}{2}$ " x $1\frac{1}{2}$ " Black Pipe Nipple |
| N5020 | $\frac{1}{2}$ " x 2" Black Pipe Nipple |
| N5025 | $\frac{1}{2}$ " x $2\frac{1}{2}$ " Black Pipe Nipple |
| N5030 | $\frac{1}{2}$ " x 3" Black Pipe Nipple |
| N5035 | $\frac{1}{2}$ " x $3\frac{1}{2}$ " Black Pipe Nipple |
| N5040 | $\frac{1}{2}$ " x 4" Black Pipe Nipple |
| N5045 | $\frac{1}{2}$ " x $4\frac{1}{2}$ " Black Pipe Nipple |
| N5050 | $\frac{1}{2}$ " x 5" Black Pipe Nipple |
| N5055 | $\frac{1}{2}$ " x $5\frac{1}{2}$ " Black Pipe Nipple |
| N5060 | $\frac{1}{2}$ " x 6" Black Pipe Nipple |
| N5012 | $\frac{1}{2}$ " x 12" Black Pipe Nipple |

| P/N | DESCRIPTION |
|-------|----------------------------------|
| N5018 | $\frac{1}{2}$ " x 18" Black Pipe |
| N5024 | $\frac{1}{2}$ " x 24" Black Pipe |
| N5036 | $\frac{1}{2}$ " x 36" Black Pipe |

Threaded **BLACK PIPE** in longer lengths save you money. Buy in packages of 10 and save even more. Cartons of 10 ship UPS. Priced each.

| P/N | DESCRIPTION | EACH |
|---------|--|------|
| N3884 | $\frac{3}{8}$ " x 84" Black Pipe | |
| N388410 | $\frac{3}{8}$ " x 84" Black Pipe, Pkg/10 | |
| N5084 | $\frac{1}{2}$ " x 84" Black Pipe | |
| N508410 | $\frac{1}{2}$ " x 84" Black Pipe, Pkg/10 | |

BLACK PIPE FITTINGS

90° ELBOWS

| P/N | DESCRIPTION | PKG QTY | EACH | PKG |
|-----|------------------------|---------|------|-----|
| BP1 | Black, 1/4", 90° Elbow | 35 | | |
| BP2 | Black, 3/8", 90° Elbow | 45 | | |
| BP3 | Black, 1/2", 90° Elbow | 50 | | |
| BP4 | Black, 3/4", 90° Elbow | 35 | | |



BP3

45° ELBOWS

| P/N | DESCRIPTION | PKG QTY | EACH | PKG |
|-----|------------------------|---------|------|-----|
| BP7 | Black, 3/8", 45° Elbow | 50 | | |
| BP8 | Black, 1/2", 45° Elbow | 50 | | |
| BP9 | Black, 3/4", 45° Elbow | 40 | | |



BP8

90° REDUCING ELBOWS and STREET ELBOW.

| P/N | DESCRIPTION | PKG QTY | EACH | PKG |
|------|--|---------|------|-----|
| BP36 | Black, 1/2" x 3/8", 90° Reducing Elbow | 50 | | |
| BP37 | Black, 1/2" x 3/4", 90° Reducing Elbow | 40 | | |
| BP49 | Black, 3/8", 90° Street Elbow | 40 | | |



BP36

BP49

TEES

| P/N | DESCRIPTION | PKG QTY | EACH | PKG |
|------|--------------------------------|---------|------|-----|
| BP11 | Black, 1/4" Tee | 45 | | |
| BP12 | Black, 3/8" Tee | 25 | | |
| BP13 | Black, 1/2" Tee | 35 | | |
| BP14 | Black, 3/4" Tee | 20 | | |
| BP45 | Black, 1/2" x 1/2" x 3/8" Bull | 20 | | |
| BP52 | Black, 1/2" x 1/2" x 3/4" Bull | 30 | | |



BP13

COUPLINGS

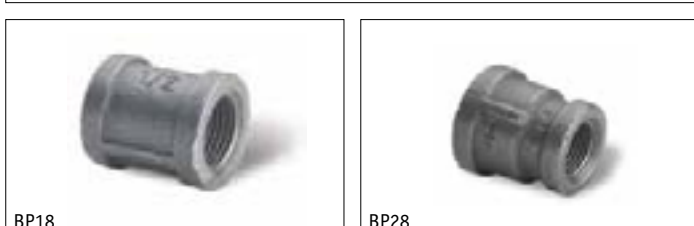
| P/N | DESCRIPTION | PKG QTY | EACH | PKG |
|------|----------------------|---------|------|-----|
| BP16 | Black, 1/4" Coupling | 40 | | |
| BP17 | Black, 3/8" Coupling | 50 | | |
| BP18 | Black, 1/2" Coupling | 40 | | |
| BP19 | Black, 3/4" Coupling | 50 | | |



BP13

REDUCING COUPLINGS

| P/N | DESCRIPTION | PKG QTY | EACH | PKG |
|------|-----------------------------------|---------|------|-----|
| BP26 | Black, 3/8" x 1/4" Reducing Cplg. | 30 | | |
| BP27 | Black, 1/4" x 1/8" Reducing Cplg. | 50 | | |
| BP28 | Black, 1/2" x 3/8" Reducing Cplg. | 40 | | |
| BP29 | Black, 3/4" x 1/2" Reducing Cplg. | 60 | | |



BP45

← BULL

UNIONS

| P/N | DESCRIPTION | PKG QTY | EACH | PKG |
|------|-------------------|---------|------|-----|
| BP21 | Black, 1/4" Union | 20 | | |
| BP22 | Black, 3/8" Union | 20 | | |
| BP23 | Black, 1/2" Union | 40 | | |
| BP24 | Black, 3/4" Union | 40 | | |



BP18

BP28

BUSHINGS

| P/N | DESCRIPTION | PKG QTY | EACH | PKG |
|------|----------------------------|---------|------|-----|
| BP38 | Black, 3/8" x 1/4" Bushing | 75 | | |
| BP39 | Black, 3/4" x 1/2" Bushing | 40 | | |
| BP44 | Black, 1/2" x 3/8" Bushing | 100 | | |
| BP46 | Black, 3/4" x 3/8" Bushing | 40 | | |
| BP47 | Black, 1/2" x 1/4" Bushing | 100 | | |



BP23

BP44

LOCKNUTS

| P/N | DESCRIPTION | PKG QTY | EACH | PKG |
|------|---------------------|---------|------|-----|
| BP41 | Black, 3/8" Locknut | 125 | | |
| BP42 | Black, 1/2" Locknut | 125 | | |
| BP43 | Black, 3/4" Locknut | 60 | | |



BP42

BP50

PLUG

| P/N | DESCRIPTION | PKG QTY | EACH | PKG |
|------|------------------|---------|------|-----|
| BP48 | Black, 1/4" Plug | 100 | | |
| BP50 | Black, 3/8" Plug | 100 | | |
| BP51 | Black, 1/2" Plug | 50 | | |



PFT2 In Use

The **FireTech™ FITTINGS TOTE TRAY** is ideal for organizing and carrying a wide variety of fittings. Manufactured from 18 ga epoxy-coated steel for superior durability and strength. Features a fold-away handle for easy storage, seven compartments, and measures 15"L x 5"H x 10"W. Red.

| P/N | DESCRIPTION | EACH |
|------|--------------------|------|
| PFT2 | Fittings Tote Tray | |

CHROME PIPE FITTINGS

90° ELBOWS

| P/N | DESCRIPTION | PKG QTY | EACH | PKG |
|-----|-------------------------|---------|------|-----|
| CR1 | Chrome, 1/4", 90° Elbow | 35 | | |
| CR2 | Chrome, 3/8", 90° Elbow | 45 | | |
| CR3 | Chrome, 1/2", 90° Elbow | 50 | | |
| CR4 | Chrome, 3/4", 90° Elbow | 35 | | |

45° ELBOWS

| P/N | DESCRIPTION | PKG QTY | EACH | PKG |
|-----|-------------------------|---------|------|-----|
| CR7 | Chrome, 3/8", 45° Elbow | 50 | | |
| CR8 | Chrome, 1/2", 45° Elbow | 50 | | |

90° REDUCING ELBOW and STREET ELBOW.

| P/N | DESCRIPTION | PKG QTY | EACH | PKG |
|------|---|---------|------|-----|
| CR36 | Chrome, 1/2" x 3/8", 90° Reducing Elbow | 50 | | |
| CR49 | Chrome, 3/8", 90° Street Elbow | 40 | | |

TEES

| P/N | DESCRIPTION | PKG QTY | EACH | PKG |
|------|---------------------------------|---------|------|-----|
| CR12 | Chrome, 3/8" Tee | 25 | | |
| CR13 | Chrome, 1/2" Tee | 35 | | |
| CR45 | Chrome, 1/2" x 1/2" x 3/8" Bull | 20 | | |

COUPLINGS and BUSHINGS.

| P/N | DESCRIPTION | PKG QTY | EACH | PKG |
|------|---------------------------------------|---------|------|-----|
| CR17 | Chrome, 3/8" Coupling | 50 | | |
| CR18 | Chrome, 1/2" Coupling | 40 | | |
| CR28 | Chrome, 1/2" x 3/8" Reducing Coupling | 40 | | |
| CR44 | Chrome, 1/2" x 3/8" Bushing | 100 | | |

UNIONS

| P/N | DESCRIPTION | PKG QTY | EACH | PKG |
|------|--------------------|---------|------|-----|
| CR22 | Chrome, 3/8" Union | 20 | | |
| CR23 | Chrome, 1/2" Union | 40 | | |
| CR24 | Chrome, 3/4" Union | 40 | | |

PLUG

| P/N | DESCRIPTION | PKG QTY | EACH | PKG |
|------|-------------------|---------|------|-----|
| CR50 | Chrome, 3/8" Plug | 100 | | |



CR2



CR7



CR36



CR49



CR12



CR17



CR28



CR22



CR44

In Use photos may show items not included or available separately.

GAS VALVES

Pull-Tite ASCO® MECHANICAL GAS VALVES are UL classified for use in **Range Guard®**, **Pyro-Chem®**, and **Kidde** fire systems, per NFPA 17 and 17A and listed with the **Amerex®** system. The largest size available is 3".

NOTE: Valve disassembly voids the manufacturer's warranty.

| P/N | DESCRIPTION |
|--------|-----------------------------|
| GVA75 | 3/4" Mechanical Gas Valve |
| GVA100 | 1" Mechanical Gas Valve |
| GVA125 | 1 1/4" Mechanical Gas Valve |
| GVA150 | 1 1/2" Mechanical Gas Valve |
| GVA200 | 2" Mechanical Gas Valve |
| GVA250 | 2 1/2" Mechanical Gas Valve |
| GVA300 | 3" Mechanical Gas Valve |

Trip-to-Close ASCO® MECHANICAL GAS VALVES are UL classified for use in **Ansul®** systems and listed with the **Amerex®** system per NFPA 17 and 17A. The largest size available is 3".

NOTE: Valve disassembly voids the manufacturer's warranty.

| P/N | DESCRIPTION |
|--------|---|
| GVB75 | 3/4" Mechanical Gas Valve |
| GVB100 | 1" Mechanical Gas Valve |
| GVB125 | 1 1/4" Mechanical Gas Valve |
| GVB150 | 1 1/2" Mechanical Gas Valve |
| GVB200 | 2" Mechanical Gas Valve |
| GVB250 | 2 1/2" Mechanical Gas Valve |
| GVB300 | 3" Mechanical Gas Valve |
| GVBPC | Cover Plate |
| | For GVB-Style Gas Valve |

PNEUMATIC PISTON for actuation of a mechanical gas valve (**GVB**) is UL classified for use in **Ansul®** systems, per NFPA 17 and 17A and manufacturer's installation instructions.

| P/N | DESCRIPTION |
|--------|----------------------------------|
| PKA | Pneumatic Piston Kit |
| | Compare to Ansul |
| PKAKIT | Replacement Hardware (Only) |

ASCO® ELECTRICAL GAS VALVES are for use in all systems and come normally closed without power. The largest size available is 3".

NOTE: All valves must be mounted with the solenoid vertical and upright. Valve disassembly voids the manufacturer's warranty.

| P/N | DESCRIPTION |
|------------|---|
| GVC75 | 3/4", 110 VAC Electric Gas Valve |
| GVC100 | 1", 110 VAC Electric Gas Valve |
| GVC125 | 1 1/4", 110 VAC Electric Gas Valve |
| GVC150 | 1 1/2", 110 VAC Electric Gas Valve |
| GVC200 | 2", 110 VAC Electric Gas Valve |
| GVC250 | 2 1/2", 110 VAC Electric Gas Valve |
| GVC300 | 3", 110 VAC Electric Gas Valve |
| → GVG24100 | 1", 24 VDC Electric Gas Valve |
| → GVG24125 | 1 1/4", 24 VDC Electric Gas Valve |
| → GVG24150 | 1 1/2", 24 VDC Electric Gas Valve |
| → GVG24200 | 2", 24 VDC Electric Gas Valve |
| COIL7 | Replacement Coil |
| | For GVC75 Gas Valves |
| COIL8 | Replacement Coil |
| | For GVC100-200 Gas Valves |
| COIL11 | Replacement Coil |
| | For GVC250-300 Gas Valves |
| RCAP | Red Plastic Cap |



GVA75



GVB125



PKA



GVC100 w/ RCAP IN Use



COIL7



RCAP

In Use photos may show items not included or available separately.
 Ansul® is a registered mark of Tyco Fire Products LP.



GAS VALVE ACCESSORIES

GAS VALVE BOX for use with **GVA** gas valve. (Use **Channellock® Locknut Pliers** for quick and easy adjustments of **GVNUT**).

| P/N | DESCRIPTION |
|-------|---|
| GVBOX | Box & Cover For GVA Valve |
| GVNUT | Special Nut For Fastening GVBOX to GVA Valve |



UNIVERSAL GAS VALVE KIT fits all **GVA** gas valves. Comes with hardware to install the gas valve as a release-to-close or trip-to-close operation. (Use **Channellock® Locknut Pliers** for quick and easy adjustments of **GVNUT**).

| P/N | DESCRIPTION |
|-----|-------------------------|
| GVK | Universal Gas Valve Kit |



TL960



TL960 In Use

LOCKNUT PLIERS for quick, easy adjustments of **GVNUT**. The thin profile is ideal for use in tight wire confined electrical boxes. Spring-loaded handles lock for easy storage and the handle shape allows for both right- and left-handed use.

| P/N | DESCRIPTION | EACH |
|-------|--|------|
| TL960 | Locknut Pliers Fits Sizes: 1/2", 3/4", 1", 1 1/4", 1 1/2" | |



TL960 In Use



KCB

CABLE BLOCK to be used with **GVA** valve on **Kidde** systems.

| P/N | DESCRIPTION | EACH |
|-----|-------------------|------|
| KCB | Kidde Cable Block | |

RESET RELAYS AND CONTACTORS

RESET RELAYS are UL listed and required when using an electric gas valve. Wiring diagrams permanently attached inside the cover offers easy reference. Complete wiring and installation instructions are also included. Must be installed in accordance with system manufacturer's instructions (not included). Contacts are rated at 10 A.

| P/N | DESCRIPTION | EACH |
|-------|--------------------------|------|
| SRR | Reset Relay, 110/120 VAC | |
| SRR24 | Reset Relay, 24 VDC | |



SRR

ELECTRICAL CONTACTORS are UL recognized components.

| P/N | DESCRIPTION |
|--------|---------------------------------|
| 40A110 | 40 A, 3-Pole Resistive, 110 VAC |
| 40A220 | 40 A, 3-Pole Resistive, 220 VAC |
| 50A110 | 50 A, 3-Pole Resistive, 110 VAC |
| 50A220 | 50 A, 3-Pole Resistive, 220 VAC |
| 75A110 | 75 A, 3-Pole Resistive, 110 VAC |



504A110

STEEL ENCLOSURES with baked on finish predrilled with mounting holes to fit the above electrical contactors.

| P/N | DESCRIPTION |
|----------|---|
| 4050CE* | Enclosure For 40/50 A, 3-Pole Contactors |
| → 4075CE | Enclosure, Gray For 40/5 A, 3-Pole & Higher Contactors |

*WHILE QUANTITIES LAST!



4075CE



4050CE

The **P2RHK120 HORN STROBE** is UL listed for outdoor use and can operate in extreme temperatures (-40°F–151°F) and wet or dry conditions. Includes back box.

| P/N | DESCRIPTION |
|----------|------------------------------------|
| P2RHK120 | 120 VAC Outdoor Horn/Strobe w/ Box |



P2RHK120



AB6

The **AB6 ALARM BELL** is available in either 120 VAC or 24 VDC operation.

NOTE: NFPA requires an audible or visual indicator to show that the system has operated, that personnel response is needed, and that the system is in need of recharge.

| P/N | DESCRIPTION |
|-------|---|
| AB6 | 6" Alarm Bell (120 VAC) |
| AB624 | 6" Alarm Bell (24 VDC) |
| ABBB | Weatherproof Backbox For Alarm Bells |



HOLECUTTING SYSTEM II is offered with either a 1/2" Milwaukee® Holeshooter variable speed corded drill or a 1/2" DeWalt® 3-speed 18V cordless drill with two batteries and a charger. The patented **Holecutting System II** is designed to simplify and expedite the job of drilling holes in stainless steel, carbon steel, and other hardened metals. Stainless steel requires a low cutting speed of about 60 surface feet per minute (SFPM), roughly half that of low carbon steel, to minimize friction and heat build-up. The patented cutter design along with the coaxial speed reducer offers a 4:1 gear reduction for the cutter and no reduction for the pilot drill, making it ideal for cutting holes in stainless steel. The pilot drill features a 135° split-point design to ease the starting and centering of the hole. And an existing hole can be enlarged by simply nesting the current hole size cutter inside the new size cutter.

SYSTEMS INCLUDES:

(1) Arbor, (1) 4" Arbor Extension, (1) 1/2" Stem Adapter, (1) Cutting Lubricant Stick, (1) Speed Reducer, (2) Pilot Drills, Loosening Washers, (1) Hex-Key Wrench, (2) Open-End Wrenches, (1) Clamp & Handle, (1) Original Drill Motor Chuck, Cases, (5) Cutters—3/4", 7/8", 1 1/8", 1 3/8", & 1 7/8".

| P/N | DESCRIPTION | EACH |
|-------|---|------|
| HCSM | Complete Hole Cutting System w/ Milwaukee Drill | |
| HCS D | Complete Hole Cutting System w/ Cordless Dewalt Drill | |



These patented **CUTTERS** were designed to withstand the hardness of stainless steel, making drilling holes easier than using a standard hole saw. Their three-tooth design increases cutting pressure for quicker cut holes, saving you money and increasing the cutter life. The **ARBOR** is used when placing the cutters into an ordinary drill chuck (without a speed reducer).

| P/N | DESCRIPTION | EACH |
|-------|-------------------------|------|
| HC614 | 7/8" Hole Cutter | |
| HC618 | 1 1/8" Hole Cutter | |
| HC622 | 1 3/8" Hole Cutter | |
| HC626 | 1 7/8" Hole Cutter | |
| HC600 | Arbor | |
| HC437 | Arbor Extension | |
| HC490 | Replacement Collar | |
| HC455 | Replacement Set Screw | |
| HC705 | Cutting Lubricant Stick | |



Blu-Mol® Xtreme HOLE CUTTERS feature **Tri-Cut Tungsten Carbide Tips** with three distinct cutting edges that balance their cutting performance for longer blade life and better heat resistance. They also come with safety collar stops to prevent over-cutting and side holes that remove chips for increased operating speed. They offer 1" depth of cut with self-ejecting plug removal too. Cuts steel, aluminum, and iron up to 1" thick. 3/8" (10 mm) chuck shanks standard.

| P/N | DESCRIPTION | EACH |
|------------|--|------|
| → E0102338 | Blu-Mol Xtreme Hole Cutter, 3/4" (19 mm) | |
| → E0102340 | Blu-Mol Xtreme Hole Cutter, 7/8" (22 mm) | |
| → E0102342 | Blu-Mol Xtreme Hole Cutter, 1" (25 mm) | |
| → E0102350 | Blu-Mol Xtreme Hole Cutter, 1 1/2" (38 mm) | |



These **PILOT DRILL BITS** are optimized for cutting stainless steel. Their 135° split-point design improves the ease of starting the hole and finish drilling. And you get “two in one”, just turn them around and the other ends are brand new bits.

| P/N | DESCRIPTION | EACH |
|--------|-----------------------|------|
| HC435 | 3/16" Pilot Drill Bit | |
| 1399DB | 1/8" Pilot Drill Bit | |

Quick Mount FASTENERS and **INSTALLATION TOOLS**

for hood penetration requirements. NFPA 96 requires any penetrations in the hood exterior to be sealed with a listed device or by a liquid-tight, continuous external weld. **Brooks' GMT** is UL listed for mounting hardware in the hood or duct. By using the **Quick Mount** fasteners and “**Grease-Tite**” adapters, you can meet code without welding. Simple three-step installation: Drill hole with **QDRILL**, insert **GMT** through the hole, and clinch using a **QMT**.

| P/N | DESCRIPTION | EACH |
|---------|-------------------------------------|------|
| QMT | Quick Mount Fastener, Pkg/10 | |
| QMS | 1/4" - 20 Screw, Pkg/100 For QMT | |
| QMT00L | Lever-Type Installation Tool | |
| QMTA | Replacement Arbor For QMT00L | |
| QMT00LM | Wrench-Type Installation Tool | |
| QDRILL | Quick Mount Drill Bit (Size “Q”) | |

CARBIDE TIPPED HOLE SAWS feature heat-resistant teeth for maximum performance and service life. Great for cutting stainless steel when using a lubricant at slow speeds. Arbor sold separately.

NOTE: Cut hole in sponge, leave in saw, and soak with oil.

| P/N | DESCRIPTION | EACH |
|--------|----------------------------------|------|
| HS214 | 7/8" Carbide Hole Saw | |
| HS218 | 1 1/8" Carbide Hole Saw | |
| HS222 | 1 3/8" Carbide Hole Saw | |
| HSA5 | Arbor For 7/8", 1 1/8" Saw | |
| HSA6 | Arbor For 1 3/8" Saw | |
| HSD297 | 1/4" Carbide Tip Pilot Drill Bit | |
| HSD851 | 1/4" Pilot Drill Bit | |

VARI-BIT STEP DRILL cuts faster and lasts longer than hole saws. No pilot holes needed. Cuts up to a 1 3/8" hole.

NOTE: Use lubricant and slow speed to maximize life of cutting edges.

| P/N | DESCRIPTION | EACH |
|------|-----------------------|------|
| VB12 | 1 3/8" Step Drill Bit | |

COBALT DRILL BITS are made of 8% cobalt HSS and designed for heavy-duty drilling through stainless steel.

| P/N | DESCRIPTION | EACH |
|---------|---|------|
| 40324DB | 3/8" Cobalt Drill Bit | |
| 41327DB | #27 Cobalt Drill Bit For #10 Sheet Metal Screw | |
| QDRILL | Quick Mount Drill Bit (Size “Q”) | |

For Additional Tools, See Section 10.



HC435



QMT00L



QMS, QMT



QMT00LM



HSA5



HS218 w/ HSA5 IN USE



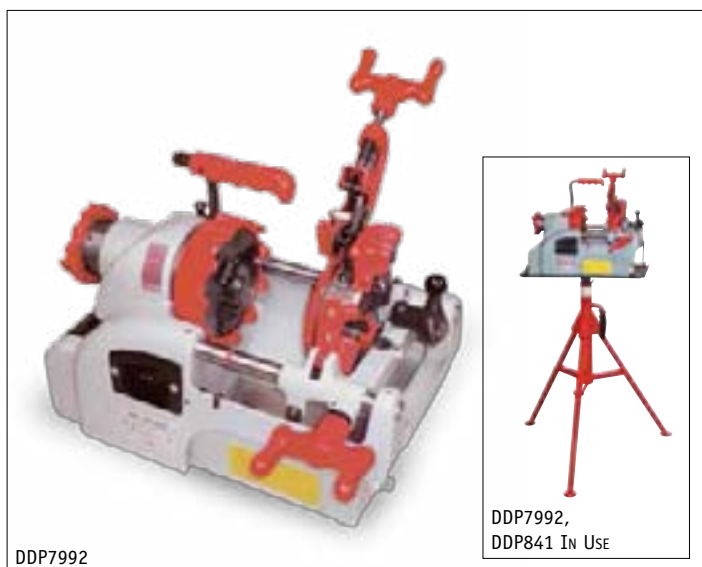
VB12



COBALT DRILL BITS

©BROOKS EQUIPMENT COMPANY, LLC 2016. ALL RIGHTS RESERVED. BROOKS EQUIPMENT® IS A REGISTERED TRADEMARK OF BROOKS EQUIPMENT, LLC.

In Use photos may show items not included or available separately.



The **Sidekick II** is a full-featured **THREADING MACHINE** with a manual opening die head for 1/4"–1" NPT dies. Front and rear chucks are a great feature as are the safety auto shut-off, larger carriage, and unique one-blade reamer. The **Sidekick II** has a noise level of 88 dB and no-load RPM of 55. Net weight is 63 lb. Comes with a three-year warranty that includes the electric motor and 1/2"–3/4" and 1" NPT dies. Optional threader stand available.

| P/N | DESCRIPTION | EACH |
|----------|------------------------------------|------|
| DDP7992 | Sidekick II Pipe Threading Machine | |
| DDP841 | Portable, Folding Threader Stand | |
| | Use w/ DDP7992 | |
| DDP60210 | 1/4"–3/8" NPT Dies | |
| | For DDP7992 | |
| 60210 | 1/4"–3/8" NPT Dies | |
| | For DDP7992 | |
| 60211 | 1/2"–3/4" NPT Dies | |
| | For DDP7992 | |



For optimal cutting performance, keep your pipe threaders filled with premium **THREAD-CUTTING OIL** from **Circle Cut**.

| P/N | DESCRIPTION |
|-------|---------------------------|
| TCOG | Thread Cutting Oil, 1 gal |
| TCOG5 | Thread Cutting Oil, 5 gal |



Craftsman® heavy-duty iron **PIPE WRENCHES** feature tough cast-iron housings and I-beam handles. They also come with full-floating hookjaws that use self-cleaning threads. Lifetime warranty. Red.

| P/N | DESCRIPTION | EACH |
|-------|------------------------------------|------|
| 10CPW | 10" Pipe Wrench 1 1/2" Capacity | |
| 14CPW | 14" Pipe Wrench 2" Capacity | |



Heavy-duty **TUBING CUTTER** comes with a hardened steel reamer and spare cutting wheel.

| P/N | DESCRIPTION | EACH |
|---------|-----------------------------|------|
| ITC1000 | Tubing Cutter | |
| 1000TC | Tubing Cutter, Domestic | |
| TCB | Extra Cutting Blades, Pkg/2 | |



Easy-to-use **FLARING TOOL** efficiently flares the pipe ends of seven common sizes (3/16"–5/8").

| P/N | DESCRIPTION | EACH |
|--------|------------------|------|
| TL2880 | Flaring Tool Set | |

For Additional Tools, See Section 10.

In Use photos may show items not included or available separately.

Make changing links fast and easy with our exclusive **LINKAGE PLIERS**. No more scrunching fingers and busting knuckles trying to release cable pressure on those difficult scissor brackets. Simply place the specially curved jaws in the bracket holes and squeeze for fast, effortless link replacement. Steel construction. A must for **Ansul®** and **Amerex®** system maintenance personnel.

| P/N | DESCRIPTION | EACH |
|-------|-------------------------------------|------|
| TL915 | System Linkage Pliers (Locking) | |
| TL910 | System Linkage Pliers (Non-Locking) | |



TL915 In Use



TL910 In Use

HOOD GREASE SCRAPER with 4" heavy-duty blade and a 6" handle. Designed for maximum hood cleaning efficiency. The **LABEL SCRAPER** with a standard razor blade has a patented trigger for a safe, easy way to adjust the blade.

| P/N | DESCRIPTION | EACH |
|-------|---|------|
| SB109 | Razor Blades, Pkg/100 | |
| LS105 | Label Scraper w/ Razor Blade | |
| HS690 | Hood Grease Scraper | |
| SB698 | Replacement Blades, Pkg/10 For HS690 | |

Our **FOLDING RAZOR SCRAPER** has a quick release so you can fold it and tuck the blade away safely. 8" open, 5" closed.

| P/N | DESCRIPTION | EACH |
|-------|-----------------------|------|
| HS723 | Folding Razor Scraper | |

25" TELESCOPIC MATCH EXTENDER for those hard-to-reach pilot lights. Compresses to pen size and comes with a pocket clip.

| P/N | DESCRIPTION | EACH |
|------|-------------------------------|------|
| ME25 | 25" Telescopic Match Extender | |

This magnetic **TORPEDO LEVEL** features a solid aluminum frame and a powerful magnetic edge for hands-free use. The durable acrylic vials read plumb, level, and 45°.

| P/N | DESCRIPTION | EACH |
|--------|---------------------------|------|
| TL9919 | 9" Magnetic Torpedo Level | |



HS690



LS105



HS723



ME25 In Use



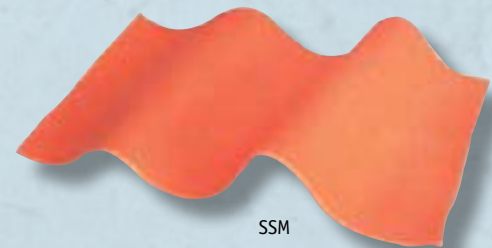
TL9919

© BROOKS EQUIPMENT COMPANY, LLC 2016. ALL RIGHTS RESERVED. BROOKS EQUIPMENT® IS A REGISTERED TRADEMARK OF BROOKS EQUIPMENT, LLC.

Cools Feet. Protects Appliances.

SYSTEM SERVICE MAT keeps your feet cool during system maintenance. And if you want to keep the mat clean and protect the appliance at the same time, cut a piece of plywood slightly smaller than the **System Service Mat** so that you can fold about an inch over to the back side and fasten it there. Then place (mat side down) over the appliance and step on the plywood to protect the appliance and the mat from contamination. After several uses remove the **System Service Mat**, turn it over, and reattach it to the plywood. Made of highly texturized silica-based yarns. Asbestos free. Good to 2000°F. Measures 20" x 36".

| P/N | DESCRIPTION | EACH |
|-----|--------------------|------|
| SSM | System Service Mat | |



SSM

In Use photos may show items not included or available separately. Ansul® is a registered mark of Tyco Fire Products LP.



TL960



TL960 In Use

FireTech's EZ-FILL SIPHON is not only easy but fast—transferring up to 3.5 gal of liquid per minute. The 6' clear hose is durable, flexible, non-toxic, and has a copper nipple that's anti-static and anti-spark for safety. Use to transfer liquids, including fuels, oils, water, paint, and more. To operate, make sure the liquid to be transferred is higher than the empty container. Submerge the **EZ-FILL SIPHON** and shake it to start the transfer.

| P/N | DESCRIPTION | EACH |
|--------|----------------------------|------|
| EZFILL | Liquid EZ-Fill Siphon Hose | |

Use these **LOCKNUT PLIERS** for quick and easy adjustments. The thin profile is ideal for use in tight wire confined electrical boxes or for tightening nuts on electrical fittings. Spring-loaded handles lock for safe storage, and the handle shape allows for both right- and left-handed use.

| P/N | DESCRIPTION | EACH |
|-------|--|------|
| TL960 | Locknut Pliers Fits Sizes: 1/2", 3/4", 1", 1 1/4", 1 1/2" | |

MANUAL PULL STATION GUARDS

Surface-mount **ROUND REMOTE PULL GUARD** for **Ansul**® or older **Kidde** remotes. Manual pull guards reduce false discharges of fire systems from accidental snagging of remote pulls on clothing, food carts, etc. Measures 2 3/8"D x 4 5/8" Dia.

| P/N | DESCRIPTION | EACH |
|-----|---------------------------------------|------|
| PG1 | Surface-Mount Round Remote Pull Guard | |

Recessed **ROUND REMOTE PULL GUARD** is compatible with **Ansul**. Manual pull guards reduce false discharges of fire systems from accidental snagging of remote pulls on clothing, food carts, etc. Measures 1 1/2"D x 4 1/4" Dia.

| P/N | DESCRIPTION | EACH |
|-----|----------------------------------|------|
| PG2 | Recessed Round Remote Pull Guard | |

Surface-mount **REMOTE PULL GUARD** for **Pyro-Chem**, **Range Guard**, **Kidde**, **Amerex**, or **Buckeye**. Manual pull guards reduce false discharges of fire systems from accidental snagging of remote pulls on clothing, food carts, etc. Measures 5 3/16"H x 4 5/16"W x 3"D.

| P/N | DESCRIPTION | EACH |
|-----|---------------------------|------|
| PG3 | Surface-Remote Pull Guard | |

Surface-mount **ROUND REMOTE PULL GUARD** is compatible with **Amerex** or **Ansul**. Manual pull guards reduce false discharges of fire systems from accidental snagging of remote pulls on clothing, food carts, etc. Measures 2 5/8"D x 6" Dia.

| P/N | DESCRIPTION | EACH |
|-----|---------------------------------------|------|
| PG4 | Surface-Mount Round Remote Pull Guard | |

In Use photos may show items not included or available separately. Ansul® is a registered mark of Tyco Fire Products LP.



PG2 w/ ASRP In Use



PG3 w/ B120110 In Use



PG4 w/ A434618 In Use

IDENTIFICATION SIGNS AND INSPECTION AND INSTALLATION FORMS

SPECIAL USE SIGNS. Per NFPA, a placard identifying the use of the extinguisher as a secondary back-up means to the automatic fire suppression system shall be conspicuously placed near each portable fire extinguisher in the cooking area.

| P/N | DESCRIPTION |
|-------|--|
| BL189 | K-Class "Fire Extinguisher" Arrow, 8" x 12" |
| A273 | "Fire System to be Activated..." Sign, 5" x 3" |



BL189

Adhesive-backed aluminum **HOOD IDENTIFICATION SIGNS** for suppression systems, come with red lettering and borders for added visibility.

| P/N | DESCRIPTION |
|------|--|
| A272 | "Remote Pull Station..." Sign, 5" x 3" |
| A276 | "Fryer" Sign, 4" x 2" |
| A277 | "Griddle" Sign, 4" x 2" |
| A278 | "Broiler" Sign, 4" x 2" |
| A281 | "Hood #1" Sign, 4" x 2" |
| A282 | "Hood #2" Sign, 4" x 2" |
| A283 | "Hood #3" Sign, 4" x 2" |
| A284 | "Hood #4" Sign, 4" x 2" |



A273

A272



A276

A277



A278

A283

Custom Signs also Available, See Page 171

Red, self-adhesive aluminum **"CAUTION" SIGN** for suppression system hoods.

| P/N | DESCRIPTION |
|-------|------------------------------------|
| A106 | "Caution..." Sign, 5" x 2" |
| A106S | Spanish "Caution..." Sign, 5" x 2" |



A106

Three-part carbonless **PRE-ENGINEERED SYSTEMS INSPECTION FORMS** transfers writing to parts two and three when writing on part one. Protects your company by providing a record of service performed. **FLA100** is approved and required by the State of Florida.

| P/N | DESCRIPTION | EACH |
|--------|---|------|
| IF100 | Pre-Engineered Systems Inspection Form, Pkg/100 | |
| FLA100 | Florida Pre-Engineered Systems Inspection Form, Pkg/100 | |



IF100

Keep inspection forms clean and in pristine condition for the AHJ with Brooks' **ZIP-LOCK REPORT HOLDER**. Attach holder directly to equipment for easy access. Holds 8½" x 11" forms.

| P/N | DESCRIPTION |
|------|------------------------|
| ZLRH | Zip-Lock Report Holder |



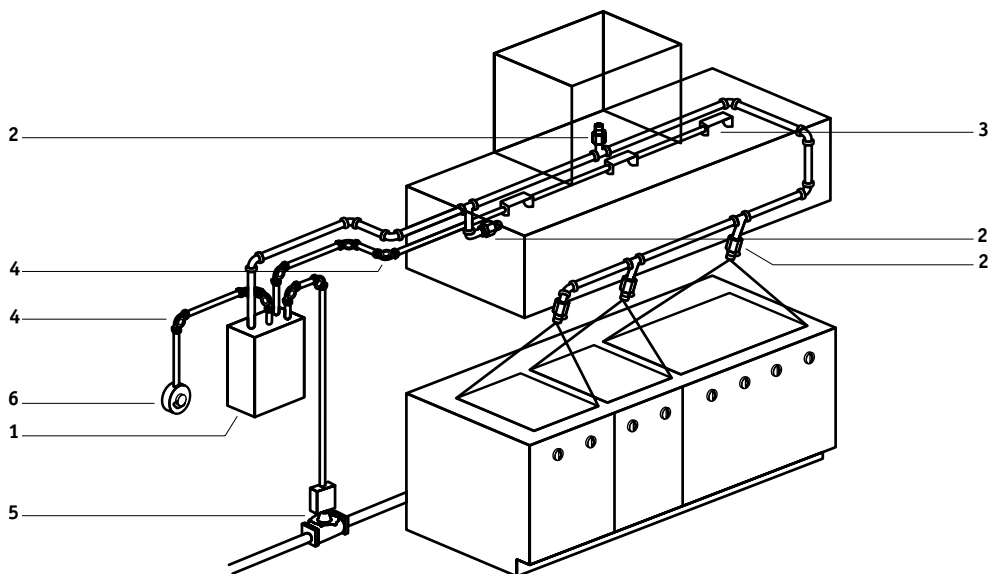
ZLRH In Use

CI100

Present your customer with a **CERTIFICATE OF INSPECTION**. Measures 8½" x 11".

| P/N | DESCRIPTION | EACH |
|-------|---|------|
| CI100 | Certificate of Inspection Form, Pkg/100 | |

In Use photos may show items not included or available separately.



AMEREX® KITCHEN SYSTEM PARTS

ENCLOSURES, TANKS, and BRACKETS. (FIG 1)

| P/N | DESCRIPTION |
|-----------|--|
| AX16921 | Model 2.75 Agent Cylinder, Filled & Charged |
| AX13334 | Model 3.75 Agent Cylinder, Filled & Charged |
| AX17379 | Model 4.75 Agent Cylinder, Filled & Charged |
| AX15196 | Model 6.14 Agent Cylinder, Filled & Charged |
| AX16920 | Bracket w/ Swivel Adapter For 2.75, 3.75, & 4.75 gal Cylinder |
| AX21583 | Bracket w/ Swivel Adapter For 6.14 gal Cylinder |
| ✓ AX18001 | MRM II w/ SS Enclosure |
| ✓ AX10147 | Pneumatic Actuator |
| AX10199 | Discharge Adapter Kit, 6.14 gal Cylinder |
| AX10173 | Vent Check |
| AX17484 | Low Pressure Module |
| AX12854 | Actuation Hose N2 16" |
| AX16448 | Actuation Hose N2 24" |

✓ **Authorized Distributors Only**



AX13334

CARTRIDGE (FIG 1)

| P/N | DESCRIPTION |
|---------|------------------------------|
| AX12856 | Nitrogen Actuation Cartridge |



AX10147



AX10173

CHEMICAL (FIG 1)

| P/N | DESCRIPTION |
|---------|-------------------------------|
| AX16924 | Amerex Wet Chemical, 2.75 gal |
| AX12866 | Amerex Wet Chemical, 3.75 gal |
| AX17450 | Amerex Wet Chemical, 4.80 gal |
| AX15416 | Amerex Wet Chemical, 6.14 gal |



AX12856



AX12866

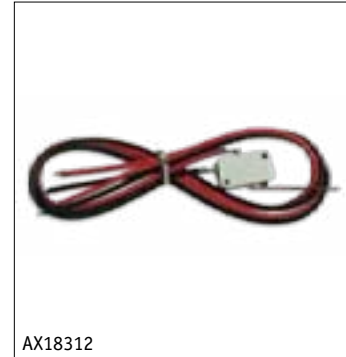
© BROOKS EQUIPMENT COMPANY, LLC 2016. ALL RIGHTS RESERVED. BROOKS EQUIPMENT® IS A REGISTERED TRADEMARK OF BROOKS EQUIPMENT, LLC.

MICROSWITCHES (FIG 1)

| P/N | DESCRIPTION |
|---------|---|
| AX12524 | SPDT Snap Action Microswitch w/ 18" Leads |
| AX18312 | Alarm Microswitch |



AX12524



AX18312

NOZZLES (FIG 2)

| P/N | DESCRIPTION |
|---------|----------------------------|
| AX16440 | Nozzle Swivel Adapter |
| AX13729 | Fryer, Griddle |
| AX11982 | Appliance, Plenum |
| AX11983 | Solid Fuel, Charbroiler |
| AX11984 | Upright, Charbroiler |
| AX16416 | Duct |
| AX14178 | Zd, 4 Burner Range/Griddle |
| AX17461 | Backshelf Manifold |



AX16440



AX11982



AX16416

NOZZLE CAPS (FIG 2)

| P/N | DESCRIPTION |
|---------|--------------------------------|
| AX12334 | Blow Off Cap, Standard |
| AX12504 | Blow Off Cap, High Temperature |



AX12334



AX12504

DETECTORS (FIG 3)

| P/N | DESCRIPTION |
|---------|--|
| AX12508 | Detector Assembly (Bracket, Linkage, & Conduit Fittings) |



AX12508

CORNER PULLEYS (FIG 4)

| P/N | DESCRIPTION |
|---------|----------------------|
| AX12309 | Amerex Corner Pulley |
| AX12506 | Tee Pulley |
| AX16444 | Corner Pulley (CP5) |

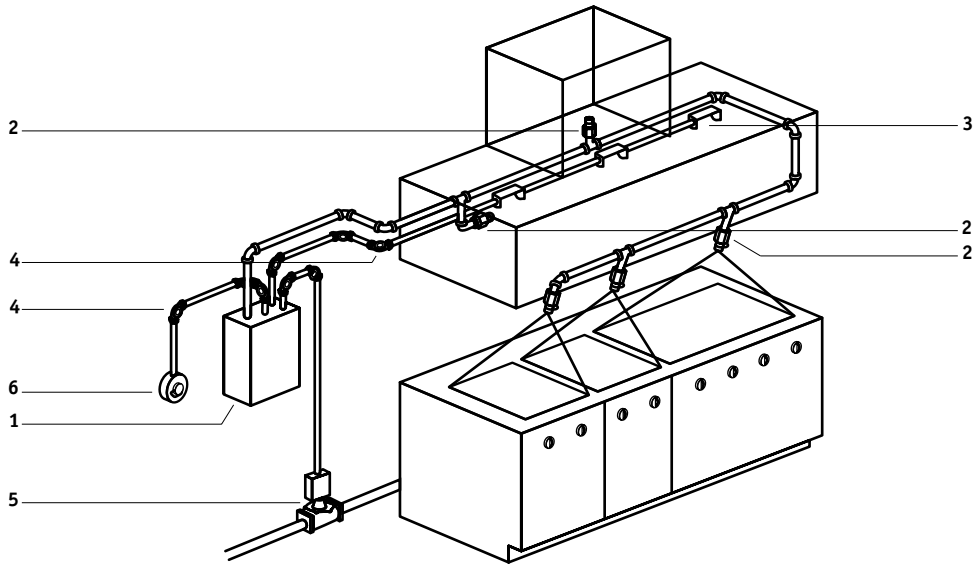
EACH



AX12309



AX12506



AMEREX® KITCHEN SYSTEM PARTS (CONTINUED)

GAS VALVES and ACCESSORIES. (FIG 5)

| P/N | DESCRIPTION |
|---------|-----------------------------|
| AX12790 | 3/4" Mechanical Gas Valve |
| AX12791 | 1" Mechanical Gas Valve |
| AX12792 | 1 1/4" Mechanical Gas Valve |
| AX12793 | 1 1/2" Mechanical Gas Valve |
| AX12794 | 2" Mechanical Gas Valve |
| GVA250 | 2 1/2" Mechanical Gas Valve |
| GVA300 | 3" Mechanical Gas Valve |
| AX13622 | Gas Valve Actuator Kit |
| AX12740 | Gas Valve Trip Assembly |



AX12791



AX12740

MANUAL PULL STATIONS (FIG 6)

| P/N | DESCRIPTION |
|---------|---|
| AX21481 | Manual Pull Station (Recess or Surface Mount) |



AX21481



AX14899

SERVICE TOOLS

| P/N | DESCRIPTION |
|---------|--|
| AX14899 | Misc. Parts Kit |
| AX20659 | Tank Valve Rebuild Kit |
| AX12738 | Set-Up/Lock-Out Tool |
| AX13341 | Cocking Tool |
| AD36 | Recharge Adapter |
| AX13430 | Nitrogen Cylinder Recharge Adapter/Bracket Kit |
| AX12855 | "T" Handle Adapter |
| EZFILL | Liquid EZ-Fill Siphon Hose |



AX13341



AX13430



AX12855

SERVICE MANUAL

| P/N | DESCRIPTION |
|---------|----------------|
| AX20150 | Service Manual |

EACH

BRASS FLARE FITTINGS for system installations. These meet SAE J513, as specified in the manufacturer's manual. Tees and connectors do not include flare nuts.

| P/N | DESCRIPTION |
|------|---|
| FC25 | 1/4", 45° Flare x 1/4" NPT Male Connector |
| FN25 | 1/4", 45° Flare Nut |
| FT25 | 1/4", 45° Flare Tee |
| FC13 | 1/4", 45° Flare x 1/8" NPT Male Connector |



FC25



FN25



FT25

COPPER TUBING for Amerex® system installations.

| P/N | DESCRIPTION |
|--------|--|
| ACT049 | 1/4" x 50' Copper Tubing (0.049" Wall) |

Make changing links fast and easy with our exclusive **LINKAGE PLIERS**. No more scrunching fingers and busting knuckles trying to release cable pressure on those difficult scissor brackets. Simply place the specially curved jaws in the bracket holes and squeeze for fast, effortless link replacement. Steel construction. A must for **Ansul®** and **Amerex®** system maintenance personnel.



ACT049



TL915 In Use

| P/N | DESCRIPTION | EACH |
|-------|-------------------------------------|------|
| TL915 | System Linkage Pliers (Locking) | |
| TL910 | System Linkage Pliers (Non-Locking) | |

Easy-to-use **FLARING TOOL** efficiently flares the tubing ends of seven common sizes (3/16"–5/8").

| P/N | DESCRIPTION | EACH |
|--------|------------------|------|
| TL2880 | Flaring Tool Set | |



TL2880 In Use

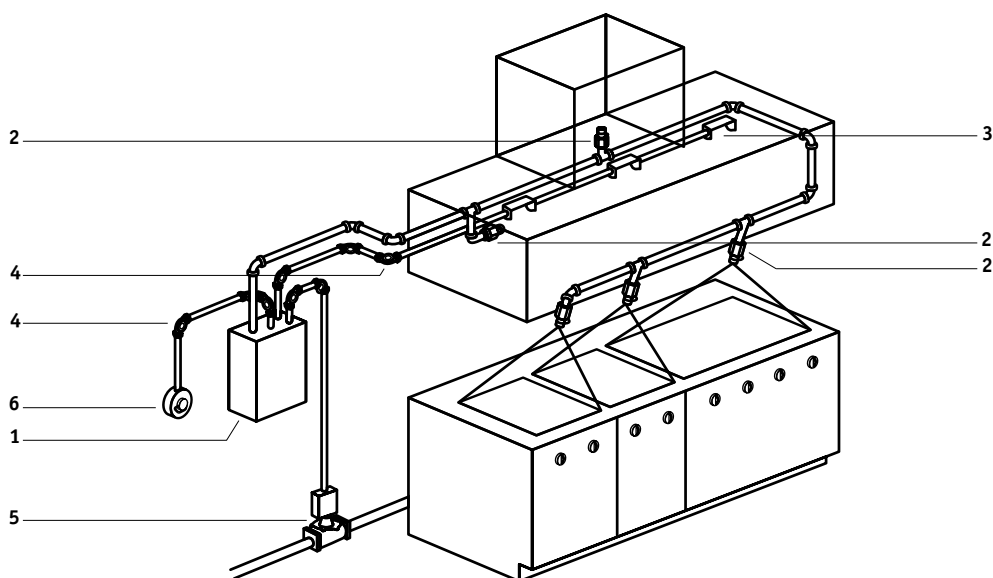
Heavy-duty **TUBING CUTTER** comes with a hardened steel reamer and spare cutting wheel.

| P/N | DESCRIPTION | EACH |
|---------|-----------------------------|------|
| ITC1000 | Tubing Cutter | |
| 1000TC | Tubing Cutter, Domestic | |
| TCB | Extra Cutting Blades, Pkg/2 | |



ITC1000

In Use photos may show items not included or available separately. Ansul® is a registered mark of Tyco Fire Products LP.



ANSUL® KITCHEN SYSTEM PARTS

AUTOMANS and TANKS. (FIG 1)

| P/N | DESCRIPTION |
|-----------|---|
| ✓ A429853 | Mechanical Automan* |
| ✓ A429856 | Ansul® Electrical Automan* |
| ✓ A429859 | Ansul 24 VDC Automan* |
| ✓ A429850 | Regulated Actuator & Enclosure* |
| ✓ A79493 | OEM Mechanical Regulated Release |
| ✓ A418054 | OEM Electric Regulated Release |
| ✓ A418691 | OEM Regulated Actuator w/ Bracket |
| ✓ A418522 | OEM Regulated Actuator w/o Bracket |
| A429870 | Stainless Steel Enclosure (Only) |
| A429872 | Two Tank Stainless Steel Enclosure (Only) |
| A429864 | 1.5 gal Stainless Steel Tank |
| A429862 | 3 gal Stainless Steel Tank |
| A429878 | 3 gal Stainless Steel Tank Bracket |
| A417582 | 8" Actuation Hose, Stainless Steel |
| A31809 | 16" Actuation Hose, Stainless Steel |
| A32336 | 24" Actuation Hose, Stainless Steel |
| A430815 | 42" Actuation Hose, Stainless Steel |

*ORDER TANKS AND CARTRIDGES SEPARATELY.

✓ **Authorized Distributors Only**

CARTRIDGES and CAP. (FIG 1)

| P/N | DESCRIPTION |
|--------|------------------------------------|
| A7032 | LT-20-R Nitrogen Cartridge |
| A5373 | LT-30-R Nitrogen Cartridge |
| A73022 | R-102 Double Cartridge |
| A17492 | 101-20 Cartridge |
| A15851 | 101-30 Cartridge |
| A29187 | LT-A-101-30 Multiple Cartridge |
| A77251 | RH Threaded Cartridge Shipping Cap |

CHEMICAL (FIG 1)

| P/N | DESCRIPTION | EACH |
|---------|---|------|
| A79372 | Ansulex, 3 gal | |
| A79694 | Ansulex, 1.5 gal | |
| A426199 | Ansulex, 55 gal Drum | |
| A423320 | PRX™ Liquid, 5 gal Compatible w/ K-Guard & Piranha | |
| A430182 | PRX Liquid, 6 L Compatible w/ K-Guard & Piranha | |
| A79656 | Flushing Concentrate, 32 oz | |



MICROSWITCHES (FIG 1)

| P/N | DESCRIPTION |
|---------|---------------------------|
| A423878 | SPDT Microswitch |
| A423879 | DPDT Microswitch |
| A423880 | 3PDT Microswitch |
| A423881 | 4PDT Microswitch |
| A428311 | Alarm Release Microswitch |
| AES | Extension Stud, Pkg/6 |



NOZZLES (FIG 2)

NOTE: For older and current Ansul® R-102 and Piranha® systems. When no longer available, you must use the more streamlined body nozzles below.

| P/N | DESCRIPTION |
|----------|-----------------------|
| A418569 | Nozzle Swivel Adapter |
| A419337* | 2W Nozzle (419348) |
| A419340* | 245 Nozzle (419351) |
| A419343* | 2120 Nozzle (419354) |
| A426092* | DL Nozzle (Piranha) |

*WHILE QUANTITIES LAST!

New streamlined **NOZZLES** with metal blow-off caps. Replaces the older rubber blow-off cap nozzles above.

| P/N | DESCRIPTION |
|---------|-----------------------------|
| A418569 | Nozzle Swivel Adapter |
| A439825 | 1F Nozzle (439836) |
| A439826 | 1/2N Nozzle (439837) |
| A439827 | 1N Nozzle (439838) |
| A439828 | 1W Nozzle (439839) |
| A439829 | 2W Nozzle (439840) |
| A439830 | 3N Nozzle (439841) |
| A439831 | 230 Nozzle (439842) |
| A439832 | 245 Nozzle (439843) |
| A439833 | 260 Nozzle (439844) |
| A439834 | 290 Nozzle (439845) |
| A439835 | 2120 Nozzle (439846) |
| A440005 | Piranha® AP Nozzle (440006) |
| A440008 | Piranha DL Nozzle (440009) |
| A434455 | Henny Penny Nozzle Kit |



NOZZLE CAPS (FIG 2)

NOTE: Rubber blow-off caps are to be replaced annually. Do not use these on the new streamlined nozzles.

| P/N | DESCRIPTION |
|---------|--|
| A77695 | Rubber Blow-Off Caps, Pkg/50 For Older Nozzles (Replace Annually) |
| A439848 | R-102 Nozzle O-Ring, Pkg/25 |
| A439861 | Streamlined Metal Blow-Off Caps, Pkg/10 |
| A433208 | CB Metal Blow-Off Cap, Pkg/10 |



DETECTORS and PARTS. (FIG 3)

| P/N | DESCRIPTION |
|---------|---|
| A435546 | Terminal "Scissor"-Style Detector Kit |
| A435547 | Series "Scissor"-Style Detector Kit |
| A435545 | Replacement Linkage Scissors, Stainless Steel |



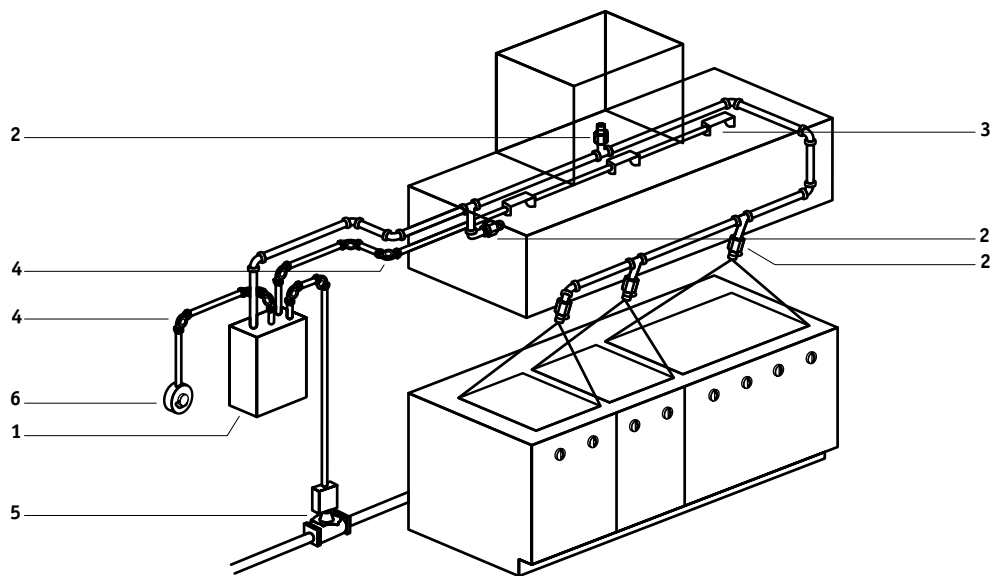
CORNER PULLEYS (FIG 4)

| P/N | DESCRIPTION |
|----------|-------------------------------|
| A423250 | Ansul® Corner Pulley |
| A415670 | Ansul Set Screw Corner Pulley |
| PC427929 | Ansul/Pyro-Chem Tee Pulley |

EACH



©BROOKS EQUIPMENT COMPANY, LLC 2016. ALL RIGHTS RESERVED. BROOKS EQUIPMENT® IS A REGISTERED TRADEMARK OF BROOKS EQUIPMENT, LLC.



ANSUL® KITCHEN SYSTEM PARTS (CONTINUED)

GAS VALVES and ACCESSORIES. (FIG 5)

| P/N | DESCRIPTION |
|---------|--------------------------------------|
| A55598 | 3/4" Mechanical Gas Valve (Ansul) |
| A55601 | 1" Mechanical Gas Valve (Ansul) |
| A55604 | 1 1/4" Mechanical Gas Valve (Ansul) |
| A55607 | 1 1/2" Mechanical Gas Valve (Ansul) |
| A55610 | 2" Mechanical Gas Valve (Ansul) |
| GVB250 | 2 1/2" Mechanical Gas Valve (ASCO)** |
| GVB300 | 3" Mechanical Gas Valve (ASCO)** |
| A15733 | Pneumatic Piston Kit (Ansul) |
| A416018 | Cocking Lever, Mechanical Gas Valve |

**ANSUL® VALVES INCLUDE THE ACTUATOR CYLINDER. ORDER P/N A15733 SEPARATELY FOR THE ASCO VALVES.

REMOTE PULL STATIONS and ACCESSORIES. (FIG 6)

| P/N | DESCRIPTION |
|---------|----------------------------------|
| A434618 | Remote Pull Station w/o Cable |
| A435960 | Remote Pull Station w/ 50' Cable |
| A435725 | Bearing & Bolt, Pkg/10 |
| A435726 | Pull Tabs, Pkg/10 |
| RPBOX | Non-Chrome Remote Pull Box |
| ARBOX | Chrome Remote Pull Box |

FLEXIBLE CONDUIT and ACCESSORIES.

| P/N | DESCRIPTION |
|---------|--|
| A434525 | Flexible Conduit, 500' |
| A435959 | Flexible Conduit w/ Wire Rope, 500' |
| A435979 | Flexible Conduit Strain Relief, Pkg/50 |
| A434347 | Flexible Conduit Inserts, Pkg/50 |
| A436150 | P-Clip, Pkg/50 |
| A436063 | Conduit Offset, Pkg/6 |



A55601



A434618



A435725



A435726



ARBOX



A435979



A434347

© BROOKS EQUIPMENT COMPANY, LLC 2016. ALL RIGHTS RESERVED. BROOKS EQUIPMENT® IS A REGISTERED TRADEMARK OF BROOKS EQUIPMENT, LLC.

ACCESSORIES

| P/N | DESCRIPTION |
|----------|--|
| A79318 | Regulator, R-102 |
| A417911 | R-102 Bursting Discs, Pkg/10 |
| 56909AS | Collar O-Ring, System Tank |
| A68800 | Vent Plug |
| A79007 | R-102 Hose Assembly |
| A418511 | Hose/Grommet Package |
| A417700 | Siphon Tube Assembly |
| A416970 | Bursting Disc Union Assembly |
| N1800 | 1/8" Close Nipple <i>For Actuating Line</i> |
| BP27 | 1/4" x 1/8" Reducing Cplg <i>For Actuating Line</i> |
| 435982AS | Agent Dist. Kit, 5' |

SERVICE TOOLS

| P/N | DESCRIPTION |
|---------|--|
| A441041 | Cocking Lever & Bar |
| A441042 | Short Locking Lever & Bar |
| A14985 | Locking Bar (Only) |
| A416018 | Cocking Lever, Mechanical Gas Valve |
| TL915 | System Linkage Pliers (Locking) |
| TL910 | System Linkage Pliers (Non-Locking) |
| EZFILL | Liquid EZ-Fill Siphon Hose |
| HTA42 | Hydro Adapter, R-102 w/ Internal Threads |
| A438031 | Locking Pin |

SERVICE MANUALS

| P/N | DESCRIPTION |
|----------|-------------------------|
| A2006144 | UL300 Wet System Manual |
| A423385 | Piranha® System Manual |

ANSUL® INDUSTRIAL SYSTEM PARTS

NOZZLES and CAPS.

| P/N | DESCRIPTION |
|----------|---|
| A426690* | Nozzle, TFN 3/4 |
| A417938 | Blow-Off Cap, TFN 1/2 Nozzle, Pkg/10 |
| A417940 | Blow-Off Cap, SCN 1 Nozzle, Pkg/10 |
| A417941 | Blow-Off Cap, OHN 1, TSN 1 Nozzle, Pkg/10 |

*WHILE QUANTITIES LAST!

ACCESSORIES

| P/N | DESCRIPTION |
|---------|--|
| A13193 | LT-10-R Cartridge, 10 lb |
| A15850 | 101-10 Cartridge, 10 lb |
| A415843 | O-Ring <i>For Stem (IND-X)</i> |
| A416698 | Valve Stem & O-Ring Assembly (IND-X) |
| A417809 | Recharge Adapter (IND-X) |
| A416018 | Cocking Lever, Mechanical Gas Valve |
| A26310 | Cocking Lever, Ansul® Automan II-C |
| A9336 | Ansul® Plus-Fifty® C" Dry Chemical, 50 lb Pail |



A79318



A417700



A416970



A416018 In Use



A441041



TL915



TL910



EZFILL In Use



A417938



A417940



A417941



A416698



A9336

In Use photos may show items not included or available separately.

Ansul®, Piranha®, and Plus-Fifty® are registered marks of Tyco Fire Products LP.



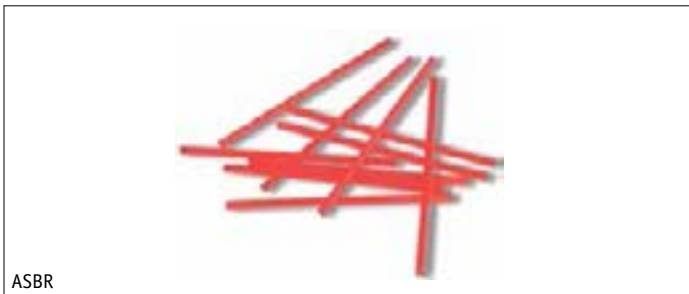
Brooks' high-temperature, ball bearing **CORNER PULLEY** is UL classified for use in **Ansul®** systems, per NFPA 17 and 17A.

| P/N | DESCRIPTION |
|-----|---------------------------|
| CP5 | Compression Corner Pulley |



REMOTE PULL is UL classified for use in **Ansul®** systems, per NFPA 17 and 17A.

| P/N | DESCRIPTION |
|------|--|
| ASRP | Remote Pull Compare to Ansul |
| RPT1 | ASRP Stainless Steel Trim |
| RSS | Set Screw, Pkg/10 For ASRP Break Rod Post |



BREAK RODS compatible with **Ansul®** remote pull and **ASRP**.

| P/N | DESCRIPTION |
|------|---|
| ASBR | Remote Break Rods, Pkg/10 Compare to Ansul |



JUNCTION BOX for mounting remote pulls.

| P/N | DESCRIPTION |
|-------|----------------------------|
| RPBOX | Non-Chrome Remote Pull Box |
| ARBOX | Chrome Remote Pull Box |



UL classified **MICROSWITCHES**, complete with wiring harness and hardware.

| P/N | DESCRIPTION |
|---------|---|
| MIC1 | SPDT Microswitch Compatible w/ Ansul |
| MIC2 | DPDT Microswitch Compatible w/ Ansul |
| A428311 | Ansul® Alarm Microswitch |
| AES | Extension Stud, Pkg/6 To add more Switches |



Precisely provide protection where it is needed with the **NOZZLE AIMING DEVICE**. Just mount it directly onto a nozzle, and the aiming device uses a small laser light to reflect on the surface at which you are aiming. Move the nozzle until it's aimed correctly, then tighten it into place.

NOTE: Adapter for nozzle aiming device sold separately.

| P/N | DESCRIPTION | EACH |
|----------|---|------|
| PC551265 | Nozzle Aiming Device (Only) | |
| PC550926 | Pyro-Chem Adapter, Black For Aiming Device | |
| A439876 | Aiming Device Adapter | |
| EL1CR2* | Replacement Battery, Pkg/2 | |

*UNAVAILABLE IN AK, HI, PR, OR CATALINA



PC551265



A439876



PC551265 w/ PC550926



PC551265 w/ PC550926 In Use

Dow Corning® SILICONE GREASE NO. 111 is recommended by **Ansul** for use with rubber and metal blow-off caps on discharge nozzles. Protects the nozzle orifice and the blow-off caps. Must be reapplied at each semi-annual maintenance examination.

| P/N | DESCRIPTION | EACH |
|-------|------------------|------|
| SL111 | Nozzle Lubricant | |



SL111

BURSTING DISCS are installed to prevent extinguishing agents from entering the pipe during extreme temperature variations. **BDA** is for dry chemical systems only, and are priced and sold by the each. Available in packages of 25.

| P/N | DESCRIPTION | EACH |
|-----|--|------|
| BDA | Aluminum Bursting Disc Compare to Ansul | |



BDA



R102BDA

BURSTING DISCS are installed to prevent extinguishing agents from entering the pipe during extreme temperature variations. **R102BDA** is for R-102 wet chemical systems only, and are priced and sold per 10.

| P/N | DESCRIPTION | EACH |
|---------|---|------|
| R102BDA | R-102 Bursting Disc Compare to Ansul | |

PNEUMATIC PISTON for actuation of a mechanical gas valve. UL classified for use in **Ansul®** systems, per NFPA 17 and 17A.

| P/N | DESCRIPTION | EACH |
|--------|--|------|
| PKA | Pneumatic Piston Kit Compare to Ansul | |
| PKAKIT | Replacement Hardware (Only) | |



PKA

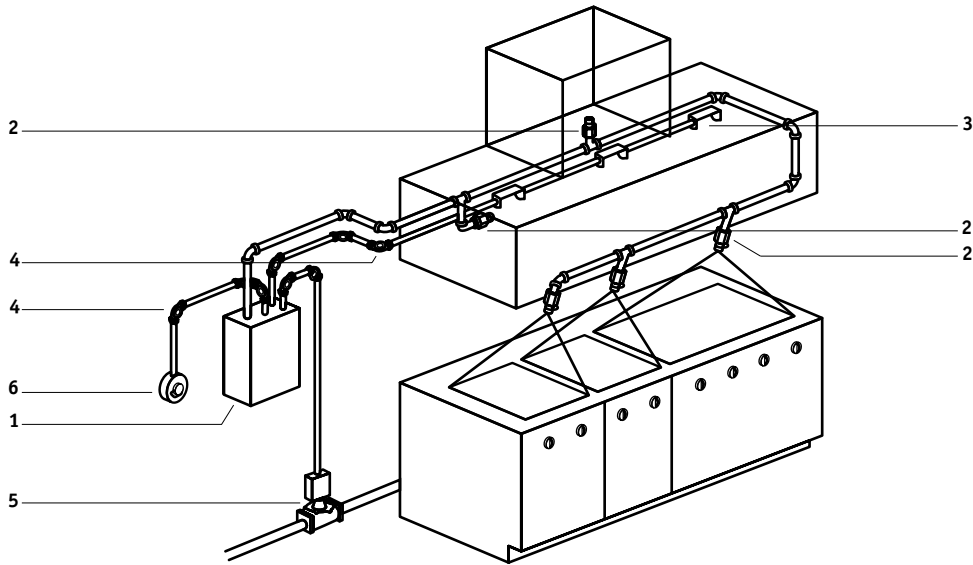
REGULATOR TEST KIT for testing the **Ansul® Automan® Regulator** (as required every 12 years, per the **Ansul** maintenance manual).

| P/N | DESCRIPTION | EACH |
|------|--------------------------|------|
| RTK | R-102 Regulator Test Kit | |
| RTK6 | RTK Gauge, 300 psi | |



RTK

In Use photos may show items not included or available separately. Ansul® and Automan® are registered marks of Tyco Fire Products LP.



K120001



B120002



K1200992



B1200101



KR844908



KR120043



KR235557



KR120044

KIDDE AND BADGER™ RANGE GUARD® KITCHEN SYSTEM PARTS

CYLINDERS, CONTROL HEADS, and BRACKETS. (FIG 1)

| P/N | DESCRIPTION |
|------------|--|
| K120001 | Kidde WHDR-125 Charged Cylinder, 1.25 gal |
| B120001 | Badger RG - 1.25 gal Cylinder/Valve |
| K120002 | Kidde WHDR-260 Charged Cylinder, 2.6 gal |
| B120002 | Badger RG - 2.5 gal Cylinder/Valve |
| K120003 | Kidde WHDR-400S Charged Cylinder, 4 gal |
| B120003 | Badger RG - 4 gal Short Cylinder/Valve |
| K120006 | Kidde WHDR-400M Charged Cylinder, 4 gal |
| B120006 | Badger RG - 4 gal Medium Cylinder/Valve |
| K120005 | Kidde WHDR-600 Charged Cylinder, 6 gal |
| B120005 | Badger RG - 6 gal Cylinder/Valve |
| KR844908 | Discharge Adapter Kit |
| ✓ K1200992 | Kidde New XV Control System |
| ✓ B1200992 | Badger New UCH Control System |
| ✓ K1200101 | Kidde KRS-50 Control Box Assembly |
| ✓ B1200101 | Badger A+ Control Box Assembly |
| KR120042 | System Valve Actuator |
| B9189412 | Badger Pneumatic Release |
| KR045001 | High-Pressure Hose, 7 1/2" |
| KR045002 | High-Pressure Hose, 24" |
| KR045003 | High-Pressure Hose, 60" |
| KR9197430 | Wall Bracket, 1.25 gal Cylinder |
| KR9197263 | Wall Bracket, 2.6 gal Cylinder |
| KR9197415 | Wall Bracket, 4 gal Short Cylinder |
| KR9197414 | Wall Bracket, 4 gal Medium Cylinder |
| KR100013 | Shelf Bracket, 4 gal Med & 6 gal Cylinders |
| KR100010 | Floor Mtg. Kit, 4 gal Med & 6 gal Cylinders Requires KR100013 Bracket |

✓ **Authorized Distributors Only**

ACTUATOR CARTRIDGES (FIG 1) KR120043 and

KR235557 must be periodically replaced in accordance with the **Kidde/Range Guard®** manual. Refer to manual for replacement intervals and installation instructions. **KR120044** is a test cartridge used during semi-annual and annual service only.

TIP: Make sure to check cartridge weight before installation.

| P/N | DESCRIPTION |
|----------|---|
| KR120043 | Nitrogen Actuator Cartridge XV, UCH Control |
| KR235557 | 12 g CO ₂ Actuator Cartridge KRS-50, A+ |
| KR120044 | Nitrogen Test Cartridge XV, UCH Control |

CHEMICAL (FIG 1)

| P/N | DESCRIPTION |
|----------|----------------------------|
| KR120030 | APC Wet Chemical, 1.25 gal |
| KR120031 | APC Wet Chemical, 2.6 gal |
| KR120032 | APC Wet Chemical, 4 gal |
| KR120033 | APC Wet Chemical, 6 gal |

EACH



KR120031



KR120032

MICROSWITCHES and PRESSURE SWITCH (FIG 1)

| P/N | DESCRIPTION |
|------------|---|
| KR120039 | SPDT Microswitch XV, UCH Control |
| KRST120039 | SPDT Striped Microswitch XV, UCH Control |
| KR120047 | Alarm Release Microswitch XV, UCH Control |
| KR97227 | SPDT Microswitch KRS-50, A+ |
| KR97228 | DPDT Microswitch KRS-50, A+ |
| KR100034 | Electric Actuator Kit, 24 VDC Solenoid XV, UCH Control |
| KR9197023 | SPDT Pressure Switch |



KR120039



KR120047

NOZZLES (FIG 2)

| P/N | DESCRIPTION |
|----------|----------------------|
| KR120021 | Swivel Adapter, 3/8" |
| KR120011 | ADP Nozzle |
| KR120012 | F Nozzle |
| KR120013 | GRW Nozzle |
| KR120014 | R Nozzle |
| KR120015 | DM Nozzle |
| KR120022 | LPF Nozzle |
| KR120024 | LPR Nozzle |



KR120021



KR120011



KR120014

NOZZLE SEALS and CAPS. (FIG 2)

| P/N | DESCRIPTION |
|----------|-------------------------------|
| KR97054 | Foil Nozzle Seal/Disc, Pkg/10 |
| KR97290 | Chrome Nozzle Cap, Pkg/10 |
| KR120026 | Nozzle Cap (LPR Nozzle Only) |



KR97054



KR97290



KR120026

DETECTORS (FIG 3)

| P/N | DESCRIPTION |
|----------|--|
| KR804548 | Link Detector Kit XV, UCH Control |
| KR120064 | Universal Link Detector Kit |



K844648



B844648

CORNER PULLEYS (FIG 4)

| P/N | DESCRIPTION |
|----------|--------------------------------|
| K844648 | Kidde Corner Pulley |
| B844648 | Badger Corner Pulley |
| KR843792 | Kidde/Badger Double Tee Pulley |

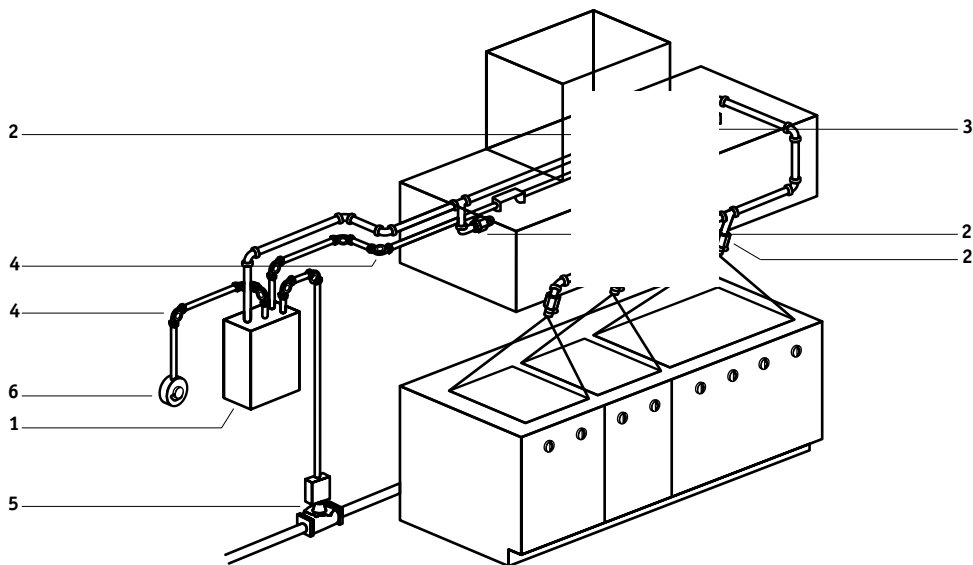
EACH

GAS VALVES (FIG 5)

| P/N | DESCRIPTION |
|----------|-----------------------------|
| KR120071 | 3/4" Mechanical Gas Valve |
| KR120072 | 1" Mechanical Gas Valve |
| KR120073 | 1 1/4" Mechanical Gas Valve |
| KR120074 | 1 1/2" Mechanical Gas Valve |
| KR120075 | 2" Mechanical Gas Valve |
| KR120076 | 2 1/2" Mechanical Gas Valve |
| KR120077 | 3" Mechanical Gas Valve |



KR120071



KIDDE AND BADGER™ RANGE GUARD® KITCHEN SYSTEM PARTS (CONTINUED)

REMOTE PULL STATIONS (FIG 6)

| P/N | DESCRIPTION |
|---------|------------------------------|
| K120110 | Kidde Remote Manual Release |
| B120110 | Badger Remote Manual Release |

ACCESSORIES

| P/N | DESCRIPTION |
|------------|--|
| KR120067 | Valve Assembly Rebuild Kit |
| KR120046 | Rebuild Kit, XV, UCH Control System Valve |
| KR131024 | Gauge Shield |
| KR87120072 | UCH Valve Body Update Kit |
| KR237167 | Piercing Pin, Yellow, Pkg/10 |
| KR197215 | Piercing Pin, (KRS-50), Pkg/10 |
| KR490004 | Valve Stem Snap Ring, Pkg/10 |
| OR43 | O-Ring, Valve Neck (64350327) |
| OR4 | O-Ring, Valve Stem |
| KR1419239* | O-Ring, Puncture Stem |
| KR236204 | Flat Gasket, XV, UCH Control |
| KR97220 | Cable Tensioning Block, A+ |
| KR257754 | Fusible Plug, 212°F |
| KR96984 | Vent Plug |
| GPC175 | Wet Chemical Gauge, 175 psi |
| GPC225 | Wet Chemical Gauge, 225 psi |
| B120009 | Valve Assembly |
| → KR117989 | Replacement Straps For Cylinder Mounting Brackets |

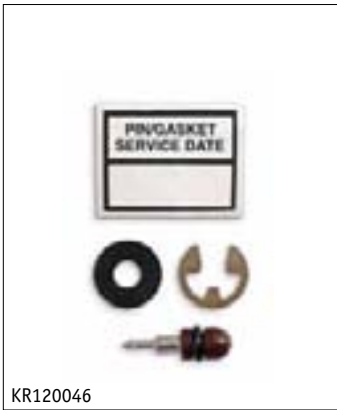
*WHILE QUANTITIES LAST!

SERVICE TOOLS

| P/N | DESCRIPTION |
|-----------|----------------------------|
| KR844908 | Discharge Adapter Kit |
| KR253538 | Crimp Tool |
| KR255096 | Valve Top Protection Plate |
| KR255681 | Anti-Recoil Plate |
| HTA24 | Hydrotest Adapter |
| KR279262 | Recharge Adapter |
| KR9197108 | Keeper Pin |

MANUALS

| P/N | DESCRIPTION |
|---------|-------------------------|
| RG27100 | Wet System Manual |
| K122000 | Kidde Wet System Manual |



OLDER RANGE GUARD PARTS

UL classified **Range Guard**®-style **MICROSWITCHES** for older control heads, complete with wiring harness and hardware.

| P/N | DESCRIPTION |
|------|---|
| MIC4 | Range Guard-Style SPDT Microswitch |
| MIC5 | Range Guard-Style DPDT Microswitch |
| MIC6 | Range Guard & Kidde-Style SPDT "A+", KRS-50, Series Microswitch |
| MIC7 | Range Guard & Kidde-Style DPDT "A+", KRS-50, Series Microswitch |



MIC4



MIC5

MISCELLANEOUS PARTS

| P/N | DESCRIPTION |
|----------|---|
| RG118031 | System Gauge, 175 psi |
| RGVS* | Valve Stem For Old RG Cylinder |
| RG97009 | Cocking Tool For Mechanical Control Head |
| OR45* | O-Ring, Ring Nut (00061) For Old RG Cylinder |

*WHILE QUANTITIES LAST!



MIC6



MIC7

Brooks' high-temperature ball bearing **CORNER PULLEY** is UL classified for use in **Kidde**, and **Range Guard**® systems, per NFPA 17 and 17A.

| P/N | DESCRIPTION |
|-----|---------------------------|
| CP5 | Compression Corner Pulley |



RG97009



CP5

CO₂ ACTUATOR CARTRIDGE UL Classified for **Kidde** and **Range Guard**®. Actuator cartridges and o-rings must be periodically replaced in accordance with the **Kidde** or **Range Guard** manual. Refer to manual for replacement intervals and installation instructions.

TIP: Make sure to weigh cartridge before installation.

| P/N | DESCRIPTION |
|-----|--|
| KRC | 12 g CO ₂ Actuator Cartridge, Pkg/3 |



KRC

BRASS FLARE FITTINGS for system installations. These meet SAE J513, as specified in the manufacturer's manual. Tees and connectors do not include flare nuts.

| P/N | DESCRIPTION |
|------|---|
| FC25 | 1/4", 45° Flare x 1/4" NPT Male Connector |
| FN25 | 1/4", 45° Flare Nut |
| FT25 | 1/4", 45° Flare Tee |
| FC13 | 1/4", 45° Flare x 1/8" NPT Male Connector |



FC25



FN25



FT25

COPPER TUBING for system installations.

| P/N | DESCRIPTION |
|------|---------------------------------------|
| CT50 | 1/4" x 50' Copper Tubing (1/32" Wall) |



CT50

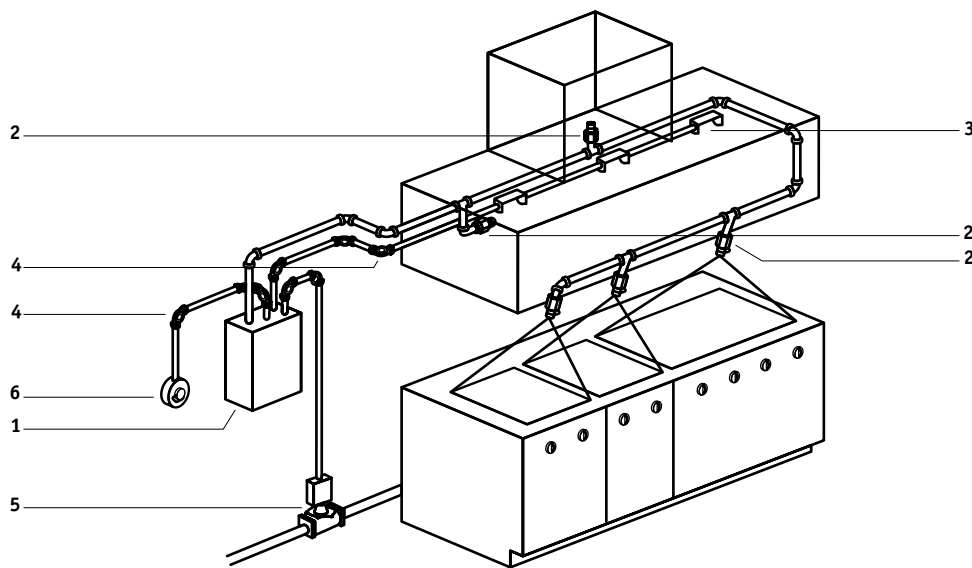


KC02

KIDDE CO₂ SYSTEM ADAPTER

| P/N | DESCRIPTION |
|------|--------------------------------|
| KC02 | CO ₂ System Adapter |

EACH



PYRO-CHEM® KITCHEN SYSTEM PARTS

CYLINDERS, ENCLOSURES, and BRACKETS. (FIG 1)

| P/N | DESCRIPTION |
|------------|---|
| PC553163 | PCL 160 Charged Cylinder, 1.6 gal |
| PC551194 | PCL 300 Charged Cylinder, 3 gal |
| PC551193 | PCL 460 Charged Cylinder, 4.6 gal |
| PC551196 | PCL 600 Charged Cylinder, 6 gal |
| PC550053 | MB-1 Cylinder Bracket For PLC 600 |
| PC550054 | MB-15 Cylinder Bracket For PLC 160, PCL 300, and PCL 460 |
| → PC550103 | PAC-10 Cylinder Bracket |
| PC550966 | EN-S Enclosure For Secondary Cylinders |
| ✓ PC551204 | NMCH-DPT Control Head w/ Switch |
| PC550853 | MB-P2 Control Head Mounting Bracket |
| PC550104 | PAC-10 Pneumatic Actuating Cylinder |
| PC550093 | PAC-100 Pneumatic Actuating Cylinder |
| PC417582 | 8" Actuation Hose, Stainless Steel |
| PC31809 | 16" Actuation Hose, Stainless Steel |
| PC32336 | 24" Actuation Hose, Stainless Steel |
| PC430815 | 42" Actuation Hose, Stainless Steel |

✓ **Authorized Distributors Only**

ACTUATOR CARTRIDGES (FIG 1) and o-rings must be periodically replaced in accordance with the **Pyro-Chem®** manual. Refer to manual for replacement intervals and installation instructions.

TIP: Make sure to check cartridge weight before installation.

| P/N | DESCRIPTION |
|----------|---|
| PC551059 | 16 g CO ₂ Actuator Cartridge (Sold Individually) |
| PC55531 | O-Ring, Actuator Cartridge |

CHEMICAL (FIG 1)

| P/N | DESCRIPTION |
|----------|--------------------------------|
| PC553176 | RL-160, 1.6 gal Recharge Agent |
| PC551188 | RL-300, 3.0 gal Recharge Agent |
| PC79656 | Flushing Concentrate, 32 oz |



PC551194



PC550853



PC550104



PC551059



PC79656



PC551188

MICROSWITCHES (FIG 1)

| P/N | DESCRIPTION |
|----------|-----------------------------|
| PC550227 | SPDT Microswitch, Old Style |
| PC550237 | DPDT Microswitch, Old Style |
| PC551154 | SPDT Microswitch |
| PC551155 | DPDT Microswitch |
| PC551156 | 3PDT Microswitch |
| PC551157 | 4PDT Microswitch |
| PC550077 | Alarm Microswitch |
| PC552173 | Microswitch Extension Kit |



NOZZLES (FIG 2)

| P/N | DESCRIPTION |
|----------|----------------|
| PC418569 | Swivel Adapter |
| PC551026 | 1L Nozzle |
| PC551027 | 2L Nozzle |
| PC551028 | 2H Nozzle |
| PC551029 | 1H Nozzle |
| PC551038 | 2D Nozzle |



Replacement **NOZZLE CAPS. (FIG 2)**

NOTE: Pyro-Chem requires that the rubber caps (PC550016) be replaced annually.

| P/N | DESCRIPTION |
|----------|--------------------------------|
| PC623 | NL Series Nozzle Cap |
| PC550016 | Rubber Nozzle Cap, Pkg/12 |
| PC551530 | Nozzle O-Ring, (PC625), Pkg/10 |



DETECTORS and PARTS. (FIG 3)

| P/N | DESCRIPTION |
|----------|-----------------------------|
| PC550131 | FLK-1 Link Bracket Kit, 10" |
| PC550132 | FLK-1A Link Bracket Kit, 8" |
| PCFLH | Fusible Link Hanger |

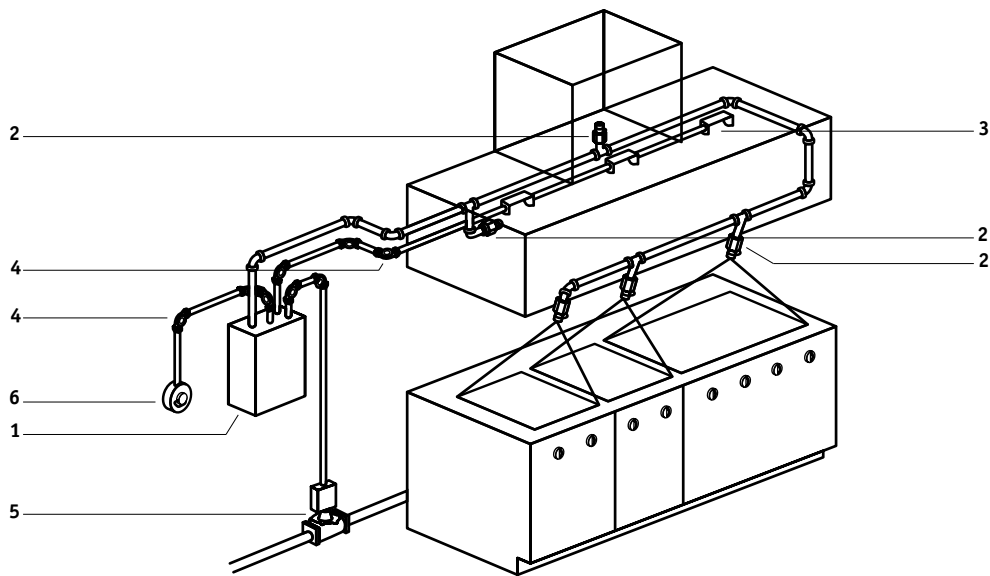


CORNER PULLEYS (FIG 4)

| P/N | DESCRIPTION |
|----------|----------------------------|
| PC423250 | Corner Pulley, Compression |
| PC415670 | Corner Pulley, Set Screw |
| PC427929 | Tee Pulley |

EACH





PYRO-CHEM® KITCHEN SYSTEM PARTS (CONTINUED)

GAS VALVES (FIG 5)

| P/N | DESCRIPTION |
|----------|-----------------------------|
| PC550593 | 3/4" Mechanical Gas Valve |
| PC550594 | 1" Mechanical Gas Valve |
| PC550595 | 1 1/4" Mechanical Gas Valve |
| PC550596 | 1 1/2" Mechanical Gas Valve |
| PC551049 | 2" Mechanical Gas Valve |
| PC550185 | 2 1/2" Mechanical Gas Valve |
| PC550186 | 3" Mechanical Gas Valve |



PC550595

REMOTE PULL STATION (FIG 6)

| P/N | DESCRIPTION |
|----------|---------------------------------------|
| PC551074 | Remote Pull (RPSM) |
| PC551167 | Electrical Remote Pull |
| ASBR | Replacement Remote Break Rods, Pkg/10 |



PC551074



ASBR

FLEXIBLE CONDUIT and ACCESSORIES.

| P/N | DESCRIPTION |
|---------|--|
| A434525 | Flexible Conduit, 500' |
| A435959 | Flexible Conduit w/ Wire Rope, 500' |
| A435979 | Flexible Conduit Strain Relief, Pkg/50 |
| A434347 | Flexible Conduit Inserts, Pkg/50 |
| A436150 | P-Clip, Pkg/50 |
| A436063 | Conduit Offset, Pkg/6 |



A435979



A434347

ACCESSORIES

| P/N | DESCRIPTION |
|----------|---------------------------------|
| PC550698 | Wet Valve Rebuild Kit |
| PC551061 | Regulator Rebuild Kit |
| GPC225 | Wet Chemical Gauge, 225 psi |
| PC550716 | O-Ring, Wet Valve Neck (420716) |



PC550698



PC551061

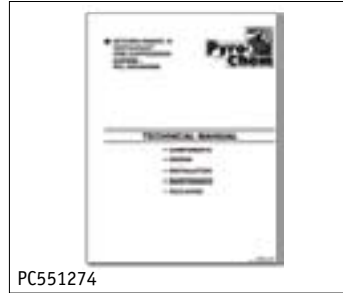
SERVICE TOOLS

| P/N | DESCRIPTION | EACH |
|----------|---|------|
| PC550788 | Wet Valve Tool | |
| PC551240 | Recharge Adapter For Kitchen Knight II | |
| HTA41 | Hydrotest Adapter | |
| EZFILL | Liquid EZ-Fill Siphon Hose | |
| PC550938 | Bleed Down Adapter | |



SERVICE MANUAL

| P/N | DESCRIPTION | EACH |
|----------|---------------------------------|------|
| PC551274 | Kitchen Knight II Manual (2009) | |



Precisely provide protection where it is needed with the **NOZZLE AIMING DEVICE**. Just mount it directly onto a nozzle, and the aiming device uses a small laser light to reflect on the surface at which you are aiming. Move the nozzle until it's aimed correctly, then tighten it into place.

NOTE: Adapter for nozzle aiming device sold separately.

| P/N | DESCRIPTION | EACH |
|----------|---|------|
| PC551265 | Nozzle Aiming Device (Only) | |
| PC550926 | Pyro-Chem Adapter, Black For Aiming Device | |
| A439876 | Aiming Device Adapter | |
| EL1CR2* | Replacement Battery, Pkg/2 | |

*UNAVAILABLE IN AK, HI, PR, OR CATALINA



PYRO-CHEM® INDUSTRIAL DRY SYSTEM PARTS

NOZZLES and CAPS.

| P/N | DESCRIPTION |
|----------|-----------------|
| PC551650 | NV-WA Nozzle |
| PC551651 | NV-UF Nozzle |
| PC551652 | NV-P1 Nozzle |
| PC551653 | NV-DP2 Nozzle |
| PC551098 | N-SCR Nozzle |
| PC551099 | N-OTF Nozzle |
| PC551100 | N-PLU Nozzle |
| PC551101 | N-DCT Nozzle |
| PC551678 | NF-ABC Nozzle |
| PC550646 | N-LA-ABC Nozzle |
| PC550342 | N-LA-BC Nozzle |
| PC550337 | NF-TS Nozzle |
| PC550333 | Nozzle Cap |
| PC550644 | Nozzle Cap |



ACCESSORIES

| P/N | DESCRIPTION | EACH |
|----------|-----------------------------|------|
| PC550037 | Dry Valve Rebuild Kit | |
| PC550877 | VT-2 Dry Valve Tool | |
| PC553565 | Pyro-Chem Industrial Manual | |
| PC550026 | Safety Release Plug | |
| PC550130 | Dry Valve Recharge Adapter | |
| 10064 | 1/2" Hex Wrench | |



In Use photos may show items not included or available separately. Ansul® is a registered marks of Tyco Fire Products LP.



CP5

Brooks' high-temperature ball bearing **CORNER PULLEY** is UL classified for use in **Pyro-Chem**® systems, per NFPA 17 and 17A.

| P/N | DESCRIPTION |
|-----|---------------------------|
| CP5 | Compression Corner Pulley |



LBK1

10" FUSIBLE LINK BRACKET is UL classified for use in **Pyro-Chem**® systems, per NFPA 17 and 17A.

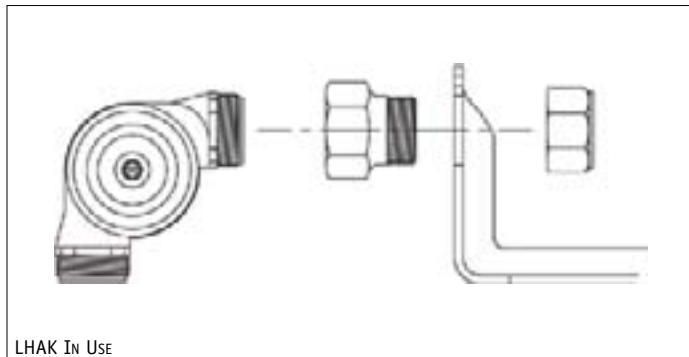
| P/N | DESCRIPTION |
|------|--------------------------|
| LBK1 | 10" Fusible Link Bracket |



LBK3

10" HIGH STAND OFF BRACKET permits better air flow around fusible links and is UL classified for use in **Pyro-Chem**® systems, per NFPA 17 and 17A. Will match up to corner pulley (**CP5**) when coming through top of hood with **GSA12**.

| P/N | DESCRIPTION |
|------|-------------------------------------|
| LBK3 | 10" Stand Off, Fusible Link Bracket |



LHAK In Use

LINK HOUSING ADAPTER KIT allows attachment of the **Pyro-Chem**® large threaded corner pulley to the **LBK3** fusible link bracket. This kit reduces the larger threads of the corner pulley to fit the smaller-diameter link bracket hole. No conduit or conduit fittings are required. Kit includes one reducing adapter and one steel nut.

| P/N | DESCRIPTION |
|------|--------------------------|
| LHAK | Link Housing Adapter Kit |



ASBR

BREAK RODS for remote pulls.

| P/N | DESCRIPTION |
|------|--------------------------------|
| ASBR | Remote Pull Break Rods, Pkg/10 |

In Use photos may show items not included or available separately.

MICROSWITCHES

NOTE: You can stack (2) MIC1's to make a DPDT. For more than two switches, use OEM models.

| P/N | DESCRIPTION |
|------|---|
| MIC1 | Pyro-Chem-Style SPDT Microswitch For MCH3 Head |



MIC1

CO₂ ACTUATOR CARTRIDGES are UL classified for **Pyro-Chem**. Actuator cartridges and o-rings must be periodically replaced in accordance with the **Pyro-Chem**® manual. Refer to manual for replacement intervals and installation instructions.

TIP: Make sure to check cartridge weight before installation

| P/N | DESCRIPTION |
|---------|--|
| PCC | 16 g CO ₂ Actuator Cartridge, Pkg/3 |
| PC55531 | O-Ring, Actuator Cartridge |



PCC

BRASS FLARE FITTINGS for system installations. These meet SAE J513, as specified in the manufacturer's manual. Tees and connectors do not include flare nuts.

| P/N | DESCRIPTION |
|------|---|
| FC25 | 1/4", 45° Flare x 1/4" NPT Male Connector |
| FN25 | 1/4", 45° Flare Nut |
| FT25 | 1/4", 45° Flare Tee |
| FC13 | 1/4", 45° Flare x 1/8" NPT Male Connector |



FC25

FN25

FT25

COPPER TUBING for **Pyro-Chem**® system installations.

| P/N | DESCRIPTION |
|------|---------------------------------------|
| CT50 | 1/4" x 50' Copper Tubing (1/32" Wall) |



CT50

Easy-to-use **FLARING TOOL** efficiently flares the tubing ends of seven common sizes (3/16"-5/8").

| P/N | DESCRIPTION | EACH |
|--------|------------------|------|
| TL2880 | Flaring Tool Set | |



TL2880 In Use

Heavy-duty **TUBING CUTTER** comes with a hardened steel reamer and spare cutting wheel.

| P/N | DESCRIPTION | EACH |
|---------|-----------------------------|------|
| ITC1000 | Tubing Cutter | |
| 1000TC | Tubing Cutter, Domestic | |
| TCB | Extra Cutting Blades, Pkg/2 | |



ITC1000

1000TC

In Use photos may show items not included or available separately.