



*Quality: It's all we offer.*



G100 (FRONT)



G100 (SIDE VIEW)

## GAUGES

### DRY CHEMICAL GAUGES. UL listed.

P/N	DESCRIPTION
G100	100 lb Dry Chemical Gauge
G125	125 lb Dry Chemical Gauge
G150	150 lb Dry Chemical Gauge
G175	175 lb Dry Chemical Gauge
G195	195 lb Dry Chemical Gauge
G235	235 lb Dry Chemical Gauge
G240	240 lb Dry Chemical Gauge
G350	350 lb Dry Chemical Gauge
G360	360 lb Dry Chemical Gauge



293266K (FRONT)



293266K (SIDE VIEW)

### DRY CHEMICAL GAUGES. Kidde. UL listed.

P/N	DESCRIPTION
293789K	100 lb Kidde Dry Chemical Gauge
293266K	195 lb Kidde Dry Chemical Gauge
259535K	Kidde Gauge O-Ring (Plastic Valve)
259053K	Kidde Gauge Clip

One Required for Each Gauge



PG009RC (FRONT)



PG009RC (SIDE VIEW)

### DRY CHEMICAL GAUGES. RC Ind. UL listed.

P/N	DESCRIPTION
PG009RC	195 lb RC Ind. Dry Chemical Gauge
OR7	O-Ring for RC Ind. Gauge



G100H (FRONT)



G100H (SIDE VIEW)

### CLEAN AGENT GAUGES. UL listed.

P/N	DESCRIPTION
G100H	100 lb Halon 1211 Gauge
G125H	125 lb Halon 1211 Gauge
G150H	150 lb Halon 1211 Gauge
G195H	195 lb Halon 1211 Gauge
G100T	100 lb Halotron I Gauge
G125T	125 lb Halotron I Gauge



G100WS (FRONT)



G100WS (SIDE VIEW)

### WATER-BASED EXTINGUISHER GAUGES. UL listed.

P/N	DESCRIPTION
G100WS	100 lb Water, Foam, & Loaded Stream Gauge
G100K	100 lb Wet Chemical Gauge



GWRENCH

Steel **GAUGE WRENCH** is designed specifically for removing and attaching most gauges. Cold-rolled plated steel,  $\frac{3}{16}$ " thick.

P/N	DESCRIPTION
GWRENCH	Gauge Wrench



## VALVE STEMS

### DRY CHEMICAL VALVE STEMS. Amerex®. Pkg/5

(priced each).

P/N	DESCRIPTION
6092A	Amerex Valve Stem ♦
6093A	Amerex Valve Stem ♦



6092A



6093A

### DRY CHEMICAL VALVE STEMS. Ansul®. Pkg/5

(priced each).

P/N	DESCRIPTION
ASVS4	Ansul Style Sentry Valve Stem ♦
ASVS5	Ansul Style Sentry Valve Stem ♦
429099AS	Ansul Sentry Valve Stem ♦
428431AS	Ansul Sentry Valve Stem



ASVS4



ASVS5



429099AS



428431AS

### DRY CHEMICAL VALVE STEMS. Badger™. Pkg/5

(priced each).

P/N	DESCRIPTION
12426B	Badger Valve Stem ♦
19010B	Badger Valve Stem ♦
23389B	Badger Valve Stem ♦



12426B



19010B



23389B

### DRY CHEMICAL VALVE STEMS. Buckeye. Pkg/5

(priced each).

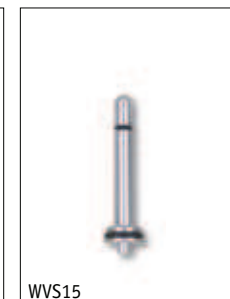
P/N	DESCRIPTION
103215W	Buckeye Valve Stem ♦
WVS13	Buckeye Valve Stem (100214)
WVS15	Buckeye Valve Stem (106215)



103215W



WVS13



WVS15

### DRY CHEMICAL VALVE STEMS. Flag. Pkg/5

(priced each).

P/N	DESCRIPTION
552144FG	Flag Valve Stem (old 429538AS) ♦
552143FG	Flag Valve Stem (old 552013FG) ♦



552144FG



552143FG

### DRY CHEMICAL VALVE STEMS. Fyr-Fyter. Pkg/5

(priced each).

P/N	DESCRIPTION
FVS19*	Fyr-Fyter Valve Stem (125558)
FVS21	Fyr-Fyter Valve Stem (109438)

\*WHILE QUANTITIES LAST!



FVS19



FVS21

♦ Item in Valve Stem Kit (VSKIT), see page 207.





## DRY CHEMICAL VALVE STEMS. Kidde. Pkg/5 (priced each).

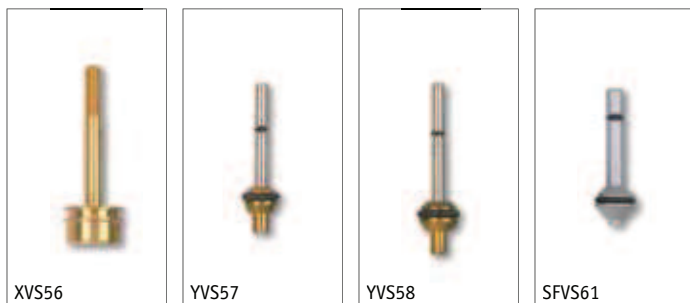
P/N	DESCRIPTION
440020K	Kidde Pro-Line Valve Stem ♦
440068K	Kidde Valve Stem ♦
877546K	Kidde Valve Stem ♦
KVS46	Kidde Valve Stem (843704)
KVS47	Kidde Valve Stem (844210)



## DRY CHEMICAL VALVE STEMS. Pemall, Power-Pak, Pyronauts, and RC Ind. Pkg/5 (priced each).

P/N	DESCRIPTION
L4PA	Pemall Valve Stem
S4PA	Pemall Valve Stem (S4)
PNVS51*	Pyronauts Valve Stem (106)
RCVS54	RC Ind. Valve Stem (LR006)

\*WHILE QUANTITIES LAST!



## DRY CHEMICAL VALVE STEMS. Safety 1st, Stop Fire, and Strike First. Pkg/5 (priced each).

P/N	DESCRIPTION
XVS56*	Safety 1st Valve Stem (200346)
YVS57*	Stop Fire Valve Stem (600037)
YVS58*	Stop Fire Valve Stem (600076)
SFVS61	Strike First Valve Stem (161427)
110427SF	Strike First Valve Stem ♦
161428SF	Strike First Valve Stem ♦

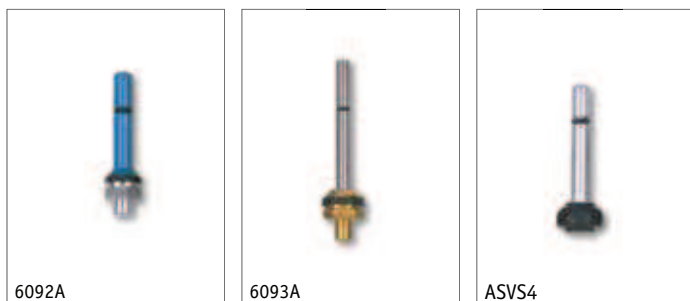
\*WHILE QUANTITIES LAST!



## PRESSURIZED WATER VALVE STEMS. Pkg/5 (priced each).

P/N	DESCRIPTION
6093A	Amerex Valve Stem ♦
12426B	Badger Valve Stem ♦
FVS21	Fyr-Fyter Valve Stem (109438)
7328G*	General Valve Stem

\*WHILE QUANTITIES LAST!



## HALON VALVE STEMS Pkg/5 (priced each).

P/N	DESCRIPTION
6092A	Amerex Valve Stem ♦
6093A	Amerex Valve Stem ♦
ASVS4	Ansul-Style Sentry Valve Stem ♦
ASVS5	Ansul-Style Sentry Valve Stem ♦



## HALON VALVE STEMS. Badger™ and Buckeye. Pkg/5 (priced each).

P/N	DESCRIPTION
18672B	Badger Valve Stem
103214W	Buckeye Valve Stem

♦ Item in Valve Stem Kit (VSKIT), see page 207.



**HALON VALVE STEMS. Kidde, Pemall.** Pkg/5 (priced each).

P/N	DESCRIPTION
440007K	Kidde Valve Stem
L4PA	Pemall Valve Stem
S4PA	Pemall Valve Stem



**HALON VALVE STEMS. RC Ind., Stop Fire, and Strike 1st.** Pkg/5 (priced each).

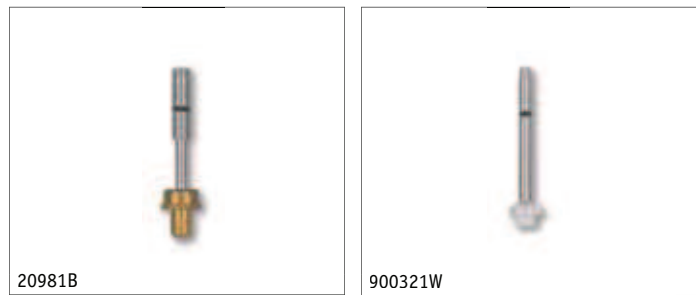
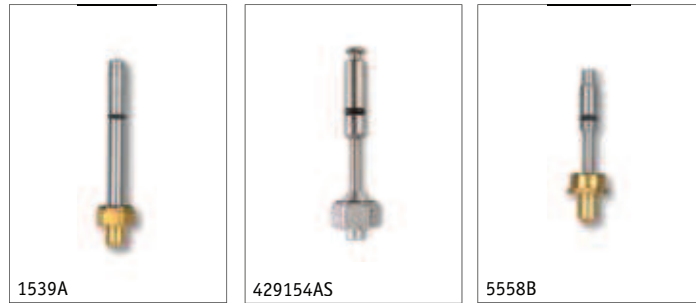
P/N	DESCRIPTION
RCVS54	RC Ind. Valve Stem (LR006)
YVS57*	Stop Fire Valve Stem (600037)
SFVS61	Strike 1st Valve Stem (161427)

\*WHILE QUANTITIES LAST!



**CO<sub>2</sub> VALVE STEMS. Amerex®, Ansul®, Badger™, Buckeye, Fyr-Fyter RS and Superior.** Pkg/5 (priced each).

P/N	DESCRIPTION
1539A	Amerex Valve Stem
418682AS	Ansul Valve Stem
429154AS	Flag Valve Stem Assy
5558B	Badger Valve Stem
20981B	Badger Valve Stem
900321W	Buckeye Valve Stem
418682AS	RS & Superior Valve Stem (P5970-21)



## 16 Best Sellers!

**VALVE STEM KIT** contains five each of our 16 best sellers, for a total of 80 valve stems. Comes in a handy clear storage box with full-scale illustration of each valve stem.

P/N	DESCRIPTION	EACH
VSKIT	Valve Stem Kit	
LPC16	Clear Parts Bin Box	



◆ Item in Valve Stem Kit, (VSKIT), see above.





O-RINGS

## O-RINGS

**UL RECOGNIZED COMPONENT O-RINGS.** Pkg/10  
(priced each).

P/N	DESCRIPTION
OR4	Shaft O-Ring
OR5	Shaft & Gauge O-Ring
OR6	Shaft O-Ring
OR8	Amerex (1532), Badger (14911), ♦ General (5857), Kidde (64350011)
OR10	Amerex (6978), Kidde (643580012) ♦

**UL RECOGNIZED COMPONENT O-RINGS.** Pkg/10  
(priced each).

P/N	DESCRIPTION
OR14	RC Ind. (RR009)
OR15	RC Ind. (RR007)
OR18	Ansul (3469), Badger (701), General (33449, 21574)
OR20	Buckeye (900004), Flag (552007), General (11178) ♦
OR21	General (33178), RC Ind. (RR008), Strike First (161345) ♦
OR22	Badger (14913)
OR24	Fyr-Fyter (106057)

**UL RECOGNIZED COMPONENT O-RINGS.** Pkg/10  
(priced each).

P/N	DESCRIPTION
OR25	Ansul (21861), General (33030)
OR26	Pemall (S3) ♦
OR27	Amerex (5241), Badger (16370, 20745), Buckeye (900010), Flag (10513), Kidde (320680) ♦
OR28	Pemall (L3) ♦ Ansul (428327)
OR29	Amerex (5240), Badger (20746) ♦
OR30	Kidde (64350218)

**UL RECOGNIZED COMPONENT O-RINGS.** Pkg/10  
(priced each).

P/N	DESCRIPTION
OR31	General (32518)
OR32	General (33806)
OR33	Kidde (64350226)
OR34	Fyr-Fyter (85603)
OR35	Kidde (320005)
OR37	Buckeye (900001) ♦
OR39	Amerex (1124), Buckeye (900329) ♦
OR43	Kidde (64350327)

**UL RECOGNIZED COMPONENT O-RINGS.** Pkg/10  
(priced each).

P/N	DESCRIPTION
OR165	Amerex (5689), Badger (21101), Buckeye (900331)
OR195	Ansul (79122) ♦
OR295	Ansul (79805), Badger (16464), Kidde (320130) ♦
OR305	General (35786)
OR315	Kidde (64350222)
OR333	Stop Fire (200078)
OR908	Ansul (6323)
OR910	Ansul (6324)

**GASKETS & QUAD RINGS.** Pkg/10 (priced each).

P/N	DESCRIPTION
G40	Fyr Fyter (107995)
G45	Ansul (181)
G48	Ansul (6190)
QR39	Ansul (6273)
QR40	Ansul (16222) ♦
QR41	Ansul (79122) ♦
QRH43	Ansul (21882)

♦ Item in O-Ring Kit (ORKIT), see page 209.



GASKETS &amp; QUAD RINGS



**O-RING KIT** contains 20 each of our 16 best sellers, for a total of 320 o-rings and quad ring seals. Comes in a handy clear storage box with a full-scale illustration of each one. Kit includes o-rings marked with an (♦) on previous page as well as **259535K** and **340036K**.

P/N	DESCRIPTION	EACH
ORKIT	O-Ring Kit	
LPC16	Clear Parts Bin Box, 16 Compartments	
LPC24	Clear Parts Bin Box, 24 Compartments	

**V-711 SILICONE GREASE** is the choice for halon o-rings.

P/N	DESCRIPTION	EACH
SLUBE	Stiff, Tacky, Dielectric Silicone Grease, 5 oz Tube	

**Parker O-LUBE** is an outstanding general-purpose grease for o-rings and seals. Protects o-rings against abrasion in DC units.

P/N	DESCRIPTION	EACH
OLUBE	O-Ring Lubricant, 4 oz Tube	

## RIVETS

**RIVETS.** Pkg/50 (priced per pack).

P/N	DESCRIPTION	EACH
RV5	Amerex Handle (1564), Buckeye (900052)	
RV7	Amerex Handle (1563)	
RV14	General Lever (13145, 32057)	
RV30	Badger Handle (6561, 16517)	
RV33	Power-Pak Handle/Lever (9992100)	
RV38	Buckeye Handle/Lever (900042)	

**RIVETS.** Pkg/50 (priced per pack).

P/N	DESCRIPTION	EACH
RV44	Ansul Handle (25719)	
RV46	RC Ind. Handle (RV001), General (32075)	
RV47	Ansul Handle (25720)	
RV48	RC Ind. Lever (RV002, RV003), General (32061)	
RV49	General Handle (32058)	
RV53	General Handle/Lever (33699, 33027)	
RV59	Pyronauts Handle (123)	

**RIVETS.** Pkg/50 (priced per pack).

P/N	DESCRIPTION	EACH
RV63	General Handle (34076)	
RV64	General Handle (35774)	
RV67	General Handle (32062)	
RV71	General Handle (34991)	
RV78	RC Ind. Lever (RV004), Ansul (17050)	
RV80	Strike First Lever/Handle (162803)	
RV81	Kidde Handle (206363), Fyr-Fyter (50013)	

**RIVET KIT** contains 50 each of the above listed rivets for a total of 1,000 rivets. Comes in a handy clear storage box and includes full-scale illustrations.

P/N	DESCRIPTION	EACH
RKIT	Rivet Kit	

Five-drawer **PARTS BIN RACK**. Order clear parts bin box separately.

P/N	DESCRIPTION	EACH
PBR1	Parts Bin Rack	
LPC16	Clear Parts Bin Box, 16 Compartments	
LPC24	Clear Parts Bin Box, 24 Compartments	



ORKIT



SLUBE



OLUBE



RV5



RV7



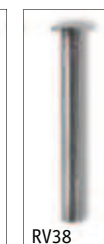
RV14



RV30



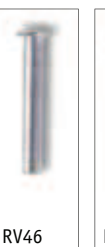
RV33



RV38



RV44



RV46



RV47



RV48



RV49



RV53



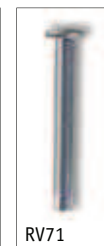
RV63



RV64



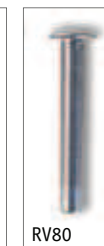
RV67



RV71



RV78



RV80



RKIT



PBR1, LPC16



## CUSTOM TAMPER SEALS

**CUSTOM SEALS.** Medium print area is  $\frac{3}{4}$ " x  $\frac{5}{8}$ "; large print area is  $1\frac{1}{2}$ " x  $\frac{3}{4}$ ". Signed proof must be received before order is given to the printers. Minimum order is 10,000 for custom seals. Sold and priced per 1,000 seals. Custom Die Charge is waived for exact re-orders. There are seven seal colors available: Black (BK), Yellow (Y), Red (R), Blue (BL), Green (G), White (W), and Orange (O). There are 11 imprint colors available: Light Blue (LB), Dark Blue (DB), Red (R), Yellow (Y), Black (BK), White (W), Green (G), Brown (BR), Metallic Copper (MC), Metallic Gold (MG), and Metallic Red (MR). Identify the seal color, i.e. **SSPLGFGY** for yellow custom seal, and specify imprint color.

P/N	DESCRIPTION	EACH
SSPFLAG	Custom Medium Flag Seal, Matted	
SSPLGFG_	Custom Large Flag Seal, Matted	
SSPFLAGDIE	Custom Die Charge (Initial Set-Up Fee)	

CUSTOM FLAG SEALS

## NON-CUSTOM TAMPER SEALS

Dateless **TAMPER SEAL** is a UL recognized component for fire extinguishers. Available in five colors. Not dated. Measures 9" long. Sold in bags of 500.

P/N	DESCRIPTION	EACH
CNDSY	Dateless Flag Tamper Seal, Yellow	
CNDSR	Dateless Flag Tamper Seal, Red	
CNDSBL	Dateless Flag Tamper Seal, Blue	
CNDSG	Dateless Flag Tamper Seal, Green	
CNDSBK	Dateless Flag Tamper Seal, Black	

DATELESS FLAG SEALS

Dateless medium, matted **TAMPER SEAL** is a UL recognized component for fire extinguishers. Available in seven colors. Measures 9" long. Sold in bags of 500 (50 matted sheets of 10 each).

P/N	DESCRIPTION	EACH
MFLAGY	Medium-Matted Flag Tamper Seal, Yellow	
MFLAGBK	Medium-Matted Flag Tamper Seal, Black	
MFLAGR	Medium-Matted Flag Tamper Seal, Red	
MFLAGBL	Medium-Matted Flag Tamper Seal, Blue	
MFLAGG	Medium-Matted Flag Tamper Seal, Green	
MFLAGW	Medium-Matted Flag Tamper Seal, White	
MFLAGO	Medium-Matted Flag Tamper Seal, Orange	

MFLAGBL, MFLAGY



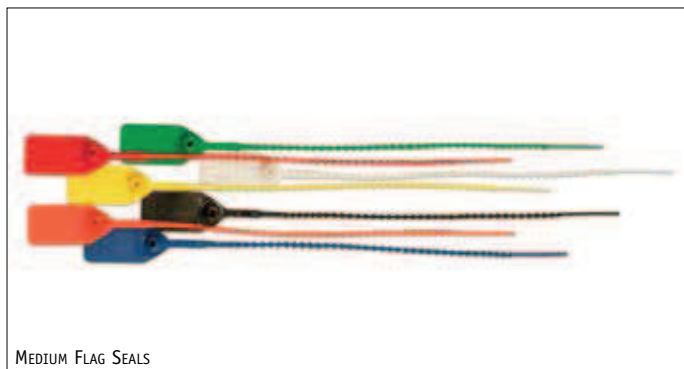


Medium flag **TAMPER SEAL** is a UL recognized component for fire extinguishers. Available in seven colors. Dated with the current year (shows seal has been replaced during annual maintenance, according to NFPA 10). Measures 9" long. Sold in bags of 500.

**NOTE:** Add two-digit year to part number, ie. **FLAGY14**.

P/N	DESCRIPTION
FLAGY_ _	Medium Flag Tamper Seal, Yellow
FLAGR_ _	Medium Flag Tamper Seal, Red
FLAGBL_ _	Medium Flag Tamper Seal, Blue
FLAGG_ _	Medium Flag Tamper Seal, Green
FLAGW_ _	Medium Flag Tamper Seal, White
FLAGO_ _	Medium Flag Tamper Seal, Orange
FLAGBK_ _	Medium Flag Tamper Seal, Black

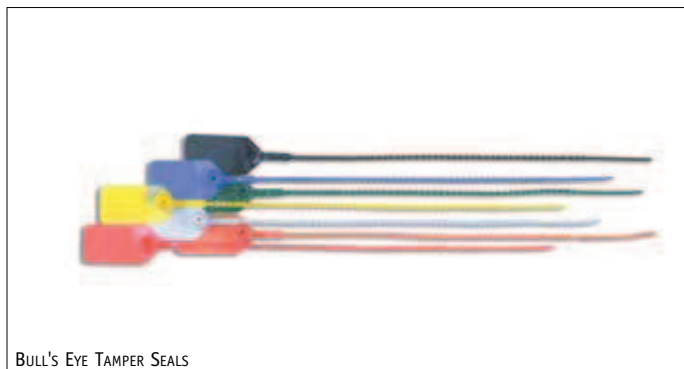
EACH



**Bull's Eye TAMPER SEAL** is a UL recognized component for fire extinguishers. Available in seven colors. Dateless. Measures 9" long. Sold in bags of 500.

P/N	DESCRIPTION
EJBY	Tamper Seal, Yellow
EJBBK	Tamper Seal, Black
EJBBL	Tamper Seal, Blue
EJBG	Tamper Seal, Green
EJBO	Tamper Seal, Orange
EJBR	Tamper Seal, Red
EJBW	Tamper Seal, White

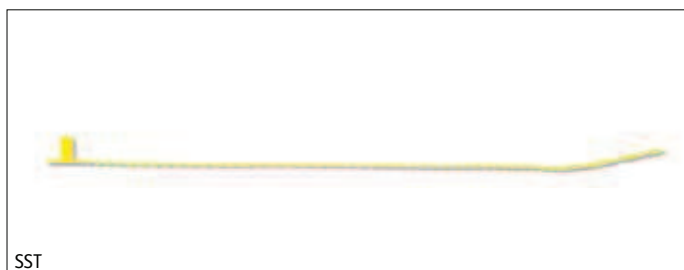
EACH



**Dennison tamper-evident polypropylene SEAL.**

P/N	DESCRIPTION
SST	8" Yellow Secure-A-Seal™, Pkg/2,000

EACH



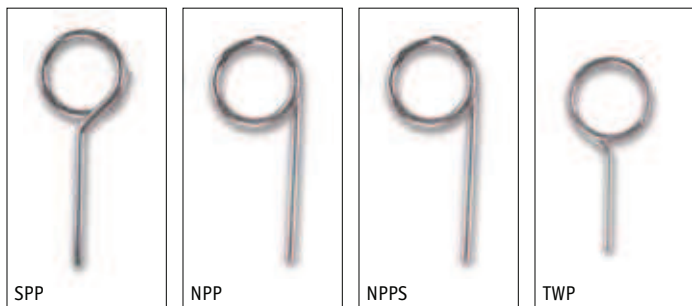
Multi-purpose metal wire **SEALS**. Sold in packages of 100.

P/N	DESCRIPTION
CS10	10" Copper Wire w/ 1/4" Lead Seal
SS10	10" Galvanized Steel Wire w/ 1/4" Lead Seal
SS16	16" Galvanized Steel Wire w/ 7/16" Lead Seal

EACH



# 11 FIRE EXTINGUISHER PARTS



## PULL PINS

**PULL PINS.** Priced and sold in packs of 100.

P/N	DESCRIPTION
SPP	Single-Point Pull Pin, Steel
NPP	New-Type Pull Pin

**PULL PINS.** Priced each.

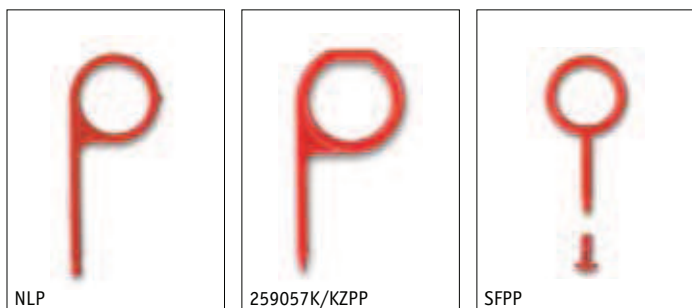
P/N	DESCRIPTION
NPPS	New-Type Pull Pin, Stainless Steel
TWP	Thin Wire Pull Pin, Steel



**PULL PINS.** Priced each.

P/N	DESCRIPTION
LLPS	Large Loop Stainless Steel Pull Pin
LLPP	Large Loop Steel Pull Pin
KDP	Kidde Type Double Point Pull Pin
NLP*	Red Plastic Pull Pin
259057K*	Kidde Red Plastic Pull Pin
KZPP*	Kidde Type Red Plastic Pull Pin

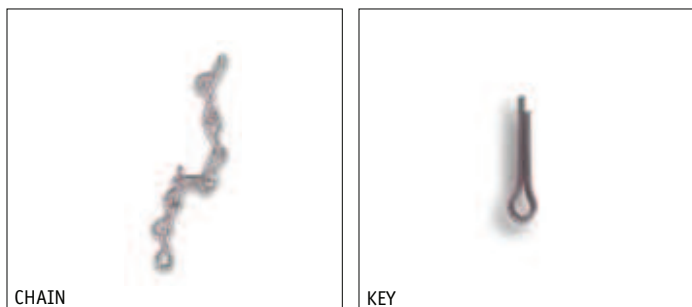
\*NON-MAGNETIC PULL PINS



**PULL PIN ACCESSORIES.** Priced each.

P/N	DESCRIPTION
SFPP*	Red Plastic Strike First Type Pull Pin Assembly
CHAIN	4" Single Jacket Galvanized Chain
KEY	Cotter Key For use w/ Chain
532A*	Nylon Chain for Pull Pin (Amerex)

\*NON-MAGNETIC



## CARTRIDGE BUSHINGS AND SHIPPING CAPS

### FILLING BONNET

P/N	DESCRIPTION	EACH
B2081	Filling Bonnet For Ansul & General D/C CO <sub>2</sub> Cartridge Extinguishers	
B2082	Filling Bonnet For use w/ Ansul Systems Cartridge	
OR26	Bonnet O-Rings	SEE PAGE 208
B209	Bushing Tool For use w/ B2081, B2082 Bonnets	
OR165	B209 Stem O-Ring	SEE PAGE 208



**"A" and "AA" BUSHINGS** should be tightened to 40 ft-lbs torque at room temperature.

NOTE: SEE WARNING below.

P/N	DESCRIPTION	EACH
A	Bushing For Ansul Portable D/C Extinguisher Cartridges	
AA	Bushing For Ansul D/C Systems & Nitrogen Cartridges	



**"E" BUSHINGS** should be tightened to 25 ft-lbs torque at room temperature.

NOTE: SEE WARNING below.

P/N	DESCRIPTION	EACH
E	Bushing For General Outside Mounted D/C Extinguisher Cartridges	
TW	Reversible Ratchet Torque Wrench	SEE PAGE 187



Cartridge **SHIPPING CAPS.**

P/N	DESCRIPTION	EACH
LHSC	LH Thread Cartridge Shipping Cap	
RHSC	RH Thread Cartridge Shipping Cap	

**WARNING:** The above parts and accessories are only a partial list of items and equipment needed to safely refill carbon dioxide and nitrogen cartridges. These parts and accessories should be purchased and used **only** by personnel who are thoroughly familiar with, and understand, the standards published in the Compressed Gas Association pamphlets G-6 and S-1.1, Code of Federal Regulations title 49, parts 100 thru 199, and who have received "hands-on" training under the direct supervision of someone experienced in cartridge refilling. If you lack the knowledge, training, or experience described above, **do not** attempt to refill either carbon dioxide or nitrogen cartridges. Instead, we recommend that you purchase either new cartridges or have them refilled by an established service facility. **Failure to adhere to the above instructions could result in serious injury or death.**



## CO<sub>2</sub> FIRE EXTINGUISHER VALVES

**CO<sub>2</sub> FIRE EXTINGUISHER VALVES** for 1/2"-neck steel cylinders.

P/N	DESCRIPTION
BHV50	FireTech CO <sub>2</sub> Valve
PSH2	RS CO <sub>2</sub> Valve
SW50	Swivel Discharge Assembly For PSH2 Valve & BHV50
DCT	1/8" Brass Discharge Tube For BECO PSH Valve





PSH1



BHV100

**CO<sub>2</sub> FIRE EXTINGUISHER VALVES** for 1"-neck steel cylinders. See page 273 for replacement parts.

P/N	DESCRIPTION
BHV100	FireTech CO <sub>2</sub> Valve w/ Latch
PSH1	RS CO <sub>2</sub> Valve w/ Latch
EL250	1/4" Elbow w/ Diffuser
EL375	3/8" Elbow w/ Diffuser



3090A



EL10, EL5

**CO<sub>2</sub> FIRE EXTINGUISHER VALVES** for 1 1/8"-neck aluminum cylinders.

P/N	DESCRIPTION
3090A	CO <sub>2</sub> Valve
EL10	3/8" Elbow w/ Diffuser For 10-20 lb 3090A Valves
EL5	Elbow For 5 lb 3090A Valves
DCT	1/8" Brass Discharge Tube For 3090A w/ EL5



EL250



BA100



EL375

**WHEELED UNIT VALVES** for 50-100 lb CO<sub>2</sub> units.

P/N	DESCRIPTION
BA100	1" Handwheel Valve
BA100STEMD	BA100 Valve Stem
RS5	BA100 Disc, Washer, & Nut Assembly



CEV



CEVQR

## WHEELED UNIT VALVES

P/N	DESCRIPTION
CEV	3/4" Nitrogen Valve w/ Gauge For Dry Chemical Wheeled Units
CEVDW	Safety Disc & Washer For CEV & CEVQR
CEVQR	3/4" Quick-Release Nitrogen Valve w/ 3,000 psi Gauge For Dry Chemical Wheeled Units
CEVQR4	3/4" Quick-Release Nitrogen Valve w/ 4,000 psi Gauge
CEVDW4	Safety Disc & Washer For CEVQR4
CEVSTEM	Lower Seat Stem for CEV
→ CEVSPINDLE	Upper Spindle for CEV
G3000	3,000 psi Replacement Gauge For CEVQR & 12467A



9895A



12467A

## QUICK-RELEASE VALVES

P/N	DESCRIPTION
9895A	3/4" Quick-Release Valve For 50-100 lb CO <sub>2</sub> Cylinders
12467A	3/4" T-Handle Quick-Release Nitrogen Valve w/ Gauge
4000A	Safety Disc, Washer, & Nut Assembly For 9895A



Brass **COMMERCIAL CO<sub>2</sub> VALVES** for aluminum and steel cylinders. Valves come threaded to accept siphon tube (except **CV50**) when **COMB** adapter is used. See page 273 for size information.

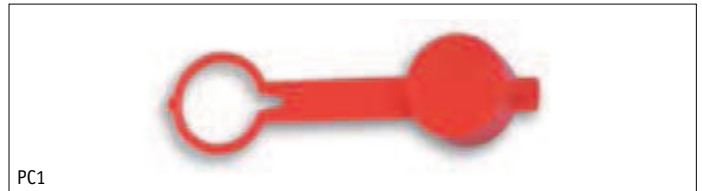
P/N	DESCRIPTION
CV50	CO <sub>2</sub> Valve For 1/2" Neck Steel Cylinders
CV75	CO <sub>2</sub> Valve For 3/4" Neck Steel Cylinders
CV100	CO <sub>2</sub> Valve For 1" Neck Steel Cylinders
CV100A	CO <sub>2</sub> Valve For 1 1/8" Straight-Thread Aluminum Cylinders
OR39	O-Ring for CV100A Valve

SEE PAGE 208



Brass **COMMERCIAL NITROGEN VALVES.**

P/N	DESCRIPTION
NV75	3/4" Nitrogen Valve w/ CGA 580 Outlet
NV100	1" Nitrogen Valve w/ CGA 580 Outlet
PC1	Plastic Thread Protector For 1/2" Outlet Valves
PC2	SCBA Thread Saver For Scott, MSA, & Survivair (w/ 18" Cord)
HWG	Handwheel Grip For Valves



## CO<sub>2</sub> SIPHON TUBES

**SIPHON TUBES** for extinguisher and commercial CO<sub>2</sub> valves.

**NOTE:** Always verify siphon tube is the correct length. More specifically, the siphon tube bottom should rest approximately 1/4" from the inside bottom of the cylinder (with the valve in place). If cutting is necessary, make it at 45°. This prevents the tube from sealing against the cylinder bottom.

P/N	DESCRIPTION
2ST	2 1/2 & 5 lb CO <sub>2</sub> Siphon Tube
10ST	10 lb CO <sub>2</sub> Siphon Tube
15ST	15 & 20 lb CO <sub>2</sub> Siphon Tube
COMB	Siphon Tube Adapter Fits 2ST, 10ST, 15ST
50ST	50 & 75 lb CO <sub>2</sub> Siphon Tube Fits BA100, 24128G Only
50BIST	Black Iron Siphon Tube, 53 1/2" x 1/4", NPT Fits CV75, CV100 Valves





## CO<sub>2</sub> SAFETY DISCS AND WASHERS

**CO<sub>2</sub> SAFETY DISCS** and **WASHERS** are for CO<sub>2</sub> fire extinguisher valves only. See pages 274 & 275 for **Sherwood** and **Superior** commercial valve safety disc assemblies.

P/N	DESCRIPTION
4000A	Amerex Disc, Washer, & Nut Assembly (Also 3090A & 9895A Valves) 250 in-lbs (21 ft-lbs)
429515AS	Ansul Disc, Washer, & Nut Assembly 35 ft-lbs
RS5	Ansul Disc, Washer, & Nut Assembly (Canadian Valves) 35 ft-lbs
24643B	Badger Disc, Washer, & Nut Assembly 25-30 ft-lbs
200081W	Buckeye Disc, Washer, & Nut Assembly 32 ft-lbs
429515AS	Flag Disc, Washer, & Nut Assembly 35 ft-lbs
50115F	Fyr-Fyter Safety Disc 20 ft-lbs
50116F	Fyr-Fyter Copper Washer
24643B	Kidde Disc, Washer, & Nut Assembly 25-30 ft-lbs
260299K	Kidde Safety Disc (Aluminum Valves) 250-275 in-lbs (21-23 ft-lbs)
258443K	Kidde Aluminum Washer
29450K	Kidde Copper Washer
RS5	RS Valve Disc, Washer, & Nut Assembly (PSH1, PSH2, & BA100 Valves) 27 ft-lbs
C16SV	Superior Safety Disc (Small Style for Extinguisher Valve) 6-7 ft-lbs (72-84 inch-lb)
C15SV	Superior Copper Washer (Small Style for Extinguisher Valve)
16ASV	Superior Safety Disc (Large Style for Military Valve) 35 ft-lbs
15SV	Gasket

CO<sub>2</sub> SAFETY DISCS & WASHERS

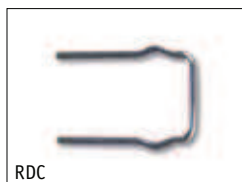
B114, STB114



B115



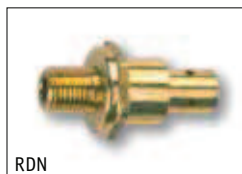
RDH10, RDH15



RDC



B128



RDN



B222

See page 187 for Torque Wrenches.

## CO<sub>2</sub> HORNS, NIPPLES, AND HANDLES

**CO<sub>2</sub> HORNS, NIPPLES, HANDLES,** and **CLIPS.**

**NOTE:** There are several different 5 lb horn and discharge tube designs. To ensure correct replacement parts, carefully check the old horn and tube. Also some discharge tubes have a long diffuser tip and will not work with certain horns. Test for CO<sub>2</sub> flow through discharge tube and horn assembly to be sure.

P/N	DESCRIPTION
B114	5 lb CO <sub>2</sub> Horn w/ Diffuser For use w/ Discharge Tubes w/o Diffuser
STB114	5 lb CO <sub>2</sub> Horn For use w/ Discharge Tubes w/ Built-In Diffuser
B11510	Conical Horn w/ Brass Diffuser For 10 lb CO <sub>2</sub> Extinguisher
B115	Conical Horn w/ Brass Diffuser For 15 & 20 lb CO <sub>2</sub> Extinguisher
RDH10	Rapid Discharge Horn & Handle For 10 lb CO <sub>2</sub> Extinguisher
RDH15	Rapid Discharge Horn & Handle For 15 & 20 lb CO <sub>2</sub> Extinguisher
RDC	Diffuser Clip For RDH CO <sub>2</sub> Horn
RDN	Diffuser For RDH CO <sub>2</sub> Horn
B128	Rubber Handle For All Conical Horns
B222	1/4" x 6" Galvanized Steel Nipple For All Conical Horns



Safety **HORN HOLDER** keeps horn in the down position against extinguisher, preventing water from entering hose/horn. Use **UHS33** strap to install (sold separately).

P/N	DESCRIPTION
SHH	Safety CO <sub>2</sub> Horn Holder
UHS33	Universal Hose Strap

### WHEELED CO<sub>2</sub> UNIT HORN ASSEMBLY

**NOTE:** The nipple/handle attaches to the <sup>3</sup>/<sub>8</sub>" female side of valve assembly. Horn attaches to other end of nipple, while hose attaches to <sup>1</sup>/<sub>2</sub>" male side of valve.

P/N	DESCRIPTION
CSV	Valve Assembly For 50 & 75 lb CO <sub>2</sub>
CSH	CO <sub>2</sub> Horn w/ Diffuser
CSN	<sup>3</sup> / <sub>8</sub> " x 18" Galvanized Steel Nipple
CSR	Rubber Handle For CSN Nipple



SHH w/ UHS33



UHS33



SHH



CSV, CSH, CSN, CSR

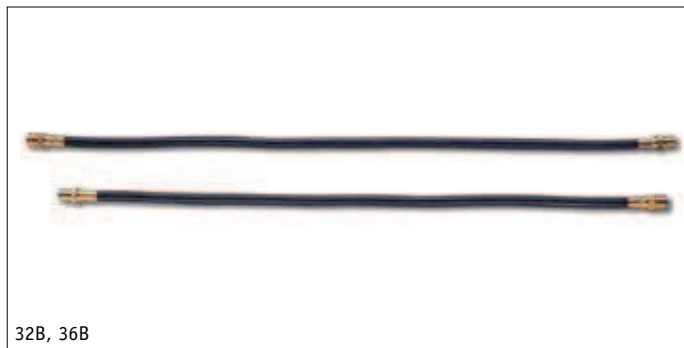
### CO<sub>2</sub> HOSE ASSEMBLIES

**CO<sub>2</sub> FIRE EXTINGUISHER HOSE** assemblies meet or exceed UL Standard 154. A perforated rubber-covered wire braided hose with heavy-duty brass couplings. Rated at 10,000 lb bursting pressure and 2,500 lb working pressure.

P/N	DESCRIPTION
32A	32" Hose For 10-20 lb CO <sub>2</sub> Extinguisher ( <sup>1</sup> / <sub>4</sub> "F x <sup>1</sup> / <sub>4</sub> "F)
32B	32" Hose For 10-20 lb CO <sub>2</sub> Extinguisher ( <sup>1</sup> / <sub>4</sub> "F x <sup>3</sup> / <sub>8</sub> "F)
36A	36" Hose For 10-20 lb CO <sub>2</sub> Extinguisher ( <sup>1</sup> / <sub>4</sub> "F x <sup>1</sup> / <sub>4</sub> "F)
36B	36" Hose For 10-20 lb CO <sub>2</sub> Extinguisher ( <sup>1</sup> / <sub>4</sub> "F x <sup>3</sup> / <sub>8</sub> "F)



32A, 36A



32B, 36B

**CO<sub>2</sub> WHEELED UNIT HOSE** assemblies measuring <sup>1</sup>/<sub>2</sub>" with same features as above.

**WARNING:** Leaving hose charged for long periods may result in jacket blistering.

P/N	DESCRIPTION
15FF	15' CO <sub>2</sub> Hose, <sup>1</sup> / <sub>2</sub> "F x <sup>1</sup> / <sub>2</sub> "F For 50 lb & Larger Wheeled & Stationary Units
15FM*	15' CO <sub>2</sub> Hose, <sup>1</sup> / <sub>2</sub> "F x <sup>1</sup> / <sub>2</sub> "M For 50 lb & Larger Wheeled & Stationary Units
→ 40FF	40' CO <sub>2</sub> Hose, <sup>1</sup> / <sub>2</sub> "F x <sup>1</sup> / <sub>2</sub> "F For 50 lb & Larger Wheeled & Stationary Units
50FM*	50' CO <sub>2</sub> Hose, <sup>1</sup> / <sub>2</sub> "F x <sup>1</sup> / <sub>2</sub> "M For 50 lb & Larger Wheeled & Stationary Units
CPLF	Coupling, <sup>1</sup> / <sub>2</sub> "F x <sup>1</sup> / <sub>2</sub> "F To Change Hose End from Male to Female
CPLM	Adapter <sup>1</sup> / <sub>2</sub> "M x <sup>1</sup> / <sub>2</sub> "M To Change Hose End from Female to Male

\*WHILE QUANTITIES LAST!



15FF



CPLF



CPLM



# 11 FIRE EXTINGUISHER PARTS

## REPLACEMENT BANDS AND STRAPS

### UNIVERSAL HOSE STRAP and CLIP.

P/N	DESCRIPTION
UHC	Universal Hose Clip
UHS33	Universal Hose Strap



UHS33

UHC



UHC w/ UHS33

LCC38 In Use

### ONE-PIECE HOSE and CLIP fits cylinders up to 7" in Dia.

P/N	DESCRIPTION
LCC12	Cable & Clip, 1/2" Dia. Hose
LCC38	Cable & Clip, 3/8" Dia. Hose



RDS15, RD520, RDBACLIP, SET6

### CO<sub>2</sub> REPLACEMENT STRAPS for 10–20 lb cylinders.

P/N	DESCRIPTION
RDS15	Strap For Rapid Discharge Style Horns, 10–15 lb
RDS20	Strap For Rapid Discharge Style Horns, 20 lb
RDBACLIP	Clip For Rapid Discharge Style Horns
SET6	Screw & Spacer for RDS15 & RDS20



SET6, RDBACLIP, RDS15 In Use

RDBACLIP





**CO<sub>2</sub> REPLACEMENT BANDS** for units with rapid discharge horns.

P/N	DESCRIPTION
RDBA	Aluminum Horn Band
SET2	Hardware For RDBA Band (Spacer, Nut, & Screw)
RDBB	Brass Horn Band
SET4	Hardware For RDBB Band (Spacer, Nut, & Screw)



**CO<sub>2</sub> REPLACEMENT BANDS** for units with conical discharge horns.

P/N	DESCRIPTION
UBA	Aluminum Horn Band
SET1	Hardware For UBA Band (Bar, Nut, & Screw)
UBB	Brass Horn Band
SET3	Hardware For UBB Band (Bar, Nut, & Screw)

**CARRYING HANDLES** and **ADAPTERS** reduce valve damage and make transporting cylinders easier. They provide protection for almost all CO<sub>2</sub> cylinders. The adapter fits steel cylinders with a neck diameter of 1<sup>3</sup>/<sub>8</sub>" to 1<sup>7</sup>/<sub>8</sub>".

P/N	DESCRIPTION
CCH1	Luxfer Carry Handle w/ Ring, 2 <sup>3</sup> / <sub>8</sub> " Neck
CCH2	Kidde Carry Handle w/ Ring, 2 <sup>7</sup> / <sub>16</sub> " Neck
CCH3	Catalina Carry Handle w/ Ring, 2 <sup>5</sup> / <sub>8</sub> " Neck
RING1	CCH1 Replacement Snap Ring
RING2	CCH2 Replacement Snap Ring
RING3	CCH3 Replacement Snap Ring
LHA	CCH1 Carry Handle Adapter For Steel Cylinders



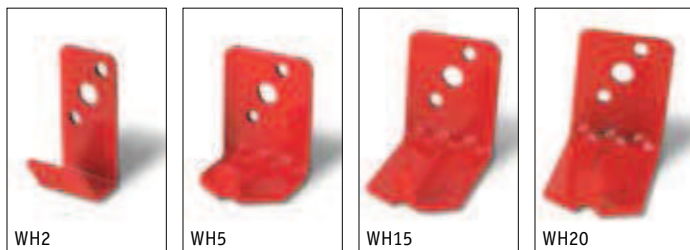
## BEVERAGE CYLINDER EQUIPMENT

**BEVERAGE REGULATORS** are for CO<sub>2</sub> beverage cylinders only.

**NOTE:** Not to be used on vacuum filling systems for extinguishers.

P/N	DESCRIPTION
BEV3	100 psi CO <sub>2</sub> Beverage Regulator
100G	BEV3 100 psi Replacement Gauge
BEV4	1,800/160 psi CO <sub>2</sub> Beverage Regulator
160G	BEV4 160 psi Replacement Gauge
BEV5	1,800/60 psi CO <sub>2</sub> Beverage Regulator
60G	BEV5 60 psi Replacement Gauge
2000G	0-2,000 psi Replacement Gauge w/ Right-Hand Threads
L2000G	0-2,000 psi Left-Hand Thread Gauge Fits Cornelius & Watts Fluidair (BEV4)

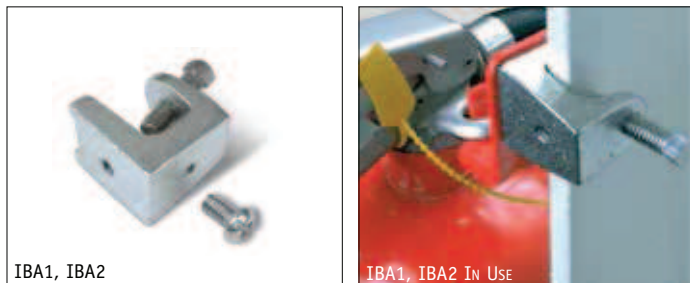




## WALL HANGERS

### WALL HANGERS

P/N	DESCRIPTION
WH2	Universal Hanger For 2½ gal Water, 10 lb D/C, 13 lb Halon
WH5	Universal Hanger For 5 lb CO <sub>2</sub> 6-10 lb D/C, 9 lb Halon
WH15	Universal Hanger For 10-15 lb CO <sub>2</sub> , 11-15.5 lb Halotron I
WH20	Universal Hanger For 20 lb CO <sub>2</sub> , 20 lb D/C, 17 lb Halon, Class D



**"I" BEAM ADAPTER** for hanging portable extinguishers on "I" beams. No drilling required. Dual mounting. Screws sold separately.

P/N	DESCRIPTION
IBA1	"I" Beam Adapter for Wall Hangers
IBA2	Screws for Wall Hangers, Pkg/100



### WALL HANGERS. Amerex®.

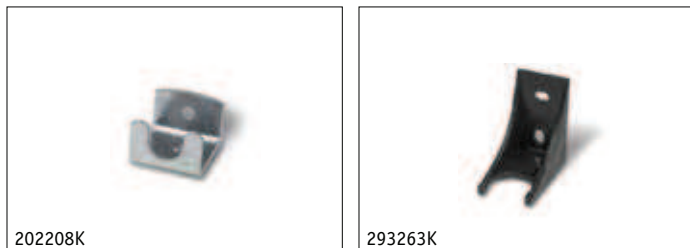
P/N	DESCRIPTION
4834A	Amerex Hanger For 1¼ & 2½ lb Halon, 2½ lb D/C
1521A	Amerex Hanger For 5 lb D/C Extinguisher (Thru 2007)
16591A	Amerex Hanger For 5 lb D/C Extinguishers (2008 & Later)
5525A	Amerex Hanger For 6-13 lb Extinguisher



### WALL HANGERS. Ansil®, Buckeye, and Fyr-Fyter.

P/N	DESCRIPTION
ACWH1	Ansil Hanger For 10-30 lb Cartridge Extinguisher
ASWH2	Ansil Hanger For 4½-9 lb Sentry "SY Model" Extinguisher
ASWH3	Ansil Hanger For 10-14 lb Sentry "SY Model" Extinguisher
ASWH4	Ansil Hanger For 17-20 lb Sentry "SY Model" Extinguisher
700207W	Buckeye Hanger For 2½-5 lb Extinguisher
109942F*	Fyr-Fyter Hanger For 2½-6 lb Extinguisher

\*WHILE QUANTITIES LAST!



### WALL HANGERS. Kidde and Pemall.

P/N	DESCRIPTION
202208K	Kidde Hanger For 4 lb CO <sub>2</sub> Extinguisher
293263K	Kidde Hanger For 6 lb D/C Extinguisher
1141K	Kidde Hanger For Pro-Line Extinguisher
340357K	Kidde Hanger For 2½-2¾ lb D/C Extinguisher
340358K	Kidde Hanger For 4-6 lb D/C Extinguisher
340791K	Kidde Hanger For 10 lb D/C Extinguisher
WB1PA	Pemall Hanger For 5-10 lb Small Valve Extinguisher
WB2PA	Pemall Hanger For 10-20 lb Large Valve Extinguisher



**WALL HANGERS. Power-Pak.**

P/N	DESCRIPTION
5502P	Power-Pak Hanger For 5 lb Extinguisher
1010P	Power-Pak Hanger For 10 lb Extinguisher



**WALL HANGERS. RC Ind.**

P/N	DESCRIPTION
BT029RC	RC Ind. Hanger For 2½-10 lb Extinguisher



**VEHICLE, SPRING CLIP, AND HEAVY-DUTY BRACKETS**

**VEHICLE BRACKETS. Amerex®.**

P/N	DESCRIPTION
817A	Amerex Bracket For 2½ lb Extinguisher
817SA	Amerex Bracket For 2½ lb Extinguisher w/ Double Strap
818A	Amerex Bracket For 5 lb Extinguisher
818SA	Amerex Bracket For 5 lb Extinguisher w/ Double Strap
821A	Amerex Bracket For 5 lb Extinguisher
808A	Amerex Bracket For 6 lb Extinguisher
846A	Amerex Bracket For 10 lb Extinguisher
861HA	Amerex Bracket For 5 lb Extinguisher
860A	Amerex Bracket For 3"-4¼" Dia Shells w/ Cord
862A	Amerex Bracket For 5"-7" Dia Shells w/ Cord
864A	Amerex Bracket For 7"-8" Dia Shells w/ Cord
7166A	Replacement Cord For Brackets 860A & 862A
7802A	Replacement Cord For 864A
RG	Heavy-Duty Rubber Grommet



**VEHICLE BRACKETS. Ansul®.**

P/N	DESCRIPTION
24610AS	Ansul Sentry Bracket For 2½ & 2¾ lb Extinguisher
415824AS	Ansul Sentry Bracket For 5 lb Extinguisher (Current Models)
429146AS	Ansul Sentry Bracket For 5 lb Extinguisher ("SY" Models, except SY-0515)
79758AC	Ansul Bracket For 5 lb Cartridge-Operated Extinguisher



# 11 FIRE EXTINGUISHER PARTS



MB250



700270W In Use

## VEHICLE BRACKETS. Badger™ and Buckeye.

P/N	DESCRIPTION
MB250	Badger Bracket For 2½ lb & 2¾ lb Extinguisher
MB5	Badger Bracket For 5 lb Extinguisher
700270W	Buckeye Bracket For 5 lb Extinguisher



466400K, 466401K



UPB25

## VEHICLE BRACKETS. Kidde.

P/N	DESCRIPTION
466400K	Kidde Bracket For 5 & 6 lb Extinguisher
466401K	Kidde Bracket For 2½ & 2¾ lb Extinguisher

## VEHICLE BRACKETS. Universal.

P/N	DESCRIPTION
UPB25	Universal For 2½ & 2¾ lb Extinguisher
UPB5	Universal For 5 & 6 lb Extinguisher



UPB5



15SC



4SC

## SPRING CLIP BRACKETS

P/N	DESCRIPTION
2SC	Spring Clip Bracket For 2½ lb CO <sub>2</sub> Extinguisher
4SC	Spring Clip Bracket For 5 & 6 lb D/C, Halon, & CO <sub>2</sub> Extinguisher
15SC	Spring Clip Bracket w/ Hanger For 10 & 15 lb D/C, Halon, & CO <sub>2</sub> Extinguisher



5BRK



UBRK



HWC5

## SPRING CLIP BRACKETS

P/N	DESCRIPTION
UBRK	Spring Clip Bracket For 2½ & 2¾ lb D/C & Halon Extinguisher
5BRK	Spring Clip Bracket For 5 & 6 lb D/C & Halon Extinguisher
HWC5	Spring Clip Bracket For 5"-5½" Dia Shells

## PLASTIC UNIVERSAL SPRING CLIP BRACKETS

P/N	DESCRIPTION
25UPB	Universal Spring Clip Bracket, Plastic Fits 2½ lb Extinguisher
5UPB	Universal Spring Clip Bracket, Plastic Fits 5 lb Extinguisher
10UPB	Universal Spring Clip Bracket, Plastic Fits 10 lb Extinguisher



25UPB



**VEHICLE BRACKETS** have welded steel construction to prevent bracket from vibrating open. Order **HPIN** separately.

P/N	DESCRIPTION
5DC	Running Board Bracket For 4 <sup>3</sup> / <sub>4</sub> "-4 <sup>1</sup> / <sub>2</sub> " Dia Shells
807A	Amerex Heavy-Duty Bracket For 4 <sup>3</sup> / <sub>4</sub> " Dia Shells
5HB	Running Board Bracket For 4 <sup>7</sup> / <sub>8</sub> "-5 <sup>5</sup> / <sub>8</sub> " Dia Shells
809A	Amerex Heavy-Duty Bracket For 5" Dia Shells
AX809G	Amerex Heavy-Duty Bracket (Galvanized) For 5" Dia Shells
10HB	Running Board Bracket For 5 <sup>3</sup> / <sub>4</sub> "-6 <sup>1</sup> / <sub>4</sub> " Dia Shells
366242K	Badger, Kidde Heavy-Duty Bracket For 5 <sup>1</sup> / <sub>2</sub> " Dia Shells
15HB	Running Board Bracket For 6 <sup>1</sup> / <sub>2</sub> "-7" Dia Shells
810A	Amerex Heavy-Duty Bracket For 7" Dia Shells
AX810G	Amerex Heavy-Duty Bracket (Galvanized) For 7" Dia Shells
AX810CG	Amerex Heavy-Duty Bracket (USCG Models) For Models B250CG, B260CG, B262CG
292474K	Badger, Kidde Heavy-Duty Bracket For 7"-7 <sup>1</sup> / <sub>64</sub> " Dia Shells
15HBL	Running Board Bracket For 7 <sup>1</sup> / <sub>4</sub> "-7 <sup>1</sup> / <sub>2</sub> " Dia Shells
20HB	Running Board Bracket For 7 <sup>3</sup> / <sub>4</sub> "-8" Dia Shells
811A	Amerex Heavy-Duty Bracket For 8" Dia Shells
AX811G	Amerex Heavy-Duty Bracket (Galvanized) For 8" Dia Shells
HPIN	"Hair Pin" Clip For Heavy-Duty Brackets, Pkg/5
RG	Heavy-Duty Rubber Grommet



5HB

HPIN



20HB



A10C



AG30C

**VEHICLE BRACKETS** for **Ansul®** and **General** have steel bolted construction and include hasp and latch pin. Will not vibrate open. Pin must be removed to free extinguisher.

P/N	DESCRIPTION
A10C	Ansul 10 lb-Style Cartridge-Operated Bracket
AG20C	Ansul & General 20 lb-Style Cartridge-Operated Bracket
AG30C	Ansul & General 30 lb-Style Cartridge-Operated Bracket
AGRG	Heavy-Duty Rubber Grommet for Cartridge Bracket



466541B



466542B

**VEHICLE BRACKETS** for **Badger™ Brigade** cartridge-operated models.

P/N	DESCRIPTION
466541B	Badger 10 lb-Style Cartridge-Operated Bracket
466542B	Badger 20 lb-Style Cartridge-Operated Bracket
466543B	Badger 30 lb-Style Cartridge-Operated Bracket



466543B



HLK

Our **HANGER LOOP KIT** replaces those broken loops on the back of stainless steel cylinders. Directions included with each kit.

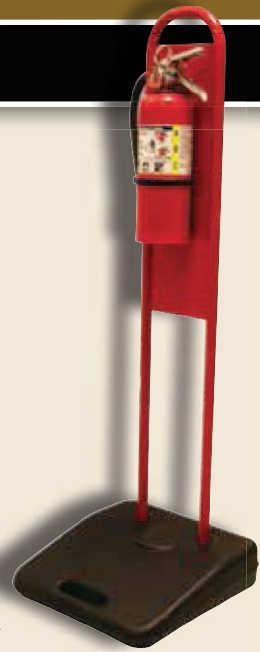
P/N	DESCRIPTION
HLK	Hanger Loop Kit (Universal Replacement Bracket)



## Sturdy, Quality Construction!



FES1



Make moving from jobsite to jobsite easy with this portable **FIRE EXTINGUISHER STAND**. The stand holds a 5, 10, or 20 lb dry chemical or clean agent extinguisher and is ideal for wherever a fire extinguisher is required but cannot be permanently mounted. Its 16" x 16" base features a molded-in handle for ease of movement and a large 2½" fill hole for the addition of sand to weight the base. The heavy-duty upright attaches easily to base without the use of tools. Constructed from red powder-coated steel (predrilled for a fire extinguisher wall hook). Base holds up to 35 lbs of sand.

NOTE: Sand and wall hook are not included.

P/N	DESCRIPTION	EACH
FES1	Fire Extinguisher Stand, 48"	



→ NEW

FMRGC

The **Original Firemate™** is a stackable, portable fire extinguisher stand that's easy to move from jobsite to jobsite. Made of tough HDPE plastic, with a wide base, it's right at home in rough environments and resists tipping. The stand holds 5, 10, or 20 pound extinguishers and is ideal for construction sites, exhibit halls, aircraft facilities, industrial sites, and more. OSHA compliant. Red.

NOTE: Fire extinguisher not included.

P/N	DESCRIPTION	EACH
→ FMRGC	Portable Fire Extinguisher Stand	



859A



→ NEW

FES2

The **FireTech™ FIBERGLASS STAND** is designed for use with **FGC26 Fiberglass Cabinet**. Its red finish perfectly matches the cabinet and it comes with four pre-drilled holes for permanent attachment to docks or other locations. There are also mounting holes and hardware for attaching the cabinet. Sand can be added as well, for temporary placement. Measures 27½" tall with a 15½" x 15½" base and 8¼" x 11¾" top surface.

P/N	DESCRIPTION	EACH
→ FES2	Fiberglass Cabinet Stand For FGC26 Cabinet	

**Amerex® HEAVY-DUTY DOLLY CART** enhances mobility of the larger, heavier extinguisher sizes. Fits cylinders 7"–8" in Dia.

P/N	DESCRIPTION	EACH
859A	Heavy-Duty Dolly Cart	SEE PAGE 13



## FIRE EXTINGUISHER PICTOGRAMS

### DRY CHEMICAL

400, 400T, 403, 403T, 409T, 410T, 416T, 417, 417T, 425, 425T, 442, 443, 453, 454, 456, 459, 479T, 500, 500T

### HALON 1211

344, 344T, 352, 354A, 355T, 358

FIG.	P/N	SERVICE & MAINTENANCE PART DESCRIPTION	EACH
1	11823A	Valve Assembly All Dry Chemical	
2		Pull Pin	SEE PAGE 212
2A	532A	Chain (Nylon) for Pull Pin	SEE PAGE 212
3		Tamper Seal	SEE PAGE 210
4	2625A	Lever & Rivet	
4	6067A	Lever & Rivet All, Except 344, 344T 344, 344T	
5	1060A	Lever Rivet Only	
6	G100H	Gauge - 100 (Halon) 344, 344T	SEE PAGE 204
6	G125H	Gauge - 125 (Halon) 352T, 355T	SEE PAGE 204
6	G195	Gauge - 195 All Dry Chemical	SEE PAGE 204
6	G195H	Gauge - 195 (Halon) 354A, 358	SEE PAGE 204
7	9001A	Handle & Rivet 344, 344T	
7	9002A	Handle & Rivet All, Except 344, 344T, 400, 400T, 443, 454, 456, 358, 442, 459	
7	9003A	Handle & Rivet 400, 400T, 443, 454, 456, 358, 442, 459	
8	1064A	Handle Rivet Only	
9	5241A	Collar O-Ring	
10	6092A	Valve Stem Assembly	SEE PAGE 205
12	1074A	Spring	
13	1519A	Siphon Tube Assembly 456	
13	6212A	Siphon Tube Assembly 409T, 425, 425T, 416T, 355T, 453, 479T, 500, 500T	
14	2162A	Hose & Horn Assembly (.140) 454	
14	5248A	Hose & Horn Assembly (.152) 479T, 500, 500T, 443	
14	5564A	Hose & Horn Assembly (.191) 456	
14	6215A	Hose & Horn Assembly (.147) 453	
14	7641A	Hose & Horn Assembly (.149) 400, 400T	
14	1253A	Nozzle (.166) 425, 425T	
14	1276A	Nozzle (.120) 410T	
14	1926A	Nozzle (.129) 417, 417T	
14	3211A	Nozzle (.120ST) 403T	
14	3741A	Nozzle (.173P) 409T, 416T	
14	7115A	Nozzle w/ O-Ring (.098) 352T, A352T	
15	1532A	Hose Gasket O-Ring	

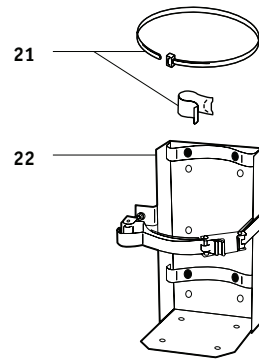
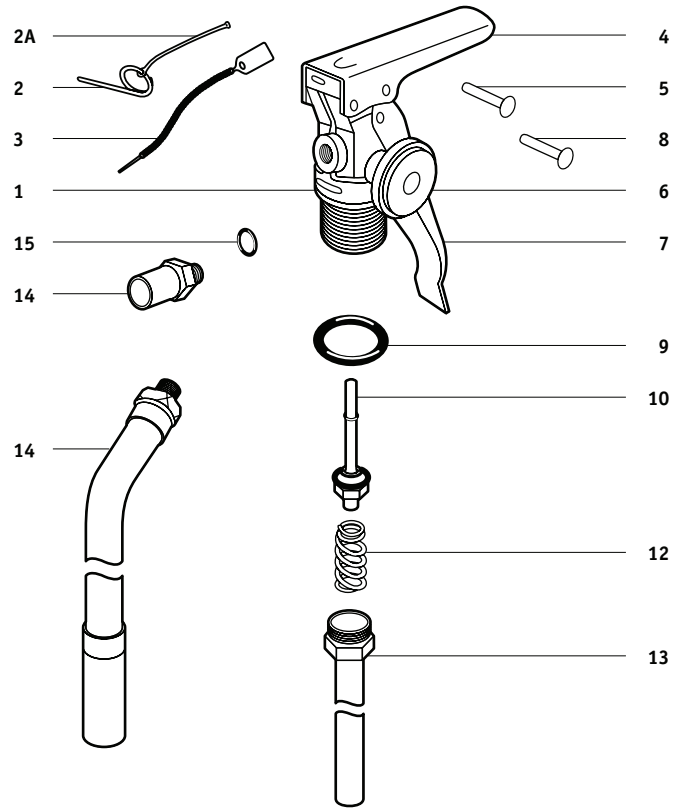
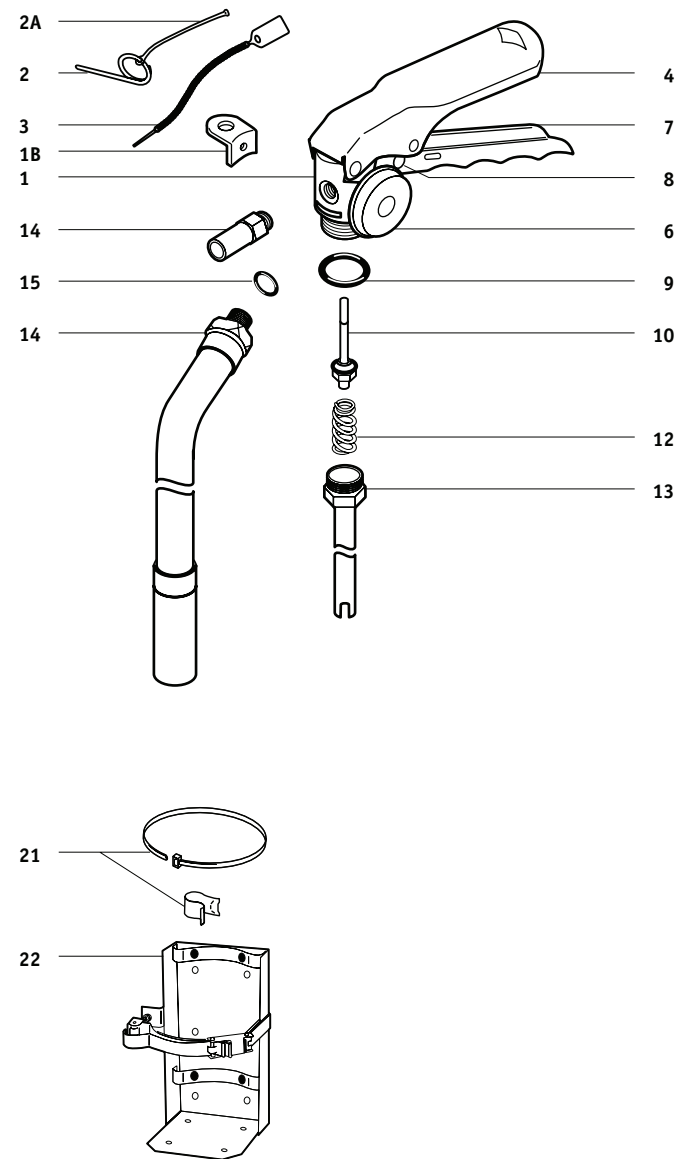


FIG.	P/N	ACCESSORY PART DESCRIPTION	EACH
21		Universal Hose Strap/Clip	SEE PAGE 218
N/S	1521A	Wall Hanger	SEE PAGE 220
N/S	4834A	Wall Hanger 400, 425, 453, 479, 500	SEE PAGE 220
N/S	5525A	Wall Hanger 344, 417	SEE PAGE 220
N/S	861HA	Wall Hanger 442, 443, 454, 456, 459	SEE PAGE 220
N/S	5DC	Heavy-Duty Strap Bracket 355, 400, 409, 453, 479, 500	SEE PAGE 221
N/S	5HB	Heavy-Duty Vehicle Bracket 355, 400, 409, 453, 479, 500	SEE PAGE 223
N/S	AD21	Heavy-Duty Vehicle Bracket 443, 456	SEE PAGE 223
N/S	AD21	Recharge Adapter	SEE PAGE 175
N/S	HTA11	Hydrostatic Test Adapter	SEE PAGE 179



# 11 AMEREX - FIRE EXTINGUISHER PARTS



## DRY CHEMICAL

A400, A400T, A402, A402T, A403T, A409T, A410T, A411, A412, A413, A416T, A417, A417T, A443, A453, A456, A457, A459, A479T, A500, A500T, A620T, B402, B402T, B403T, B409T, B410T, B416T, B417, B417T, B443, B456, B457, B459, B453, B479T, B500, B500T

## HALON 1211

A352T, A354A, C354, A355, A355T, B355T, C352T

## HALOTRON I

A384T, A385TS, A386T, B385TS, B386T, B394TS

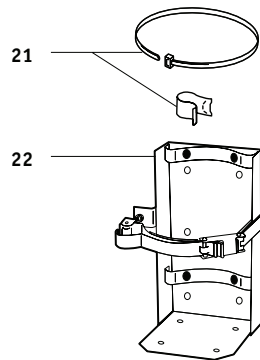
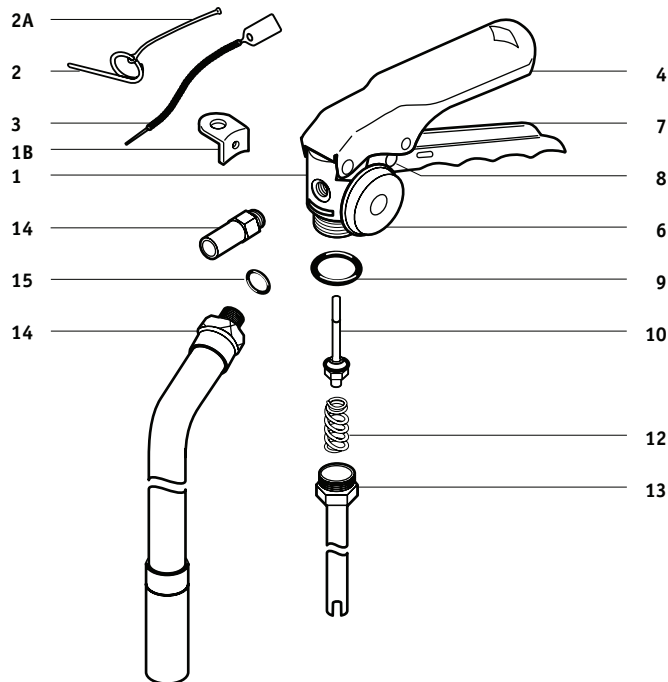
FIG.	P/N	SERVICE & MAINTENANCE PART DESCRIPTION	EACH
1	11823A	Valve Assembly All Dry Chemical, Except 20 lb, A620T	
1	11824A	Valve Assembly 20 lb	
1B	14220A	Hanger Loop w/ Screw	
2		Pull Pin	SEE PAGE 212
2A	532A	Chain (Nylon), for Pull Pin	SEE PAGE 212
3		Tamper Seal	SEE PAGE 210
4	11825A	Lever & Rivet All, Except A384T	
N/S	1060A	Lever Rivet Only	
6	G195	Gauge - 195 All Dry Chemical	SEE PAGE 204
6	G125H	Gauge - 125 (Halon) A352T, A355T	SEE PAGE 204
6	G195H	Gauge - 195 (Halon) A354A, C354	SEE PAGE 204
6	G100T	Gauge - 100 (Halotron I) A385TS, A386T	
6	G125T	Gauge - 125 (Halotron I) A384T	
7	11826A	Handle & Rivet All, Except A620T, A411, A412, A413, A384T	
7	12405A	Handle & Rivet A411, A412, A413	
8	1064A	Handle Rivet Only All, Except A411, A412, A413	
9	5241A	Collar O-Ring All Dry Chemical, Halon 1211	
9	14268A	Collar O-Ring (Green) All Halotron I	
10	6092A	Valve Stem Assembly All Dry Chemical, Halon 1211	SEE PAGE 205
10	14327A	Valve Stem Assembly (Green Seal) All Halotron I	
12	1074A	Spring	
13	1519A	Siphon Tube Assembly A456, A457, B456, B457	
13	6212A	Siphon Tube Assembly A402, A402T, A409T, A355T, A453, A479T, A500, A500T, A386T, B402, B402T, B403T, B409T, B410T, B416T, B417, B417T, B453, B479T, B500, B500T, B385TS, B386T	
14	11221A	Hose & Horn Assembly (.209) A411	
14	5248A	Hose & Horn Assembly (.152) A479T, A443, B479T, B443	
14	5564A	Hose & Horn Assembly (.191) A456, A457, B456, B457	
14	6215A	Hose & Horn Assembly (.147) A453, A500, A500T, B453, B500, B500T	
14	7641A	Hose & Horn Assembly (.149) A400, A400T	
14	14849A	Hose & Horn Assembly (.157) A402, A402T, B402, B402T	
14	1276A	Nozzle (.120) A410T, B410T	
14	1926A	Nozzle (.129) A417, A417T, B417, B417T	
14	3211A	Nozzle (.120ST) A403T, B403T	
14	3741A	Nozzle (.173P) A409T, A416T, B409T, B416T	
14	14407A	Nozzle (.121) A384T	
14	14408A	Nozzle (.166) A385TS	
14	14409A	Nozzle (.277) A386T	
14	7115A	Nozzle w/ O-Ring (.098), Pkg/3 A352T	





CONTINUED FROM PAGE 226

FIG.	P/N	SERVICE AND MAINTENANCE PART DESCRIPTION	EACH
15	6978A	Hose Gasket (O-Ring) A411, A412, A413	
15	1532A	Hose Gasket (O-Ring) All 5, 5½, 6, 10 lb	
FIG.	P/N	ACCESSORY PART DESCRIPTION	EACH
21		Universal Hose Strap/Clip	SEE PAGE 218
N/S	1521A	Wall Hanger A386T, A400, A402, A453, A479T, A500, B402*, B453, B479T, B500* (*Thru 2007)	SEE PAGE 220
N/S	16591A	Wall Hanger B402, B500 (2008 & Later)	SEE PAGE 220
N/S	4834A	Wall Hanger A384T, A385TS, A403T, A410T, A417, A620T, B403T, B410T, B417T	SEE PAGE 220
N/S	5525A	Wall Hanger A443, A456, A457, B456, B457	SEE PAGE 220
N/S	WH2	Wall Hanger A411, A412, A413	SEE PAGE 220
N/S	861HA	Heavy-Duty Strap Bracket	SEE PAGE 221
22	5DC	Heavy-Duty Vehicle Bracket A355, A400, A402, A409, A453, A479, A500	SEE PAGE 223
22	5HB	Heavy-Duty Vehicle Bracket A443, A456, A457, B456, B457	SEE PAGE 223
22	15HB	Heavy-Duty Vehicle Bracket A411, A412, A413	SEE PAGE 223
N/S	AD21	Recharge Adapter All, Except A411, A412, A413	SEE PAGE 175
N/S	AD24	Recharge Adapter A411, A412, A413	SEE PAGE 175
N/S	HTA11	Hydrostatic Test Adapter	SEE PAGE 179



**DRY CHEMICAL**

408, 415, 418T, 419, 423, 424, 441, 447, 460, 461, 462, B424, B441, B447, B460, B461, B462

**HALON 1211**

357, 361, 369, B369, 371, B371, 372

**HALOTRON I**

387, 388, 397, 398

**CLASS D**

570, 571, B570, B571

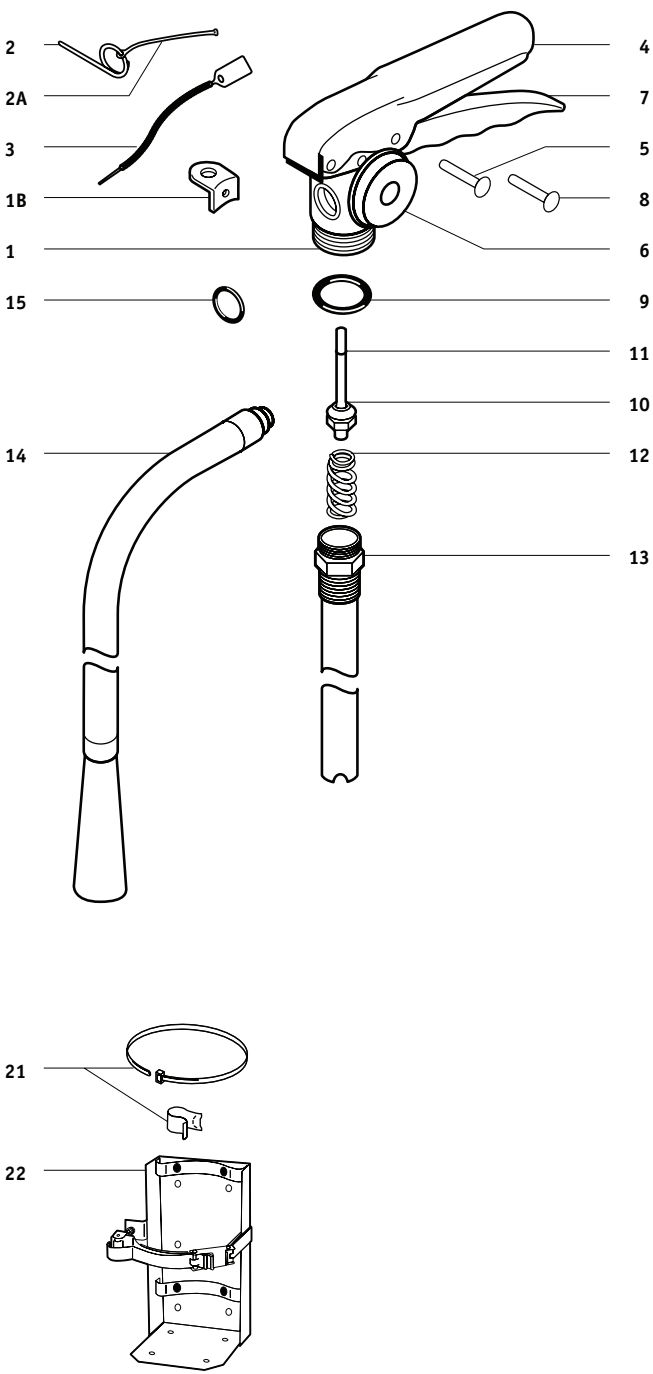


FIG.	P/N	SERVICE & MAINTENANCE PART DESCRIPTION	EACH
1	11952A	Valve Assembly All Dry Chemical, Class D	
1B	15363A	Hanger Loop w/ Screw B441, B447, B460, B461, B462, B371	
2		Pull Pin, Stainless Steel	SEE PAGE 212
2A	532A	Chain (Nylon) for Pull Pin	SEE PAGE 212
3		Tamper Seal	SEE PAGE 210
4	7762A	Lever & Rivet	
5	1563A	Lever Rivet Only	
6	G195	Gauge - 195 All Dry Chemical, Class D	SEE PAGE 204
6	G125H	Gauge - 125 (Halon)	SEE PAGE 204
6	G195H	Gauge - 195 (Halon) 361, 369, B369, 371, B371, 372	SEE PAGE 204
6	G125T	Gauge - 125 (Halotron I) 387, 388, 397, 398	
7	9020A	Handle & Rivets	
8	1564A	Handle Rivet Only	
9	5240A	Collar O-Ring All Dry Chemical, Halon 1211	
9	13305A	Collar O-Ring (Green) All Halotron I	
10	6093A	Valve Stem Assembly All Dry Chemical & Halon 1211	SEE PAGE 205
10	13288A	Valve Stem Assembly (Green Seals) All Halotron I	
11	5243A	Valve Stem O-Ring	
12	383A	Spring	
13	1667A	Siphon Tube 408, 415, 423	
13	2609A	Siphon Tube 441, 447, 460, B441, B447, B460	
14	1178A	Hose & Horn Assembly (.173) 447, 441, B447, B441	
14	1945A	Hose & Horn Assembly (.157) 424, B424	
14	3339A	Hose & Horn Assembly (.174) 423	
14	6095A	Hose & Horn Assembly (.152) 419, 460, B460	
N/S	Z10744AD	Hose Assembly* 570, 571, B570, B571	
N/S	Z9073AD	O-Ring* 570, 571, B570, B571	
N/S	Z10800AD	Extension Applicator, w/ Horn & Quick Connect* 570, 571, B570, B571	
N/S	Z14595AD	Horn* 570, 571, B570, B571	
N/S	Z10802AD	Female Quick Connect* 570, 571, B570, B571	
15	6978A	Hose Gasket (O-Ring)	

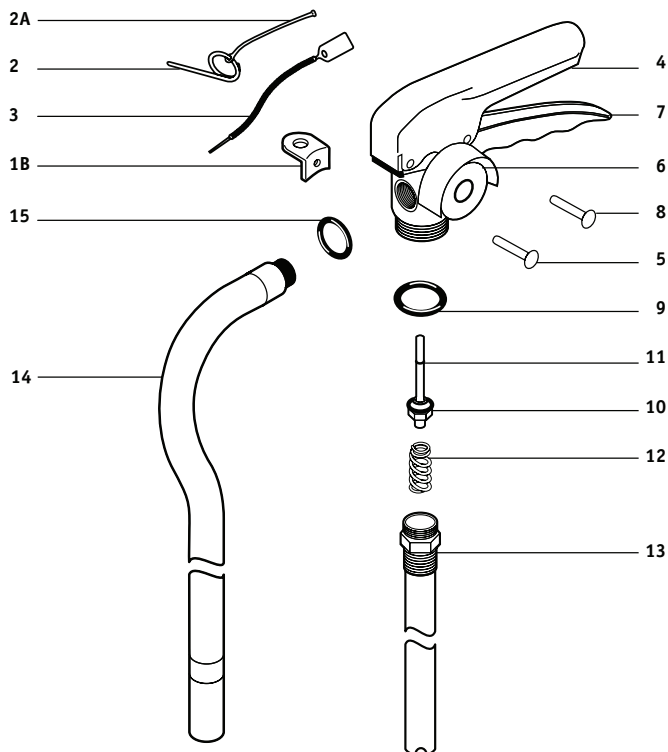
FIG.	P/N	ACCESSORY PART DESCRIPTION	EACH
21		Universal Hose Strap/Clip	SEE PAGE 218
N/S	WH2	Wall Hanger All, Except 418T, 387, 388	SEE PAGE 220
N/S	861HA	Heavy-Duty Strap Bracket 357, 424	SEE PAGE 221
22	5DC	Heavy-Duty Vehicle Bracket 357, 424	SEE PAGE 223
22	5HB	Heavy-Duty Vehicle Bracket 369, 371, 441, 447, 460, 461, 462	SEE PAGE 223
22	10HB	Heavy-Duty Vehicle Bracket 419	SEE PAGE 223
22	15HB	Heavy-Duty Vehicle Bracket 361, 372, 408, 415, 423	SEE PAGE 223
N/S	AD24	Recharge Adapter	SEE PAGE 175
N/S	HTA9	Hydrostatic Test Adapter	SEE PAGE 179

\* NOTE: These parts fit extinguishers manufactured after Aug. 1991 and can be retrofitted to earlier models provided that all parts are replaced.



**DRY CHEMICAL** (High Performance)  
 564, 566, 567, 568, 569, 580, 581, 582, 584, 589, 591, 592, 594, 595, 599

FIG.	P/N	SERVICE & MAINTENANCE PART DESCRIPTION	EACH
1B	9584A	Hanger Loop w/ Screw	
2		Pull Pin, Stainless Steel	SEE PAGE 212
2A	532A	Chain (Nylon) for Pull Pin	SEE PAGE 212
3		Tamper Seal	SEE PAGE 210
4	9840A	Lever & Rivet	
5	1563A	Lever Rivet Only	
6	G240	Gauge - 240	SEE PAGE 204
7	9020A	Handle & Rivets	
8	1564A	Handle Rivet Only	
9	5240A	Collar O-Ring	
10	6093A	Valve Stem Assembly	SEE PAGE 205
11	5243A	Valve Stem O-Ring	
12	383A	Spring	
13	1667A	Siphon Tube	
		All 20 lb	
14	14787A	Hose & Horn Assembly (.166)	
		564 (Oct. 1999 & later)	
14	14786A	Hose & Horn Assembly (.157)	
		566 (Oct. 1999 & later)	
14	14789A	Hose & Horn Assembly (.312)	
		567, 568, 569, 584 (Oct. 1999 & later)	
15	6978A	Hose Gasket (O-Ring)	
<b>FIG.</b>	<b>P/N</b>	<b>ACCESSORY PART DESCRIPTION</b>	<b>EACH</b>
N/S		Universal Hose Strap/Clip	SEE PAGE 218
		All 1999 later	
N/S	AD36	Recharge Adapter	SEE PAGE 175
		All Prior to 1999	
N/S	AD24	Recharge Adapter	SEE PAGE 175
		All 1999 later	
N/S	HTA9	Hydrostatic Test Adapter	SEE PAGE 179



# 11 AMEREX - FIRE EXTINGUISHER PARTS

## DRY CHEMICAL

476, 477, 478, 488, 489, 490

## HALON 1211

600, 610

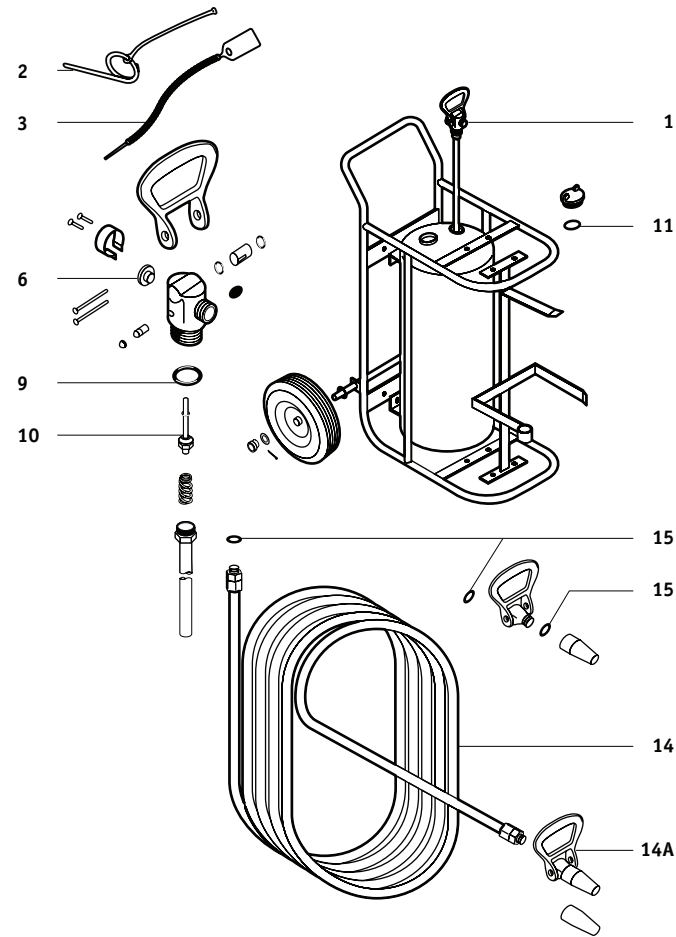


FIG.	P/N	SERVICE & MAINTENANCE PART DESCRIPTION	EACH
1	5197AD	Valve Assembly w/ Siphon Tube (Special Order) Dry Chemical	
N/S	3787A	Safety Disc Assembly	
2		Large Loop Pull Pin	SEE PAGE 212
3		Tamper Seal	SEE PAGE 210
6	G240	Gauge - 240 Dry Chemical	SEE PAGE 204
9	5239A	Collar O-Ring	
10	5067A	Valve Stem Assembly	
11	8392A	Fill Cap Gasket Dry Chemical	
14	Z3501AD	Hose, 3/4" x 50' (Special Order)	
14A	Z5191AD	Nozzle Assembly - Ball Valve & Tip (Special Order) 476, 477, 488, 489	
14A	Z7432AD	Nozzle Assembly - Ball Valve & Tip (Special Order) 478, 490	
14A	Z5295AD	Nozzle Assembly - Ball Valve & Tip (Special Order) 600, 610	
15	3877A	Nozzle & Hose Gasket	
FIG.	P/N	ACCESSORY PART DESCRIPTION	EACH
N/S	AV1	Air Valve	SEE PAGE 175
N/S	5720A	Recharge/Hose Hydrotest Adapter	SEE PAGE 179
N/S	HTA24	Hydrotest Adapter Cylinder	SEE PAGE 179

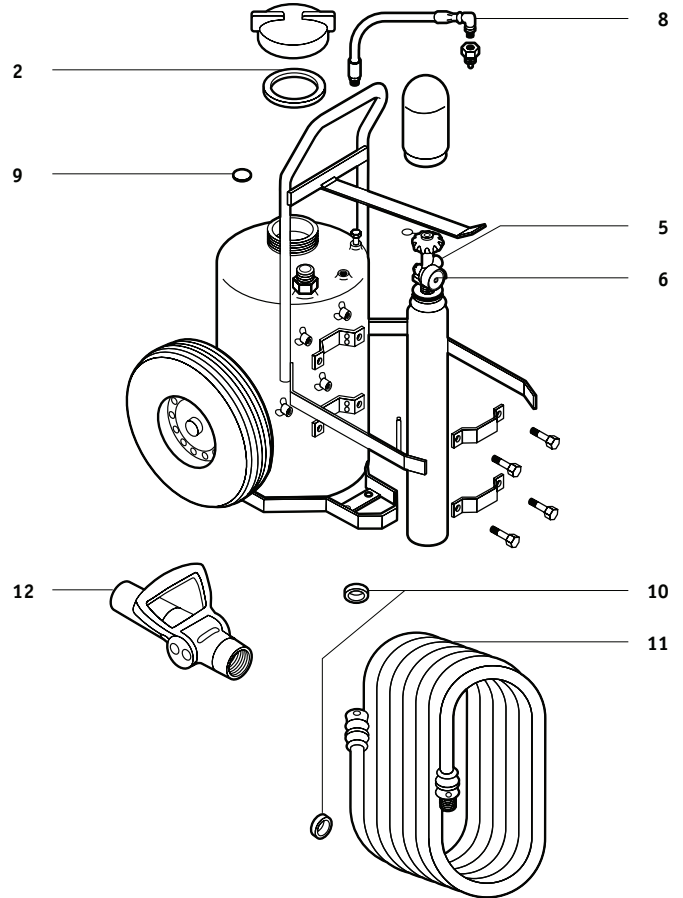


## CYLINDER OPERATED DRY CHEMICAL

450, 451, 452, 467, 468, 469, 470, 471, 472

FIG.	P/N	SERVICE & MAINTENANCE PART DESCRIPTION	EACH
2	2272A	Gasket, Cap	SEE PAGE 214
5	12467A	Nitrogen Valve w/ Gauge T-Handle, Quick-Release Valve	SEE PAGE 214
N/S	9897AD	Valve Stem Assembly T-Handle, Quick-Release Valve	
6	G3000	Gauge - 3,000	
8	2234A	Nitrogen Hose Assembly 467, 468, 469, 470, 471, 472	
8	3818AD	Nitrogen Hose Assembly 450, 451, 452	
9	7411A	Moisture Seal	
10	3877A	Gasket, Hose, & Nozzle	
11	Z3501AD	Hose Assembly, 50' (Special Order)	
12	6717AD	Nozzle Assembly 450, 451, 452	

FIG.	P/N	ACCESSORY PART DESCRIPTION	EACH
N/S	4892A	Hydrostatic Test Adapter, Cylinder	SEE PAGE 179
N/S	5720A	Hydrostatic Test Adapter, Hose	SEE PAGE 179



## DRY CHEMICAL

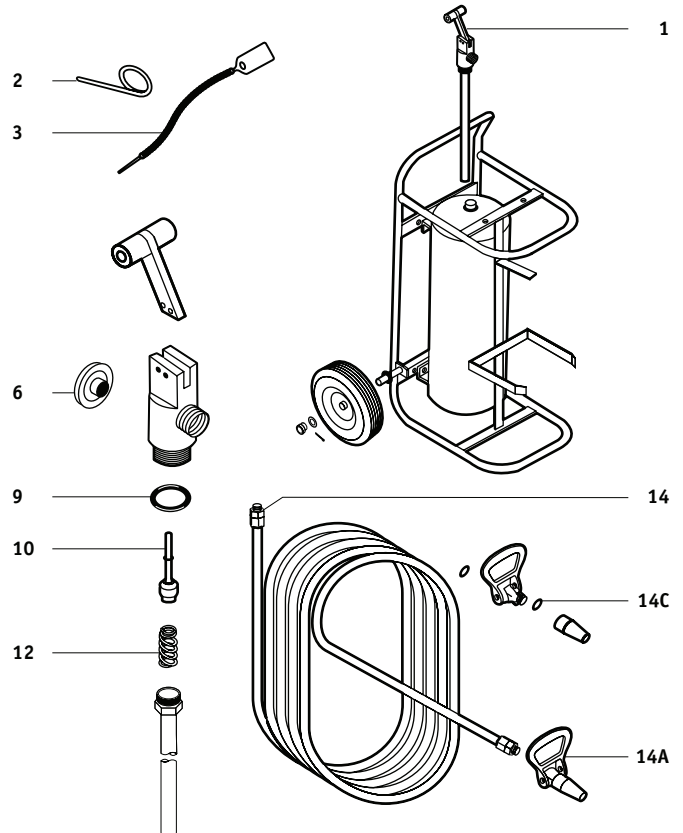
473, 474, 475, 495, 496, 497

## HALON 1211

611, 695

FIG.	P/N	SERVICE & MAINTENANCE PART DESCRIPTION	EACH
1	Z6018AD	Valve Assembly w/ Siphon Tube (Special Order) Dry Chemical	SEE PAGE 212
2		Large Loop Pull Pin	SEE PAGE 210
3		Tamper Seal	SEE PAGE 204
6	G240	Gauge - 240 Dry Chemical	
9	5240A	Collar O-Ring	
10	6022A	Valve Stem Assembly	
12	383A	Spring	
14	6015A	Hose, 1/2" x 25' (Special Order)	
14A	Z6395AD	Nozzle Assembly—Ball Valve & Tip (Special Order) 496 Dry Chemical, 695 Halon	
14A	Z6396AD	Nozzle Assembly—Ball Valve & Tip (Special Order) 497	
14C	3877A	Nozzle Gasket	

FIG.	P/N	ACCESSORY PART DESCRIPTION	EACH
N/S	AV1	Air Valve	SEE PAGE 175
N/S	6160A	Recharge Adapter	SEE PAGE 179
N/S	HTA9	Hydrotest Adapter	SEE PAGE 179



# 11 AMEREX - FIRE EXTINGUISHER PARTS

## CARBON DIOXIDE

322, 330, 331, 332

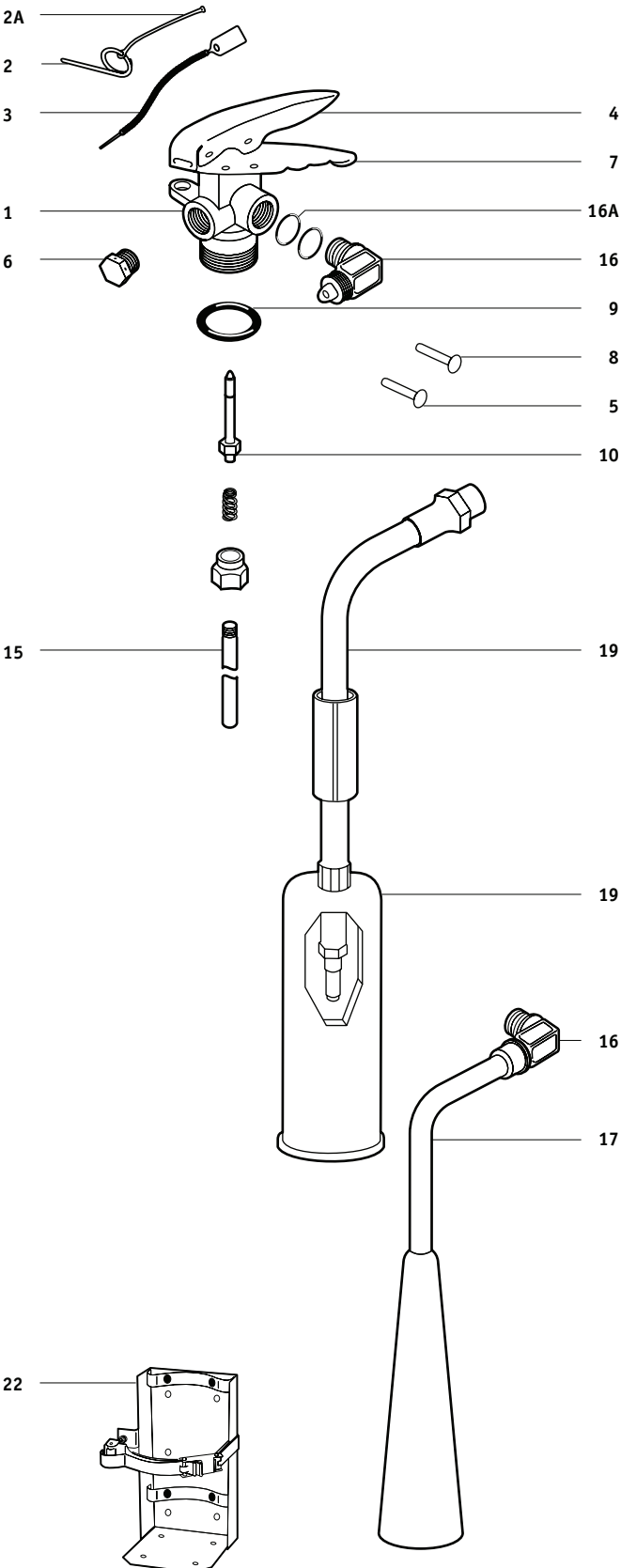


FIG.	P/N	SERVICE & MAINTENANCE PART DESCRIPTION	EACH
1	3090A	Valve Assembly w/o Elbow or Siphon Tube	SEE PAGE 214
2	1563A	Pull Pin, Stainless Steel	SEE PAGE 212
2A	532A	Chain (Nylon) for Pull Pin	SEE PAGE 212
3		Tamper Seal	SEE PAGE 210
4	7762A	Lever & Rivet	
5	1563A	Rivet Only for Lever	
6	4000A	Safety Disc, Gasket, & Nut Assembly	SEE PAGE 214
7	9020A	Handle & Rivets	
8	1564A	Handle Rivet (Only)	
9	1124A	Collar O-Ring	
10	1539A	Valve Stem Assembly	SEE PAGE 207
15	564A	Siphon Tube	
16	589A	Siphon Tube	
15	533A	Siphon Tube	
8	16	Elbow w/ O-Ring & Spacer	
5	16	Elbow w/ O-Ring	
10	16A	O-Ring for Elbow	
17	1769A	Discharge Tube	
19	1782A	Hose & Horn Assembly	
19	1705A	Hose & Horn Assembly	

FIG.	P/N	ACCESSORY PART DESCRIPTION	EACH
N/S	RDS20	Strap	SEE PAGE 218
N/S	RDS15	Strap	SEE PAGE 218
N/S	RDBACLIP	Horn Clip	SEE PAGE 218
N/S	SET6	Hardware Set	SEE PAGE 218
N/S	BL209	Replacement Nameplate 5 lb (Non-UL)	SEE PAGE 159
N/S	BL210	Replacement Nameplate 10-20 lb (Non-UL)	SEE PAGE 159
N/S	WH5	Wall Hanger	SEE PAGE 220
N/S	WH15	Wall Hanger	SEE PAGE 220
N/S	WH20	Wall Hanger	SEE PAGE 220
22	5HB	Heavy-Duty Vehicle Bracket	SEE PAGE 223
22	15HB	Heavy-Duty Vehicle Bracket	SEE PAGE 223
22	20HB	Heavy-Duty Vehicle Bracket	SEE PAGE 223



**WATER/FOAM/LOADED STREAM**

240, 250, 250CG, 252, 254

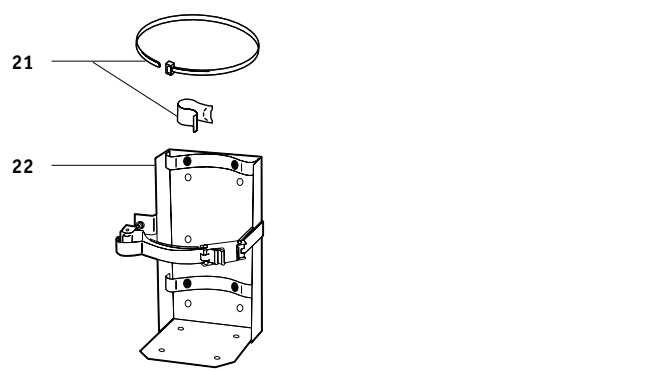
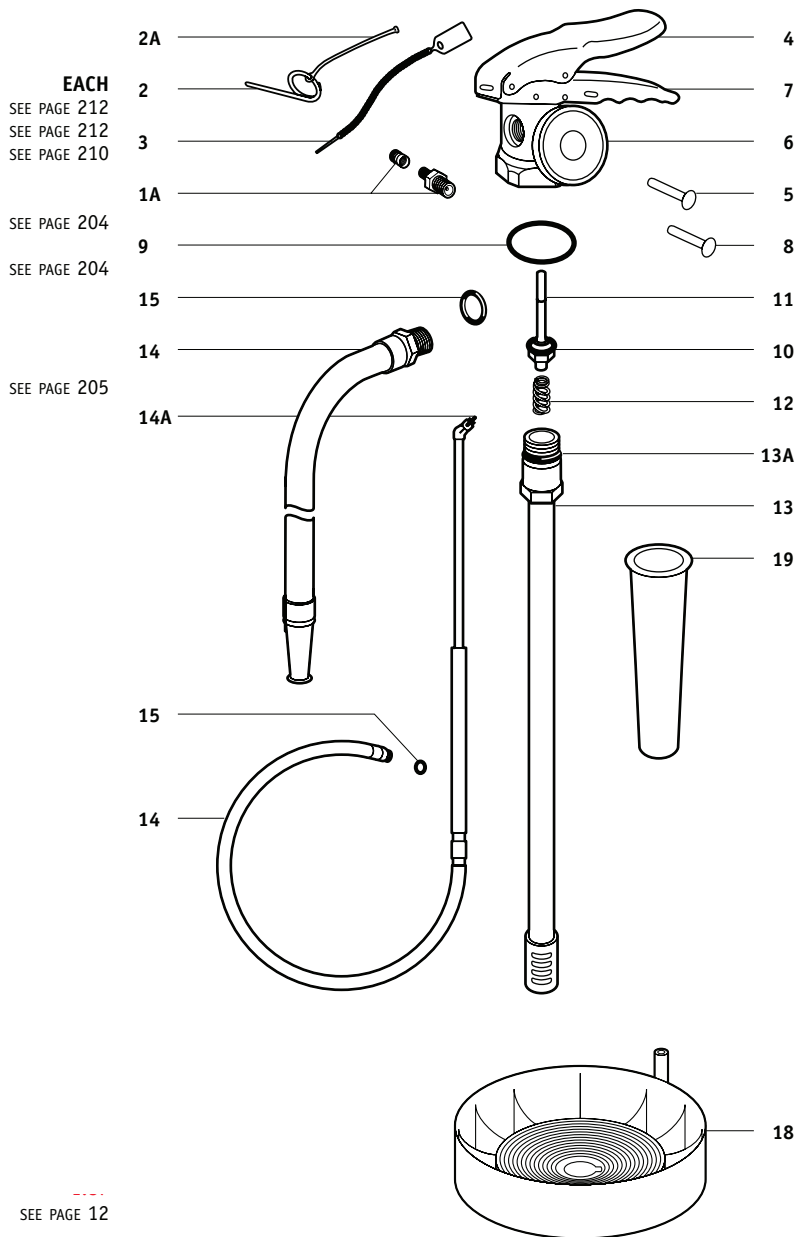
**WET CHEMICAL**

260, 262, B260, B262

**WATER MIST**

270, 272, B270, B272, B270NM, B272NM

FIG.	P/N	SERVICE & MAINTENANCE PART DESCRIPTION	EACH
2		Pull Pin, Stainless Steel	SEE PAGE 212
2A	532A	Chain (Nylon) for Pull Pin	SEE PAGE 212
3		Tamper Seal	SEE PAGE 210
4	7762A	Lever & Rivet	
5	1563A	Lever Rivet (Only)	
6	G100WS	Gauge - 100	
		All, Except Wet Chemical Models	SEE PAGE 204
6	G100K	Gauge - 100	
		All Wet Chemical Models	SEE PAGE 204
7	9020A	Handle & Rivets	
8	1564A	Handle Rivet (Only)	
9	5240A	Collar O-Ring	
10	6093A	Valve Stem Assembly	SEE PAGE 205
		All, Except Wet Chemical, Water Mist	
10	14878A	Valve Stem Assembly	
		All Wet Chemical, Water Mist	
11	5243A	Valve Stem O-Ring	
12	383A	Spring	
13	15943A	Siphon Tube Assembly	
		240, 250, 252, 272, B272, B272NM	
13	16266A	Siphon Tube Assembly	
		B260	
13	16267A	Siphon Tube Assembly	
		B262	
13A	5690A	O-Ring - Siphon Tube	
14	14588A	Hose & Wand Assembly (Replaces 13576)	
		260, 262	
14	16043A	Hose & Nozzle Assembly	
		B260	
14	16101A	Hose & Nozzle Assembly	
		B262	
14	6982A	Hose & Aspirated Nozzle Assembly	
		252	
14	6999A	Hose & Nozzle Assembly	
		240	
14	7000A	Hose & Aspirated Nozzle Assembly	
		250	
14	14184A	Hose & Nozzle Assembly	
		272, B272, B272NM	
14A	13757A	Nozzle	
		272, B272, B272NM	
15	6978A	Hose Gasket (O-Ring)	
18	3109A	Foot Stand (Black)	
		260, 262, B260, B262	
18	3576A	Foot Stand w/ Clip (Black)	
		240	
18	3776A	Foot Stand w/ Post (Black)	
		250, 252	
19	2595A	Fill Tube	
N/S	504A	Model 504, 1.14lit, FFFP Premix Charge	SEE PAGE 12
		252	
N/S	502A	Model 502, 8 oz, AFFF Premix Charge	SEE PAGE 12
		250, 254	
N/S	AX506	Anti-Freeze Charge	SEE PAGE 12
N/S	AX5302	Wet Chemical Recharge, 6lit	SEE PAGE 12
N/S	AX660	Wet Chemical Charge, 2.5 gal	SEE PAGE 24
N/S	AX6702	Deionized Water Charge, 6lit	SEE PAGE 13
N/S	AX6712	Deionized Water Charge, 2.5 gal	SEE PAGE 13
<b>FIG.</b>	<b>P/N</b>	<b>ACCESSORY PART DESCRIPTION</b>	<b>EACH</b>
1A	AV1	Pressure Valve & Cap Assembly	SEE PAGE 175
N/S	CORE	Pressure Valve Core, Pkg/50	SEE PAGE 175
N/S	AVC	Pressure Cap, Pkg/50	SEE PAGE 175
21	14838A	Hose Strap & Clip	
		270, 272, B270, B272, B270NM, B272NM	
21	LCC38	Universal Hose Strap/Clip	SEE PAGE 218
		260, 262, B260, B262	
22	15HB	Heavy-Duty Vehicle Bracket	SEE PAGE 223
N/S	AD24	Recharge Adapter	SEE PAGE 175
		250, 252, 254, 260, 262 (w/o Air Valves)	
N/S	AD36	Recharge Adapter	SEE PAGE 175
		270, 272, B260, B262, B270, B272, B270NM, B272NM	
N/S	HTA10	Hydrostatic Test Adapter	SEE PAGE 179



2014 © BROOKS EQUIPMENT COMPANY, LLC

# 11 ANSUL - FIRE EXTINGUISHER PARTS

## DRY CHEMICAL

SY-0513, SY-0514, SY-0613, SY-0614, SY-0623, SY-0624, SY-0633, SY-0634, SY-1013, SY-1014, SY-1015, SY-1023, SY-1024, SY-1033, SY-1034, SY-2013, SY-2014, SY-2023, SY-2024, SY-2033, SY-2034

## HALON 1211

SY-0541, SY-0942, SY-1441, SY-1741

## CLEANGUARD (FE36)

CA-0581, CA-0681, CA-0981, CA-1081, CA-1381, CA-1481

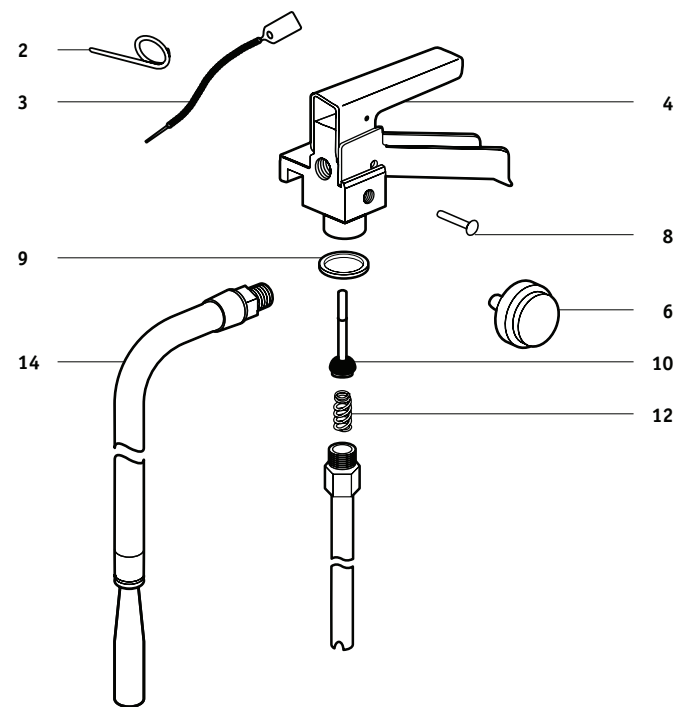


FIG.	P/N	SERVICE & MAINTENANCE PART DESCRIPTION	EACH
2		Pull Pin	SEE PAGE 212
3		Tamper Seal	SEE PAGE 210
4	31793AS	Lever	
6	G100H	Gauge - 100 (Halon)	SEE PAGE 204
		SY-0541	
6	G125H	Gauge - 125 (Halon)	SEE PAGE 204
		SY-0941	
6	G195	Gauge - 195	SEE PAGE 204
		All Dry Chemical	
6	G195H	Gauge - 195 (Halon)	SEE PAGE 204
		SY-1441, 1741	
6	428940AS	Gauge (FE36) (Replaces 419493)	
		All Cleanguard	
9	16222AS	Collar Quad Ring	
		All Dry Chemical	
9	21882AS	Collar Quad Ring	
		All Halon, Cleanguard	
10	ASVS4	Valve Stem Assembly	SEE PAGE 205
12	29256AS	Spring	
14	30617AS	Hose & Nozzle Assembly	
		SY-2013, 2014, 2033, 2034	
14	30618AS	Hose & Nozzle Assembly	
		SY-2023, 2024	

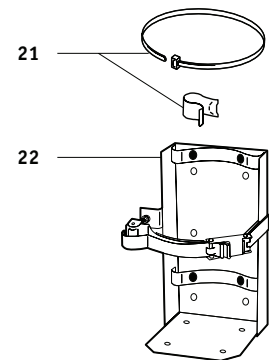


FIG.	P/N	ACCESSORY PART DESCRIPTION	EACH
21		Universal Hose Strap/Clip	SEE PAGE 218
22	10HB	Heavy-Duty Vehicle Bracket	SEE PAGE 223
		9-14 lb	
22	15HB	Heavy-Duty Vehicle Bracket	SEE PAGE 223
		17, 20 lb	
N/S	ASWH2	Wall Hanger	SEE PAGE 220
		Up to 9 lb, SY-1015	
N/S	ASWH3	Wall Hanger	SEE PAGE 220
		10, 14 lb (Except SY-1015)	
N/S	ASWH4	Wall Hanger	SEE PAGE 220
		17, 20 lb	
N/S	AD30	Recharge Adapter	SEE PAGE 175
N/S	HTA9	Hydrostatic Test Adapter	SEE PAGE 179
N/S	7602AC	Hydrostatic Test Instructions	





**DRY CHEMICAL**

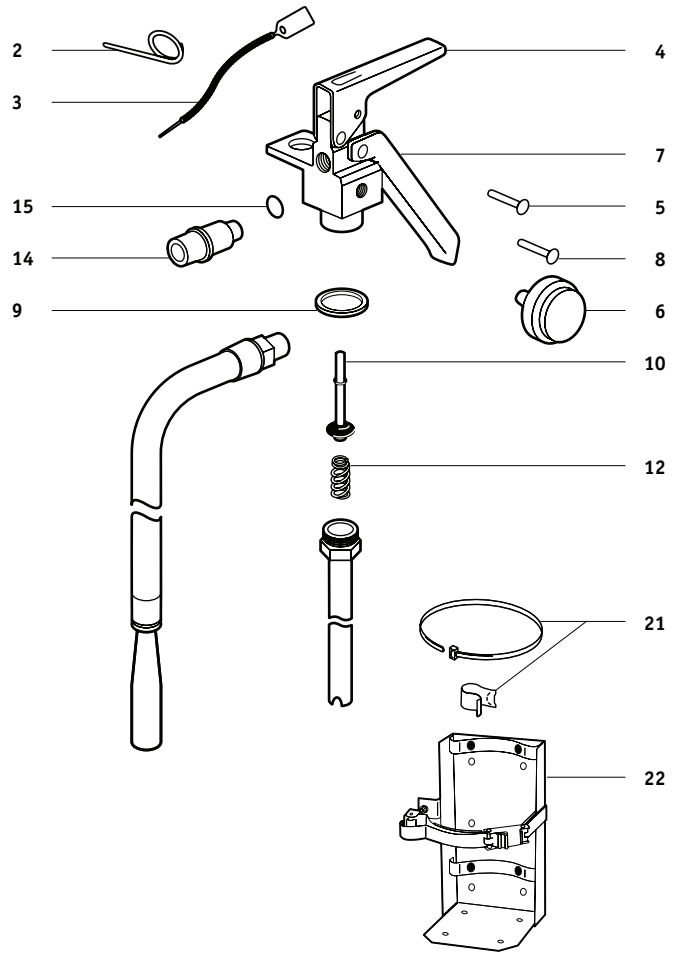
SY-0212, SY-0214, SY-0215, SY-0216, SY-0236, SY-0515, SY-0516, SY-0517, SY-0521, SY-0531, SY-0635

**HALON**

SY-0241, SY-0242, SY-0243

FIG.	P/N	SERVICE & MAINTENANCE PART DESCRIPTION	EACH
2		Pull Pin	SEE PAGE 212
3		Tamper Seal	SEE PAGE 210
4	ASL1	Lever (Replaces 68169)	
5	25719AS	Lever Rivet	
6	G100H	Gauge - 100 (Halon)	SEE PAGE 204
6	G195	Gauge - 195	SEE PAGE 204
7	ASH1	Handle (Replaces 79119)	
8	25720AS	Handle Rivet	
9	79122AS	Collar O-Ring (Replaces Quad-Ring 25765)	
10	ASVS5	Valve Stem Assembly (Replaces 21858)	SEE PAGE 205
10	429099AS	Valve Stem Assembly	SEE PAGE 205
12	415565AS	Spring	
14	ASN1	Nozzle (Replaces 27099)	
14	54444AS	Nozzle	
15	16047AS	O-Ring, Nozzle	

FIG.	P/N	ACCESSORY PART DESCRIPTION	EACH
21		Universal Hose Strap/Clip	SEE PAGE 218
N/S	24610AS	Bracket Assembly	SEE PAGE 221
N/S	415824AS	Bracket Assembly	SEE PAGE 221
22	5DC	Heavy-Duty Vehicle Bracket	SEE PAGE 223
N/S	AD22	Recharge Adapter	SEE PAGE 175
N/S	AD35	Recharge Adapter	SEE PAGE 175
N/S	HTA11	Hydrostatic Test Adapter	SEE PAGE 179
N/S	7602AC	Hydrostatic Test Instructions	



# 11 ANSUL - FIRE EXTINGUISHER PARTS

## DRY CHEMICAL

A10I, PK10I, C10I, A20I, PK20I, C20I, AA10SI, AA20SI, PK10SI

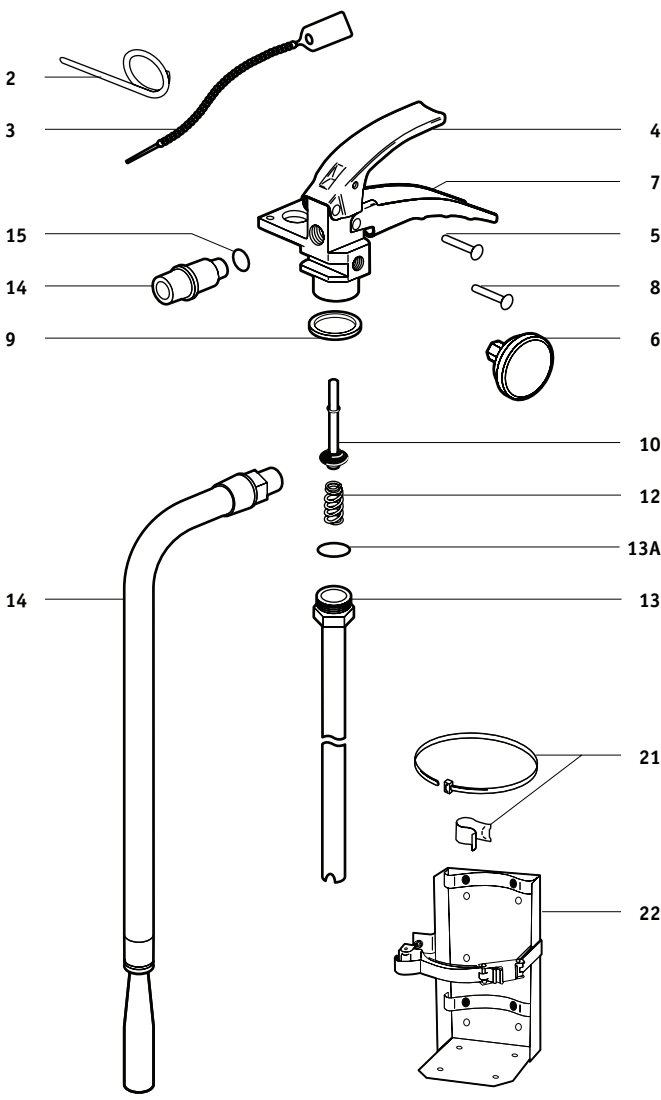


FIG.	P/N	SERVICE & MAINTENANCE PART DESCRIPTION	EACH
2		Pull Pin	SEE PAGE 212
3		Tamper Seal	SEE PAGE 210

4	428428AS	Lever	
5	428130AS	Lever Rivet	
6	G195	Gauge - 195	SEE PAGE 204
7	428429AS	Handle	

8	428130AS	Handle Rivet	
9	428327AS	Collar O-Ring	
10	428431AS	Valve Stem Assembly	SEE PAGE 205

12	415565AS	Spring	
13	428797AS	Siphon Tube	All 10 lb

6	13	428799AS	Siphon Tube
			All 20 lb
13A	76076AS	Siphon Tube O-Ring	

14	428733AS	Hose & Nozzle Assembly	A10I, C10I
10	14	428735AS	Hose & Nozzle Assembly
			PK10I

12	14	428737AS	Hose & Nozzle Assembly
			A20I
13A	14	428739AS	Hose & Nozzle Assembly
			PK20I

FIG.	P/N	ACCESSORY PART DESCRIPTION	EACH
21		Universal Hose Strap/Clip	SEE PAGE 218
22	10HB	Heavy-Duty Vehicle Bracket	SEE PAGE 223

22	15HB	Heavy-Duty Vehicle Bracket	SEE PAGE 223
			All 10 lb
			All 20 lb

N/S	WH15	Wall Hanger	SEE PAGE 220
			All 10 lb
N/S	WH20	Wall Hanger	SEE PAGE 220
			All 20 lb

N/S	AD23	Recharge Adapter	
N/S	HTA43	Hydrostatic Test Adapter	SEE PAGE 179
N/S	7602AC	Hydrostatic Test Instructions	



## DRY CHEMICAL

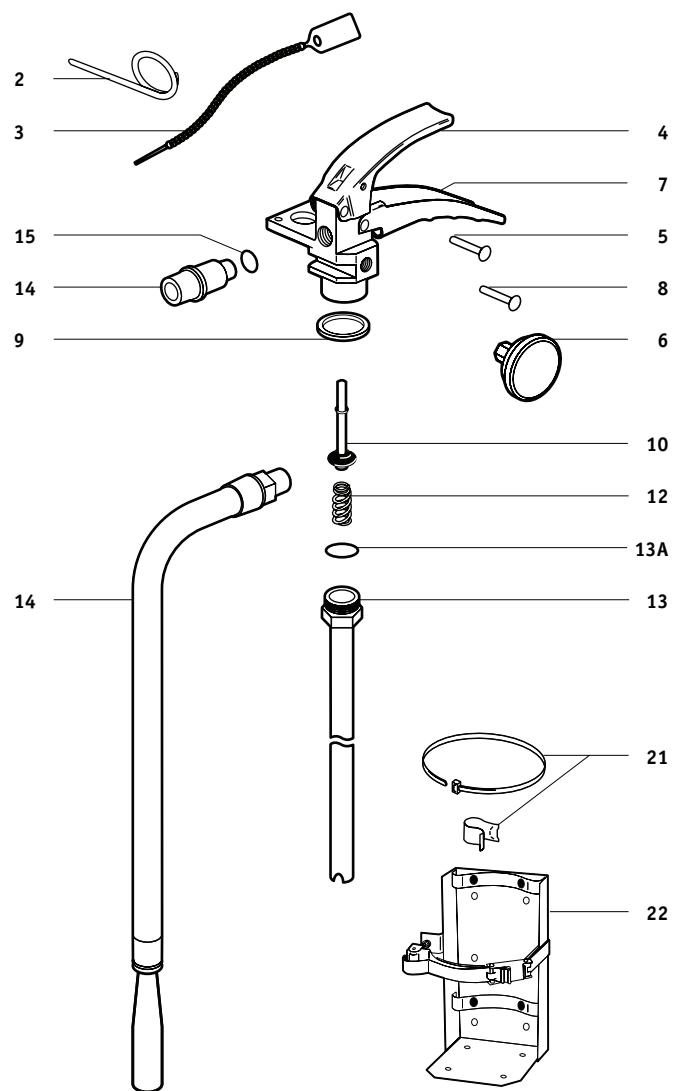
A02, A02VB, A02S, A02SVB, C02VB, A05, AA05, AA05-1, A05VB, AA05VB, PK05, C05, A10H, A10T, AA10S, PK10, PK10S, C10, C10S, AA20, AA20-1, PK20, C20

## CLEANGUARD (FE36)

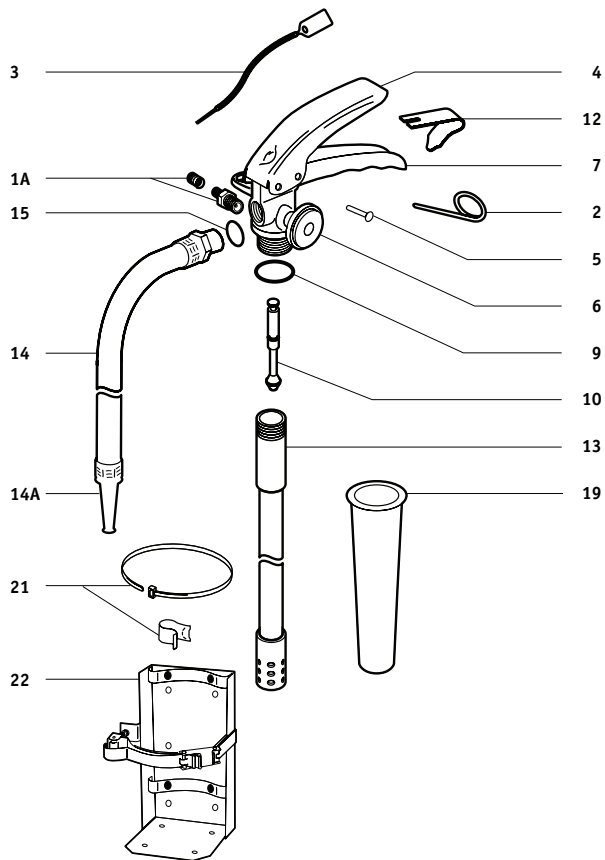
FE02VB, FE05, FE09, FE13

FIG.	P/N	SERVICE & MAINTENANCE PART DESCRIPTION	EACH
1	429084ASD	Valve Assembly All 5 lb, Except Cleanguard	
1	429085ASD	Valve Assembly A10H, C10, PK10	
1	429087ASD	Valve Assembly All 20 lb	
2		Pull Pin	SEE PAGE 212
3		Tamper Seal	SEE PAGE 210
4	429096AS	Lever All Except A02S, A02SVB	
5	428130AS	Lever Rivet	
6	G125	Gauge - 125 A02S, A02SVB	
6	G195	Gauge - 195 All Dry Chemical Except A02S, A02SVB	SEE PAGE 204
6	426264AS	Gauge (FE36) FE02VB, FE05	
6	428940AS	Gauge (FE36) FE09, FE13	
7	429097AS	Handle All Except A02S, A02SVB	
8	428130AS	Handle Rivet	
9	428327AS	Collar O-Ring	
10	429099AS	Valve Stem Assembly	SEE PAGE 205
12	415565AS	Spring	
13	428795AS	Siphon Tube All 2 1/2 lb Dry Chemical, FE02VB	
13	428796AS	Siphon Tube All 5 lb Except Cleanguard	
13	428797AS	Siphon Tube A10H, C10, PK10, FE09, AA10S, C10S, PK10S	
13	428798AS	Siphon Tube A10T, FE05	
13	428799AS	Siphon Tube All 20 lb, FE13	
13A	76076AS	Siphon Tube O-Ring	
14	428269AS	Nozzle A02, A02VB	
→ 14	436805AS	Nozzle A02S, A02SVB	
14	428729AS	Hose & Nozzle Assembly AA05, AA05VB	
14	428728AS	Hose & Nozzle Assembly A05, A05VB	
14	428732AS	Hose & Nozzle Assembly A10T, A10H, C10, C10S	
14	428734AS	Hose & Nozzle Assembly PK10, PK10S	
14	428736AS	Hose & Nozzle Assembly AA20, AA20-1	
14	428738AS	Hose & Nozzle Assembly PK20	
14	428740AS	Hose & Nozzle Assembly C20	
15	434908AS	Hose & Nozzle Assembly AA05-1, AA05VB-1	
15	436592AS	Hose & Nozzle Assembly AA10S	
15	57744AS	Nozzle O-Ring FE02VB	

FIG.	P/N	ACCESSORY PART DESCRIPTION	EACH
21		Universal Hose Strap/Clip	SEE PAGE 218
22	5DC	Heavy-Duty Vehicle Bracket 5 lb	SEE PAGE 223
22	10HB	Heavy-Duty Vehicle Bracket 9-14 lb	SEE PAGE 223
22	15HB	Heavy-Duty Vehicle Bracket 17, 20 lb	SEE PAGE 223
N/S	WH5	Wall Hanger Up to 9 lb	SEE PAGE 220
N/S	WH15	Wall Hanger 10, 14 lb	SEE PAGE 220
N/S	WH20	Wall Hanger 17, 20 lb	SEE PAGE 220
N/S	AD23	Recharge Adapter	
→ N/S	AD38	Recharge Adapter A02S, A02SVB	
N/S	HTA43	Hydrostatic Test Adapter	SEE PAGE 179
N/S	7602AC	Hydrostatic Test Instructions	



# 11 ANSUL - FIRE EXTINGUISHER PARTS



## WATER & WET CHEMICAL

W02, K01

FIG.	P/N	SERVICE & MAINTENANCE PART DESCRIPTION	EACH
2		Pull Pin, Stainless Steel	SEE PAGE 212
3		Tamper Seal	SEE PAGE 210
4	429163AS	Lever	
5	429165AS	Lever Rivet	
6	G100WS	Gauge - 100	SEE PAGE 204
7	429160AS	Handle	
9	429537AS	Collar O-Ring	
10	552144FG	Valve Stem Assembly	SEE PAGE 205
12	429162AS	Spring	
13	430851AS	Siphon Tube	
14	430055AS	Hose & Nozzle Assembly	
14A	426074AS	Nozzle Tip	
15	429544AS	Hose O-Ring	
19	429541AS	Fill Tube	
N/S	A430182	PRX Liquid Agent, 6lit	SEE PAGE 24
N/S	A423320	PRX Liquid Agent, 5 gal	SEE PAGE 24

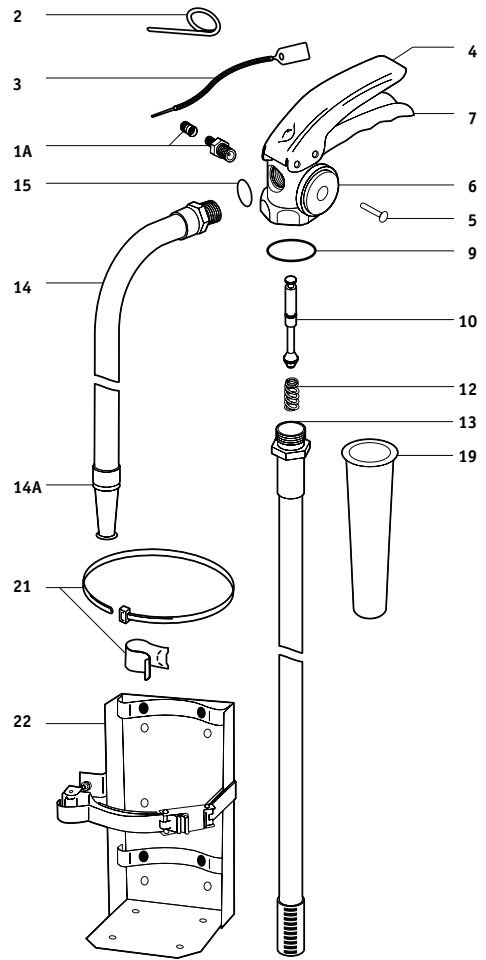
FIG.	P/N	ACCESSORY PART DESCRIPTION	EACH
1A	AV1	Pressure Valve & Cap Assembly	SEE PAGE 175
N/S	CORE	Pressure Valve Core, Pkg/50	SEE PAGE 175
N/S	AVC	Pressure Cap, Pkg/50	SEE PAGE 175
21		Universal Hose Strap/Clip	SEE PAGE 218
22	15HB	Heavy-Duty Vehicle Bracket	SEE PAGE 223
N/S	WH20	Wall Hanger	SEE PAGE 220
N/S	AD24	Recharge Adapter	SEE PAGE 175
N/S	HTA46	Hydrostatic Test Adapter	SEE PAGE 179
N/S	429656AS	Service Manual (Wet Chemical)	
N/S	7602AC	Hydrostatic Test Instructions	



## WATER & WET CHEMICAL

W02-1, K01-1, K01-2, K01-3

FIG.	P/N	SERVICE & MAINTENANCE PART DESCRIPTION	EACH
2		Pull Pin, Stainless Steel	SEE PAGE 212
3		Tamper Seal	SEE PAGE 210
4	430924AS	Lever	
5	430250AS	Lever Rivet	
6	G100WS	Gauge - 100	SEE PAGE 204
7	430273AS	Handle	
9	56909AS	Collar O-Ring	
10	429099AS	Valve Stem Assembly	SEE PAGE 205
12	430004AS	Spring	
→ 13	439713AS	Siphon Tube K01-1, K01-2, K01-3	
13	430793AS	Siphon Tube W02-1	
→ 14	439495AS	Hose & Nozzle Assembly K01-1, K01-2, K01-3	
14	429543AS	Hose & Nozzle Assembly W02-1	
14A	426074AS	Nozzle Tip K01-1, K01-2	
15	429544AS	Hose O-Ring	
19	429541AS	Fill Tube	
N/S	A430182	PRX Liquid Agent, 6lit K01-1	SEE PAGE 24
N/S	A423320	PRX Liquid Agent, 5 gal K01-1	SEE PAGE 24
N/S	A79372	Ansulox Chemical Agent, 3 gal K01-2	SEE PAGE 308
<b>FIG. P/N ACCESSORY PART DESCRIPTION EACH</b>			
1A	AV1	Pressure Valve & Cap Assembly W02-1	SEE PAGE 175
N/S	CORE	Pressure Valve Core, Pkg/50 W02-1	SEE PAGE 175
N/S	AVC	Pressure Cap, Pkg/50 W02-1	SEE PAGE 175
21		Universal Hose Strap/Clip	SEE PAGE 218
22	15HB	Heavy-Duty Vehicle Bracket	SEE PAGE 223
N/S	WH2	Wall Hanger	SEE PAGE 220
N/S	AD24	Recharge Adapter K01-1, K01-2	SEE PAGE 175
N/S	429656AS	Service Manual (Wet Chemical)	
N/S	7602AC	Hydrostatic Test Instructions	



# 11 ANSUL - FIRE EXTINGUISHER PARTS

## CARTRIDGE OPERATED

ALL 10 - 30 lb E & G Series

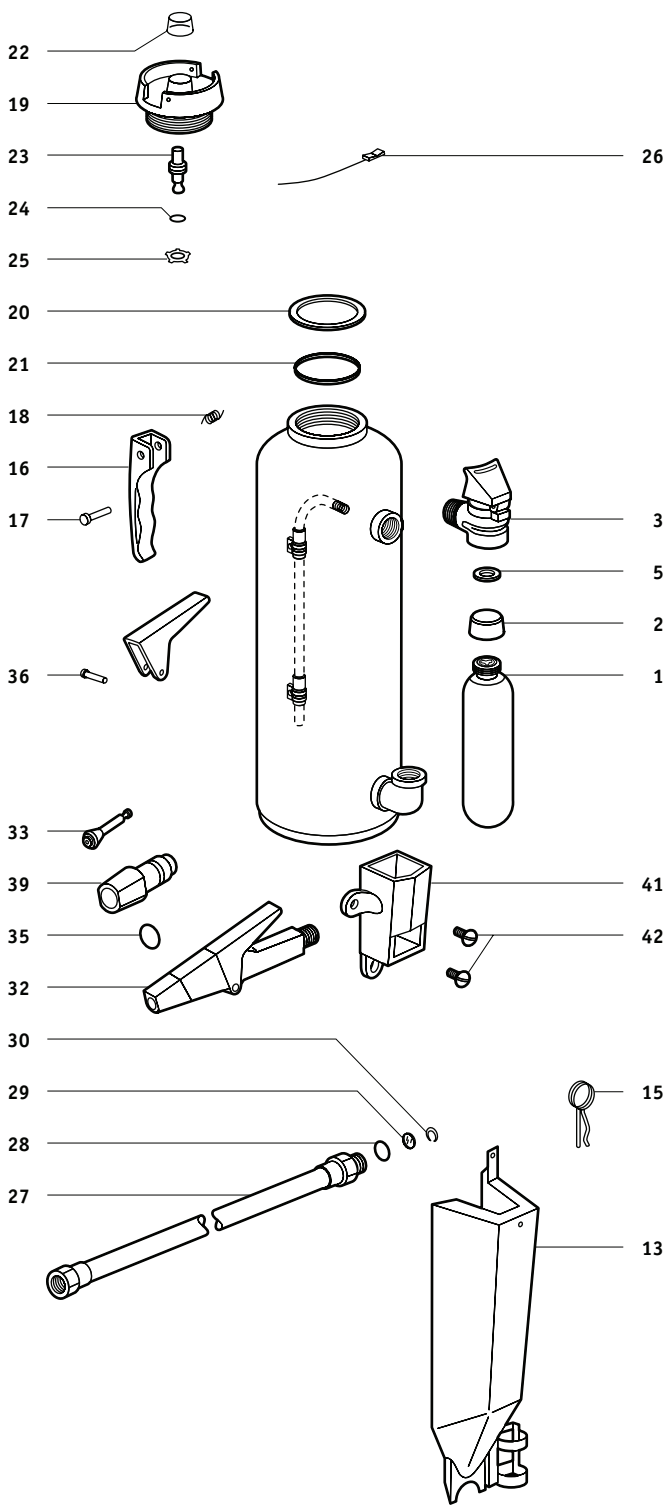


FIG.	P/N	SERVICE & MAINTENANCE PART DESCRIPTION	EACH
1	A5373	Cartridge, Nitrogen 30 lb LT, ML	SEE PAGE 308
1	A7032	Cartridge, Nitrogen 20 lb LT	SEE PAGE 308
1	4616AC	Cartridge, Carbon Dioxide All 10 lb, Except LT	
1	4614AC	Cartridge, Carbon Dioxide All 20 lb, Except LT	
1	4615AC	Cartridge, Carbon Dioxide All 30 lb, Except LT, ML	
2		Cartridge Shipping Cap	SEE PAGE 213
3	3626AC	Cartridge Receiver Assembly All, Except CR, LT, ML	
5	181AC	Gasket, Cartridge Receiver	
13	3652AC	Cartridge Guard Assembly, Metal All 10 lb E Series, Except CR, RP, LT	
13	6287AC	Cartridge Guard Assembly, Metal All 30 lb E Series, Except CR, RP, LT	
13	6302AC	Cartridge Guard Assembly, Metal All 20 lb E Series, Except CR, RP, LT	
13	416346AC	Cartridge Guard Assembly, Plastic All 20 lb G Series, Except RP, LT	
13	418025AC	Cartridge Guard Assembly, Plastic All 30 lb G Series, Except RP, LT	
15	7066AC	Ring Pin	
16	6169AC	Carrying Handle	
17	1265AC	Carrying Handle Rivet	
18	2902AC	Carrying Handle Spring	
19	17999AC	Fill Cap Assembly w/ Indicator	
20	6190AC	Gasket, Fill Cap	
21	6273AC	Quad Ring, Fill Cap	
22	17633AC	Cap, Plastic	
23	27648AC	Stem, Indicator	
24	17630AC	Quad Ring	
25	1239AC	Retaining Ring	
26	VIS10	Visual Inspection Seal, Pkg/10	
27	7083AC	30 lb Hose Assembly	
27	7091AC	20 lb Hose Assembly	
27	13005AC	10 lb Hose Assembly	
28	6263AC	Hose O-Ring (10 lb)	
28	6323AC	Hose O-Ring (20 lb)	
28	6324AC	Hose O-Ring (30 lb)	
29	415659AC	Hose Seal (10 lb G Series)	
29	415660AC	Hose Seal (20 lb E & G Series)	
29	415661AC	Hose Seal (30 lb G Series)	
30	415855AC	Retaining Ring (10 lb G Series), Pkg/10	
30	415856AC	Retaining Ring (20 lb E & G Series), Pkg/10	
30	415857AC	Retaining Ring (30 lb G Series), Pkg/10	
32	14045AC	Nozzle Assembly 30 lb Regular Dry Chemical	
32	14551AC	Nozzle Assembly 20 lb Regular Dry Chemical	
32	30778AC	Nozzle Assembly 30 lb ABC, PK	
32	30789AC	Nozzle Assembly 20 lb ABC, PK	
32	31407AC	Nozzle Assembly 10 lb ABC	
33	56117AC	Nozzle Plunger	
35	1230AC	O-Ring, Nozzle (w/o O-Ring Groove)	SEE PAGE 220
35	3469AC	O-Ring, Nozzle	SEE PAGE 175
36	3621AC	Rivet, Nozzle Handle	SEE PAGE 187
39	17908AC	Tip, Nozzle Assembly 20 lb Regular Dry Chemical	
39	17932AC	Tip, Nozzle Assembly 30 lb Regular Dry Chemical	
39	30790AC	Tip, Nozzle Assembly 20 lb ABC, PK	SEE PAGE 179
39	30791AC	Tip, Nozzle Assembly 30 lb ABC, PK	SEE PAGE 221
41	74206AC	Nozzle Holder Assembly (E Series)	
42	14908AC	Nozzle Platform Screw (E Series)	
N/S	ACWH1	Hanger Hook	SEE PAGE 220
N/S	DCA	Discharge Adapter	SEE PAGE 175
N/S	CCW1	Cap Wrench	SEE PAGE 187
N/S	13133ACD	Cartridge Receiver Wrench	
N/S	AGTSET	Hydrostatic Test Adapter Set	SEE PAGE 179
N/S		Vehicle Brackets	SEE PAGE 221
N/S	7674AC	Service Manual	
N/S	7602AC	Hydrostatic Test Instructions	

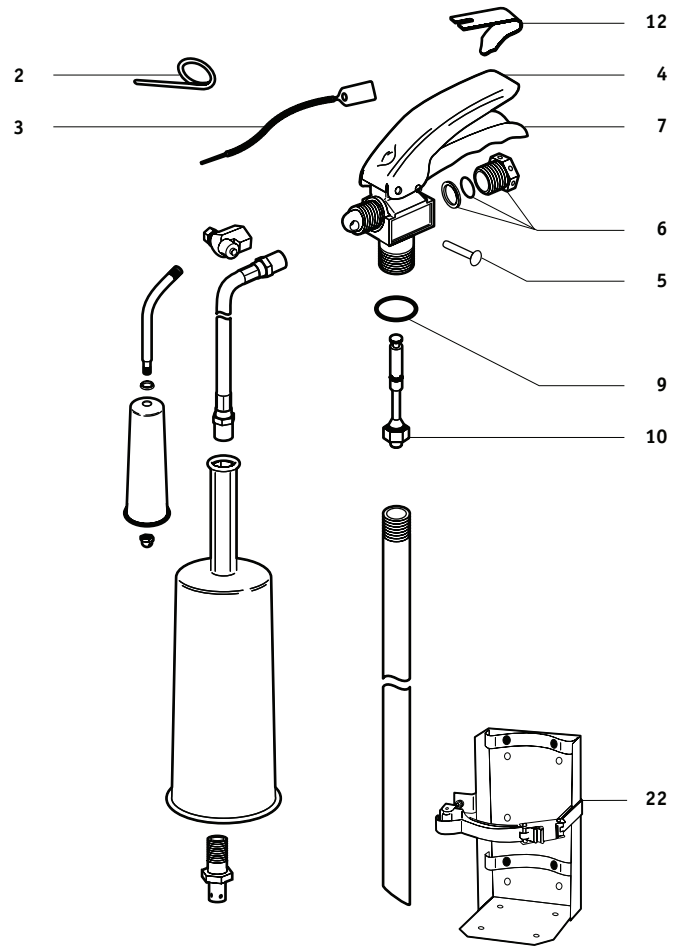


## CARBON DIOXIDE (w/ Flag Valve)

CD05, CD05A, CD10, CD10A, CD15, CD15A, CD20, CD20A, CD05-1, CD05A-1, CD10-1, CD10A-1, CD15-1, CD15A-1, CD20-1, CD20A-1

FIG.	P/N	SERVICE & MAINTENANCE PART DESCRIPTION	EACH
2		Pull Pin, Stainless Steel	SEE PAGE 212
3		Tamper Seal	SEE PAGE 210
4	429163AS	Lever (Black)	
4	432775AS	Lever (Chrome)	
5	429165AS	Lever Rivet	
6	429515AS	Safety Disc, Gasket, & Nut Assembly	SEE PAGE 216
7	429160AS	Handle (Black)	
7	432776AS	Handle (Chrome)	
9	429170AS	Collar O-Ring	
10	429154AS	Valve Stem Assembly	SEE PAGE 207
12	429162AS	Spring (Leaf Style)	
12	415565AS	Spring (Coil Style)	

FIG.	P/N	ACCESSORY PART DESCRIPTION	EACH
N/S	RDS15	Band 10, 15 lb Aluminum Cylinder	SEE PAGE 218
N/S	RDS20	Band 20 lb Aluminum Cylinder	SEE PAGE 218
N/S	RDBACLIP	Horn Clip All 10, 15, 20 lb	SEE PAGE 218
N/S	SET6	Hardware Set All 10, 15, 20 lb	SEE PAGE 218
N/S	BL209	Replacement Nameplate 5 lb (Non-UL) All 5 lb	SEE PAGE 159
N/S	BL210	Replacement Nameplate 10-20 lb (Non-UL) All 10, 15, 20 lb	SEE PAGE 159
N/S	WH5	Wall Hanger All 5 lb	SEE PAGE 220
N/S	WH15	Wall Hanger All 10, 15 lb	SEE PAGE 220
N/S	WH20	Wall Hanger All 20 lb	SEE PAGE 220
22	5HB	Heavy-Duty Vehicle Bracket All 5 lb	SEE PAGE 223
22	15HB	Heavy-Duty Vehicle Bracket All 10, 15 lb	SEE PAGE 223
22	20HB	Heavy-Duty Vehicle Bracket All 20 lb	SEE PAGE 223
N/S	429425AS	Service Manual	

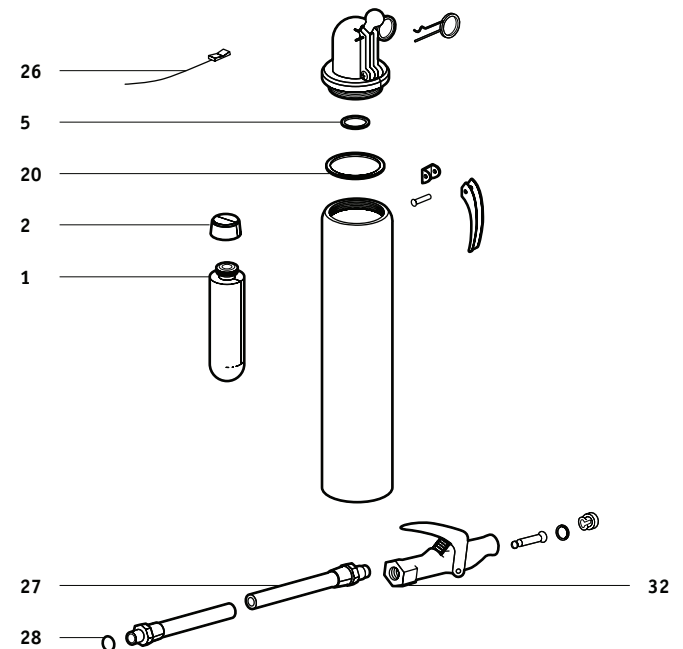


## CARTRIDGE OPERATED DRY CHEMICAL

5, A-5, K-5, LR-5, LT-5, LT-A-5, LT-K-5

FIG.	P/N	SERVICE & MAINTENANCE PART DESCRIPTION	EACH
1	4523AC	Cartridge All, Except LT	
5	181AC	Gasket, Cartridge Receiver	
20	615AC	Gasket, Fill Cap	
27	15799AC	Hose Assembly w/ Couplings After 1967	
28	6263AC	O-Ring	
32	6673AC	Nozzle Assembly 5, LT-5	

FIG.	P/N	ACCESSORY PART DESCRIPTION	EACH
N/S	79758AC	Bracket	SEE PAGE 221
2	LHSC	Cartridge Shipping Cap All, Except LT	SEE PAGE 213
26	VIS10	Visual Inspection Seal, Pkg/10	
N/S	AGTSET	Hydrostatic Test Adapter Set	SEE PAGE 179
N/S	HTA13	Hydrostatic Test Adapter (Cylinder Only)	SEE PAGE 179



# 11 ANSUL - FIRE EXTINGUISHER PARTS

**CARBON DIOXIDE** (w/ R.S. Valve)  
 SY-0571, SY-0572, SY-1071, SY-1072, SY-1571, SY-1572, SY-2071, SY-2072

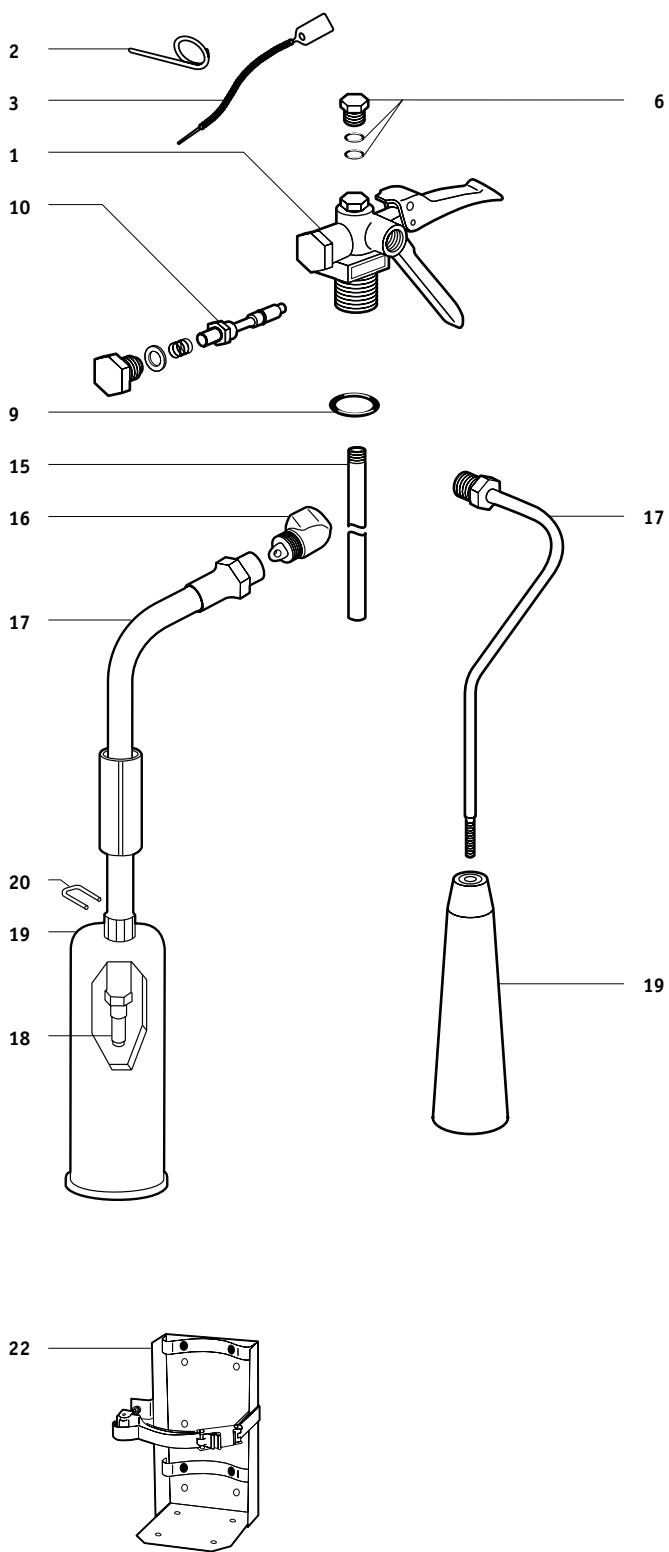


FIG.	P/N	SERVICE & MAINTENANCE PART DESCRIPTION	EACH
1	79470AS	Valve Assembly SY-0572 (Aluminum Cylinder)	
1	79438AS	Valve Assembly SY-1072, 1572, 2072 (Aluminum Cylinder)	
2		Pull Pin, Stainless Steel	SEE PAGE 212
3		Tamper Seal	SEE PAGE 210
6	RS5	Safety Disc, Gasket, & Nut Assembly	SEE PAGE 216
9	79805AS	Collar O-Ring	
10	418682AS	Valve Stem Assembly	SEE PAGE 207
15	79478AS	Siphon Tube All 15-20 lb	
16	79352AS	Elbow All 10, 15, 20 lb	
17	73861AS	Discharge Tube Assembly All 5 lb	
17	77628AS	Hose Assembly All 10, 15, 20 lb	
18	79474AS	Nozzle All 15, 20 lb	
19	79350AS	Horn All 5 lb	
19	77892AS	Horn w/ Handle All 10, 15 lb	
19	77893AS	Horn w/ Handle All 20 lb	
20	77894AS	U-Pin All 10, 15, 20 lb	

FIG.	P/N	ACCESSORY PART DESCRIPTION	EACH
N/S	RDS15	Strap 10-15 lb Aluminum Cylinder	SEE PAGE 218
N/S	RDS20	Strap 20 lb Aluminum Cylinder	SEE PAGE 218
N/S	RDBACLIP	Horn Clip All 10, 15, 20 lb	SEE PAGE 218
N/S	SET6	Hardware Set All 10, 15, 20 lb	SEE PAGE 218
N/S	BL209	Replacement Nameplate (Non-U.L.) All 5 lb	SEE PAGE 159
N/S	BL210	Replacement Nameplate (Non-U.L.) All 10, 15, 20 lb	SEE PAGE 159
N/S	WH5	Wall Hanger All 5 lb	SEE PAGE 220
N/S	WH15	Wall Hanger All 10-15 lb	SEE PAGE 220
N/S	WH20	Wall Hanger All 20 lb	SEE PAGE 220
22	5HB	Heavy-Duty Vehicle Bracket All 5 lb	SEE PAGE 223
22	15HB	Heavy-Duty Vehicle Bracket All 10-15 lb	SEE PAGE 223
22	20HB	Heavy-Duty Vehicle Bracket All 20 lb	SEE PAGE 223
N/S	83148AS	Service Manual	

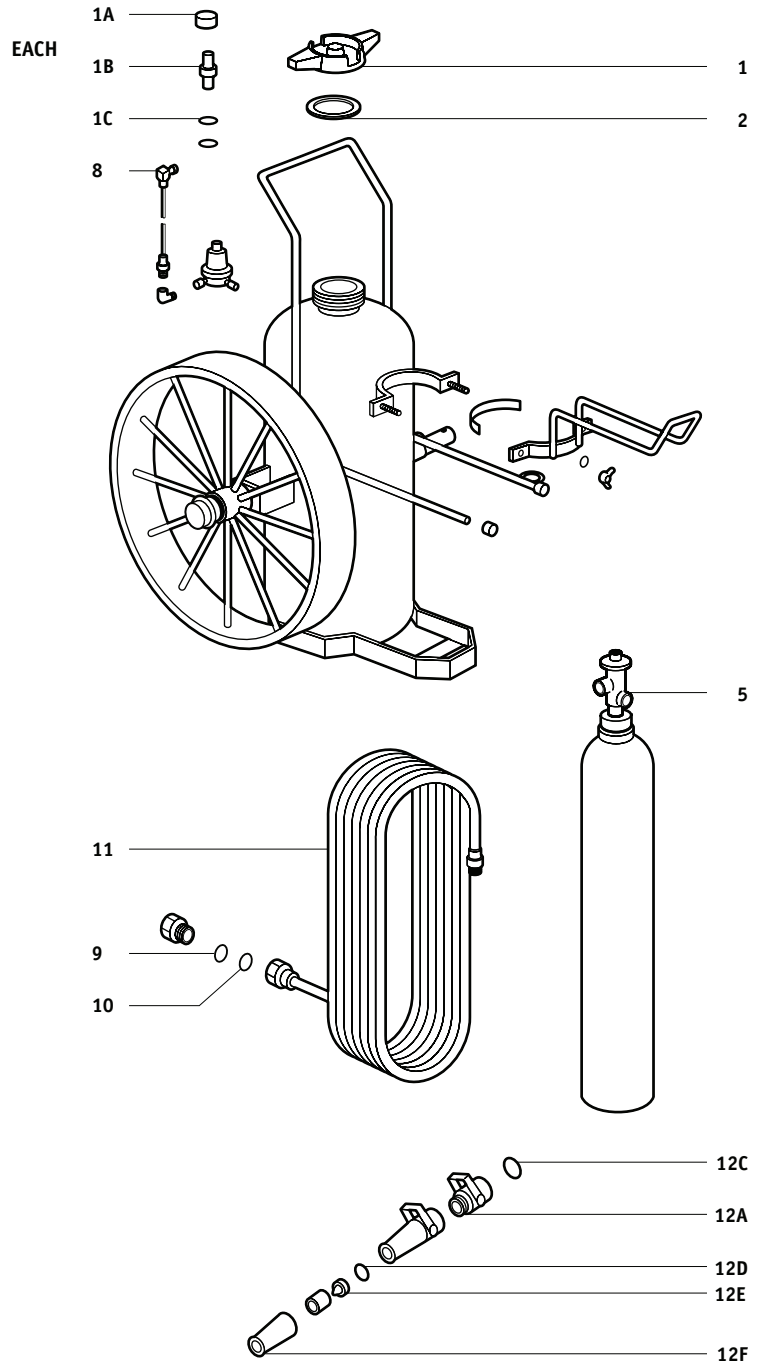




## CYLINDER OPERATED WHEELED EXTINGUISHERS

150, 350 lb ("C" Models)

FIG.	P/N	SERVICE & MAINTENANCE PART DESCRIPTION
1	27335AW	Fill Cap, Indicator All, Except Met-L-X, NAX
1A	17633AC	Indicator Cap
1B	27648AC	Indicator Stem
1C	17630AC	Quad Ring
2	3461AW	Gasket
5	Z78705AWD	Valve (Special Order)
8	423581AW	Nitrogen Hose Assembly (Valve to Regulator)
N/S	8750AW	Low Pressure Hose (Regulator to Tank) 150-350 lb (1969-1973)
9	14236AW	Hose Visual Inspection Disc, Strips of 6 ea 150 lb
9	14237AW	Hose Visual Inspection Disc, Strips of 5 ea 350 lb
10	670AW	Gasket 150 lb
10	8105AW	Gasket 350 lb
11	960AWD	Hose, 3/4" x 50', Special Order 150 lb, Except LT
12A	8101AWD	Ball Valve 150 lb, Except Met-L-X, NAX
12C	11112AW	Gasket, Valve To Hose 150 lb Gasket, Valve to Hose
12D	8105AW	Gasket, Nozzle All, Except LR
12F	29507AWD	Body, Nozzle All, Except LR
N/S	79012AW	Service Manual
N/S	53141AW	Regulator Test Manual
N/S	7602AC	Hydrostatic Test Instructions
12E	12703AW	Nozzle Tip 150 lb, Except Met-L-X, NAX
12E	12707AW	Nozzle Tip 350 lb, Except Met-L-X, NAX



# 11 BADGER - FIRE EXTINGUISHER PARTS

## DRY CHEMICAL

ADV-250, ADV-550, ADV-10, ADV-20

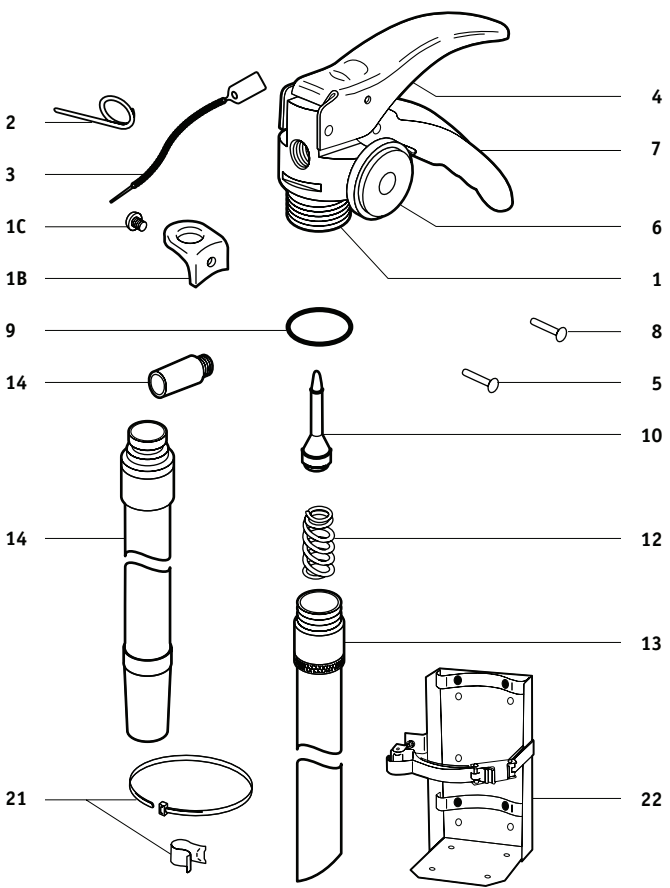


FIG.	P/N	SERVICE & MAINTENANCE PART DESCRIPTION	EACH
1	21008376B	Valve Assembly 2½ lb Model	
1	21008377B	Valve Assembly 5½, 10, 20 lb Model	
1B	8516B	Hanger Loop	
1C	19622B	Hanger Loop Screw	
2		Pull Pin	SEE PAGE 212
N/S	23535B	Chain (Nylon) for Pull Pin	
3		Tamper Seal	SEE PAGE 210
4	21007875B	Lever	
5	320751B	Lever Rivet	
6	G100	Gauge - 100 psi 2½ lb Model	SEE PAGE 204
6	G195	Gauge - 195 psi 5½, 10, 20 lb Model	SEE PAGE 204
7	21007873B	Handle 2½, 5½ lb Model	
7	21007874B	Handle 10, 20 lb Model	
8	320750B	Handle Rivet	
9	340036K	Neck Seal	
10	440068K	Valve Stem	SEE PAGE 206
12	322063B	Spring	
13	21007861B	Siphon Tube Assembly 2½ lb Model	
13	21007862B	Siphon Tube Assembly 5½ lb Model	
13	21007863B	Siphon Tube Assembly 10 lb Model	
13	21007864B	Siphon Tube Assembly 20 lb Model	
N/S	320167K	Siphon Tube O-Ring	
14	21005805B	Nozzle 2½ lb Model	
14	21006335B	Hose & Nozzle Assembly 5½ lb Model	
14	21007908B	Hose & Nozzle Assembly 10 lb Model	
14	21006338B	Hose & Nozzle Assembly 20 lb Model	

FIG.	P/N	ACCESSORY PART DESCRIPTION	EACH
21		Universal Hose Strap/Clip	SEE PAGE 218
22	466401K	Heavy-Duty Vehicle Bracket 2½ lb Model	SEE PAGE 222
22	5DC	Heavy-Duty Vehicle Bracket 5½ lb Model	SEE PAGE 223
22	5HB	Heavy-Duty Vehicle Bracket 10 lb Model	SEE PAGE 223
22	15HB	Heavy-Duty Vehicle Bracket 20 lb Model	SEE PAGE 223
N/S	1141K	Wall Hook 2½ lb model	
N/S	WH5	Wall Hook 5½ & 10 lb Model	SEE PAGE 220
N/S	14260K	Wall Hook 20 lb Model	
N/S	AD23	Recharge Adapter	
N/S	HTA18	Hydrostatic Test Adapter	SEE PAGE 179



### DRY CHEMICAL

275RB-1, 250MB-1, 5RB-4H, 5MB-4H, 5MB-5H, 5MB-6H, 5MB-7H, 5MB-8H, 6MB-4H, 10MB-3H, 10MB-4H, 10MB-8H

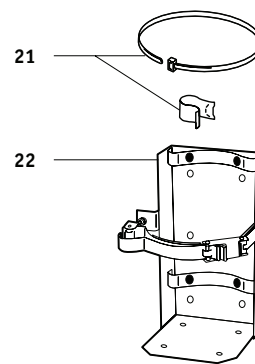
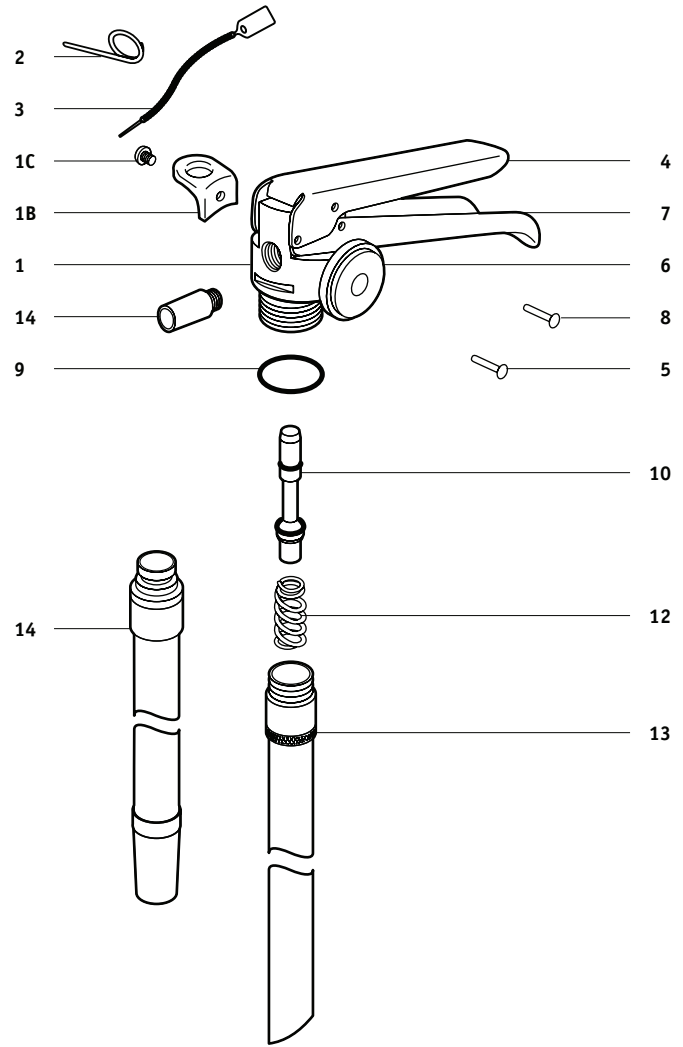
### HALON

2.5-1211B, 5-1211B, 9-1211B-S, 9-1211B-T

### HALOTRON I

2.5HB, 5HB

FIG.	P/N	SERVICE & MAINTENANCE PART DESCRIPTION	EACH
1	19824B	Valve Assembly 5MB-5H, 5MB-6H, 5MB-7H, 5MB-8H	
1	19520B	Valve Body	
1B	8516B	Hanger Loop All, Except 275RB-1, 250MB-1, 2.5-1211B	
1C	19622B	Hanger Loop Screw All, Except 275RB-1, 250MB-1, 2.5-1211B	
2		Pull Pin	SEE PAGE 212
3		Tamper Seal	SEE PAGE 210
4	18363B	Lever	
5	18404B	Lever Rivet	
6	G195	Gauge - 195 All Dry Chemical	SEE PAGE 204
6	G125H	Gauge - 125 (Halon) 2.5 1211B, 5-1211B	SEE PAGE 204
6	G195H	Gauge - 195 (Halon) 9-1211B-S, 9-1211B-T	SEE PAGE 204
6	G100T	Gauge - 100 (Halotron I) All Halotron I	
7	18361B	Handle	
8	16517B	Handle Rivet	
9	20745B	Collar O-Ring All Dry Chemical, Halon	
9	23074B	Collar O-Ring All Halotron I	
10	18672B	Valve Stem All Halon	SEE PAGE 206
10	19010B	Valve Stem All Dry Chemical	SEE PAGE 205
10	23068B	Valve Stem All Halotron I	
12	19393B	Spring 5MB-5H, 5MB-6H, 5MB-7H, 5MB-8H, 6MB-4H, 10MB-3H	
13	19825B	Siphon Tube 5MB-5H, 5MB-6H, 5MB-7H, 5MB-8H	
14	14816B	Nozzle 250MB-1	
14	22363B	Hose & Nozzle Assembly 10MB-4H, 10MB-8H	
14	19548B	Hose & Nozzle Assembly 5MB-4H, 5MB-5H	
14	21028B	Hose & Nozzle Assembly 5MB-6H, 5MB-8H	
<b>FIG.</b>	<b>P/N</b>	<b>ACCESSORY PART DESCRIPTION</b>	<b>EACH</b>
21		Universal Hose Strap/Clip All, Except 250MB-1, 275RB-1, 2.5-1211B	SEE PAGE 218
N/S	WH5	Wall Hanger All 5 - 10 lb, Except 10MB-3H, 9-1211B-S	SEE PAGE 220
N/S	WH15	Wall Hanger 10MB-3H, 9-1211B-S	SEE PAGE 220
N/S	MB250	Vehicle Bracket 250MB-1, 275RB-1, 2.5-1211B	SEE PAGE 222
N/S	MB5	Vehicle Bracket 5-6 lb	SEE PAGE 222
22	5DC	Heavy-Duty Vehicle Bracket 5-6 lb	SEE PAGE 223
22	5HB	Heavy-Duty Vehicle Bracket 10MB-4H, 10MB-8H, 10RB-7H, 9-1211B-T	SEE PAGE 223
22	10HB	Heavy-Duty Vehicle Bracket 10MB-3H, 9-1211B-S	SEE PAGE 223
N/S	AD21	Recharge Adapter	SEE PAGE 175
N/S	HTA45	Hydrostatic Test Adapter	SEE PAGE 179



# 11 BADGER - FIRE EXTINGUISHER PARTS

## DRY CHEMICAL

B250M, B275BC, B250P, B5M, B5M1, B5BC, B5P, B10M, B10BC1, B10P1

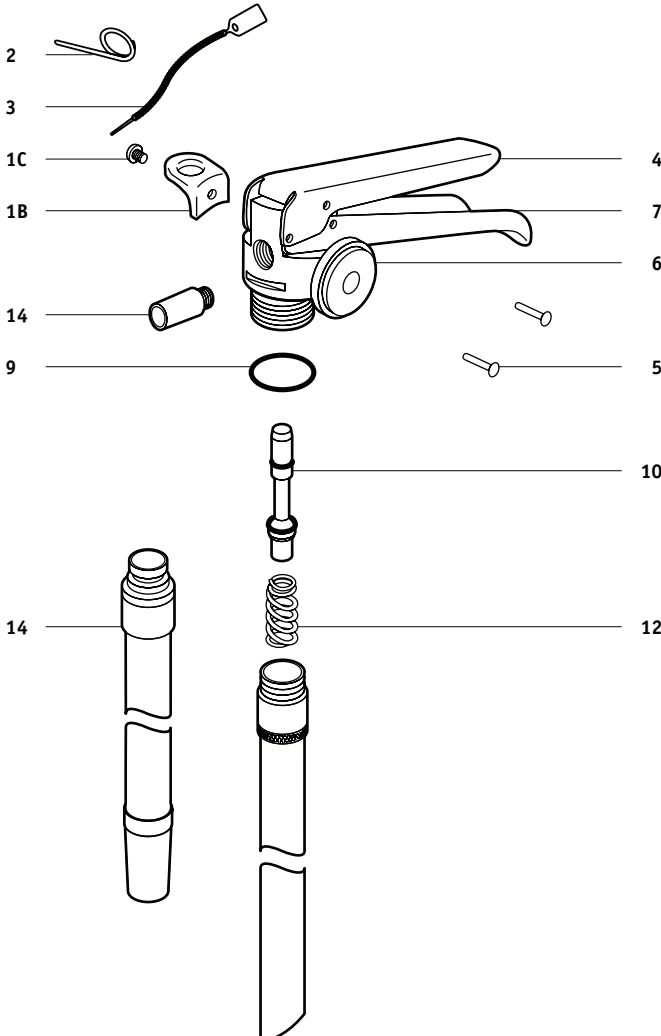
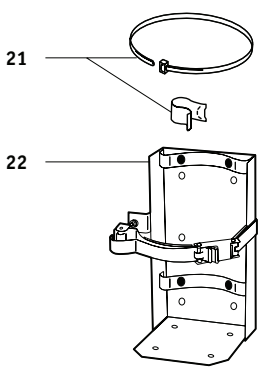


FIG.	P/N	SERVICE & MAINTENANCE PART DESCRIPTION	EACH
1B	23358B	Hanger Loop	
1C	21390B	Hanger Loop Screw	
2		Pull Pin	SEE PAGE 212
3		Tamper Seal	SEE PAGE 210
4	23351B	Lever	
5	23352B	Lever Rivet	
6	G195	Gauge - 195	SEE PAGE 204
7	23353B	Handle	
9	20745B	Collar O-Ring	
10	23389B	Valve Stem	SEE PAGE 205
12	19393B	Spring	
14	23393B	Hose & Nozzle Assembly	
14	23399B	Hose & Nozzle Assembly	

FIG.	P/N	ACCESSORY PART DESCRIPTION	EACH
21		Universal Hose Strap	SEE PAGE 218
N/S	WH5	Wall Hanger	SEE PAGE 220
N/S	MB250	Vehicle Bracket	SEE PAGE 222
N/S	MB5	Vehicle Bracket	SEE PAGE 222
22	5DC	Heavy-Duty Vehicle Bracket	SEE PAGE 223
22	5HB	Heavy-Duty Vehicle Bracket	SEE PAGE 223
N/S	AD21	Recharge Adapter	SEE PAGE 175
N/S	HTA45	Hydrostatic Test Adapter	SEE PAGE 179



## DRY CHEMICAL

5RB-2, 6MB-1, 10MB-1H, 10MB-2H, 10RB-2H, 10PB-2H, 20MB-1H, 20RB-1H, 20PB-1H, 20MB-2H, 20PB-2H, 20MB-6H, 20RB-7H

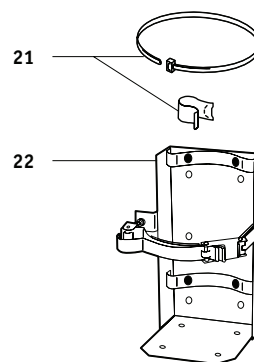
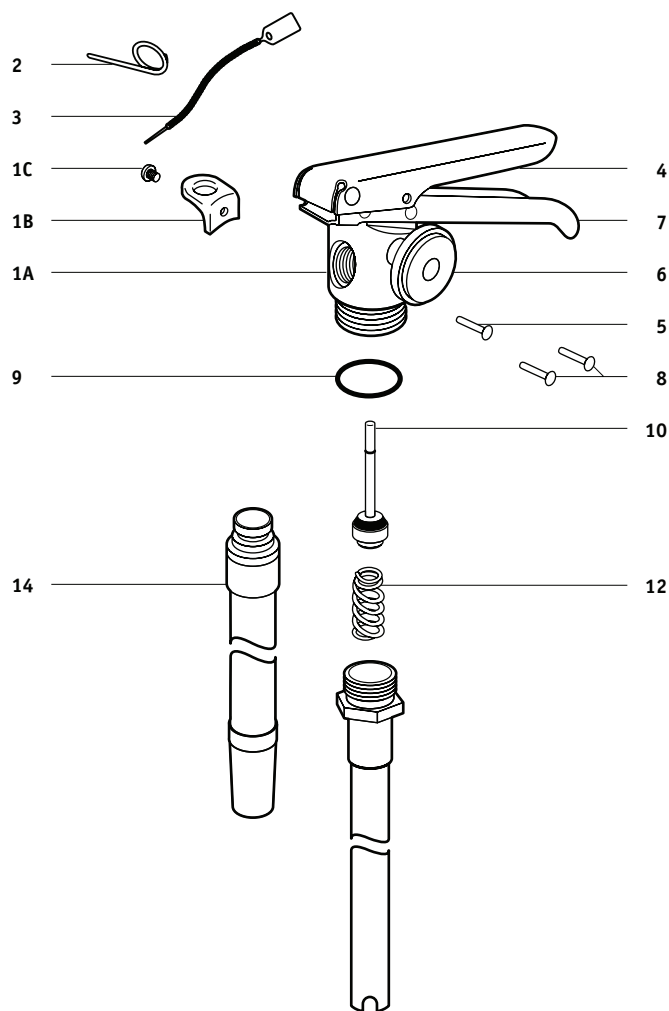
## HALON 1211

13-1211B-S, 13-1211B-T, 17-1211B, 20-1211B

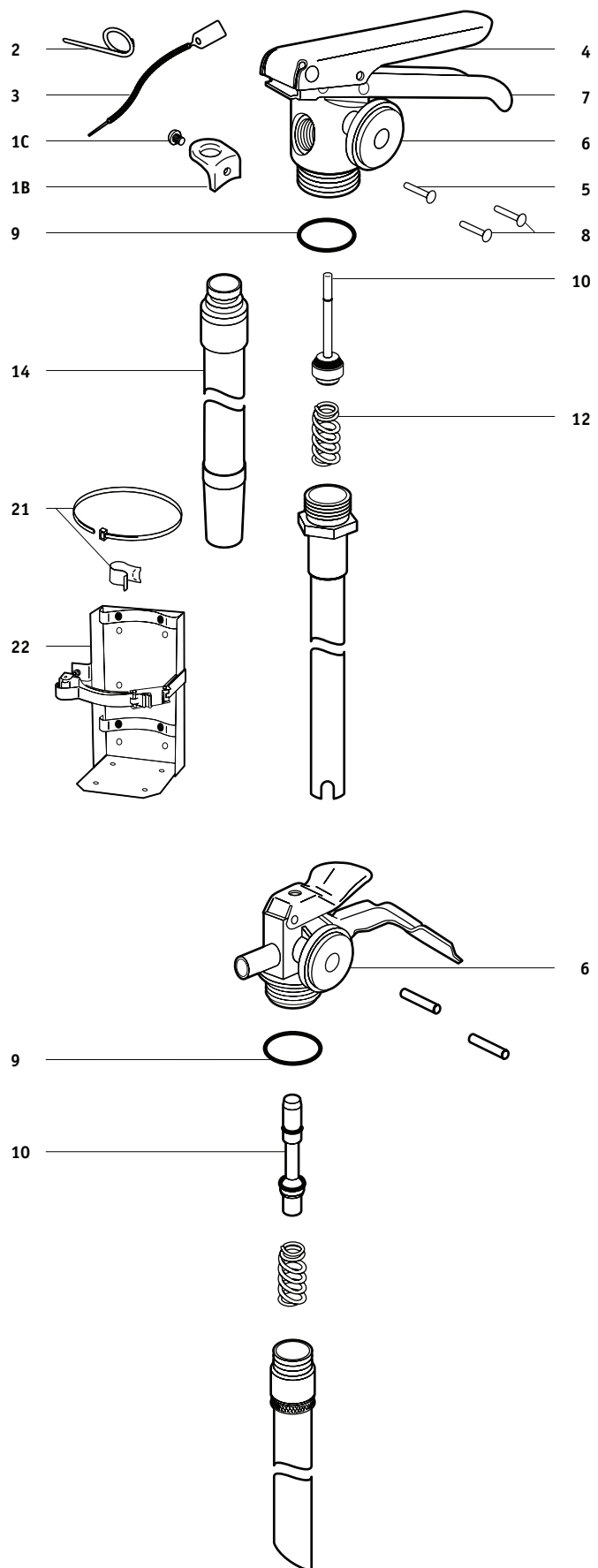
FIG.	P/N	SERVICE & MAINTENANCE PART DESCRIPTION	EACH
1A	16459B	Valve Body	
1B	8516B	Hanger Loop	
1C	19622B	Hanger Loop Screw	
2		Pull Pin	SEE PAGE 212
3		Tamper Seal	SEE PAGE 210
4	16515B*	Lever	
5	16518B	Lever Rivet	
6	G195	Gauge - 195	SEE PAGE 204
6	G195H	Gauge - 195 (Halon)	SEE PAGE 204
7	16513B	Handle	
8	16517B	Handle Rivet	
9	20746B	Collar O-Ring	
10	12426B	Valve Stem Assembly	SEE PAGE 205
12	7630B	Spring	
14	20580B	Hose & Nozzle Assembly	

FIG.	P/N	ACCESSORY PART DESCRIPTION	EACH
21		Universal Hose Strap/Clip	SEE PAGE 218
N/S	WH5	Wall Hanger	SEE PAGE 220
N/S	WH15	Wall Hanger	SEE PAGE 220
N/S	WH20	Wall Hanger	SEE PAGE 220
N/S	MB5	Vehicle Bracket	SEE PAGE 222
22	5DC	Heavy-Duty Vehicle Bracket	SEE PAGE 223
22	5HB	Heavy-Duty Vehicle Bracket	SEE PAGE 223
22	10HB	Heavy-Duty Vehicle Bracket	SEE PAGE 223
22	15HB	Heavy-Duty Vehicle Bracket	SEE PAGE 223
N/S	AD24	Recharge Adapter	SEE PAGE 175
N/S	HTA44	Hydrostatic Test Adapter	SEE PAGE 179

\*WHILE QUANTITIES LAST!



# 11 BADGER - FIRE EXTINGUISHER PARTS



**DRY CHEMICAL**

10MB-5H, 10MB-9H, 10RB-3H, 10PB-9H, 10RB-6H, 20MB-3H, 20RB-2H, 20PB-3H, 20MB-5H, 20RB-4H, B10M1, B20M, B20BC, B20P, B10M1-HF, B10P1-HF, B20M-HF, B20P-HF

**HALOTRON I**

11HB, 15.5HB

FIG.	P/N	SERVICE & MAINTENANCE PART DESCRIPTION	EACH
1B	23358B	Hanger Loop	
1C	21390B	Hanger Loop Screw	
2		Pull Pin, Stainless Steel	SEE PAGE 212
3		Tamper Seal	SEE PAGE 210
4	16438B	Lever	
5	16633B	Lever Rivet	
6	G195	Gauge - 195	SEE PAGE 204
		All Dry Chemical	
6	G125T	Gauge - 125 (Halotron I)	
		All Halotron I	
7	16437B	Handle	
8	4095B	Handle Rivet	
9	20746B	Collar O-Ring	
		All Dry Chemical	
9	23089B	Collar O-Ring	
		All Halotron I	
10	12426B	Valve Stem Assembly	SEE PAGE 205
		All Dry Chemical	
10	23086B	Valve Stem Assembly	
		All Halotron I	
12	7630B	Spring	
14	21407B	Hose & Nozzle Assembly	
		20MB-3H, 20MB-5H	
14	22601B	Hose & Nozzle Assembly	
		10MB-9H, B10M1	
14	21006168B	Hose & Nozzle Assembly	
		All High Flow (HF) Models	

FIG.	P/N	ACCESSORY PART DESCRIPTION	EACH
21		Universal Hose Strap/Clip	SEE PAGE 218
N/S	WH5	Wall Hanger	SEE PAGE 220
		10 lb	
N/S	WH20	Wall Hanger	SEE PAGE 220
		20 lb	
22	5HB	Heavy-Duty Vehicle Bracket	SEE PAGE 223
		10 lb	
22	15HB	Heavy-Duty Vehicle Bracket	SEE PAGE 223
		20 lb	
N/S	AD24	Recharge Adapter	SEE PAGE 175
N/S	HTA44	Hydrostatic Test Adapter	SEE PAGE 179

**DRY CHEMICAL**

P200RA, P275RA, P250MA

**HALON**

P1.25-1211A, P2.5-1211A

FIG.	P/N	SERVICE & MAINTENANCE PART DESCRIPTION	EACH
6	G100	Gauge - 100	SEE PAGE 204
		P200RA	
6	G195	Gauge - 195	SEE PAGE 204
		P275RA, P250MA	
6	G100H	Gauge - 100 (Halon)	SEE PAGE 204
		P1.25-1211A	
6	G125H	Gauge - 125 (Halon)	SEE PAGE 204
		P2.5-1211A	
9	20745B	Collar O-Ring	
10	19010B	Valve Stem Assembly	SEE PAGE 205
		All Dry Chemical	
10	18672B	Valve Stem Assembly	SEE PAGE 206
		All Halon	

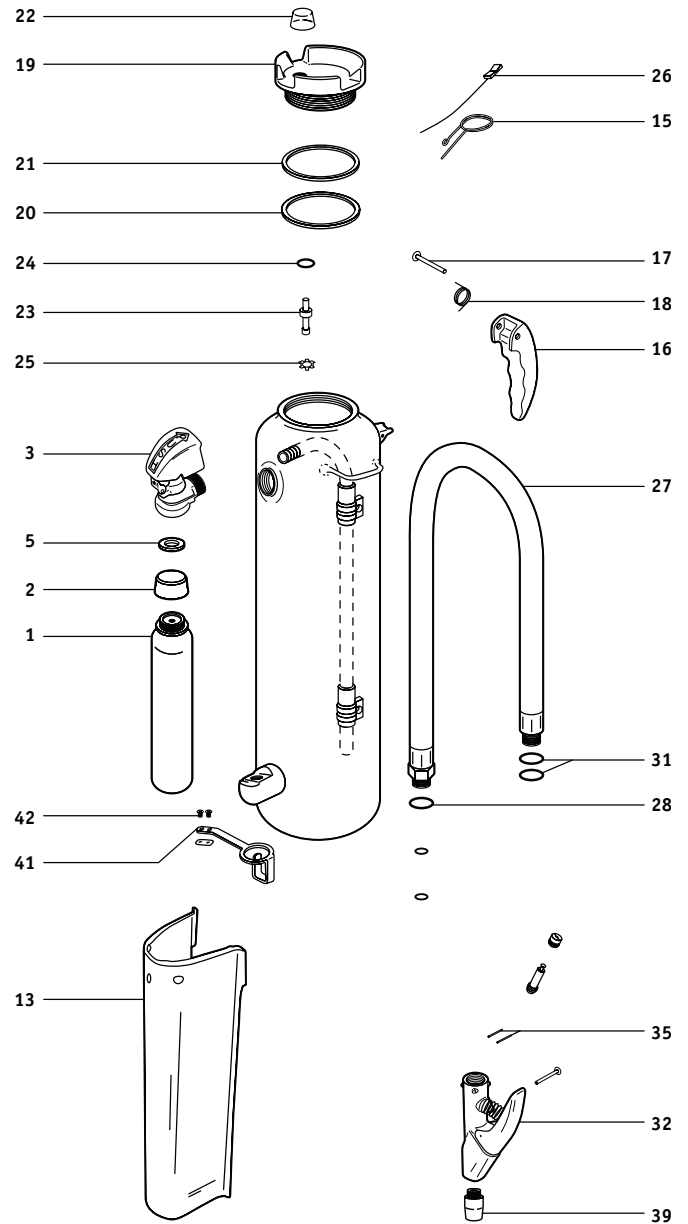
FIG.	P/N	ACCESSORY PART DESCRIPTION	EACH
N/S	AD21	Recharge Adapter	SEE PAGE 175
		P275RA, P250MA, P2.5-1211A	
N/S	HTA45	Hydrostatic Test Adapter	SEE PAGE 179



**DRY CHEMICAL**

B-10-RG, B-10-RG-LT, B-10-PK, B-10-PK-LT, B-10-PK-HF, B-10-A, B-10-A-LT, B-10-A-HF, B-20-RG, B-20-RG-LT, B-20-PK, B-20-PK-LT, B-20-PK-HF, B-20-PK-HF-LT, B-20-A, B-20-A-LT, B-20-A-HF, B-20-A-HF-LT, B-30-RG, B-30-RG-LT, B-30-PK, B-30-PK-LT, B-30-PK-HF, B-30-PK-HF-LT, B-30-A, B-30-A-LT, B-30-A-HF, B-30-A-HF-LT

FIG	P/N	SERVICE & MAINTENANCE PART DESCRIPTION	EACH
1	440347BC	Cartridge All 10 lb, Except LT	
1	440348BC	Cartridge All 20 lb, Except LT	
1	440349BC	Cartridge All 30 lb, Except LT	
3	440384BC	Cartridge Receiver Assembly	
5	320934BC	Gasket, Cartridge Receiver	
13	440325BC	Cartridge Guard Assembly All 10 lb	
13	440324BC	Cartridge Guard Assembly All 20, 30 lb	
15	320911BC	Ring Pin	
16	23678BC	Carrying Handle	
17	320837BC	Carrying Handle Rivet	
18	320838BC	Carrying Handle Spring	
19	440314BC	Fill Cap Assembly w/ Indicator	
20	320779BC	Gasket, Fill Cap	
21	320780BC	Quad Ring, Fill Cap	
22	340744BC	Cap, Plastic	
23	320768BC	Stem, Indicator	
24	320769BC	Quad Ring	
25	320778BC	Retaining Ring	
27	440332BC	10 lb Hose Assembly	
27	440333BC	20 lb Hose Assembly	
27	440334BC	30 lb Hose Assembly	
28	320914K	Hose O-Ring	
31	320905BC	Nozzle O-Ring	
32	440360BC	Nozzle Assembly (Less Tip)	
35	320958BC	Pin, Nozzle	
39	341010BC	Nozzle Tip 20 lb ABC	
39	341016BC	Nozzle Tip 30 lb ABC	
39	341017BC	Nozzle Tip 30 lb Regular Dry Chemical	
41	320928BC	Nozzle Holster All 20, 30 lb	
42	320929BC	Nozzle Holster Screw	
FIG	P/N	ACCESSORY PART DESCRIPTION	EACH
26	VIS10	Visual Inspection Seal	SEE PAGE 213
2	LHSC	Cartridge Shipping Cap	SEE PAGE 220
N/S	ACWH1	Hanger Hook	SEE PAGE 175
N/S	DCA	Discharge Adapter	



# 11 BADGER - FIRE EXTINGUISHER PARTS

## CARBON DIOXIDE

B5H-1, B5H-1A, B10H-2, B10HA, B15H-2, B15HA, B20H-2, B20HA

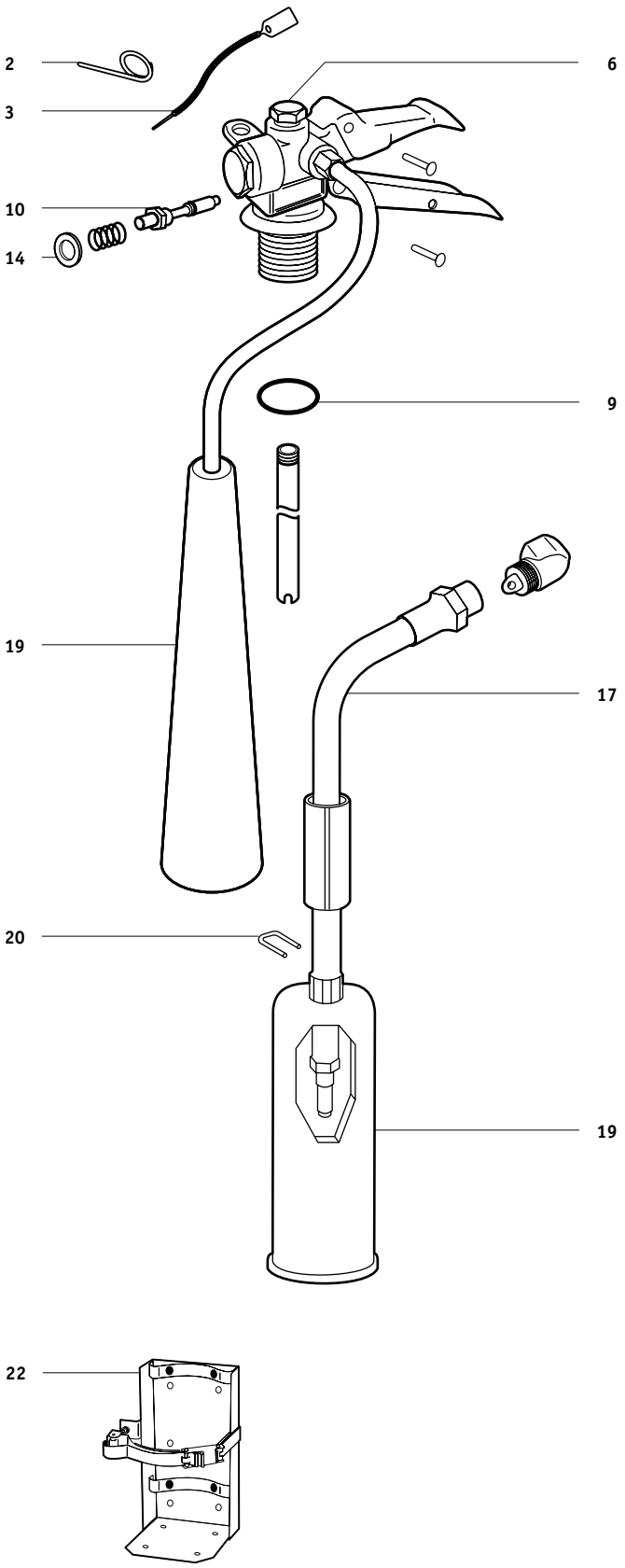


FIG.	P/N	SERVICE & MAINTENANCE PART DESCRIPTION	EACH
2		Pull Pin, Stainless Steel	SEE PAGE 212
3		Tamper Seal	SEE PAGE 210
6	24643B	Safety Disc, Gasket, & Nut Assembly	SEE PAGE 216
9	16464B	Collar O-Ring	SEE PAGE 216
10	5558B	Valve Stem Assembly	SEE PAGE 207
14	3524B	Retainer Washer	
17	23005B	Hose & Nozzle Assembly (.110)	
		10 lb	
17	23010B	Hose & Nozzle Assembly (.099)	
		15-20 lb	
19	1840B	Horn w/ Handle	
		All 10 lb	
19	1841B	Horn w/ Handle	
		All 15-20 lb	
20	1838B	U-Pin	
		All 10, 15, 20 lb	

FIG.	P/N	ACCESSORY PART DESCRIPTION	EACH
N/S	RDBACLIP	Horn Clip	SEE PAGE 218
		All 10, 15, 20 lb	
N/S	RDS15	Strap	SEE PAGE 218
		B10HA, B15HA	
N/S	RDS20	Strap	SEE PAGE 218
		B20HA	
N/S	SET6	Hardware Set	SEE PAGE 218
		10-20 lb Aluminum Cylinder	
N/S	BL209	Replacement Nameplate (Non-UL)	SEE PAGE 159
		All 5 lb	
N/S	BL210	Replacement Nameplate (Non-UL)	SEE PAGE 159
		All 10, 15, 20 lb	
N/S	WH5	Wall Hanger	SEE PAGE 220
		All 5 lb	
N/S	WH15	Wall Hanger	SEE PAGE 220
		All 10, 15 lb	
N/S	WH20	Wall Hanger	SEE PAGE 220
		All 20 lb	
22	5HB	Heavy-Duty Vehicle Bracket	SEE PAGE 223
		All 5 lb	
22	15HB	Heavy-Duty Vehicle Bracket	SEE PAGE 223
		All 10, 15 lb	
22	20HB	Heavy-Duty Vehicle Bracket	SEE PAGE 223
		All 20 lb	



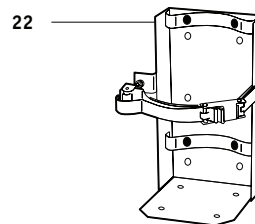
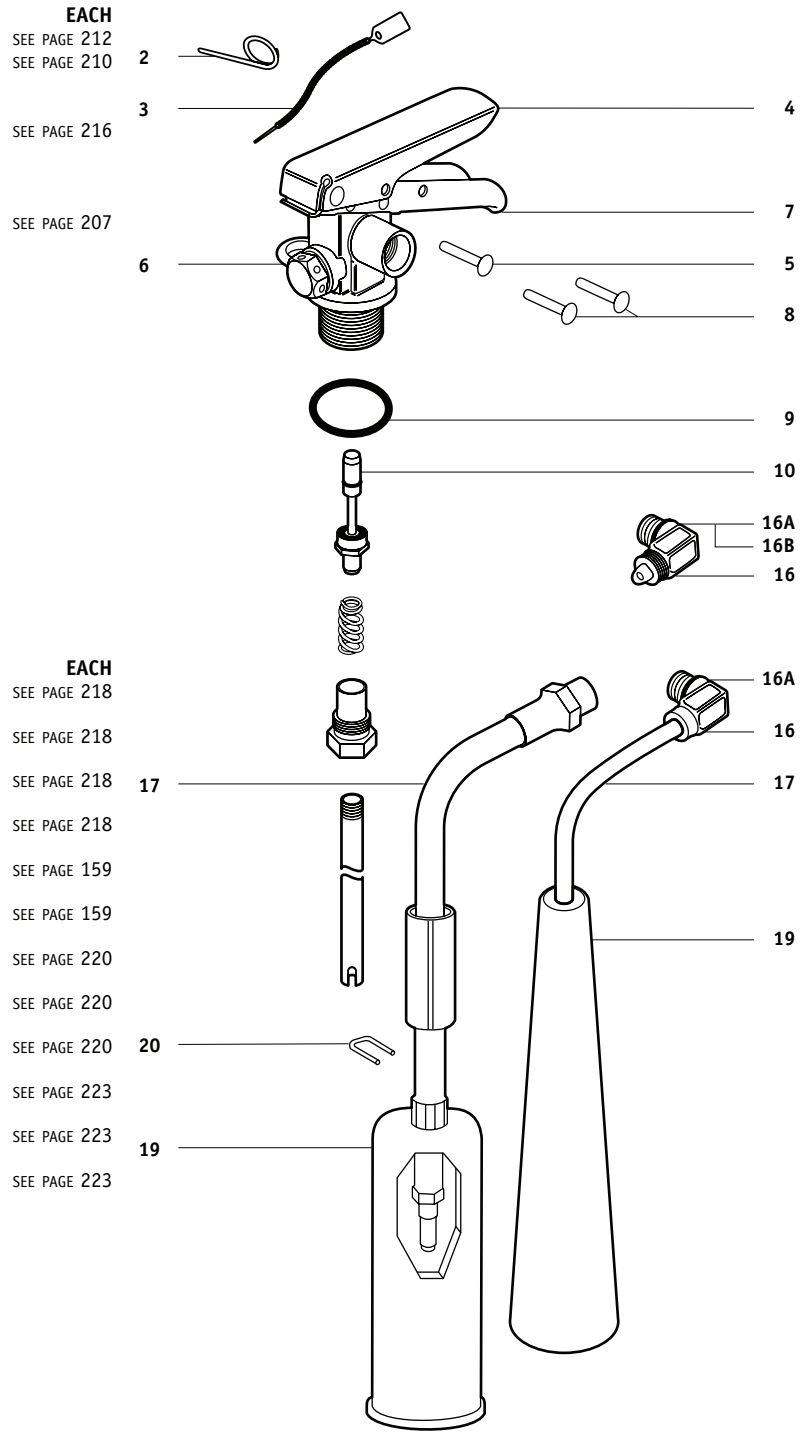


## CARBON DIOXIDE

B5V, B10V, B15V, B20V

FIG.	P/N	SERVICE & MAINTENANCE PART DESCRIPTION	EACH
2		Pull Pin, Stainless Steel	SEE PAGE 212
3		Tamper Seal	SEE PAGE 210
4	16438B	Lever	
5	16633B	Lever Rivet	
6	24643B	Safety Disc, Gasket, & Nut Assembly	SEE PAGE 216
7	16437B	Handle	
8	4095B	Handle Rivet	
9	16464B	Collar O-Ring	
10	20981B	Valve Stem Assembly	SEE PAGE 207
16	20991B	Elbow	
		B10V, B15V, B20V	
16A	21101B	O-Ring for Elbow	
16B	3524B	Washer for Elbow	
17	21116B	Discharge Tube	
		B5V	
17	23005B	Hose & Nozzle Assembly (.110)	
		B10V	
17	23010B	Hose & Nozzle Assembly (.099)	
		B15V, B20V	
19	8886B	Horn	
		B5V	
19	1840B	Horn w/ Handle	
		B10V	
19	1841B	Horn w/ Handle	
		B15V, B20V	
20	1838B	U-Pin	
		B10V, B15V, B20V	

FIG.	P/N	ACCESSORY PART DESCRIPTION	EACH
N/S	RDS15	Strap	SEE PAGE 218
		B10V, B15V	
N/S	RDS20	Strap	SEE PAGE 218
		B20V	
N/S	RDBACLIP	Horn Clip	SEE PAGE 218
		B10V, B15V, B20V	
N/S	SET6	Hardware Set	SEE PAGE 218
		B10V, B15V, B20V	
N/S	BL209	Replacement Nameplate (Non-UL)	SEE PAGE 159
		B5V	
N/S	BL210	Replacement Nameplate (Non-UL)	SEE PAGE 159
		B10V, B15V, B20V	
N/S	WH5	Wall Hanger	SEE PAGE 220
		B5V	
N/S	WH15	Wall Hanger	SEE PAGE 220
		B10V, B15V	
N/S	WH20	Wall Hanger	SEE PAGE 220
		B20V	
22	5HB	Heavy-Duty Vehicle Bracket	SEE PAGE 223
		B5V	
22	15HB	Heavy-Duty Vehicle Bracket	SEE PAGE 223
		B10V, B15V	
22	20HB	Heavy-Duty Vehicle Bracket	SEE PAGE 223
		B20V	



# 11 BADGER - FIRE EXTINGUISHER PARTS

## WATER/LOADED STREAM

WP61, PWA-61

## WET CHEMICAL

WC-10, WC-25, WC-100, WC-250

## AR-AFFF FOAM

F-100, F-250

### FIG. P/N

### SERVICE & MAINTENANCE PART DESCRIPTION

### EACH

2		Pull Pin, Stainless Steel	SEE PAGE 212
3		Tamper Seal	SEE PAGE 210
4	16438B	Lever	
5	16633B	Lever Rivet	
6	G100WS	Gauge - 100	SEE PAGE 204
7	16437B	Handle	
8	4095B	Handle Rivet	
9	20746B	Collar O-Ring	
10	12426B	Valve Stem Assembly	SEE PAGE 205
12	7630B	Spring	
13	14992B	Siphon Tube Assembly	
		WP61, PWA-61, WC-25, WC-250	
13	21539B	Siphon Tube Assembly	
		WC-10, WC-100	
13B	22445B	Screen Disk for Siphon Tube	
		WC-10, WC-25, WC-100, WC-250	
14	8844B	Hose & Nozzle Assembly	
		WP61, PWA-61	
14	23161B	Hose Assembly w/ Tip (Replaces 22338)	
		WC-10, WC-25, WC-100, WC-250	
14B	23162B	Finger Guard	
		WC-10, WC-25, WC-100, WC-250	
14C	KR97054	Foil Inspection Disc, Pkg/10	SEE PAGE 315
		WC-10, WC-25, WC-100, WC-250	
14D	KR97290	Nozzle Tip Cap, Pkg/10	SEE PAGE 315
		WC-10, WC-25, WC-100, WC-250	
N/S	AC100	Wet Chemical Recharge, 6lit	SEE PAGE 24
		WC-100	
N/S	AC250	Wet Chemical Recharge, 2 1/2 gal	SEE PAGE 24
		WC-250	

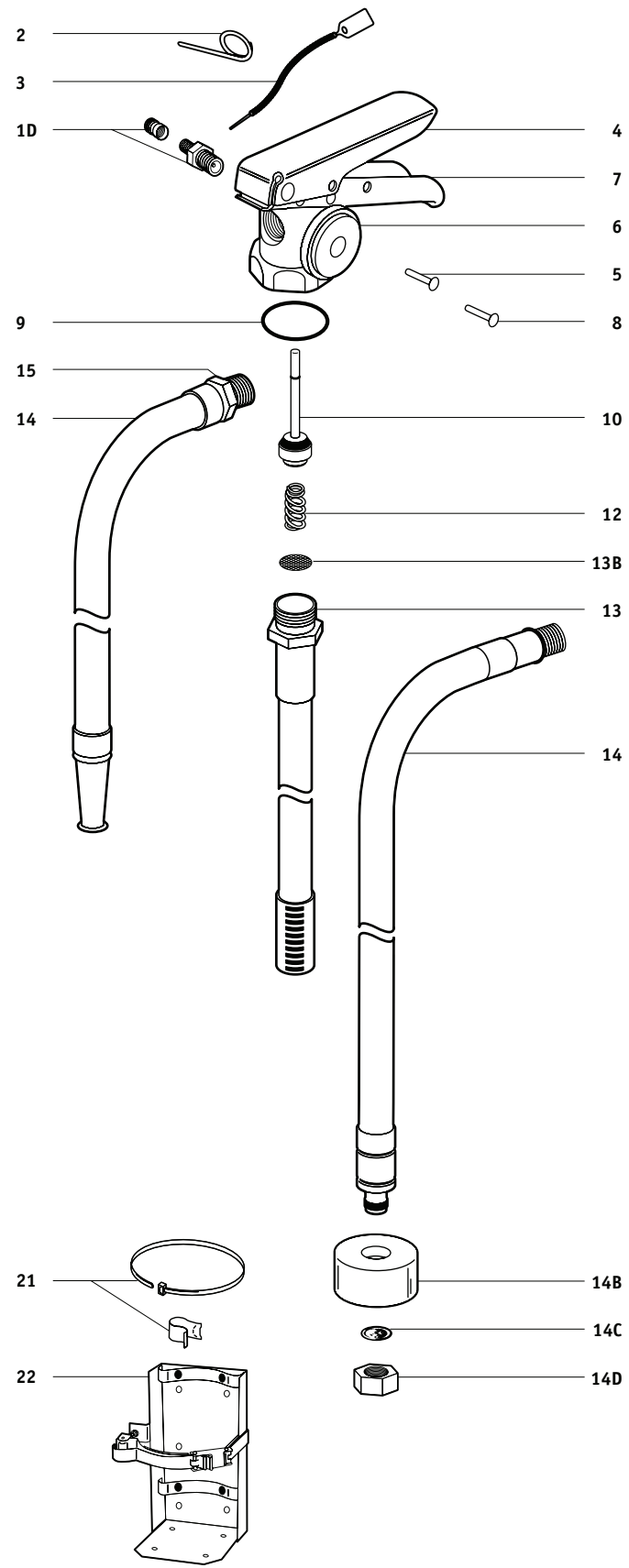
### FIG. P/N

### ACCESSORY PART DESCRIPTION

### EACH

1D	AV1*	Pressure Valve & Cap Assembly	SEE PAGE 175
N/S	CORE*	Pressure Valve Core, Pkg/50	SEE PAGE 175
N/S	AVC*	Pressure Cap, Pkg/50	SEE PAGE 175
21		Universal Hose Strap/Clip	SEE PAGE 218
		WC-10, WC-25, WC-100, WC-250, F-100, F-250	
N/S	792B	Loaded Stream Anti-Freeze Charge	SEE PAGE 20
		PWA-61	
N/S	WH2	Wall Hanger	SEE PAGE 220
22	15HB	Heavy-Duty Vehicle Bracket	SEE PAGE 223
N/S	AD24	Recharge Adapter	SEE PAGE 175
		WP61, PWA-61, WC-100, WC-250, F-100, F-250	
N/S	HTA10	Hydrostatic Test Adapter	SEE PAGE 179

\*WP61 AND PWA-61 UP TO 2002.



## STORED PRESSURE DRY CHEMICAL WHEELED

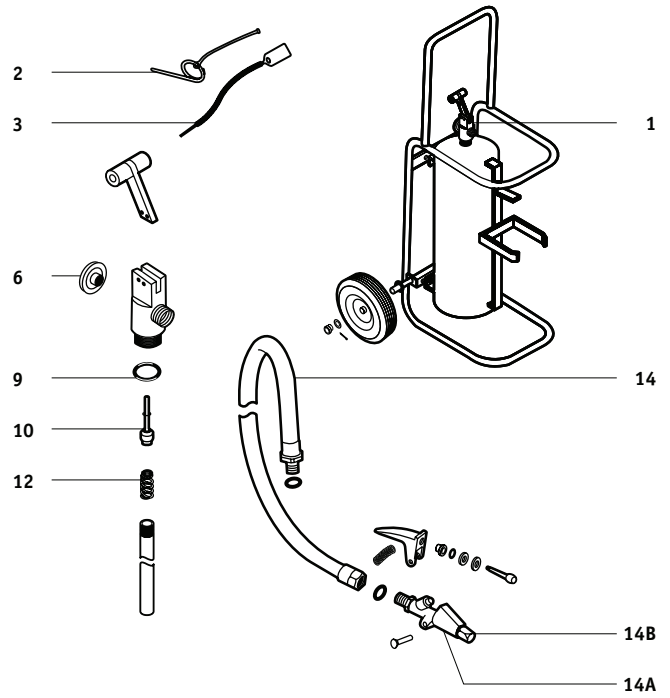
50RB, 50MB, 50PB

### HALON WHEELED

50-1211B

FIG.	P/N	SERVICE & MAINTENANCE PART DESCRIPTION	EACH
1	Z20135BD	Valve Assembly (Special Order) Dry Chemical	2
2		Pull Pin, Stainless Steel	SEE PAGE 212
3		Tamper Seal	SEE PAGE 210
6	G240	Gauge - 240 Dry Chemical	SEE PAGE 204
9	20746B	Collar O-Ring	
10	12426B	Valve Stem Assembly Dry Chemical	SEE PAGE 205
12	7630B	Spring	
14	Z20131BD	Hose, 1/2" x 25' (Special Order)	
14A	Z440360BD	Nozzle Assembly (Less Tip) (Special Order)	
14B	Z20133BD	Nozzle Tip (Special Order) 50MB	

FIG.	P/N	ACCESSORY PART DESCRIPTION	EACH
N/S	6160A	Recharge Adapter	
N/S	HTA44	Hydrostatic Test Adapter	SEE PAGE 179



## STORED PRESSURE DRY CHEMICAL WHEELED

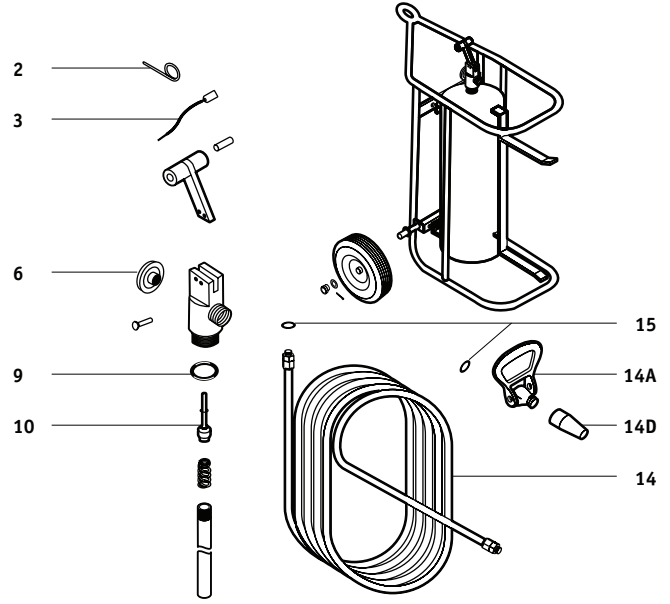
150RB, 150MB, 150PB

### HALON WHEELED

150-1211B

FIG.	P/N	SERVICE & MAINTENANCE PART DESCRIPTION	EACH
2		Pull Pin, Stainless Steel	SEE PAGE 212
3		Tamper Seal	SEE PAGE 210
6	G240	Gauge - 240 Dry Chemical	SEE PAGE 204
9	20510B	Collar O-Ring	
10	23658BD	Valve Stem Assembly (Special Order)	
14	Z20079BD	Hose, 3/4" x 50' (Special Order)	
14A	Z23123BD	Nozzle Assembly (Less Orifice) (Special Order) Dry Chemical	
14D	Z23446BD	Nozzle Orifice (Special Order) 150RB	
14D	Z23447BD	Nozzle Orifice (Special Order) 150MB	
N/S	Z20556BD	Swivel (Special Order)	
15	4045B	Washer	

FIG.	P/N	ACCESSORY PART DESCRIPTION	EACH
N/S	5720A	Recharge/Hose Hydrotest Adapter	SEE PAGE 179
N/S	HTA24	Hydrostatic Test Adapter	SEE PAGE 179

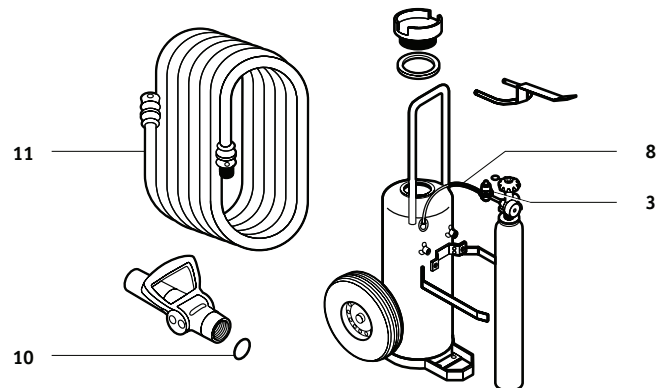


## CYLINDER OPERATED DRY CHEMICAL WHEELED

B150A, B150AL, B125K, B125KL, B150R, B150RL, B150-A1, B150AL-1, B125K-1, B125KL-1, B150R-1, B150RL-1

FIG.	P/N	SERVICE & MAINTENANCE PART DESCRIPTION	EACH
3	3031BD	Pressure Regulator	
8	3034B	Nitrogen Hose	
10	4045B	Chemical Hose & Nozzle Gasket	
11	Z20079BD	Chemical Hose Assembly (Special Order)	

FIG.	P/N	ACCESSORY PART DESCRIPTION	EACH
N/S	CS10	Nitrogen Valve Lock Wire	SEE PAGE 211



# 11 BUCKEYE - FIRE EXTINGUISHER PARTS

## DRY CHEMICAL

5HI-SA40-ABC, 5HI-SB40-ABC, 5HI-SA-PK, 5.5HI-SA40-STD, 10HI-SA80-ABC, 10HI-SB80-ABC, 10S HI-SA-ABC, 10S HI-SA-STD, 10S HI-SA-PK, 10T HI-SA80-ABC, 10T HI-SB80-ABC, 10T HI-SA-STD, 10T HI-SB-STD, 10T HI-SA-PK, 10T HI-SB-PK, 20S HI-SA-ABC, 20S HI-SB-ABC, 20S HI-SA-STD, 20S HI-SA-PK, 20S HI-SB-PK, 30S HI-SB-ABC, 30S HI-SB-PK

## HALON 1211

5HI-SA-1211-A, 5HI-SB-1211-A, 9HI-SA-1211, 9HI-SB-1211, 9S HI-SA-1211, 13HI-SA-1211, 13HI-SB-1211, 13S HI-SA-1211, 17S-SA-1211, 20S-SA-1211, 20S-SB-1211

## HALOTRON I

5 - 24 lb, 5 FSA, 5HSA, 11SA, 11SB, 15SA, 15SB

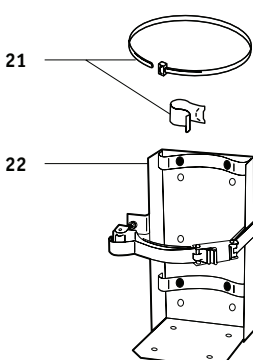
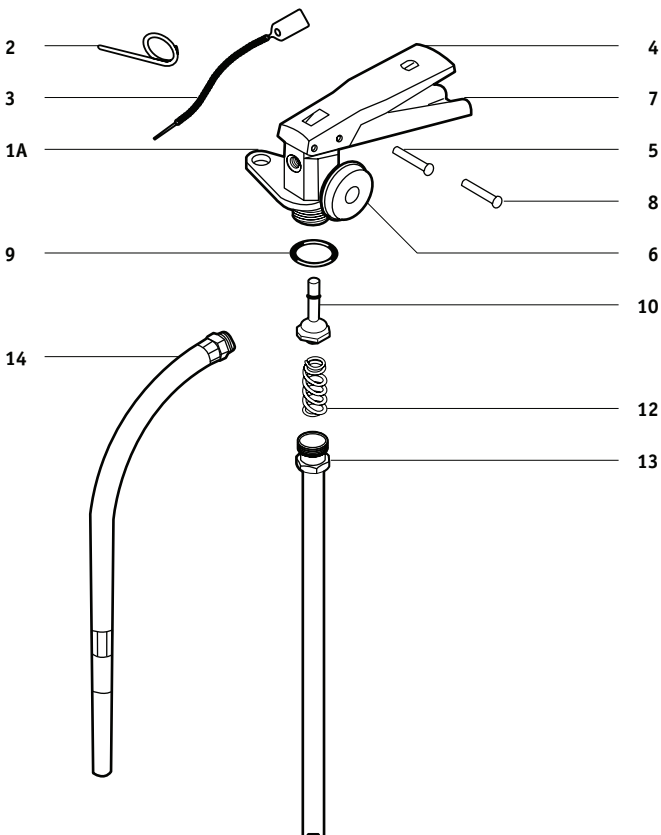


FIG.	P/N	SERVICE & MAINTENANCE PART DESCRIPTION	EACH
1A	700201W	Hanger Loop (SA)	
2		Pull Pin	SEE PAGE 212
3		Tamper Seal	SEE PAGE 210
4	900210W	Lever (SA)	
4	900214W	Lever (SB)	
5	900050W	Lever Rivet (SA)	
5	900053W	Lever Rivet (SB)	
6	G195	Gauge - 195 All Dry Chemical	SEE PAGE 204
6	G100H	Gauge - 100 (Halon) All 5 lb Halon	SEE PAGE 204
6	G195H	Gauge - 195 (Halon) All 9, 13, 17, 20 lb Halon	SEE PAGE 204
6	G100T	Gauge - 100 (Halotron I) All 5-11 lb Halotron I	
6	G125T	Gauge - 125 (Halotron I) All 12, 14, 15 lb Halotron I	
7	900228W	Handle (SA)	
7	900232W	Handle (SB)	
8	900049W	Handle Rivet (SA)	
8	900052W	Handle Rivet (SB)	
9	900001W	Collar O-Ring	
9	900004W	Collar O-Ring All Halon	
9	900010W	Collar O-Ring	
9	900013W	Collar O-Ring All Steel Cylinder Halotron I	
9	900014W	Collar O-Ring All Aluminum Cylinder Halotron I	
10	103215W	Valve Stem All Dry Chemical	SEE PAGE 205
10	103214W	Valve Stem All Halon	SEE PAGE 206
10	103216W	Valve Stem All Halotron I	
12	900105W	Spring (Replaces 900101)	
13	900960W	Siphon Tube All 5 HI, 5.5 HI	
13	900962W	Siphon Tube All 10S HI	
13	900963W	Siphon Tube All 10T HI	
13	900971W	Siphon Tube All 10 HI, 20 HI	
14	109267W	Hose & Nozzle Assembly (.128) 5 HI SA40 ABC	
14	113277W	Hose & Nozzle Assembly (.144) 10 HI SA80 ABC, 10T HI SA80 ABC	
14	126216W	Hose & Nozzle Assembly (.180) 20S HI SA ABC	
21		Universal Hose Strap/Clip	SEE PAGE 218
N/S	WH5	Wall Hanger All 5-5½ lb	SEE PAGE 220
N/S	WH15	Wall Hanger All 10 lb	SEE PAGE 220
N/S	WH20	Wall Hanger ALL 20S, 30S	SEE PAGE 220
N/S	700270W	Vehicle Bracket All 5 lb	SEE PAGE 222
22	5DC	Heavy-Duty Vehicle Bracket All 5 lb	SEE PAGE 223
22	5HB	Heavy-Duty Vehicle Bracket All 9-17 lb, Except 9S, 10S, 13, 17S	SEE PAGE 223
22	10HB	Heavy-Duty Vehicle Bracket All 9S, 10S, 13S, 17S	SEE PAGE 223
22	15HB	Heavy-Duty Vehicle Bracket All 20-30 lb	SEE PAGE 223
N/S	AD23	Recharge Adapter	---
N/S	HTA7	Hydrostatic Test Adapter	SEE PAGE 179

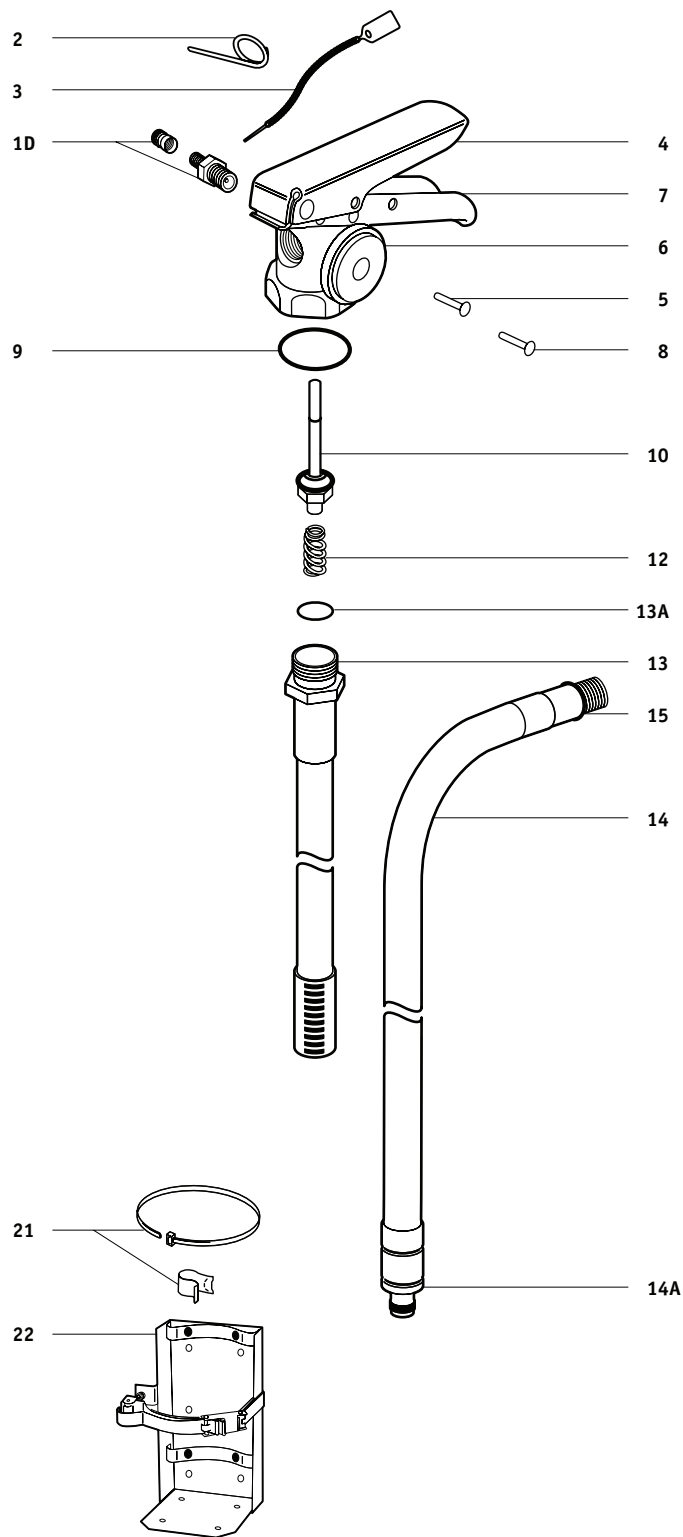


## WET CHEMICAL

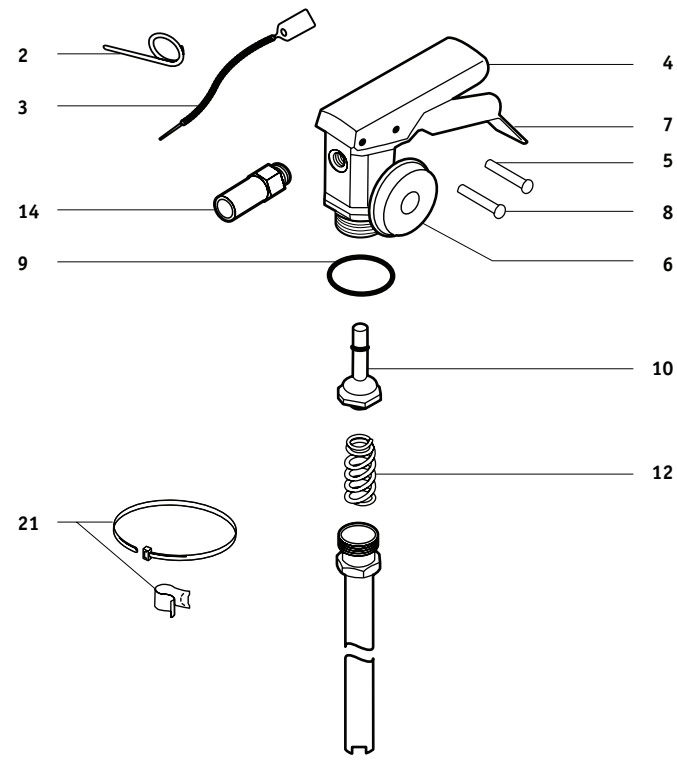
6 liter, 2.5 gallon

FIG.	P/N	SERVICE & MAINTENANCE PART DESCRIPTION	EACH
2		Pull Pin, Stainless Steel	SEE PAGE 212
3		Tamper Seal	SEE PAGE 210
4	900322W	Lever	
5	900053W	Lever Rivet	
6	G100K	Gauge - 100 psi	SEE PAGE 204
7	900919W	Handle	
8	900052W	Handle Rivet	
9	900916W	Collar O-Ring	
10	900921W	Valve Stem Assembly	
12	900928W	Spring	
13	300465W	Siphon Tube, 6lit	
13	300464W	Siphon Tube, 2.5 gal	
13A	900930W	Siphon Tube O-Ring	
14	WC6LDA	Hose & Wand Assembly w/ Nozzle, 6lit	
14	900637W	Hose & Wand Assembly w/ Nozzle, 2.5 gal	
14A	NOZ001WCA	Nozzle Assembly, 6lit	
14A	900936W	Nozzle Assembly, 2.5 gal	
15	900941W	Hose O-Ring	
N/S	BK600872	Wet Chemical Charge, 6lit	SEE PAGE 24

FIG.	P/N	ACCESSORY PART DESCRIPTION	EACH
1D	AV1	Pressure Valve & Cap Assembly	SEE PAGE 175
N/S	AVC	Pressure Cap, Pkg/50	SEE PAGE 175
N/S	CORE	Pressure Valve Core, Pkg/50	SEE PAGE 175
21		Universal Hose Strap/Clip	SEE PAGE 218
22	15HB	Heavy-Duty Vehicle Bracket	SEE PAGE 223
N/S	HTA10	Hydrostatic Test Adapter	SEE PAGE 179



# 11 BUCKEYE - FIRE EXTINGUISHER PARTS



**DRY CHEMICAL**

2 STD-100, 2 PK-100, 2.5 STD-100, 2.5 ABC-100, 2.5 PK-100, M-5 ABC-II-100, 2.5 SA ABC, 2.5 SA STD, 2.5 SA PK

**HALON 1211**

1-1211, 2.2-1211, 2.5-1211

**HALOTRON I**

2.5 lb & 3 lb Models, 2.5 F SA, 2.5 H SA

FIG.	P/N	SERVICE & MAINTENANCE PART DESCRIPTION	EACH
2		Pull Pin	SEE PAGE 212
3		Tamper Seal	SEE PAGE 210
4	900209W	Lever (Aluminum Cylinders)	
4	900217W	Lever (Steel Cylinders)	
5	900050W	Lever Rivet	
6	G100	Gauge - 100	SEE PAGE 204
		All Dry Chemical	
6	G100H	Gauge - 100 (Halon)	SEE PAGE 204
		All Halon	
6	G100T	Gauge - 100 (Halotron I)	
		All Halotron I	
7	900218W	Handle (Steel Cylinders)	
8	900049W	Handle Rivet	
9	900004W	Collar O-Ring (Aluminum Cylinders)	
		Dry Chemical, Halon 1211	
9	900001W	Collar O-Ring (Steel Cylinders)	
		Dry Chemical, Halon 1211	
9	900014W	Collar O-Ring (Aluminum Cylinders)	
		Halotron I	
9	900013W	Collar O-Ring (Steel Cylinders)	
		Halotron I	
10	103215W	Valve Stem	SEE PAGE 205
		All Dry Chemical	
10	103214W	Valve Stem	SEE PAGE 206
		All Halon	
10	103216W	Valve Stem	
		All Halotron I	
12	900105W	Spring	
14	101145W	Nozzle	
		2.5 ABC-100, 2.5 STD-100	
<b>FIG.</b>	<b>P/N</b>	<b>ACCESSORY PART DESCRIPTION</b>	<b>EACH</b>
21		Universal Hose Strap/Clip	SEE PAGE 218
N/S	AD23	Recharge Adapter	
N/S	HTA7	Hydrostatic Test Adapter	SEE PAGE 179

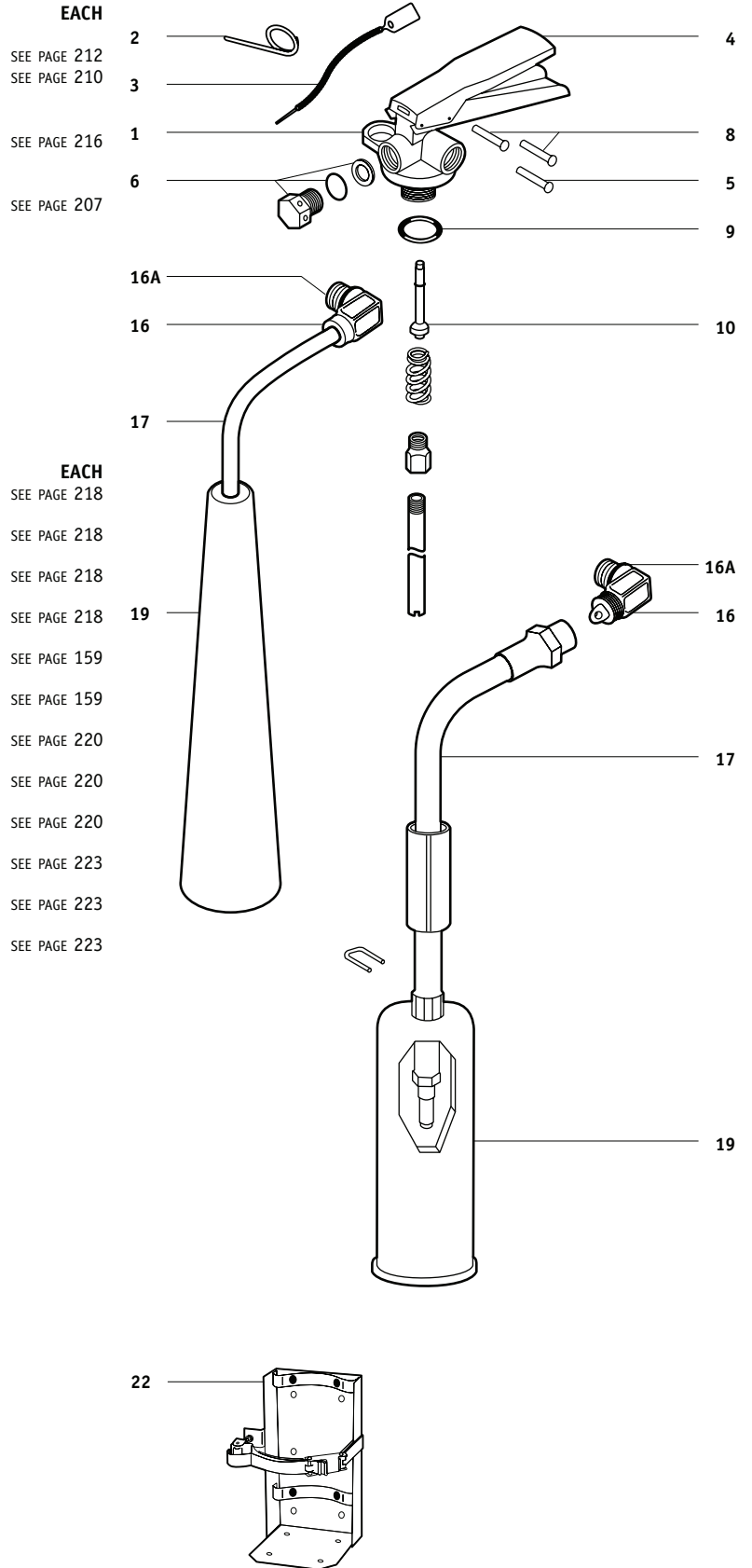


## CARBON DIOXIDE

451, 456, 461, 466

FIG.	P/N	SERVICE & MAINTENANCE PART DESCRIPTION	EACH
1	149250WD	Valve Assembly	
2		Pull Pin, Stainless Steel	SEE PAGE 212
3		Tamper Seal	SEE PAGE 210
4	900322W	Lever (200083)	
5	900053W	Lever Rivet	
6	200081W	Safety Disc, Gasket, & Nut Assembly	SEE PAGE 216
8	900052W	Handle Rivet	
9	900329W	Collar O-Ring	
10	900321W	Valve Stem Assembly	SEE PAGE 207
16	450202W	Elbow w/ O-Ring	
16A	900331W	Elbow O-Ring	
17	453231W	Hose & Nozzle Assembly	
17	900310W	Swivel - Discharge Tube	
19	900313W	Horn	
19	900314W	Horn w/ Handle	

FIG.	P/N	ACCESSORY PART DESCRIPTION	EACH
N/S	RDS15	Hose Strap	SEE PAGE 218
N/S	RDS20	Hose Strap	SEE PAGE 218
N/S	RDBACLIP	Horn Clip	SEE PAGE 218
N/S	SET6	Hardware Set	SEE PAGE 218
N/S	BL209	Replacement Nameplate (Non-UL)	SEE PAGE 159
N/S	BL210	Replacement Nameplate (Non-UL)	SEE PAGE 159
N/S	WH5	Wall Hanger	SEE PAGE 220
N/S	WH15	Wall Hanger	SEE PAGE 220
N/S	WH20	Wall Hanger	SEE PAGE 220
22	5HB	Heavy-Duty Vehicle Bracket	SEE PAGE 223
22	15HB	Heavy-Duty Vehicle Bracket	SEE PAGE 223
22	20HB	Heavy-Duty Vehicle Bracket	SEE PAGE 223



# 11 FLAG - FIRE EXTINGUISHER PARTS

## DRY CHEMICAL

2½ - 5 lb G

FIG.	P/N	SERVICE & MAINTENANCE PART DESCRIPTION	EACH
2		Pull Pin	SEE PAGE 212
3		Tamper Seal	SEE PAGE 210
6	G175	Gauge - 175	SEE PAGE 204
7	551979FG	Handle (Replaces 10784)	
10	552143FG	Valve Stem (Replaces 11130 & 552013)	SEE PAGE 205
12	429162AS	Leaf Spring (Replaces 10426)	
14	551980FG	Hose & Nozzle Assembly (Replaces 13790)	
		ABC 5 lb	
14	552005FG	Nozzle (Replaces 11161)	
		ABC 2½ lb	

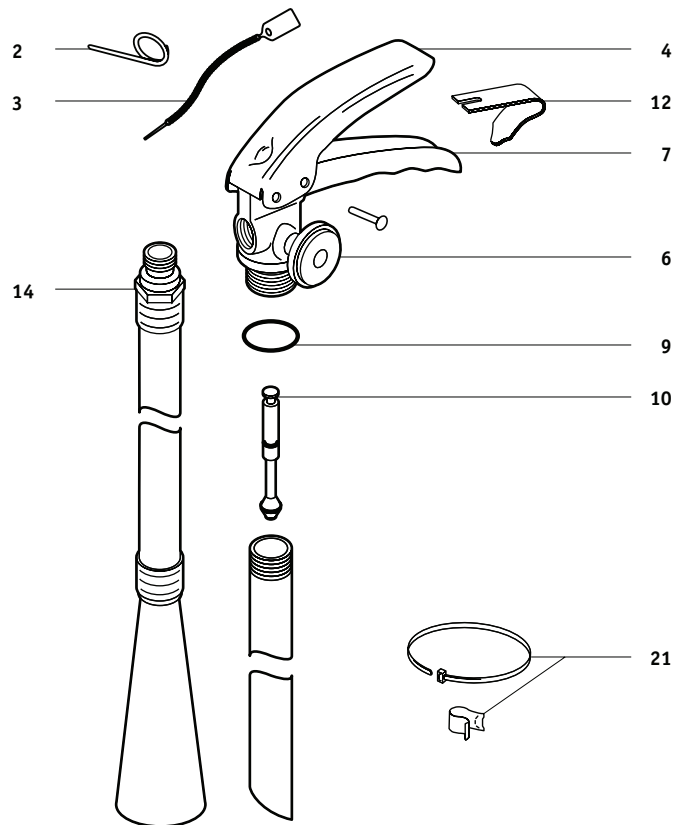
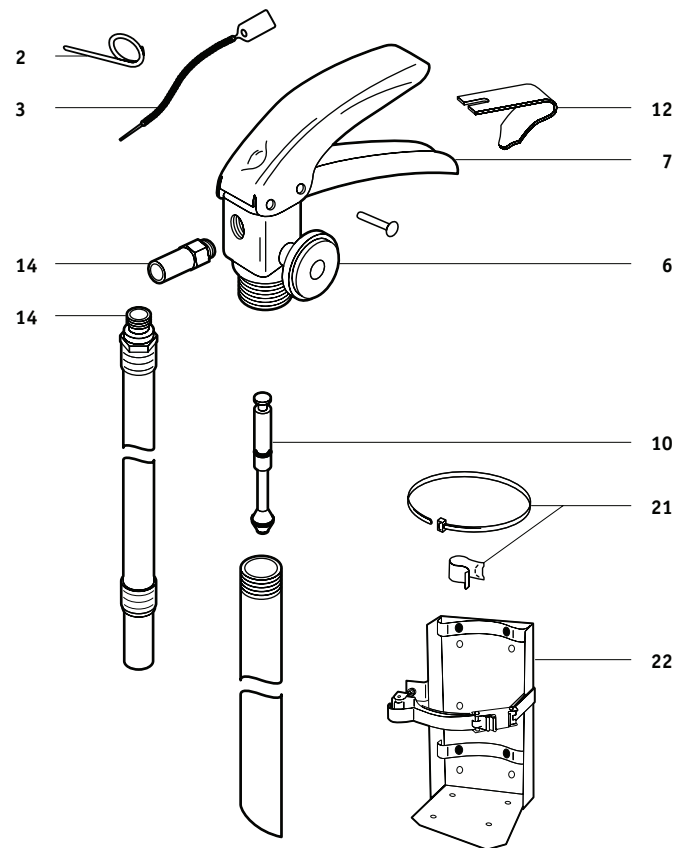
FIG.	P/N	ACCESSORY PART DESCRIPTION	EACH
21		Universal Hose Strap/Clip	SEE PAGE 218
		5 lb	
22	5DC	Heavy-Duty Vehicle Bracket	SEE PAGE 223
		5 lb	
N/S	AD21	Recharge Adapter	SEE PAGE 175
N/S	HTA20	Hydrostatic Test Adapter	SEE PAGE 179
	HL10063	Tool for 429162AS Removal	

## DRY CHEMICAL

10 - 30 lb G

FIG.	P/N	SERVICE & MAINTENANCE PART DESCRIPTION	EACH
2		Pull Pin	SEE PAGE 212
3		Tamper Seal	SEE PAGE 210
4	429163AS	Lever (Replaces 10515)	
6	G175	Gauge - 175	SEE PAGE 204
7	429160AS	Handle (Replaces 10444)	
9	429537AS	Collar O-Ring (Replaces 10513)	SEE PAGE 259
10	552144FG	Valve Stem (Replaces 10990 & 429538)	SEE PAGE 205
12	429162AS	Leaf Spring (Replaces 10426)	
14	551997FG	Hose & Nozzle Assembly (Replaces 13890)	
		ABC-10	

FIG.	P/N	ACCESSORY PART DESCRIPTION	EACH
21		Universal Hose Strap/Clip	SEE PAGE 218
N/S	AD24	Recharge Adapter	SEE PAGE 175
N/S	HTA7	Hydrostatic Test Adapter	SEE PAGE 179
	HL10063	Tool for 429162AS Removal	



HL10063





## WATER

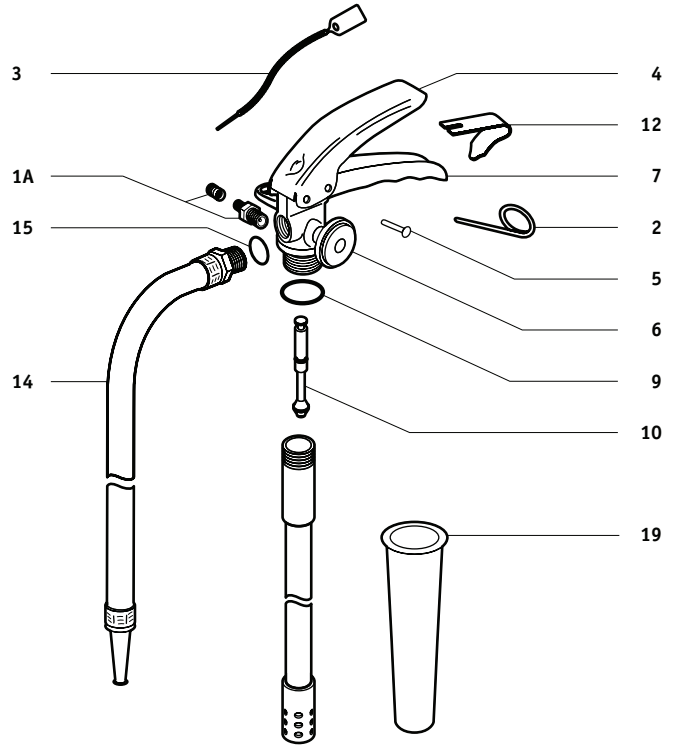
W02

## WET CHEMICAL

K01

FIG.	P/N	SERVICE & MAINTENANCE PART DESCRIPTION	EACH
2		Pull Pin	SEE PAGE 212
3		Tamper Seal	SEE PAGE 210
4	429163AS	Lever	
5	429165AS	Lever Rivet	
6	G100WS	Gauge - 100	SEE PAGE 204
7	429160AS	Handle	
9	429537AS	Collar O-Ring	
10	552144FG	Valve Stem Assembly (Replaces 429538)	SEE PAGE 205
12	429162AS	Leaf Spring	
14	430055AS	Hose & Nozzle Assembly K01	
N/S	426074AS	Nozzle Tip K01	
15	429544AS	Hose O-Ring	
19	429541AS	Fill Tube	

FIG.	P/N	ACCESSORY PART DESCRIPTION	EACH
21		Universal Hose Strap/Clip	SEE PAGE 218
22	15HB	Heavy-Duty Vehicle Bracket	SEE PAGE 223
N/S	WH20	Wall Hanger	SEE PAGE 220
N/S	552056FG	Service Manual	
	HL10063	Tool for 429162AS Removal	

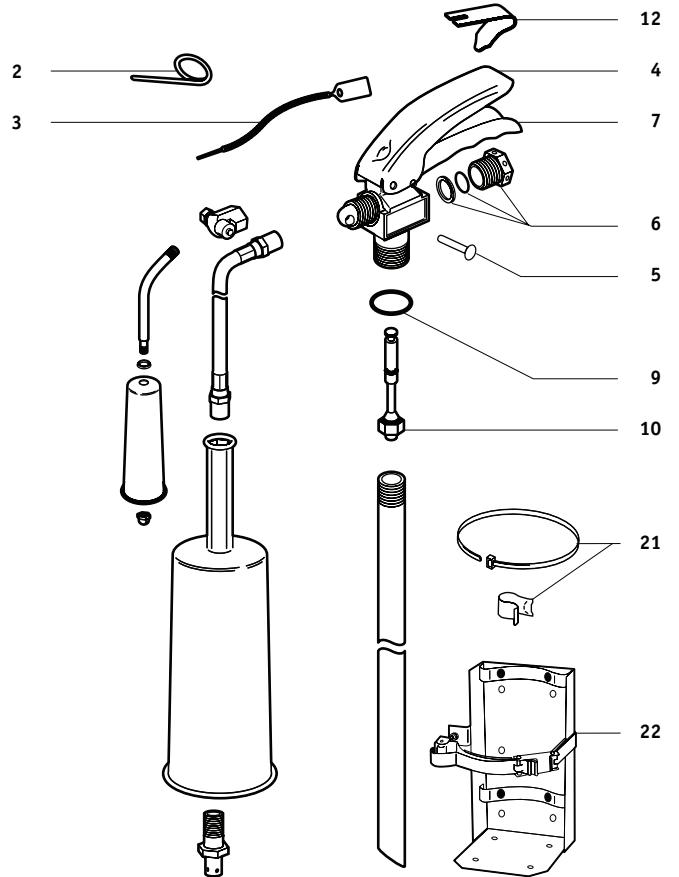


## CARBON DIOXIDE

CD05, CD05A, CD10, CD10A, CD15, CD15A, CD20, CD20A

FIG.	P/N	SERVICE & MAINTENANCE PART DESCRIPTION	EACH
2		Pull Pin, Stainless Steel	SEE PAGE 212
3		Tamper Seal	SEE PAGE 210
4	429163AS	Lever	
5	429165AS	Lever Rivet	
6	429515AS	Safety Disc, Gasket, & Nut Assembly	SEE PAGE 216
7	429160AS	Handle	
9	429170AS	Collar O-Ring	
10	429154AS	Valve Stem Assembly	SEE PAGE 207
12	429162AS	Leaf Spring	

FIG.	P/N	ACCESSORY PART DESCRIPTION	EACH
N/S	RDS15	Hose Strap 10, 15 lb Aluminum Cylinder	SEE PAGE 218
N/S	RDS20	Hose Strap 20 lb Aluminum Cylinder	SEE PAGE 218
N/S	RDBACLIP	Horn Clip All 10, 15, 20 lb	SEE PAGE 218
N/S	SET6	Hardware Set All 10, 15, 20 lb	SEE PAGE 218
N/S	BL209	Replacement Nameplate 5 lb (Non-UL) All 5 lb	SEE PAGE 159
N/S	BL210	Replacement Nameplate 10-20 lb (Non-UL) All 10, 15, 20 lb	SEE PAGE 159
N/S	WH5	Wall Hanger All 5 lb	SEE PAGE 220
N/S	WH15	Wall Hanger All 10, 15 lb	SEE PAGE 220
N/S	WH20	Wall Hanger All 20 lb	SEE PAGE 220
22	5HB	Heavy-Duty Vehicle Bracket All 5 lb	SEE PAGE 223
22	15HB	Heavy-Duty Vehicle Bracket All 10, 15 lb	SEE PAGE 223
22	20HB	Heavy-Duty Vehicle Bracket All 20 lb	SEE PAGE 223
	HL10063	Tool for 429162AS Removal	



HL10063



# 11 GENERAL - FIRE EXTINGUISHER PARTS

## DRY CHEMICAL

CP-2 1/2J, KCP-2 1/2J, TCP-2 1/2J, CP-5J, CP-5LH, TCP-5J, TCP-5JH, TCP-5LH, CP-10LH, TCP-10LH

## HALON 1211

GH-2 1/2J, GH-3J, GH-5J, GH-5JH

FIG.	P/N	SERVICE & MAINTENANCE PART DESCRIPTION	EACH
2		Pull Pin	SEE PAGE 212
3		Tamper Seal	SEE PAGE 210
6	G195	Gauge - 195	SEE PAGE 204
6	G125H	Gauge - 125 (Halon)	SEE PAGE 204
9	11178G*	Collar O-Ring	
14	39622G*	Nozzle	

FIG.	P/N	ACCESSORY PART DESCRIPTION	EACH
21		Universal Hose Strap/Clip	SEE PAGE 218
22	5DC	Heavy-Duty Vehicle Bracket	SEE PAGE 223
22	5HB	Heavy-Duty Vehicle Bracket	SEE PAGE 223
N/S	AD24	Recharge Adapter	SEE PAGE 175
N/S	HTA20	Hydrostatic Test Adapter	SEE PAGE 179
N/S	HTA7	Hydrostatic Test Adapter	SEE PAGE 179

\*WHILE QUANTITIES LAST!

## DRY CHEMICAL

GP-10F, TGP-10F, GP-20F, TGP-20F, TGP-10G, TGP-20G

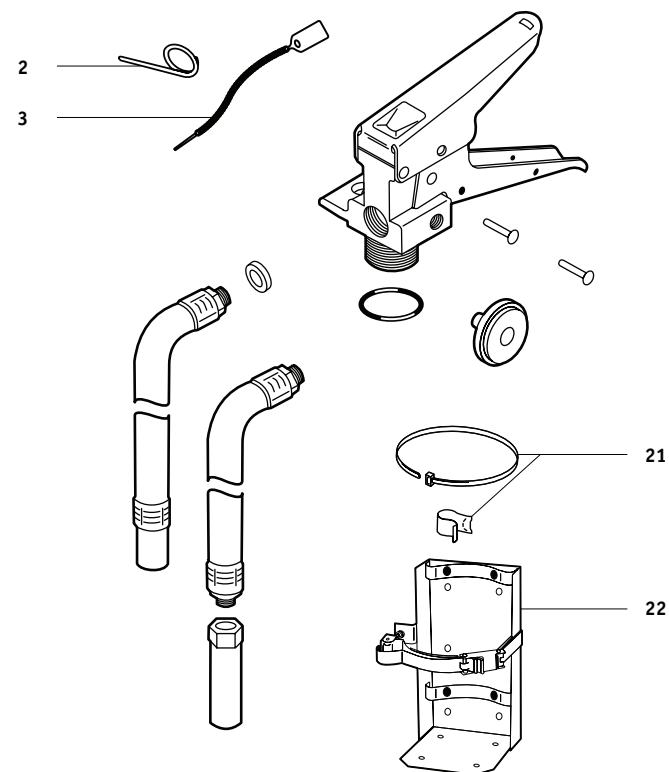
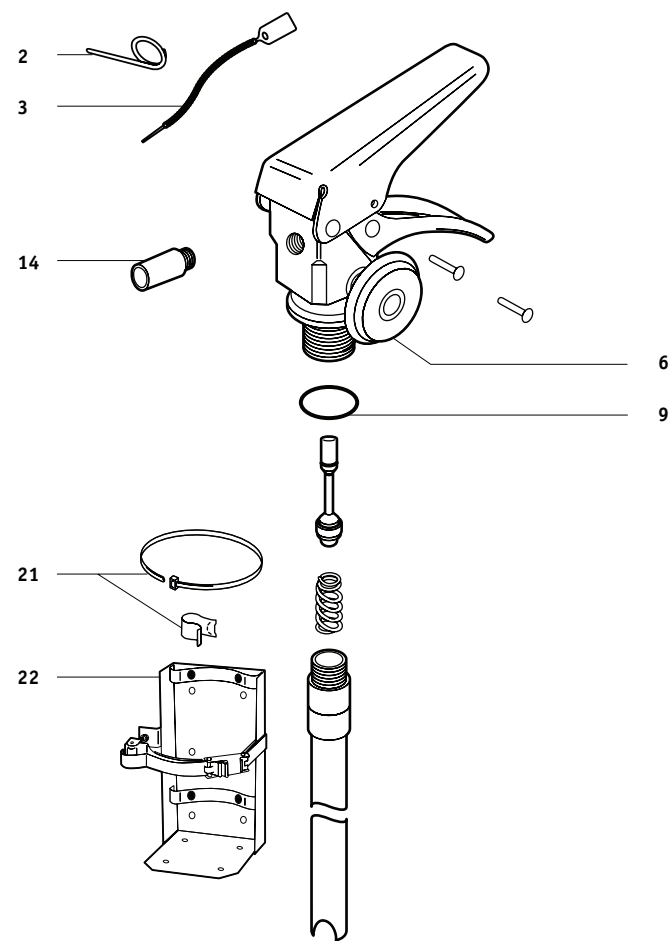
## HALON 1211

GH-9F, GH-13F, GH-17F, GH-20F

FIG.	P/N	SERVICE & MAINTENANCE PART DESCRIPTION	EACH
2		Pull Pin	SEE PAGE 212
3		Tamper Seal	SEE PAGE 210
6	G195	Gauge - 195	SEE PAGE 204

FIG.	P/N	ACCESSORY PART DESCRIPTION	EACH
21		Universal Hose Strap/Clip	SEE PAGE 218
N/S	WH5	Wall Hanger	SEE PAGE 220
22	5HB	Heavy-Duty Vehicle Bracket	SEE PAGE 223
22	15HB	Heavy-Duty Vehicle Bracket	SEE PAGE 223
N/S	AD24	Recharge Adapter	SEE PAGE 175
N/S	HTA5	Hydrostatic Test Adapter	SEE PAGE 179

\*WHILE QUANTITIES LAST!

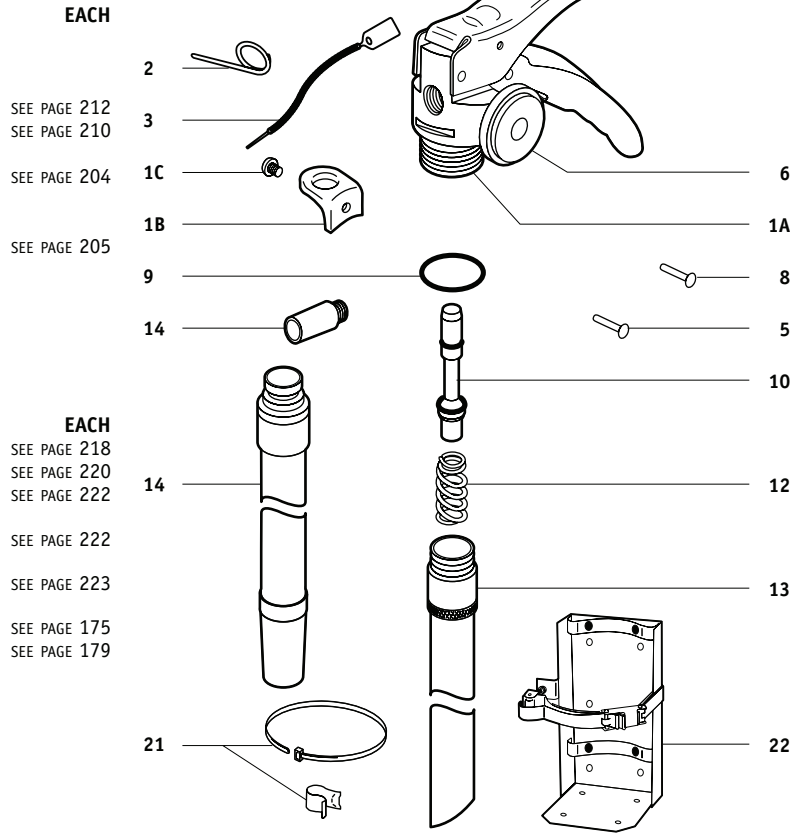


## DRY CHEMICAL

PROPLUS 2.5MP, 5MP

FIG.	P/N	SERVICE & MAINTENANCE PART DESCRIPTION
1A	19520B	Valve Body
1B	8516B	Hanger Loop
1C	19622B	Hanger Loop Screw
2		Pull Pin
3		Tamper Seal
5	18404B	Lever Rivet
6	G195	Gauge - 195
8	16517B	Handle Rivet
9	20745B	Collar O-Ring
10	19010B	Valve Stem
12	19393B	Spring
13	19825B	Siphon Tube
14	14816B	Nozzle
14	19548B	Hose & Nozzle Assembly

FIG.	P/N	ACCESSORY PART DESCRIPTION
21		Universal Hose Strap
N/S	WH5	Wall Hanger
N/S	MB250	Vehicle Bracket
N/S	MB5	Vehicle Bracket
22	5DC	Heavy-Duty Vehicle Bracket
N/S	AD21	Recharge Adapter
N/S	HTA45	Hydrostatic Test Adapter



SEE PAGE 212  
SEE PAGE 210

SEE PAGE 204

SEE PAGE 205

SEE PAGE 218  
SEE PAGE 220  
SEE PAGE 222

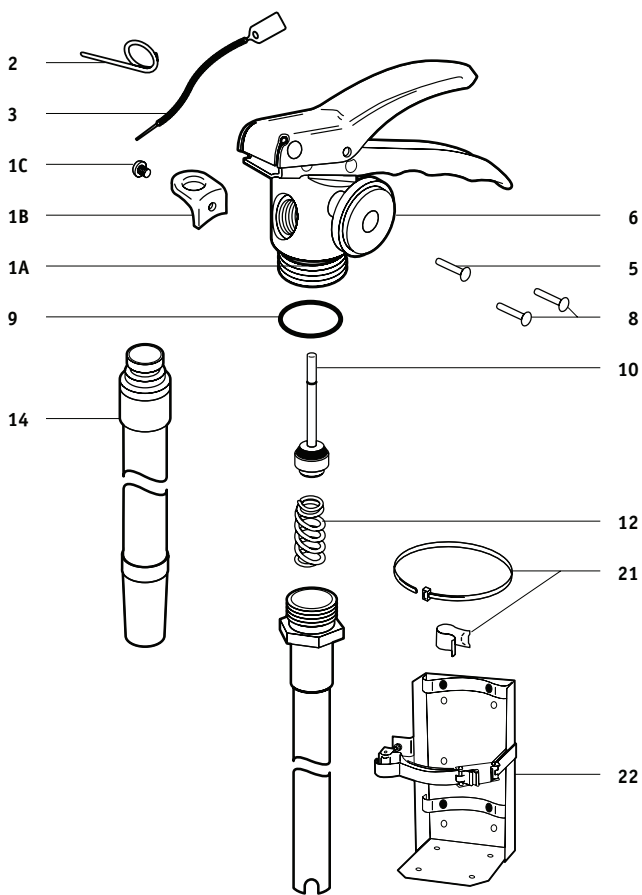
SEE PAGE 222

SEE PAGE 223

SEE PAGE 175  
SEE PAGE 179



# 11 KIDDE - FIRE EXTINGUISHER PARTS



## DRY CHEMICAL

PROPLUS 10MP, 20MP

FIG.	P/N	SERVICE & MAINTENANCE PART DESCRIPTION	EACH
1A	16459B	Valve Body	
1B	8516B	Hanger Loop	
1C	19622B	Hanger Loop Screw	
2		Pull Pin	SEE PAGE 212
3		Tamper Seal	SEE PAGE 210
5	16633B	Lever Rivet	
6	G195	Gauge - 195	SEE PAGE 204
8	4095B	Handle Rivet	
9	20746B	Collar O-Ring	
10	12426B	Valve Stem	SEE PAGE 205
12	7630B	Spring	
14	22601B	Hose & Nozzle Assembly	

FIG.	P/N.	ACCESSORY PART DESCRIPTION	EACH
21		Universal Hose Strap	SEE PAGE 218
N/S	WH5	Wall Hanger	SEE PAGE 220
		10MP	
N/S	WH15	Wall Hanger	SEE PAGE 220
		20MP	
22	5HB	Heavy-Duty Vehicle Bracket	SEE PAGE 223
		10MP	
22	15HB	Heavy-Duty Vehicle Bracket	SEE PAGE 223
		20MP	
N/S	AD24	Recharge Adapter	SEE PAGE 175
N/S	HTA44	Hydrostatic Test Adapter	SEE PAGE 179

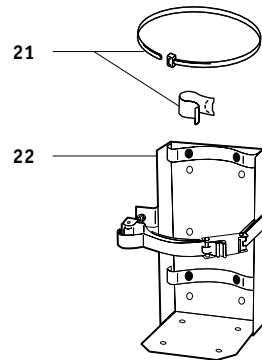
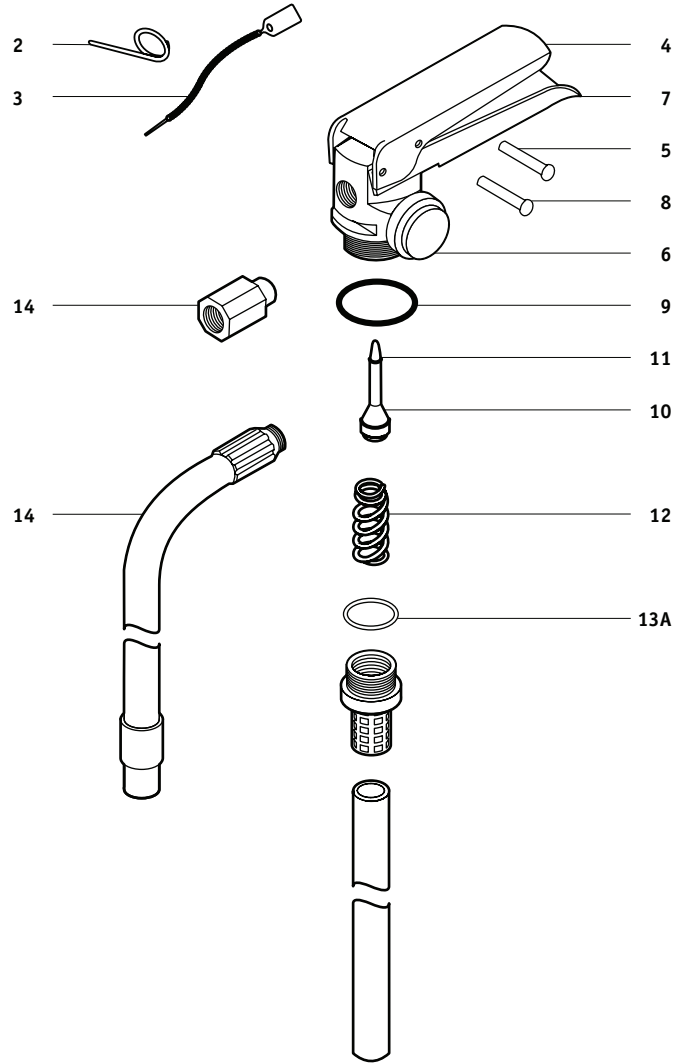


**DRY CHEMICAL**

PRO2.5TCM-8, PRO2.5TCM-6, PRO2.62TCM-5, PRO2.5MP, PRO2.75RM-6, PRO2.75RM-5, PRO2.75R, PRO4TCM-9, PRO4TCM-8, PRO4TCM-6, PRO4TCM-4, PRO4MP, PRO5TCM-8, PRO5TCM-6, PRO5TCM-4, PRO5MP, PRO6RM-4, PRO6R, PRO10TCM-9, PRO10TCM-8, PRO10TCM-6, PRO10TCM-5, PRO10TCM-4, PRO10MP, PRO10RM-5, PRO10RM-4, PRO10R, PRO10PKM-3, PRO10PK, PRO20TCM-9, PRO20TCM-8, PRO20TCM-6, PRO20TCM-5, PRO20TCM-4, PRO20MP, PRO20RM-5, PRO20RM-4, PRO20R, PRO20PKM-5, PRO20PKM-3, PRO20PK

FIG.	P/N	SERVICE & MAINTENANCE PART DESCRIPTION	EACH
2		Pull Pin	SEE PAGE 212
3		Tamper Seal	SEE PAGE 210
4	18363B	Lever	
5	18404B	Lever Rivet	
6	G100	Gauge - 100 2½-4 lb	SEE PAGE 204
6	G195	Gauge - 195 5-20 lb	SEE PAGE 204
7	18361B	Handle	
8	16517B	Handle Rivet	
9	320680K	Collar O-Ring	
9	340036K	Collar Seal (340035) All -8 and -9 models	
10	440068K	Valve Stem	SEE PAGE 206
11	259772K	Valve Stem O-Ring	
12	320732K	Spring	
13A	320167K	Siphon Tube O-Ring	
14	320337K	Nozzle	
14	440089K	Hose & Nozzle Assembly PRO2.62TCM-5, PRO2.5TCM-6, PRO2.5MP	
14	440330K	Hose & Nozzle Assembly PRO5TCM-4, PRO5MP PRO20TCM-5, PRO20MP	

FIG.	P/N	ACCESSORY PART DESCRIPTION	EACH
21		Universal Hose Strap/Clip	SEE PAGE 218
N/S	340357K	Wall Hanger All 2½-2¾ lb	SEE PAGE 220
N/S	340358K	Wall Hanger All 4-6 lb	SEE PAGE 220
N/S	340791K	Wall Hanger All 10 lb	SEE PAGE 220
22	5DC	Heavy-Duty Vehicle Bracket All 4-6 lb	SEE PAGE 223
22	5HB	Heavy-Duty Vehicle Bracket All 10 lb	SEE PAGE 223
22	15HBL	Heavy-Duty Vehicle Bracket All 20 lb	SEE PAGE 223
N/S	AD23	Recharge Adapter	
N/S	HTA45	Hydrostatic Test Adapter	SEE PAGE 179
N/S	HTA18	Hydrostatic Test Adapter	SEE PAGE 179



# 11 KIDDE - FIRE EXTINGUISHER PARTS

## DRY CHEMICAL (From 1991)

2 3/4RM-2, -3, -4, 2 5/8TCM-2, -3, -4, 4TCM-3, 5TCM-2, -3, 6RM-2, -3, 10RM-2, 10TCM-2, 20RM-2, -3, 20TCM-2, -3

## HALON 1211 (From 1991)

2.5HM-2, -3, 5HM-2, -3, 9HM-2, -3, 13HM-3, 17HM-2, 20HM-2

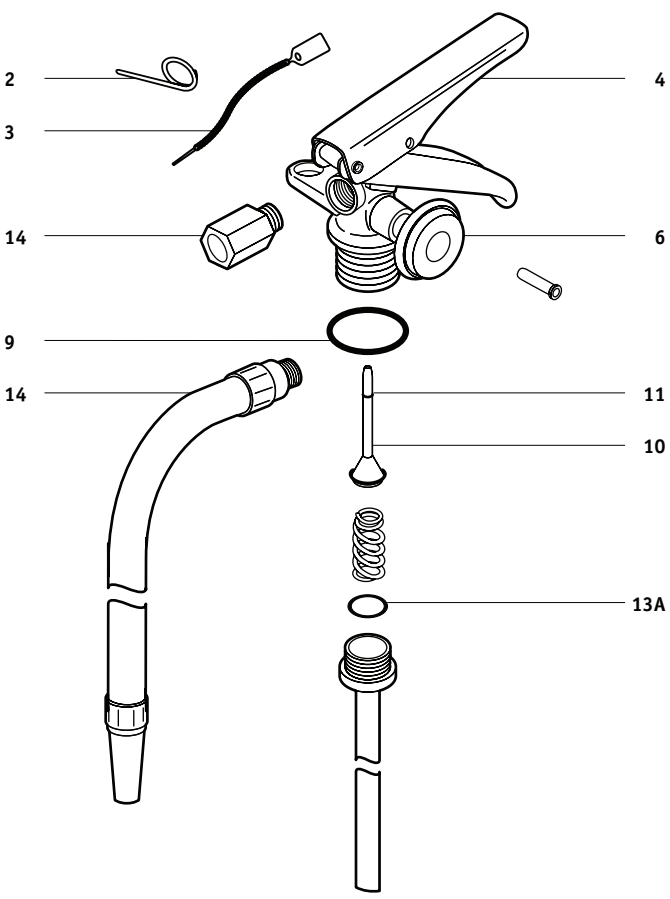
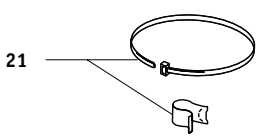


FIG.	P/N	SERVICE & MAINTENANCE PART DESCRIPTION	EACH
2		Pull Pin	SEE PAGE 212
3		Tamper Seal	SEE PAGE 210
4	300489K*	Lever (Replaces 320189) 2.62TCM-2, 2.75RM-2, 5TCM-2, All 10 - 20 lb	
6	G100	Gauge - 100	SEE PAGE 204
6	G195	Gauge - 195	SEE PAGE 204
6	G100H	Gauge - 100 (Halon)	SEE PAGE 204
6	G195H	Gauge - 195 (Halon)	SEE PAGE 204
9	340036K	Collar Seal (340035)	
10	440020K	Valve Stem	SEE PAGE 206
11	259772K	Valve Stem O-Ring	
13A	320167K	Siphon Tube O-Ring	
14	320337K	Nozzle 2.62 TCM-3	
14	440089K	Hose & Nozzle Assembly	

FIG.	P/N	ACCESSORY PART DESCRIPTION	EACH
21		Universal Hose Strap/Clip	SEE PAGE 218
N/S	1141K	Wall Hanger (Replaces 320075 & 320688K)	SEE PAGE 220
N/S	466400K	Vehicle Bracket (Replaces 896697)	SEE PAGE 222
N/S	466401K	Vehicle Bracket (Replaces 896698)	SEE PAGE 222
N/S	AD23	Recharge Adapter	
N/S	HTA18	Hydrostatic Test Adapter	SEE PAGE 179

\*WHILE QUANTITIES LAST!



**DRY CHEMICAL** (To 1991)

2 3/4RM, 2 5/8TCM, 5TCM, 6RM, 6TCM, 10RM, 10RM-1, 10TCM, 10TCM-1, 20RM, 20RM-1, 20TCM, 20TCM-1

**HALON 1211** (To 1991)

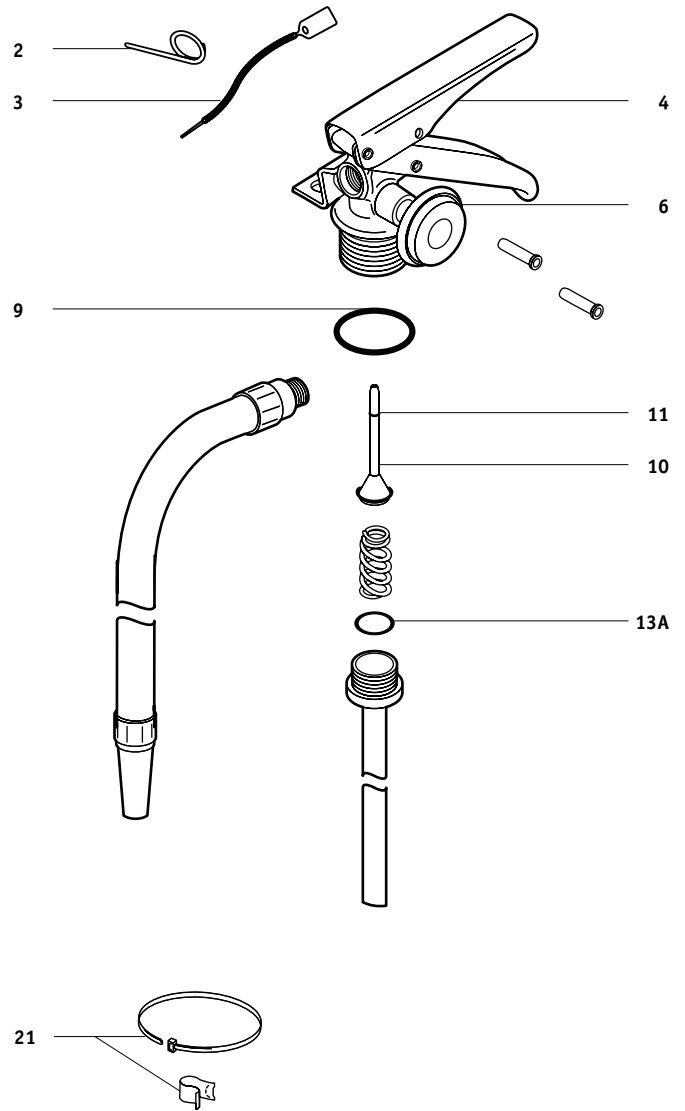
2.5HM, 5HM, 9HM, 13HM-1, 17HM-1, 20HM-1

**FIG. P/N SERVICE & MAINTENANCE PART DESCRIPTION**

2		Pull Pin	EACH
3		Tamper Seal	SEE PAGE 212
4	300489K	Lever (Replaces 320189) All 10-20 lb	SEE PAGE 210
6	G100	Gauge - 100 All 2 7/8-4 lb Dry Chemical	SEE PAGE 204
6	G195	Gauge - 195 All 5-20 lb Dry Chemical	SEE PAGE 204
6	G100H	Gauge - 100 (Halon) All 2 1/2-6 lb Halon	SEE PAGE 204
6	G195H	Gauge - 195 (Halon) All 9-20 lb Halon	SEE PAGE 204
9	340036K	Collar Seal (340035) All Dry Chemical, Halon, Except 10, 20 lb RM, RM-1, TCM, TCM-1, 17HM-1, 20HM-1	
9	340037K	Collar Seal 10-20 lb RM, RM-1, TCM, TCM-1	
10	440020K	Valve Stem All Dry Chemical	SEE PAGE 206
11	259772K	Valve Stem O-Ring All Dry Chemical	
13A	320167K	Siphon Tube O-Ring	

**FIG. P/N ACCESSORY PART DESCRIPTION**

21		Universal Hose Strap/Clip	EACH
N/S	1141K	Wall Hanger (Replaces 320075 & 320688K) 2-10 lb RM, TCM, 5-13 lb Halon	SEE PAGE 218
N/S	466400K	Vehicle Bracket (Replaces 896697) 6RM, 6TCM, 5TCM, 5HM, 9HM	SEE PAGE 220
N/S	466401K	Vehicle Bracket (Replaces 896698) 2 3/4RM, 2 5/8TCM, 2.5HM	SEE PAGE 222
N/S	AD35	Recharge Adapter	SEE PAGE 222
N/S	AD23	Recharge Adapter	SEE PAGE 175
N/S	HTA18	Hydrostatic Test Adapter	SEE PAGE 179
N/S	HTA5	Hydrostatic Test Adapter	SEE PAGE 179

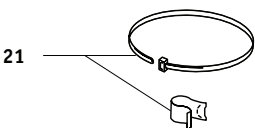
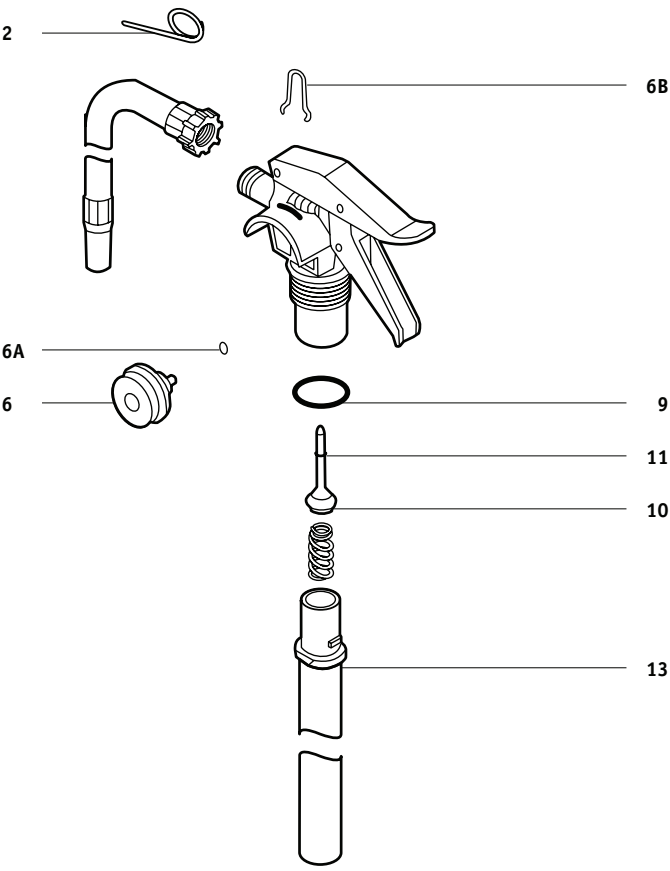


# 11 KIDDE - FIRE EXTINGUISHER PARTS

**DRY CHEMICAL**  
 XL5TCZ, 6#TAP, 2A40BC (w/ Hose), XL6RZ, 6#RAP, 40BC  
**HALON 1211**  
 AC-2.5

FIG.	P/N	SERVICE & MAINTENANCE PART DESCRIPTION	EACH
2	259057K	Pull Pin	SEE PAGE 212
6	293266K	Gauge - 195 Dry Chemical	SEE PAGE 204
6A	259535K	Gauge O-Ring Dry Chemical	SEE PAGE 204
6A	260613K	Gauge O-Ring Halon	
6B	259053K	Gauge Clip	SEE PAGE 204
9	340036K	Collar O-Ring All	
10	440007K	Valve Stem Halon	SEE PAGE 207
10	877546K	Valve Stem Dry Chemical	SEE PAGE 206
11	259772K	Valve Stem O-Ring Dry Chemical	
13	420042K	Siphon Tube Assembly 6#TAP, 2A40BC (w/ Hose), XL6RZ, 6#RAP, 40BC	

FIG.	P/N	ACCESSORY PART DESCRIPTION	EACH
21		Universal Hose Strap/Clip	SEE PAGE 218
N/S	293263K	Wall Hanger All, Except AC-2.5	SEE PAGE 220
N/S	466400K	Vehicle Bracket	SEE PAGE 222
N/S	AD32	Recharge Adapter	SEE PAGE 175
N/S	HTA18	Hydrostatic Test Adapter	SEE PAGE 179





### DRY CHEMICAL

XL2.5TCZ, XL2.5TCZ-3, 1A10BC, XL2.75RZ, XL2.75RZ-3, 10BC,  
EXT 2A40BC (w/ Nozzle), EXT6#BC

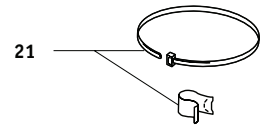
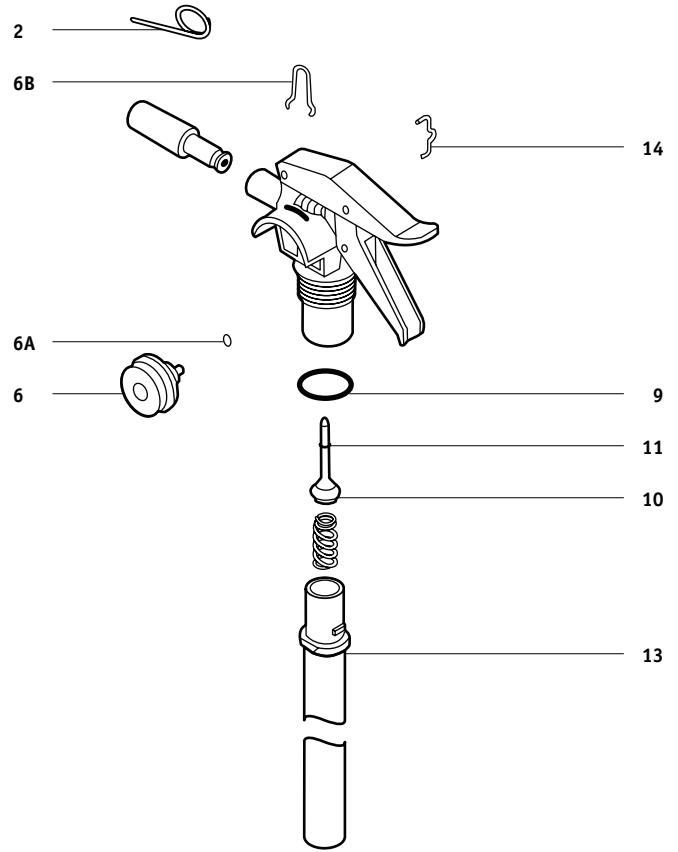
### HALON 1211

XL2.5HZ, HAL2.5, 12115BC, XL5HZ, HAL5A, XL9HZ, 9#HALON

FIG.	P/N	SERVICE & MAINTENANCE PART DESCRIPTION	EACH
		All, Except XL2.5TCZ-3, XL2.75RZ-3, XL9HZ, 9#HALON	
2	259057K	Pull Pin	SEE PAGE 212
6	293266K	Gauge - 195 EXT2A40BC, EXT6#BC	SEE PAGE 204
6	293789K	Gauge - 100 Dry Chemical, Except EXT2A40BC, EXT6#BC	SEE PAGE 204
6A	259535K	Gauge O-Ring Dry Chemical	SEE PAGE 204
6A	260613K	Gauge O-Ring Halon	
6B	259053K	Gauge Clip	SEE PAGE 204
9	340036K	Collar O-Ring All	
10	440007K	Valve Stem Halon	SEE PAGE 207
10	877546K	Valve Stem Dry Chemical	SEE PAGE 206
11	259772K	Valve Stem O-Ring Dry Chemical	
13	420042K	Siphon Tube Assembly EXT2A40BC, EXT6#BC	
14	259770K*	Nozzle Clip	

FIG.	P/N	ACCESSORY PART DESCRIPTION	EACH
21		Universal Hose Strap/Clip	SEE PAGE 218
N/S	293263K	Wall Hanger 5-6 lb	SEE PAGE 220
N/S	466400K	Vehicle Bracket 5-6 lb	SEE PAGE 222
N/S	466401K	Vehicle Bracket 2½-2¾ lb	SEE PAGE 222
N/S	AD27	Recharge Adapter	SEE PAGE 175
N/S	HTA18	Hydrostatic Test Adapter	SEE PAGE 179

\*WHILE QUANTITIES LAST!



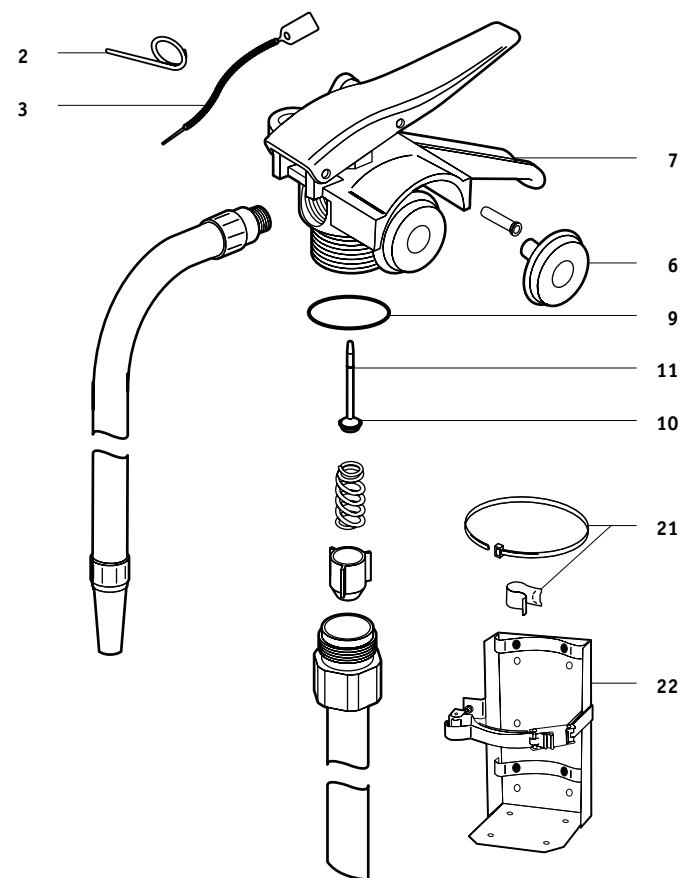
# 11 KIDDE - FIRE EXTINGUISHER PARTS

## DRY CHEMICAL

10RAS-3, -4, -5, -6, 10TAS-3, -4, -5, -6, 20RAS-3, -4, -5, -6, -7, 20TAS-3, -4, -5, -6, -7, 30RAS-3

FIG.	P/N	SERVICE & MAINTENANCE PART DESCRIPTION	EACH
2		Pull Pin	SEE PAGE 212
3		Tamper Seal	SEE PAGE 210
6	G195	Gauge - 195	SEE PAGE 204
6	G235	Gauge - 235	SEE PAGE 204
7	292602K	Handle	
9	340037K	Collar Seal	
9	64350218K	Collar O-Ring	
10	877546K	Valve Stem Assembly	SEE PAGE 206
11	259772K	Valve Stem O-Ring	

FIG.	P/N	ACCESSORY PART DESCRIPTION	EACH
21		Universal Hose Strap/Clip	SEE PAGE 218
N/S	WH5	Wall Hanger	SEE PAGE 220
22	5HB	Heavy-Duty Vehicle Bracket	SEE PAGE 223
22	15HB	Heavy-Duty Vehicle Bracket	SEE PAGE 223
N/S	AD34	Recharge Adapter	SEE PAGE 175
N/S	HTA5	Hydrostatic Test Adapter	SEE PAGE 179

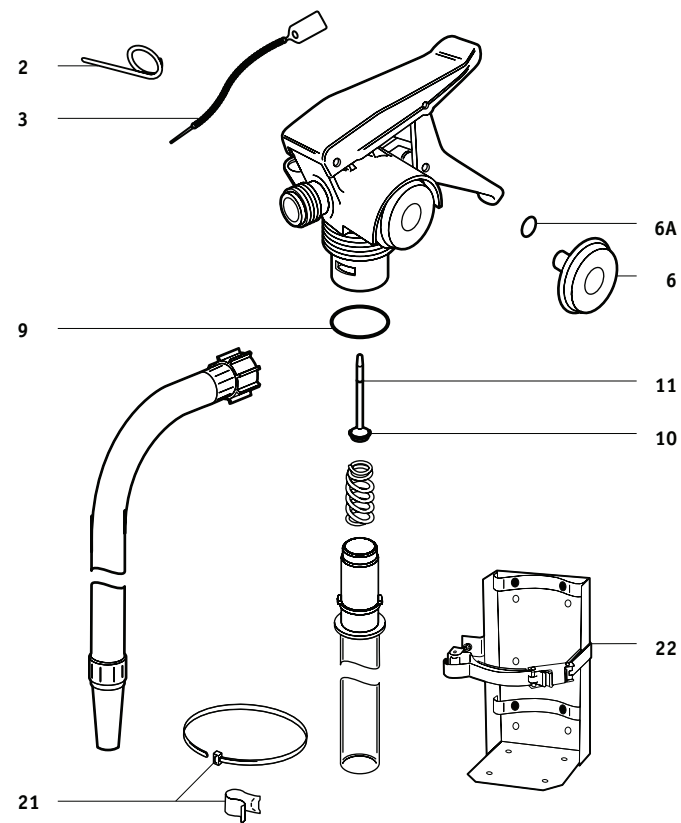


## DRY CHEMICAL

10TAP, 10RAP, XL10TCZ, XL10TCZ-2, XL10RZ, XL10RZ-2, FA460HD

FIG.	P/N	SERVICE & MAINTENANCE PART DESCRIPTION	EACH
2		Pull Pin	SEE PAGE 212
3		Tamper Seal	SEE PAGE 210
6	293266K	Gauge - 195	SEE PAGE 204
6A	259535K	Gauge O-Ring	SEE PAGE 204
9	340037K	Collar Seal	
10	877546K	Valve Stem	SEE PAGE 206
11	259772K	Valve Stem O-Ring	

FIG.	P/N	ACCESSORY PART DESCRIPTION	EACH
21		Universal Hose Strap/Clip	SEE PAGE 218
N/S	WH5	Wall Hanger	SEE PAGE 220
22	5HB	Vehicle Bracket	SEE PAGE 223
N/S	AD32	Recharge Adapter	SEE PAGE 175
N/S	HTA39	Hydrostatic Test Adapter	SEE PAGE 179



## CARBON DIOXIDE

5CDM, 5KS-3, 10CDM, 10KS-3, 15CDM, 15KS-3, 15KS-4, 20CDM, 20KS-4

FIG.	P/N	SERVICE & MAINTENANCE PART DESCRIPTION
2		Pull Pin
3		Tamper Seal
6B	260299K	Safety Disc
6C	258443K	Safety Disc Gasket
7	293312K	Handle
9	320130K	Collar O-Ring
17C	213885K	Push Nut

FIG.	P/N	ACCESSORY PART DESCRIPTION
N/S	RDS15	Strap 10, 15 lb
N/S	RDS20	Strap 20 lb
N/S	RDBACLIP	Horn Clip 10-20 lb
N/S	SET6	Hardware Set 10-20 lb
N/S	BL209	Replacement Nameplate (Non-UL) 5 lb
N/S	BL210	Replacement Nameplate (Non-UL) 10-20 lb
N/S	WH5	Wall Hanger 5 lb
N/S	WH15	Wall Hanger 10, 15 lb
N/S	WH20	Wall Hanger 20 lb
22	5HB	Heavy-Duty Vehicle Bracket 5 lb
22	15HB	Heavy-Duty Vehicle Bracket 10, 15 lb
22	20HB	Heavy-Duty Vehicle Bracket 20 lb

**EACH**  
SEE PAGE 212  
SEE PAGE 210  
SEE PAGE 216  
SEE PAGE 216

**EACH**  
SEE PAGE 218  
SEE PAGE 218  
SEE PAGE 218

SEE PAGE 218

SEE PAGE 218

SEE PAGE 159

SEE PAGE 159

SEE PAGE 220

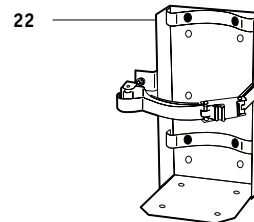
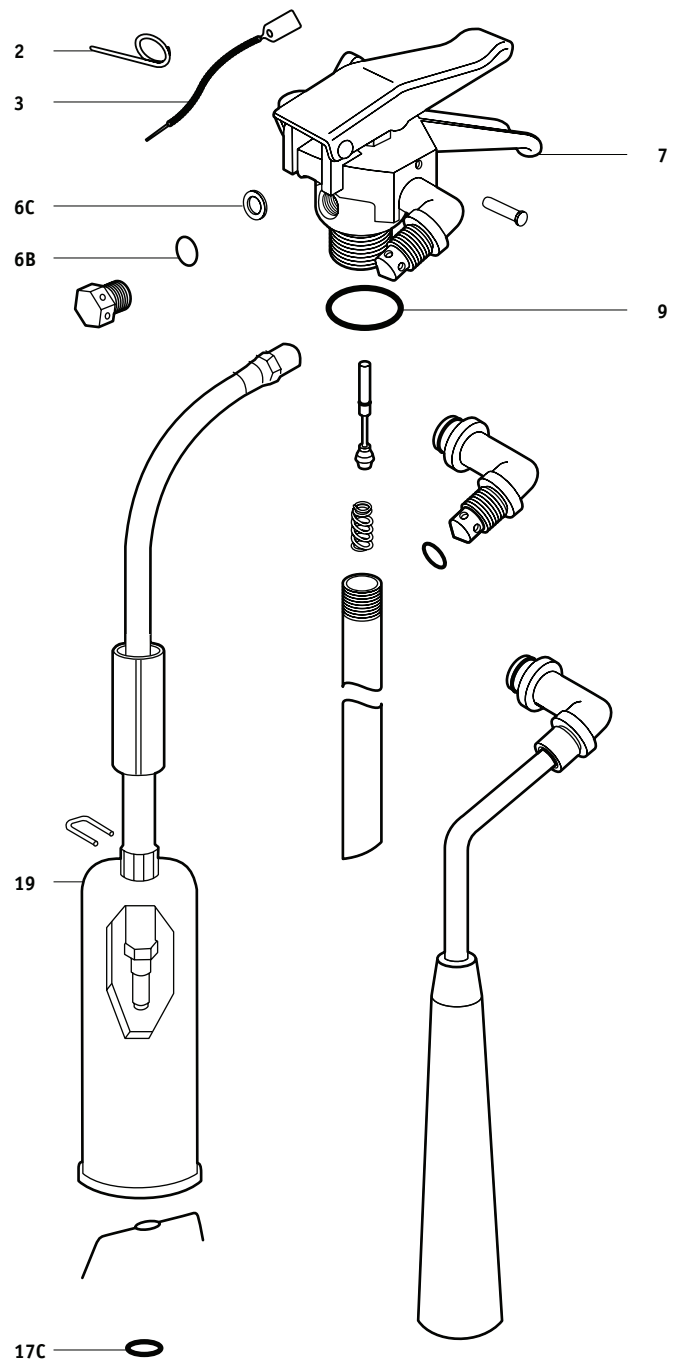
SEE PAGE 220

SEE PAGE 220

SEE PAGE 223

SEE PAGE 223

SEE PAGE 223



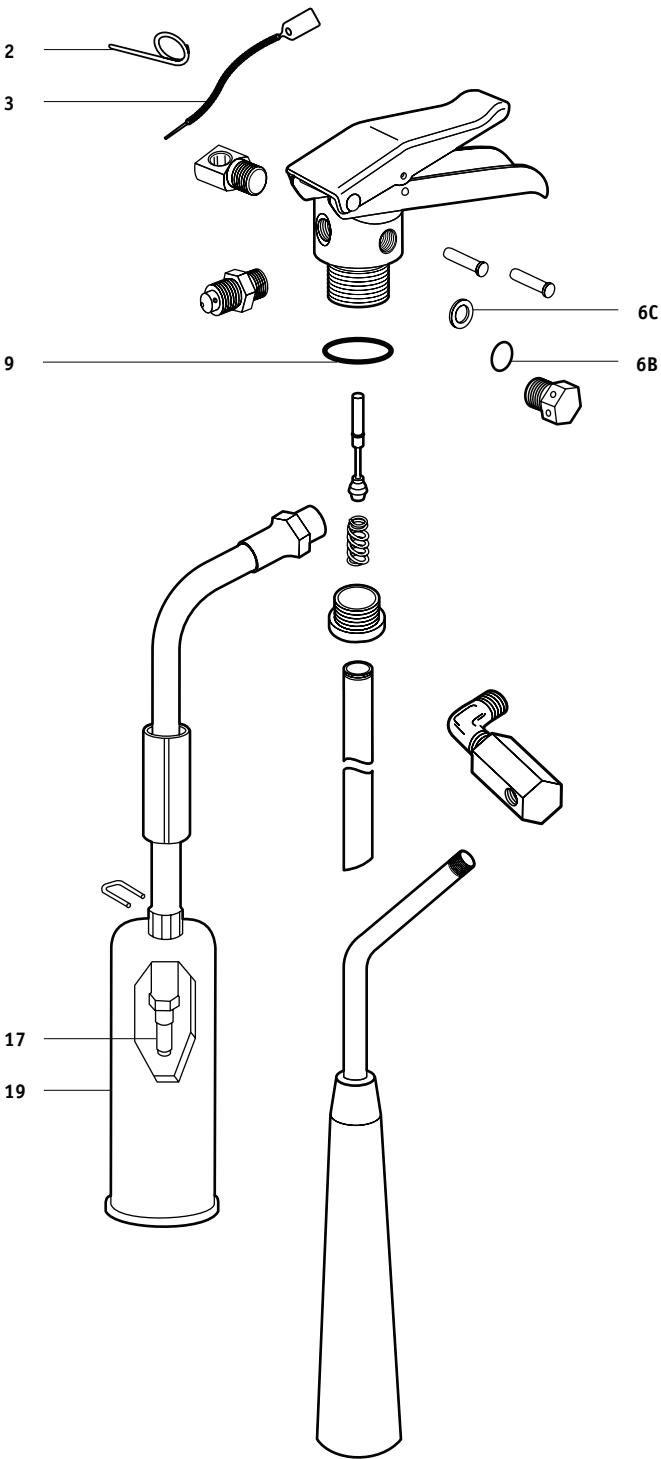
# 11 KIDDE - FIRE EXTINGUISHER PARTS

## CARBON DIOXIDE

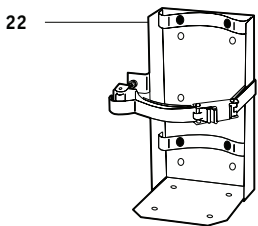
5CDM-1, 5CDM-2, 10CDM-1, 10CDM-2, 15CDM-1, 15CDM-2, 20CDM-1, 20CDM-2

FIG.	P/N	SERVICE & MAINTENANCE PART DESCRIPTION	EACH
2		Pull Pin	SEE PAGE 212
3		Tamper Seal	SEE PAGE 210
6B	260299K	Safety Disc	SEE PAGE 216
6C	258443K	Safety Disc Gasket	SEE PAGE 216
9	320130K	Collar O-Ring	SEE PAGE 216

FIG.	P/N	ACCESSORY PART DESCRIPTION	EACH
N/S	RDS15	Strap All 10, 15 lb	SEE PAGE 218
N/S	RDS20	Strap 20 lb	SEE PAGE 218
N/S	RDBACLIP	Horn Clip 10-20 lb	SEE PAGE 218
N/S	SET6	Hardware Set 10-20 lb	SEE PAGE 218
N/S	BL209	Replacement Nameplate (Non-UL) 5 lb	SEE PAGE 159
N/S	BL210	Replacement Nameplate (Non-UL) 10, 15, 20 lb	SEE PAGE 159
N/S	WH5	Wall Hanger 5 lb	SEE PAGE 220
N/S	WH15	Wall Hanger 10, 15 lb	SEE PAGE 220
N/S	WH20	Wall Hanger 20 lb	SEE PAGE 220
22	5HB	Heavy-Duty Vehicle Bracket 5 lb	SEE PAGE 223
22	15HB	Heavy-Duty Vehicle Bracket 10, 15 lb	SEE PAGE 223
22	20HB	Heavy-Duty Vehicle Bracket 20 lb	SEE PAGE 223



Carbon Dioxide Pro CDM-3 Models with "Model B-9" Valves manufactured by Badger, see page 251.



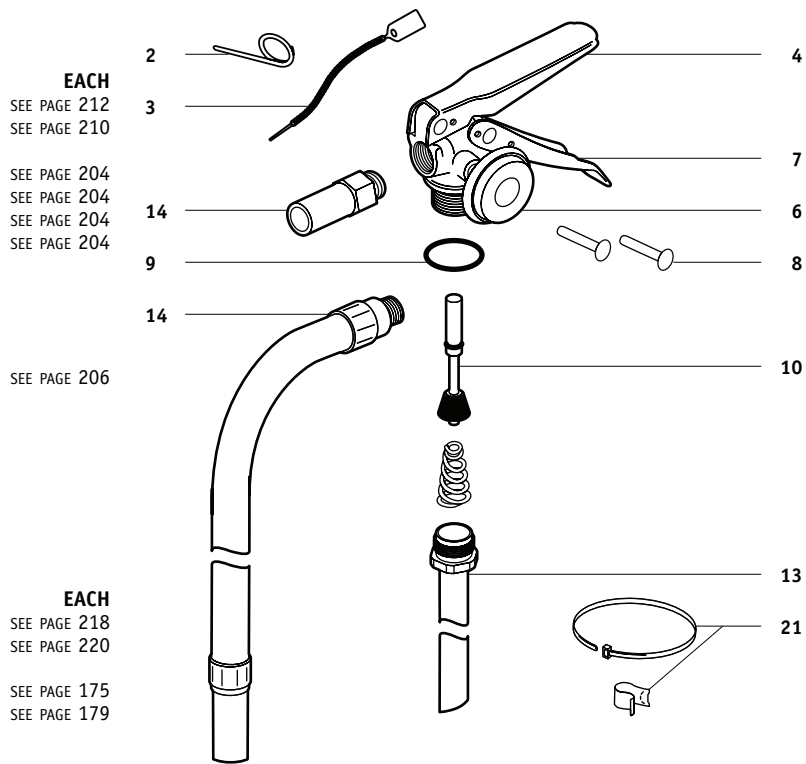
## DRY CHEMICAL

PA27ABC, PA27BC, PA25PK, PA50-2ABCH, PA57ABCH, PA50-2BC, PA50PKH, PA57PKH, PA100ABC, PA100BC, PA T-100ABC, PA T-100BC

## HALON 1211

PA-H2.5, PA-H3, PA-H5.5, PA-H10, PA-H14

FIG.	P/N	SERVICE & MAINTENANCE PART DESCRIPTION	EACH
2		Pull Pin, Stainless Steel	SEE PAGE 212
3		Tamper Seal	SEE PAGE 210
4	S1NPA	Lever (PA100-2)	
6	G150	Gauge - 150	SEE PAGE 204
6	G175	Gauge - 175	SEE PAGE 204
6	G195	Gauge - 195	SEE PAGE 204
6	G195H	Gauge - 195 (Halon)	SEE PAGE 204
7	L2NPA	Handle (PA100-3A)	
8	S1RPA	Rivet (PA100-19)	
9	S3PA	Collar O-Ring (PA100-10)	
10	S4PA	Valve Stem Assembly (PA100-4)	SEE PAGE 206
13	S7PA	Siphon Tube (PA100-11-2-M)	
14	S10EPA	Hose & Nozzle Assembly (PA100-14-2)	
14	S10FPA	Hose & Nozzle Assembly (PA100-14-4)	
14	S10APA	Hose & Nozzle Assembly (PA50-15-3P)	
<b>ACCESSORY PART DESCRIPTION</b>			
21		Universal Hose Strap/Clip	SEE PAGE 218
N/S	WB1PA	Wall Hanger	SEE PAGE 220
N/S	AD21	Recharge Adapter	SEE PAGE 175
N/S	HTA21	Hydrostatic Test Adapter	SEE PAGE 179



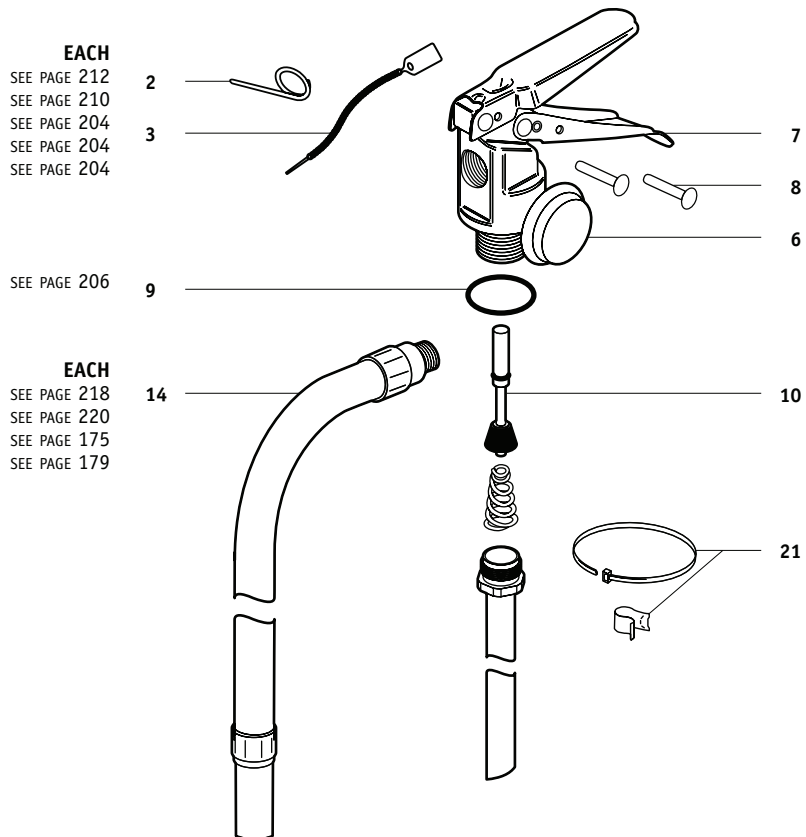
## DRY CHEMICAL

PA200ABC, PA200BC, PA200PK

## HALON 1211

PA-H17, PA-H20

FIG.	P/N	SERVICE & MAINTENANCE PART DESCRIPTION	EACH
2		Pull Pin, Stainless Steel	SEE PAGE 212
3		Tamper Seal	SEE PAGE 210
6	G150	Gauge - 150	SEE PAGE 204
6	G195	Gauge - 195	SEE PAGE 204
6	G195H	Gauge - 195 (Halon)	SEE PAGE 204
7	L2NPA	Handle (PA100-3A)	
8	S1RPA	Rivet (PA100-19)	
9	L3PA	Collar O-Ring (PA100-10-1)	
10	L4PA	Valve Stem Assembly (PA200-4)	SEE PAGE 206
14	L11PA	Hose & Nozzle Assembly (PA200-14-1)	
<b>ACCESSORY PART DESCRIPTION</b>			
21		Universal Hose Strap/Clip	SEE PAGE 218
N/S	WB2PA	Wall Hanger	SEE PAGE 220
N/S	AD24	Recharge Adapter	SEE PAGE 175
N/S	HTA7	Hydrostatic Test Adapter	SEE PAGE 179



# 11 STRIKE FIRST - FIRE EXTINGUISHER PARTS

## DRY CHEMICAL (Large Valve)

SF-5, SF-5HP, SF-10, SF-20

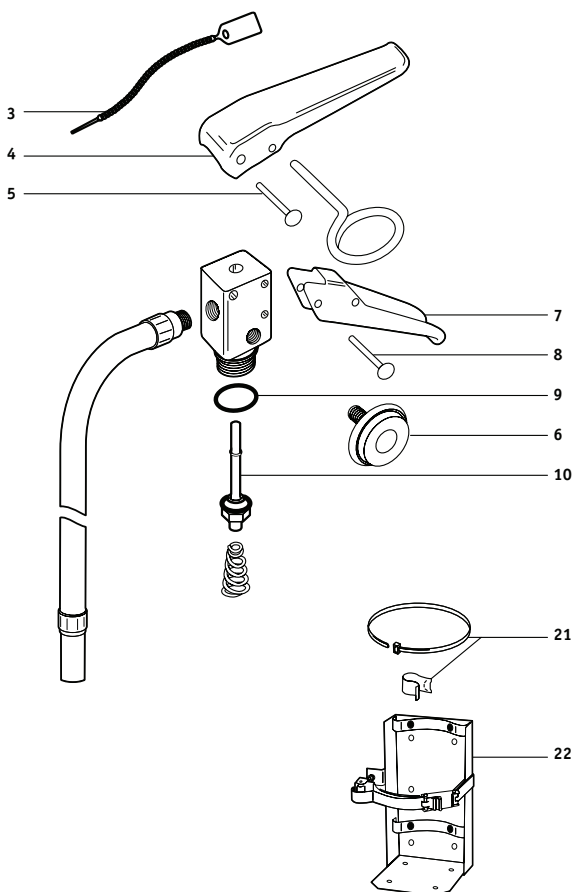


FIG.	PART NO.	SERVICE & MAINTENANCE PART DESCRIPTION	EACH
3		Tamper Seal	SEE PAGE 210
4	160414SF	Lever 5-20 lb	
5	162803SF	Lever Rivet	
6	G195	Gauge - 195 5 lb	SEE PAGE 204
6	G235	Gauge - 235 10-20 lb	SEE PAGE 204
7	160396SF	Handle 5-10 lb	
7	160395SF	Handle 20 lb	
8	162803SF	Handle Rivet	
9	161345SF	Collar O-Ring	
10	161428SF	Valve Stem	SEE PAGE 206
14	161605SF	Hose & Nozzle Assembly SF - 5	
FIG. 21		ACCESSORY PART DESCRIPTION	EACH
21		Universal Hose Strap	SEE PAGE 218
22	5DC	Heavy-Duty Vehicle Bracket 5 lb	SEE PAGE 223
N/S	AD24	Recharge Adapter	SEE PAGE 175
N/S	HTA7	Hydrostatic Test Adapter	SEE PAGE 179

## DRY CHEMICAL (Small Valve)

SF-2.5, SF-5 and SF-5HP

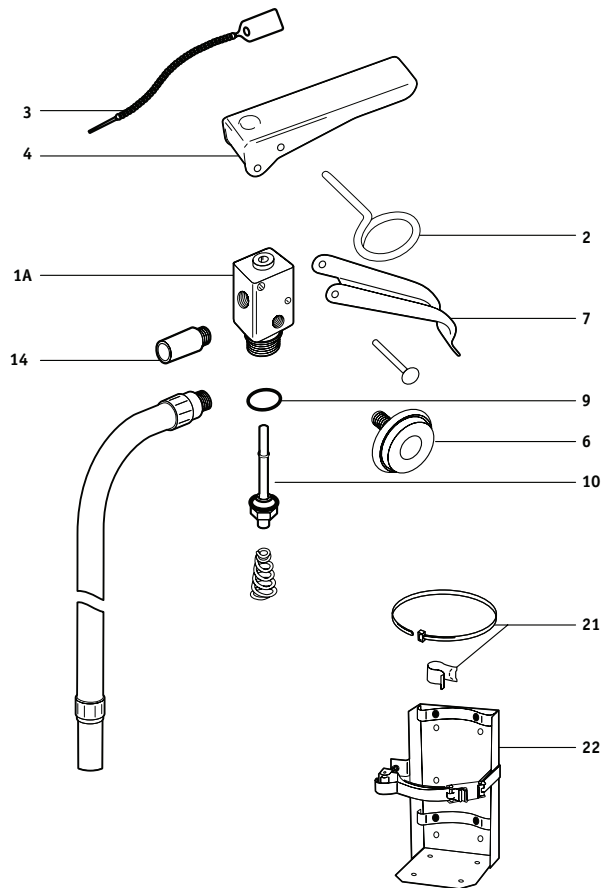


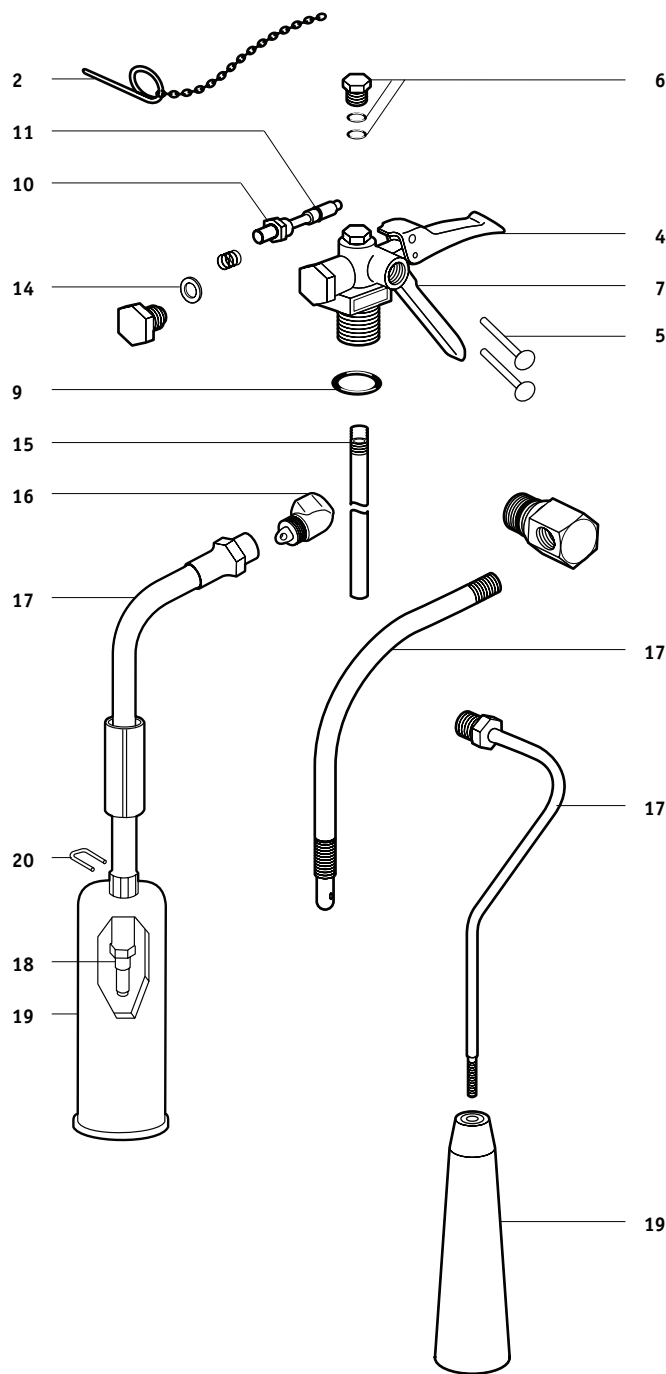
FIG.	PART NO.	SERVICE & MAINTENANCE PART DESCRIPTION	EACH
2		Pull Pin	SEE PAGE 212
3		Tamper Seal	SEE PAGE 210
4	110414SF	Lever 2.5 lb	
6	G150	Gauge - 150 2½ lb	SEE PAGE 204
6	G195	Gauge - 195 5 lb	SEE PAGE 204
7	110396SF	Handle	
9	110345SF	Collar O-Ring	
10	110427SF	Valve Stem	SEE PAGE 206
FIG. 21		ACCESSORY PART DESCRIPTION	EACH
21		Universal Hose Strap	SEE PAGE 218
N/S	AD23	Recharge Adapter	
22	5DC	Heavy-Duty Vehicle Bracket 5 lb	SEE PAGE 223



## CARBON DIOXIDE FIRE EXTINGUISHER VALVES

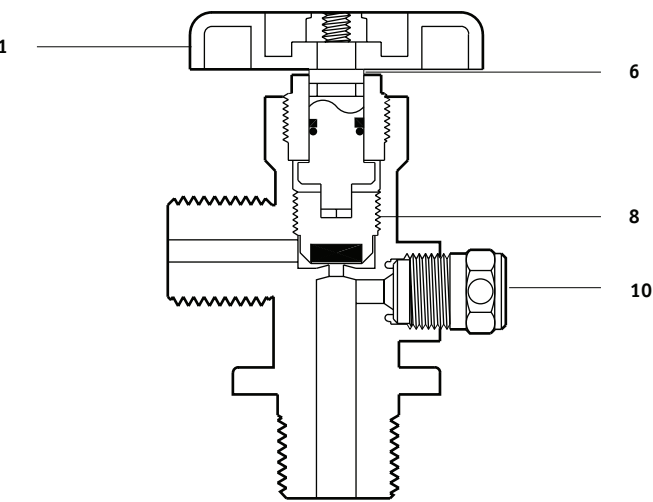
5 - 20 lb Brooks (BECO), Fyr-Fyter, C-0-TWO, RS, Superior, BHV50, BHV100

FIG	P/N	DESCRIPTION	EACH
2	NPPS	Pull Pin, Stainless Steel BECO, RS, Superior	SEE PAGE 212
4	RS0102	Lever (P5970-8S) BECO, RS, Superior	
4	4BHV	Lever BHV50, BHV100	
5	RV10	Lever Rivet BECO	
5	RS0103	Lever Roll Pin (P5970-6S) RS, Superior	
5	5BHV	Lever and Handle Rivet Set BHV50, & BHV100	
6	RS5	Safety Disc, Washer & Nut Assembly RS	SEE PAGE 216
6	16ASV	Safety Disc (P1200-16AS) Superior Military-Style Extinguisher	SEE PAGE 216
6	C16SV	Safety Disc (P5970-16S) Superior 5-20 lb	SEE PAGE 216
6	C15SV	Washer (P6038A-15SB) Superior 5-20 lb	SEE PAGE 216
6	50116F	Washer Fyr-Fyter, C-0-Two	SEE PAGE 216
6	50115F	Safety Disc Fyr-Fyter, C-0-Two	SEE PAGE 216
6	6BHV	Safety Disc, Washer & Nut Assembly BHV50, BHV100	
7	PSH4	Handle BECO	
7	RS0104	Handle (P6037-12SS) RS, Superior	
7	7BHV	Handle BHV50, BHV100	
8	RV81	Handle Rivet (P6037-4SPS), Pkg/50 BECO, RS, Superior	SEE PAGE 209
9	OR295	Collar O-Ring RS PSH-A, PSH-5AL	SEE PAGE 208
10	PSH6	Valve Stem BECO	
10	418682AS	Valve Stem (P5970-21SB, RS-0108) RS, Superior	SEE PAGE 207
10	10BHV	Valve Stem BHV50, BHV100	
11	OR4	Valve Stem O-Ring BECO, RS, Superior	SEE PAGE 208
12	12BHV	Spring BHV50, BHV100	
14	RS0110	Copper Seal, Lead Coated, Pkg/10 BECO, RS	
14	14BHV	Copper Seal BHV50, BHV100	
15		Siphon Tube	SEE PAGE 215
16	EL250	1/4" Elbow & Diffuser All 10-20 lb	SEE PAGE 214
16	EL375	3/8" Elbow & Diffuser All 10-20 lb	SEE PAGE 214
N/S	DCT	Discharge Tube BECO, Fyr-Fyter, C-0-Two 2 1/2-5 lb	SEE PAGE 214
17	SW50	Swivel Discharge Assembly RS, Superior, BHV50 2 1/2-5 lb	SEE PAGE 213
17		Hose Assembly All 10-20 lb	SEE PAGE 217
18	RDN	Diffuser All 10-20 lb	SEE PAGE 216
19	STB114	Horn 5 lb w/ Diffuser in Discharge Tube	SEE PAGE 216
19	RDH10	Horn w/ Handle 10 lb	SEE PAGE 216
19	RDH15	Horn w/ Handle 15-20 lb	SEE PAGE 216
20	RDC	Diffuser Clip 10-20 lb	SEE PAGE 216



# 11 SHERWOOD - FIRE EXTINGUISHER PARTS

## "GLOBAL" SERIES



## SHERWOOD CARBON DIOXIDE & NITROGEN COMMERCIAL VALVES

GV Series "Global" Industrial Valves

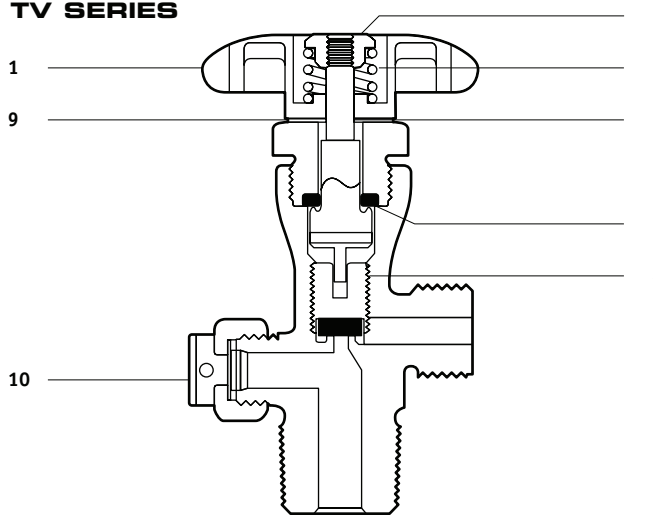
FIG.	P/N	SERVICE & MAINTENANCE PART DESCRIPTION	EACH
1	A1919GV	Hand Wheel, Aluminum	
1	L1919GV	Hand Wheel, Plastic	
6	30101GV	Bonnet & Operating Stem Assembly	
8	A1440GV	Lower Stem & Seat Insert Assembly Carbon Dioxide	
10	N928GV	Safety Plug, Disc & Gasket Carbon Dioxide (For DOT 1800 cylinders)	
10	N932GV	Safety Plug, Disc & Gasket Nitrogen (For DOT 2015 cylinders)	
N/S	OR39	Collar O-Ring GV Valves w/ Straight Threads for Aluminum Cylinders	SEE PAGE 208

## SHERWOOD CARBON DIOXIDE & NITROGEN COMMERCIAL VALVES

TV Series Industrial Valves

FIG.	P/N	SERVICE & MAINTENANCE PART DESCRIPTION	EACH
1	1401TV	Hand Wheel, Metal	
1	L1401TV	Hand Wheel, Plastic	
2	1003TV	Hand Wheel Nut, Pkg/10	
5	1012TV	Hand Wheel Spring	
6	5030TV	Operating Stem	
7	5006TV	Packing	
8	5040TV	Lower Stem & Seat Insert Assembly	
9	1413TV	Hand Wheel Gasket (Fibre)	
10	928TV	Safety Cap, Disc & Gasket Carbon Dioxide (For DOT 1800 Cylinders)	
10	932TV	Safety Cap, Disc & Gasket Nitrogen (For DOT 2015 Cylinders)	
N/S	OR39	Collar O-Ring TV Valves w/ Straight Threads for Aluminum Cylinders	SEE PAGE 208

## TV SERIES

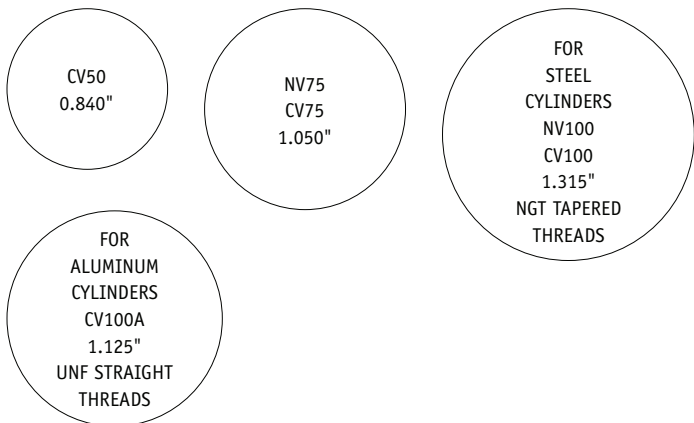


## SHERWOOD CARBON DIOXIDE & NITROGEN COMMERCIAL VALVES

All Sherwood Carbon Dioxide & Nitrogen Commercial Valves

FIG.	P/N	SERVICE & MAINTENANCE PART DESCRIPTION	EACH
N/S	PC1	Plastic Thread Protector Fits CGA-320 Outlet on Carbon Dioxide Valves	SEE PAGE 215
N/S	NITA	Adapter (Valve to Regulator) CGA-580 for Nitrogen Valves	SEE PAGE 172
N/S	C017	Nut (Valve to Regulator) CGA-320 for Carbon Dioxide Valves	SEE PAGE 176
N/S	C013	Nipple (Valve to Regulator) CGA-320 for Carbon Dioxide Valves	SEE PAGE 176
N/S	COMB	Adapter for Siphon Tube Will Not Work w/ 1/2" Valves or 50ST Siphon Tubes	SEE PAGE 215
N/S	15ST	Siphon Tube (21 <sup>1</sup> / <sub>8</sub> " Must Be Cut to Correct Length	SEE PAGE 215

Assembly Torques  
Packing Nut 70–80 ft-lb  
Safety Assembly 30–40 ft-lb





## SUPERIOR CARBON DIOXIDE & NITROGEN COMMERCIAL VALVES

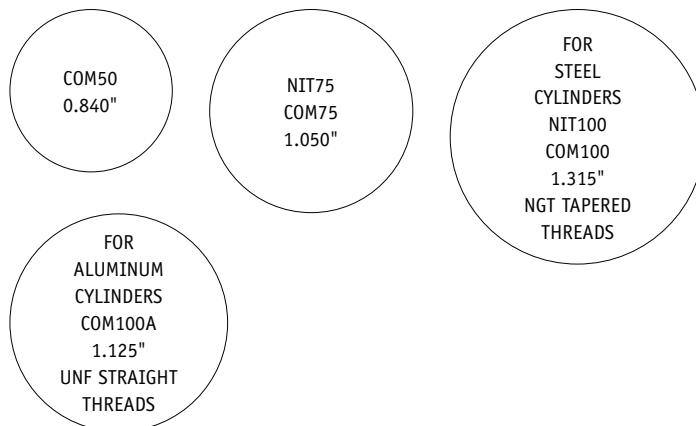
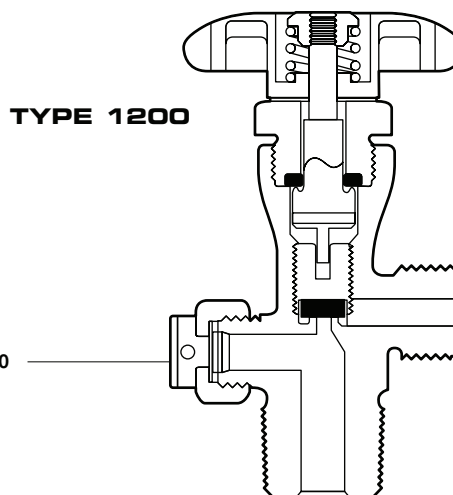
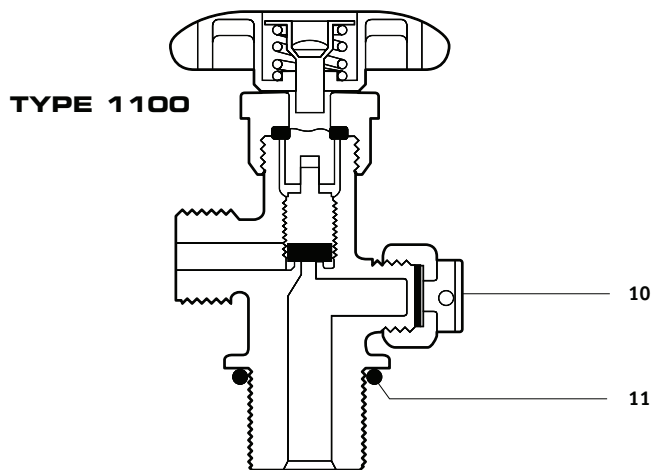
Type 1100 (COM50, COM75, COM100, COM100A, NIT75, NIT100)

Type 1200 (Older Style)

FIG.	P/N	SERVICE & MAINTENANCE PART DESCRIPTION	EACH
10	16ASV	Safety Disc Only Carbon Dioxide (For DOT 1800 Cylinders)	SEE PAGE 216
10	15SV	Safety Gasket	SEE PAGE 216
11	OR39	Collar O-Ring Type 1100 w/ Straight Threads for Aluminum Cylinders	SEE PAGE 208

FIG.	P/N	ACCESSORY PART DESCRIPTION	EACH
N/S	PC1	Plastic Thread Protector Fits CGA-320 Outlet on Carbon Dioxide Valves	SEE PAGE 215
N/S	NITA	Adapter (Valve to Regulator) CGA-580 for Nitrogen Valves	SEE PAGE 172
N/S	CO17	Nut (Valve to Regulator) CGA-320 for Carbon Dioxide Valves	SEE PAGE 176
N/S	CO13	Nipple (Valve to Regulator) CGA-320 for Carbon Dioxide Valves	SEE PAGE 176
N/S	COMB	Adapter for Siphon Tube Will Not Work w/ 1/2" Valves or 50ST Siphon Tubes	SEE PAGE 215
N/S	15ST	Siphon Tube (21 1/8") Must Be Cut to Correct Length	SEE PAGE 215

Assembly Torques    Packing Nut 50 ft-lb  
 Safety Assembly 35-40 ft-lb



## BUCKEYE - DRY CHEMICAL

1<sup>1</sup>/<sub>8</sub>" Valves 1975 to 1984 & 1<sup>1</sup>/<sub>4</sub>" Valves Prior to 1975

P/N	DESCRIPTION	EACH
WVS13	Valve Stem Dry Chemical 1 <sup>1</sup> / <sub>8</sub> " Valve (After Oct. 1975)	SEE PAGE 205
WVS15	Valve Stem Dry Chemical 1 <sup>1</sup> / <sub>4</sub> " Valve (Prior to Oct. 1975)	SEE PAGE 205
115240W*	Siphon Tube 18 <sup>7</sup> / <sub>8</sub> "	
117240W*	Siphon Tube 21"	
700207W	Wall Hanger	SEE PAGE 220
AD23	Recharge Adapter	
HTA7	Hydrostatic Test Adapter	

## FYR-FYTER, BUFFALO, PYRENE, C-O-TWO -DRY CHEMICAL & WATER

P/N	DESCRIPTION	EACH
G40	Collar Gasket Dry Chemical, Water	SEE PAGE 208
OR24	Collar Gasket Water	SEE PAGE 208
OR28	Collar Gasket 5-20 lbs	SEE PAGE 208
OR34	Collar Gasket 20-30 lb Heavy Duty	SEE PAGE 208
FVS19*	Valve Stem 2M, 6M, 10M, 10H	SEE PAGE 205
FVS21	Valve Stem D/C & Newer Models 20S, 20M, 20H	SEE PAGE 205
OR30	Siphon Tube O-ring Heavy Duty	SEE PAGE 208
AV1	Air Valve Assembly 2 <sup>1</sup> / <sub>2</sub> Gal Water	
109942F*	Wall Hanger 5-6 lb Dry Chemical	SEE PAGE 220
AD29	Recharge Adapter	

## GENERAL - WATER/ LOADED STREAM

WS-900, LS-900

P/N	DESCRIPTION	EACH
G100WS	Gauge - 100	SEE PAGE 204
AV1	Air Valve Assembly	
HTA10	Hydrostatic Test Adapter	

## KIDDE - DRY CHEMICAL

10RAS-1, -2, 10TAS-1, -2, 10KAS-1, 20RAS-1, -2, 20KAS-1, 30RAS-1, -2

P/N	DESCRIPTION	EACH
292602K	Handle	
OR30	Collar O-Ring	SEE PAGE 208
KVS47	Valve Stem Assembly (844210 Obsolete)	SEE PAGE 206
AD34	Recharge Adapter	
HTA5	Hydrostatic Test Adapter	

## KIDDE - DRY CHEMICAL

10-30 lb Brass Valve

P/N	DESCRIPTION	EACH
OR315	Collar O-Ring	SEE PAGE 208
KVS46	Valve Stem Assembly	SEE PAGE 206
AD25	Recharge Adapter	

## KIDDE - CARBON DIOXIDE

5-20 lb Brass Valve

P/N	DESCRIPTION	EACH
KDP	Double Point Pin	SEE PAGE 212
260299K	Safety Disc	SEE PAGE 216
202208K	Wall Hanger 5 lb	SEE PAGE 220

\*WHILE QUANTITIES LAST

## KIDDE - WATER

WPPN

P/N	DESCRIPTION	EACH
OR4	Seat O-Ring	SEE PAGE 208
OR5	Gauge O-Ring	SEE PAGE 208
OR33	Collar O-Ring	SEE PAGE 208
OR8	Hose O-Ring	SEE PAGE 208
HTA14	Hydrostatic Test Adapter	

## POWER-PACK-DRY CHEMICAL

P/N	DESCRIPTION	EACH
RV33	Lever & Handle Rivet	SEE PAGE 209
OR37	Collar O-Ring	SEE PAGE 208
PVS50*	Valve Stem	
5502P	Wall Hanger 5 lb	SEE PAGE 221
1010P	Wall Hanger 10 lb	SEE PAGE 221
AD24	Recharge Adapter	
HTA7	Hydrostatic Test Adapter	

## PYRONAUTS-DRY CHEMICAL

P/N	DESCRIPTION	EACH
RV59	Lever & Handle Rivet	SEE PAGE 209
OR20	Collar O-Ring	SEE PAGE 208
PNVS51	Valve Stem	SEE PAGE 206
AD23	Recharge Adapter	
HTA7	Hydrostatic Test Adapter	

## STOP-FIRE-DRY CHEMICAL

P/N	DESCRIPTION	EACH
OR21	Collar O-Ring HV1	SEE PAGE 208
OR27	Collar O-Ring HV6	SEE PAGE 208
OR295	Collar O-Ring HV2, HV3	SEE PAGE 208
OR333	Cylinder O-Ring HV2, HV3	SEE PAGE 208
YVS57*	Valve Stem HV1	SEE PAGE 206
YVS58*	Valve Stem HV2, HV3, HV6	SEE PAGE 206

## STRIKE FIRST - DRY CHEMICAL

P/N	DESCRIPTION	EACH
SFPP	Pull Pin	SEE PAGE 212
RV80	Lever & Handle Rivet	SEE PAGE 209
160396SF*	Handle (metal) Newer models	
OR20	Collar O-Ring (161345 Obsolete)	SEE PAGE 208
SFVS61	Valve Stem Pre-1988	SEE PAGE 206
AD24	Recharge Adapter	
HTA7	Hydrostatic Test Adapter	

\*WHILE QUANTITIES LAST

