



We witnessed the advances in...

extinguisher design, which eventually led to the removal of all pre-1984 stored pressure dry chemical extinguishers from service.



11 FIRE EXTINGUISHER PARTS

GAUGES

DRY CHEMICAL GAUGES. UL listed.

P/N	DESCRIPTION
G100	100 lb Dry Chemical Gauge
G125	125 lb Dry Chemical Gauge
G150	150 lb Dry Chemical Gauge
G175	175 lb Dry Chemical Gauge
G195	195 lb Dry Chemical Gauge
G235	235 lb Dry Chemical Gauge
G240	240 lb Dry Chemical Gauge
G350	350 lb Dry Chemical Gauge
G360	360 lb Dry Chemical Gauge



G100 (FRONT)



G100 (SIDE VIEW)



293266K (FRONT)



293266K (SIDE VIEW)

DRY CHEMICAL GAUGES. Kidde. UL listed.

P/N	DESCRIPTION
293789K	100 lb Kidde Dry Chemical Gauge
293266K	195 lb Kidde Dry Chemical Gauge
259535K	Kidde Gauge O-Ring (Plastic Valve)
259053K	Kidde Gauge Clip
One Required for Each Gauge	



PG009RC (FRONT)



PG009RC (SIDE VIEW)

DRY CHEMICAL GAUGES. RC Ind. UL listed.

P/N	DESCRIPTION
PG009RC	195 lb RC Ind. Dry Chemical Gauge
OR7	O-Ring
For RC Ind. Gauge	



G100H (FRONT)



G100H (SIDE VIEW)

CLEAN AGENT GAUGES. UL listed.

P/N	DESCRIPTION
G100H	100 lb Halon 1211 Gauge
G125H	125 lb Halon 1211 Gauge
G195H	195 lb Halon 1211 Gauge
G100T	100 lb Halotron I Gauge
G125T	125 lb Halotron I Gauge



G100WS (FRONT)



G100WS (SIDE VIEW)

WATER-BASED EXTINGUISHER GAUGES. UL listed.

P/N	DESCRIPTION
G100WS	100 lb Water, Foam, & Loaded Stream Gauge
G100K	100 lb Wet Chemical Gauge



GWRENCH

Steel **GAUGE WRENCH** is designed specifically for removing and attaching most gauges. Cold-rolled plated steel, 3/16" thick.

P/N	DESCRIPTION	EACH
GWRENCH	Gauge Wrench	

VALVE STEMS

DRY CHEMICAL VALVE STEMS. Amerex. Pkg/5
(priced each).

P/N	DESCRIPTION
6092A	Amerex Valve Stem ♦
6093A	Amerex Valve Stem ♦



6092A



6093A

DRY CHEMICAL VALVE STEMS. Ansul. Pkg/5
(priced each).

P/N	DESCRIPTION
ASVS4	Valve Stem (24489) ♦ <i>Compare to Ansul Sentry</i>
ASVS5	Valve Stem (54227) ♦ <i>Compare to Ansul Sentry</i>
429099AS	Ansul® Sentry® Valve Stem
428431AS	Ansul Sentry Valve Stem



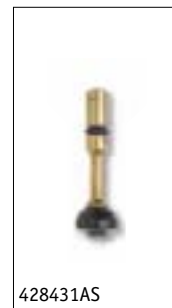
ASVS4



ASVS5



429099AS



428431AS

DRY CHEMICAL VALVE STEMS. Badger. Pkg/5
(priced each).

P/N	DESCRIPTION
12426B	Badger Valve Stem ♦
19010B	Badger Valve Stem ♦
23389B	Badger Valve Stem ♦



12426B



19010B



23389B

DRY CHEMICAL VALVE STEMS. Buckeye. Pkg/5
(priced each).

P/N	DESCRIPTION
103215W	Buckeye Valve Stem ♦
WVS13	Buckeye Valve Stem (100214)
WVS15	Buckeye Valve Stem (106214)



103215W



WVS13



WVS15

DRY CHEMICAL VALVE STEMS. Flag. Pkg/5
(priced each).

P/N	DESCRIPTION
552144FG*	Flag Valve Stem (old 429538AS) ♦
552143FG*	Flag Valve Stem (old 552013FG) ♦

*WHILE QUANTITIES LAST!



552144FG



552143FG

DRY CHEMICAL VALVE STEMS. Fyr-Fyter. Pkg/5
(priced each).

P/N	DESCRIPTION
FVS19*	Fyr-Fyter Valve Stem (125558)
FVS21	Fyr-Fyter Valve Stem (109438)

*WHILE QUANTITIES LAST!



FVS19



FVS21

♦ Item in Valve Stem Kit (VSKIT), see page 225.

Ansul® and Sentry® are registered marks of Tyco Fire Products LP.

11 FIRE EXTINGUISHER PARTS



DRY CHEMICAL VALVE STEMS. Kidde. Pkg/5 (priced each).

P/N	DESCRIPTION
440020K	Kidde Pro-Line Valve Stem ♦
440068K	Kidde Valve Stem ♦
877546K	Kidde Valve Stem ♦
KVS46*	Kidde Valve Stem (843704)
KVS47*	Kidde Valve Stem (844210)

*WHILE QUANTITIES LAST!



DRY CHEMICAL VALVE STEMS. Pem All, Pyronauts, and RC Ind. Pkg/5 (priced each).

P/N	DESCRIPTION
L4PA*	Pem All Valve Stem
S4PA*	Pem All Valve Stem (S4)
PNVS51*	Pyronauts Valve Stem (106)
RCVS54*	RC Ind. Valve Stem (LR006)

*WHILE QUANTITIES LAST!



DRY CHEMICAL VALVE STEMS. Strike First. Pkg/5 (priced each).

P/N	DESCRIPTION
SFVS61*	Strike First Valve Stem (161427)
110427SF	Strike First Valve Stem ♦
161428SF	Strike First Valve Stem ♦

*WHILE QUANTITIES LAST!



PRESSURIZED WATER VALVE STEMS. Amerex, Badger, Fyr-Fyter, and General. Pkg/5 (priced each).

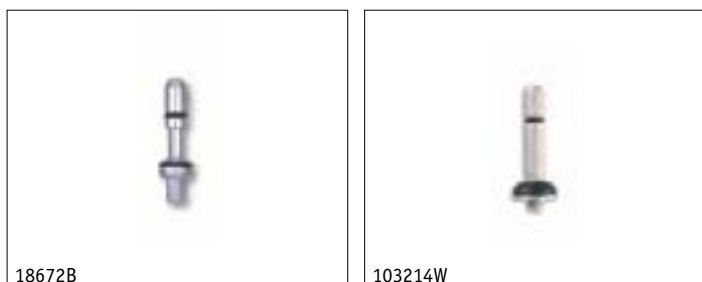
P/N	DESCRIPTION
6093A	Amerex Valve Stem ♦
12426B	Badger Valve Stem ♦
FVS21	Fyr-Fyter Valve Stem (109438)
7328G*	General Valve Stem

*WHILE QUANTITIES LAST!



HALON VALVE STEMS. Amerex and Ansul. Pkg/5 (priced each).

P/N	DESCRIPTION
6092A	Amerex Valve Stem ♦
6093A	Amerex Valve Stem ♦
ASVS4	Valve Stem (24489) ♦ Compare to Ansul Sentry



HALON VALVE STEMS. Badger and Buckeye. Pkg/5 (priced each).

P/N	DESCRIPTION
18672B	Badger Valve Stem
103214W	Buckeye Valve Stem

♦ Item in Valve Stem Kit (VSKIT), see page 225.

Ansul® is a registered mark of Tyco Fire Products LP.

HALON VALVE STEMS. Kidde and Pem All. Pkg/5

(priced each).

P/N	DESCRIPTION
440007K	Kidde Valve Stem
L4PA*	Pem All Valve Stem
S4PA*	Pem All Valve Stem

*WHILE QUANTITIES LAST!



HALON VALVE STEMS. RC Ind. and Strike 1st. Pkg/5

(priced each).

P/N	DESCRIPTION
RCVS54*	RC Ind. Valve Stem (LR006)
SFVS61*	Strike 1st Valve Stem (161427)

*WHILE QUANTITIES LAST!



CO₂ VALVE STEMS. Amerex, Ansul, Badger, Buckeye, RS, and Superior. Pkg/5 (priced each).

P/N	DESCRIPTION
1539A	Amerex Valve Stem
418682AS	Ansul® Valve Stem
5558B	Badger Valve Stem
20981B	Badger Valve Stem
900321W	Buckeye Valve Stem
418682AS	RS & Superior Valve Stem (P5970-21)



VALVE STEM KIT contains five each of our 16 best sellers, for a total of 80 valve stems. Comes in a handy clear storage box with full-scale illustration of each valve stem.

P/N	DESCRIPTION	EACH
VSKIT	Valve Stem Kit	
LPC16	Clear Parts Bin Box	



Keep things organized with this **PLASTIC STORAGE CASE**.

It has 15 compartments and a clear lid for easy viewing. 11"L x 2³/₈"H x 7"W.

P/N	DESCRIPTION	EACH
→ 05805AM	Plastic Storage Case	



This **PORTABLE STORAGE ORGANIZER** is ideal for keeping parts, fasteners, hardware, and more neatly organized. It comes with 46 compartments that use countersunk partitions, with dovetail ends, to stop part migration. Its lid also fastens securely. Carry handle standard too. 15"L x 3¹/₄"H x 11³/₈"W. Blue/Clear.

P/N	DESCRIPTION	EACH
→ 06115AM	Portable Storage Organizer	



◆ Item in Valve Stem Kit, (VSKIT), see above.

Ansul® is a registered mark of Tyco Fire Products LP.



O-RINGS



O-RINGS



O-RINGS



O-RINGS



O-RINGS



GASKETS & QUAD RINGS

O-RINGS

UL RECOGNIZED COMPONENT O-RINGS. Pkg/10 (priced each).

P/N	DESCRIPTION
OR4	Shaft O-Ring
OR5	Shaft & Gauge O-Ring
OR6	Shaft O-Ring
OR8	Amerex (1532), Badger (14911), ♦ General (5857), Kidde (64350011)
OR10	Amerex (6978), Kidde (643580012) ♦
OR14*	RC Ind. (RR009)
OR15	RC Ind. (RR007)
OR18	Compatible w/ Ansul (3469), Badger (701), General (33449, 21574)
OR20	Buckeye (900004), Flag (552007), General (11178) ♦
OR21	General (33178), RC Ind. (RR008), Strike First (161345) ♦
OR22	Badger (14913)
OR24	Fyr-Fyter (106057)

*WHILE QUANTITIES LAST!

UL RECOGNIZED COMPONENT O-RINGS. Pkg/10 (priced each).

P/N	DESCRIPTION
OR25	Compatible w/ Ansul (21861), General (33030)
OR26	Pem All (S3) ♦
OR27	Amerex (5241), Badger (16370, 20745), Buckeye (900010), Flag (10513), Kidde (320680) ♦
OR28	Compatible w/ Pem All (L3) ♦ Ansul (428327)
OR29	Amerex (5240), Badger (20746) ♦
OR30	Kidde (64350218)
OR31	General (32518)
OR32	General (33806)
OR33	Kidde (64350226)
OR34*	Fyr-Fyter (85603)
OR35	Kidde (320005)
OR37	Buckeye (900001) ♦
OR39	Amerex (1124), Buckeye (900329) ♦
OR43	Kidde (64350327)

*WHILE QUANTITIES LAST!

UL RECOGNIZED COMPONENT O-RINGS. Pkg/10 (priced each).

P/N	DESCRIPTION
OR165	Amerex (5689), Badger (21101), Buckeye (900331)
OR195	Compatible w/ Ansul (79122) ♦
OR295	Compatible w/ Ansul (79805), Badger (16464), Kidde (320130) ♦
OR305	General (35786)
OR315	Kidde (64350222)
OR333*	Stop Fire (200078)
OR908	Compatible w/ Ansul (6323)
OR910	Compatible w/ Ansul (6324)

*WHILE QUANTITIES LAST!

GASKETS & QUAD RINGS. Pkg/10 (priced each).

P/N	DESCRIPTION
G40*	Fyr-Fyter (107995)
G45	Compatible w/ Ansul (181)
G48	Compatible w/ Ansul (6190)
QR39	Compatible w/ Ansul (6273)
QR40	Compatible w/ Ansul (16222) ♦
QR41	Compatible w/ Ansul (79122) ♦
QRH43	Compatible w/ Ansul (21882)

*WHILE QUANTITIES LAST!

♦ Item in O-Ring Kit (ORKIT), see page 227.

Ansul® is a registered mark of Tyco Fire Products LP.

20 Each Of Our 16 Best Sellers

O-RING KIT comes in a handy clear storage box with a full-scale illustration of each one. Kit includes o-rings marked with an (♦) on previous page as well as **259535K** and **340036K**.

P/N	DESCRIPTION	EACH
ORKIT	O-Ring Kit	
LPC16	Clear Parts Bin Box, 16 Compartments	
LPC24	Clear Parts Bin Box, 24 Compartments	



ORKIT

V-711 SILICONE GREASE is the choice for halon o-rings.

P/N	DESCRIPTION	EACH
SLUBE	Stiff, Tacky, Dielectric Silicone Grease, 5 oz Tube	

Parker O-LUBE is an outstanding general-purpose grease for o-rings and seals. Protects o-rings against abrasion in DC units.

P/N	DESCRIPTION	EACH
OLUBE	O-Ring Lubricant, 4 oz Tube	



SLUBE



OLUBE

RIVETS

RIVETS. Pkg/50 (priced per pack).

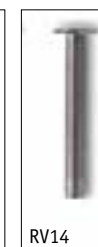
P/N	DESCRIPTION	EACH
RV5	Amerex Handle (1564), Buckeye (900052)	
RV7	Amerex Handle (1563)	
RV14	General Lever (13145, 32057)	
RV30	Badger Handle (6561, 16517)	
RV33	Power-Pak Handle/Lever (9992100)	
RV38	Buckeye Handle/Lever (900042)	



RV5



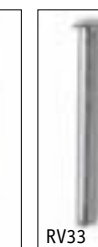
RV7



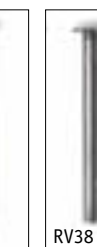
RV14



RV30



RV33



RV38

RIVETS. Pkg/50 (priced per pack).

P/N	DESCRIPTION	EACH
RV44	Compatible w/ Ansul® Handle (25719)	
RV46	RC Ind. Handle (RV001), General (32075)	
RV47	Compatible w/ Ansul Handle (25720)	
RV48	RC Ind. Lever (RV002, RV003), General (32061)	
RV49	General Handle (32058)	
RV53	General Handle/Lever (33699, 33027)	
RV59	Pyronauts Handle (123)	



RV44



RV46



RV47



RV48



RV49



RV53



RV59

RIVETS. Pkg/50 (priced per pack).

P/N	DESCRIPTION	EACH
RV63	General Handle (34076)	
RV64	General Handle (35774)	
RV67	General Handle (32062)	
RV71	General Handle (34991)	
RV78	Compatible w/ RC Ind. Lever (RV004), Ansul (17050)	
RV80	Strike First Lever/Handle (162803)	
RV81	Kidde Handle (206363), Fyr-Fyter (50013)	



RV63



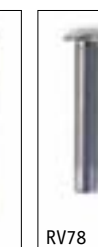
RV64



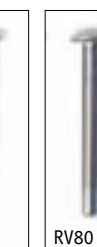
RV67



RV71



RV78



RV80

RIVET KIT contains 50 each of the above listed rivets for a total of 1000 rivets. Comes in a handy clear storage box and includes full-scale illustrations.

P/N	DESCRIPTION	EACH
RKIT	Rivet Kit	

Five-drawer **PARTS BIN RACK.** Order clear parts bin box separately.

P/N	DESCRIPTION	EACH
PBR1	Parts Bin Rack	
LPC16	Clear Parts Bin Box, 16 Compartments	
LPC24	Clear Parts Bin Box, 24 Compartments	



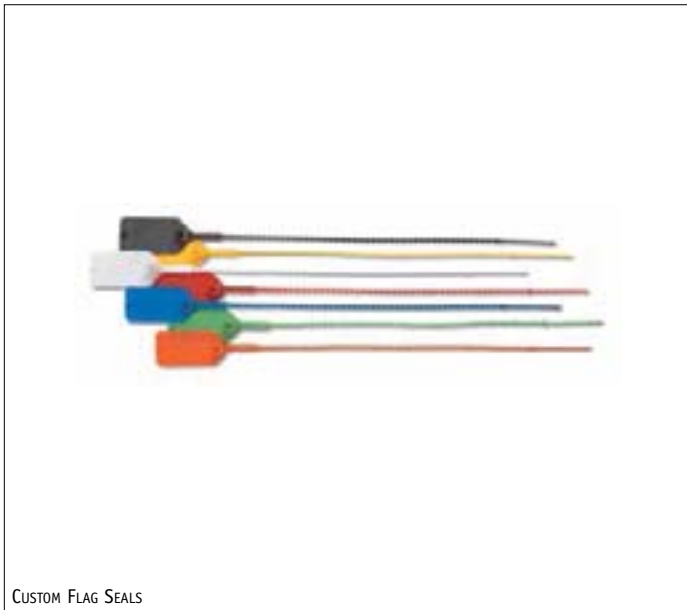
RKIT



PBR1, LPC16 In Use

In Use photos may show items not included or available separately.

Ansul® is a registered mark of Tyco Fire Products LP.

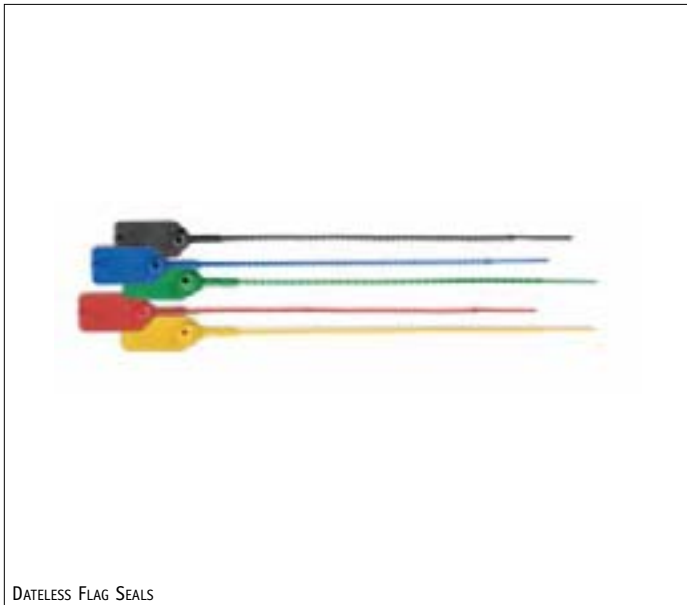


CUSTOM FLAG SEALS

CUSTOM TAMPER SEALS

CUSTOM SEALS. Medium print area is $\frac{3}{4}$ " x $\frac{5}{8}$ "; large print area is $1\frac{1}{2}$ " x $\frac{3}{4}$ ". Signed proof must be received before order is given to the printers. Custom Die Charge is waived for exact re-orders. There are seven seal colors available: Black (BK), Yellow (Y), Red (R), Blue (BL), Green (G), White (W), and Orange (O). There are 5 imprint colors available: Dark Blue (DB), Red (R), Yellow (Y), Black (BK), and White (W). Identify the seal color, and specify imprint color on order. **SSPFLAG** measures 9" long and **SSPLGFG** measures 10" long. Minimum order is 10,000 for custom seals. Sold and priced per 1000 seals.

P/N	DESCRIPTION	EACH
SSPFLAG	Custom Medium Flag Seal, Matted	
SSPLGFG	Custom Large Flag Seal, Matted	
SSPFLAGDIE	Custom Die Charge (Initial Set-Up Fee)	



DATELESS FLAG SEALS

NON-CUSTOM TAMPER SEALS

Dateless **TAMPER SEAL** is a UL recognized component for fire extinguishers. Available in five colors. Not dated. Measures 9" long. Sold in bags of 500.

P/N	DESCRIPTION	EACH
CNDSY	Dateless Flag Tamper Seal, Yellow	
CNDSR	Dateless Flag Tamper Seal, Red	
CNDSBL	Dateless Flag Tamper Seal, Blue	
CNDSG	Dateless Flag Tamper Seal, Green	
CNDSBK	Dateless Flag Tamper Seal, Black	



MFLAGBL, MFLAGY

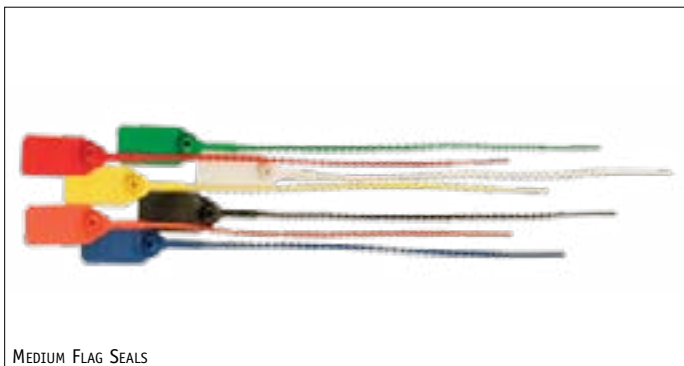
Dateless medium, matted **TAMPER SEAL** is a UL recognized component for fire extinguishers. Available in seven colors. Measures 9" long. Sold in bags of 500 (50 matted sheets of 10 each).

P/N	DESCRIPTION	EACH
MFLAGY	Medium, Matted Flag Tamper Seal, Yellow	
MFLAGBK	Medium, Matted Flag Tamper Seal, Black	
MFLAGR	Medium, Matted Flag Tamper Seal, Red	
MFLAGBL	Medium, Matted Flag Tamper Seal, Blue	
MFLAGG	Medium, Matted Flag Tamper Seal, Green	
MFLAGW	Medium, Matted Flag Tamper Seal, White	
MFLAGO	Medium, Matted Flag Tamper Seal, Orange	

Medium flag **TAMPER SEAL** is a UL recognized component for fire extinguishers. Available in seven colors. Dated with the current year (shows seal has been replaced during annual maintenance, according to NFPA 10). Measures 9" long. Sold in bags of 500.

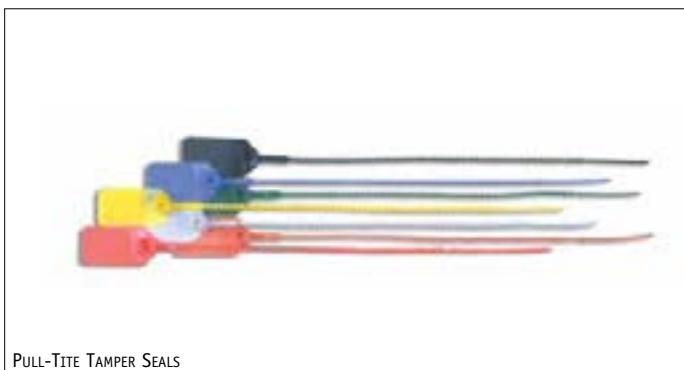
NOTE: Add two-digit year to part number, ie. **FLAGY16**.

P/N	DESCRIPTION	EACH
FLAGY__	Medium Flag Tamper Seal, Yellow	
FLAGR__	Medium Flag Tamper Seal, Red	
FLAGBL__	Medium Flag Tamper Seal, Blue	
FLAGG__	Medium Flag Tamper Seal, Green	
FLAGW__	Medium Flag Tamper Seal, White	
FLAGO__	Medium Flag Tamper Seal, Orange	
FLAGBK__	Medium Flag Tamper Seal, Black	



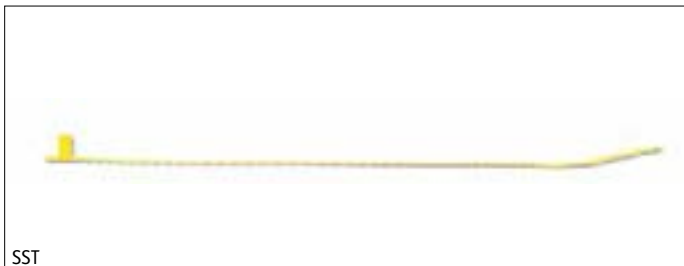
Pull-Tite TAMPER SEAL is a UL recognized component for fire extinguishers. Available in seven colors. Dateless. Measures 9" long. Sold in bags of 500.

P/N	DESCRIPTION	EACH
EJBY	Flag Tamper Seal, Yellow	
EJBBK	Flag Tamper Seal, Black	
EJBBL	Flag Tamper Seal, Blue	
EJBG	Flag Tamper Seal, Green	
EJBO	Flag Tamper Seal, Orange	
EJBR	Flag Tamper Seal, Red	
EJBW	Flag Tamper Seal, White	



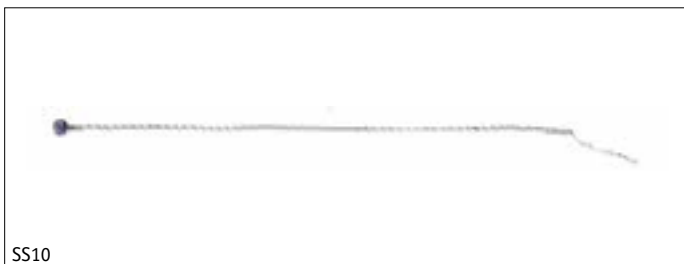
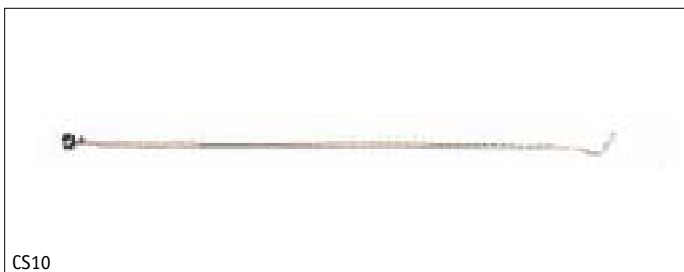
Dennison tamper-evident polypropylene SEAL. Sold in packages of 2000.

P/N	DESCRIPTION	EACH
SST	8" Yellow Secure-A-Seal	

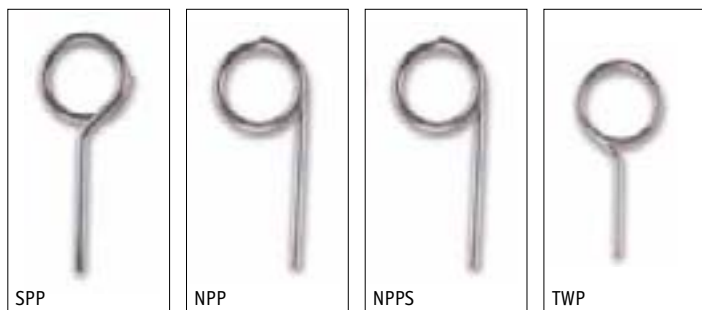


Multi-purpose metal wire **SEALS.** Sold in packages of 100.

P/N	DESCRIPTION	EACH
CS10	10" Copper Wire w/ 1/4" Lead Seal	
SS10	10" Galvanized Steel Wire w/ 1/4" Lead Seal	
SS16	16" Galvanized Steel Wire w/ 7/16" Lead Seal	



11 FIRE EXTINGUISHER PARTS



PULL PINS

PULL PINS. Priced and sold in packs of 100.

P/N	DESCRIPTION
SPP	Single-Point Pull Pin, Steel
NPP	New-Type Pull Pin

PULL PINS. Priced each.

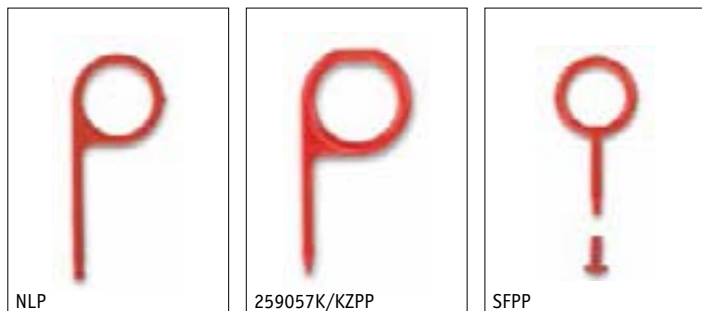
P/N	DESCRIPTION
NPPS	New-Type Pull Pin, Stainless Steel
TWP	Thin Wire Pull Pin, Steel



PULL PINS. Priced each.

P/N	DESCRIPTION
LLPS	Large Loop Stainless Steel Pull Pin
LLPP	Large Loop Steel Pull Pin
KDP	Kidde Type Double Point Pull Pin
NLP*	Red Plastic Pull Pin
259057K*	Kidde Red Plastic Pull Pin
KZPP*	Kidde Type Red Plastic Pull Pin
SFPP*	Strike First Type Red Plastic Pull Pin Assembly

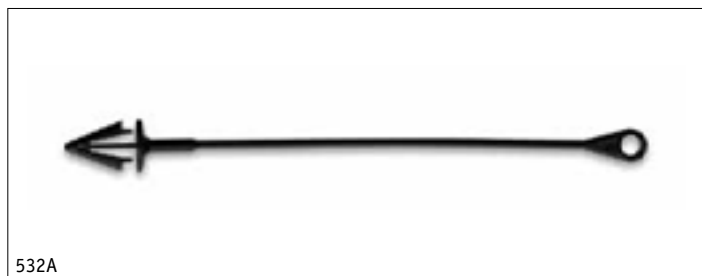
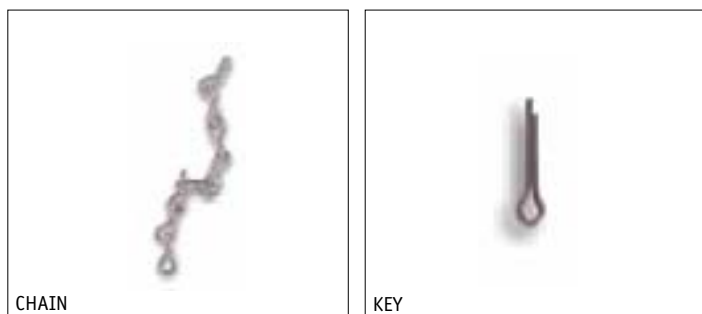
*NON-MAGNETIC



PULL PIN ACCESSORIES. Priced each.

P/N	DESCRIPTION
CHAIN	4" Single Jacket Galvanized Chain
KEY	Cotter Key
532A*	Nylon Chain For use w/ Chain For Pull Pin (Amerex)

*NON-MAGNETIC



CARTRIDGE BUSHINGS AND SHIPPING CAPS

FILLING BONNET

P/N	DESCRIPTION	EACH
B2081	Filling Bonnet Compatible w/ Ansul® & General D/C CO ₂ Cartridge Extinguishers	
B2082	Filling Bonnet Compatible w/ Ansul Systems Cartridge	
OR26	Bonnet O-Rings	
B209	Bushing Tool For B2081, B2082 Bonnets	
OR165	B209 Stem O-Ring	



“A” and “AA” BUSHINGS should be tightened to 40 ft-lb torque at room temperature.
NOTE: SEE WARNING below.

P/N	DESCRIPTION	EACH
A	Bushing Compatible w/ Ansul® Portable D/C Extinguisher Cartridges	
AA	Bushing Compatible w/ Ansul D/C Systems & Nitrogen Cartridges	



“E” BUSHINGS should be tightened to 25 ft-lb torque at room temperature.
NOTE: SEE WARNING below.

P/N	DESCRIPTION	EACH
E	Bushing For General Outside Mounted D/C Extinguisher Cartridges	
TW	Reversible Ratchet Torque Wrench	



Cartridge SHIPPING CAPS.

P/N	DESCRIPTION	EACH
LHSC	LH Thread Cartridge Shipping Cap	
RHSC	RH Thread Cartridge Shipping Cap	



WARNING: The above parts and accessories are only a partial list of items and equipment needed to safely refill carbon dioxide and nitrogen cartridges. These parts and accessories should be purchased and used **only** by personnel who are thoroughly familiar with, and understand, the standards published in the Compressed Gas Association pamphlets G-6 and S-1.1, Code of Federal Regulations title 49, parts 100 thru 199, and who have received “hands-on” training under the direct supervision of someone experienced in cartridge refilling. If you lack the knowledge, training, or experience described above, **do not** attempt to refill either carbon dioxide or nitrogen cartridges. Instead, we recommend that you purchase either new cartridges or have them refilled by an established service facility. **Failure to adhere to the above instructions could result in serious injury or death.**



CO₂ FIRE EXTINGUISHER VALVES

CO₂ FIRE EXTINGUISHER VALVES for 1/2"-neck steel cylinders.

P/N	DESCRIPTION	EACH
BHV50	FireTech CO ₂ Valve	
PSH2	RS CO ₂ Valve	
SW50	Swivel Discharge Assembly For PSH2 Valve & BHV50	
DCT	1/8" Brass Discharge Tube For BECO PSH Valve	





BHV100



PSH1

CO₂ FIRE EXTINGUISHER VALVES for 1"-neck steel cylinders. See page 291 for replacement parts.

P/N	DESCRIPTION
BHV100	FireTech CO ₂ Valve w/ Latch
PSH1	RS CO ₂ Valve w/ Latch
EL250	1/4" Elbow w/ Diffuser
EL375	3/8" Elbow w/ Diffuser



3090A



EL10, EL5

CO₂ FIRE EXTINGUISHER VALVES for 1 1/8"-neck aluminum cylinders.

P/N	DESCRIPTION
3090A	CO ₂ Valve
EL10	3/8" Elbow w/ Diffuser For 10-20 lb 3090A Valves
EL5	Elbow For 5 lb 3090A Valves
DCT	1/8" Brass Discharge Tube For 3090A w/ EL5



EL250



BA100

WHEELED UNIT VALVES for 50-100 lb CO₂ units.

P/N	DESCRIPTION
BA100	1" Handwheel Valve
BA100STEMD	Valve Stem For BA100
RS5	Disc, Washer, & Nut Assembly For BA100



EL375

WHEELED UNIT VALVES

P/N	DESCRIPTION
CEV	3/4" Nitrogen Valve w/ Gauge For Dry Chemical Wheeled Units
CEVDW	Safety Disc & Washer For CEV & CEVQR
CEVSN	Safety Nut For CEV & CEVQR
CEVQR	3/4" Quick-Release Nitrogen Valve w/ 3000 psi Gauge For Dry Chemical Wheeled Units
CEVQR4	3/4" Quick-Release Nitrogen Valve w/ 4000 psi Gauge
CEVDW4	Safety Disc & Washer For CEVQR4
CEVSTEM	Lower Seat Stem For CEV
CEVSPINDLE	Upper Spindle For CEV
G3000	3000 psi Replacement Gauge For CEV, CEVQR, & 12467A



CEV



CEVQR

QUICK-RELEASE VALVES

P/N	DESCRIPTION
9895A	3/4" Quick-Release Valve For 50-100 lb CO ₂ Cylinders
12467A	3/4" T-Handle Quick-Release Nitrogen Valve w/ Gauge
4000A	Safety Disc, Washer, & Nut Assembly For 9895A



9895A



12467A

Brass **COMMERCIAL CO₂ VALVES** for aluminum and steel cylinders. Valves come threaded to accept siphon tube (except **CV50**) when **COMB** adapter is used. See page 291 for size information.

P/N	DESCRIPTION
CV50	CO ₂ Valve For 1/2" Neck Steel Cylinders
CV75	CO ₂ Valve For 3/4" Neck Steel Cylinders
CV100	CO ₂ Valve For 1" Neck Steel Cylinders
CV100A	CO ₂ Valve For 1 1/8" Straight-Thread Aluminum Cylinders
OR39	O-Ring For CV100A Valve



CV50



CV100A



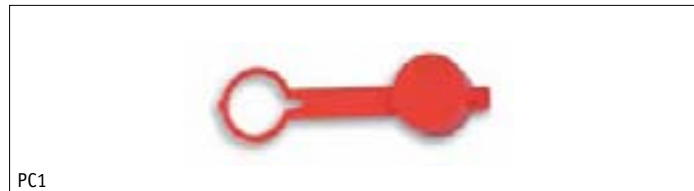
NV75



NV100

Brass **COMMERCIAL NITROGEN VALVES.**

P/N	DESCRIPTION
NV75	3/4" Nitrogen Valve w/ CGA 580 Outlet
NV100	1" Nitrogen Valve w/ CGA 580 Outlet
PC1	Plastic Thread Protector For 1/2" Outlet Valves
PC2	SCBA Thread Saver For Scott, MSA, & Survivair (w/ 18" Cord)
HWG	Handwheel Grip For Valves



PC1

CO₂ SIPHON TUBES

SIPHON TUBES for extinguisher and commercial CO₂ valves.
NOTE: Always verify siphon tube is the correct length. More specifically, the siphon tube bottom should rest approximately 1/4" from the inside bottom of the cylinder (with the valve in place). If cutting is necessary, make it at 45°. This prevents the tube from sealing against the cylinder bottom.

P/N	DESCRIPTION
2ST	2.5 & 5 lb CO ₂ Siphon Tube
10ST	10 lb CO ₂ Siphon Tube
15ST	15 & 20 lb CO ₂ Siphon Tube
COMB	Siphon Tube Adapter Fits 2ST, 10ST, & 15ST
50ST	50 & 75 lb CO ₂ Siphon Tube Fits BA100 & 24128G Only
50BIST	Black Iron Siphon Tube, 53 1/2" x 1/4", NPT Fits CV75 & CV100 Valves



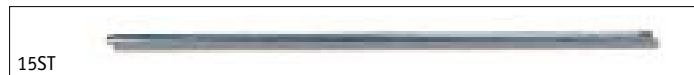
PC2



HWG



10ST



15ST



50ST



COMB



CO₂ SAFETY DISCS AND WASHERS

CO₂ SAFETY DISCS and **WASHERS** are for CO₂ fire extinguisher valves only. See pages 292 and 293 for **Sherwood** and **Superior** commercial valve safety disc assemblies.

P/N	DESCRIPTION
4000A	Amerex Disc, Washer, & Nut Assembly (Also 3090A & 9895A Valves) 250 in-lb (21 ft-lb)
429515AS	Ansul® Disc, Washer, & Nut Assembly 35 ft-lb
RS5	Ansul Disc, Washer, & Nut Assembly (Canadian Valves) 35 ft-lb
24643B	Badger Disc, Washer, & Nut Assembly 25-30 ft-lb
200081W	Buckeye Disc, Washer, & Nut Assembly 32 ft-lb
50115F	Fyr-Fyter Safety Disc 20 ft-lb
50116F	Fyr-Fyter Copper Washer
24643B	Kidde Disc, Washer, & Nut Assembly 25-30 ft-lb
260299K	Kidde Safety Disc (Aluminum Valves) 250-275 in-lb (21-23 ft-lb)
258443K	Kidde Aluminum Washer
29450K	Kidde Copper Washer
RS5	RS Valve Disc, Washer, & Nut Assembly (PSH1, PSH2, & BA100 Valves) 27 ft-lb
C16SV	Superior Safety Disc (Small Style for Extinguisher Valve) 6-7 ft-lb (72-84 in-lb)
C15SV	Superior Copper Washer (Small Style for Extinguisher Valve)
16ASV	Superior Safety Disc (Large Style for Military Valve) 35 ft-lb
15SV	Gasket

CO₂ SAFETY DISCS & WASHERS

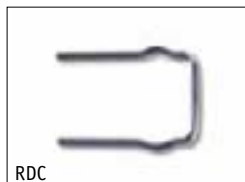
B114, STB114



B115



RDH10, RDH15



RDC



B128



RDN



B222

See page 201 for Torque Wrenches.

CO₂ HORNS, NIPPLES, AND HANDLES

CO₂ HORNS, NIPPLES, HANDLES, and **CLIPS**.

NOTE: There are several different 5 lb horn and discharge tube designs. To ensure correct replacement parts, carefully check the old horn and tube. Also some discharge tubes have a long diffuser tip and will not work with certain horns. Test for CO₂ flow through discharge tube and horn assembly to be sure.

P/N	DESCRIPTION
B114	5 lb CO ₂ Horn w/ Diffuser For Discharge Tubes w/o Diffuser
STB114	5 lb CO ₂ Horn For Discharge Tubes w/ Built-In Diffuser
B11510	Conical Horn w/ Brass Diffuser For 10 lb CO ₂ Extinguisher
B115	Conical Horn w/ Brass Diffuser For 15 & 20 lb CO ₂ Extinguisher
RDH10	Rapid Discharge Horn & Handle For 10 lb CO ₂ Extinguisher
RDH15	Rapid Discharge Horn & Handle For 15 & 20 lb CO ₂ Extinguisher
RDC	Diffuser Clip For RDH CO ₂ Horn
RDN	Diffuser For RDH CO ₂ Horn
B128	Rubber Handle For All Conical Horns
B222	1/4" x 6" Galvanized Steel Nipple For All Conical Horns

Ansul® is a registered mark of Tyco Fire Products LP.

Safety **HORN HOLDER** keeps horn in the down position against extinguisher, preventing water from entering hose/horn. Use **UHS35** strap to install (sold separately).

P/N	DESCRIPTION
SHH	Safety CO ₂ Horn Holder
UHS35	Universal Hose Strap



SHH w/ UHS35 In Use



UHS35



SHH

WHEELED CO₂ UNIT HORN ASSEMBLY

NOTE: The nipple/handle attaches to the 3/8" female side of valve assembly. Horn attaches to other end of nipple, while hose attaches to 1/2" male side of valve.

P/N	DESCRIPTION
CSV	Valve Assembly For 50 & 75 lb CO ₂
CSH	CO ₂ Horn w/ Diffuser
CSN	3/8" x 18" Galvanized Steel Nipple
CSR	Rubber Handle For CSN Nipple



CSV, CSH, CSN, CSR

CO₂ HOSE ASSEMBLIES

CO₂ FIRE EXTINGUISHER HOSE assemblies meet or exceed UL Standard 154. A perforated rubber-covered wire braided hose with heavy-duty brass couplings. Rated at 10,000 lb bursting pressure and 2500 lb working pressure.

P/N	DESCRIPTION
32A	32" Hose For 10-20 lb CO ₂ Extinguisher (1/4" F x 1/4" F)
32B	32" Hose For 10-20 lb CO ₂ Extinguisher (1/4" F x 3/8" F)
36A	36" Hose For 10-20 lb CO ₂ Extinguisher (1/4" F x 1/4" F)
36B	36" Hose For 10-20 lb CO ₂ Extinguisher (1/4" F x 3/8" F)



32A, 36A

CO₂ WHEELED UNIT HOSE assemblies measuring 1/2" with same features as above.

WARNING: Leaving hose charged for long periods may result in jacket blistering.

P/N	DESCRIPTION
15FF	15' CO ₂ Hose, 1/2" F x 1/2" F For 50 lb & Larger Wheeled & Stationary Units
40FF	40' CO ₂ Hose, 1/2" F x 1/2" F For 50 lb & Larger Wheeled & Stationary Units
CPLF	Coupling, 1/2" F x 1/2" F To Change Hose End from Male to Female
CPLM	Adapter, 1/2" M x 1/2" M To Change Hose End from Female to Male



15FF



CPLF



CPLM

© BROOKS EQUIPMENT COMPANY, LLC 2016. ALL RIGHTS RESERVED. BROOKS EQUIPMENT® IS A REGISTERED TRADEMARK OF BROOKS EQUIPMENT, LLC.

In Use photos may show items not included or available separately.

11 FIRE EXTINGUISHER PARTS

REPLACEMENT BANDS AND STRAPS

UNIVERSAL HOSE STRAP and CLIP.

P/N	DESCRIPTION
UHC	Universal Hose Clip
UHS35	Universal Hose Strap



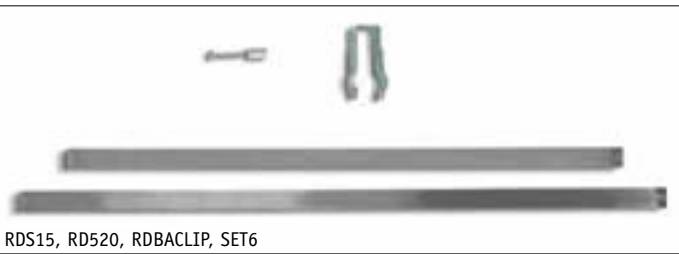
ONE-PIECE HOSE and CLIP fits cylinders up to 7" Dia.

P/N	DESCRIPTION
LCC12	Cable & Clip, 1/2" Dia Hose
LCC38	Cable & Clip, 3/8" Dia Hose



CO₂ REPLACEMENT STRAPS and CLIPS for Amerex® 10–20 lb cylinders.

P/N	DESCRIPTION
→ AX20570	Amerex Strap & Clip For AX330 & AX331
→ AX20571	Amerex Strap & Clip For AX332



CO₂ REPLACEMENT STRAPS for 10–20 lb cylinders.

P/N	DESCRIPTION
RDS15	Strap For Rapid Discharge Style Horns, 10–15 lb
RDS20	Strap For Rapid Discharge Style Horns, 20 lb
RDBACLIP	Clip For Rapid Discharge Style Horns
SET6	Screw & Spacer For RDS15 & RDS20



© BROOKS EQUIPMENT COMPANY, LLC 2016. ALL RIGHTS RESERVED. BROOKS EQUIPMENT® IS A REGISTERED TRADEMARK OF BROOKS EQUIPMENT, LLC.

In Use photos may show items not included or available separately.

CO₂ REPLACEMENT BANDS for units with rapid discharge horns.

P/N	DESCRIPTION
RDBA	Aluminum Horn Band
SET2	Hardware For RDBA Band (Spacer, Nut, & Screw)
RDBB	Brass Horn Band
SET4	Hardware For RDBB Band (Spacer, Nut, & Screw)

CO₂ REPLACEMENT BANDS for units with conical discharge horns.

P/N	DESCRIPTION
UBA	Aluminum Horn Band
SET1	Hardware For UBA Band (Bar, Nut, & Screw)
UBB	Brass Horn Band
SET3	Hardware For UBB Band (Bar, Nut, & Screw)

CARRYING HANDLES and **ADAPTERS** reduce valve damage and make transporting cylinders easier. They provide protection for almost all CO₂ cylinders. The adapter fits steel cylinders with a neck diameter of 1³/₈" to 1⁷/₈".

P/N	DESCRIPTION
CCH1	Luxfer Carry Handle w/ Ring, 2 ³ / ₈ " Neck
CCH2	Kidde Carry Handle w/ Ring, 2 ⁷ / ₁₆ " Neck
CCH3	Catalina Carry Handle w/ Ring, 2 ⁷ / ₈ " Neck
RING1	CCH1 Replacement Snap Ring
RING2	CCH2 Replacement Snap Ring
RING3	CCH3 Replacement Snap Ring
LHA	CCH1 Carry Handle Adapter For Steel Cylinders

BEVERAGE CYLINDER EQUIPMENT

BEVERAGE REGULATORS are for CO₂ beverage cylinders only.

NOTE: Not to be used on vacuum filling systems for extinguishers.

P/N	DESCRIPTION
BEV3	100 psi CO ₂ Beverage Regulator
100G	100 psi Replacement Gauge For BEV3
BEV4	1800/160 psi CO ₂ Beverage Regulator
160G	160 psi Replacement Gauge For BEV4
BEV5	1800/60 psi CO ₂ Beverage Regulator
60G	60 psi Replacement Gauge For BEV5
2000G	0-2000 psi Replacement Gauge w/ Right-Hand Threads
L2000G	0-2000 psi Left-Hand Thread Gauge Fits Cornelius & Watts Fluidair (BEV4)



RDBA



RDBB



UBA



UBB



CCH1



CCH1, LHA IN USE



CCH3



LHA



BEV3



BEV5

11 FIRE EXTINGUISHER PARTS



WALL HANGERS

WALL HANGERS

P/N	DESCRIPTION
WH2	Universal Hanger For 2.5 gal Water, 10 lb D/C, & 13 lb Halon
WH5	Universal Hanger For 5 lb CO ₂ , 6-10 lb D/C, & 9 lb Halon
WH15	Universal Hanger For 10-15 lb CO ₂ & 11-15.5 lb Halotron I
WH20	Universal Hanger For 20 lb CO ₂ , 20 lb D/C, 17 lb Halon, & Class D



HANGER LOOP KIT replaces broken loops on the back of stainless steel cylinders. Use with **WH2** wall hanger.

P/N	DESCRIPTION
HLK	Hanger Loop Kit



WALL HANGERS. Amerex.

P/N	DESCRIPTION
4834A	Amerex Hanger For 1.25 & 2.5 lb Halon & 2½ lb D/C
1521A	Amerex Hanger For 5 lb D/C Extinguisher (Thru 2007)
16591A	Amerex Hanger For 5 lb D/C Extinguishers (2008 & Later)
5525A	Amerex Hanger For 6-13 lb Extinguisher



WALL HANGERS. Ansul and Buckeye.

P/N	DESCRIPTION
ACWH1	Compatible w/ Ansul® Hanger For 10-30 lb Cartridge Extinguisher
ASWH2	Compatible w/ Ansul Hanger For 4.5-9 lb Sentry® "SY Model" Extinguisher
ASWH3	Compatible w/ Ansul Hanger For 10-14 lb Sentry "SY Model" Extinguisher
ASWH4	Compatible w/ Ansul Hanger For 17-20 lb Sentry "SY Model" Extinguisher
700207W*	Buckeye Hanger For 2.5-5 lb Extinguisher

*WHILE QUANTITIES LAST!



WALL HANGERS. Kidde.

P/N	DESCRIPTION
202208K	Kidde Hanger For 4 lb CO ₂ Extinguisher
293263K	Kidde Hanger For 6 lb D/C Extinguisher
1141K	Kidde Hanger For Pro-Line Extinguisher
340357K	Kidde Hanger For 2.6-2.75 lb D/C Extinguisher
340358K	Kidde Hanger For 4-6 lb D/C Extinguisher
340791K	Kidde Hanger For 10 lb D/C Extinguisher
→ 14260K	Kidde Hanger For 20 lb D/C Extinguisher



WALL HANGERS. Pem All and RC Ind.

P/N	DESCRIPTION
WB1PA*	Pem All Hanger For 5-10 lb Small Valve Extinguisher
WB2PA*	Pem All Hanger For 10-20 lb Large Valve Extinguisher
BT029RC	RC Ind. Hanger For 2.5-10 lb Extinguisher

*WHILE QUANTITIES LAST!

In Use photos may show items not included or available separately.
Ansul® and Sentry® are registered marks of Tyco Fire Products LP.

No Drilling Required!

"I" BEAM ADAPTER for hanging portable extinguishers on "I" beams. Dual mounting. Screws sold separately.

P/N	DESCRIPTION
IBA1	"I" Beam Adapter
IBA2	Screws, Pkg/100



IBA1, IBA2 In Use



IBA1, IBA2

VEHICLE, SPRING CLIP, AND HEAVY-DUTY BRACKETS

VEHICLE BRACKETS. Amerex.

P/N	DESCRIPTION
817A	Amerex Bracket For 2.5 lb Extinguisher
817SA	Amerex Bracket For 2.5 lb Extinguisher w/ Double Strap
818A	Amerex Bracket For 5 lb Extinguisher
818SA	Amerex Bracket For 5 lb Extinguisher w/ Double Strap
821A	Amerex Bracket For 5 lb Extinguisher
808A	Amerex Bracket For 6 lb Extinguisher
846A	Amerex Bracket For 10 lb Extinguisher
861HA	Amerex Bracket For 5 lb Extinguisher
860A	Amerex Bracket For 3"-4 ¹ / ₄ " Dia Shells w/ Cord
862A	Amerex Bracket For 5"-7" Dia Shells w/ Cord
864A	Amerex Bracket For 7"-8" Dia Shells w/ Cord
7166A	Replacement Cord For 860A & 862A
7802A	Replacement Cord For 864A
RG	Heavy-Duty Rubber Grommet



817A



821A



846A



861HA



860A



862A



864A

VEHICLE BRACKETS. Ansul.

P/N	DESCRIPTION
24610AS	Ansul® Sentry® Bracket For 2.5 & 2.75 lb Extinguisher
415824AS	Ansul Sentry Bracket For 5 lb Extinguisher (Current Models)
429146AS	Ansul Sentry Bracket For 5 lb Extinguisher ("SY" Models, except SY-0515)
79758AC	Ansul Bracket For 5 lb Cartridge-Operated Extinguisher



24610AS



79758AC

©Brooks Equipment Company, LLC 2016. ALL RIGHTS RESERVED. BROOKS EQUIPMENT® IS A REGISTERED TRADEMARK OF BROOKS EQUIPMENT, LLC.

In Use photos may show items not included or available separately.

Ansul® and Sentry® are registered marks of Tyco Fire Products LP.

11 FIRE EXTINGUISHER PARTS



MB250



700270W In Use

VEHICLE BRACKETS. Badger and Buckeye.

P/N	DESCRIPTION
MB250	Badger Bracket For 2.5 & 2.75 lb Extinguisher
MB5	Badger Bracket For 5 lb Extinguisher
700287W	Buckeye Bracket For 2.5 lb Extinguisher
700270W	Buckeye Bracket For 5 lb Extinguisher
700430W	Buckeye Bracket For Tall 10 lb Extinguisher



466400K, 466401K



21009952K In Use

VEHICLE BRACKETS. Kidde.

P/N	DESCRIPTION
466400K	Kidde Bracket For 5 & 6 lb Extinguisher
466401K	Kidde Bracket For 2.5 & 2.6 lb Extinguisher

Made to fit a rectangular forklift support, this **FORKLIFT BRACKET** is ideal for hanging an extinguisher.

NOTE: Requires a strap bracket (not included) to secure extinguisher.

P/N	DESCRIPTION
→ 21009952K	Forklift Bracket

EACH



UPB25



UPB5

VEHICLE BRACKETS. Universal.

P/N	DESCRIPTION
UPB25	Universal For 2.5 & 2.75 lb Extinguisher
UPB5	Universal For 5 & 6 lb Extinguisher

SPRING CLIP BRACKETS

P/N	DESCRIPTION
2SC	Spring Clip Bracket For 2.5 lb CO ₂ Extinguisher
4SC	Spring Clip Bracket For 5 & 6 lb D/C, Halon, & CO ₂ Extinguisher
15SC	Spring Clip Bracket w/ Hanger For 10 & 15 lb D/C, Halon, & CO ₂ Extinguisher



4SC



5BRK



UBRK

SPRING CLIP BRACKETS

P/N	DESCRIPTION
UBRK	Spring Clip Bracket For 2.5 & 2.75 lb D/C & Halon Extinguisher
5BRK	Spring Clip Bracket For 5 & 6 lb D/C & Halon Extinguisher
HWC5	Spring Clip Bracket For 5" - 5 1/8" Dia Shells



HWC5



25UPB

PLASTIC UNIVERSAL SPRING CLIP BRACKETS

P/N	DESCRIPTION
25UPB	Universal Spring Clip Bracket, Plastic Fits 2.5 lb Extinguisher
5UPB	Universal Spring Clip Bracket, Plastic Fits 5 lb Extinguisher
10UPB	Universal Spring Clip Bracket, Plastic Fits 10 lb Extinguisher

In Use photos may show items not included or available separately.

© BROOKS EQUIPMENT COMPANY, LLC 2016. ALL RIGHTS RESERVED. BROOKS EQUIPMENT® IS A REGISTERED TRADEMARK OF BROOKS EQUIPMENT, LLC.

VEHICLE BRACKETS have welded steel construction to prevent bracket from vibrating apart. Order **HPIN** separately.

P/N	DESCRIPTION
5DC	Running Board Bracket For 4 1/4" - 4 1/2" Dia Shells
807A	Amerex Heavy-Duty Bracket For 4 1/4" Dia Shells
5HB	Running Board Bracket For 4 7/8" - 5 5/8" Dia Shells
809A	Amerex Heavy-Duty Bracket For 5" Dia Shells
AX809G	Amerex Heavy-Duty Bracket (Galvanized) For 5" Dia Shells
10HB	Running Board Bracket For 5 3/4" - 6 1/4" Dia Shells
366242K	Badger, Kidde Heavy-Duty Bracket For 5 7/32" Dia Shells
15HB	Running Board Bracket For 6 1/2" - 7" Dia Shells
810A	Amerex Heavy-Duty Bracket For 7" Dia Shells
AX810G	Amerex Heavy-Duty Bracket (Galvanized) For 7" Dia Shells
AX810CG	Amerex Heavy-Duty Bracket (USCG Models) For Models B250CG, B260CG, & B262CG
292474K	Badger, Kidde Heavy-Duty Bracket For 7" - 7 1/64" Dia Shells
15HBL	Running Board Bracket For 7 1/4" - 7 1/2" Dia Shells
20HB	Running Board Bracket For 7 3/4" - 8" Dia Shells
811A	Amerex Heavy-Duty Bracket For 8" Dia Shells
AX811G	Amerex Heavy-Duty Bracket (Galvanized) For 8" Dia Shells
RG	Heavy-Duty Rubber Grommet

VEHICLE BRACKETS for **Ansul** and **General** have steel bolted construction and include hasp and latch pin. Will not vibrate open. Pin must be removed to free extinguisher.

P/N	DESCRIPTION
A10C	10 lb Cartridge-Operated Bracket Compare to Ansul
AG20C	20 lb Cartridge-Operated Bracket Compare to Ansul & General
AG30C	30 lb Cartridge-Operated Bracket Compare to Ansul & General
AGRG	Heavy-Duty Rubber Grommet For Cartridge Bracket
HPIN	"Hair Pin" Clip, Pkg/5

VEHICLE BRACKETS for **Badger™ Brigade** cartridge-operated models.

P/N	DESCRIPTION
466541B	Badger 10 lb-Style Cartridge-Operated Bracket
466542B	Badger 20 lb-Style Cartridge-Operated Bracket
466543B	Badger 30 lb-Style Cartridge-Operated Bracket



5HB



809A



366242K



HPIN



A10C



AG30C



466541B



466542B

©BROOKS EQUIPMENT COMPANY, LLC 2016. ALL RIGHTS RESERVED. BROOKS EQUIPMENT® IS A REGISTERED TRADEMARK OF BROOKS EQUIPMENT, LLC.

Make Moving From Jobsite To Jobsite Easy



FES1 In Use

With this portable **FIRE EXTINGUISHER STAND**. The stand holds a 5, 10, or 20 lb dry chemical extinguisher and is ideal for wherever a fire extinguisher is required but cannot be permanently mounted. Its 16" x 16" base features a molded-in handle for ease of movement and a large 2½" fill hole for the addition of sand to weight the base. The heavy-duty upright attaches easily to base without the use of tools. Constructed from red powder-coated steel (pre-drilled for a fire extinguisher wall hook). Base holds up to 35 lbs of sand.
NOTE: Sand and wall hook are not included.

P/N	DESCRIPTION	EACH
FES1	Fire Extinguisher Stand, 48"	

PORTABLE EXTINGUISHER CABINET & STAND

solves the problem of locating fire extinguishers on jobsites, project areas, and in remote locations. Constructed from rust/fade-proof materials, that meet Cal and OSHA requirements, this cabinet/stand combo comes with handles for convenient carry. Plus the fire-retardant cabinet comes with a scored break front and cylinder lock. Other features include a heavy-duty rubber stand base, informational decals, and stackable storage/transport. Unit measures 43"H x 20"W x 20"D. White/Red.

P/N	DESCRIPTION	EACH
FGSWC10	10 lb Extinguisher Cabinet & Stand	
FGSWC20	20 lb Extinguisher Cabinet & Stand	



FGSWC10 In Use



FMRGC In Use

The **Original Firemate** is a stackable, **PORTABLE FIRE EXTINGUISHER STAND** that's easy to move from jobsite to jobsite. Made of tough HDPE plastic, with a wide base, it's right at home in rough environments and resists tipping. The stand holds 5, 10, or 20 lb extinguishers and is ideal for construction sites, exhibit halls, aircraft facilities, industrial sites, and more. OSHA compliant. Red.

P/N	DESCRIPTION	EACH
FMRGC	Portable Fire Extinguisher Stand	

Amerex® HEAVY-DUTY DOLLY CART enhances mobility of the larger, heavier extinguisher sizes. Fits cylinders 7"-8" Dia.

P/N	DESCRIPTION	EACH
859A	Heavy-Duty Dolly Cart	



859A



FES2 In Use

The **FireTech™ FIBERGLASS STAND** is designed for use with **FGC26 Fiberglass Cabinet**. Its red finish perfectly matches the cabinet and it comes with four pre-drilled holes for permanent attachment to docks or other locations. There are also mounting holes and hardware for attaching the cabinet. Sand can be added as well, for temporary placement. Measures 27½" tall with a 15½" x 15½" base and 8¼" x 11¾" top surface.

P/N	DESCRIPTION	EACH
FES2	Fiberglass Cabinet Stand For FGC26 Cabinet	

In Use photos may show items not included or available separately.

FIRE EXTINGUISHER PICTOGRAMS

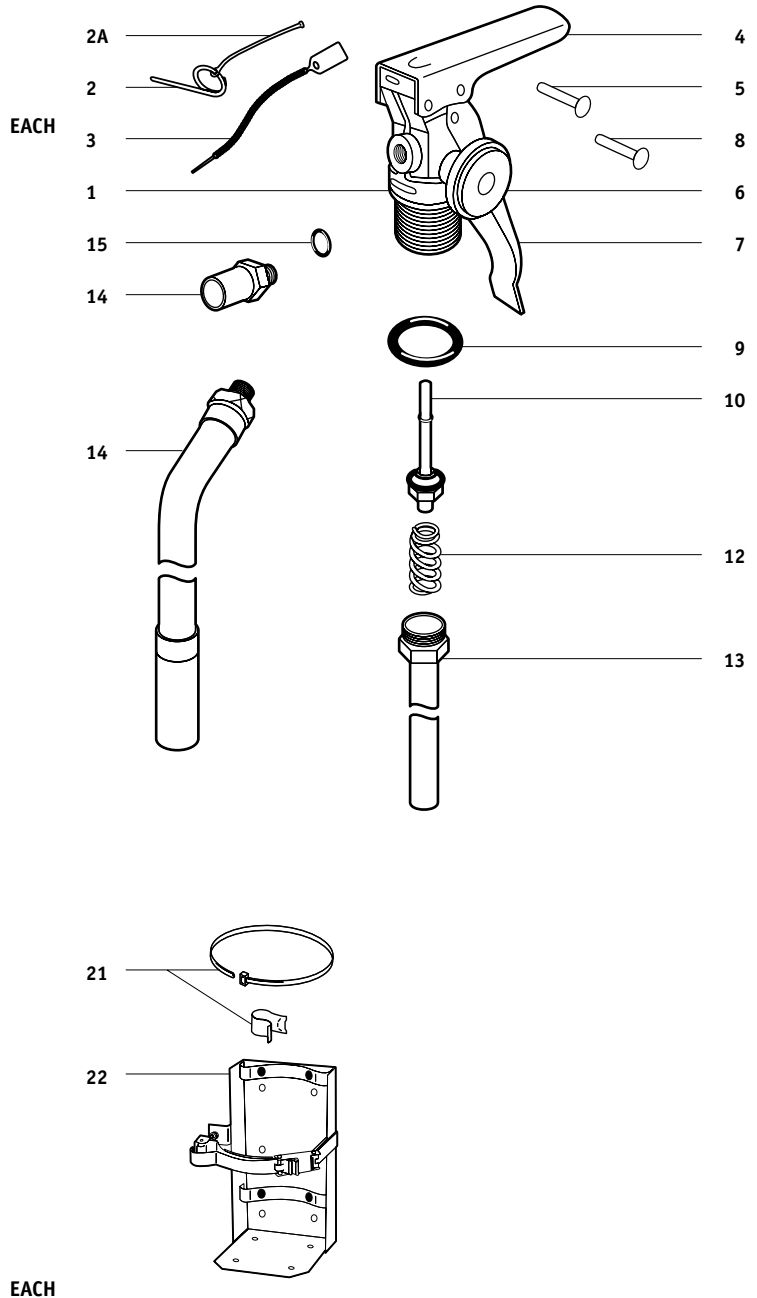
DRY CHEMICAL

400, 400T, 403, 403T, 409T, 410T, 416T, 417, 417T, 425, 425T, 442, 443, 453, 454, 456, 459, 479T, 500, 500T

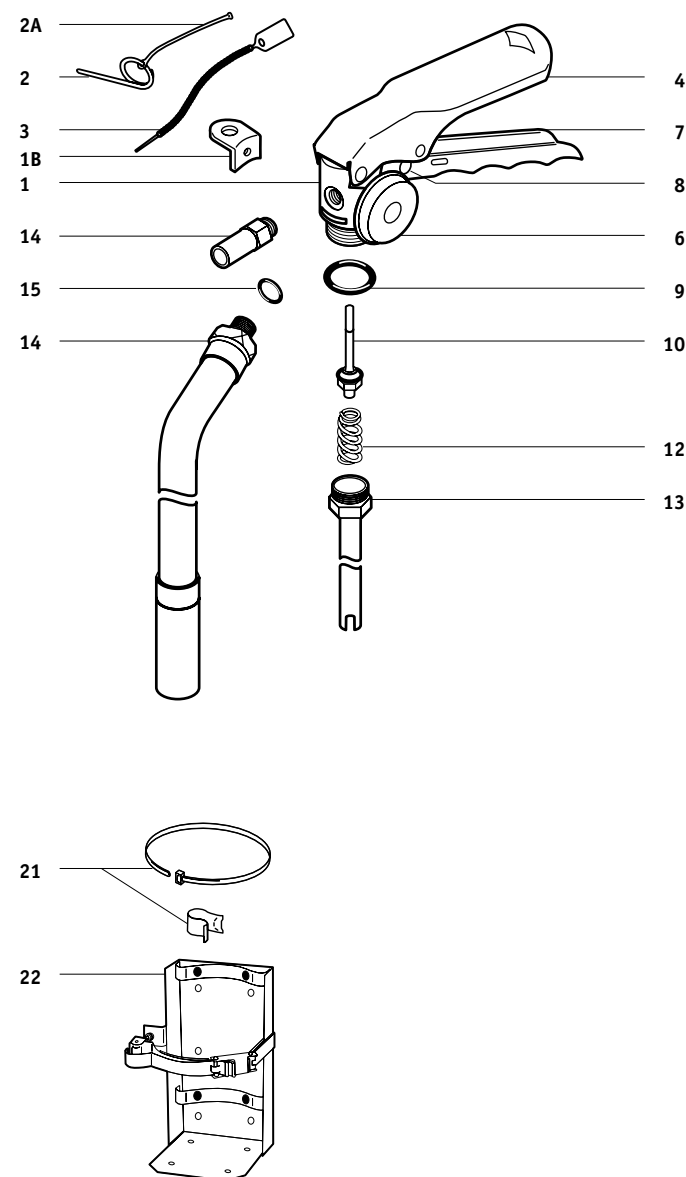
HALON 1211

344, 344T, 352, 354A, 355T, 358

FIG.	P/N	SERVICE & MAINTENANCE PART DESCRIPTION
1	11823A	Valve Assembly All Dry Chemical
2		Pull Pin
2A	532A	Chain (Nylon) for Pull Pin
3		Tamper Seal
4	2625A	Lever & Rivet
5	1060A	Lever Rivet Only
6	G100H	Gauge - 100 (Halon) 344, 344T
6	G125H	Gauge - 125 (Halon) 352T, 355T
6	G195	Gauge - 195 All Dry Chemical
6	G195H	Gauge - 195 (Halon) 354A, 358
7	9001A	Handle & Rivet 344, 344T
7	9003A	Handle & Rivet 400, 400T, 443, 454, 456, 358, 442, 459
8	1064A	Handle Rivet Only
9	5241A	Collar O-Ring
10	6092A	Valve Stem Assembly
12	1074A	Spring
13	1519A	Siphon Tube Assembly 456
13	6212A	Siphon Tube Assembly 409T, 425, 425T, 416T, 355T, 453, 479T, 500, 500T
14	2162A	Hose & Horn Assembly (.140) 454
14	5248A	Hose & Horn Assembly (.152) 479T, 500, 500T, 443
14	5564A	Hose & Horn Assembly (.191) 456
14	6215A	Hose & Horn Assembly (.147) 453
14	7641A	Hose & Horn Assembly (.149) 400, 400T
14	1253A	Nozzle (.166) 425, 425T
14	1276A	Nozzle (.120) 410T
14	1926A	Nozzle (.129) 417, 417T
14	3211A	Nozzle (.120ST) 403T
14	3741A	Nozzle (.173P) 409T, 416T
14	7115A	Nozzle w/ O-Ring (.098) 352T, A352T
15	1532A	Hose Gasket O-Ring
FIG.	P/N	ACCESSORY PART DESCRIPTION
21		Universal Hose Strap/Clip
N/S	1521A	Wall Hanger 400, 425, 453, 479, 500
N/S	4834A	Wall Hanger 344, 417
N/S	5525A	Wall Hanger 442, 443, 454, 456, 459
N/S	861HA	Heavy-Duty Strap Bracket 355, 400, 409, 453, 479, 500
22	5DC	Heavy-Duty Vehicle Bracket 355, 400, 409, 453, 479, 500
22	5HB	Heavy-Duty Vehicle Bracket 443, 456
N/S	AD21	Recharge Adapter
N/S	HTA11	Hydrostatic Test Adapter



11 AMEREX - FIRE EXTINGUISHER PARTS



DRY CHEMICAL

A400, A400T, A402, A402T, A403T, A409T, A410T, A411, A412, A413, A416T, A417, A417T, A443, A453, A456, A457, A459, A479T, A500, A500T, A620T, B402, B402T, B403T, B409T, B410T, B416T, B417, B417T, B443, B456, B457, B459, B453, B479T, B500, B500T

HALON 1211

A352T, A354A, C354, A355, A355T, B355T, C352T

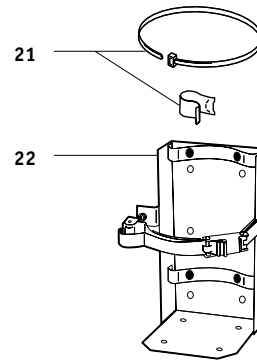
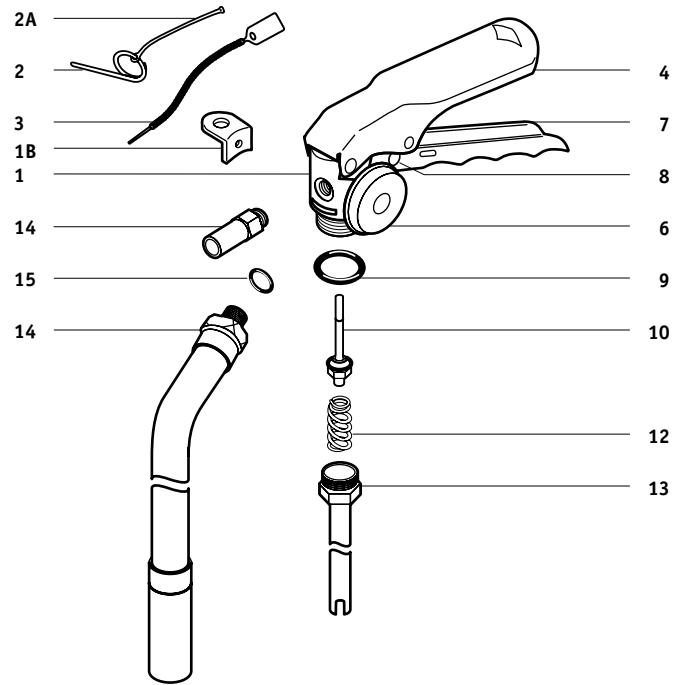
HALOTRON I

A384T, A385TS, A386T, B385TS, B386T, B394TS

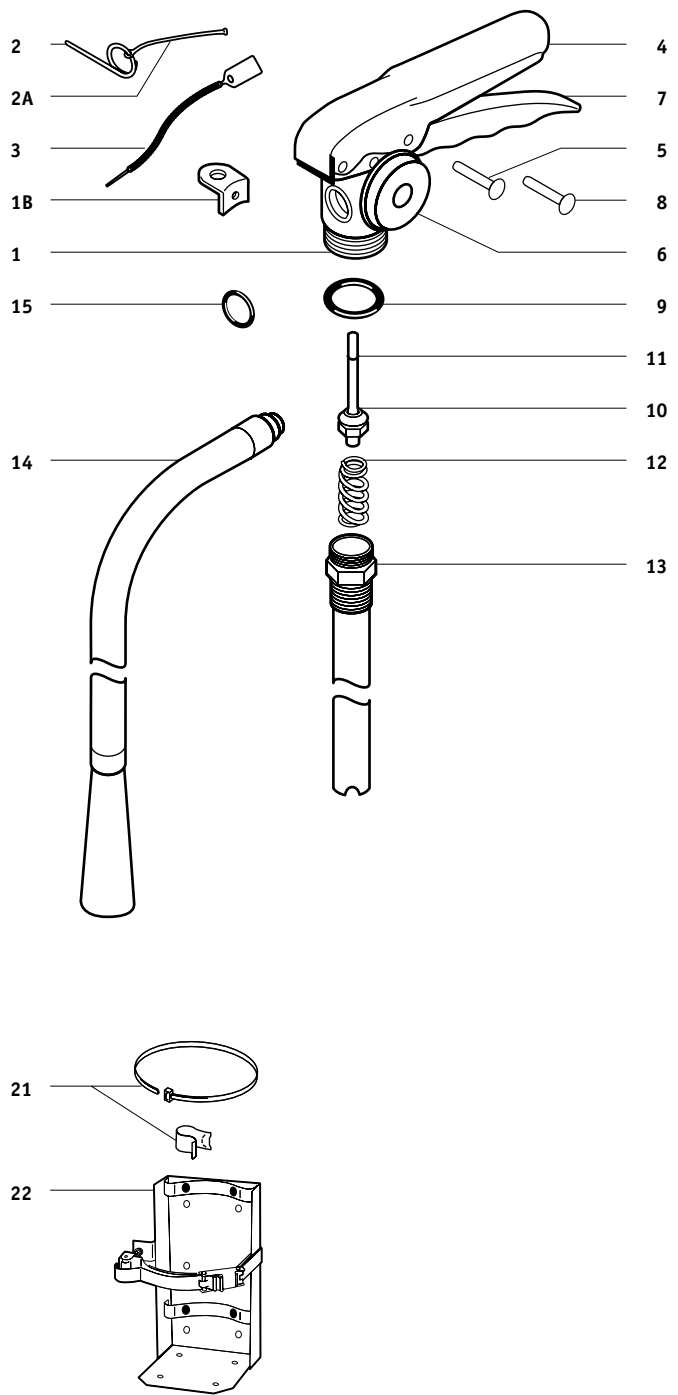
FIG.	P/N	SERVICE & MAINTENANCE PART DESCRIPTION	EACH
1	11823A	Valve Assembly All Dry Chemical, Except 20 lb, A620T	
9	11824A	Valve Assembly 20 lb	
10	1B 14220A	Hanger Loop w/ Screw	
2		Pull Pin	
2A	532A	Chain (Nylon) for Pull Pin	
3		Tamper Seal	
4	11825A	Lever & Rivet All, Except A384T	
N/S	1060A	Lever Rivet Only	
6	G195	Gauge - 195 All Dry Chemical	
6	G125H	Gauge - 125 (Halon) A352T, A355T	
6	G195H	Gauge - 195 (Halon) A354A, C354	
6	G100T	Gauge - 100 (Halotron I) A385TS, A386T	
6	G125T	Gauge - 125 (Halotron I) A384T	
7	11826A	Handle & Rivet All, Except A620T, A411, A412, A413, A384T	
7	12405A	Handle & Rivet A411, A412, A413	
8	1064A	Handle Rivet Only All, Except A411, A412, A413	
9	5241A	Collar O-Ring All Dry Chemical, Halon 1211	
9	14268A	Collar O-Ring (Green) All Halotron I	
10	6092A	Valve Stem Assembly All Dry Chemical, Halon 1211	
10	14327A	Valve Stem Assembly (Green Seal) All Halotron I	
12	1074A	Spring	
13	1519A	Siphon Tube Assembly A456, A457, B456, B457	
13	6212A	Siphon Tube Assembly A402, A402T, A409T, A355T, A453, A479T, A500, A500T, A386T, B402, B402T, B403T, B409T, B410T, B416T, B417, B417T, B453, B479T, B500, B500T, B385TS, B386T	
14	11221A	Hose & Horn Assembly (.209) A411	
14	5248A	Hose & Horn Assembly (.152) A479T, A443, B479T, B443	
14	5564A	Hose & Horn Assembly (.191) A456, A457, B456, B457	
14	6215A	Hose & Horn Assembly (.147) A453, A500, A500T, B453, B500, B500T	
14	7641A	Hose & Horn Assembly (.149) A400, A400T	
14	14849A	Hose & Horn Assembly (.157) A402, A402T, B402, B402T	
14	1276A	Nozzle (.120) A410T, B410T	
14	1926A	Nozzle (.129) A417, A417T, B417, B417T	
14	3211A	Nozzle (.120ST) A403T, B403T	
14	3741A	Nozzle (.173P) A409T, A416T, B409T, B416T	
14	14407A	Nozzle (.121) A384T	
14	14408A	Nozzle (.166) A385TS	
14	14409A	Nozzle (.277) A386T	
14	7115A	Nozzle w/ O-Ring (.098), Pkg/3 A352T	

CONTINUED FROM PAGE 244

FIG.	P/N	SERVICE AND MAINTENANCE PART DESCRIPTION	EACH
15	6978A	Hose Gasket (O-Ring) A411, A412, A413	
15	1532A	Hose Gasket (O-Ring) All 5, 5½, 6, 10 lb	
FIG.	P/N	ACCESSORY PART DESCRIPTION	
21		Universal Hose Strap/Clip	
N/S	1521A	Wall Hanger A386T, A400, A402, A453, A479T, A500, B402*, B453, B479T, B500* (*Thru 2007)	
N/S	16591A	Wall Hanger B402, B500 (2008 & Later)	
N/S	4834A	Wall Hanger A384T, A385TS, A403T, A410T, A417, A620T, B403T, B410T, B417T	
N/S	5525A	Wall Hanger A443, A456, A457, B456, B457	
N/S	WH2	Wall Hanger A411, A412, A413	
N/S	861HA	Heavy-Duty Strap Bracket A355, A400, A402, A409, A453, A479, A500	
22	5DC	Heavy-Duty Vehicle Bracket A355, A400, A402, A409, A453, A479, A500, B402, B409, B453, B479, B500, B386T	
22	5HB	Heavy-Duty Vehicle Bracket A443, A456, A457, B456, B457	
22	15HB	Heavy-Duty Vehicle Bracket A411, A412, A413	
N/S	AD21	Recharge Adapter All, Except A411, A412, A413	
N/S	AD24	Recharge Adapter A411, A412, A413	
N/S	HTA11	Hydrostatic Test Adapter	



11 AMEREX - FIRE EXTINGUISHER PARTS



DRY CHEMICAL
 408, 415, 418T, 419, 423, 424, 441, 447, 460, 461, 462, B424, B441, B447, B460, B461, B462, 692, 693

HALON 1211
 357, 361, 369, B369, 371, B371, 372

HALOTRON I
 387, 388, 397, 398

CLASS D
 570, 571, B570, B571

FIG.	P/N	SERVICE & MAINTENANCE PART DESCRIPTION	EACH
1	11952A	Valve Assembly	
1B	15363A	Hanger Loop w/ Screw	
2		Pull Pin, Stainless Steel	
2A	532A	Chain (Nylon) for Pull Pin	
3		Tamper Seal	
4	7762A	Lever & Rivet	
5	1563A	Lever Rivet Only	
6	G195	Gauge - 195	
6	G125H	Gauge - 125 (Halon)	
6	G195H	Gauge - 195 (Halon)	
6	G125T	Gauge - 125 (Halotron I)	
7	9020A	Handle & Rivets	
8	1564A	Handle Rivet Only	
9	5240A	Collar O-Ring	
9	13305A	Collar O-Ring (Green)	
10	6093A	Valve Stem Assembly	
10	13288A	Valve Stem Assembly (Green Seals)	
11	5243A	Valve Stem O-Ring	
12	383A	Spring	
13	1667A	Siphon Tube	
13	2609A	Siphon Tube	
14	1178A	Hose & Horn Assembly (.173)	
14	1945A	Hose & Horn Assembly (.157)	
14	3339A	Hose & Horn Assembly (.174)	
14	6095A	Hose & Horn Assembly (.152)	
N/S	Z10744AD	Hose Assembly*	
N/S	Z9073AD	O-Ring*	
N/S	Z10800AD	Extension Applicator, w/ Horn & Quick Connect*	
N/S	Z14595AD	Horn*	
N/S	Z10802AD	Female Quick Connect*	
15	6978A	Hose Gasket (O-Ring)	
FIG.	P/N	ACCESSORY PART DESCRIPTION	
21		Universal Hose Strap/Clip	
N/S	WH2	Wall Hanger	
N/S	861HA	Heavy-Duty Strap Bracket	
22	5DC	Heavy-Duty Vehicle Bracket	
22	5HB	Heavy-Duty Vehicle Bracket	
22	10HB	Heavy-Duty Vehicle Bracket	
22	15HB	Heavy-Duty Vehicle Bracket	
N/S	AD24	Recharge Adapter	
N/S	HTA9	Hydrostatic Test Adapter	

© BROOKS EQUIPMENT COMPANY, LLC 2016. ALL RIGHTS RESERVED. BROOKS EQUIPMENT® IS A REGISTERED TRADEMARK OF BROOKS EQUIPMENT, LLC.

* NOTE: These parts fit extinguishers manufactured after Aug. 1991 and can be retrofitted to earlier models provided that all parts are replaced.

DRY CHEMICAL (High Performance)

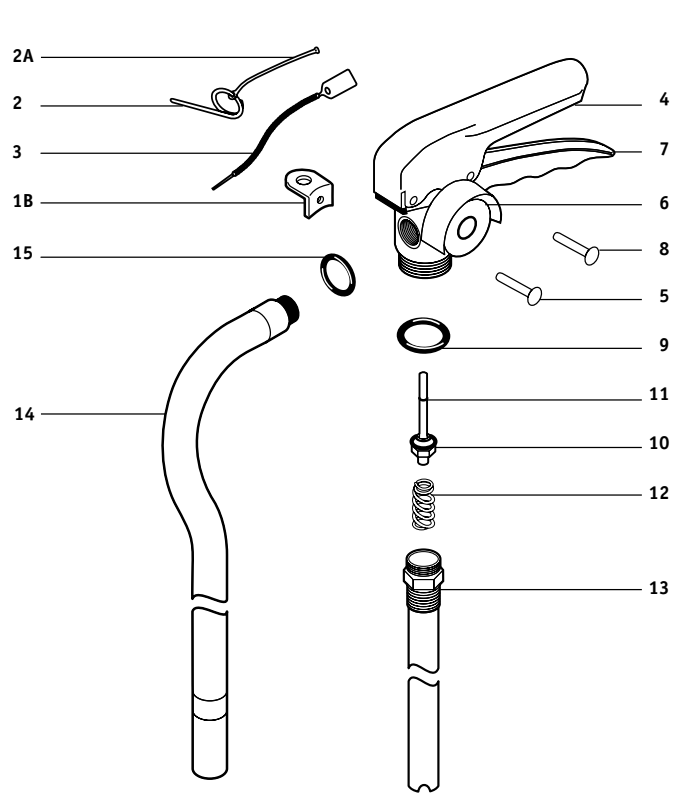
564, 566, 567, 568, 569, 580, 581, 582, 584, 589, 591, 592, 594, 595, 599

FIG. P/N SERVICE & MAINTENANCE PART DESCRIPTION EACH

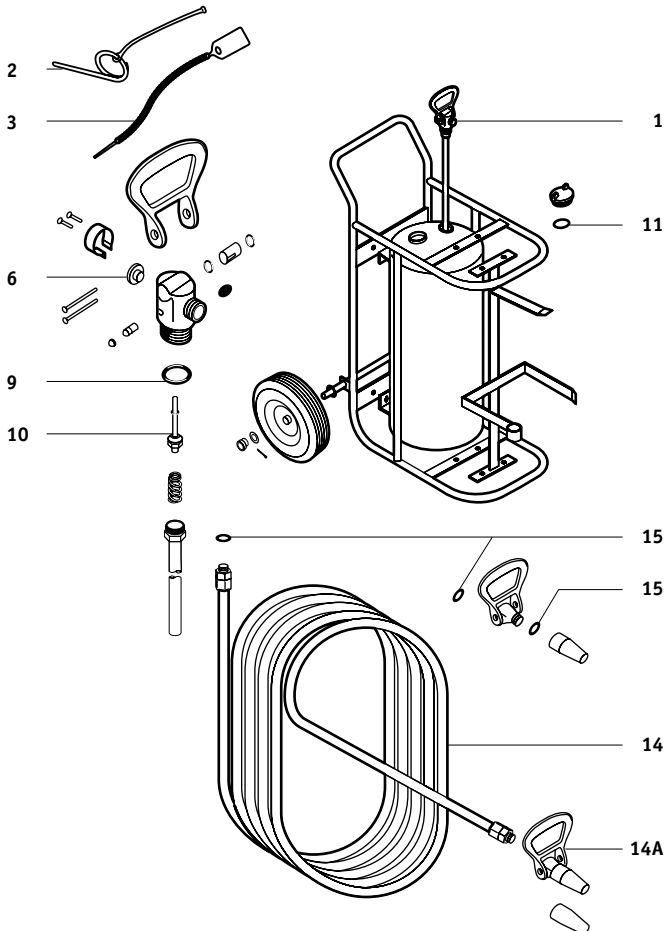
1B	9584A	Hanger Loop w/ Screw
2		Pull Pin, Stainless Steel
2A	532A	Chain (Nylon) for Pull Pin
3		Tamper Seal
4	9840A	Lever & Rivet
5	1563A	Lever Rivet Only
6	G240	Gauge - 240
7	9020A	Handle & Rivets
8	1564A	Handle Rivet Only
9	5240A	Collar O-Ring
10	6093A	Valve Stem Assembly
11	5243A	Valve Stem O-Ring
12	383A	Spring
13	1667A	Siphon Tube
		All 20 lb
14	14787A	Hose & Horn Assembly (.166)
		564 (Oct. 1999 & later)
14	14786A	Hose & Horn Assembly (.157)
		566 (Oct. 1999 & later)
14	14789A	Hose & Horn Assembly (.312)
		567, 568, 569, 584 (Oct. 1999 & later)
15	6978A	Hose Gasket (O-Ring)

FIG. P/N ACCESSORY PART DESCRIPTION

N/S		Universal Hose Strap/Clip
		All 1999 later
N/S	AD36	Recharge Adapter
		All Prior to 1999
N/S	AD24	Recharge Adapter
		All 1999 later
N/S	HTA9	Hydrostatic Test Adapter



11 AMEREX - FIRE EXTINGUISHER PARTS



DRY CHEMICAL

476, 477, 478, 488, 489, 490

HALON 1211

600, 610

HALOTRON I

673, 674, 675, B674, B675

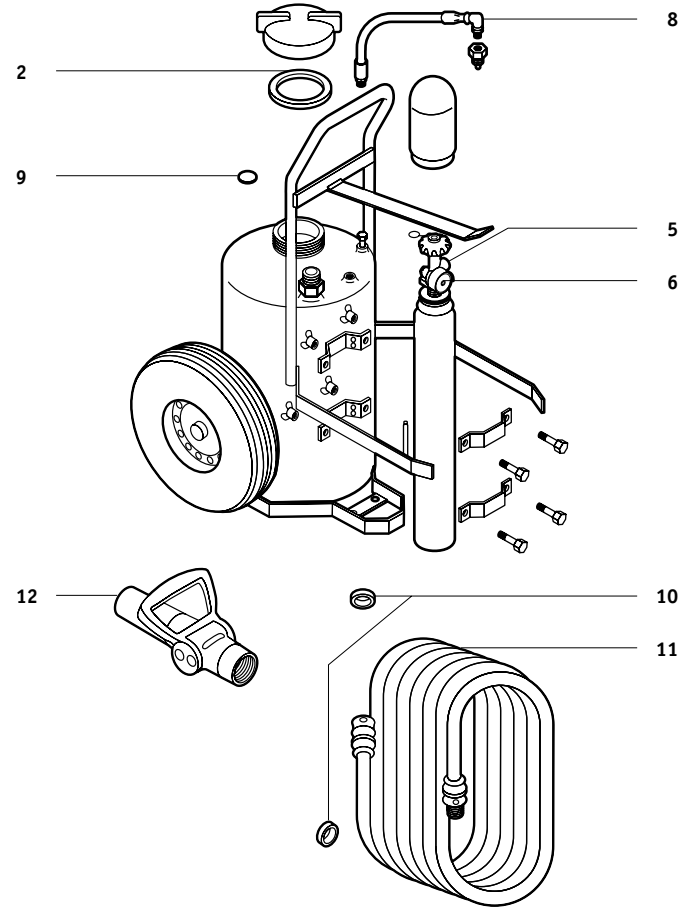
FIG.	P/N	SERVICE & MAINTENANCE PART DESCRIPTION	EACH
1	5197AD	Valve Assembly w/ Siphon Tube (Special Order) Dry Chemical	
N/S	3787A	Safety Disc Assembly	
2		Large Loop Pull Pin	
3		Tamper Seal	
6	G240	Gauge - 240 Dry Chemical	
6	G100T	Gauge - 100 (Halotron I) 673	
6	G125T	Gauge - 125 (Halotron I) 674, 675	
9	5239A	Collar O-Ring Dry Chemical & Halon 1211	
10	5067A	Valve Stem Assembly Dry Chemical & Halon 1211	
11	8392A	Fill Cap Gasket Dry Chemical	
14	3501AD	Hose, 3/4" x 50' (Special Order)	
14A	Z5191AD	Nozzle Assembly - Ball Valve & Tip (Special Order) 476, 477, 488, 489	
14A	Z7432AD	Nozzle Assembly - Ball Valve & Tip (Special Order) 478, 490	
14A	Z5295AD	Nozzle Assembly - Ball Valve & Tip (Special Order) 600, 610	
15	3877A	Nozzle & Hose Gasket	
FIG.	P/N	ACCESSORY PART DESCRIPTION	
N/S	AV1	Air Valve	
N/S	5720A	Recharge/Hose Hydrotest Adapter	
N/S	HTA24	Hydrotest Adapter Cylinder	

CYLINDER OPERATED DRY CHEMICAL

450, 451, 452, 467, 468, 469, 470, 471, 472

FIG.	P/N	SERVICE & MAINTENANCE PART DESCRIPTION	EACH
2	2272A	Gasket, Cap	
5	12467A	Nitrogen Valve w/ Gauge T-Handle, Quick-Release Valve	
N/S	9897AD	Valve Stem Assembly T-Handle, Quick-Release Valve	
6	G3000	Gauge - 3000	
8	2234A	Nitrogen Hose Assembly 467, 468, 469, 470, 471, 472	
8	3818AD	Nitrogen Hose Assembly 450, 451, 452	
9	7411A	Moisture Seal	
10	3877A	Gasket, Hose, & Nozzle	
11	3501AD	Hose Assembly, 50' (Special Order)	
12	6717AD	Nozzle Assembly 450, 451, 452	

FIG.	P/N	ACCESSORY PART DESCRIPTION
N/S	4892A	Hydrostatic Test Adapter, Cylinder
N/S	5720A	Hydrostatic Test Adapter, Hose



DRY CHEMICAL

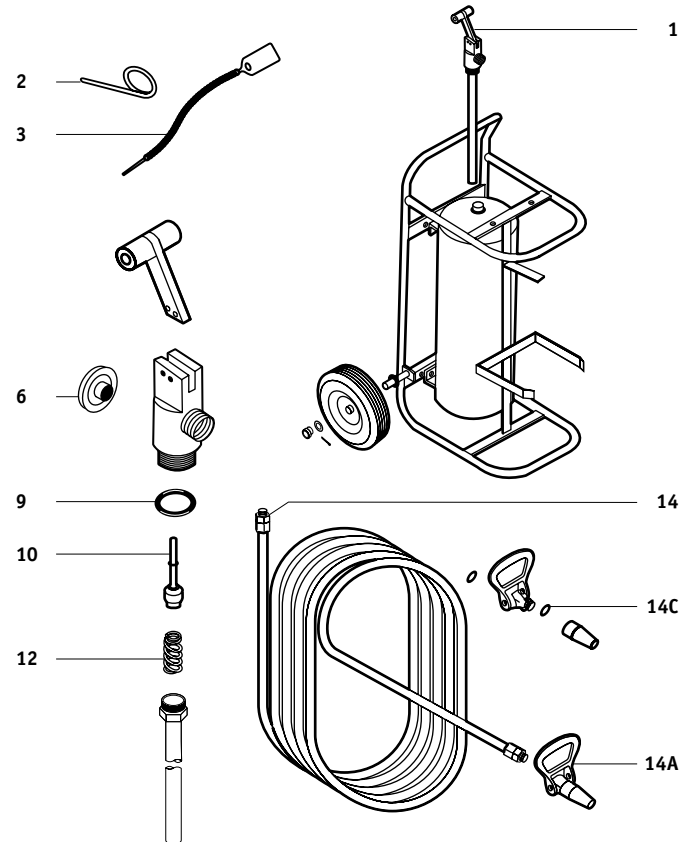
473, 474, 475, 495, 496, 497

HALON 1211

611, 695

FIG.	P/N	SERVICE & MAINTENANCE PART DESCRIPTION	EACH
1	Z6018AD	Valve Assembly w/ Siphon Tube (Special Order) Dry Chemical	
2		Large Loop Pull Pin	
3		Tamper Seal	
6	G240	Gauge - 240 Dry Chemical	
9	5240A	Collar O-Ring	
10	6022A	Valve Stem Assembly	
12	383A	Spring	
14	6015A	Hose, 1/2" x 25' (Special Order)	
14A	Z6395AD	Nozzle Assembly—Ball Valve & Tip (Special Order) 496 Dry Chemical, 695 Halon	
14A	Z6396AD	Nozzle Assembly—Ball Valve & Tip (Special Order) 497	
14C	3877A	Nozzle Gasket	

FIG.	P/N	ACCESSORY PART DESCRIPTION
N/S	AV1	Air Valve
N/S	6160A	Recharge Adapter
N/S	HTA9	Hydrotest Adapter



11 AMEREX - FIRE EXTINGUISHER PARTS

CARBON DIOXIDE

322, 330, 331, 332

FIG. P/N SERVICE & MAINTENANCE PART DESCRIPTION EACH

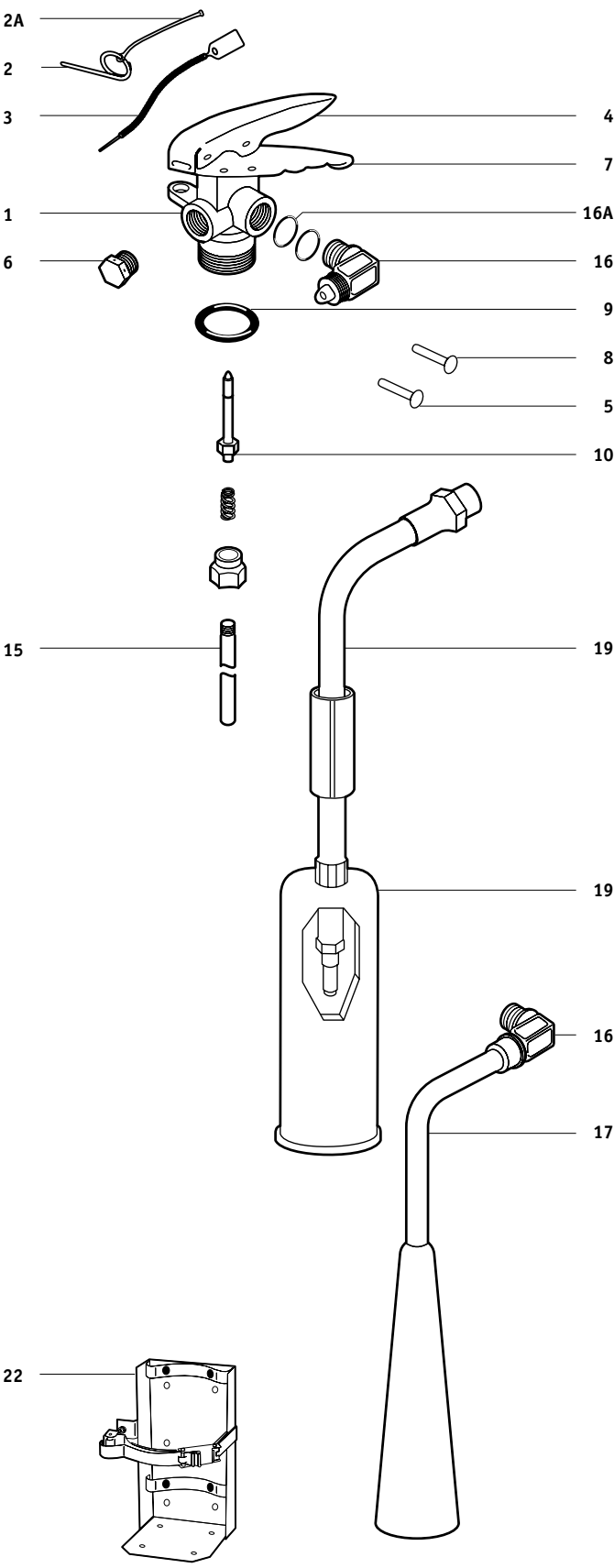


FIG.	P/N	SERVICE & MAINTENANCE PART DESCRIPTION	EACH
1	3090A	Valve Assembly w/o Elbow or Siphon Tube	
2		Pull Pin, Stainless Steel	
2A	532A	Chain (Nylon) for Pull Pin	
3		Tamper Seal	
4	7762A	Lever & Rivet	
5	1563A	Rivet Only for Lever	
6	4000A	Safety Disc, Gasket, & Nut Assembly	
7	9020A	Handle & Rivets	
8	1564A	Handle Rivet (Only)	
9	1124A	Collar O-Ring	
10	1539A	Valve Stem Assembly	
15	564A	Siphon Tube	
16		330	
15	589A	Siphon Tube	
		331, 332	
9	15	533A	Siphon Tube
		322	
8	16	2309A	Elbow w/ O-Ring & Spacer
		330, 331, 332	
5	16	2735A	Elbow w/ O-Ring
		322	
10	16A	5689A	O-Ring for Elbow
17	1769A	Discharge Tube	
		322	
19	1782A	Hose & Horn Assembly	
		330	
19	1705A	Hose & Horn Assembly	
		331, 332	
FIG.	P/N	ACCESSORY PART DESCRIPTION	
N/S	AX20570	Strap & Clip	
		330, 331	
N/S	AX20571	Strap & Clip	
		332	
N/S	RDS20	Strap	
		332	
N/S	RDS15	Strap	
		330, 331	
N/S	RDBACLIP	Horn Clip	
		330, 331, 332	
N/S	SET6	Hardware Set	
		330, 331, 332	
N/S	BL209	Replacement Nameplate 5 lb (Non-UL)	
		322	
N/S	BL210	Replacement Nameplate 10-20 lb (Non-UL)	
		330, 331, 332	
N/S	WH5	Wall Hanger	
		322	
N/S	WH15	Wall Hanger	
		330, 331	
N/S	WH20	Wall Hanger	
		332	
22	5HB	Heavy-Duty Vehicle Bracket	
		322	
22	15HB	Heavy-Duty Vehicle Bracket	
		330, 331	
22	20HB	Heavy-Duty Vehicle Bracket	
		332	

WATER/FOAM/LOADED STREAM

240, 250, 250CG, 252, 254

WET CHEMICAL

260, 262, B260, B262

WATER MIST

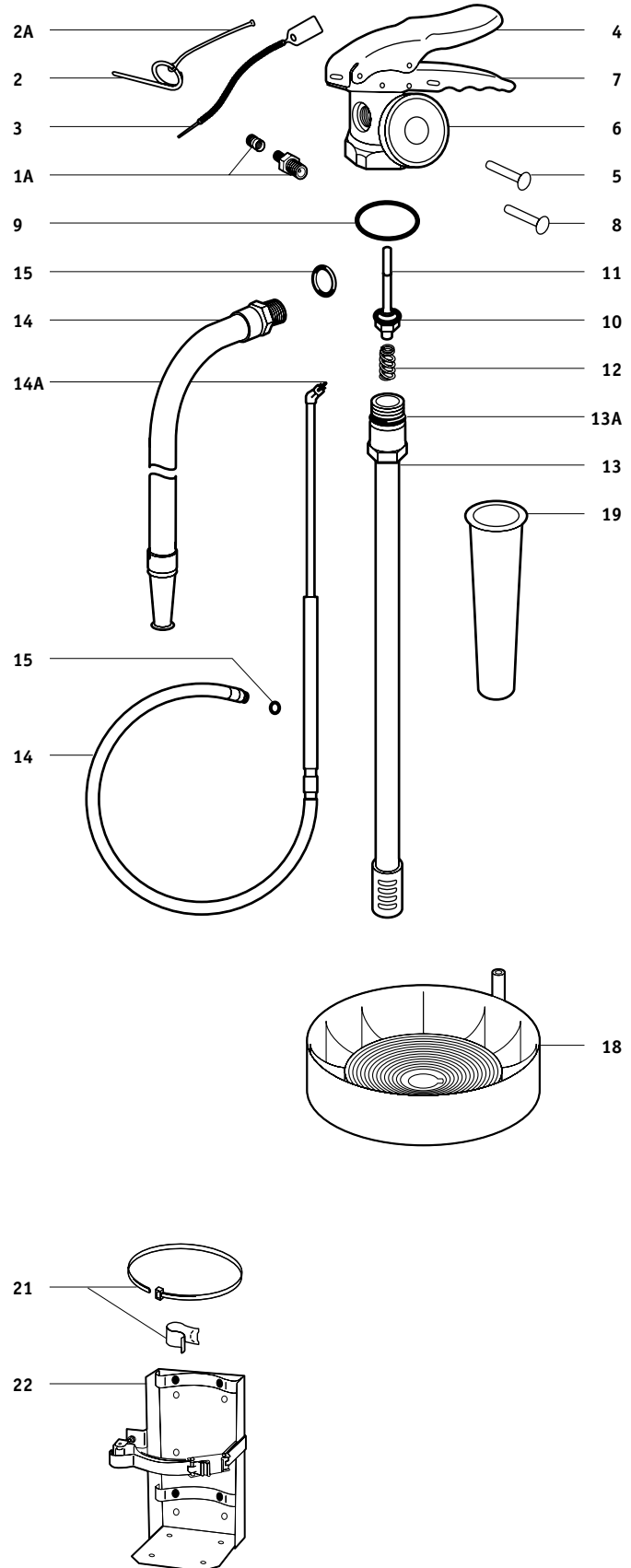
270, 272, B270, B272, B270NM, B272NM

FIG. P/N SERVICE & MAINTENANCE PART DESCRIPTION

2		Pull Pin, Stainless Steel
2A	532A	Chain (Nylon) for Pull Pin
3		Tamper Seal
4	7762A	Lever & Rivet
5	1563A	Lever Rivet (Only)
6	G100WS	Gauge - 100
		All, Except Wet Chemical Models
6	G100K	Gauge - 100
		All Wet Chemical Models
7	9020A	Handle & Rivets
8	1564A	Handle Rivet (Only)
9	5240A	Collar O-Ring
10	6093A	Valve Stem Assembly
		All, Except Wet Chemical, Water Mist
10	14878A	Valve Stem Assembly
		All Wet Chemical, Water Mist
11	5243A	Valve Stem O-Ring
12	383A	Spring
13	15941A	Siphon Tube Assembly
		254, 270, B270, B270NM
13	15943A	Siphon Tube Assembly
		240, 250, 252, 272, B272, B272NM
13	16266A	Siphon Tube Assembly
		B260
13	16267A	Siphon Tube Assembly
		B262
13A	5690A	O-Ring - Siphon Tube
14	14588A	Hose & Wand Assembly (Replaces 13576)
		260, 262
14	16043A	Hose & Nozzle Assembly
		B260
14	16101A	Hose & Nozzle Assembly
		B262
14	6982A	Hose & Aspirated Nozzle Assembly
		252
14	6999A	Hose & Nozzle Assembly
		240
14	7000A	Hose & Aspirated Nozzle Assembly
		250
14	14184A	Hose & Nozzle Assembly
		272, B272, B272NM
14A	13757A	Nozzle
		272, B272, B272NM
15	6978A	Hose Gasket (O-Ring)
18	3109A	Foot Stand (Black)
		260, 262, B260, B262
18	3576A	Foot Stand w/ Clip (Black)
		240
18	3776A	Foot Stand w/ Post (Black)
		250, 252
19	2595A	Fill Tube
N/S	504A	Model 504, 1.14 L, FFFP Premix Charge
		252
N/S	502A	Model 502, 8 oz, AFFF Premix Charge
		250, 254
N/S	AX506	Anti-Freeze Charge
N/S	AX5302	Wet Chemical Recharge, 6 L
N/S	AX660	Wet Chemical Charge, 2.5 gal
N/S	AX6702	Deionized Water Charge, 6 L
N/S	AX6712	Deionized Water Charge, 2.5 gal

FIG. P/N ACCESSORY PART DESCRIPTION

1A	AV1	Pressure Valve & Cap Assembly
N/S	CORE	Pressure Valve Core, Pkg/50
N/S	AVC	Pressure Cap, Pkg/50
21	14838A	Hose Strap & Clip
		270, 272, B270, B272, B270NM, B272NM
21	LCC38	Universal Hose Strap/Clip
		260, 262, B260, B262
22	15HB	Heavy-Duty Vehicle Bracket
N/S	AD24	Recharge Adapter
		250, 252, 254, 260, 262 (w/o Air Valves)
N/S	AD36	Recharge Adapter
		270, 272, B260, B262, B270, B272, B270NM, B272NM
N/S	HTA10	Hydrostatic Test Adapter



11 ANSUL - FIRE EXTINGUISHER PARTS

DRY CHEMICAL

SY-0513, SY-0514, SY-0613, SY-0614, SY-0623, SY-0624, SY-0633, SY-0634, SY-1013, SY-1014, SY-1015, SY-1023, SY-1024, SY-1033, SY-1034, SY-2013, SY-2014, SY-2023, SY-2024, SY-2033, SY-2034

HALON 1211

SY-0541, SY-0942, SY-1441, SY-1741

CLEANGUARD (FE36)

CA-0581, CA-0681, CA-0981, CA-1081, CA-1381, CA-1481

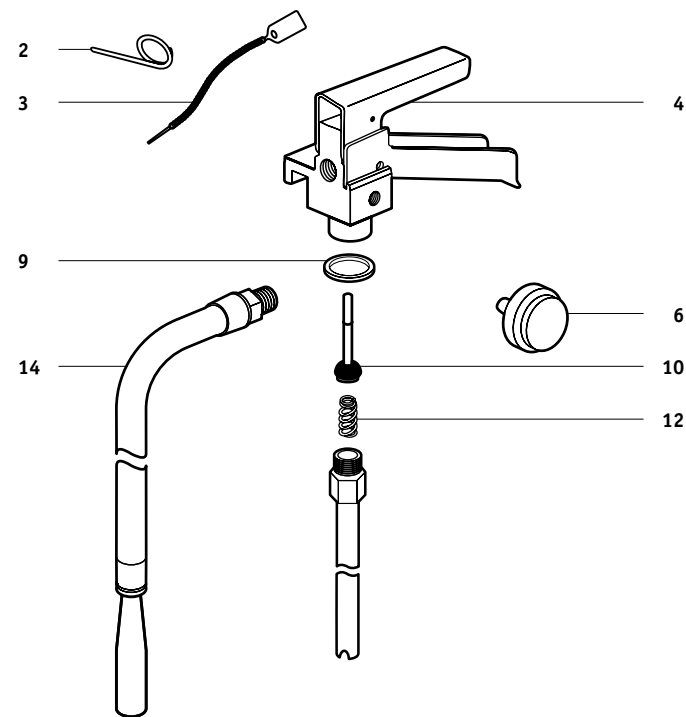


FIG.	P/N	SERVICE & MAINTENANCE PART DESCRIPTION	EACH
2		Pull Pin	
3		Tamper Seal	
6	G100H	Gauge - 100 (Halon)	
		SY-0541	
6	G125H	Gauge - 125 (Halon)	
		SY-0941	
6	G195	Gauge - 195	
		All Dry Chemical	
6	G195H	Gauge - 195 (Halon)	
		SY-1441, 1741	
6	428940AS	Gauge (FE36) (Replaces 419493)	
		All Cleanguard	
9	16222AS	Collar Quad Ring	
		All Dry Chemical	
9	21882AS	Collar Quad Ring	
		All Halon, Cleanguard	
10	ASVS4	Valve Stem Assembly	
12	29256AS	Spring	
14	30617AS	Hose & Nozzle Assembly	
		SY-2013, 2014, 2033, 2034	
14	30618AS	Hose & Nozzle Assembly	
		SY-2023, 2024	

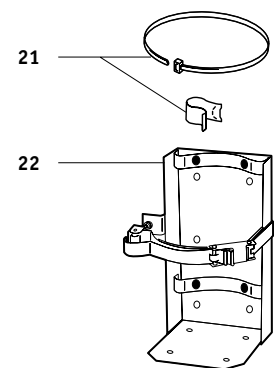


FIG.	P/N	ACCESSORY PART DESCRIPTION
21		Universal Hose Strap/Clip
22	10HB	Heavy-Duty Vehicle Bracket
		9-14 lb
22	15HB	Heavy-Duty Vehicle Bracket
		17, 20 lb
N/S	ASWH2	Wall Hanger
		Up to 9 lb, SY-1015
N/S	ASWH3	Wall Hanger
		10, 14 lb (Except SY-1015)
N/S	ASWH4	Wall Hanger
		17, 20 lb
N/S	AD30	Recharge Adapter
N/S	HTA9	Hydrostatic Test Adapter
N/S	7602AC	Hydrostatic Test Instructions

DRY CHEMICAL

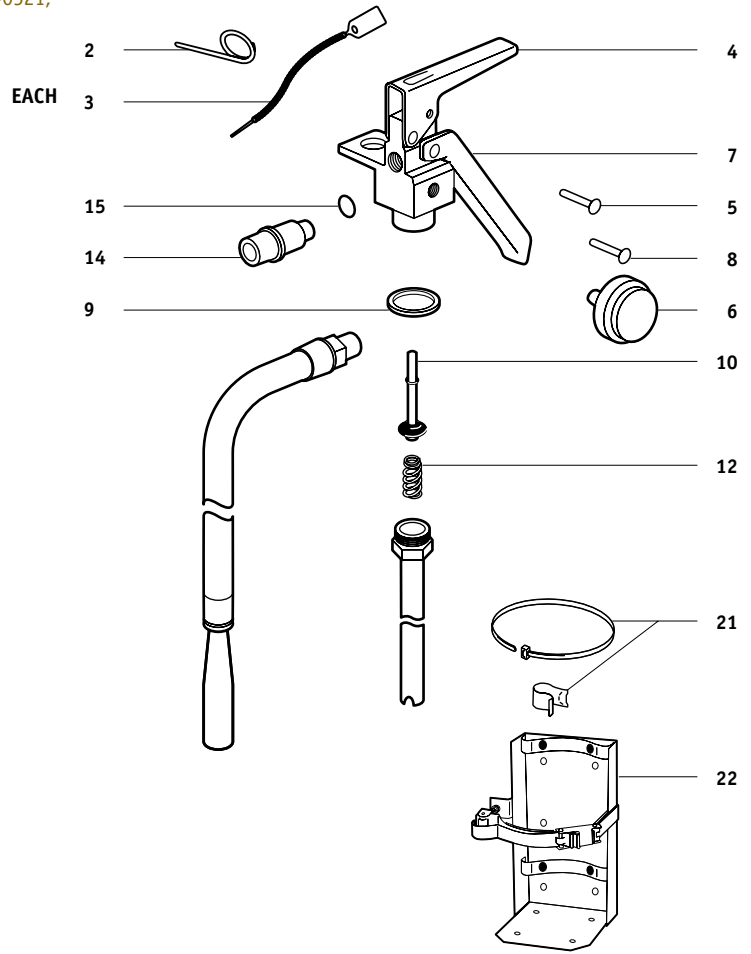
SY-0212, SY-0214, SY-0215, SY-0216, SY-0236, SY-0515, SY-0516, SY-0517, SY-0521, SY-0531, SY-0635

HALON 1211

SY-0241, SY-0242, SY-0243

FIG.	P/N	SERVICE & MAINTENANCE PART DESCRIPTION
2		Pull Pin
3		Tamper Seal
4	ASL1	Lever (Replaces 68169)
5	25719AS	Lever Rivet
6	G100H	Gauge - 100 (Halon) SY-0241, 0242, 0243
6	G195	Gauge - 195 All Dry Chemical
7	ASH1	Handle (Replaces 79119)
8	25720AS	Handle Rivet
9	79122AS	Collar O-Ring (Replaces Quad-Ring 25765) Dry Chemical
10	ASVS5	Valve Stem Assembly All Dry Chemical, Except SY-0516, 0517, 0521, 0531
10	429099AS	Valve Stem Assembly SY-0516, 0517, 0521, 0531, SY-0241, 0242, 0243
12	415565AS	Spring SY-0516, 0517, 0521, 0531
14	ASN1	Nozzle (Replaces 27099) SY-0212, 0214, 0215, 0216
14	54444AS	Nozzle SY-0515 w/o Hose
15	16047AS	O-Ring, Nozzle SY-0212, 0214, 0215, 0216, 0236, 0515

FIG.	P/N	ACCESSORY PART DESCRIPTION
21		Universal Hose Strap/Clip
N/S	24610AS	Bracket Assembly SY-0212, 0214, 0216, 0236
N/S	415824AS	Bracket Assembly SY-0516, 0517, 0521, 0531
22	5DC	Heavy-Duty Vehicle Bracket SY-0516, 0517, 0521, 0531
N/S	AD22	Recharge Adapter SY-0212, 0214, 0215, 0216, 0236, 0515
N/S	AD35	Recharge Adapter SY-0516, 0517, 0521, 0531
N/S	HTA11	Hydrostatic Test Adapter
N/S	7602AC	Hydrostatic Test Instructions



11 ANSUL - FIRE EXTINGUISHER PARTS

DRY CHEMICAL

A10I, PK10I, C10I, A20I, PK20I, C20I, AA10SI, AA20SI, PK10SI

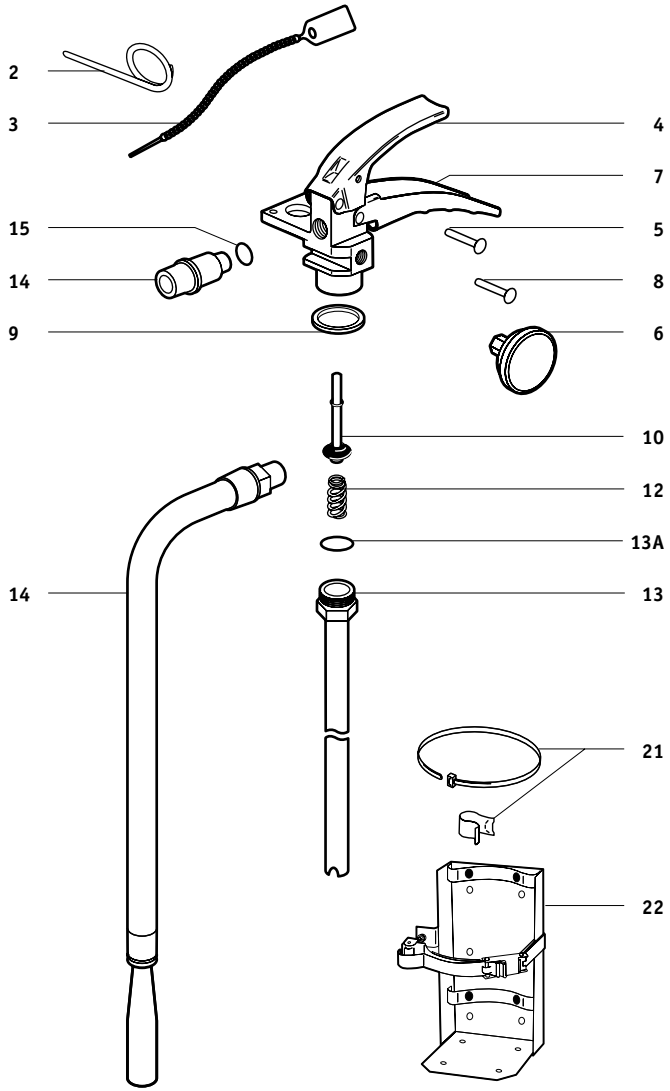


FIG.	P/N	SERVICE & MAINTENANCE PART DESCRIPTION	EACH
2		Pull Pin	
3		Tamper Seal	
4	428428AS	Lever	
5	428130AS	Lever Rivet	
6	G195	Gauge - 195	
7	428429AS	Handle	
8	428130AS	Handle Rivet	
9	428327AS	Collar O-Ring	
10	428431AS	Valve Stem Assembly	
12	415565AS	Spring	
13	428797AS	Siphon Tube	
		All 10 lb	
13	428799AS	Siphon Tube	
		All 20 lb	
13A	76076AS	Siphon Tube O-Ring	
14	428733AS	Hose & Nozzle Assembly	
		A10I, C10I	
10	14	428735AS	Hose & Nozzle Assembly
		PK10I	
12	14	428737AS	Hose & Nozzle Assembly
		A20I	
13A	14	428739AS	Hose & Nozzle Assembly
		PK20I	
FIG.	P/N	ACCESSORY PART DESCRIPTION	
21		Universal Hose Strap/Clip	
22	10HB	Heavy-Duty Vehicle Bracket	
		All 10 lb	
22	15HB	Heavy-Duty Vehicle Bracket	
		All 20 lb	
N/S	WH15	Wall Hanger	
		All 10 lb	
N/S	WH20	Wall Hanger	
		All 20 lb	
N/S	AD23	Recharge Adapter	
N/S	HTA43	Hydrostatic Test Adapter	
N/S	7602AC	Hydrostatic Test Instructions	

DRY CHEMICAL

A02, A02VB, A02S, A02SVB, C02VB, A05, A05S, AA05, AA05-1, AA05S-1, A05VB, AA05VB, PK05, C05, A10H, A10T, AA10S, PK10, PK10S, C10, C10S, AA20, AA20-1, PK20, C20

CLEANGUARD (FE36)

FE02VB, FE05, FE09, FE13

FIG. P/N SERVICE & MAINTENANCE PART DESCRIPTION

1	429084ASD	Valve Assembly All 5 lb, Except A05S, AA05S-1, & Cleanguard
1	429085ASD	Valve Assembly A10H, C10, PK10
1	429087ASD	Valve Assembly All 20 lb
2		Pull Pin
3		Tamper Seal
4	429096AS	Lever All Except A02S, A02SVB
5	428130AS	Lever Rivet
6	G125	Gauge - 125 A02S, A02SVB
6	G195	Gauge - 195 All Dry Chemical Except A02S, A02SVB
6	426264AS	Gauge (FE36) FE02VB, FE05
6	428940AS	Gauge (FE36) FE09, FE13
7	429097AS	Handle All Except A02S, A02SVB
8	428130AS	Handle Rivet
9	428327AS	Collar O-Ring
10	429099AS	Valve Stem Assembly
12	415565AS	Spring
13	428795AS	Siphon Tube All 2.5 lb, FE02VB
13	428796AS	Siphon Tube All 5 lb, FE05, Except A05S, AA05S-1
13	442951AS	Siphon Tube A05S, AA05S-1
13	428797AS	Siphon Tube A10H, C10, PK10, FE09, AA10S, C10S, PK10S
13	428798AS	Siphon Tube A10T
13	428799AS	Siphon Tube All 20 lb, FE13
13A	76076AS	Siphon Tube O-Ring
14	428269AS	Nozzle A02, A02VB
14	436805AS	Nozzle A02S, A02SVB
14	428729AS	Hose & Nozzle Assembly AA05, AA05VB
14	428728AS	Hose & Nozzle Assembly A05, A05VB
14	442350AS	Hose & Nozzle Assembly A05S
14	442354AS	Hose & Nozzle Assembly AA05S-1
14	428732AS	Hose & Nozzle Assembly A10T, A10H, C10, C10S
14	428734AS	Hose & Nozzle Assembly PK10, PK10S
14	428736AS	Hose & Nozzle Assembly AA20, AA20-1
14	428738AS	Hose & Nozzle Assembly PK20
14	428740AS	Hose & Nozzle Assembly C20
15	434908AS	Hose & Nozzle Assembly AA05-1, AA05VB-1
15	436592AS	Hose & Nozzle Assembly AA10S
15	57744AS	Nozzle O-Ring FE02VB

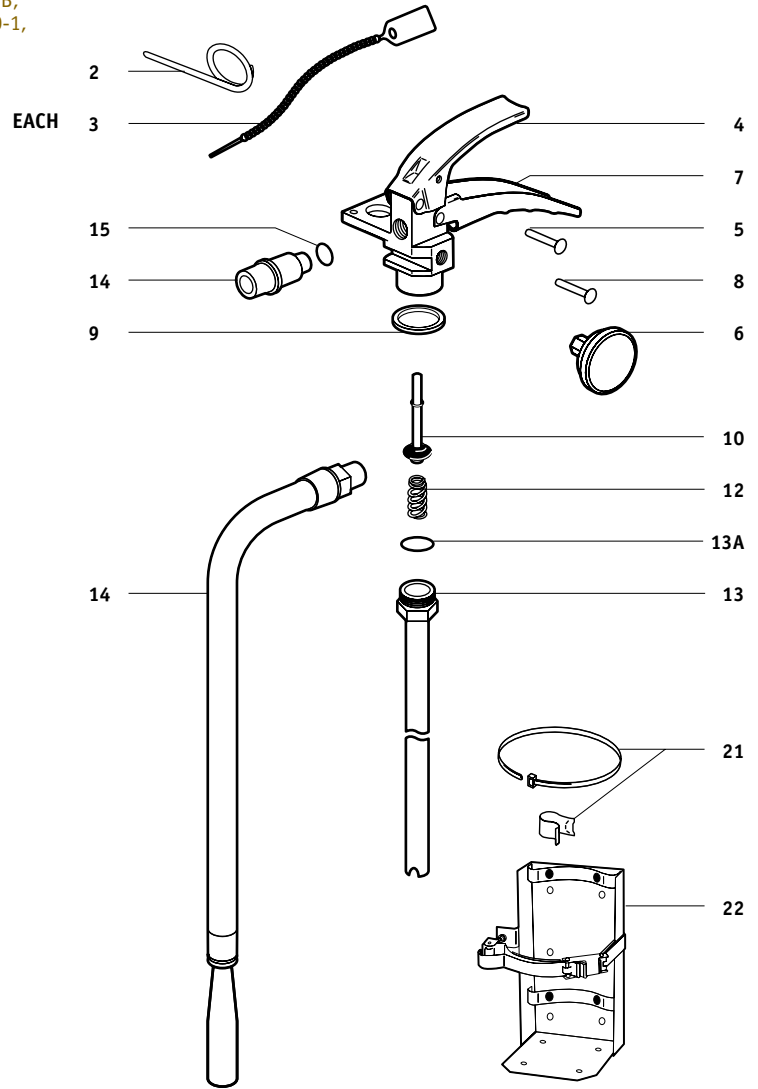
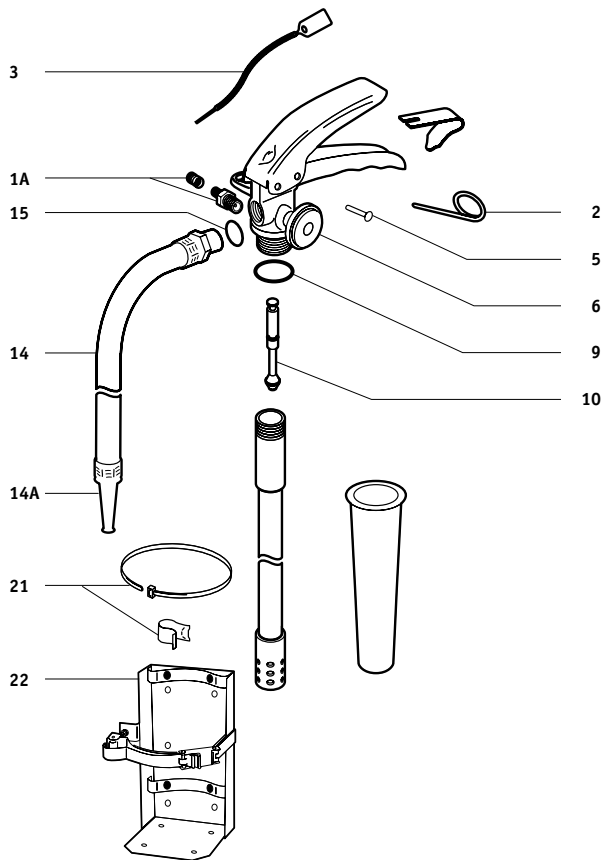


FIG.	P/N	ACCESSORY PART DESCRIPTION	EACH
21		Universal Hose Strap/Clip	
22	5DC	Heavy-Duty Vehicle Bracket 5 lb	
22	10HB	Heavy-Duty Vehicle Bracket 9-14 lb	
22	15HB	Heavy-Duty Vehicle Bracket 17, 20 lb	
N/S	WH5	Wall Hanger Up to 9 lb	
N/S	WH15	Wall Hanger 10, 14 lb	
N/S	WH20	Wall Hanger 17, 20 lb	
N/S	AD23	Recharge Adapter	
N/S	AD38	Recharge Adapter A02S, A02SVB	
N/S	HTA43	Hydrostatic Test Adapter	
N/S	7602AC	Hydrostatic Test Instructions	

11 ANSUL - FIRE EXTINGUISHER PARTS



WATER & WET CHEMICAL

W02, K01

FIG.	P/N	SERVICE & MAINTENANCE PART DESCRIPTION	EACH
2		Pull Pin, Stainless Steel	
3		Tamper Seal	
5	429165AS	Lever Rivet	
6	G100WS	Gauge - 100	
9	429537AS	Collar O-Ring	
10	552144FG*	Valve Stem Assembly	
14A	426074AS	Nozzle Tip	
15	429544AS	Hose O-Ring	
N/S	A430182	PRX™ Liquid Agent, 6 L	
N/S	A423320	PRX Liquid Agent, 5 gal	
FIG. P/N ACCESSORY PART DESCRIPTION			
1A	AV1	Pressure Valve & Cap Assembly	
N/S	CORE	Pressure Valve Core, Pkg/50	
N/S	AVC	Pressure Cap, Pkg/50	
21		Universal Hose Strap/Clip	
N/S	15HB	Heavy-Duty Vehicle Bracket	
N/S	WH20	Wall Hanger	
N/S	AD24	Recharge Adapter	
N/S	HTA46	Hydrostatic Test Adapter	
N/S	429656AS	Service Manual (Wet Chemical)	
N/S	7602AC	Hydrostatic Test Instructions	

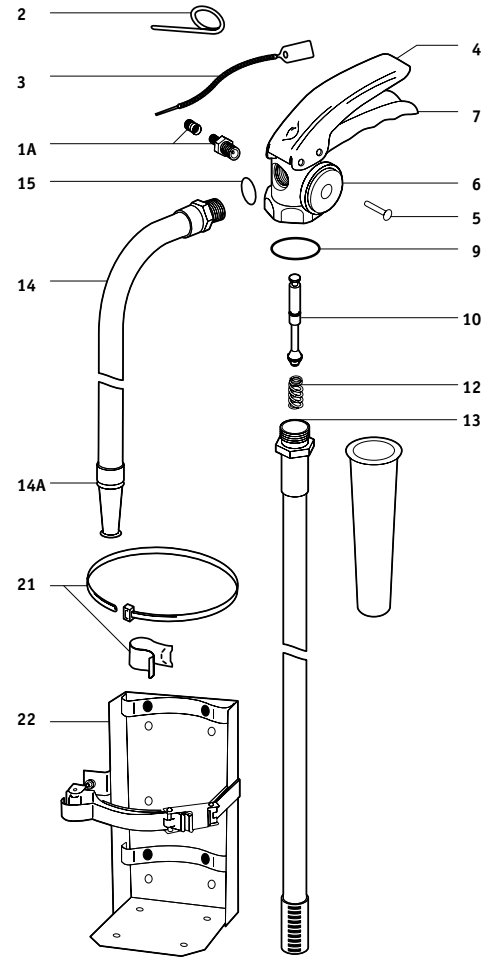
*WHILE QUANTITIES LAST!

PRX™ is a mark of Tyco Fire Products LP.

WATER & WET CHEMICAL

W02-1, K01-1, K01-2, K01-3

FIG.	P/N	SERVICE & MAINTENANCE PART DESCRIPTION	EACH
2		Pull Pin, Stainless Steel	
3		Tamper Seal	
4	430924AS	Lever	
5	430250AS	Lever Rivet	
6	G100WS	Gauge - 100	
7	430273AS	Handle	
9	56909AS	Collar O-Ring	
10	429099AS	Valve Stem Assembly	
12	430004AS	Spring	
13	439713AS	Siphon Tube	
13	430793AS	Siphon Tube	
		W02-1	
14	439495AS	Hose & Nozzle Assembly	
		K01-1, K01-2, K01-3	
14	429543AS	Hose & Nozzle Assembly	
		W02-1	
14A	426074AS	Nozzle Tip	
		K01-1, K01-2	
15	429544AS	Hose O-Ring	
N/S	A430182	PRX™ Liquid Agent, 6 L	
		K01-1	
N/S	A423320	PRX Liquid Agent, 5 gal	
		K01-1	
N/S	A79372	Ansulex® Chemical Agent, 3 gal	
		K01-2	
FIG.	P/N	ACCESSORY PART DESCRIPTION	
1A	AV1	Pressure Valve & Cap Assembly	
		W02-1	
N/S	CORE	Pressure Valve Core, Pkg/50	
		W02-1	
N/S	AVC	Pressure Cap, Pkg/50	
		W02-1	
21		Universal Hose Strap/Clip	
22	15HB	Heavy-Duty Vehicle Bracket	
N/S	WH2	Wall Hanger	
N/S	AD24	Recharge Adapter	
		K01-1, K01-2	
N/S	429656AS	Service Manual (Wet Chemical)	
N/S	7602AC	Hydrostatic Test Instructions	



Ansulex® and PRX™ are marks or registered marks of Tyco Fire Products LP.

11 ANSUL - FIRE EXTINGUISHER PARTS

CARTRIDGE OPERATED

All 10 - 30 lb E & G Series

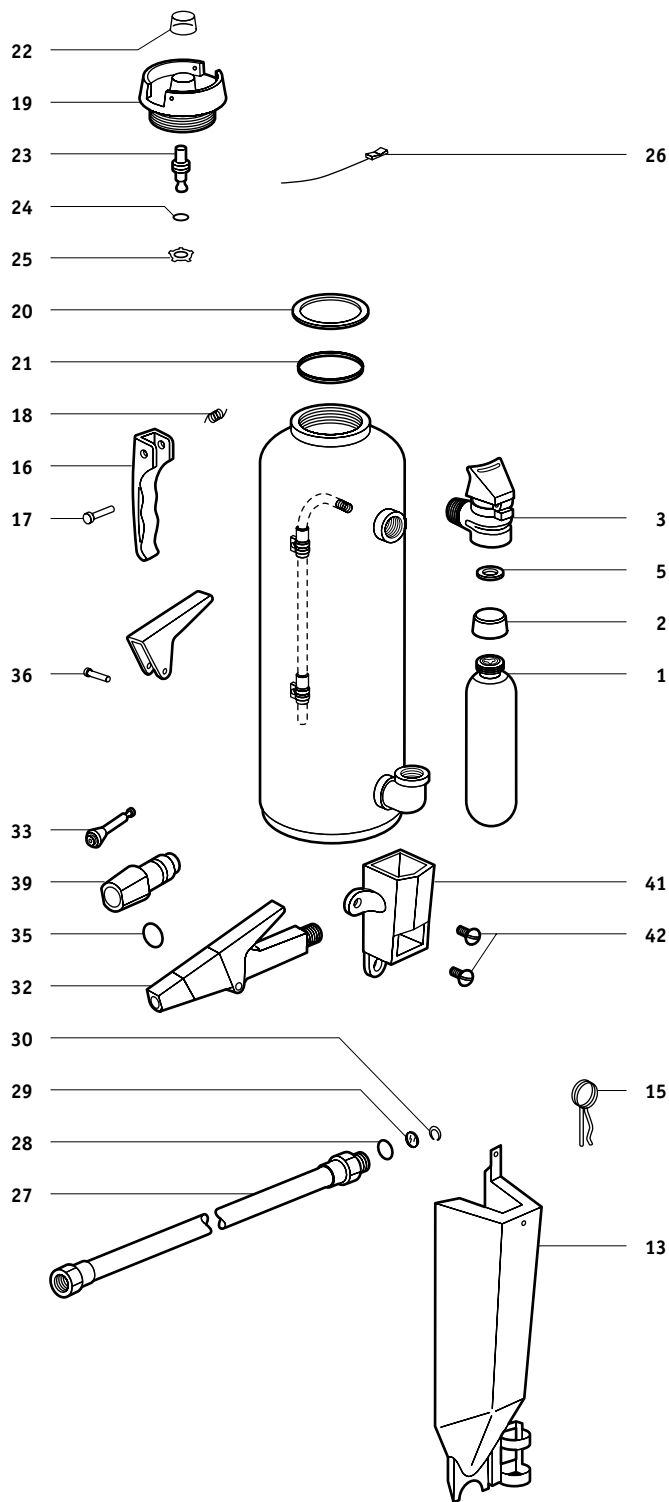


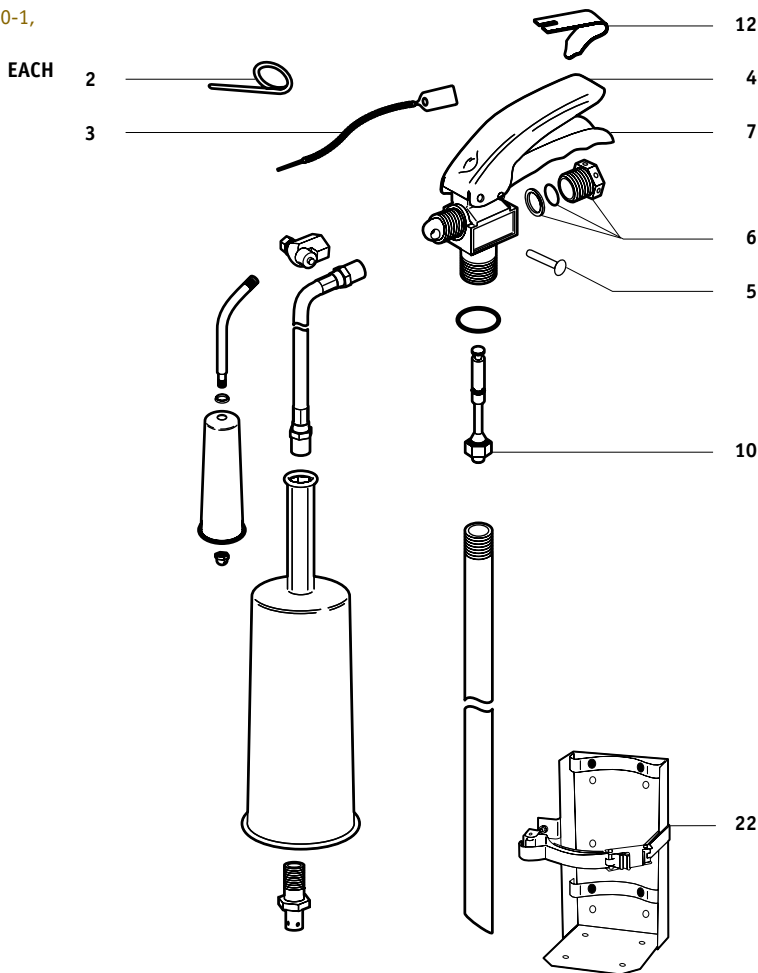
FIG.	P/N	SERVICE & MAINTENANCE PART DESCRIPTION	EACH
1	A5373	Cartridge, Nitrogen 30 lb LT, ML	
1	A7032	Cartridge, Nitrogen 20 lb LT	
1	4616AC	Cartridge, Carbon Dioxide All 10 lb, Except LT	
1	4614AC	Cartridge, Carbon Dioxide All 20 lb, Except LT	
1	4615AC	Cartridge, Carbon Dioxide All 30 lb, Except LT, ML	
2		Cartridge Shipping Cap	
3	3626AC	Cartridge Receiver Assembly All, Except CR, LT, ML	
5	181AC	Gasket, Cartridge Receiver	
13	3652AC	Cartridge Guard Assembly, Metal All 10 lb E Series, Except CR, RP, LT	
13	6287AC	Cartridge Guard Assembly, Metal All 30 lb E Series, Except CR, RP, LT	
13	6302AC	Cartridge Guard Assembly, Metal All 20 lb E Series, Except CR, RP, LT	
13	416346AC	Cartridge Guard Assembly, Plastic All 20 lb G Series, Except RP, LT	
13	418025AC	Cartridge Guard Assembly, Plastic All 30 lb G Series, Except RP, LT	
15	7066AC	Ring Pin	
16	6169AC	Carrying Handle	
17	1265AC	Carrying Handle Rivet	
18	2902AC	Carrying Handle Spring	
19	17999AC	Fill Cap Assembly w/ Indicator	
20	6190AC	Gasket, Fill Cap	
21	6273AC	Quad Ring, Fill Cap	
22	17633AC	Cap, Plastic	
23	27648AC	Stem, Indicator	
24	17630AC	Quad Ring	
25	1239AC	Retaining Ring	
26	VIS10	Visual Inspection Seal, Pkg/10	
27	7083AC	30 lb Hose Assembly	
27	7091AC	20 lb Hose Assembly	
27	13005AC	10 lb Hose Assembly	
28	6263AC	Hose O-Ring (10 lb)	
28	6323AC	Hose O-Ring (20 lb)	
28	6324AC	Hose O-Ring (30 lb)	
29	415659AC	Hose Seal (10 lb G Series)	
29	415660AC	Hose Seal (20 lb E & G Series)	
29	415661AC	Hose Seal (30 lb G Series)	
30	415855AC	Retaining Ring (10 lb G Series), Pkg/10	
30	415856AC	Retaining Ring (20 lb E & G Series), Pkg/10	
30	415857AC	Retaining Ring (30 lb G Series), Pkg/10	
32	14045AC	Nozzle Assembly 30 lb Regular Dry Chemical	
32	14551AC	Nozzle Assembly 20 lb Regular Dry Chemical	
32	30778AC	Nozzle Assembly 30 lb ABC, PK	
32	30789AC	Nozzle Assembly 20 lb ABC, PK	
32	31407AC	Nozzle Assembly 10 lb ABC	
33	56117AC	Nozzle Plunger	
35	1230AC	O-Ring, Nozzle (w/o O-Ring Groove)	
35	3469AC	O-Ring, Nozzle	
36	3621AC	Rivet, Nozzle Handle	
39	17908AC	Tip, Nozzle Assembly 20 lb Regular Dry Chemical	
39	17932AC	Tip, Nozzle Assembly 30 lb Regular Dry Chemical	
39	30790AC	Tip, Nozzle Assembly 20 lb ABC, PK	
39	30791AC	Tip, Nozzle Assembly 30 lb ABC, PK	
41	74206AC	Nozzle Holder Assembly (E Series)	
42	14908AC	Nozzle Platform Screw (E Series)	
N/S	ACWH1	Hanger Hook	
N/S	DCA	Discharge Adapter	
N/S	CCW1	Cap Wrench	
N/S	13133ACD	Cartridge Receiver Wrench	
N/S	AGTSET	Hydrostatic Test Adapter Set	
N/S		Vehicle Brackets	
N/S	7674AC	Service Manual	
N/S	7602AC	Hydrostatic Test Instructions	

CARBON DIOXIDE (w/ Flag Valve)

CD05, CD05A, CD10, CD10A, CD15, CD15A, CD20, CD20A, CD05-1, CD05A-1, CD10-1, CD10A-1, CD15-1, CD15A-1, CD20-1, CD20A-1

FIG.	P/N	SERVICE & MAINTENANCE PART DESCRIPTION
2		Pull Pin, Stainless Steel
3		Tamper Seal
4	441006AS	Lever (Black)
5	429165AS	Lever Rivet
6	429515AS	Safety Disc, Gasket, & Nut Assembly
7	432776AS	Handle (Chrome)
10	441004AS	Valve Stem Assembly
12	415565AS	Spring (Coil Style)

FIG.	P/N	ACCESSORY PART DESCRIPTION
N/S	RDS15	Band 10, 15 lb Aluminum Cylinder
N/S	RDS20	Band 20 lb Aluminum Cylinder
N/S	RDBACLIP	Horn Clip All 10, 15, 20 lb
N/S	SET6	Hardware Set All 10, 15, 20 lb
N/S	BL209	Replacement Nameplate 5 lb (Non-UL) All 5 lb
N/S	BL210	Replacement Nameplate 10-20 lb (Non-UL) All 10, 15, 20 lb
N/S	WH5	Wall Hanger All 5 lb
N/S	WH15	Wall Hanger All 10, 15 lb
N/S	WH20	Wall Hanger All 20 lb
22	5HB	Heavy-Duty Vehicle Bracket All 5 lb
22	15HB	Heavy-Duty Vehicle Bracket All 10, 15 lb
22	20HB	Heavy-Duty Vehicle Bracket All 20 lb
N/S	429425AS	Service Manual

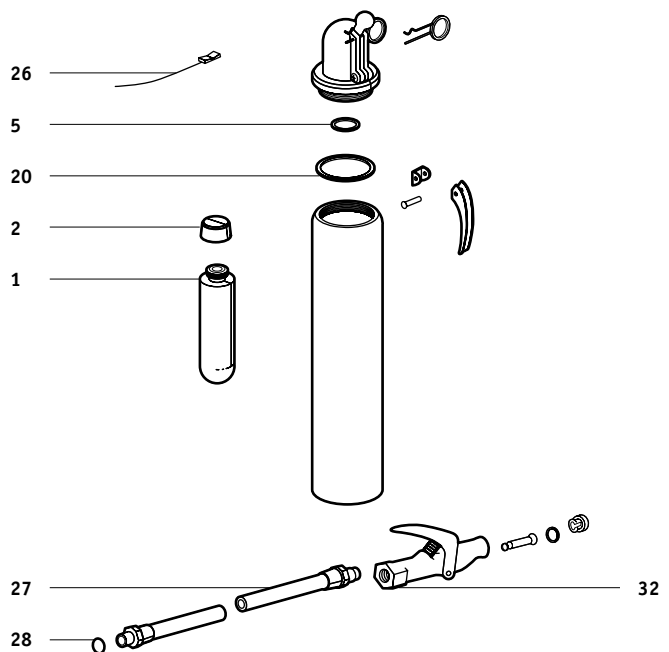


CARTRIDGE OPERATED DRY CHEMICAL

5, A-5, K-5, LR-5, LT-5, LT-A-5, LT-K-5

FIG.	P/N	SERVICE & MAINTENANCE PART DESCRIPTION
1	4523AC	Cartridge All, Except LT
5	181AC	Gasket, Cartridge Receiver
20	615AC	Gasket, Fill Cap
27	15799AC	Hose Assembly w/ Couplings After 1967
28	6263AC	O-Ring
32	6673AC	Nozzle Assembly 5, LT-5

FIG.	P/N	ACCESSORY PART DESCRIPTION
N/S	79758AC	Bracket
2	LHSC	Cartridge Shipping Cap All, Except LT
26	VIS10	Visual Inspection Seal, Pkg/10
N/S	AGTSET	Hydrostatic Test Adapter Set
N/S	HTA13	Hydrostatic Test Adapter (Cylinder Only)



11 ANSUL - FIRE EXTINGUISHER PARTS

CARBON DIOXIDE (w/ R.S. Valve)

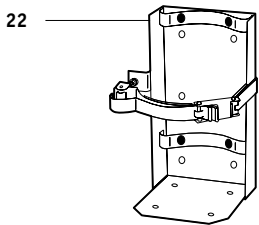
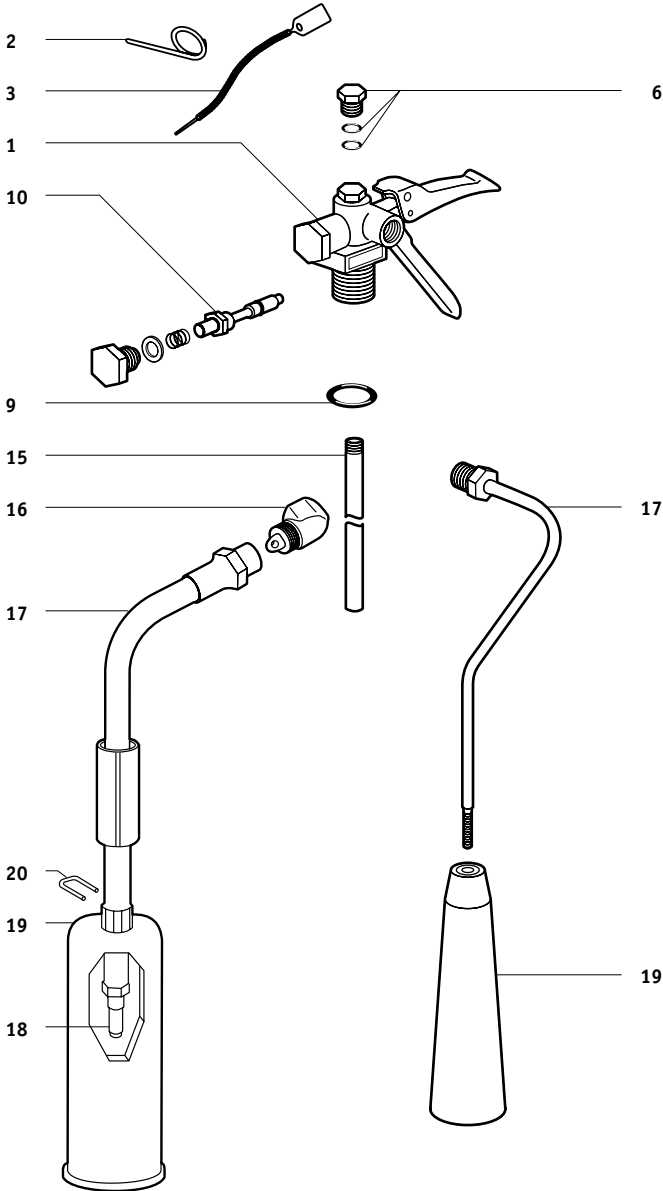
SY-0571, SY-0572, SY-1071, SY-1072, SY-1571, SY-1572, SY-2071, SY-2072

FIG. P/N SERVICE & MAINTENANCE PART DESCRIPTION EACH

FIG.	P/N	SERVICE & MAINTENANCE PART DESCRIPTION	EACH
1	79470AS	Valve Assembly SY-0572 (Aluminum Cylinder)	
1	79438AS	Valve Assembly SY-1072, 1572, 2072 (Aluminum Cylinder)	
2		Pull Pin, Stainless Steel	
3		Tamper Seal	
6	RS5	Safety Disc, Gasket, & Nut Assembly	
9	79805AS	Collar O-Ring	
10	418682AS	Valve Stem Assembly	
15	79478AS	Siphon Tube All 15-20 lb	
16	79352AS	Elbow All 10, 15, 20 lb	
17	73861AS	Discharge Tube Assembly All 5 lb	
17	77628AS	Hose Assembly All 10, 15, 20 lb	
18	79474AS	Nozzle All 15, 20 lb	
19	79350AS	Horn All 5 lb	
19	77892AS	Horn w/ Handle All 10, 15 lb	
19	77893AS	Horn w/ Handle All 20 lb	
20	77894AS	U-Pin All 10, 15, 20 lb	

FIG. P/N ACCESSORY PART DESCRIPTION

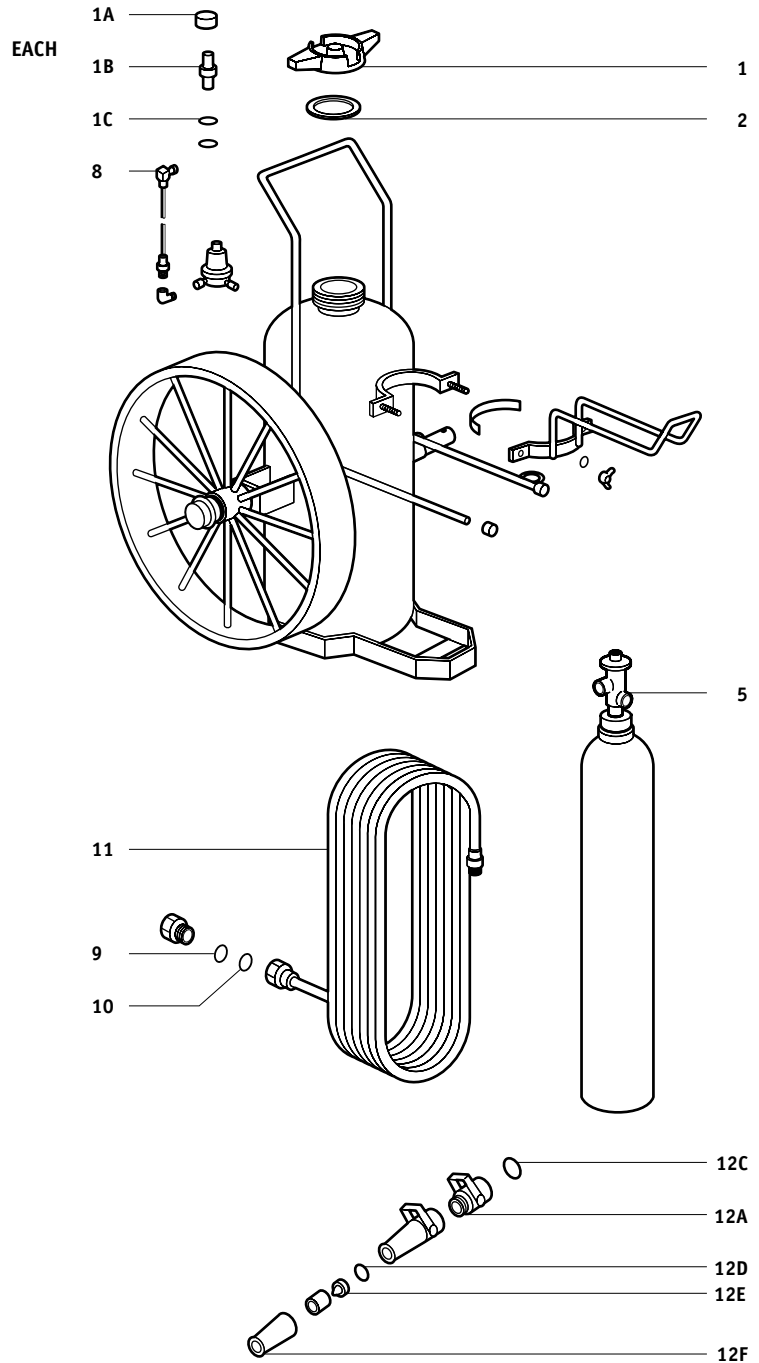
FIG.	P/N	ACCESSORY PART DESCRIPTION
N/S	RDS15	Strap 10-15 lb Aluminum Cylinder
N/S	RDS20	Strap 20 lb Aluminum Cylinder
N/S	RDBACLIP	Horn Clip All 10, 15, 20 lb
N/S	SET6	Hardware Set All 10, 15, 20 lb
N/S	BL209	Replacement Nameplate (Non-U.L.) All 5 lb
N/S	BL210	Replacement Nameplate (Non-U.L.) All 10, 15, 20 lb
N/S	WH5	Wall Hanger All 5 lb
N/S	WH15	Wall Hanger All 10-15 lb
N/S	WH20	Wall Hanger All 20 lb
22	5HB	Heavy-Duty Vehicle Bracket All 5 lb
22	15HB	Heavy-Duty Vehicle Bracket All 10-15 lb
22	20HB	Heavy-Duty Vehicle Bracket All 20 lb
N/S	83148AS	Service Manual



CYLINDER OPERATED WHEELED EXTINGUISHERS

150, 350 lb ("C" Models)

FIG.	P/N	SERVICE & MAINTENANCE PART DESCRIPTION
1	27335AW	Fill Cap, Indicator All, Except Met-L-X, NAX
1A	17633AC	Indicator Cap
1B	27648AC	Indicator Stem
1C	17630AC	Quad Ring
2	3461AW	Gasket
5	Z78705AWD	Valve (Special Order)
8	423581AW	Nitrogen Hose Assembly (Valve to Regulator)
N/S	8750AW	Low Pressure Hose (Regulator to Tank) 150-350 lb (1969-1973)
9	14236AW	Hose Visual Inspection Disc, Strips of 6 ea 150 lb
9	14237AW	Hose Visual Inspection Disc, Strips of 5 ea 350 lb
10	670AW	Gasket 150 lb
10	8105AW	Gasket 350 lb
11	960AWD	Hose, 3/4" x 50', Special Order 150 lb, Except LT
12A	8101AWD	Ball Valve 150 lb, Except Met-L-X, NAX
12C	11112AW	Gasket, Valve To Hose 150 lb Gasket, Valve to Hose
12D	8105AW	Gasket, Nozzle All, Except LR
12F	29507AWD	Body, Nozzle All, Except LR
N/S	79012AW	Service Manual
N/S	53141AW	Regulator Test Manual
N/S	7602AC	Hydrostatic Test Instructions
12E	12703AW	Nozzle Tip 150 lb, Except Met-L-X, NAX
12E	12707AW	Nozzle Tip 350 lb, Except Met-L-X, NAX



11 BADGER - FIRE EXTINGUISHER PARTS

DRY CHEMICAL

ADV-250, ADV-550, ADV-10, ADV-20

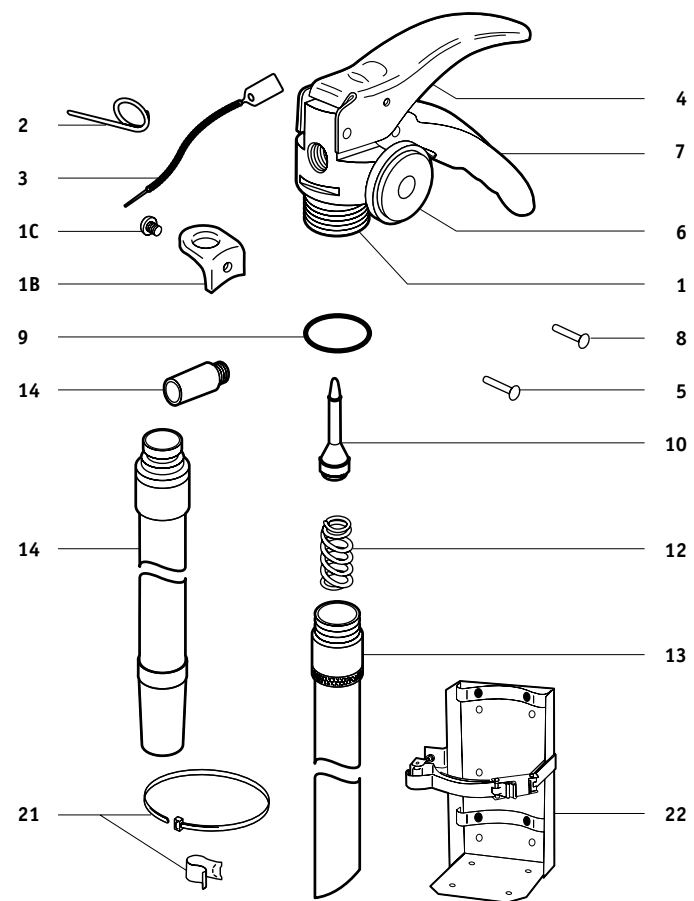


FIG.	P/N	SERVICE & MAINTENANCE PART DESCRIPTION	EACH
1	21008376B	Valve Assembly 2.5 lb Model	
1	21008377B	Valve Assembly 5.5, 10, 20 lb Model	
1B	8516B	Hanger Loop	
1C	19622B	Hanger Loop Screw	
2		Pull Pin	
N/S	23535B	Chain (Nylon) for Pull Pin	
3		Tamper Seal	
4	21007875B	Lever	
5	320751B	Lever Rivet	
6	G100	Gauge - 100 2.5 lb Model	
6	G195	Gauge - 195 5.5, 10, 20 lb Model	
7	21007873B	Handle 2.5, 5.5 lb Model	
7	21007874B	Handle 10, 20 lb Model	
8	320750B	Handle Rivet	
9	340036K	Neck Seal	
10	440068K	Valve Stem	
12	322063B	Spring	
13	21007861B	Siphon Tube Assembly 2.5 lb Model	
13	21007862B	Siphon Tube Assembly 5.5 lb Model	
13	21007863B	Siphon Tube Assembly 10 lb Model	
13	21007864B	Siphon Tube Assembly 20 lb Model	
N/S	320167K	Siphon Tube O-Ring	
14	21005805B	Nozzle 2.5 lb Model	
14	21006335B	Hose & Nozzle Assembly 5.5 lb Model	
14	21007908B	Hose & Nozzle Assembly 10 lb Model	
14	21006338B	Hose & Nozzle Assembly 20 lb Model	
FIG.	P/N	ACCESSORY PART DESCRIPTION	EACH
21		Universal Hose Strap/Clip	
22	466401K	Heavy-Duty Vehicle Bracket 2.5 lb Model	
22	5DC	Heavy-Duty Vehicle Bracket 5.5 lb Model	
22	5HB	Heavy-Duty Vehicle Bracket 10 lb Model	
22	15HB	Heavy-Duty Vehicle Bracket 20 lb Model	
N/S	1141K	Wall Hook 2.5 lb Model	
N/S	WH5	Wall Hook 5.5 & 10 lb Model	
N/S	14260K	Wall Hook 20 lb Model	
N/S	AD23	Recharge Adapter	
N/S	HTA18	Hydrostatic Test Adapter	

DRY CHEMICAL

275RB-1, 250MB-1, 5RB-4H, 5MB-4H, 5MB-5H, 5MB-6H, 5MB-7H, 5MB-8H, 6MB-4H, 10MB-3H, 10MB-4H, 10MB-8H

HALON 1211

2.5-1211B, 5-1211B, 9-1211B-S, 9-1211B-T

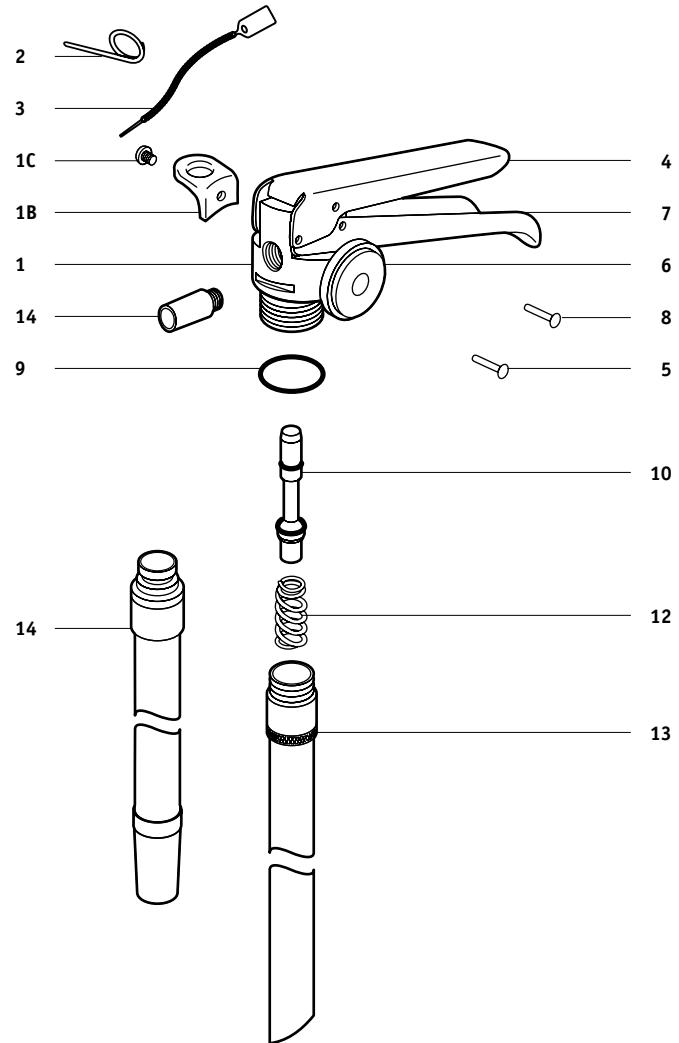
HALOTRON I

2.5HB, 5HB

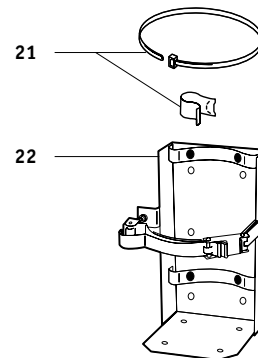
FIG.	P/N	SERVICE & MAINTENANCE PART DESCRIPTION
1	19824B	Valve Assembly 5MB-5H, 5MB-6H, 5MB-7H, 5MB-8H
1	19520B	Valve Body
1B	8516B	Hanger Loop All, Except 275RB-1, 250MB-1, 2.5-1211B
1C	19622B	Hanger Loop Screw All, Except 275RB-1, 250MB-1, 2.5-1211B
2		Pull Pin
3		Tamper Seal
4	18363B	Lever
5	18404B	Lever Rivet
6	G195	Gauge - 195 All Dry Chemical
6	G125H	Gauge - 125 (Halon) 2.5-1211B, 5-1211B
6	G195H	Gauge - 195 (Halon) 9-1211B-S, 9-1211B-T
6	G100T	Gauge - 100 (Halotron I) All Halotron I
7	18361B	Handle
8	16517B	Handle Rivet
9	20745B	Collar O-Ring All Dry Chemical, Halon
9	23074B	Collar O-Ring All Halotron I
10	18672B	Valve Stem All Halon
10	19010B	Valve Stem All Dry Chemical
10	23068B	Valve Stem All Halotron I
12	19393B	Spring 5MB-5H, 5MB-6H, 5MB-7H, 5MB-8H, 6MB-4H, 10MB-3H, 2.5HB, 5HB
13	19825B	Siphon Tube 5MB-5H, 5MB-6H, 5MB-7H, 5MB-8H
14	14816B	Nozzle 250MB-1
14	22363B	Hose & Nozzle Assembly 10MB-4H, 10MB-8H
14	19548B	Hose & Nozzle Assembly 5MB-4H, 5MB-5H
14	21028B	Hose & Nozzle Assembly 5MB-6H, 5MB-8H

FIG.	P/N	ACCESSORY PART DESCRIPTION
21		Universal Hose Strap/Clip All, Except 250MB-1, 275RB-1, 2.5-1211B
N/S	WH5	Wall Hanger All 5-10 lb, Except 10MB-3H, 9-1211B-S
N/S	WH15	Wall Hanger 10MB-3H, 9-1211B-S
N/S	MB250	Vehicle Bracket 250MB-1, 275RB-1, 2.5-1211B
N/S	MB5	Vehicle Bracket 5-6 lb
22	5DC	Heavy-Duty Vehicle Bracket 5-6 lb
22	5HB	Heavy-Duty Vehicle Bracket 10MB-4H, 10MB-8H, 10RB-7H, 9-1211B-T
22	10HB	Heavy-Duty Vehicle Bracket 10MB-3H, 9-1211B-S
N/S	AD21	Recharge Adapter
N/S	HTA45	Hydrostatic Test Adapter

EACH



EACH



11 BADGER - FIRE EXTINGUISHER PARTS

DRY CHEMICAL

B250M, B275BC, B250P, B5M, B5M1, B5BC, B5P, B10M, B10BC1, B10P1

HALOTRON I

2.5HB-1, 2.5HB-2, 5HB-1, 5HB-2

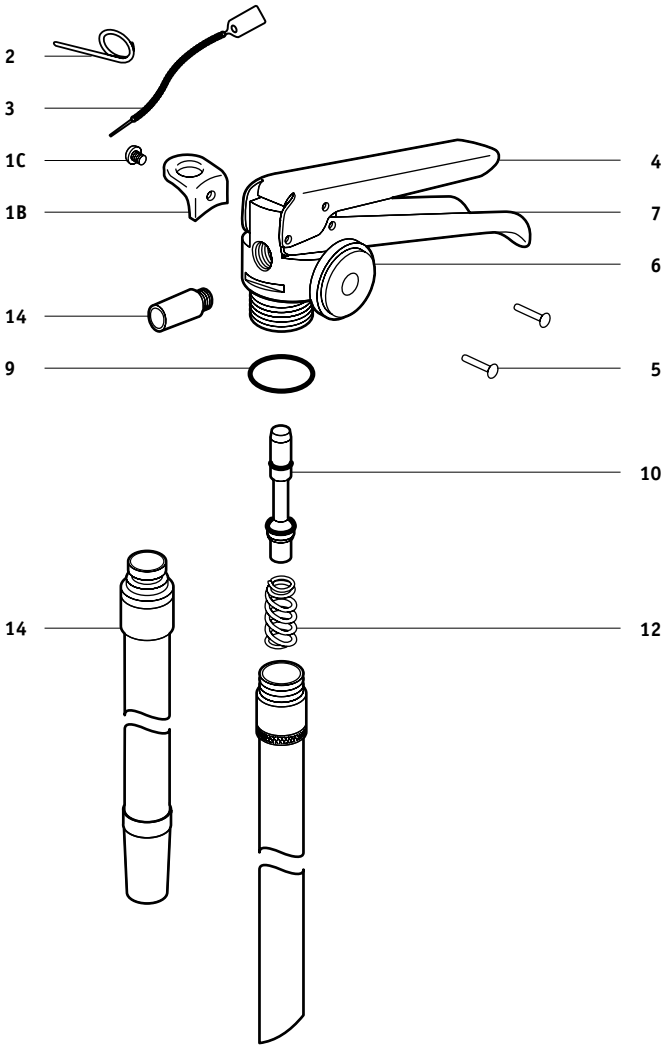
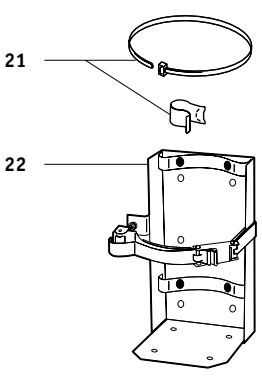


FIG.	P/N	SERVICE & MAINTENANCE PART DESCRIPTION	EACH
1B	23358B	Hanger Loop	
1C	21390B	Hanger Loop Screw	
2		Pull Pin	
3		Tamper Seal	
4	23351B	Lever	
5	23352B	Lever Rivet	
6	G195	Gauge - 195 All Dry Chemical	
6	G100T	Gauge - 100 (Halotron I) All Halotron I	
7	23353B	Handle	
9	20745B	Collar O-Ring All Dry Chemical	
9	23074B	Collar O-Ring All Halotron I	
10	23389B	Valve Stem All Dry Chemical	
10	23355B	Valve Stem Assembly All Halotron I	
12	19393B	Spring	
14	23393B	Hose & Nozzle Assembly B5M, B5M1	
14	23399B	Hose & Nozzle Assembly B10M	

FIG.	P/N	ACCESSORY PART DESCRIPTION	EACH
21		Universal Hose Strap All 5, 10 lb	
N/S	WH5	Wall Hanger All 5, 10 lb	
N/S	MB250	Vehicle Bracket All 2.5 lb	
N/S	MB5	Vehicle Bracket All 5 lb	
22	5DC	Heavy-Duty Vehicle Bracket All 5 lb	
22	5HB	Heavy-Duty Vehicle Bracket All 10 lb	
N/S	AD21	Recharge Adapter	
N/S	HTA45	Hydrostatic Test Adapter	



DRY CHEMICAL

5RB-2, 6MB-1, 10MB-1H, 10MB-2H, 10RB-2H, 10PB-2H, 20MB-1H, 20RB-1H, 20PB-1H, 20MB-2H, 20PB-2H, 20MB-6H, 20RB-7H

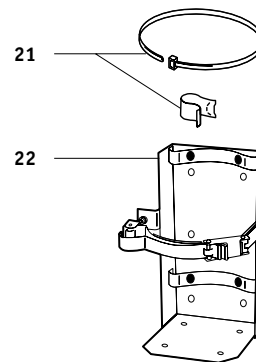
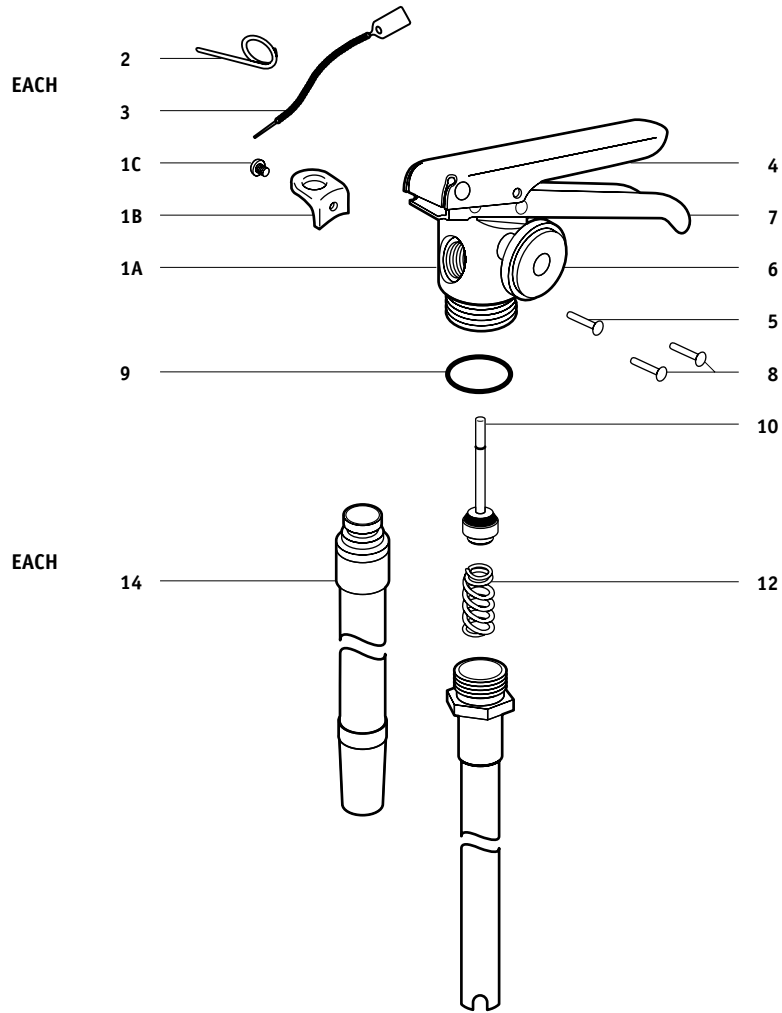
HALON 1211

13-1211B-S, 13-1211B-T, 17-1211B, 20-1211B

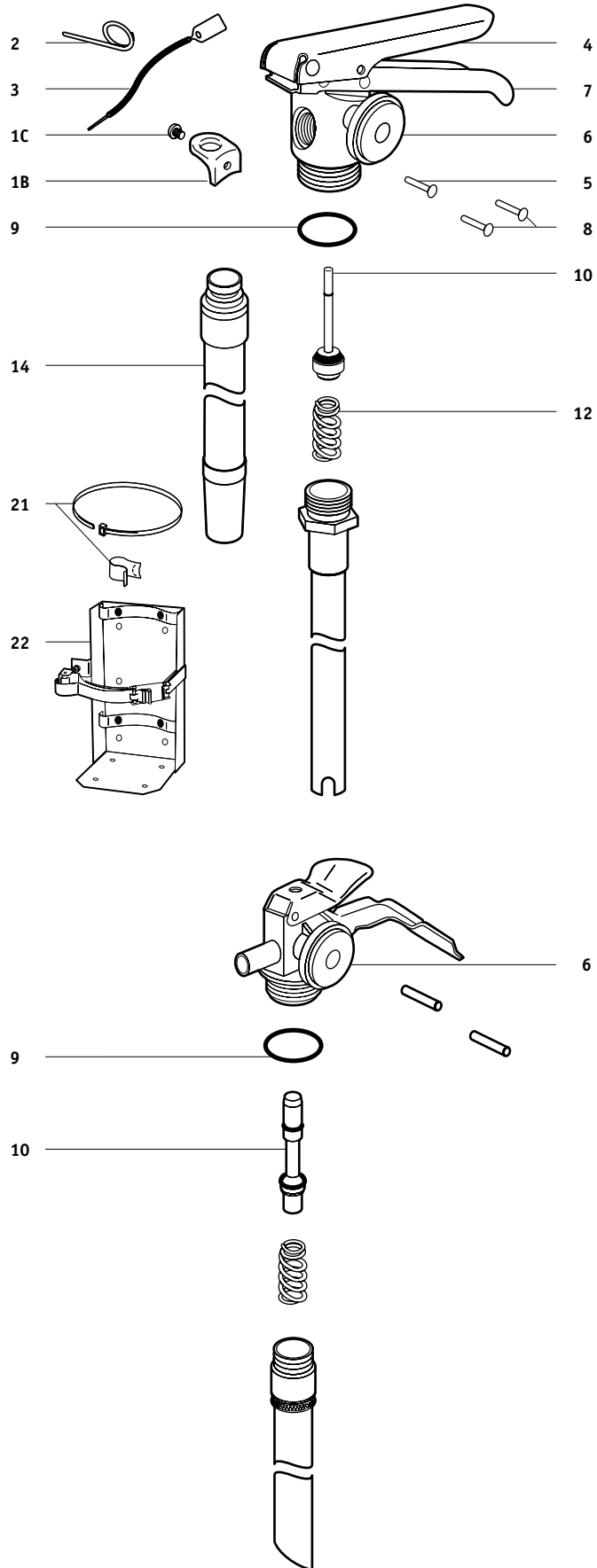
FIG. P/N SERVICE & MAINTENANCE PART DESCRIPTION EACH

1A	16459B	Valve Body	
1B	8516B	Hanger Loop	
1C	19622B	Hanger Loop Screw	
2		Pull Pin	
3		Tamper Seal	
4	16438B	Lever	
5	16518B	Lever Rivet	
6	G195	Gauge - 195	
		Dry Chemical	
6	G195H	Gauge - 195 (Halon)	
		Halon	
7	16513B	Handle	
8	16517B	Handle Rivet	
9	20746B	Collar O-Ring	
10	12426B	Valve Stem Assembly	
		Dry Chemical	
12	7630B	Spring	
14	20580B	Hose & Nozzle Assembly	
		20MB-2H, 20MB-6H	

FIG.	P/N	ACCESSORY PART DESCRIPTION	EACH
21		Universal Hose Strap/Clip	
N/S	WH5	Wall Hanger	
		10 lb Dry Chemical, 13-1211B-T	
N/S	WH15	Wall Hanger	
		13-1211B-S	
N/S	WH20	Wall Hanger	
		20 lb Dry Chemical, 17-1211B, 20-1211B	
N/S	MB5	Vehicle Bracket	
		5 lb	
22	5DC	Heavy-Duty Vehicle Bracket	
		5-6 lb	
22	5HB	Heavy-Duty Vehicle Bracket	
		10 lb Dry Chemical, 13-1211B-T	
22	10HB	Heavy-Duty Vehicle Bracket	
		13-1211B-S	
22	15HB	Heavy-Duty Vehicle Bracket	
		20 lb Dry Chemical, 17-1211B, 20-1211B	
N/S	AD24	Recharge Adapter	
N/S	HTA44	Hydrostatic Test Adapter	



11 BADGER - FIRE EXTINGUISHER PARTS



DRY CHEMICAL

10MB-5H, 10MB-9H, 10RB-3H, 10PB-9H, 10RB-6H, 20MB-3H, 20RB-2H, 20PB-3H, 20MB-5H, 20RB-4H, B10M1, B20M, B20BC, B20P, B10M1-HF, B10P1-HF, B20M-HF, B20P-HF

HALOTRON I

11HB, 11HB-1, 15.5HB

FIG.	P/N	SERVICE & MAINTENANCE PART DESCRIPTION	EACH
1B	23358B	Hanger Loop	
1C	21390B	Hanger Loop Screw	
2		Pull Pin, Stainless Steel	
3		Tamper Seal	
4	16438B	Lever	
5	16633B	Lever Rivet	
6	G195	Gauge - 195 All Dry Chemical All Halotron I	
6	G125T	Gauge - 125 (Halotron I) All Halotron I	
7	16437B	Handle	
8	4095B	Handle Rivet	
9	20746B	Collar O-Ring All Dry Chemical	
9	23089B	Collar O-Ring All Halotron I	
10	12426B	Valve Stem Assembly All Dry Chemical	
10	23086B	Valve Stem Assembly All Halotron I	
12	7630B	Spring	
14	21407B	Hose & Nozzle Assembly 20MB-3H, 20MB-5H	
14	22601B	Hose & Nozzle Assembly 10MB-9H, B10M1	
14	21006168B	Hose & Nozzle Assembly All High Flow (HF) Models	

FIG.	P/N	ACCESSORY PART DESCRIPTION	EACH
21		Universal Hose Strap/Clip	
N/S	WH5	Wall Hanger 10 lb	
N/S	WH20	Wall Hanger 20 lb	
22	5HB	Heavy-Duty Vehicle Bracket 10 lb	
22	15HB	Heavy-Duty Vehicle Bracket 20 lb	
N/S	AD24	Recharge Adapter	
N/S	HTA44	Hydrostatic Test Adapter	

DRY CHEMICAL

P200RA, P275RA, P250MA

HALON 1211

P1.25-1211A, P2.5-1211A

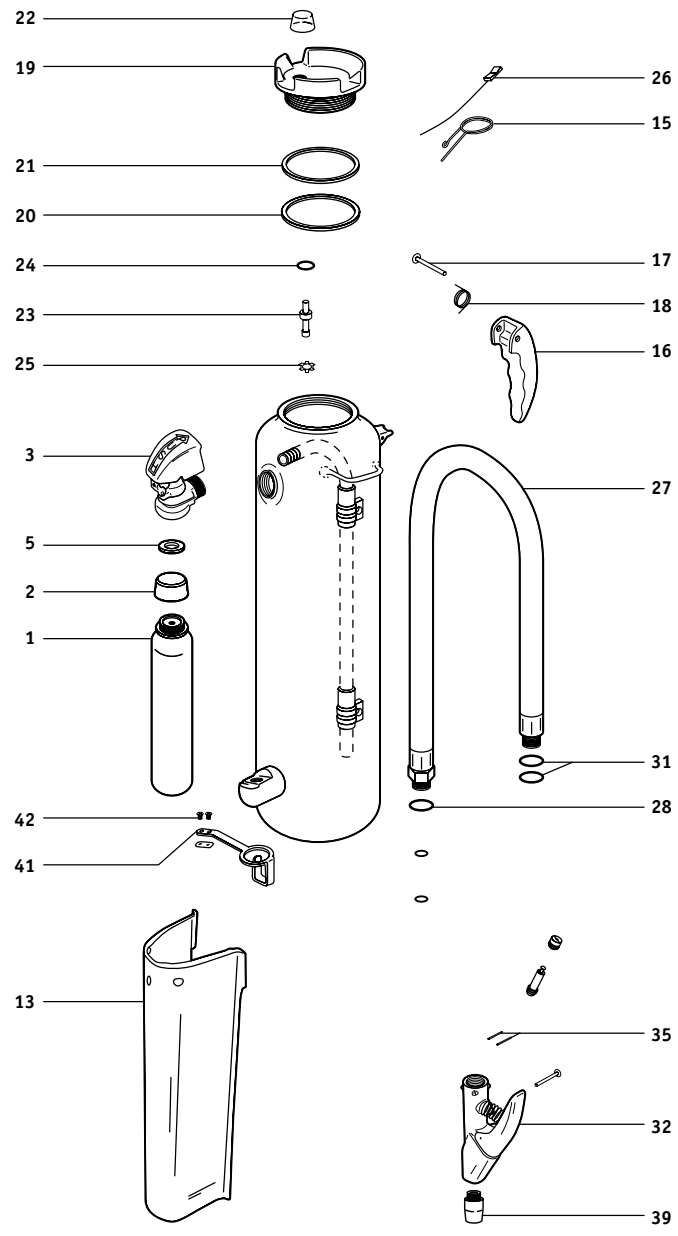
FIG.	P/N	SERVICE & MAINTENANCE PART DESCRIPTION	EACH
6	G100	Gauge - 100 P200RA	
6	G195	Gauge - 195 P275RA, P250MA	
6	G100H	Gauge - 100 (Halon) P1.25-1211A	
6	G125H	Gauge - 125 (Halon) P2.5-1211A	
9	20745B	Collar O-Ring	
10	19010B	Valve Stem Assembly All Dry Chemical	
10	18672B	Valve Stem Assembly All Halon	

FIG.	P/N	ACCESSORY PART DESCRIPTION	EACH
N/S	AD21	Recharge Adapter P275RA, P250MA, P2.5-1211A	
N/S	HTA45	Hydrostatic Test Adapter	

DRY CHEMICAL

B-10-RG, B-10-RG-LT, B-10-PK, B-10-PK-LT, B-10-PK-HF, B-10-A, B-10-A-LT, B-10-A-HF, B-20-RG, B-20-RG-LT, B-20-PK, B-20-PK-LT, B-20-PK-HF, B-20-PK-HF-LT, B-20-A, B-20-A-LT, B-20-A-HF, B-20-A-HF-LT, B-30-RG, B-30-RG-LT, B-30-PK, B-30-PK-LT, B-30-PK-HF, B-30-PK-HF-LT, B-30-A, B-30-A-LT, B-30-A-HF, B-30-A-HF-LT

FIG	P/N	SERVICE & MAINTENANCE PART DESCRIPTION	EACH
1	21009612BC	Cartridge All 10 lb, Except LT	
1	21009613BC	Cartridge All 20 lb, Except LT	
1	21009614BC	Cartridge All 30 lb, Except LT	
3	440384BC	Cartridge Receiver Assembly	
5	320934BC	Gasket, Cartridge Receiver	
13	21009967BC	Cartridge Guard Assembly All 10 lb	
13	440324BC	Cartridge Guard Assembly All 20, 30 lb	
15	320911BC	Ring Pin	
16	23678BC	Carrying Handle	
17	320837BC	Carrying Handle Rivet	
18	320838BC	Carrying Handle Spring	
19	440314BC	Fill Cap Assembly w/ Indicator	
20	320779BC	Gasket, Fill Cap	
21	320780BC	Quad Ring, Fill Cap	
22	340744BC	Cap, Plastic	
23	320768BC	Stem, Indicator	
24	320769BC	Quad Ring	
25	320778BC	Retaining Ring	
27	440332BC	10 lb Hose Assembly	
27	440333BC	20 lb Hose Assembly	
27	440334BC	30 lb Hose Assembly	
28	320914K	Hose O-Ring	
31	320905BC	Nozzle O-Ring	
32	440360BC	Nozzle Assembly (Less Tip)	
35	320958BC	Pin, Nozzle	
39	341010BC	Nozzle Tip 20 lb ABC	
39	341016BC	Nozzle Tip 30 lb ABC	
39	341017BC	Nozzle Tip 30 lb Regular Dry Chemical	
41	320928BC	Nozzle Holster All 20, 30 lb	
42	320929BC	Nozzle Holster Screw	
FIG	P/N	ACCESSORY PART DESCRIPTION	EACH
26	VIS10	Visual Inspection Seal	
2	LHSC	Cartridge Shipping Cap	
N/S	ACWH1	Hanger Hook	
N/S	DCA	Discharge Adapter	



11 BADGER - FIRE EXTINGUISHER PARTS

CARBON DIOXIDE

B5H-1, B5H-1A, B10H-2, B10HA, B15H-2, B15HA, B20H-2, B20HA

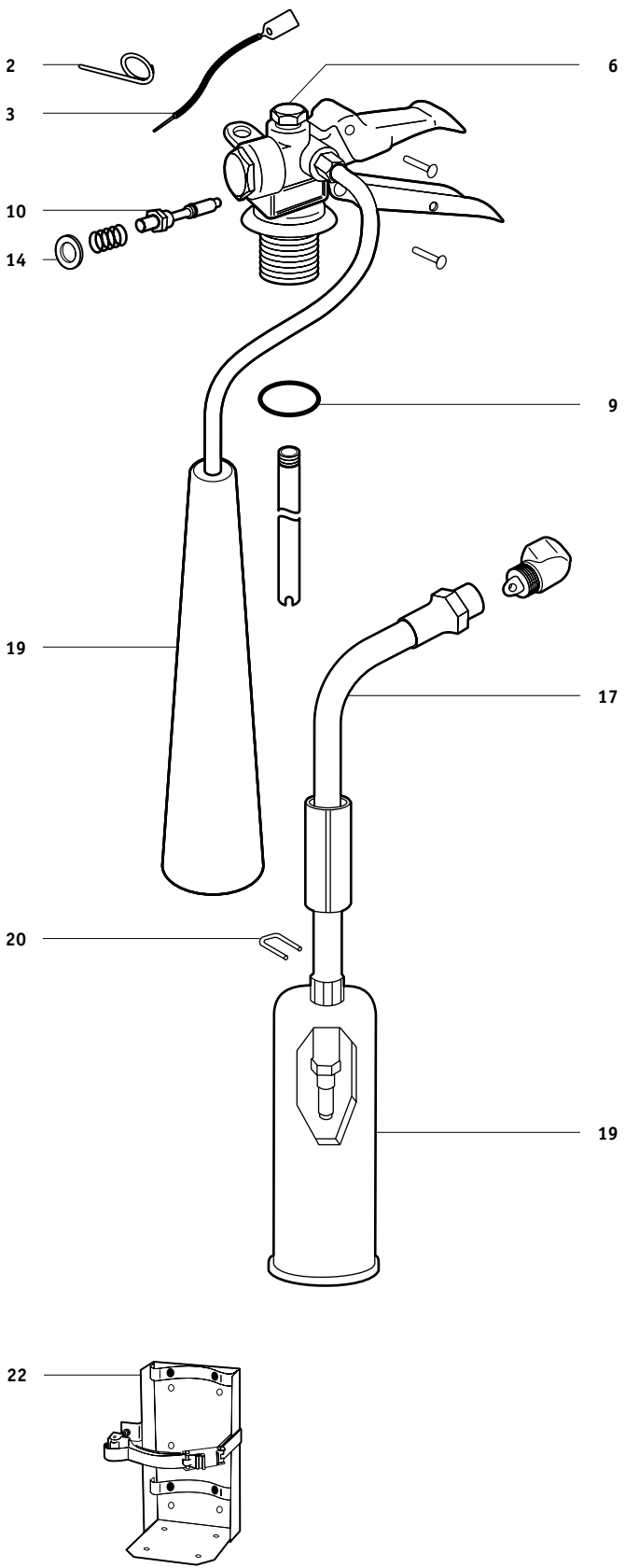


FIG.	P/N	SERVICE & MAINTENANCE PART DESCRIPTION	EACH
2		Pull Pin, Stainless Steel	
3		Tamper Seal	
6	24643B	Safety Disc, Gasket, & Nut Assembly	
9	16464B	Collar O-Ring B5H-1A, B10HA, B15HA, B20HA	
10	5558B	Valve Stem Assembly	
14	3524B	Retainer Washer	
17	23005B	Hose & Nozzle Assembly (.110) 10 lb	
17	23010B	Hose & Nozzle Assembly (.099) 15-20 lb	
19	1840B	Horn w/ Handle All 10 lb	
19	1841B	Horn w/ Handle All 15-20 lb	
20	1838B	U-Pin All 10, 15, 20 lb	

FIG.	P/N	ACCESSORY PART DESCRIPTION	EACH
N/S	RDBACLIP	Horn Clip All 10, 15, 20 lb	
N/S	RDS15	Strap B10HA, B15HA	
N/S	RDS20	Strap B20HA	
N/S	SET6	Hardware Set 10-20 lb Aluminum Cylinder	
N/S	BL209	Replacement Nameplate (Non-UL) All 5 lb	
N/S	BL210	Replacement Nameplate (Non-UL) All 10, 15, 20 lb	
N/S	WH5	Wall Hanger All 5 lb	
N/S	WH15	Wall Hanger All 10, 15 lb	
N/S	WH20	Wall Hanger All 20 lb	
22	5HB	Heavy-Duty Vehicle Bracket All 5 lb	
22	15HB	Heavy-Duty Vehicle Bracket All 10, 15 lb	
22	20HB	Heavy-Duty Vehicle Bracket All 20 lb	

CARBON DIOXIDE

B5V, B10V, B15V, B20V

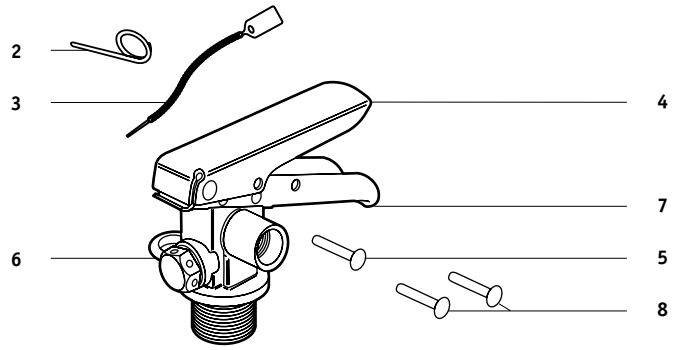
FIG. P/N SERVICE & MAINTENANCE PART DESCRIPTION

2		Pull Pin, Stainless Steel
3		Tamper Seal
4	16438B	Lever
5	16633B	Lever Rivet
6	24643B	Safety Disc, Gasket, & Nut Assembly
7	16437B	Handle
8	4095B	Handle Rivet
9	16464B	Collar O-Ring
10	20981B	Valve Stem Assembly
16	20991B	Elbow Assembly B10V, B15V, B20V
16A	21101B	O-Ring for Elbow
16B	3524B	Washer for Elbow
17	21116B	Discharge Tube B5V
17	23005B	Hose & Nozzle Assembly (.110) B10V
17	23010B	Hose & Nozzle Assembly (.099) B15V, B20V
19	8886B	Horn B5V
19	1840B	Horn w/ Handle B10V
19	1841B	Horn w/ Handle B15V, B20V
20	1838B	U-Pin B10V, B15V, B20V

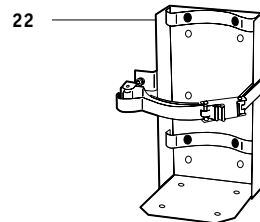
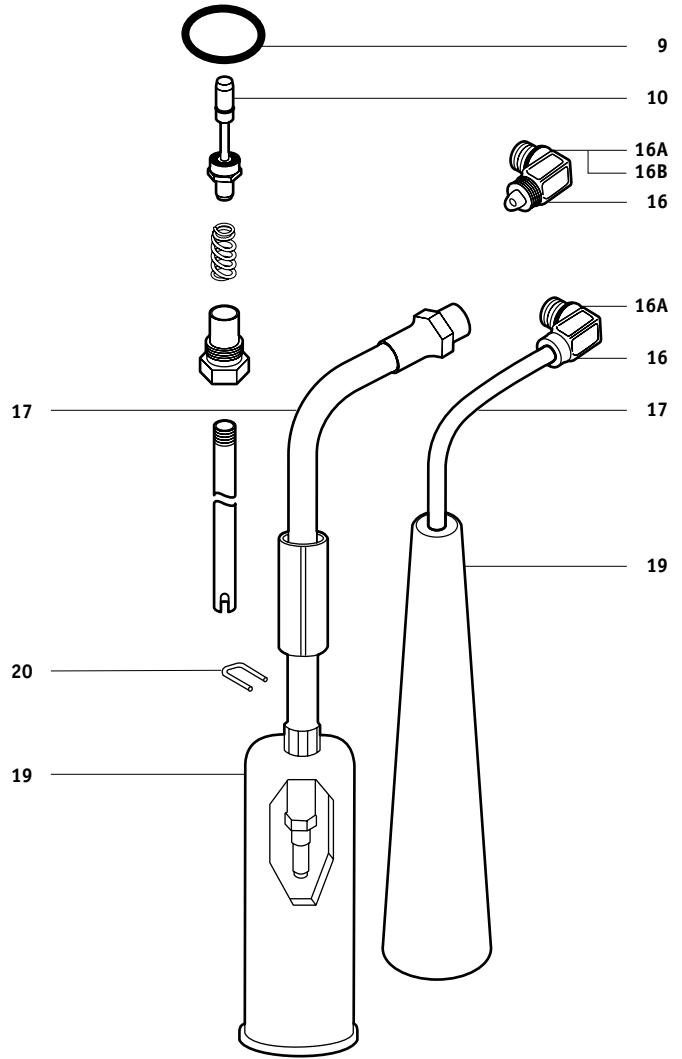
FIG. P/N ACCESSORY PART DESCRIPTION

N/S	RDS15	Strap B10V, B15V
N/S	RDS20	Strap B20V
N/S	RDBACLIP	Horn Clip B10V, B15V, B20V
N/S	SET6	Hardware Set B10V, B15V, B20V
N/S	BL209	Replacement Nameplate (Non-UL) B5V
N/S	BL210	Replacement Nameplate (Non-UL) B10V, B15V, B20V
N/S	WH5	Wall Hanger B5V
N/S	WH15	Wall Hanger B10V, B15V
N/S	WH20	Wall Hanger B20V
22	5HB	Heavy-Duty Vehicle Bracket B5V
22	15HB	Heavy-Duty Vehicle Bracket B10V, B15V
22	20HB	Heavy-Duty Vehicle Bracket B20V

EACH



EACH



11 BADGER - FIRE EXTINGUISHER PARTS

WATER/LOADED STREAM

WP61, PWA-61

WET CHEMICAL

WC-10, WC-25, WC-100, WC-250

AR-AFFF FOAM

F-100, F-250

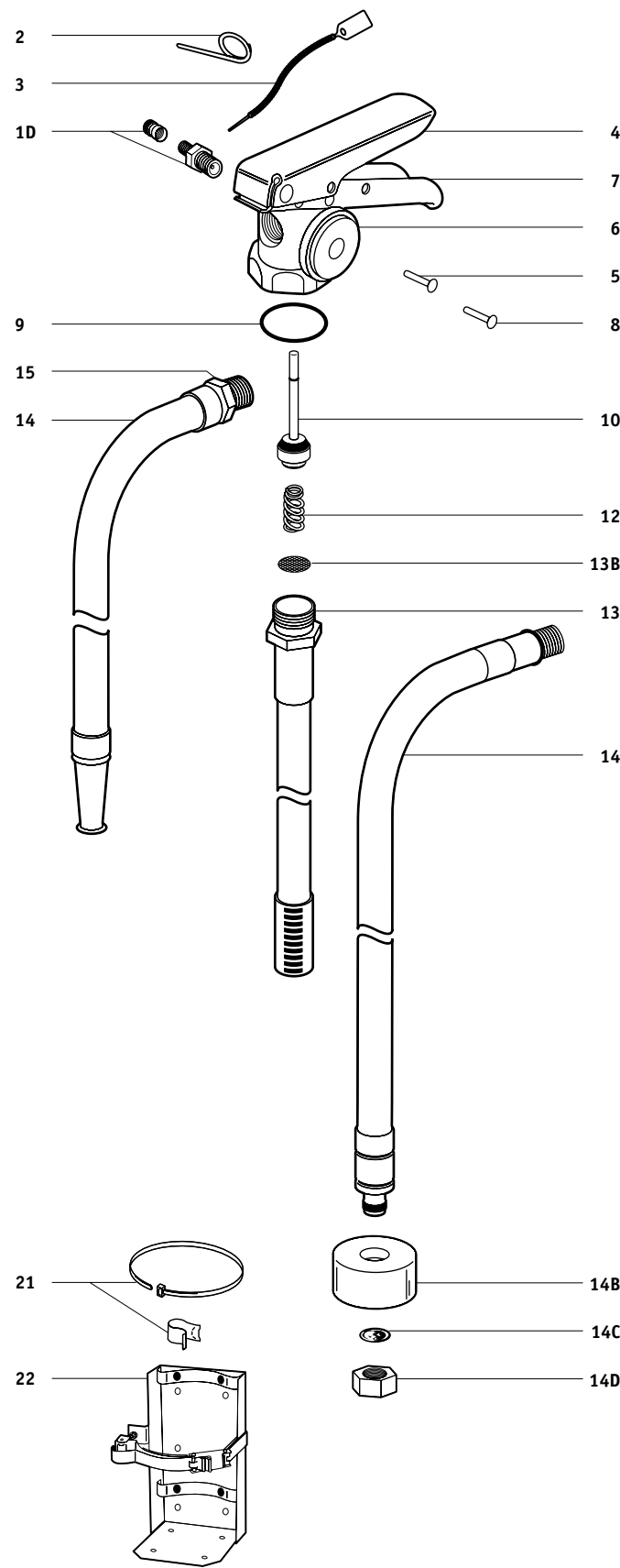


FIG.	P/N	SERVICE & MAINTENANCE PART DESCRIPTION	EACH
2		Pull Pin, Stainless Steel	
3		Tamper Seal	
4	16438B	Lever	
5	16633B	Lever Rivet	
6	G100WS	Gauge - 100	
7	16437B	Handle	
8	4095B	Handle Rivet	
9	20746B	Collar O-Ring	
10	12426B	Valve Stem Assembly	
12	7630B	Spring	
13	14992B	Siphon Tube Assembly	
13	21539B	Siphon Tube Assembly	
13B	22445B	Screen Disk	
14	8844B	Hose & Nozzle Assembly	
14	23161B	Hose Assembly w/ Tip (Replaces 22338)	
14B	23162B	Finger Guard	
14C	KR97054	Foil Inspection Disc, Pkg/10	
14D	KR97290	Nozzle Tip Cap, Pkg/10	
N/S	AC100	Wet Chemical Recharge, 6 L	
N/S	AC250	Wet Chemical Recharge, 2.5 gal	
FIG.	P/N	ACCESSORY PART DESCRIPTION	
1D	AV1*	Pressure Valve & Cap Assembly	
N/S	CORE*	Pressure Valve Core, Pkg/50	
N/S	AVC*	Pressure Cap, Pkg/50	
21		Universal Hose Strap/Clip	
N/S	792B	Loaded Stream Anti-Freeze Charge	
N/S	WH2	Wall Hanger	
N/S	15HB	Heavy-Duty Vehicle Bracket	
N/S	AD24	Recharge Adapter	
N/S	HTA10	Hydrostatic Test Adapter	

*WP61 AND PWA-61 UP TO 2002.

STORED PRESSURE DRY CHEMICAL WHEELED

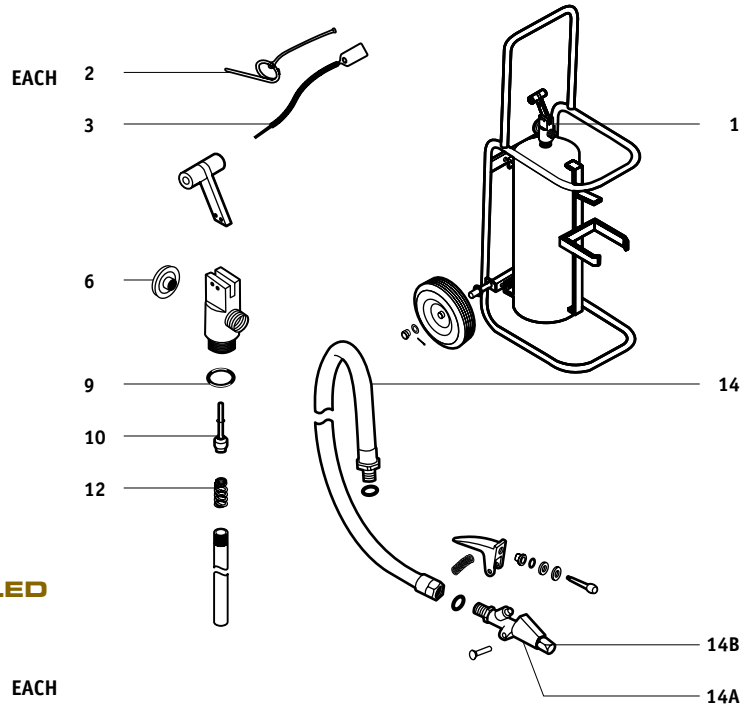
50RB, 50MB, 50PB

HALON WHEELED

50-1211B

FIG.	P/N	SERVICE & MAINTENANCE PART DESCRIPTION
1	Z20135BD	Valve Assembly (Special Order) <i>Dry Chemical</i>
2		Pull Pin, Stainless Steel
3		Tamper Seal
6	G240	Gauge - 240 <i>Dry Chemical</i>
9	20746B	Collar O-Ring
10	12426B	Valve Stem Assembly <i>Dry Chemical</i>
12	7630B	Spring
14	Z20131BD	Hose, 1/2" x 25' (Special Order)
14A	Z440360BD	Nozzle Assembly (Less Tip) (Special Order)
14B	Z20133BD	Nozzle Tip (Special Order) <i>50MB</i>

FIG.	P/N	ACCESSORY PART DESCRIPTION
N/S	6160A	Recharge Adapter
N/S	HTA44	Hydrostatic Test Adapter



STORED PRESSURE DRY CHEMICAL WHEELED

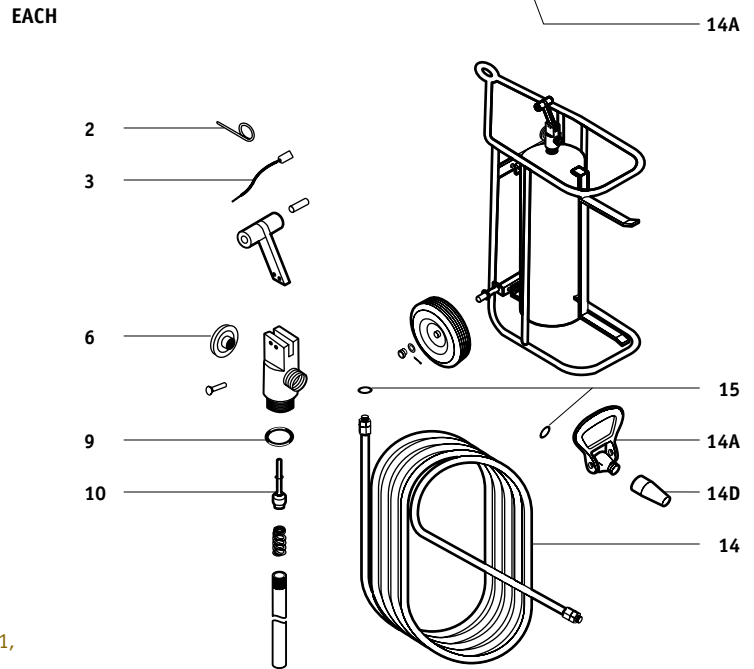
150RB, 150MB, 150PB

HALON WHEELED

150-1211B

FIG.	P/N	SERVICE & MAINTENANCE PART DESCRIPTION
2		Pull Pin, Stainless Steel
3		Tamper Seal
6	G240	Gauge - 240 <i>Dry Chemical</i>
9	20510B	Collar O-Ring
10	23658BD	Valve Stem Assembly (Special Order)
14	20079BD	Hose, 3/4" x 50' (Special Order)
14A	Z23123BD	Nozzle Assembly (Less Orifice) (Special Order) <i>Dry Chemical</i>
14D	Z23446BD	Nozzle Orifice (Special Order) <i>150RB</i>
14D	Z23447BD	Nozzle Orifice (Special Order) <i>150MB</i>
N/S	Z20556BD	Swivel (Special Order)
15	4045B	Washer

FIG.	P/N	ACCESSORY PART DESCRIPTION
N/S	5720A	Recharge/Hose Hydrotest Adapter
N/S	HTA24	Hydrostatic Test Adapter

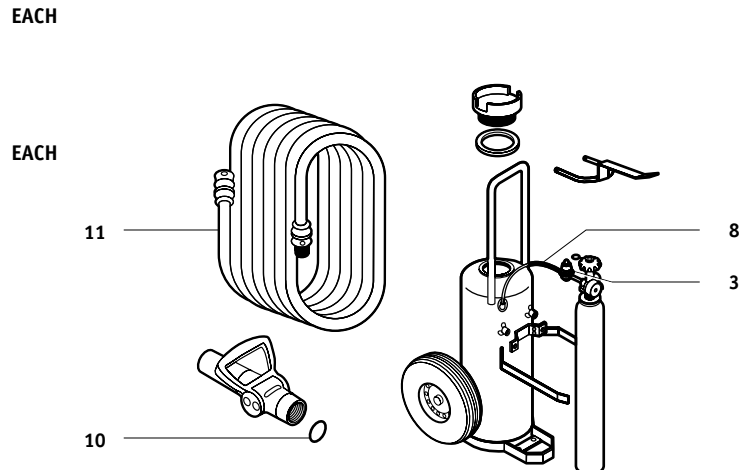


CYLINDER OPERATED DRY CHEMICAL WHEELED

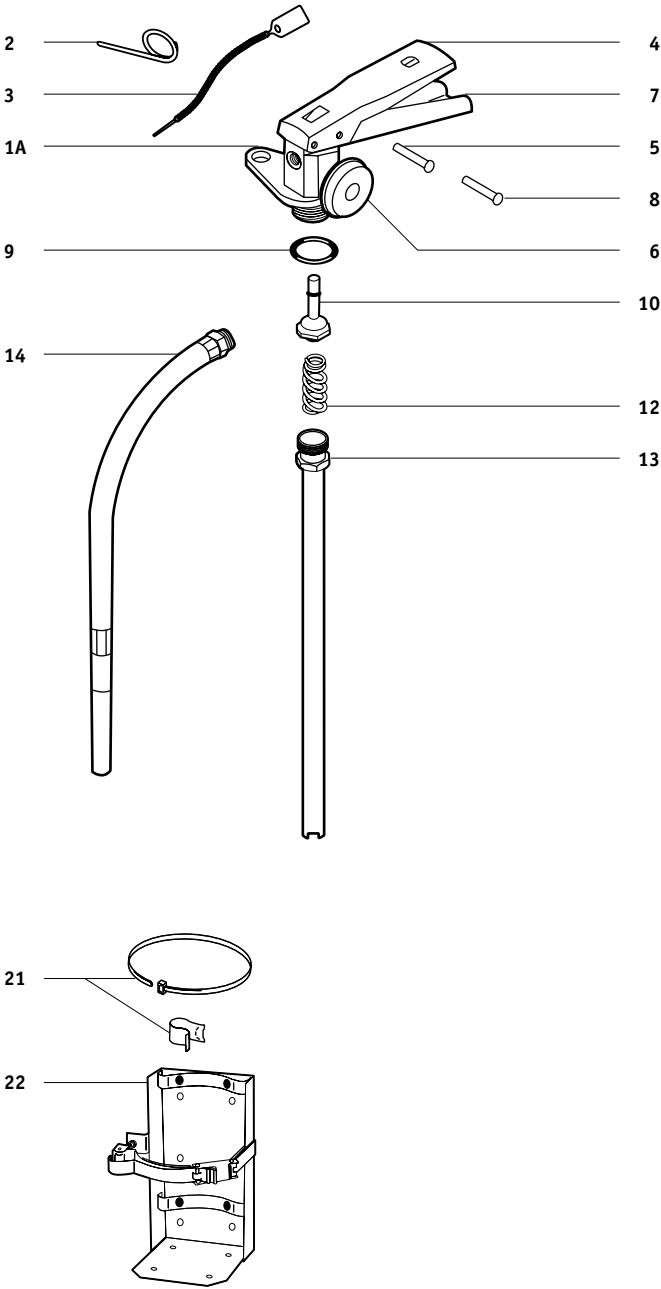
B150A, B150AL, B125K, B125KL, B150R, B150RL, B150-A1, B150AL-1, B125K-1, B125KL-1, B150R-1, B150RL-1

FIG.	P/N	SERVICE & MAINTENANCE PART DESCRIPTION
3	3031BD	Pressure Regulator
8	3034B	Nitrogen Hose
10	4045B	Chemical Hose & Nozzle Gasket
11	20079BD	Chemical Hose Assembly (Special Order)

FIG.	P/N	ACCESSORY PART DESCRIPTION
N/S	CS10	Nitrogen Valve Lock Wire



11 BUCKEYE - FIRE EXTINGUISHER PARTS



DRY CHEMICAL

5HI-SA40-ABC, 5HI-SB40-ABC, 5HI-SA-PK, 5.5HI-SA40-STD, 10HI-SA80-ABC, 10HI-SB80-ABC, 10S HI-SA-ABC, 10S HI-SA-STD, 10S HI-SA-PK, 10T HI-SA80-ABC, 10T HI-SB80-ABC, 10T HI-SA-ABC, 10T HI-SA-STD, 10T HI-SB-STD, 10T HI-SA-PK, 10T HI-SB-PK, 20S HI-SA-ABC, 20S HI-SB-ABC, 20S HI-SA-STD, 20S HI-SA-PK, 20S HI-SB-PK, 30S HI-SB-ABC, 30S HI-SB-PK

HALON 1211

5HI-SA-1211-A, 5HI-SB-1211-A, 9HI-SA-1211, 9HI-SB-1211, 9S HI-SA-1211, 13HI-SA-1211, 13HI-SB-1211, 13S HI-SA-1211, 17S-SA-1211, 20S-SA-1211, 20S-SB-1211

HALOTRON I

5 - 24 lb, 5 FSA, 5HSA, 11SA, 11SB, 15SA, 15SB

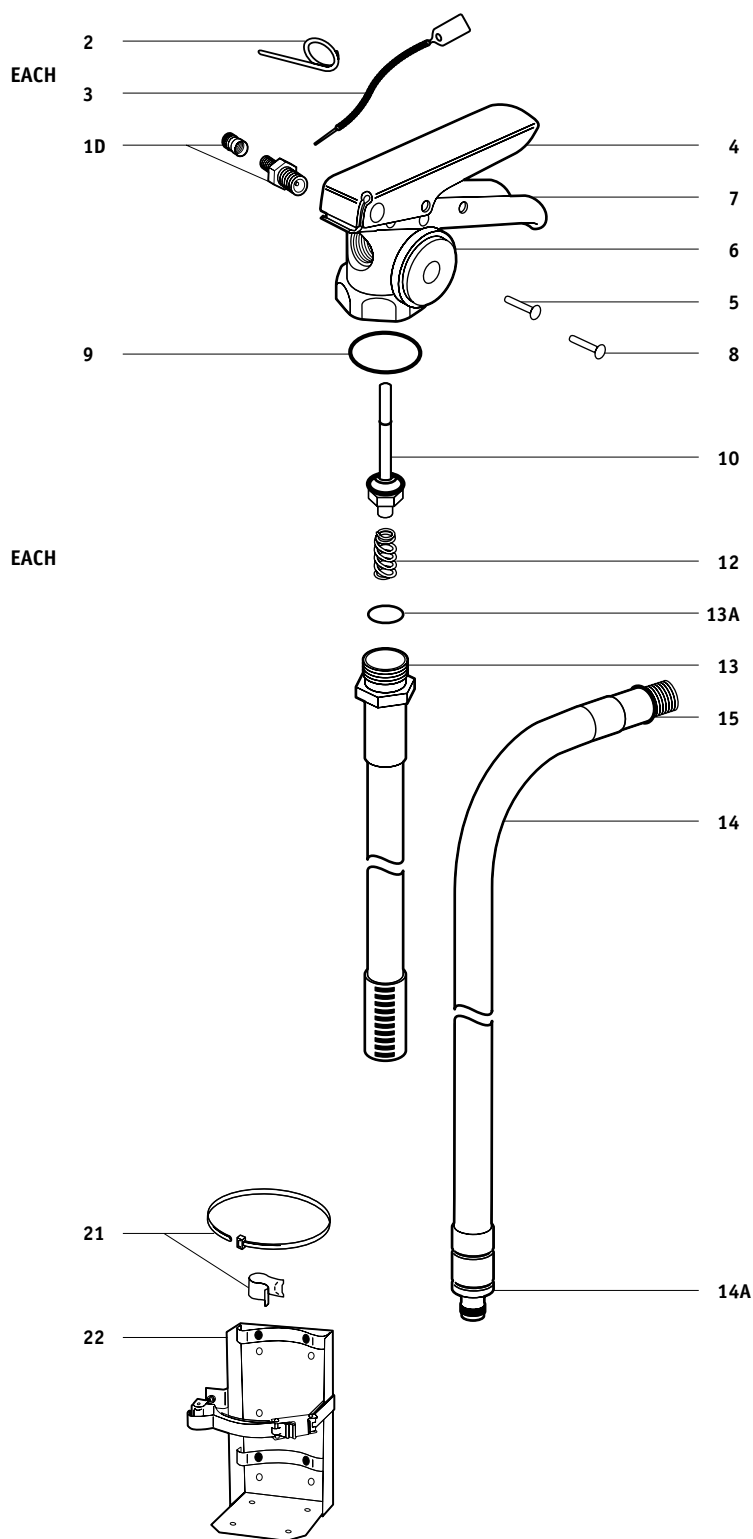
FIG.	P/N	SERVICE & MAINTENANCE PART DESCRIPTION	EACH
1A	700201W	Hanger Loop (SA)	
2		Pull Pin	
3		Tamper Seal	
4	900210W	Lever (SA)	
4	900214W	Lever (SB)	
5	900050W	Lever Rivet (SA)	
5	900053W	Lever Rivet (SB)	
6	G195	Gauge - 195 All Dry Chemical	
6	G100H	Gauge - 100 (Halon) All 5 lb Halon	
6	G195H	Gauge - 195 (Halon) All 9, 13, 17, 20 lb Halon	
6	G100T	Gauge - 100 (Halotron I) All 5-11 lb Halotron I	
6	G125T	Gauge - 125 (Halotron I) All 12, 14, 15 lb Halotron I	
7	900228W	Handle (SA)	
7	900232W	Handle (SB)	
8	900049W	Handle Rivet (SA)	
8	900052W	Handle Rivet (SB)	
9	900001W	Collar O-Ring	
9	900004W	Collar O-Ring All Halon	
9	900010W	Collar O-Ring	
9	900013W	Collar O-Ring All Steel Cylinder Halotron I	
10	103215W	Valve Stem All Dry Chemical	
10	103214W	Valve Stem All Halon	
10	103216W	Valve Stem All Halotron I	
12	900105W	Spring (Replaces 900101)	
13	900960W	Siphon Tube All 5 HI, 5.5 HI	
13	900962W	Siphon Tube All 10S HI	
13	900963W	Siphon Tube All 10T HI	
13	900971W	Siphon Tube All 10 HI, 20 HI	
14	109267W	Hose & Nozzle Assembly (.128) 5 HI SA40 ABC	
14	113277W	Hose & Nozzle Assembly (.144) 10 HI SA80 ABC, 10T HI SA80 ABC	
14	126216W	Hose & Nozzle Assembly (.180) 20S HI SA ABC	
21		Universal Hose Strap/Clip	
N/S	WH5	Wall Hanger All 5-5½ lb	
N/S	WH15	Wall Hanger All 10 lb	
N/S	WH20	Wall Hanger ALL 20S, 30S	
N/S	700270W	Vehicle Bracket All 5 lb	
22	5DC	Heavy-Duty Vehicle Bracket All 5 lb	
22	5HB	Heavy-Duty Vehicle Bracket All 9-17 lb, Except 9S, 10S, 13, 17S	
22	10HB	Heavy-Duty Vehicle Bracket All 9S, 10S, 13S, 17S	
22	15HB	Heavy-Duty Vehicle Bracket All 20-30 lb	
N/S	AD23	Recharge Adapter	
N/S	HTA7	Hydrostatic Test Adapter	

WET CHEMICAL

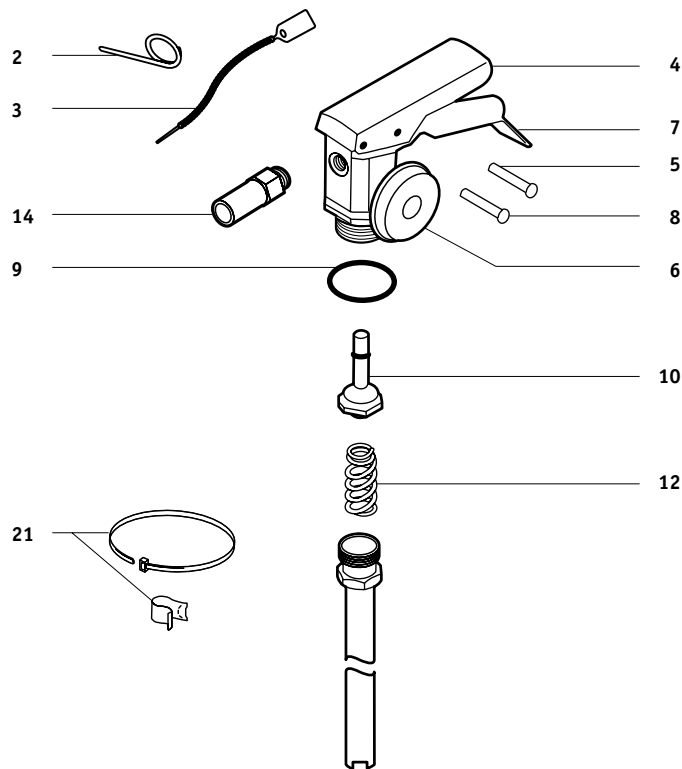
6 liter, 2.5 gallon

FIG.	P/N	SERVICE & MAINTENANCE PART DESCRIPTION
2		Pull Pin, Stainless Steel
3		Tamper Seal
4	900322W	Lever
5	900053W	Lever Rivet
6	G100K	Gauge - 100 psi
7	900919W	Handle
8	900052W	Handle Rivet
9	900916W	Collar O-Ring
10	900921W	Valve Stem Assembly
12	900928W	Spring
13	300465W	Siphon Tube, 6 L
13	300464W	Siphon Tube, 2.5 gal
13A	900930W	Siphon Tube O-Ring
14	WC6LDA	Hose & Wand Assembly w/ Nozzle, 6 L
14	900637W	Hose & Wand Assembly w/ Nozzle, 2.5 gal
14A	NOZ001WCA	Nozzle Assembly, 6 L
14A	900936W	Nozzle Assembly, 2.5 gal
15	900941W	Hose O-Ring
N/S	BK600872	Wet Chemical Charge, 6 L

FIG.	P/N	ACCESSORY PART DESCRIPTION
1D	AV1	Pressure Valve & Cap Assembly
N/S	AVC	Pressure Cap, Pkg/50
N/S	CORE	Pressure Valve Core, Pkg/50
21		Universal Hose Strap/Clip
22	15HB	Heavy-Duty Vehicle Bracket
N/S	HTA10	Hydrostatic Test Adapter



11 BUCKEYE - FIRE EXTINGUISHER PARTS



DRY CHEMICAL

2 STD-100, 2 PK-100, 2.5 STD-100, 2.5 ABC-100, 2.5 PK-100, M-5 ABC-II-100,
2.5 SA ABC, 2.5 SA STD, 2.5 SA PK

HALON 1211

1-1211, 2.2-1211, 2.5-1211

HALOTRON I

2.5 lb & 3 lb Models, 2.5 F SA, 2.5 H SA

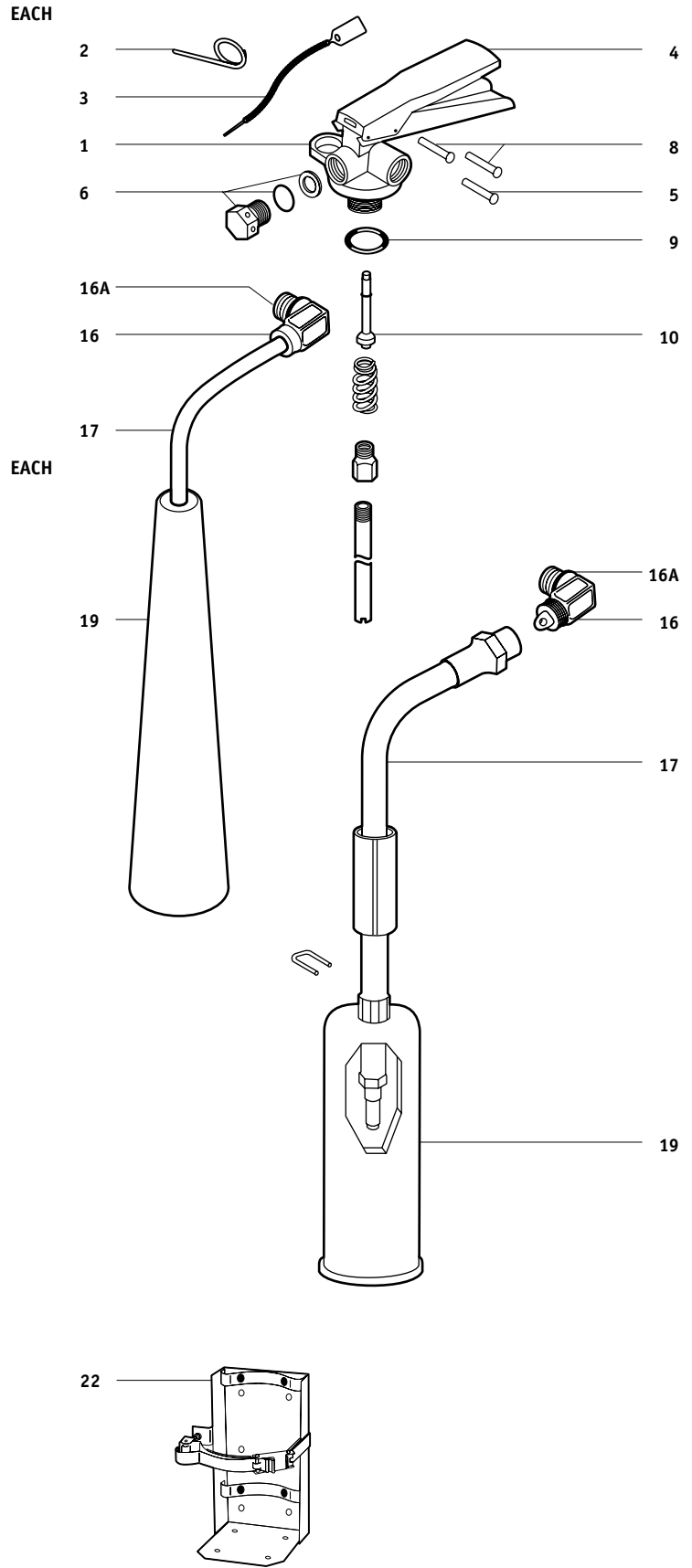
FIG.	P/N	SERVICE & MAINTENANCE PART DESCRIPTION	EACH
2		Pull Pin	
3		Tamper Seal	
4	900209W	Lever (Aluminum Cylinders)	
4	900217W	Lever (Steel Cylinders)	
5	900050W	Lever Rivet	
6	G100	Gauge - 100 All Dry Chemical	
6	G100H	Gauge - 100 (Halon) All Halon	
6	G100T	Gauge - 100 (Halotron I) All Halotron I	
7	900218W	Handle (Steel Cylinders)	
8	900049W	Handle Rivet	
9	900004W	Collar O-Ring (Aluminum Cylinders) Dry Chemical, Halon 1211	
9	900001W	Collar O-Ring (Steel Cylinders) Dry Chemical, Halon 1211	
9	900014W	Collar O-Ring (Aluminum Cylinders) Halotron I	
9	900013W	Collar O-Ring (Steel Cylinders) Halotron I	
10	103215W	Valve Stem All Dry Chemical	
10	103214W	Valve Stem All Halon	
10	103216W	Valve Stem All Halotron I	
12	900105W	Spring	
14	101145W	Nozzle 2.5 ABC-100, 2.5 STD-100	
FIG.	P/N	ACCESSORY PART DESCRIPTION	EACH
21		Universal Hose Strap/Clip M5 ABC-II-100	
N/S	AD23	Recharge Adapter	
N/S	HTA7	Hydrostatic Test Adapter	

CARBON DIOXIDE

451, 456, 461, 466

FIG.	P/N	SERVICE & MAINTENANCE PART DESCRIPTION
1	149250WD	Valve Assembly
2		Pull Pin, Stainless Steel
3		Tamper Seal
4	900322W	Lever (200083)
5	900053W	Lever Rivet
6	200081W	Safety Disc, Gasket, & Nut Assembly
8	900052W	Handle Rivet
9	900329W	Collar O-Ring
10	900321W	Valve Stem Assembly
16	450202W	Elbow w/ O-Ring 5 lb
16A	900331W	Elbow O-Ring
17	453231W	Hose & Nozzle Assembly 10, 15, 20 lb
17	900310W	Swivel - Discharge Tube 5 lb
19	900313W	Horn 5 lb
19	900314W	Horn w/ Handle 10, 15, 20 lb

FIG.	P/N	ACCESSORY PART DESCRIPTION
N/S	RDS15	Hose Strap 10-15 lb
N/S	RDS20	Hose Strap 20 lb
N/S	RDBACLIP	Horn Clip 10, 15, 20 lb
N/S	SET6	Hardware Set 10, 15, 20 lb
N/S	BL209	Replacement Nameplate (Non-UL) 5 lb
N/S	BL210	Replacement Nameplate (Non-UL) 10-20 lb
N/S	WH5	Wall Hanger 5 lb
N/S	WH15	Wall Hanger 10, 15 lb
N/S	WH20	Wall Hanger 20 lb
22	5HB	Heavy-Duty Vehicle Bracket 5 lb
22	15HB	Heavy-Duty Vehicle Bracket 10, 15 lb
22	20HB	Heavy-Duty Vehicle Bracket 20 lb



11 FLAG - FIRE EXTINGUISHER PARTS

DRY CHEMICAL

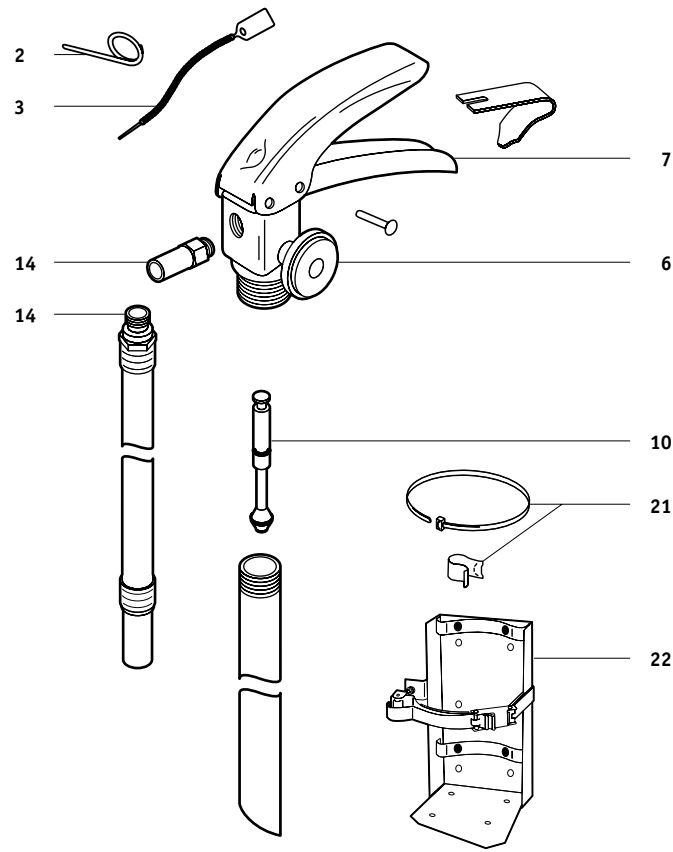
2½ - 5 lb G

FIG.	P/N	SERVICE & MAINTENANCE PART DESCRIPTION	EACH
2		Pull Pin	
3		Tamper Seal	
6	G175	Gauge - 175	
7	551979FG	Handle (Replaces 10784)	
10	552143FG*	Valve Stem (Replaces 11130 & 552013)	
14	552005FG	Nozzle (Replaces 11161) ABC 2.5 lb	

ACCESSORY PART DESCRIPTION

21		Universal Hose Strap/Clip 5 lb
22	5DC	Heavy-Duty Vehicle Bracket 5 lb
N/S	AD21	Recharge Adapter
N/S	HTA20	Hydrostatic Test Adapter

*WHILE QUANTITIES LAST!



DRY CHEMICAL

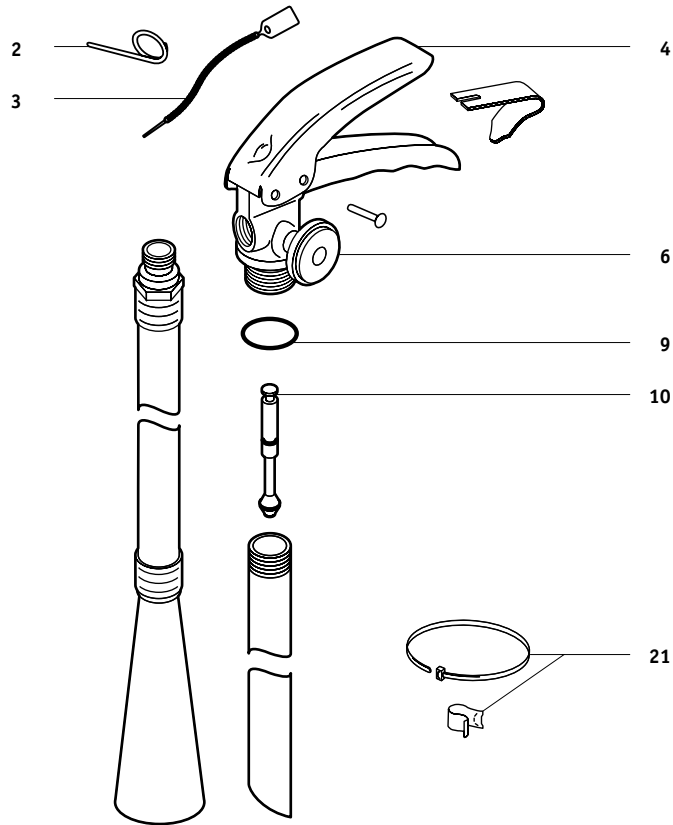
10 - 30 lb G

FIG.	P/N	SERVICE & MAINTENANCE PART DESCRIPTION	EACH
2		Pull Pin	
3		Tamper Seal	
4	429163AS	Lever (Replaces 10515)	
6	G175	Gauge - 175	
9	429537AS	Collar O-Ring (Replaces 10513)	
10	552144FG*	Valve Stem (Replaces 10990 & 429538)	

ACCESSORY PART DESCRIPTION

21		Universal Hose Strap/Clip
N/S	AD24	Recharge Adapter
N/S	HTA7	Hydrostatic Test Adapter

*WHILE QUANTITIES LAST!



WATER

W02

WET CHEMICAL

K01

FIG.	P/N	SERVICE & MAINTENANCE PART DESCRIPTION
2		Pull Pin
3		Tamper Seal
4	429163AS	Lever
5	429165AS	Lever Rivet
6	G100WS	Gauge - 100
9	429537AS	Collar O-Ring
10	552144FG*	Valve Stem Assembly (Replaces 429538)
14	439495AS	Hose & Nozzle Assembly
N/S	426074AS	Nozzle Tip
15	429544AS	Hose O-Ring

FIG.	P/N	ACCESSORY PART DESCRIPTION
21		Universal Hose Strap/Clip
22	15HB	Heavy-Duty Vehicle Bracket
N/S	WH20	Wall Hanger

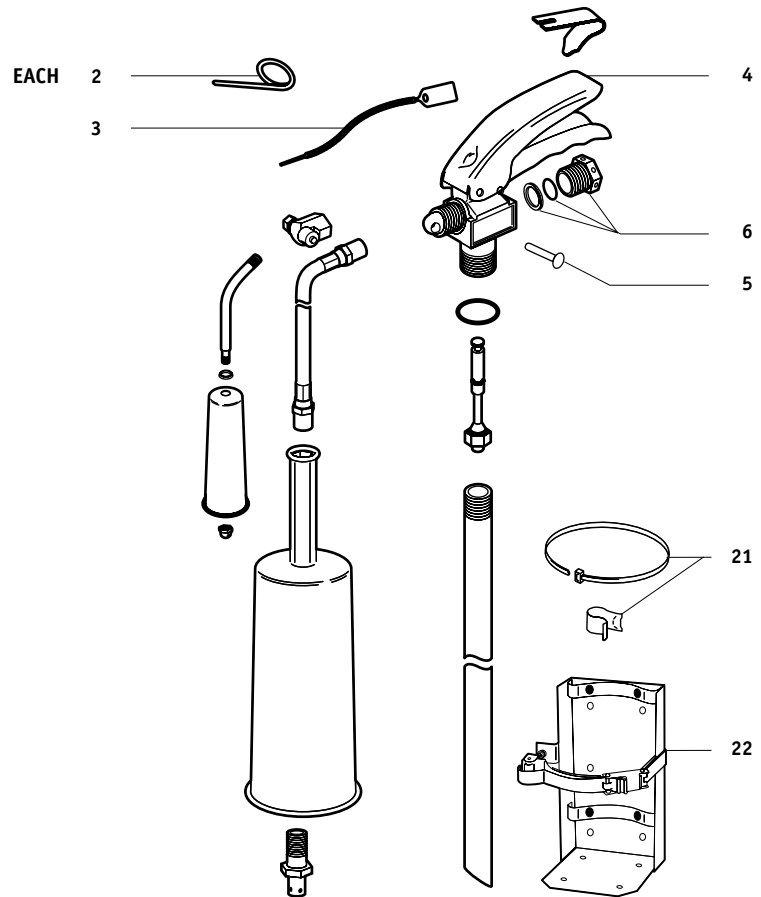
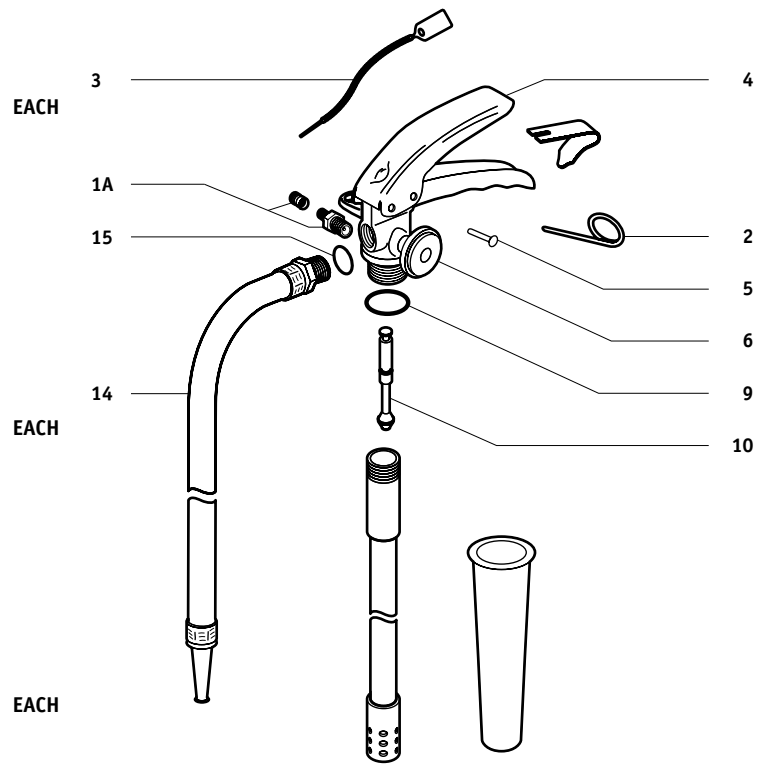
*WHILE QUANTITIES LAST!

CARBON DIOXIDE

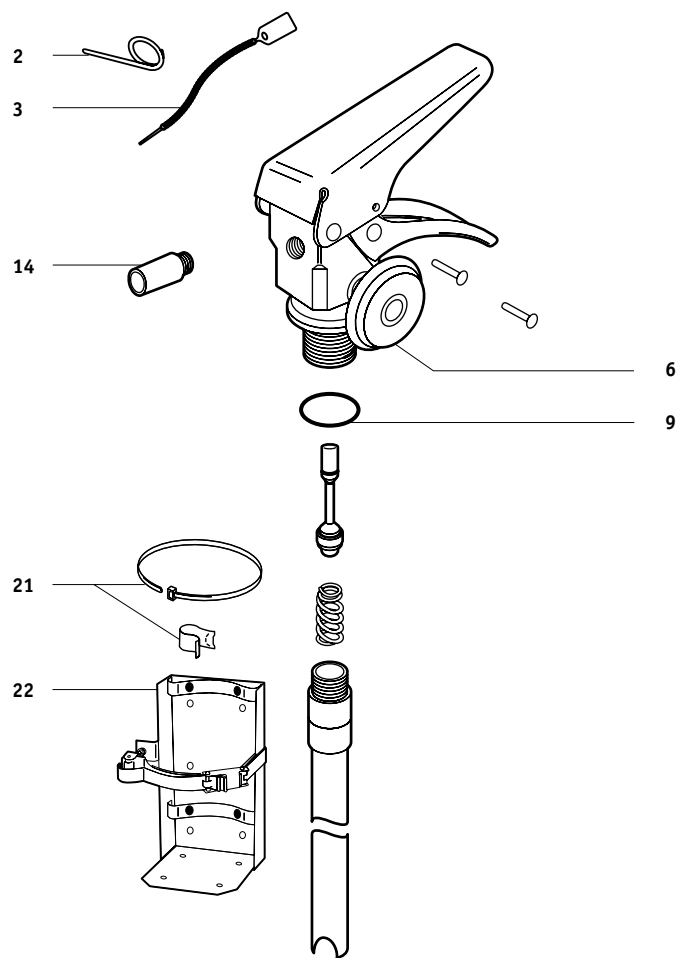
CD05, CD05A, CD10, CD10A, CD15, CD15A, CD20, CD20A

FIG.	P/N	SERVICE & MAINTENANCE PART DESCRIPTION
2		Pull Pin, Stainless Steel
3		Tamper Seal
4	429163AS	Lever
5	429165AS	Lever Rivet
6	429515AS	Safety Disc, Gasket, & Nut Assembly

FIG.	P/N	ACCESSORY PART DESCRIPTION
N/S	RDS15	Hose Strap 10, 15 lb Aluminum Cylinder
N/S	RDS20	Hose Strap 20 lb Aluminum Cylinder
N/S	RDBACLIP	Horn Clip All 10, 15, 20 lb
N/S	SET6	Hardware Set All 10, 15, 20 lb
N/S	BL209	Replacement Nameplate 5 lb (Non-UL) All 5 lb
N/S	BL210	Replacement Nameplate 10-20 lb (Non-UL) All 10, 15, 20 lb
N/S	WH5	Wall Hanger All 5 lb
N/S	WH15	Wall Hanger All 10, 15 lb
N/S	WH20	Wall Hanger All 20 lb
22	5HB	Heavy-Duty Vehicle Bracket All 5 lb
22	15HB	Heavy-Duty Vehicle Bracket All 10, 15 lb
22	20HB	Heavy-Duty Vehicle Bracket All 20 lb



11 GENERAL - FIRE EXTINGUISHER PARTS



DRY CHEMICAL

CP-2 1/2J, KCP-2 1/2J, TCP-2 1/2J, CP-5J, CP-5LH, TCP-5J, TCP-5JH, TCP-5LH, CP-10LH, TCP-10LH

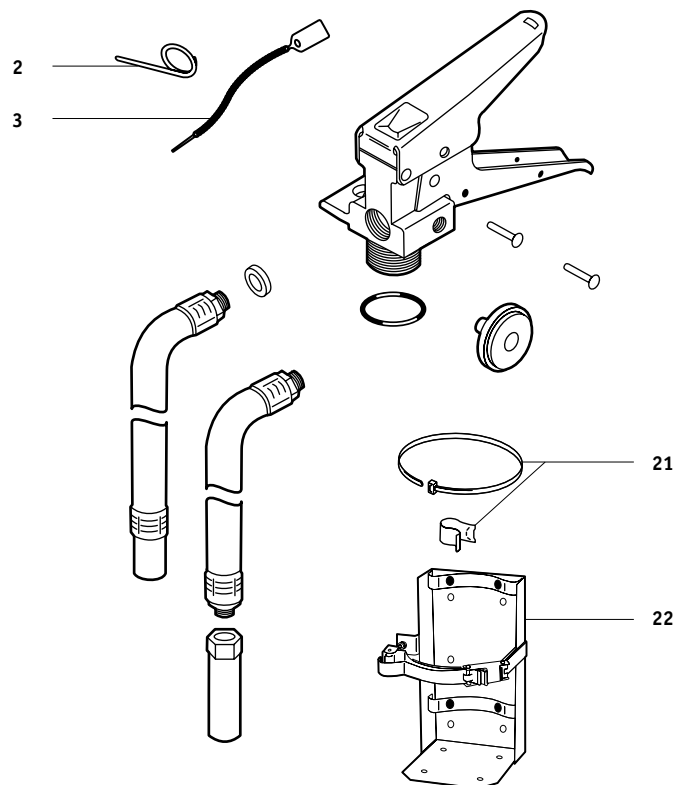
HALON 1211

GH-2 1/2J, GH-3J, GH-5J, GH-5JH

FIG.	P/N	SERVICE & MAINTENANCE PART DESCRIPTION	EACH
2		Pull Pin	
3		Tamper Seal	
6	G195	Gauge - 195	
6	G125H	Gauge - 125 (Halon)	
9	11178G*	Collar O-Ring 2.5-5 lb	
14	39622G*	Nozzle TCP-2 1/2J, KCP-2 1/2J	

FIG.	P/N	ACCESSORY PART DESCRIPTION	EACH
21		Universal Hose Strap/Clip	
22	5DC	Heavy-Duty Vehicle Bracket All 5 lb	
22	5HB	Heavy-Duty Vehicle Bracket All 10 lb	
N/S	AD24	Recharge Adapter	
N/S	HTA20	Hydrostatic Test Adapter 2.5-5 lb	
N/S	HTA7	Hydrostatic Test Adapter 10 lb	

*WHILE QUANTITIES LAST!



DRY CHEMICAL

GP-10F, TGP-10F, GP-20F, TGP-20F, TGP-10G, TGP-20G

HALON 1211

GH-9F, GH-13F, GH-17F, GH-20F

FIG.	P/N	SERVICE & MAINTENANCE PART DESCRIPTION	EACH
2		Pull Pin	
3		Tamper Seal	
6	G195	Gauge - 195 All Dry Chemical	

FIG.	P/N	ACCESSORY PART DESCRIPTION	EACH
21		Universal Hose Strap/Clip	
N/S	WH5	Wall Hanger GP-10F, TGP-10F, GH-9F, GH-13F, GH-17F	
22	5HB	Heavy-Duty Vehicle Bracket GP-10F, TGP-10F, GH-9F, GH-13F, GH-17F	
22	15HB	Heavy-Duty Vehicle Bracket GP-20F, TGP-20F, GH-20F	
N/S	AD24	Recharge Adapter	
N/S	HTA5	Hydrostatic Test Adapter	

DRY CHEMICAL

ProPlus 2.5MP, 5MP

HALOTRON I

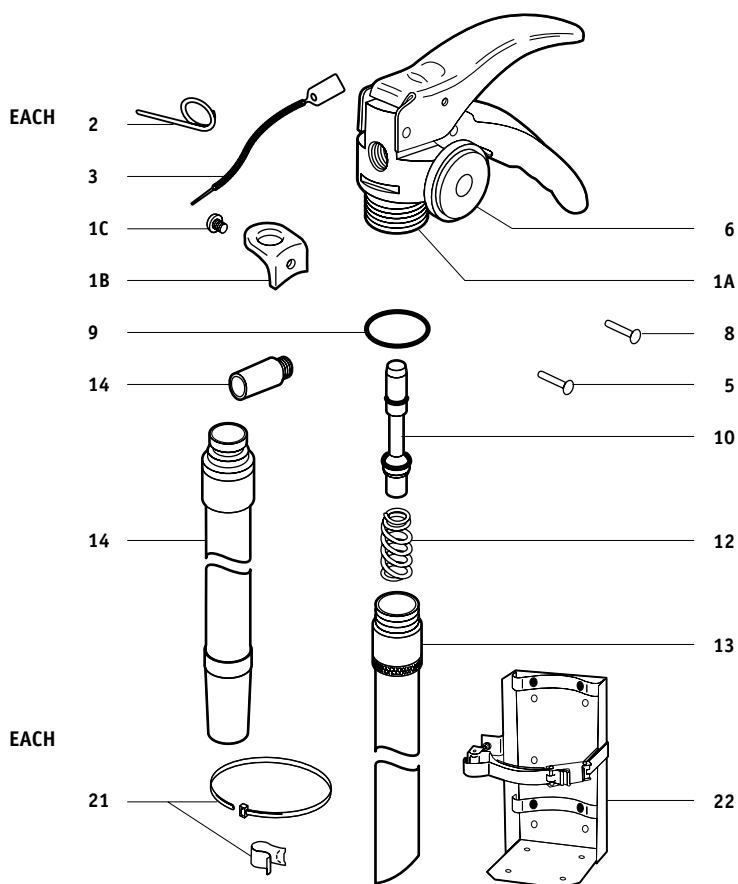
ProPlus 2.5HM, 5HM

FIG. P/N SERVICE & MAINTENANCE PART DESCRIPTION

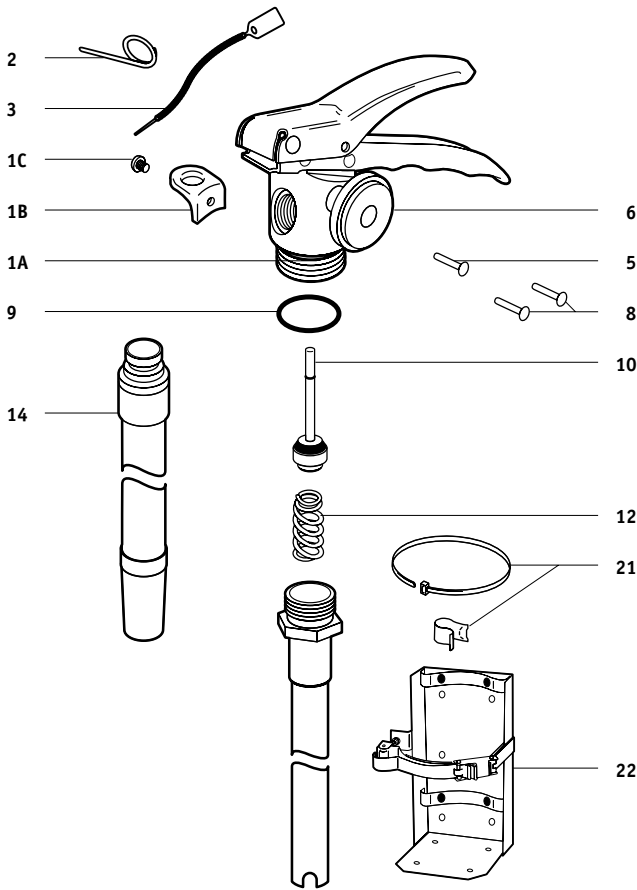
1A	19520B	Valve Body
1B	8516B	Hanger Loop
1C	19622B	Hanger Loop Screw
2		Pull Pin
3		Tamper Seal
5	18404B	Lever Rivet
6	G195	Gauge - 195 All Dry Chemical
6	G100T	Gauge - 100 (Halotron I) All Halotron I
8	16517B	Handle Rivet
9	20745B	Collar O-Ring All Dry Chemical
9	23074B	Collar O-Ring All Halotron I
10	19010B	Valve Stem All Dry Chemical
10	23068B	Valve Stem All Halotron I
12	19393B	Spring
13	19825B	Siphon Tube
14	14816B	Nozzle 2.5MP
14	19548B	Hose & Nozzle Assembly 5MP

FIG. P/N ACCESSORY PART DESCRIPTION

21		Universal Hose Strap
N/S	WH5	Wall Hanger
N/S	MB250	Vehicle Bracket 2.5MP
N/S	MB5	Vehicle Bracket 5MP
22	5DC	Heavy-Duty Vehicle Bracket 5MP
N/S	AD21	Recharge Adapter
N/S	HTA45	Hydrostatic Test Adapter



11 KIDDE - FIRE EXTINGUISHER PARTS



DRY CHEMICAL

ProPlus 10MP, 20MP

FIG.	P/N	SERVICE & MAINTENANCE PART DESCRIPTION	EACH
1A	16459B	Valve Body	
1B	8516B	Hanger Loop	
1C	19622B	Hanger Loop Screw	
2		Pull Pin	
3		Tamper Seal	
5	16633B	Lever Rivet	
6	G195	Gauge - 195	
8	4095B	Handle Rivet	
9	20746B	Collar O-Ring	
10	12426B	Valve Stem	
12	7630B	Spring	
14	22601B	Hose & Nozzle Assembly	

FIG.	P/N	ACCESSORY PART DESCRIPTION	EACH
21		Universal Hose Strap	
N/S	WH5	Wall Hanger	
		10MP	
N/S	WH15	Wall Hanger	
		20MP	
22	5HB	Heavy-Duty Vehicle Bracket	
		10MP	
22	15HB	Heavy-Duty Vehicle Bracket	
		20MP	
N/S	AD24	Recharge Adapter	
N/S	HTA44	Hydrostatic Test Adapter	

HALOTRON I

ProPlus 11HM, 15.5HM

FIG.	P/N.	ACCESSORY PART DESCRIPTION	EACH
1B	23358B	Hanger Loop	
1C	21390B	Hanger Loop Screw	
2		Pull Pin	
3		Tamper Seal	
5	16633B	Lever Rivet	
6	G125T	Gauge-125 (Halotron I)	
		All Halotron I	
8	4095B	Handle Rivet	
9	23089B	Collar O-Ring	
10	23086B	Valve Stem	
12	7630B	Spring	

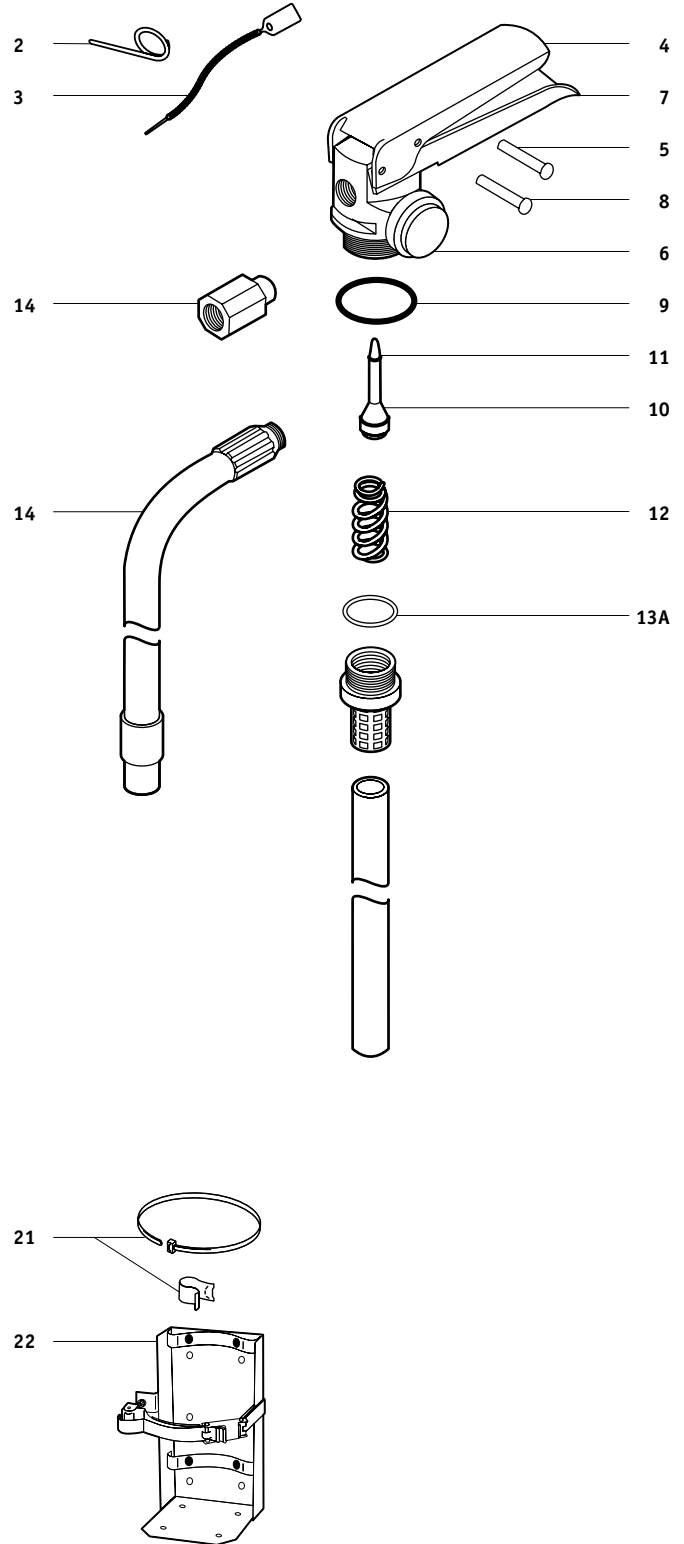
FIG.	P/N	ACCESSORY PART DESCRIPTION	EACH
21		Universal Hose Strap	
N/S	WH5	Wall Hanger	
		11HM	
N/S	WH15	Wall Hanger	
		15.5HM	
22	5HB	Heavy-Duty Vehicle Bracket	
		11HM	
22	15HB	Heavy-Duty Vehicle Bracket	
		15.5HM	
N/S	AD24	Recharge Adapter	
N/S	HTA44	Hydrostatic Test Adapter	

DRY CHEMICAL

PRO2.5TCM-8, PRO2.5TCM-6, PRO2.62TCM-5, PRO2.5MP, PRO2.75RM-6, PRO2.75RM-5, PRO2.75R, PRO4TCM-9, PRO4TCM-8, PRO4TCM-6, PRO4TCM-4, PRO4MP, PRO5TCM-8, PRO5TCM-6, PRO5TCM-4, PRO5MP, PRO6RM-4, PRO6R, PRO10TCM-9, PRO10TCM-8, PRO10TCM-6, PRO10TCM-5, PRO10TCM-4, PRO10MP, PRO10RM-5, PRO10RM-4, PRO10R, PRO10PKM-3, PRO10PK, PRO20TCM-9, PRO20TCM-8, PRO20TCM-6, PRO20TCM-5, PRO20TCM-4, PRO20MP, PRO20RM-5, PRO20RM-4, PRO20R, PRO20PKM-5, PRO20PKM-3, PRO20PK

FIG.	P/N	SERVICE & MAINTENANCE PART DESCRIPTION	EACH
2		Pull Pin	
3		Tamper Seal	
4	18363B	Lever	
5	18404B	Lever Rivet	
6	G100	Gauge - 100 2.5-4 lb	
6	G195	Gauge - 195 5-20 lb	
7	18361B	Handle	
8	16517B	Handle Rivet	
9	320680K	Collar O-Ring	
9	340036K	Collar Seal (340035) All -8 and -9 models	
10	440068K	Valve Stem	
11	259772K	Valve Stem O-Ring	
12	320732K	Spring	
13A	320167K	Siphon Tube O-Ring	
14	440089K	Hose & Nozzle Assembly PRO5TCM-4, PRO5MP	
14	440330K	Hose & Nozzle Assembly PRO20TCM-5, PRO20MP	

FIG.	P/N	ACCESSORY PART DESCRIPTION	EACH
21		Universal Hose Strap/Clip	
N/S	340357K	Wall Hanger All 2.5-2.75 lb	
N/S	340358K	Wall Hanger All 4-6 lb	
N/S	340791K	Wall Hanger All 10 lb	
22	5DC	Heavy-Duty Vehicle Bracket All 4-6 lb	
22	5HB	Heavy-Duty Vehicle Bracket All 10 lb	
22	15HBL	Heavy-Duty Vehicle Bracket All 20 lb	
N/S	AD23	Recharge Adapter	
N/S	HTA45	Hydrostatic Test Adapter	
N/S	HTA18	Hydrostatic Test Adapter	



11 KIDDE - FIRE EXTINGUISHER PARTS

DRY CHEMICAL (From 1991)

2 3/4RM-2, -3, -4, 2 5/8TCM-2, -3, -4, 4TCM-3, 5TCM-2, -3, 6RM-2, -3, 10RM-2, 10TCM-2, 20RM-2, -3, 20TCM-2, -3

HALON 1211 (From 1991)

2.5HM-2, -3, 5HM-2, -3, 9HM-2, -3, 13HM-3, 17HM-2, 20HM-2

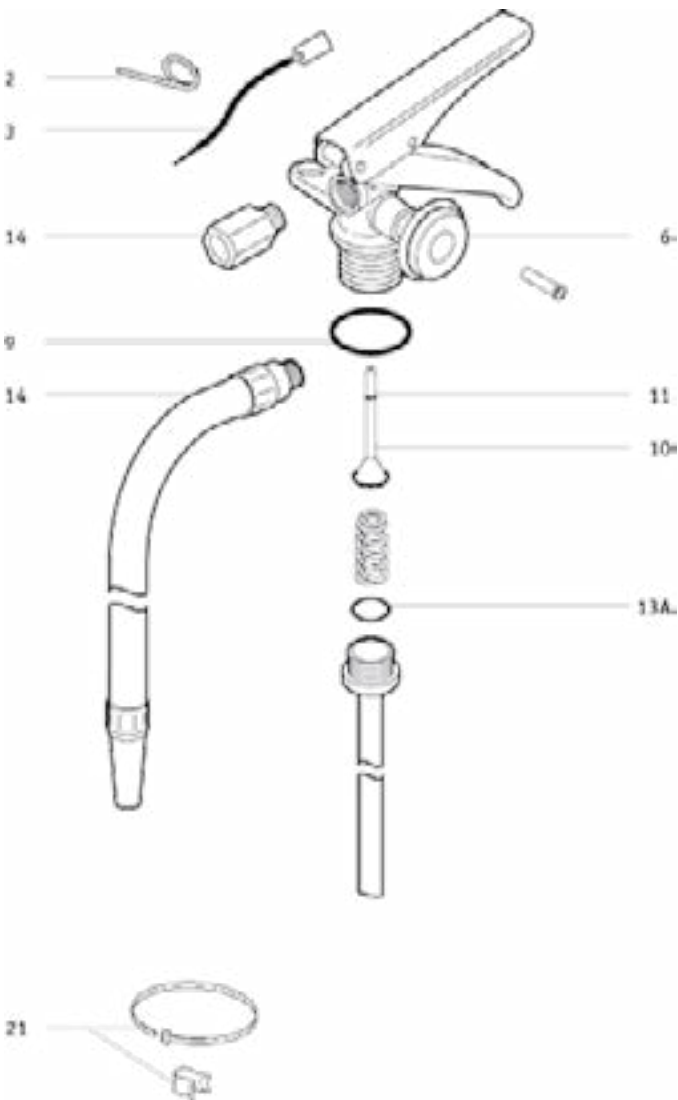


FIG.	P/N	SERVICE & MAINTENANCE PART DESCRIPTION	EACH
2		Pull Pin	
3		Tamper Seal	
6	G100	Gauge - 100	
		All 2.6-4 lb Dry Chemical	
6	G195	Gauge - 195	
		All 5-20 lb Dry Chemical	
6	G100H	Gauge - 100 (Halon)	
		All 2.5-6 lb Halon	
6	G195H	Gauge - 195 (Halon)	
		All 9-20 lb Halon	
9	340036K	Collar Seal (340035)	
		All Dry Chemical, Halon	
10	440020K	Valve Stem	
		All Dry Chemical	
11	259772K	Valve Stem O-Ring	
		All Dry Chemical	
13A	320167K	Siphon Tube O-Ring	
14	440089K	Hose & Nozzle Assembly	
		5TCM-2, 5TCM-3	

FIG.	P/N	ACCESSORY PART DESCRIPTION	EACH
21		Universal Hose Strap/Clip	
N/S	1141K	Wall Hanger (Replaces 320075 & 320688K)	
		5TCM-2, 6RM-2, 10RM-2, -3, 10TCM-2, -3, 5-13 lb Halon	
N/S	466400K	Vehicle Bracket (Replaces 896697)	
		5TCM-2, 6RM-2, 5HM-2, 9HM-2	
N/S	466401K	Vehicle Bracket (Replaces 896698)	
		2 3/4RM-2, -3, 2 5/8TCM-2, -3, 2.5HM-2	
N/S	AD23	Recharge Adapter	
N/S	HTA18	Hydrostatic Test Adapter	

DRY CHEMICAL (To 1991)

2 3/4RM, 2 5/8TCM, 5TCM, 6RM, 6TCM, 10RM, 10RM-1, 10TCM, 10TCM-1, 20RM, 20RM-1, 20TCM, 20TCM-1

HALON 1211 (To 1991)

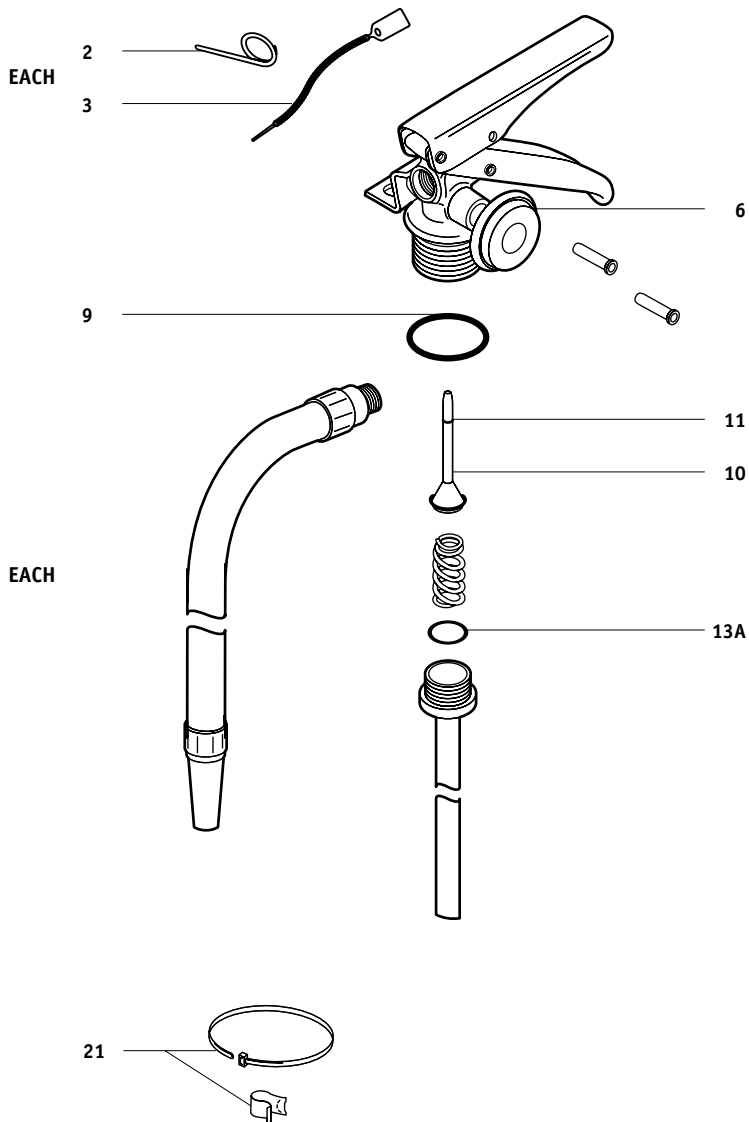
2.5HM, 5HM, 9HM, 13HM-1, 17HM-1, 20HM-1

FIG. P/N SERVICE & MAINTENANCE PART DESCRIPTION

2		Pull Pin
3		Tamper Seal
6	G100	Gauge - 100 All 2.6-4 lb Dry Chemical
6	G195	Gauge - 195 All 5-20 lb Dry Chemical
6	G100H	Gauge - 100 (Halon) All 2.5-6 lb Halon
6	G195H	Gauge - 195 (Halon) All 9-20 lb Halon
9	340036K	Collar Seal (340035) All Dry Chemical, Halon, Except 10, 20 lb RM, RM-1, TCM, TCM-1, 17HM-1, 20HM-1
9	340037K	Collar Seal 10-20 lb RM, RM-1, TCM, TCM-1
10	440020K	Valve Stem All Dry Chemical
11	259772K	Valve Stem O-Ring All Dry Chemical
13A	320167K	Siphon Tube O-Ring

FIG. P/N ACCESSORY PART DESCRIPTION

21		Universal Hose Strap/Clip
N/S	1141K	Wall Hanger (Replaces 320075 & 320688K) 2-10 lb RM, TCM, 5-13 lb Halon
N/S	466400K	Vehicle Bracket (Replaces 896697) 6RM, 6TCM, 5TCM, 5HM, 9HM
N/S	466401K	Vehicle Bracket (Replaces 896698) 2 3/4RM, 2 5/8TCM, 2.5HM
N/S	AD35	Recharge Adapter
N/S	AD23	Recharge Adapter
N/S	HTA18	Hydrostatic Test Adapter
N/S	HTA5	Hydrostatic Test Adapter



11 KIDDE - FIRE EXTINGUISHER PARTS

DRY CHEMICAL

XL5TCZ, 6#TAP, 2A40BC (w/ Hose), XL6RZ, 6#RAP, 40BC

HALON 1211

AC-2.5

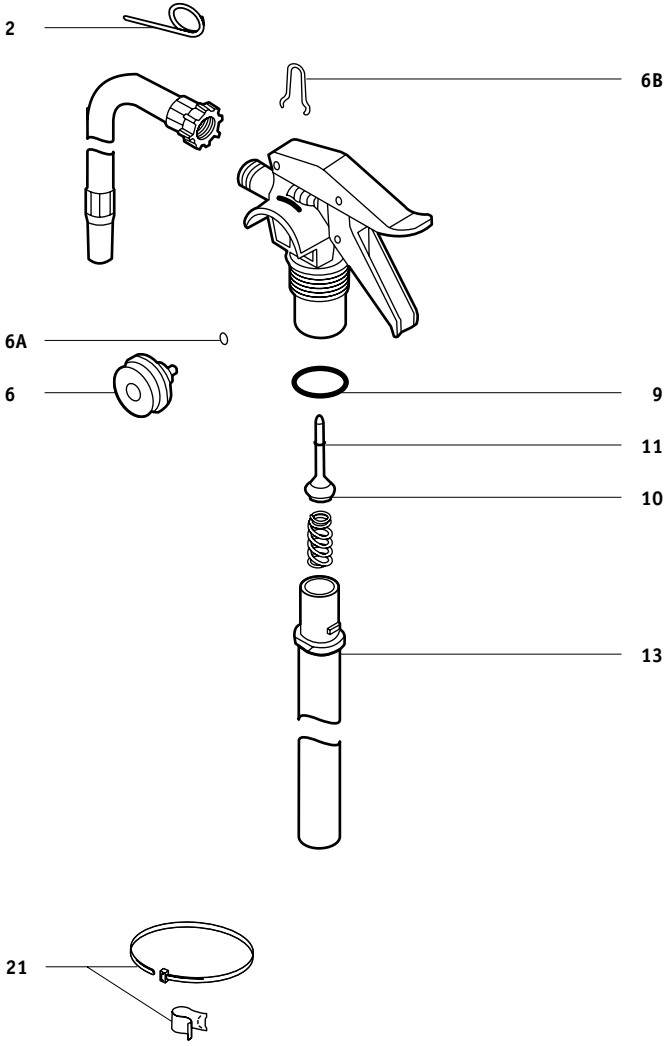


FIG.	P/N	SERVICE & MAINTENANCE PART DESCRIPTION	EACH
2	259057K	Pull Pin	
6	293266K	Gauge - 195 Dry Chemical	
6A	259535K	Gauge O-Ring Dry Chemical	
6A	260613K	Gauge O-Ring Halon	
6B	259053K	Gauge Clip	
9	340036K	Collar O-Ring All	
10	440007K	Valve Stem Halon	
10	877546K	Valve Stem Dry Chemical	
11	259772K	Valve Stem O-Ring Dry Chemical	
13	420042K	Siphon Tube Assembly 6#TAP, 2A40BC (w/ Hose), XL6RZ, 6#RAP, 40BC	

FIG.	P/N	ACCESSORY PART DESCRIPTION	EACH
21		Universal Hose Strap/Clip	
N/S	293263K	Wall Hanger All, Except AC-2.5	
N/S	466400K	Vehicle Bracket	
N/S	AD32	Recharge Adapter	
N/S	HTA18	Hydrostatic Test Adapter	

DRY CHEMICAL

XL2.5TCZ, XL2.5TCZ-3, 1A10BC, XL2.75RZ, XL2.75RZ-3, 10BC,
EXT 2A40BC (w/ Nozzle), EXT6#BC

HALON 1211

XL2.5HZ, HAL2.5, 12115BC, XL5HZ, HAL5A, XL9HZ, 9#HALON

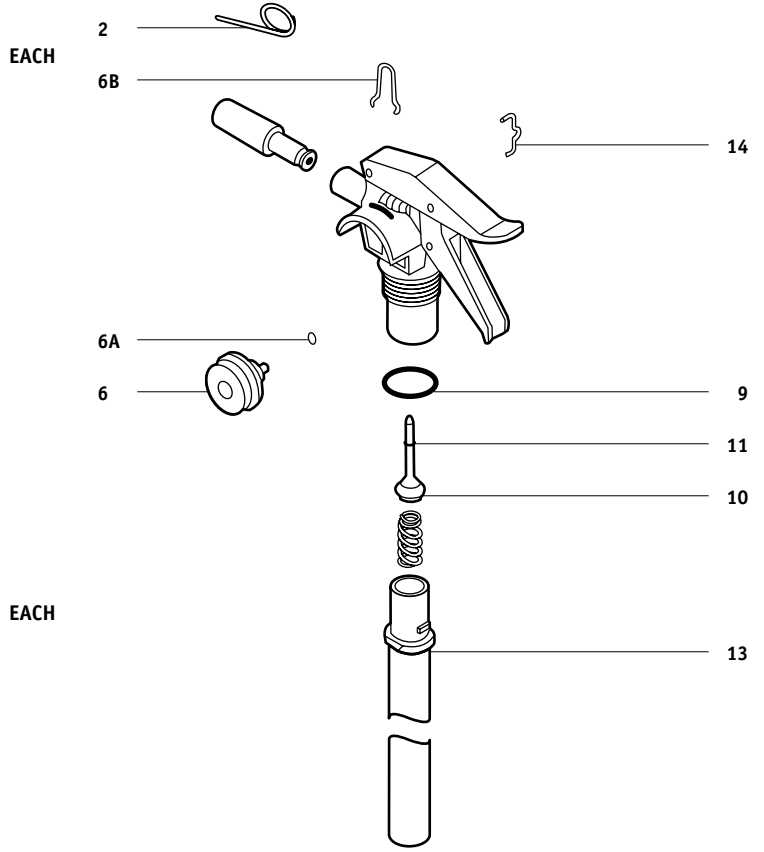
FIG. P/N SERVICE & MAINTENANCE PART DESCRIPTION
All, Except XL2.5TCZ-3, XL2.75RZ-3, XL9HZ,
9#HALON

2	259057K	Pull Pin
6	293266K	Gauge - 195 EXT2A40BC, EXT6#BC
6	293789K	Gauge - 100 Dry Chemical, Except EXT2A40BC, EXT6#BC
6A	259535K	Gauge O-Ring Dry Chemical
6A	260613K	Gauge O-Ring Halon
6B	259053K	Gauge Clip
9	340036K	Collar O-Ring All
10	440007K	Valve Stem Halon
10	877546K	Valve Stem Dry Chemical
11	259772K	Valve Stem O-Ring Dry Chemical
13	420042K	Siphon Tube Assembly EXT2A40BC, EXT6#BC
14	259770K*	Nozzle Clip

FIG. P/N ACCESSORY PART DESCRIPTION

21		Universal Hose Strap/Clip
N/S	293263K	Wall Hanger 5-6 lb
N/S	466400K	Vehicle Bracket 5-6 lb
N/S	466401K	Vehicle Bracket 2.5-2.75 lb
N/S	AD27	Recharge Adapter
N/S	HTA18	Hydrostatic Test Adapter

*WHILE QUANTITIES LAST!



11 KIDDE - FIRE EXTINGUISHER PARTS

DRY CHEMICAL

10RAS-3, -4, -5, -6, 10TAS-3, -4, -5, -6, 20RAS-3, -4, -5, -6, -7, 20TAS-3, -4, -5, -6, -7, 30RAS-3

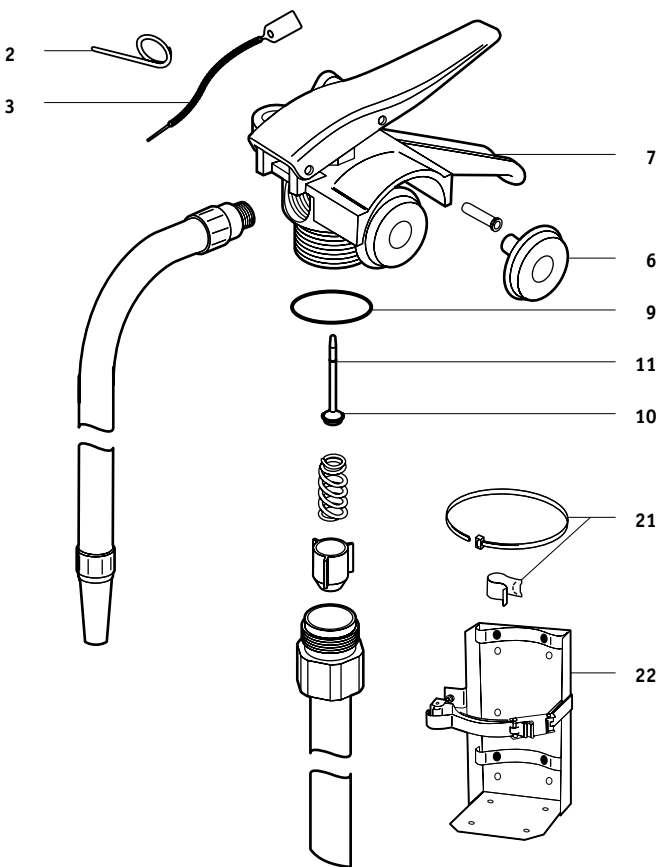


FIG.	P/N	SERVICE & MAINTENANCE PART DESCRIPTION	EACH
2		Pull Pin	
3		Tamper Seal	
6	G195	Gauge - 195	
		All 10 lb, 20RAS-7, 20TAS-7	
6	G235	Gauge - 235	
		All 20 lb, 30RAS-3, Except 20RAS-7, 20TAS-7	
9	340037K	Collar Seal	
		1985 & After	
9	64350218K	Collar O-Ring	
		1985 & Before	
10	877546K	Valve Stem Assembly	
11	259772K	Valve Stem O-Ring	

FIG.	P/N	ACCESSORY PART DESCRIPTION	EACH
21		Universal Hose Strap/Clip	
N/S	WH5	Wall Hanger	
		10 lb	
22	5HB	Heavy-Duty Vehicle Bracket	
		10 lb	
22	15HB	Heavy-Duty Vehicle Bracket	
		20-30 lb	
N/S	AD34	Recharge Adapter	
N/S	HTA5	Hydrostatic Test Adapter	

DRY CHEMICAL

10TAP, 10RAP, XL10TCZ, XL10TCZ-2, XL10RZ, XL10RZ-2, FA460HD

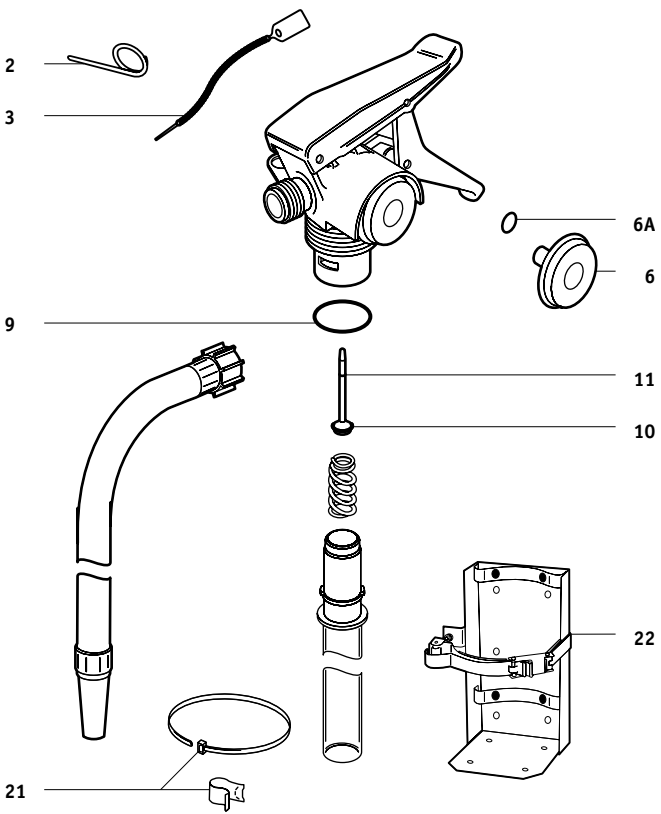


FIG.	P/N	SERVICE & MAINTENANCE PART DESCRIPTION	EACH
2		Pull Pin	
3		Tamper Seal	
6	293266K	Gauge - 195	
6A	259535K	Gauge O-Ring	
9	340037K	Collar Seal	
		Newer w/ Molded Seal	
10	877546K	Valve Stem	
11	259772K	Valve Stem O-Ring	

FIG.	P/N	ACCESSORY PART DESCRIPTION	EACH
21		Universal Hose Strap/Clip	
N/S	WH5	Wall Hanger	
22	5HB	Vehicle Bracket	
N/S	AD32	Recharge Adapter	
N/S	HTA39	Hydrostatic Test Adapter	

CARBON DIOXIDE

5CDM, 5KS-3, 10CDM, 10KS-3, 15CDM, 15KS-3, 15KS-4, 20CDM, 20KS-4

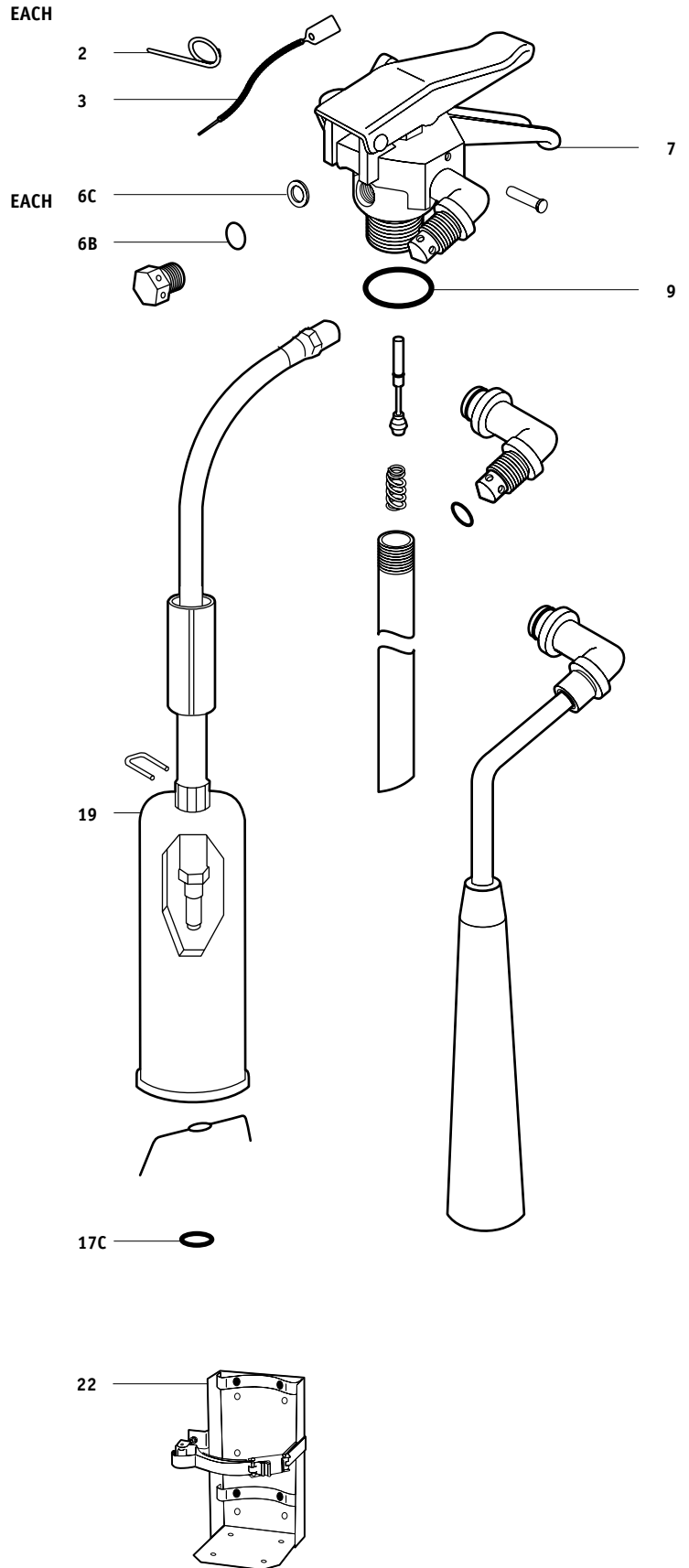
FIG. P/N SERVICE & MAINTENANCE PART DESCRIPTION

2		Pull Pin
3		Tamper Seal
6B	260299K	Safety Disc
6C	258443K	Safety Disc Gasket
7	293312K*	Handle
9	320130K	Collar O-Ring
17C	213885K	Push Nut

FIG. P/N ACCESSORY PART DESCRIPTION

N/S	RDS15	Strap 10, 15 lb
N/S	RDS20	Strap 20 lb
N/S	RDBACLIP	Horn Clip 10-20 lb
N/S	SET6	Hardware Set 10-20 lb
N/S	BL209	Replacement Nameplate (Non-UL) 5 lb
N/S	BL210	Replacement Nameplate (Non-UL) 10-20 lb
N/S	WH5	Wall Hanger 5 lb
N/S	WH15	Wall Hanger 10, 15 lb
N/S	WH20	Wall Hanger 20 lb
22	5HB	Heavy-Duty Vehicle Bracket 5 lb
22	15HB	Heavy-Duty Vehicle Bracket 10, 15 lb
22	20HB	Heavy-Duty Vehicle Bracket 20 lb

*WHILE QUANTITIES LAST!



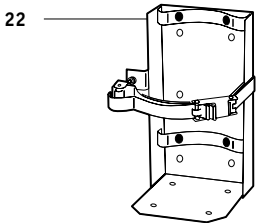
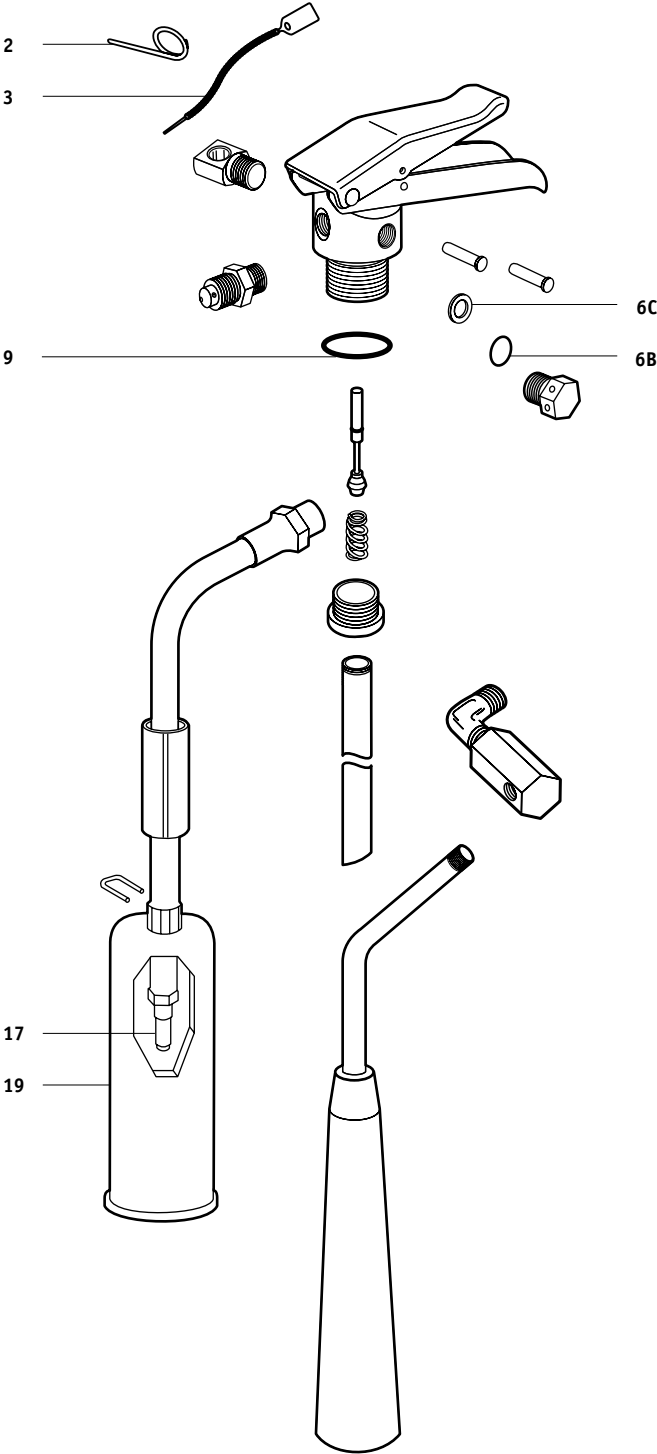
11 KIDDE - FIRE EXTINGUISHER PARTS

CARBON DIOXIDE

5CDM-1, 5CDM-2, 10CDM-1, 10CDM-2, 15CDM-1, 15CDM-2, 20CDM-1, 20CDM-2

FIG.	P/N	SERVICE & MAINTENANCE PART DESCRIPTION	EACH
2		Pull Pin	
3		Tamper Seal	
6B	260299K	Safety Disc	
6C	258443K	Safety Disc Gasket	
9	320130K	Collar O-Ring	

FIG.	P/N	ACCESSORY PART DESCRIPTION	EACH
N/S	RDS15	Strap Alt 10, 15 lb	
N/S	RDS20	Strap 20 lb	
N/S	RDBACLIP	Horn Clip 10-20 lb	
N/S	SET6	Hardware Set 10-20 lb	
N/S	BL209	Replacement Nameplate (Non-UL) 5 lb	
N/S	BL210	Replacement Nameplate (Non-UL) 10, 15, 20 lb	
N/S	WH5	Wall Hanger 5 lb	
N/S	WH15	Wall Hanger 10, 15 lb	
N/S	WH20	Wall Hanger 20 lb	
22	5HB	Heavy-Duty Vehicle Bracket 5 lb	
22	15HB	Heavy-Duty Vehicle Bracket 10, 15 lb	
22	20HB	Heavy-Duty Vehicle Bracket 20 lb	



Carbon Dioxide Pro CDM-3 Models with "Model B-9" Valves manufactured by Badger, see page 267.

DRY CHEMICAL

PA27ABC, PA27BC, PA25PK, PA50-2ABCH, PA57ABCH, PA50-2BC, PA50PKH, PA57PKH, PA100ABC, PA100BC, PA T-100ABC, PA T-100BC

HALON 1211

PA-H2.5, PA-H3, PA-H5.5, PA-H10, PA-H14

FIG.	P/N	SERVICE & MAINTENANCE PART DESCRIPTION
2		Pull Pin, Stainless Steel
3		Tamper Seal
6	G150	Gauge - 150
6	G175	Gauge - 175
6	G195	Gauge - 195
6	G195H	Gauge - 195 (Halon) Halon 1211
9	S3PA	Collar O-Ring (PA100-10)
10	S4PA*	Valve Stem Assembly (PA100-4)
13	S7PA	Siphon Tube (PA100-11-2-M) PA27ABC, PA27BC, PA25PK
14	S10FPA	Hose & Nozzle Assembly (PA100-14-4) PA T-100ABC

FIG.	P/N	ACCESSORY PART DESCRIPTION
21		Universal Hose Strap/Clip
N/S	WB1PA	Wall Hanger 10-14 lb
N/S	AD21	Recharge Adapter
N/S	HTA21	Hydrostatic Test Adapter

*WHILE QUANTITIES LAST!

DRY CHEMICAL

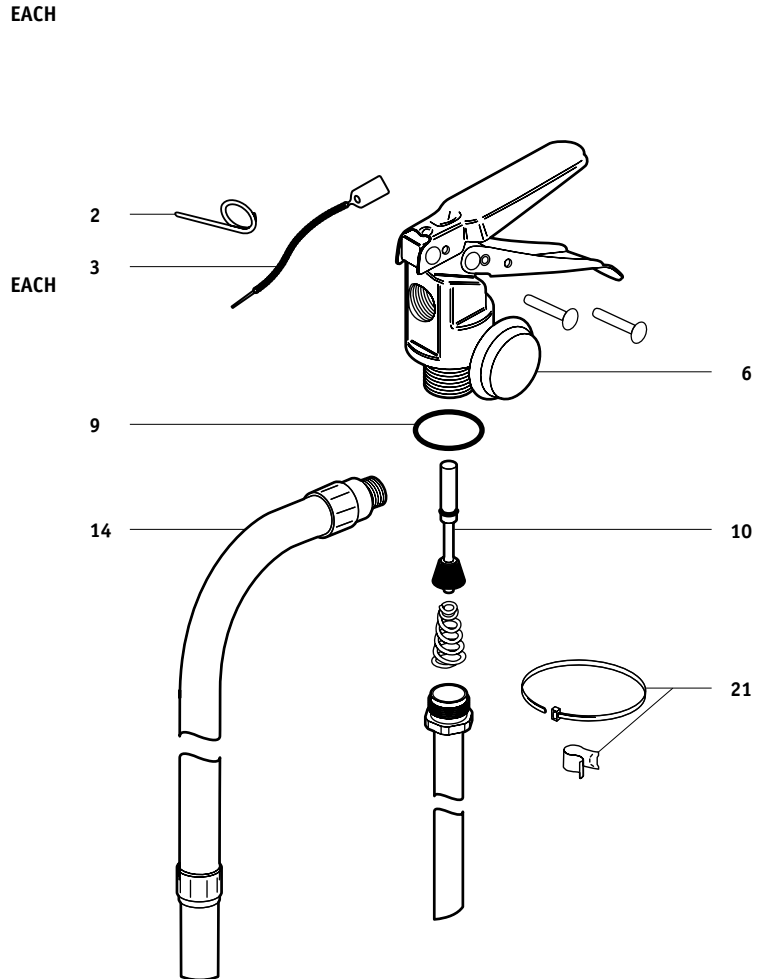
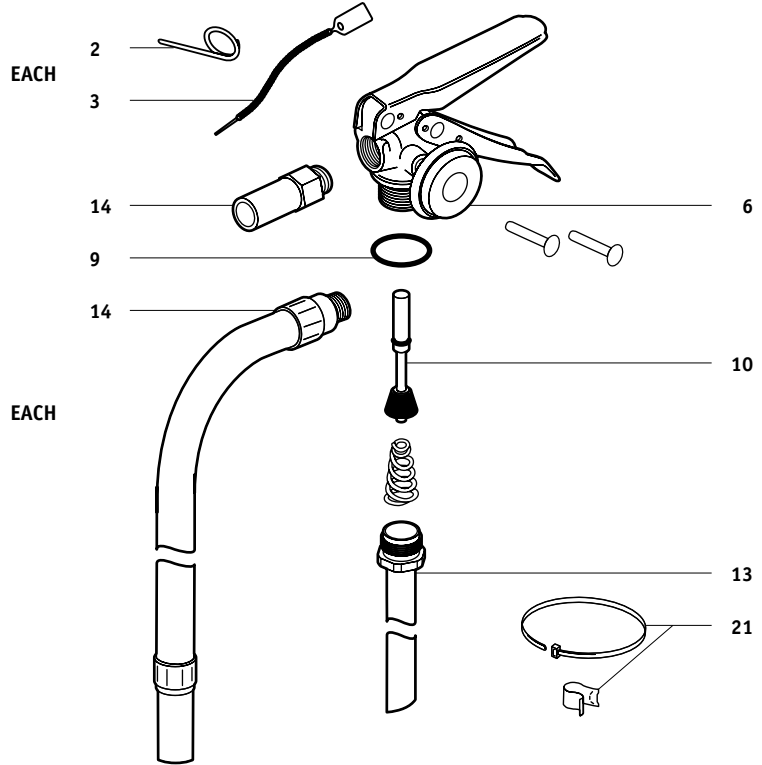
PA200ABC, PA200BC, PA200PK

HALON 1211

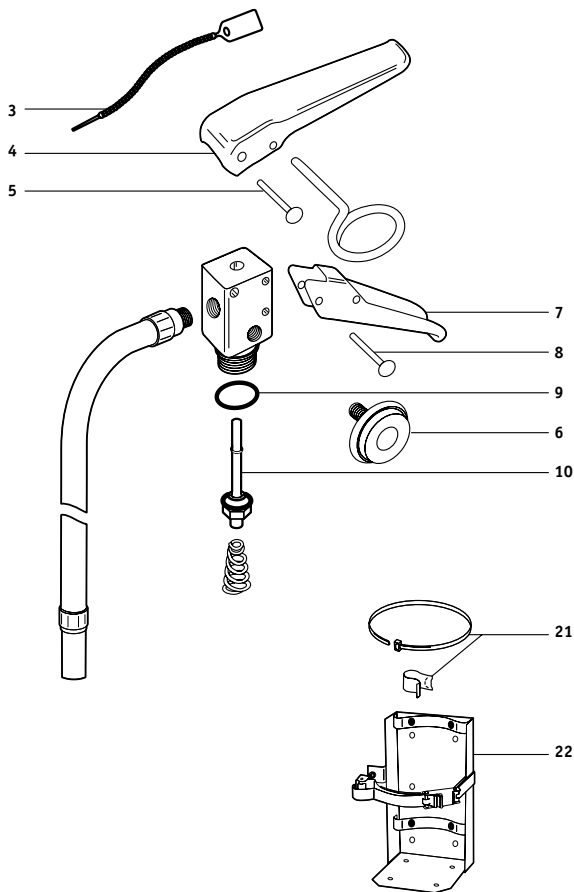
PA-H17, PA-H20

FIG.	P/N	SERVICE & MAINTENANCE PART DESCRIPTION
2		Pull Pin, Stainless Steel
3		Tamper Seal
6	G150	Gauge - 150
6	G195	Gauge - 195
6	G195H	Gauge - 195 (Halon) Halon 1211
9	L3PA	Collar O-Ring (PA100-10-1)
10	L4PA	Valve Stem Assembly (PA200-4)
14	L11PA	Hose & Nozzle Assembly (PA200-14-1) PA200ABC

FIG.	P/N	ACCESSORY PART DESCRIPTION
21		Universal Hose Strap/Clip
N/S	WB2PA	Wall Hanger
N/S	AD24	Recharge Adapter
N/S	HTA7	Hydrostatic Test Adapter



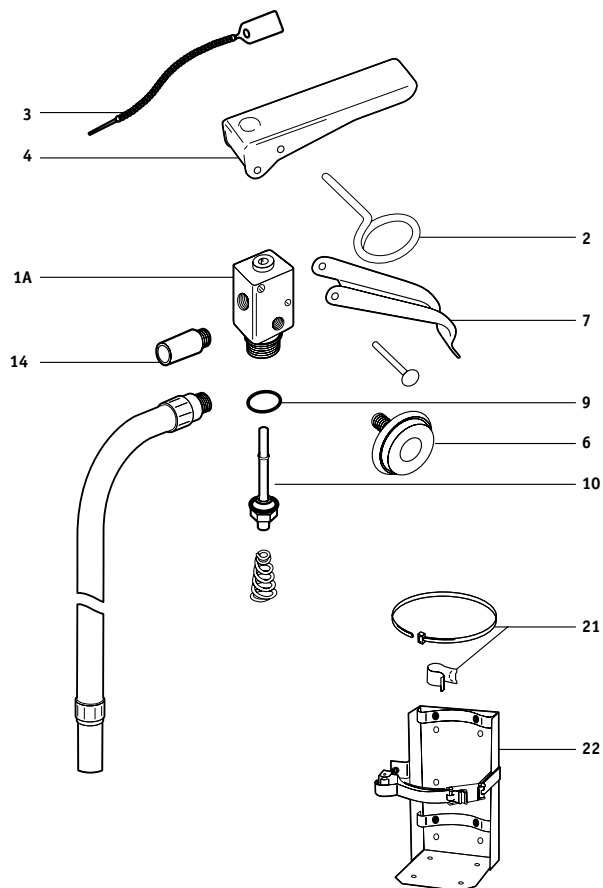
11 STRIKE FIRST - FIRE EXTINGUISHER PARTS



DRY CHEMICAL (Large Valve) SF-5, SF-5HP, SF-10, SF-20

FIG.	PART NO.	SERVICE & MAINTENANCE PART DESCRIPTION	EACH
3		Tamper Seal	
4	160414SF	Lever 5-20 lb	
5	162803SF	Lever Rivet	
6	G195	Gauge - 195 5 lb	
6	G235	Gauge - 235 10-20 lb	
7	160396SF	Handle 5-10 lb	
7	160395SF	Handle 20 lb	
8	162803SF	Handle Rivet	
9	161345SF	Collar O-Ring	
10	161428SF	Valve Stem	
14	161605SF	Hose & Nozzle Assembly SF - 5	

FIG.	PART NO.	ACCESSORY PART DESCRIPTION	EACH
21		Universal Hose Strap	
22	5DC	Heavy-Duty Vehicle Bracket 5 lb	
N/S	AD24	Recharge Adapter	
N/S	HTA7	Hydrostatic Test Adapter	



DRY CHEMICAL (Small Valve) SF-2.5, SF-5 and SF-5HP

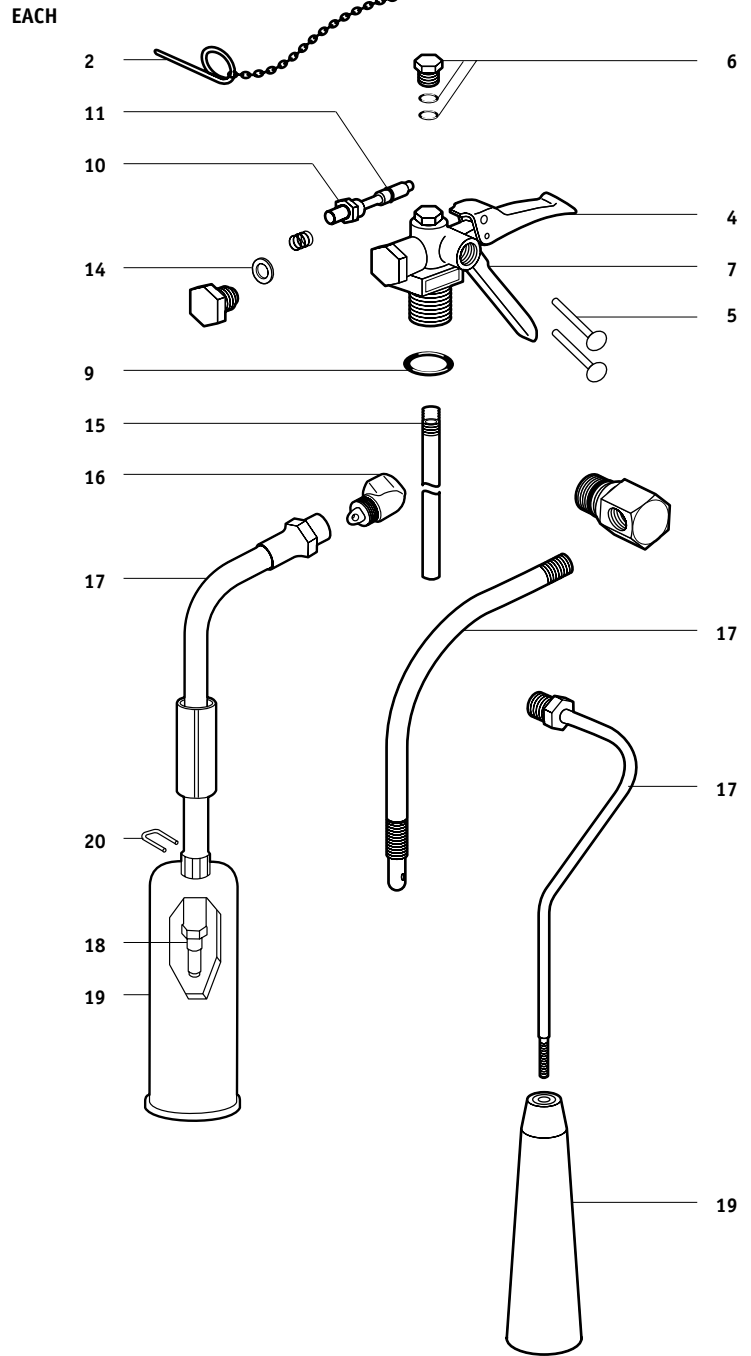
FIG.	PART NO.	SERVICE & MAINTENANCE PART DESCRIPTION	EACH
2		Pull Pin	
3		Tamper Seal	
4	110414SF	Lever 2.5 lb	
6	G150	Gauge - 150 2.5 lb	
6	G195	Gauge - 195 5 lb	
7	110396SF	Handle	
9	110345SF	Collar O-Ring	
10	110427SF	Valve Stem	

FIG.	PART NO.	ACCESSORY PART DESCRIPTION	EACH
21		Universal Hose Strap	
N/S	AD23	Recharge Adapter	
22	5DC	Heavy-Duty Vehicle Bracket 5 lb	

CARBON DIOXIDE FIRE EXTINGUISHER VALVES

5 - 20 lb Brooks (BECO), Fyr-Fyter, C-0-TWO, RS, Superior, BHV50, BHV100

FIG	P/N	DESCRIPTION	EACH
2	NPPS	Pull Pin, Stainless Steel BECO, RS, Superior	
4	RS0102	Lever (P5970-8S) BECO, RS, Superior	
4	4BHV	Lever BHV50, BHV100	
5	RV10	Lever Rivet BECO	
5	RS0103	Lever Roll Pin (P5970-6S) RS, Superior	
5	5BHV	Lever and Handle Rivet Set BHV50, & BHV100	
6	RS5	Safety Disc, Washer & Nut Assembly RS	
6	16ASV	Safety Disc (P1200-16AS) Superior Military-Style Extinguisher	
6	C16SV	Safety Disc (P5970-16S) Superior 5-20 lb	
6	C15SV	Washer (P6038A-15SB) Superior 5-20 lb	
6	50116F	Washer Fyr-Fyter, C-0-Two	
6	50115F	Safety Disc Fyr-Fyter, C-0-Two	
6	6BHV	Safety Disc, Washer & Nut Assembly BHV50, BHV100	
7	PSH4	Handle BECO	
7	RS0104	Handle (P6037-12SS) RS, Superior	
7	7BHV	Handle BHV50, BHV100	
8	RV81	Handle Rivet (P6037-4SPS), Pkg/50 BECO, RS, Superior	
9	OR295	Collar O-Ring RS PSH-A, PSH-5AL	
10	PSH6	Valve Stem BECO	
10	418682AS	Valve Stem (P5970-21SB, RS-0108) RS, Superior	
10	10BHV	Valve Stem BHV50, BHV100	
11	OR4	Valve Stem O-Ring BECO, RS, Superior	
12	12BHV	Spring BHV50, BHV100	
14	RS0110	Copper Seal, Lead Coated, Pkg/10 BECO, RS	
14	14BHV	Copper Seal BHV50, BHV100	
15	EL250	Siphon Tube 1/4" Elbow & Diffuser All 10-20 lb	
16	EL375	3/8" Elbow & Diffuser All 10-20 lb	
N/S	DCT	Discharge Tube BECO, Fyr-Fyter, C-0-Two 2 1/2-5 lb	
17	SW50	Swivel Discharge Assembly RS, Superior, BHV50 2 1/2-5 lb	
17		Hose Assembly All 10-20 lb	
18	RDN	Diffuser All 10-20 lb	
19	STB114	Horn 5 lb w/ Diffuser in Discharge Tube	
19	RDH10	Horn w/ Handle 10 lb	
19	RDH15	Horn w/ Handle 15-20 lb	
20	RDC	Diffuser Clip 10-20 lb	



11 SHERWOOD - FIRE EXTINGUISHER PARTS

SHERWOOD CARBON DIOXIDE & NITROGEN COMMERCIAL VALVES

GV Series "Global" Industrial Valves

"GLOBAL" SERIES

FIG.	P/N	SERVICE & MAINTENANCE PART DESCRIPTION	EACH
1	A1919GV	Hand Wheel, Aluminum	
1	L1919GV	Hand Wheel, Plastic	
6	30101GV	Bonnet & Operating Stem Assembly	
10	N928GV	Safety Plug, Disc & Gasket Carbon Dioxide (For DOT 1800 Cylinders)	
10	N932GV	Safety Plug, Disc & Gasket Nitrogen (For DOT 2015 Cylinders)	
N/S	OR39	Collar O-Ring GV Valves w/ Straight Threads for Aluminum Cylinders	

SHERWOOD CARBON DIOXIDE & NITROGEN COMMERCIAL VALVES

TV Series Industrial Valves

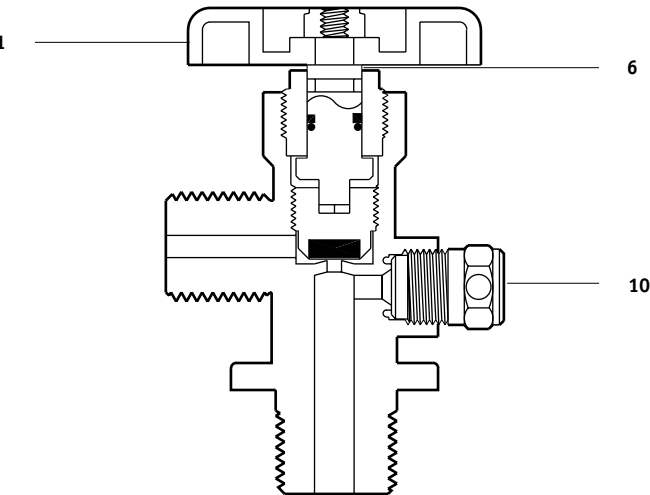


FIG.	P/N	SERVICE & MAINTENANCE PART DESCRIPTION	EACH
1	1401TV	Hand Wheel, Metal	
1	L1401TV	Hand Wheel, Plastic	
2	1003TV	Hand Wheel Nut, Pkg/10	
5	1012TV	Hand Wheel Spring	
6	5030TV	Operating Stem	
7	5006TV	Packing	
8	5040TV	Lower Stem & Seat Insert Assembly	
9	1413TV	Hand Wheel Gasket (Fibre)	
10	928TV	Safety Cap, Disc & Gasket Carbon Dioxide (For DOT 1800 Cylinders)	
10	932TV	Safety Cap, Disc & Gasket Nitrogen (For DOT 2015 Cylinders)	
N/S	OR39	Collar O-Ring TV Valves w/ Straight Threads for Aluminum Cylinders	

TV SERIES

SHERWOOD CARBON DIOXIDE & NITROGEN COMMERCIAL VALVES

All Sherwood Carbon Dioxide & Nitrogen Commercial Valves

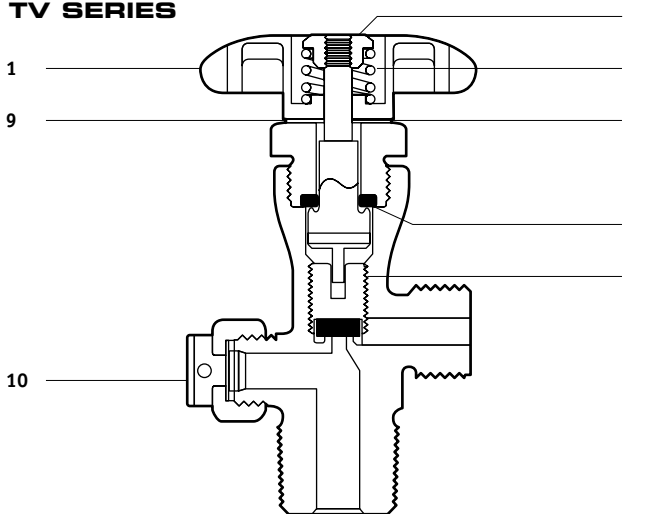


FIG.	P/N	SERVICE & MAINTENANCE PART DESCRIPTION	EACH
N/S	PC1	Plastic Thread Protector Fits CGA-320 Outlet on Carbon Dioxide Valves	
6	N/S	NITA Adapter (Valve to Regulator) CGA-580 for Nitrogen Valves	
N/S	C017	Nut (Valve to Regulator) CGA-320 for Carbon Dioxide Valves	
7	N/S	C013 Nipple (Valve to Regulator) CGA-320 for Carbon Dioxide Valves	
8	N/S	COMB Adapter for Siphon Tube Will Not Work w/ 1/2" Valves or 50ST Siphon Tubes	
N/S	15ST	Siphon Tube (21 1/8") Must Be Cut to Correct Length	

Assembly Torques
Packing Nut 70-80 ft-lb
Safety Assembly 30-40 ft-lb

CV50
0.840"

NV75
CV75
1.050"

FOR
STEEL
CYLINDERS
NV100
CV100
1.315"
NGT TAPERED
THREADS

FOR
ALUMINUM
CYLINDERS
CV100A
1.125"
UNF STRAIGHT
THREADS

SUPERIOR CARBON DIOXIDE & NITROGEN COMMERCIAL VALVES

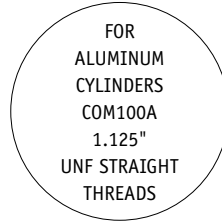
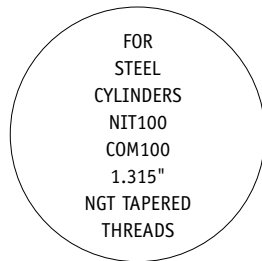
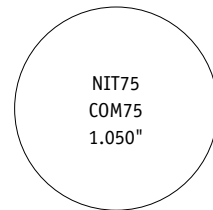
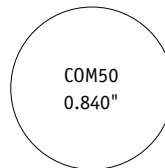
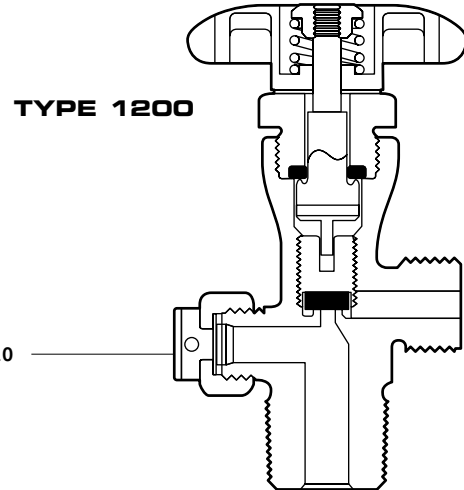
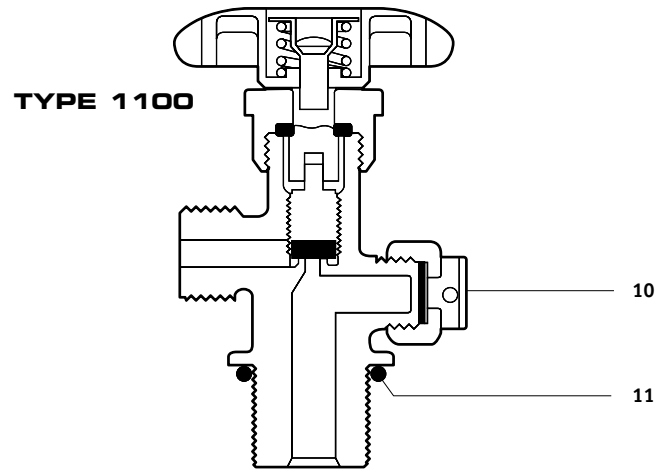
Type 1100 (COM50, COM75, COM100, COM100A, NIT75, NIT100)
 Type 1200 (Older Style)

FIG.	P/N	SERVICE & MAINTENANCE PART DESCRIPTION
10	16ASV	Safety Disc Only Carbon Dioxide (For DOT 1800 Cylinders)
10	15SV	Safety Gasket
11	OR39	Collar O-Ring Type 1100 w/ Straight Threads for Aluminum Cylinders

FIG.	P/N	ACCESSORY PART DESCRIPTION
N/S	PC1	Plastic Thread Protector Fits CGA-320 Outlet on Carbon Dioxide Valves
N/S	NITA	Adapter (Valve to Regulator) CGA-580 for Nitrogen Valves
N/S	C017	Nut (Valve to Regulator) CGA-320 for Carbon Dioxide Valves
N/S	C013	Nipple (Valve to Regulator) CGA-320 for Carbon Dioxide Valves
N/S	COMB	Adapter for Siphon Tube Will Not Work w/ 1/2" Valves or 50ST Siphon Tubes
N/S	15ST	Siphon Tube (21 1/8") Must Be Cut to Correct Length

Assembly Torques Packing Nut 50 ft-lb
 Safety Assembly 35-40 ft-lb

EACH



11 FIRE EXTINGUISHER PARTS

BUCKEYE - DRY CHEMICAL

1¹/₈" Valves 1975 to 1984 & 1¹/₄" Valves Prior to 1975

P/N	DESCRIPTION	EACH
WVS13	Valve Stem Dry Chemical 1 ¹ / ₈ " Valve (After Oct. 1975)	
WVS15	Valve Stem Dry Chemical 1 ¹ / ₄ " Valve (Prior to Oct. 1975)	
700207W	Wall Hanger	
AD23	Recharge Adapter	
HTA7	Hydrostatic Test Adapter	

FYR-FYTER, BUFFALO, PYRENE, C-O-TWO -DRY CHEMICAL & WATER

P/N	DESCRIPTION	EACH
G40	Collar Gasket Dry Chemical, Water	
OR24	Collar Gasket Water	
OR28	Collar Gasket 5-20 lbs	
OR34	Collar Gasket 20-30 lb Heavy Duty	
FVS19*	Valve Stem 2M, 6M, 10M, 10H	
FVS21	Valve Stem D/C & Newer Models 20S, 20M, 20H	
OR30	Siphon Tube O-ring Heavy Duty	
AV1	Air Valve Assembly 2 ¹ / ₂ Gal Water	
109942F*	Wall Hanger 5-6 lb Dry Chemical	
AD29	Recharge Adapter	

GENERAL - WATER/ LOADED STREAM

WS-900, LS-900

P/N	DESCRIPTION	EACH
G100WS	Gauge - 100	
AV1	Air Valve Assembly	
HTA10	Hydrostatic Test Adapter	

KIDDE - DRY CHEMICAL

10RAS-1, -2, 10TAS-1, -2, 10KAS-1, 20RAS-1, -2, 20KAS-1, 30RAS-1, -2

P/N	DESCRIPTION	EACH
OR30	Collar O-Ring	
KVS47*	Valve Stem Assembly (844210 Obsolete)	
AD34	Recharge Adapter	
HTA5	Hydrostatic Test Adapter	

KIDDE - DRY CHEMICAL

10-30 lb Brass Valve

P/N	DESCRIPTION	EACH
OR315	Collar O-Ring	
KVS46*	Valve Stem Assembly	
AD25	Recharge Adapter	

KIDDE - CARBON DIOXIDE

5-20 lb Brass Valve

P/N	DESCRIPTION	EACH
KDP	Double Point Pin	
260299K	Safety Disc	
202208K	Wall Hanger 5 lb	

*WHILE QUANTITIES LAST!

KIDDE - WATER

WPPN

P/N	DESCRIPTION	EACH
OR4	Seat O-Ring	
OR5	Gauge O-Ring	
OR33	Collar O-Ring	
OR8	Hose O-Ring	
HTA14	Hydrostatic Test Adapter	

POWER-PACK-DRY CHEMICAL

P/N	DESCRIPTION	EACH
RV33	Lever & Handle Rivet	
OR37	Collar O-Ring	
5502P	Wall Hanger 5 lb	
1010P	Wall Hanger 10 lb	
AD24	Recharge Adapter	
HTA7	Hydrostatic Test Adapter	

PYRONAUTS-DRY CHEMICAL

P/N	DESCRIPTION	EACH
RV59	Lever & Handle Rivet	
OR20	Collar O-Ring	
PNVS51*	Valve Stem	
AD23	Recharge Adapter	
HTA7	Hydrostatic Test Adapter	

STOP-FIRE-DRY CHEMICAL

P/N	DESCRIPTION	EACH
OR21	Collar O-Ring HV1	
OR27	Collar O-Ring HV6	
OR295	Collar O-Ring HV2, HV3	
OR333	Cylinder O-Ring HV2, HV3	

STRIKE FIRST - DRY CHEMICAL

P/N	DESCRIPTION	EACH
SFPP	Pull Pin	
RV80	Lever & Handle Rivet	
160396SF*	Handle (metal) Newer models	
OR20	Collar O-Ring (161345 Obsolete)	
SFVS61*	Valve Stem Pre-1988	
AD24	Recharge Adapter	
HTA7	Hydrostatic Test Adapter	

*WHILE QUANTITIES LAST!