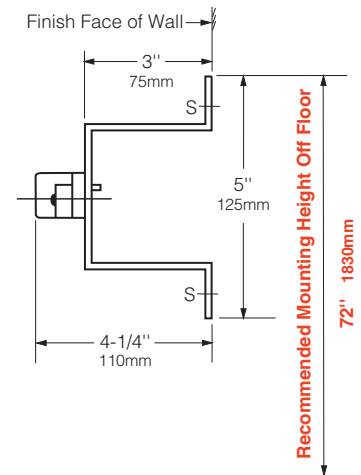
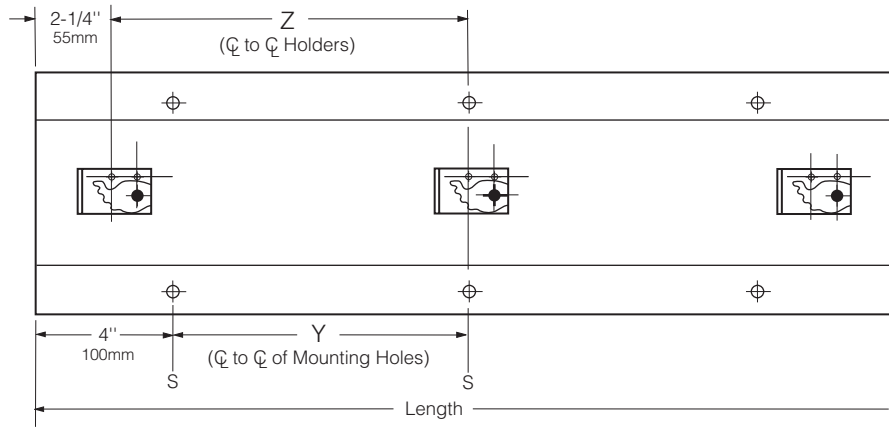




Technical Data

STAINLESS STEEL MOP AND BROOM HOLDER

B-223



STANDARD STOCK SIZES

Model No.	Length	No. of Holders	Dim. Y	No. of Mtg. Holes	Dim. Z
B-223 x 24	24" (610mm)	3	8" (205mm)	6	9-3/4" (250mm)
B-223 x 36	36" (915mm)	4	14" (355mm)	6	10-1/2" (265mm)

MATERIALS:

Mounting Base — 18-8 S, type-304, 22-gauge (0.8mm) stainless steel with satin finish.

Mop and Broom Holders — Spring-loaded rubber cam holders with anti-slip coating. Powder coated steel retainers.

OPERATION:

Surface-mounted holder is designed to keep mops and brooms away from wall. Spring-loaded rubber cam holders accommodate handles from 7/8" to 1-1/4" (20 to 30mm) diameter.

INSTALLATION:

Secure unit to wall with six sheet-metal screws, furnished by manufacturer, at points indicated by an S. For plaster or dry wall construction, provide concealed backing to comply with local building codes, then secure unit with stainless steel mounting screws. For other wall surfaces, provide fiber plugs or expansion shields for use with stainless steel mounting screws, or provide 1/8" (3mm) toggle bolts or expansion bolts.

SPECIFICATION:

Mop and broom holder shall be type-304 stainless steel with satin finish. Unit shall be _____ (insert length) long with _____ (insert number) spring-loaded rubber cam holders.

Stainless Steel Mop and Broom Holder shall be Model _____ (insert model number) of Bobrick Washroom Equipment, Inc., Clifton Park, New York; Jackson, Tennessee; Los Angeles, California; Bobrick Washroom Equipment Company, Scarborough, Ontario; Bobrick Washroom Equipment Pty. Ltd., Australia; and Bobrick Washroom Equipment Limited, United Kingdom.