

**/ TECHNICAL DATA** **INSTALLATION**



**BLACK MOUNTAIN**  
**DOOR™**

[www.blackmountaindoor.com](http://www.blackmountaindoor.com)

---

310 Flint Drive  
Mt. Sterling, KY 40353

**FAX:** (859)762-0852  
**TOLL FREE:** (855)370-4580

# INDEX – INSTALLATION

rev. 05-04-12

<u>Description</u>	<u>Number</u>
400 Series Installation – Existing Openings.....	IN-400-EO
400 Series Installation – New Masonry Wall.....	IN-400-NMW
400 Series Installation – Wood Stud Walls.....	IN-400-WSW
2600 Series Drywall Frame Installation.....	IN-2600
Anchor Installation for 400/FR Series Frames.....	IN-ANCHOR
2600 Series KD Window (Borrowed Light Installation).....	IN-BL2600
800 Series Adjustable Frame Install.....	IN-800
Tilt’N Place Frame Installation Instructions.....	IN-TILTn



**EXISTING OPENING TYPE FRAME INSTALLATION INSTRUCTIONS**

**1**

NOMINAL DOOR WIDTH + 4 1/4" to 4 7/16"

NOMINAL DOOR HEIGHT + 2 1/8" TO 2 1/4"

**FOLLOW FRAME ASSEMBLY INSTRUCTIONS PRIOR TO INSTALLATION IN EXISTING OPENING**

CONFIRM ROUGH OPENING SIZE. IDEAL ROUGH OPENING IS NOMINAL DOOR WIDTH + 4 1/4" & NOMINAL DOOR HEIGHT + 2 1/8". THIS APPLIES TO 2" FACE ONLY. ADJUST FOR DIFFERENT SIZED FRAME FACES.

ORDER SIZE FORMULA: R.O.W.-4.25" = N.D.W.    R.O.H.-2.125" = N.D.H.

NOTE: THESE DIMENSIONS & INSTALLATION INSTRUCTIONS ALSO APPLY TO 4400 SERIES DOUBLE EGRESS FRAMES.

**2**

JAMB HEIGHT	ANCHOR QTY.
UP TO & INCLUDING 5'4"	3
OVER 5'4" TO 7'6"	4
OVER 7'6" TO 9'8"	5
9'8" TO 11'10"	6

SNAP IN ANCHOR EXAMPLE

WELDED IN ANCHOR EXAMPLES

**ANCHORING THE JAMBS.**  
 UNLESS PREPARED & WELDED IN PLACE, DRILL 3/4" DIA. HOLES, CENTER IN THE SOFFIT. AS PER CHART ABOVE, AT A MAXIMUM OF 6" FROM BOTH ENDS & NO MORE THAN 26" EQUALLY SPACED ON BOTH JAMBS. SNAP IN ANCHORS, ROTATE INTO PLACE. USE A HAMMER TO TAP IN IF NECESSARY. ALIGN HOLE IN THE ANCHOR WITH PIERCED/ DRILLED HOLES IN SOFFIT.

**3**

**POSITION FRAME IN OPENING.**  
 SQUARE FRAME AS NEEDED, MARK ANCHOR LOCATIONS ON THE WALL THROUGH ANCHOR HOLES IN THE JAMB SOFFIT.

**4**

**REMOVE FRAME FROM ROUGH OPENING AND DRILL**  
 MARKED HOLES IN WALL. IF DRILL BIT IS LONG ENOUGH, THE FRAME CAN REMAIN IN PLACE FOR THIS PROCESS. BUT CARE MUST BE TAKEN NOT TO MARK THE SOFFIT.

**5**

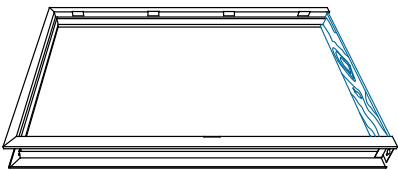
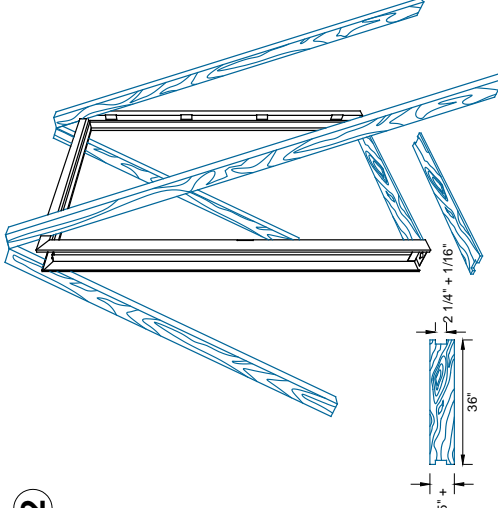
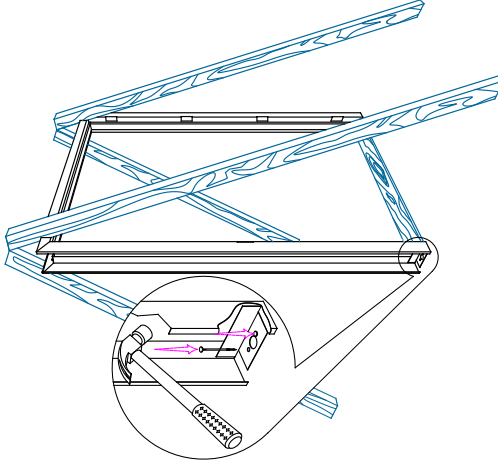
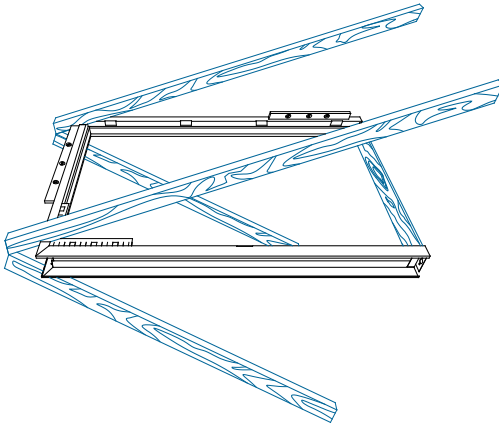
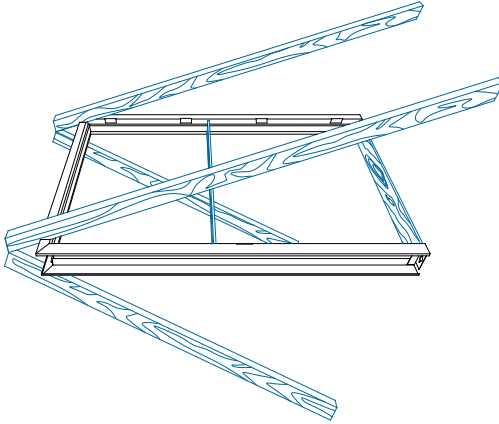
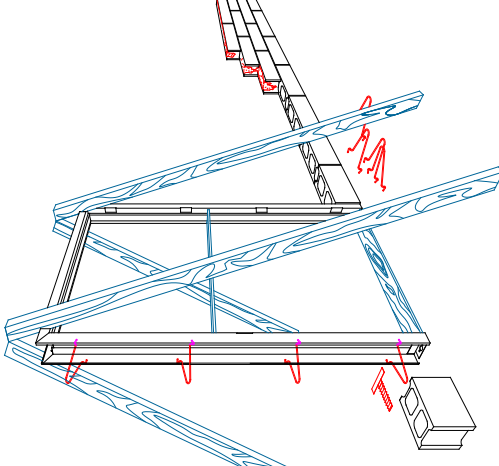
**CHECK PLUMB AND SQUARENESS OF ROUGH OPENING.**  
 IF OPENING IS OUT OF SQUARE, SHIMMING MAY BE REQUIRED. INSERT EXPANSION ANCHORS IN THE WALL IF NOT USING ANMWELED 3/8" EXPANSION BOLTS. REPLACE FRAME IN OPENING.

**6**

**INSTALL 3/8" EXPANSION BOLTS.**  
 IN ALTERNATING SEQUENCE IF USING C.O. TYPE ANCHORS, OR BOLT PORTION OF EXPANSION ANCHOR. CHECKING SQUARENESS ALONG THE HEIGHT OF BOTH JAMBS. SNAP IN HOLE PLUGS WITH ANMWELED C.O. LEAVE 3/8" BOLT HEAD EXPOSED FOR P&D TYPE OR PUDDY AND FINISH FOR A SEAMLESS LOOK.



**400 SERIES NEW MASONRY TYPE FRAME INSTALLATION INSTRUCTIONS**

<p><b>1</b></p>  <p><b>FOLLOW FRAME ASSEMBLY INSTRUCTIONS PRIOR TO INSTALLATION IN NEW MASONRY CONSTRUCTION.</b>          PLACE FRAME WHERE INSTALLATION WILL OCCUR. INSERT A WOOD SPREADER AT THE BASE OF THE FRAME. IF A THRESHOLD IS USED, THIS IS NOT REQUIRED.          NOTE: THIS INSTALLATION APPLIES TO 400 SERIES DOUBLE EGRESS FRAMES ALSO.</p>	<p><b>2</b></p>  <p><b>BRACE FRAME AS SHOWN WITH 2x4'S OR TO THE CEILING. DO NOT BRACE IN THE SAME DIRECTION THE WALL WILL BE CONSTRUCTED.</b>          IT IS RECOMMENDED THAT THE CONTRACTOR MAKE 2 WOOD SPREADERS TO BE USED FOR MAINTAINING THE DOOR OPENING DIMENSION AND PLACED AT THE BOTTOM AND MID POINT OF THE FRAME. USING LUMBER AT LEAST 1" THICK, WITHIN 3/4" OF FRAME DEPTH, NOTCHED AT BOTH ENDS TO ACCEPT THE SOFFIT AND CUT TO EXACT OPENING WIDTH. EXAMPLE: A 3'-0" WIDE OPENING WOULD NEED A SPREADER AS SHOWN ABOVE.</p>	<p><b>3</b></p>  <p><b>PLUMB, LEVEL AND SHIM THE JAMB BOTTOMS AS REQUIRED.</b>          POSITIVELY PLACE FRAME AND ATTACH JAMBS TO FLOOR AS SHOWN WITH EITHER HAMMER AND CONCRETE NAIL OR DRILL AND CONCRETE BOLT. DEPENDING ON FLOOR CONDITION, OTHER ANCHORING METHODS MAY BE REQUIRED.</p>
<p><b>4</b></p>  <p><b>LEVEL HEADER, PLUMB JAMBS AND SQUARE CORNERS.</b>          INSTALL RUBBER MITES.</p>	<p><b>5</b></p>  <p><b>PLACE SPREADER AT MIDPOINT OF JAMBS.</b>          DETERMINE WALL ANCHORING REQUIREMENTS. THE CORRECT ANCHORING REQUIREMENT IS 3 ANCHORS PER JAMB UP TO 7'-6", 4 PER JAMB UP TO 10'-0" AND 5 OR MORE ABOVE THAT. TRY TO ANCHOR IMMEDIATELY ABOVE OR BELOW EACH HINGE REINFORCEMENT, ACCORDING TO THE NEXT INSTALLATION STEP.</p>	<p><b>6</b></p>  <p><b>ADJUST WIRE ANCHORS TO FIT FRAME THROAT AND INSTALL AT EQUAL INTERVALS AS THE WALL IS ERRECTED.</b>          CONTINUALLY CHECK PLUMB AND SQUARENESS AS THE WALL PROGRESSES. WHEN USING MASONRY 'T' SHAPED ANCHORS, USE THIS INSTALLATION ALSO.</p>

**400 SERIES WOOD STUD TYPE FRAME INSTALLATION INSTRUCTIONS**

JAMB HEIGHT	ANCHOR QTY.
UP TO & INCLUDING 5'0"	2
OVER 5'0" TO 7'6"	3
OVER 7'6" TO 10'0"	4
OVER 10'0" TO 11'10"	5

**1**

**PREPARE ROUGH OPENING.**  
 TO DETERMINE THE ROUGH OPENING SIZE, ADD 4 3/8" TO THE NOMINAL DOOR WIDTH & 2 1/8" TO THE NOMINAL DOOR HEIGHT. THIS APPLIES TO 2" FACE ONLY.  
 FORMULA: N.D.W. + 4.375" = R.O.W. N.D.H. + 2.125" = R.O.H.  
 NOTE: THIS INSTALLATION APPLIES TO 4400 SERIES DOUBLE EGRESS FRAMES ALSO.

**2**

**ASSEMBLE THE FRAME.**  
 REFER TO THE 400 SERIES FRAME ASSEMBLY INSTRUCTIONS. INSTALL ANCHORS PER CHART ABOVE AT HINGE LEVELS AND DIRECTLY OPPOSITE ON STRIKE JAMB. ROTATE ANCHORS INTO PLACE, USING A HAMMER TO TAP IN IF NECESSARY. WELDED ANCHORS ARE AVAILABLE ALSO.

**3**

**PLACE FRAME IN ROUGH STUD OPENING.**  
 BEND ANCHOR TABS AROUND STUD LEAVING DESIRED CLEARANCE BETWEEN FRAME RETURN AND STUD FOR INSERTING FINISHED WALL MATERIAL. SET SPREADER AND LEVEL FRAME. SHIM JAMBS IF REQUIRED.

**4**

**SQUARE FRAME.**  
 SELECT TOP ANCHOR TO NAIL TO STUD ON ONE JAMB ONLY.

**5**

**NAIL ANCHOR TO STUD.**  
 NAILS OR SCREWS CAN BE USED. CHECK PLUMB AND SQUARE AND CONTINUE TO NAIL THE BALANCE OF ANCHORS TO THE STUD ON THE FIRST JAMB.

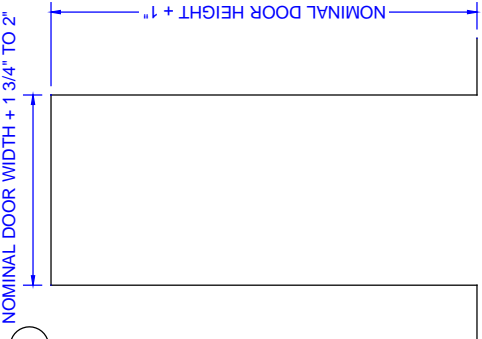
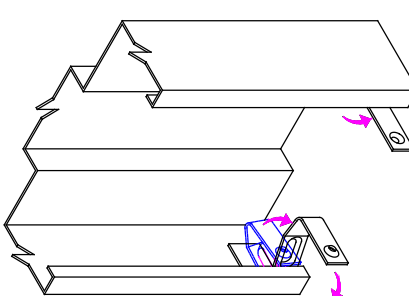
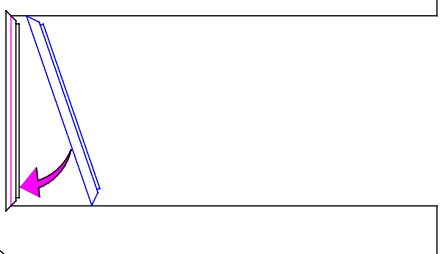
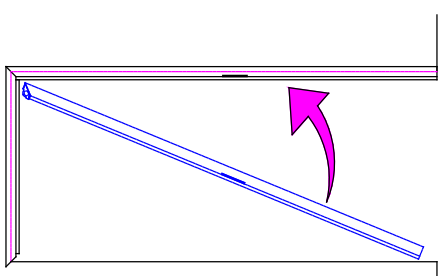
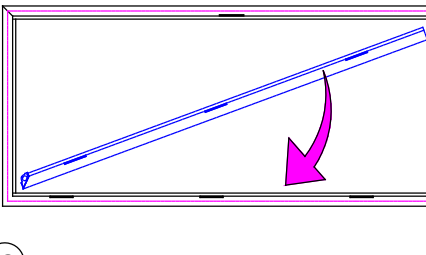
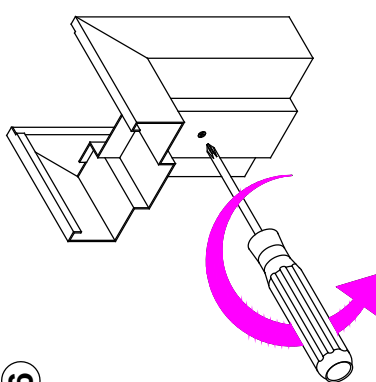
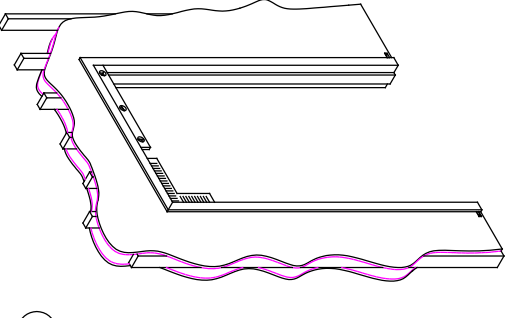
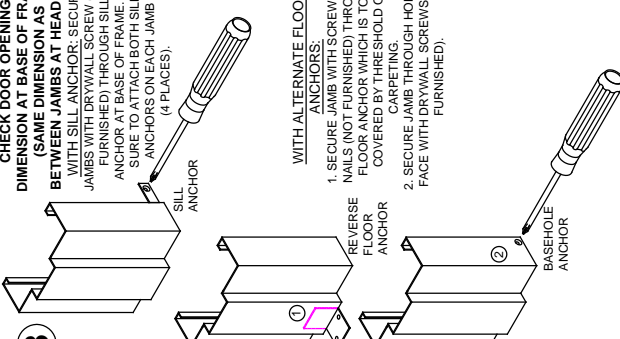
**6**

**CHECK PLUMB AND SQUARENESS.**  
 REPEAT STEP 5 FOR FINAL FRAME ANCHORING. FINISH MATERIAL CAN NOW BE APPLIED TO THE WALLS.

**ALTERNATE ANCHOR DETAIL WELDED IN ONLY.**



**2600 SERIES DRYWALL TYPE FRAME INSTALLATION INSTRUCTIONS**

<p><b>1</b></p>  <p><b>PREPARE ROUGH OPENING.</b>          TO DETERMINE THE ROUGH OPENING SIZE, ADD 1 3/4" TO 2" TO THE NOMINAL DOOR WIDTH &amp; 1" TO THE NOMINAL DOOR HEIGHT. FORMULA: (D.O.W. + 1 3/4" OR 2") x (D.O.H. + 1").          NOTE: LABELLED OPENINGS REQUIRE A MINIMUM OF 1/2" OF DRYWALL ENGAGEMENT INTO FRAME THROAT.</p>	<p><b>2</b></p>  <p><b>BEND SILL ANCHORS OUT OF FRAME AS SHOWN.</b>          THE SILL ANCHORS NEED TO BE BENT OUTWARD TO REST OUTSIDE THE STUD.</p>	<p><b>3</b></p>  <p><b>INSTALL HEADER INTO POSITION APPROX. 1" FROM TOP AND IN THE CENTER OF THE ROUGH OPENING.</b>          ROTATE HEADER OVER DRYWALL AS SHOWN.</p>	<p><b>4</b></p>  <p><b>INSTALL STRIKE JAMB BY SLIDING OVER WALL AT TOP AND ENGAGING CORNER REINFORCING INTO THE HEADER. PIVOT INTO PLACE. REPEAT WITH HINGE JAMB.</b></p>
<p><b>5</b></p>  <p><b>REPEAT STEP # 4 WITH THE HINGE JAMB.</b></p>	<p><b>6</b></p>  <p><b>TURN ADJUSTING SCREWS IN BOTH JAMBS COUNTERCLOCKWISE UNTIL ANCHOR IS RESTING AGAINST THE STUD. TIGHTEN MANUALLY.</b>          NOTE: DO NOT ATTEMPT TO TIGHTEN JUST ONE JAMB ANCHOR. BOTH ADJUSTING ANCHORS SHOULD BE TURNED EQUAL AMOUNTS ALTERNATELY.</p>	<p><b>7</b></p>  <p><b>IF FEASIBLE, HANG DOOR NOW AND ADJUST FRAME ON WALL TO ALLOW PROPER DOOR/FRAME CLEARANCES OR PLUMB FRAME WITH CARPENTERS SQUARE AND/OR LEVEL.</b>          NOTE: DO NOT ATTEMPT TO TIGHTEN JUST ONE JAMB ANCHOR. BOTH ADJUSTING ANCHORS SHOULD BE TURNED EQUAL AMOUNTS ALTERNATELY.</p>	<p><b>8</b></p>  <p><b>CHECK DOOR OPENING DIMENSION AT BASE OF FRAME (SAME DIMENSION AS BETWEEN JAMBS AT HEADER).</b>  <b>WITH SILL ANCHOR:</b> SECURE JAMBS WITH DRYWALL SCREW (NOT FURNISHED) THROUGH SILL ANCHOR AT BASE OF FRAME. BE SURE TO ATTACH BOTH SILL ANCHORS ON EACH JAMB (4 PLACES).</p> <p><b>WITH ALTERNATE FLOOR ANCHORS:</b>          1. SECURE JAMB WITH SCREWS OR NAILS (NOT FURNISHED) THROUGH FLOOR ANCHOR WHICH IS TO BE COVERED BY THRESHOLD OR CARPETING.          2. SECURE JAMB THROUGH HOLES IN FACE WITH DRYWALL SCREWS (NOT FURNISHED).</p>



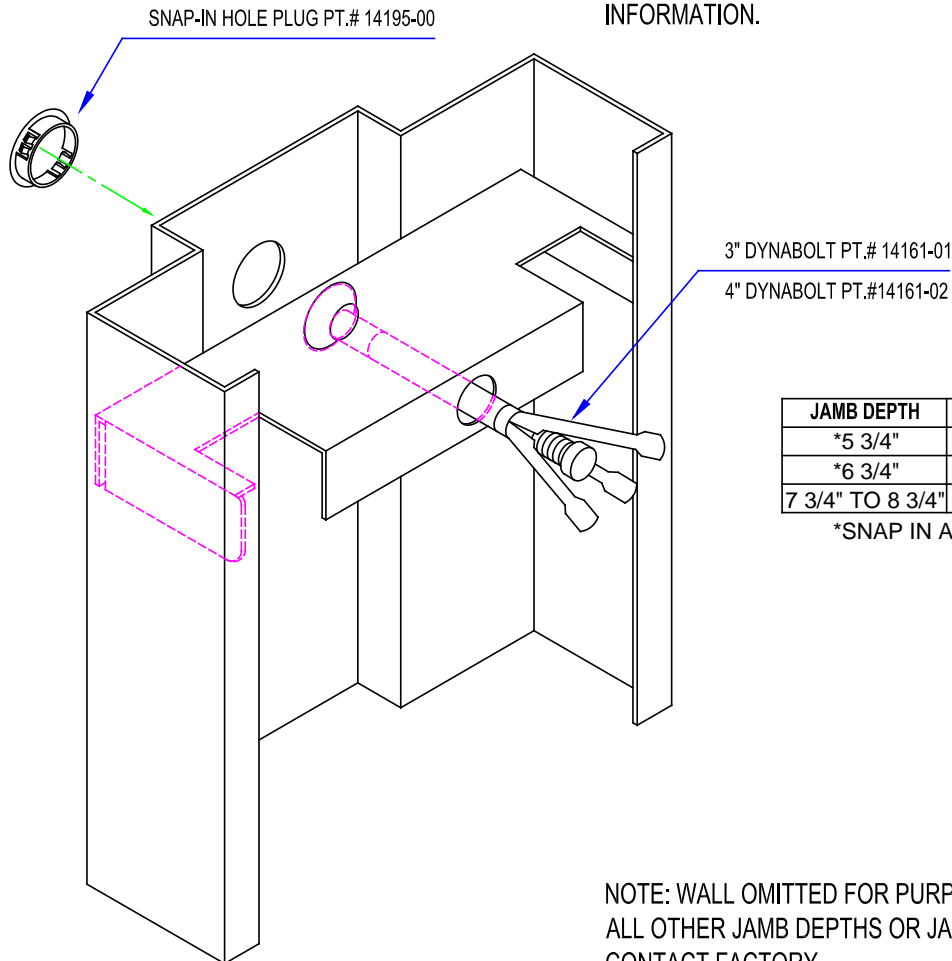
**TECH  
 DATA**

## COMPLETED OPENING ANCHOR INSTALLATION

JAMB HEIGHT	ANCHOR QTY.	SPACING*
UP TO & INCLUDING 5'4"	3	26" MAX.
OVER 5'4" TO 7'6"	4	26" MAX.
OVER 7'6" TO 9'8"	5	26" MAX.
OVER 9'8" TO 11'10"	6	26" MAX.

\* 6" MAX CENTERLINE FROM TOP & BOTTOM OF JAMB

INSTALL SNAP-IN ANCHORS TO ALIGN WITH PIERCED HOLES IN JAMBS. FRAMES MAY ALSO BE SUPPLIED WITH ANCHORS WELDED IN PLACE. SLIDE FRAME INTO OPENING, INSTALL WOOD SPREADERS. SHIM TO MAINTAIN SQUARENESS AND FRAME ALIGNMENT AS REQUIRED. BUTT ONE JAMB TIGHT TO WALL IF POSSIBLE. INSERT BOLT ANCHORS AND TIGHTEN SECURELY. REPEAT FOR OPPOSITE JAMB. INSTALL PLUGS TO COVER HEADS. REFER TO 400 SERIES EXISTING OPENING INSTALLATION INSTRUCTIONS OR ANSI A250.11-2001 FOR ADDITIONAL INFORMATION.



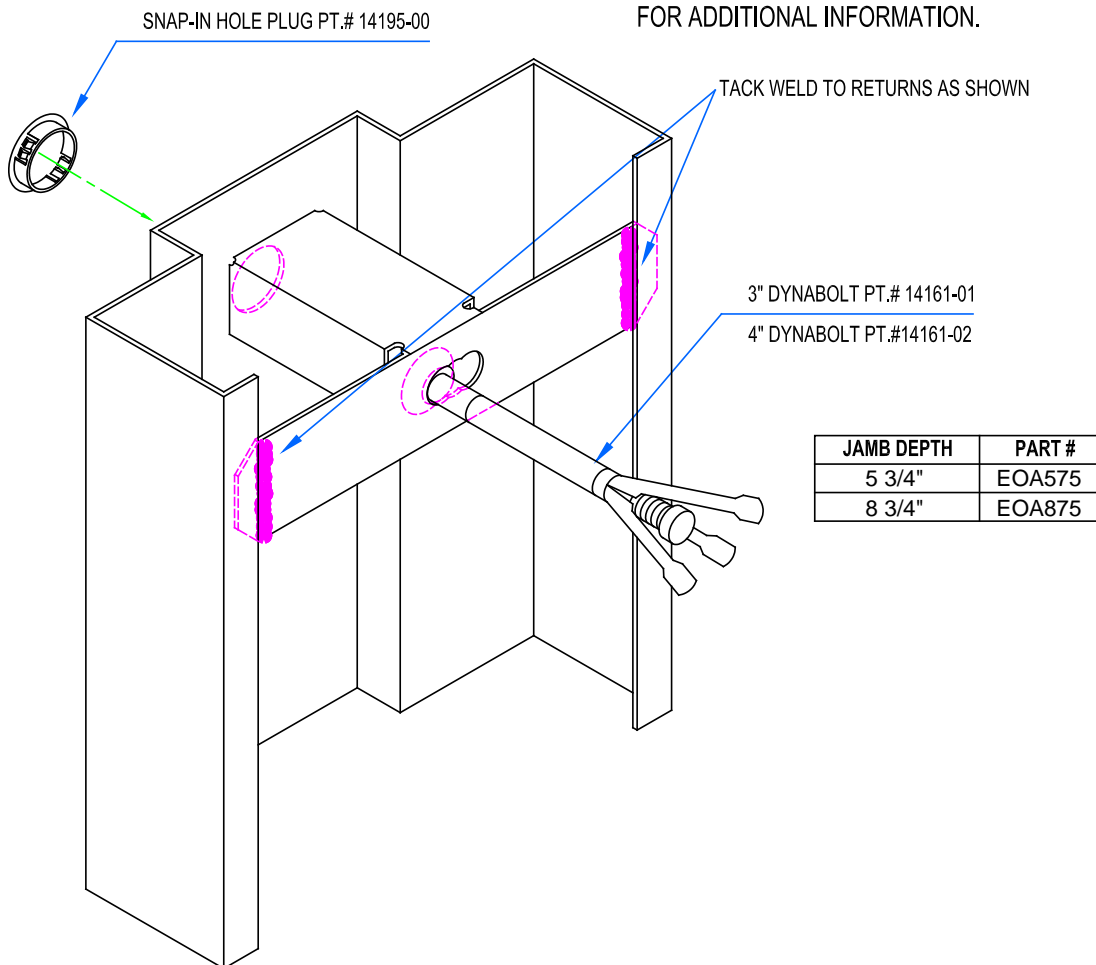
NOTE: WALL OMITTED FOR PURPOSES OF CLARITY  
 ALL OTHER JAMB DEPTHS OR JAMB FACES OVER 4",  
 CONTACT FACTORY.

## EXISTING OPENING ANCHOR INSTALLATION

JAMB HEIGHT	ANCHOR QTY.	SPACING*
UP TO & INCLUDING 5'4"	3	26" MAX.
OVER 5'4" TO 7'6"	4	26" MAX.
OVER 7'6" TO 9'8"	5	26" MAX.
OVER 9'8" TO 11'10"	6	26" MAX.

\* 6" MAX CENTERLINE FROM TOP & BOTTOM OF JAMB

WELD ANCHORS TO ALIGN WITH PIERCED HOLES IN JAMBS. FRAMES MAY ALSO BE SUPPLIED WITH ANCHORS WELDED IN PLACE. SLIDE FRAME INTO OPENING, INSTALL WOOD SPREADERS. SHIM TO MAINTAIN SQUARENESS AND FRAME ALIGNMENT. BUTT ONE JAMB TIGHT TO WALL IF POSSIBLE. INSERT BOLT ANCHORS AND TIGHTEN SECURELY. INSTALL PLUGS TO COVER BOLT HOLES. REFER TO AMWELDS 400 SERIES EXISTING OPENING INSTALLATION INSTRUCTIONS OR ANSI A250.11-2001 FOR ADDITIONAL INFORMATION.



JAMB DEPTH	PART #
5 3/4"	EOA575
8 3/4"	EOA875

NOTE: WALL OMITTED FOR PURPOSES OF CLARITY



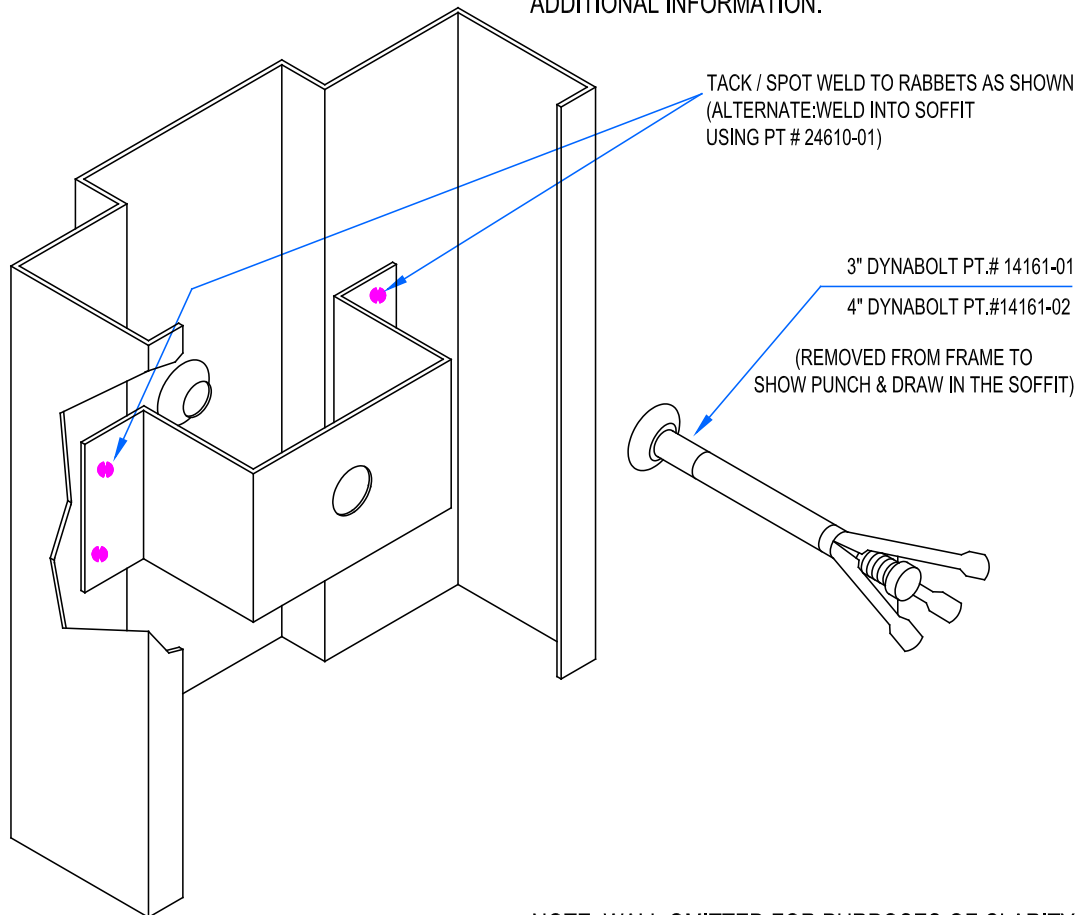


## PUNCH & DRAW FOR 3/8" BOLT ANCHOR INSTALLATION

JAMB HEIGHT	ANCHOR QTY.	SPACING*	PART #
UP TO & INCLUDING 5'4"	3	26" MAX.	24610-12
OVER 5'4" TO 7'6"	4	26" MAX.	24610-12
OVER 7'6" TO 9'8"	5	26" MAX.	24610-12
OVER 9'8" TO 11'10"	6	26" MAX.	24610-12

\* 6" MAX CENTERLINE FROM TOP & BOTTOM OF JAMB

WELD IN ANCHORS TO ALIGN WITH PIERCED HOLES IN JAMBS. FRAMES MAY ALSO BE SUPPLIED WITH ANCHORS WELDED IN PLACE. SLIDE FRAME INTO OPENING, MARK ANCHOR LOCATIONS, REMOVE AND PRE-DRILL. REPLACE FRAME IN ROUGH OPENING. INSTALL WOOD SPREADERS. SHIM TO MAINTAIN SQUARENESS AND FRAME ALIGNMENT. BUTT ONE JAMB TIGHT TO WALL IF POSSIBLE. INSERT BOLT ANCHORS AND TIGHTEN SECURELY. PUDDY & FINISH BOLT HEADS IF DESIRED. REFER TO AMWELDS 400 SERIES EXISTING OPENING INSTALLATION INSTRUCTIONS OR ANSI A250.11-2001 FOR ADDITIONAL INFORMATION.



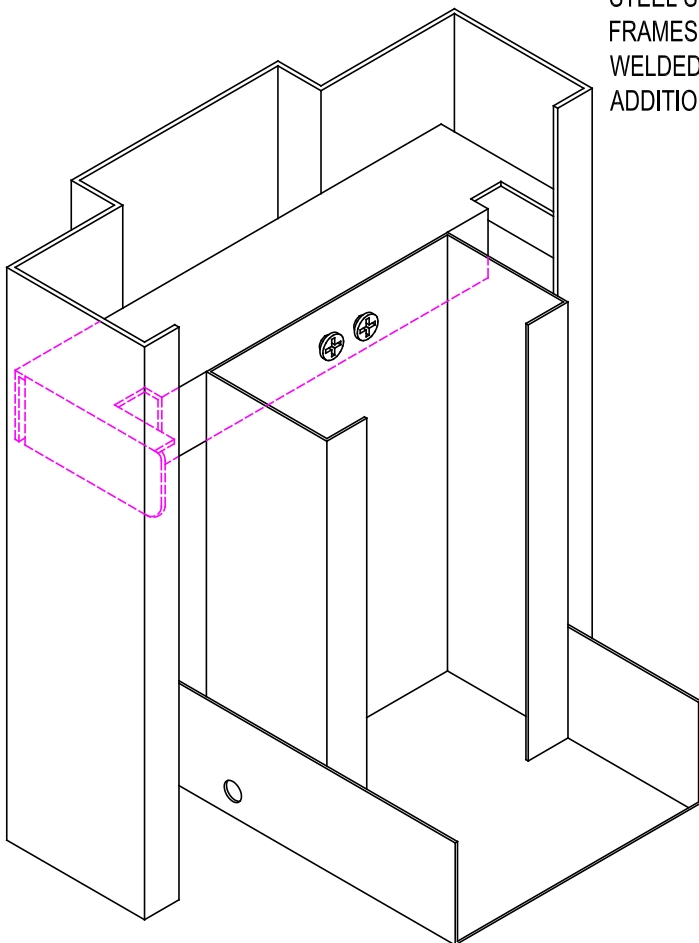
NOTE: WALL OMITTED FOR PURPOSES OF CLARITY

## STEEL STUD ANCHOR INSTALLATION

UP TO & INCLUDING 5'0"	2	30" MAX.
OVER 5'0" TO 7'6"	3	30" MAX.
OVER 7'6" TO 10'0"	4	30" MAX.
OVER 10'0" TO 11'10"	5	30" MAX.

\* 30" MAX. FROM JAMB BOTTOM UP @ BOTTOM ANCHOR

INSTALL ANCHORS AS SHOWN. ATTACH JAMBS TO FLOOR THROUGH FLOOR ANCHOR OR FLOOR EXTENTION. POSITION STUDS IN FRAME THROAT AND ATTACH TO ANCHORS WITH SCREWS OR WELD. IF USING SCREWS, DRILL FROM THE BACK SIDE OF THE STUD, THROUGH BOTH THE STUD AND ANCHOR, THEN ATTACH WITH (2) SCREWS PER ANCHOR LOCATION. SCREWS SHALL BE # 6 x  $\frac{3}{8}$ " MINIMUM STEEL SHEET METAL OR SELF TAPPING TYPE. FRAMES MAY ALSO BE SUPPLIED WITH ANCHORS WELDED IN PLACE. REFER TO ANSI A250.11-2001 FOR ADDITIONAL INFORMATION.

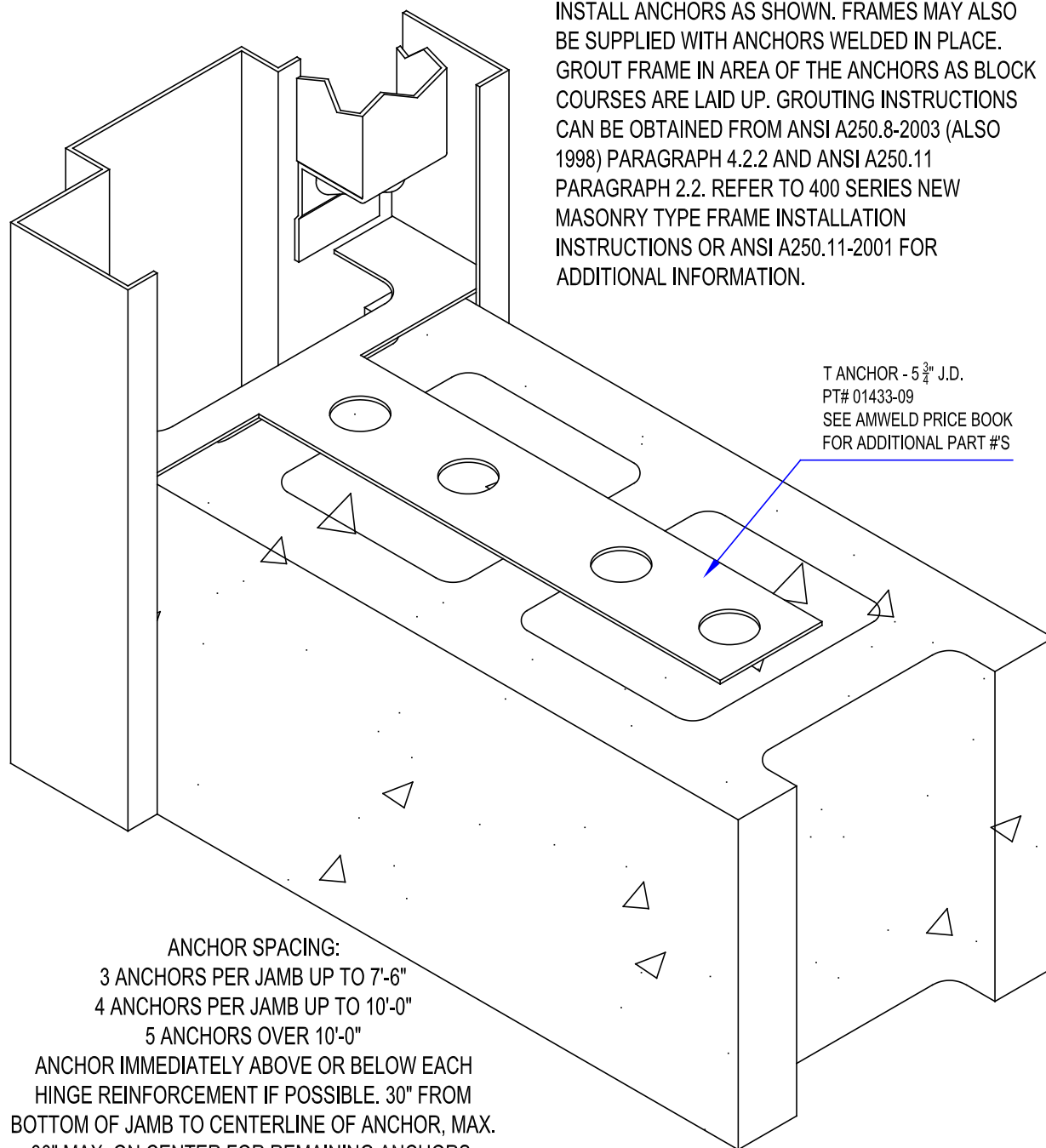


3 3/4"	14114-01
4 3/4"	14115-01
5 3/4"	14117-01

## T MASONRY ANCHOR INSTALLATION

INSTALL ANCHORS AS SHOWN. FRAMES MAY ALSO BE SUPPLIED WITH ANCHORS WELDED IN PLACE. GROUT FRAME IN AREA OF THE ANCHORS AS BLOCK COURSES ARE LAID UP. GROUTING INSTRUCTIONS CAN BE OBTAINED FROM ANSI A250.8-2003 (ALSO 1998) PARAGRAPH 4.2.2 AND ANSI A250.11 PARAGRAPH 2.2. REFER TO 400 SERIES NEW MASONRY TYPE FRAME INSTALLATION INSTRUCTIONS OR ANSI A250.11-2001 FOR ADDITIONAL INFORMATION.

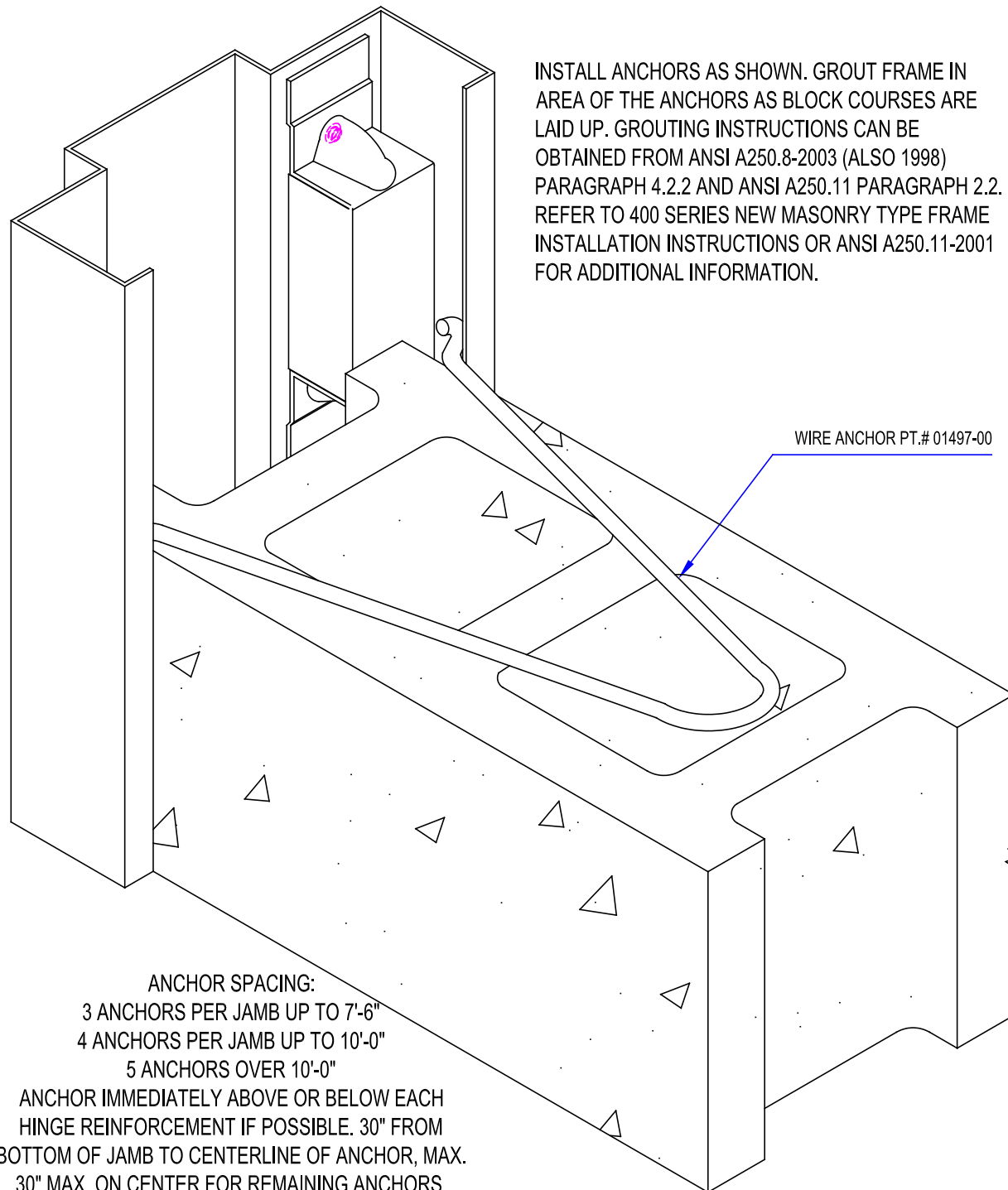
T ANCHOR - 5 <sup>3</sup>/<sub>4</sub>" J.D.  
PT# 01433-09  
SEE AMWELD PRICE BOOK  
FOR ADDITIONAL PART #S



**ANCHOR SPACING:**  
3 ANCHORS PER JAMB UP TO 7'-6"  
4 ANCHORS PER JAMB UP TO 10'-0"  
5 ANCHORS OVER 10'-0"  
ANCHOR IMMEDIATELY ABOVE OR BELOW EACH  
HINGE REINFORCEMENT IF POSSIBLE. 30" FROM  
BOTTOM OF JAMB TO CENTERLINE OF ANCHOR, MAX.  
30" MAX. ON CENTER FOR REMAINING ANCHORS.

## WIRE MASONRY ANCHOR INSTALLATION

INSTALL ANCHORS AS SHOWN. GROUT FRAME IN AREA OF THE ANCHORS AS BLOCK COURSES ARE LAID UP. GROUTING INSTRUCTIONS CAN BE OBTAINED FROM ANSI A250.8-2003 (ALSO 1998) PARAGRAPH 4.2.2 AND ANSI A250.11 PARAGRAPH 2.2. REFER TO 400 SERIES NEW MASONRY TYPE FRAME INSTALLATION INSTRUCTIONS OR ANSI A250.11-2001 FOR ADDITIONAL INFORMATION.



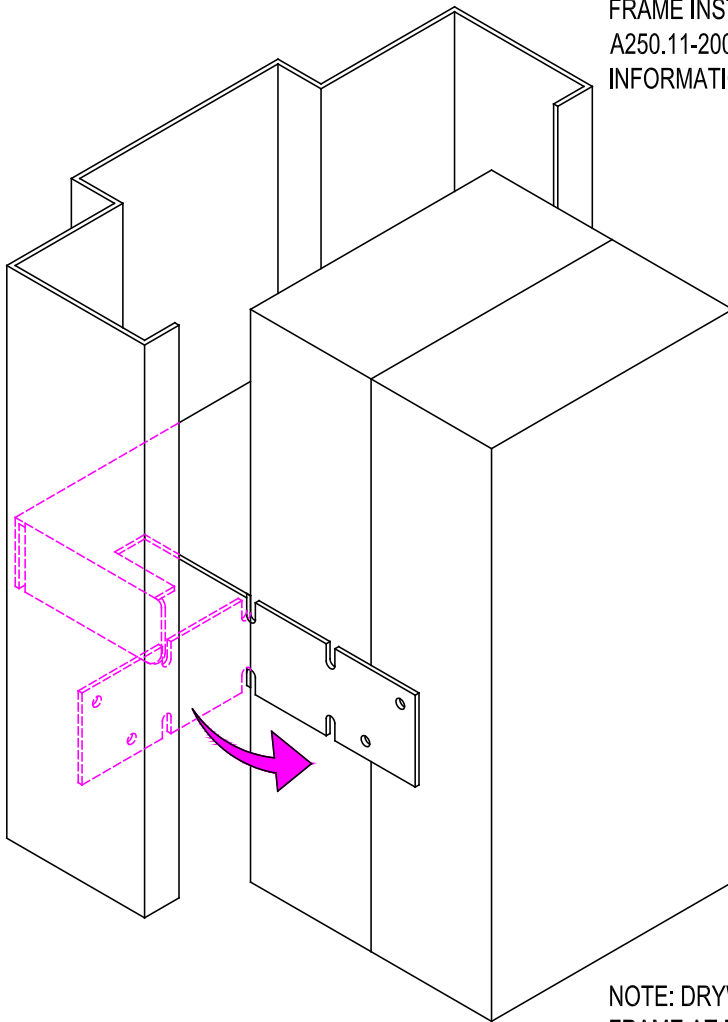
**ANCHOR SPACING:**  
3 ANCHORS PER JAMB UP TO 7'-6"  
4 ANCHORS PER JAMB UP TO 10'-0"  
5 ANCHORS OVER 10'-0"  
ANCHOR IMMEDIATELY ABOVE OR BELOW EACH  
HINGE REINFORCEMENT IF POSSIBLE. 30" FROM  
BOTTOM OF JAMB TO CENTERLINE OF ANCHOR, MAX.  
30" MAX. ON CENTER FOR REMAINING ANCHORS.

## WOOD STUD ANCHOR INSTALLATION

INSTALL ANCHORS AS SHOWN. ATTACH JAMBS TO FLOOR THROUGH FLOOR ANCHOR OR FLOOR EXTENTION IF POSSIBLE. BEND ANCHOR TABS AROUND STUD LEAVING DESIRED CLEARANCE BETWEEN FRAME RETURN AND STUD FOR INSERTING FINISHED WALL MATERIAL. SQUARE AND NAIL OR SCREW TOP ANCHOR TO STUD ON ONE JAMB ONLY. CHECK PLUMB AND SQUARE AND CONTINUE TO ATTACH BALANCE OF ANCHORS TO STUD. REPEAT FOR OPPOSITE JAMB. FRAMES MAY ALSO BE SUPPLIED WITH ANCHORS WELDED IN PLACE. REFER TO 400 SERIES WOOD STUD TYPE FRAME INSTALLATION INSTRUCTIONS OR ANSI A250.11-2001 FOR ADDITIONAL INSTALLATION INFORMATION.

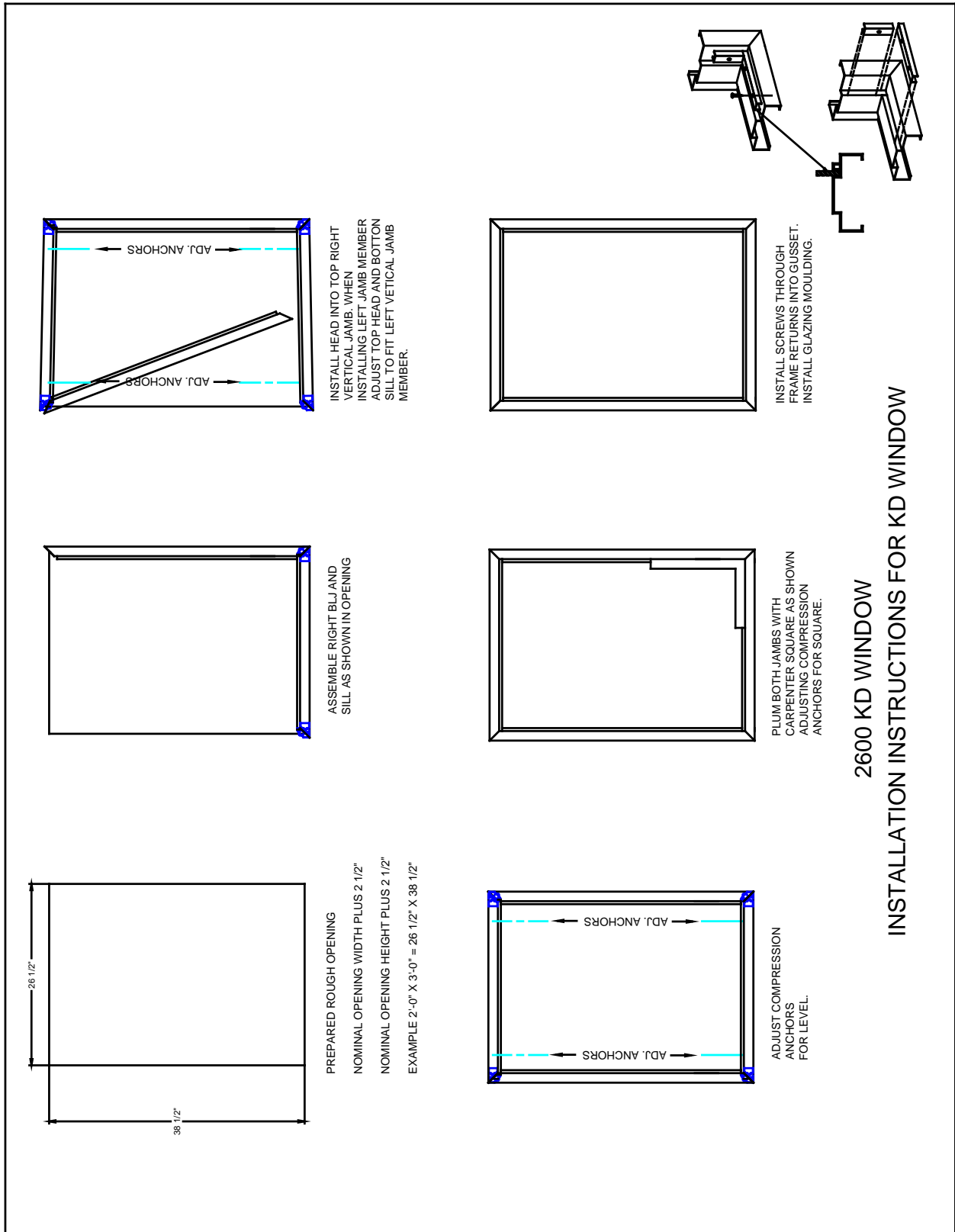
JAMB HEIGHT	ANCHOR QTY.	SPACING*
UP TO & INCLUDING 5'0"	2	30" MAX.
OVER 5'0" TO 7'6"	3	30" MAX.
OVER 7'6" TO 10'0"	4	30" MAX.
OVER 10'0" TO 11'10"	5	30" MAX.

\* 30" MAX. FROM JAMB BOTTOM UP @ BOTTOM ANCHOR

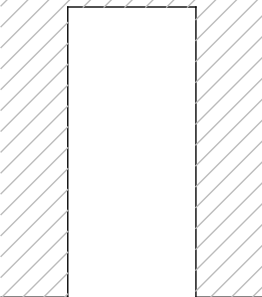


JAMB DEPTH	PART #
3 3/4"	14103-00
4 3/4"	14104-00
6 3/4"	14176-00
7 3/4"	14177-00
8 3/4"	14196-00

NOTE: DRYWALL MUST EXTEND AT LEAST  $\frac{1}{2}$ " INTO FRAME AT FIRE RATED INSTALLATIONS.

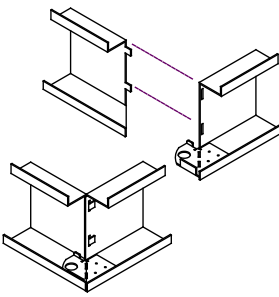


**1**



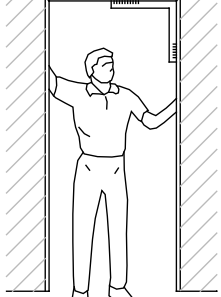
Prepare Rough Opening  
 Width - Nominal Door Width + 2-1/8"  
 Height - Nominal Door Height + 1-1/8"  
 (i.e. 3070 = 38-1/8"W x 85-1/8"H)

**2**



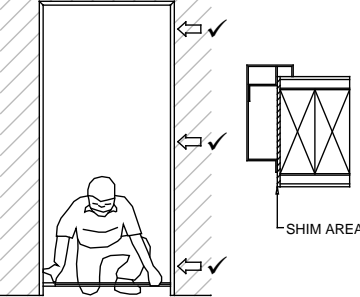
Slide Trim Jambs Over Corner Gussets with tabs inserted in slots. Push header and jamb miters together. Bend tabs out with a hammer.

**3**



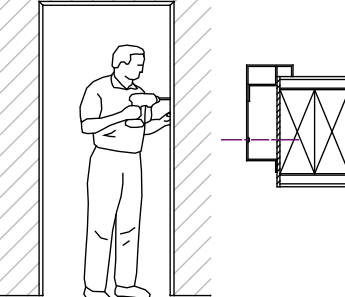
Insert trim section into opening. Make certain frame returns are resting against the wall surface. Then Square Jambs with a carpenter square.

**4**



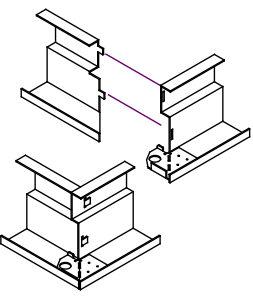
Check Door Opening Dimension where shown. Shim where required. (Shims by others)

**5**



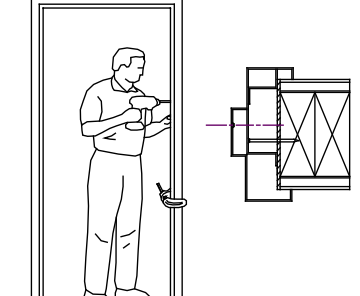
Drill 5-3/2" Pilot Holes in Wall (If Req'd) through factory punched countersunk holes. Secure trim jambs to wall with #12 Screws (Supplied).

**6**



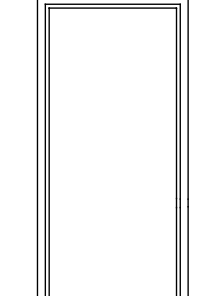
Slide Hardware Jambs Over Corner Gussets with tabs inserted in slots. Push header and jamb miters together. Bend tabs out with a hammer.

**7**

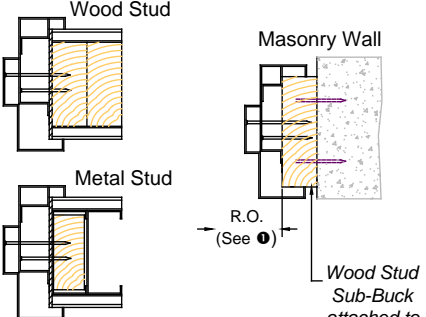


Insert & Clamp Hardware Section to Trim. Drill 5/32" holes thru countersunk holes in hardware section thru trim section and secure with #12 screws (supplied).

**8**



Install rubber silencers into strike jamb after finish paint.



Wood Stud  
 Metal Stud  
 Masonry Wall  
 R.O. (See 1)  
 Wood Stud Sub-Buck attached to Wall  
 Wood blocking needed for light gage steel stud. (Not Req'd for 20Ga.)

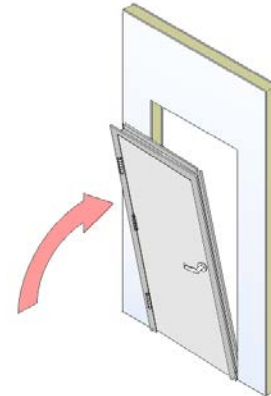


**INSTRUCTIONS**

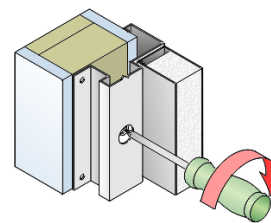
1. Preferred installation method uses two people. One installer and one helper.
2. The installer should be standing on the push side (the side of the door that you would have to push the door away from you in order to open it) with the helper on the pull side (the side of the door that you would have to pull towards you in order to open it).
3. Before installing, check opening for correct size. Rough opening should be door width + 2-1/4" and door height + 1-1/4" (3'0" x 7'0" door will have opening of 38-1/4" {+/-1/8} x 85-1/4" {+/-1/8})
4. Open package and place trim piece and installation tools on push side of opening.
5. Place door side of unit on pull side of opening. **(DET.1)**
6. Have helper stand door side up in the opening.
7. Push unit tight against hinge jamb side of opening.
8. Engage 4 compression anchors by turning the anchor with screw driver clockwise. **(DET.2)**
9. Place 4' level vertically on hinge edge of frame.
10. If out of level / plumb, compress and/or expand compression anchors to adjust the frame in the opening on both jambs.
11. Once frame is correct in the opening use the #8 x 2" screws to attach the unit to the wall framing at screw holes located in flange on frame. (4 screws into each jamb) – do not over tighten. **(DET.3)**
12. On pull side of the door have helper screw in the 2 each #8 x 2 1/2" screws at the base of each jamb.
13. Remove the two screws from the spreader bar and take the spreader bar off of the unit. This can be thrown away.
14. Take the trim piece and slide the tabs on the trim piece into the slots on the door side. **(DET.4)**
15. Slide trim piece onto door side until it is tight against the wall.
16. Clamp the frame together to hold firm while attaching.
17. Pre-drill through the tab once trim side is clamped tight to the wall.

Continued on Next Page.

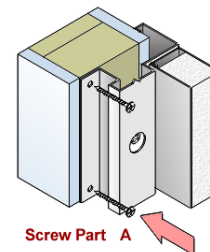
**DETAILS**



**(DET.1)**  
Tilt Hardware Section into Wall, follow attachment procedures.



**(DET.2)**  
Press frame tightly against the wall and adjust compression anchor to square the frame in the wall, maintaining an equal gap around the perimeter of the opening.



**(DET.3)**  
After the frame is squared. Attach the unit to the wall using (Part A) Screws around the perimeter of the frame. Ensure that the door does not bind at this time.



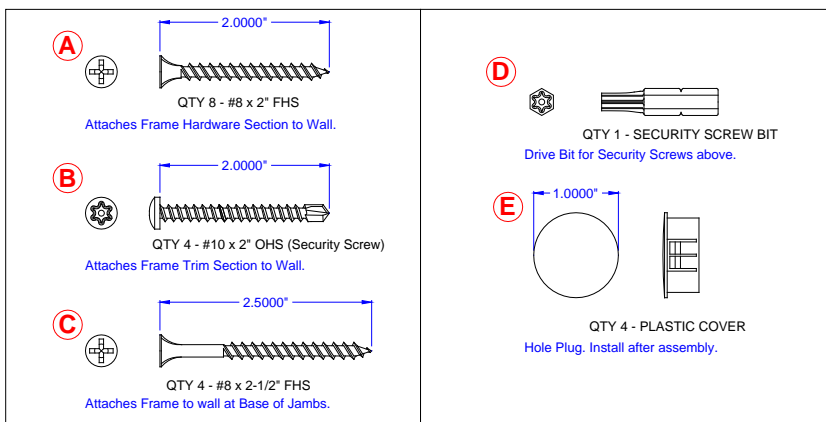
**INSTRUCTIONS CONTINUED.**

18. At the 4 compression anchor locations insert self tapping screw into screw hole.
19. Drive the screw through the tab from the trim piece and into the wall. Do not over tighten. **(DET.5)**
20. Push plugs into the 4 holes at compression anchor locations. **(DET.6)**
21. On push side of the door have helper screw in the 2 each #8 x 2 1/2" screws at the base of each jamb. **(DET.7)**
22. Install other loose hardware items.

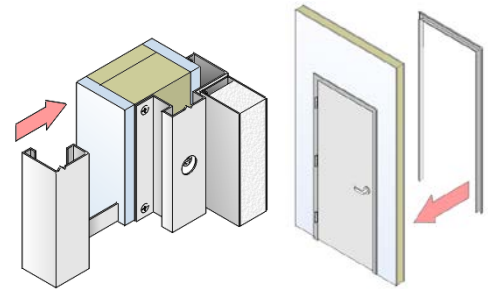
**TOOLS NEEDED:**

- Level  
For squaring frame during installation.
- Screw Driver  
For attachment screws and compression anchors.
- Supplied Security Bit and Drill  
For final trim attachment (Security Screw B)
- Clamps  
To hold frame sections firmly against wall during attachment.

**INCLUDED IN TNP SCREW PACK**

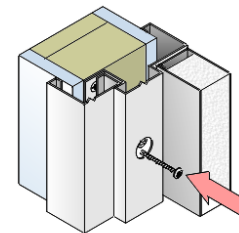


**DETAILS**



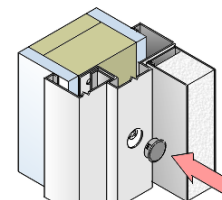
**(DET.4)**

Align the trim tabs with the slots located at the compression points and slide the trim section in place.



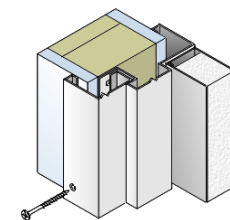
**Screw Part B  
(DET.5)**

Holding the trim section firmly against the wall, drive in screw (Part B) through the compression bracket, trim tab, and into the wall.



**Hole Plug Part E  
(DET.6)**

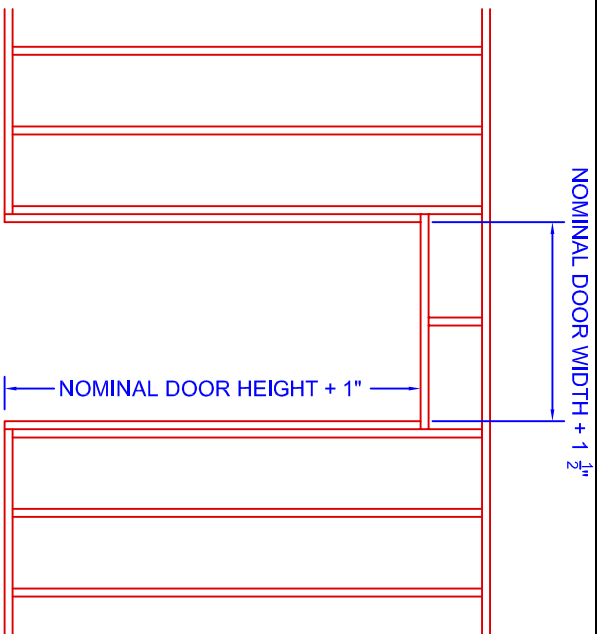
Install hole plugs to cover compression/attachment holes on jambs.



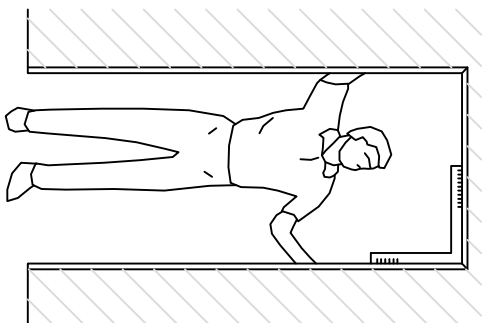
**Screw Part C  
(DET.7)**

Finish by securing the unit to the wall using screw (Part C) through the base holes at the bottom of the frame.

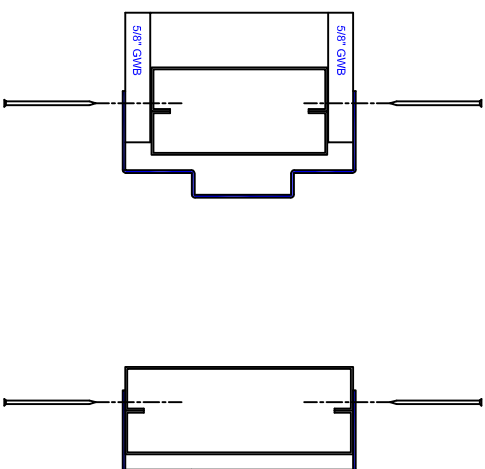
# HIGH RISER SERIES WOOD/STEEL STUD TYPE FRAME INSTALLATION INSTRUCTIONS



e.g. 3070 nom would be 37 1/2" x 85"

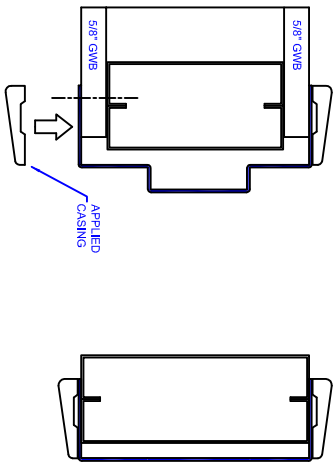


Insert frame into opening. Make certain frame returns are resting against the wall surface. Then Square Jamb with a carpenter square. Install screws with this step see right.

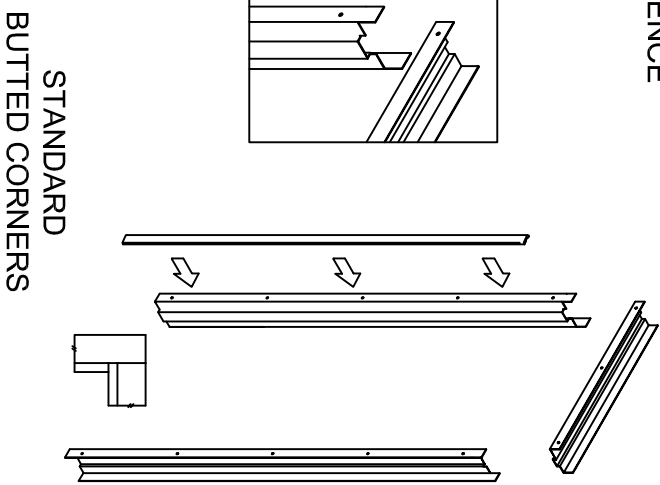


#6 Drywall Screws provided by Installers

INSTALL CASING OVER FACE SUPPLIED BY OHTERS

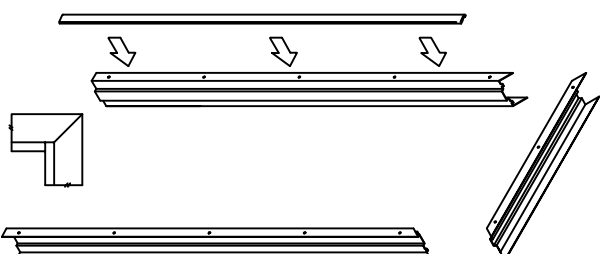


REFERENCE



STANDARD BUTTED CORNERS

REFERENCE



OPTIONAL MITERED CORNERS