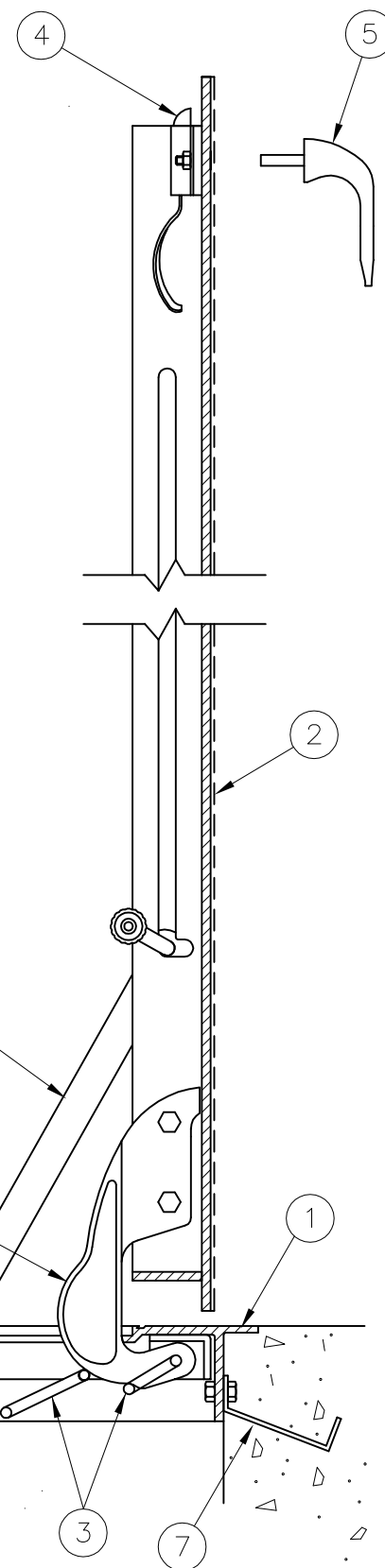
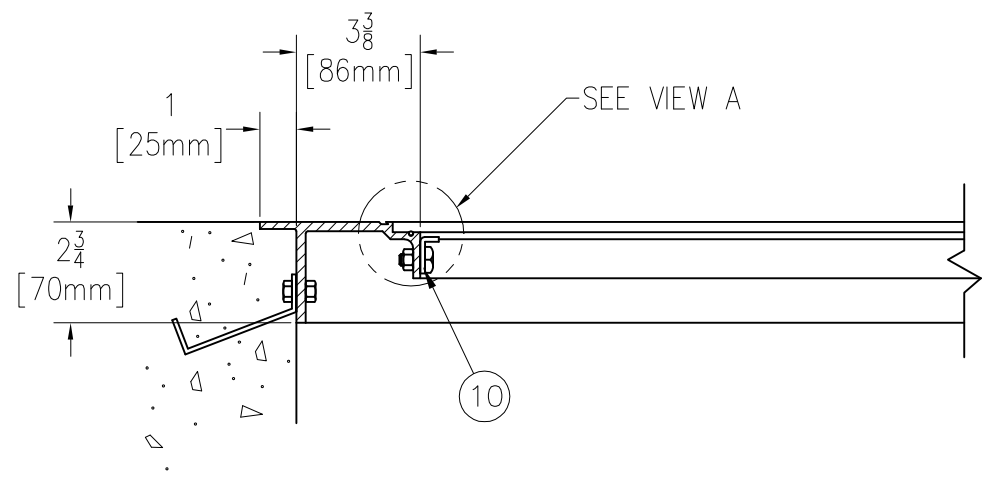


VIEW A  
ENLARGED SECTION OF  
NEOPRENE CUSHION



Frame areas that come in contact with concrete shall be coated with bituminous paint



THIS DRAWING IS THE PROPERTY OF THE BILCO COMPANY AND INCORPORATES INFORMATION WHICH IS PROPRIETARY. PUBLICATION AND/OR PUBLIC DISTRIBUTION IN WHOLE OR IN PART IS EXPRESSLY PROHIBITED WITHOUT THE PRIOR WRITTEN CONSENT OF THE BILCO COMPANY. THE INFORMATION CONTAINED HEREIN REMAINS THE PROPERTY OF THE BILCO COMPANY. ALL RIGHTS RESERVED.

SPECIFICATIONS

1. Extruded aluminum frame
2. 1/4" aluminum diamond plate cover
3. Torsion/cam operating mechanism
4. Standard slam lock
5. Removable square key wrench
6. Bilco automatic hold open arm w/ red vinyl grip
7. 1/8" x 1" steel anchor strap
8. Continuous neoprene cushion
9. Steel cast hinges
10. Lock strike
11. Guide arm (if req'd)

SHOP FINISH:  
ALUMINUM: MILL FINISH  
HARDWARE: ZINC PLATED & CHROMATE SEALED  
(unless otherwise specified)

REINFORCED FOR 150 Lbs. PER Sq. Ft.  
(732 kg. PER Sq. METER) LIVE LOAD

INSTALLER NOTES:

- A. Use caution. Cover is spring loaded. Do not remove safety shipping bolt until unit is to be installed and in normal horizontal operating position.
- B. Before anchoring in place open and close door. Check to see that the door in the closed position rests on the frame all around. If not, shim under the frame at the proper corner.

Customer:

P.O. N°

Job:

Sales Rep:

Manufacturers of Doors for Special Services  
**Bilco**® THE BILCO COMPANY  
New Haven, Connecticut 06505

**SINGLE LEAF ACCESS DOOR  
TYPE K - INTERIOR**

QTY	TYPE	SIZE	
		WIDTH	x LENGTH
<input type="checkbox"/>	<b>K-1</b>	<b>2'-0"</b>	<b>x 2'-0"</b> [610mm] x [610mm]
<input type="checkbox"/>	<b>K-2</b>	<b>2'-6"</b>	<b>x 2'-6"</b> [762mm] x [762mm]
<input type="checkbox"/>	<b>K-3</b>	<b>3'-0"</b>	<b>x 2'-6"</b> [914mm] x [762mm]
<input type="checkbox"/>	<b>K-4</b>	<b>3'-0"</b>	<b>x 3'-0"</b> [914mm] x [914mm]
<input type="checkbox"/>	<b>K-5</b>	<b>3'-6"</b>	<b>x 3'-6"</b> [1065mm] x [1065mm]