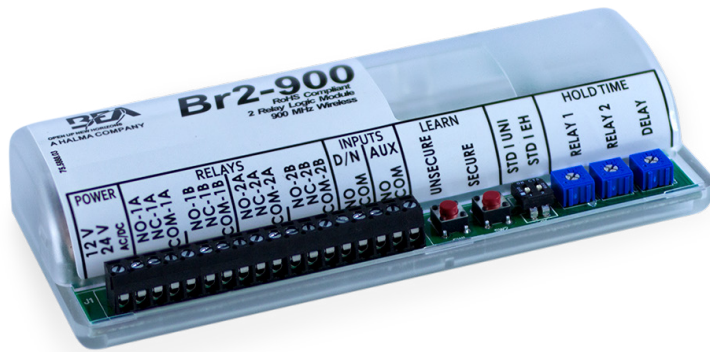
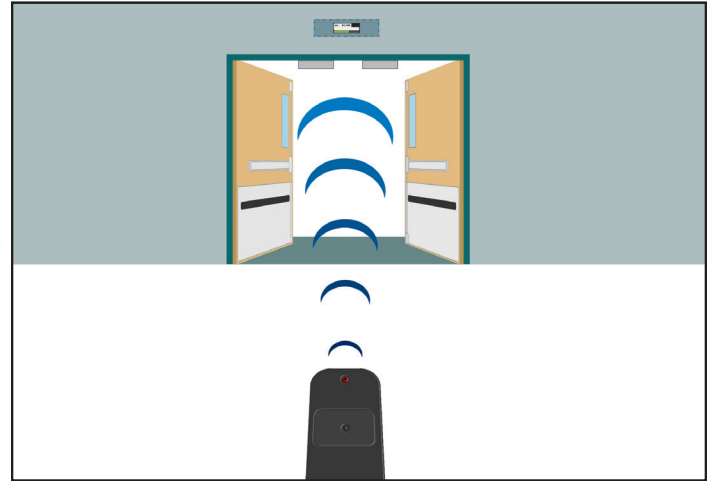


BR2-900

2-RELAY LOGIC MODULE + 900 MHZ WIRELESS TECHNOLOGY



PRIMARY APPLICATIONS



DESCRIPTION

BEA's Br2-900 is a 2-relay logic module with built-in 900 MHz wireless technology. Designed to provide wireless MC25 functionality, it is ideal for applications requiring sequencing of electric locking devices and automatic door activation.

Additionally, Day / Night Mode on the Br2-900's wireless receiver enables the user to designate "secure" or "unsecure" access for controlled entry points. Push plates with wireless transmitters can be programmed to operate during specific time periods (controlled via DRY Day / Night Input).

BEA's Universal Mode, an industry first, allows pre-learned Universal Transmitters to function directly out of the box...no programming required, saving time and enhancing accessibility!

The Br2-900 is compatible with all existing BEA 900 MHz transmitters and products, plus the Universal Transmitter.

FEATURES & BENEFITS

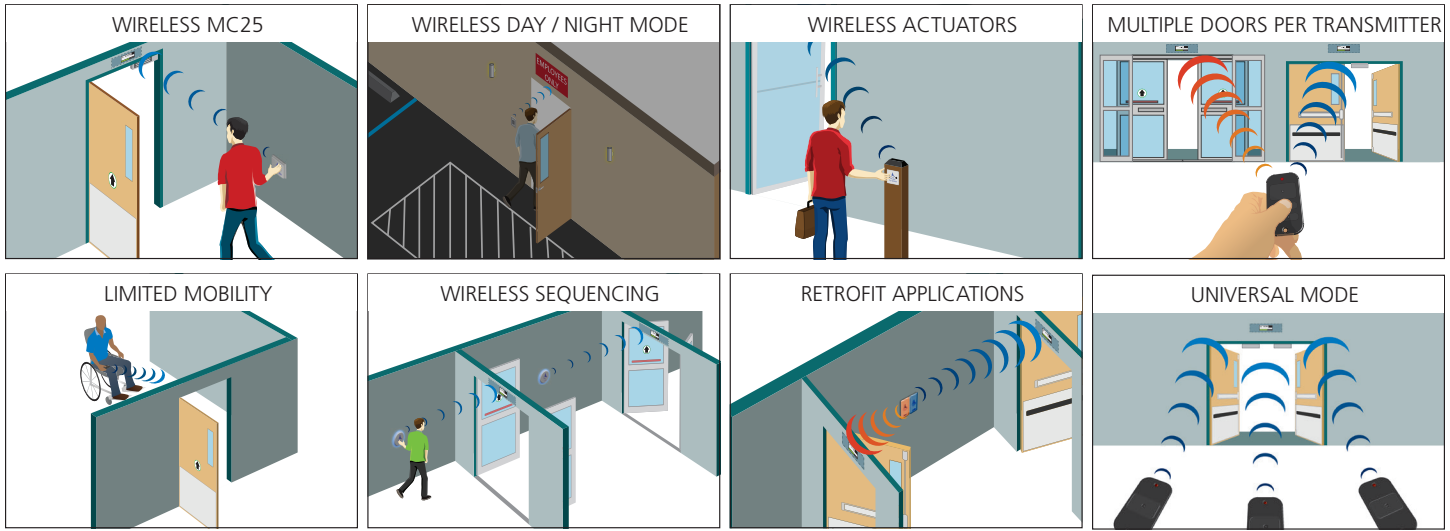
- Logic module with integrated 900 MHz wireless technology eliminates the need for separate logic module and wireless receiver
- Sequenced or simultaneous relay activation for application flexibility
- 2-AMP relays allow the direct release of an electric locking device wirelessly, eliminating the need for a separate logic module or isolation relay
- Extended Hold Mode allows wireless push plates to function like hardwired push plates (if push plate is held, relay does not time out)
- Wireless functionality eliminate the need to run input wires directly to the logic module, saving both time and money
- Dry auxiliary input for overriding Day / Night Mode



BEA, Inc.
RIDC Park West
100 Enterprise Drive
Pittsburgh, PA 15275-1213

Customer Service: 800.523.2462
Technical Support: 800.407.4545
www.BEAinc.com

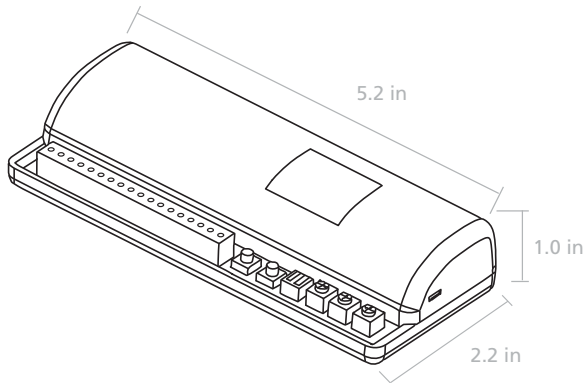
APPLICATIONS



TECHNICAL SPECIFICATIONS

Supply Voltage	12 – 24 VAC / VDC ±10%
Current Consumption	45 mA DC 75 mA AC
Frequency	908 –918 MHz (frequency hopping)
Emitted Radio Power	–25 dBm (TX)
Power Consumption	0.5 – 1.5 W
Programmable Transmitters Per Receiver	75 (unlimited for Universal Transmitter)
Temperature Rating	–22 °F – 158 °F (–30 °C – 70 °C)
Input	
Day / Night (24hr)	DRY contact
AUX	DRY contact
Contact Rating	
Relay 1 DPDT / Relay 2 DPDT	2 A @ 30 VDC or 2 A @ 24 VAC
LEDs	
BLUE	Relay 1 Activation
WHITE	Relay 2 Activation
RED	Radio Frequency / Learn
TRI-COLOR	Signal Strength
Certification	FCC, IC
Dimensions	5.2 in (W) × 1.0 in (H) × 2.2 in (D)

DIMENSIONAL DRAWINGS



RELATED PRODUCTS



www.BEAinc.com

© 2017 BEA, Inc. All rights reserved.

BR2-900

2-RELAY LOGIC MODULE + 900 MHZ WIRELESS TECHNOLOGY

BEA, Inc.
RIDC Park West
100 Enterprise Drive
Pittsburgh, PA 15275-1213

Customer Service: 800.523.2462
Technical Support: 800.407.4545

