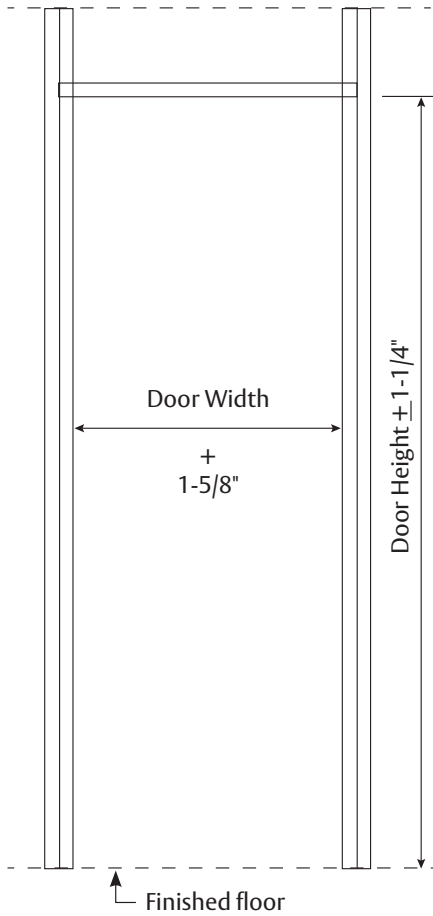
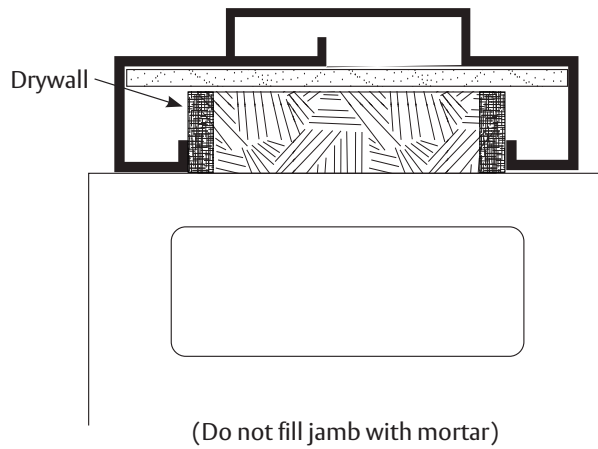


Expandable Frames

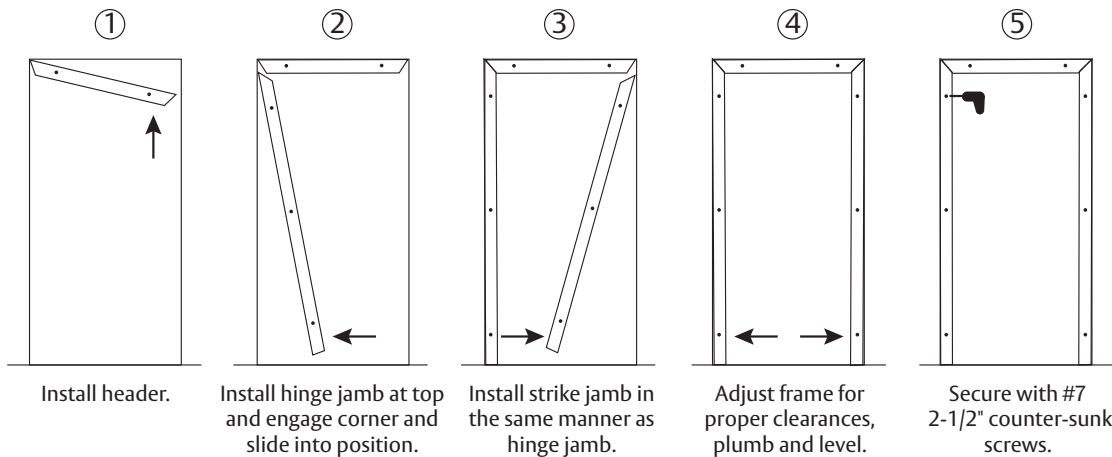
Rough Opening
Drywall Installation



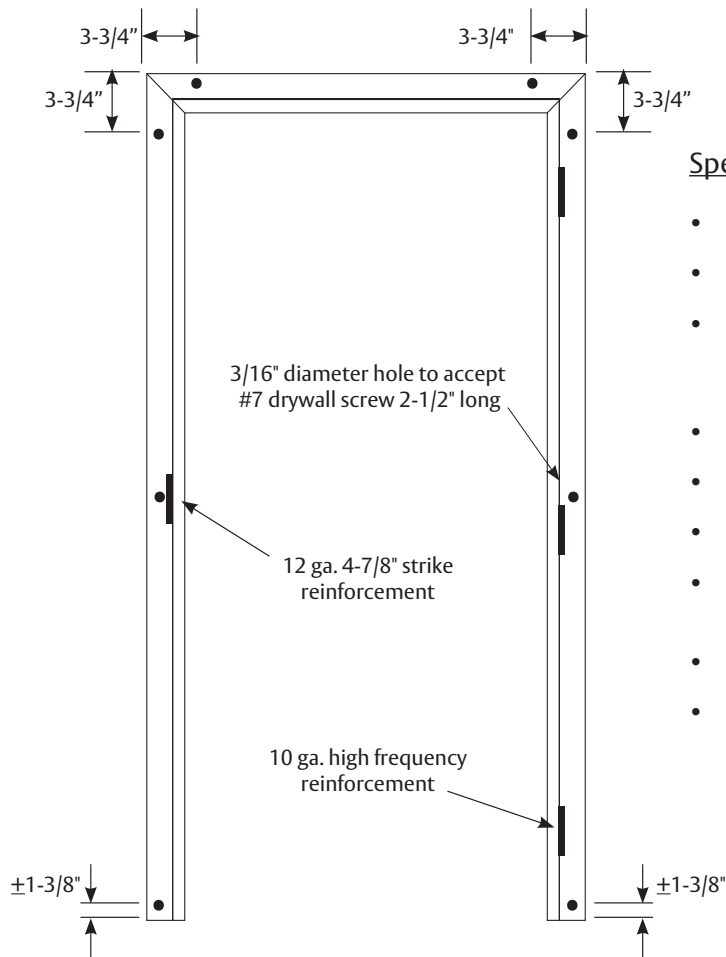
Masonry Installation



Installation Details



Expandable Frames



Specifications:

- 16 or 18 gauge galvalneal steel
- For use with 1-3/4" doors (steel or wood)
- Adjustable jamb sizes
Medium: 5-1/2" to 8-3/4"
Large: 8-1/2" to 13-1/4"
- Prepared for 9/32" silencer holes (silencer not included)
- Prepared to receive countersunk screws #7 x 2-1/2" (included)
- Prepared with 12 gauge A.S.A. strike reinforcement
- Prepared with 1-1/2 pair of high frequency 10 ga. 4-1/2" hinge reinforcement standard weight
- Rebate height 6'8", 7'0", or 7'6"
- Available 1-1/2 hr. labelled to 4'0" x 7'6" single and 6'0" x 7'0" double

