

BALDWIN®

ESTATE™



LOCK PORTFOLIO 2016



BALDWIN®

Baldwin hardware is so much more than a timeless and trustworthy brand that creates a charismatic presence in any home. Baldwin is about creating a signature look that seamlessly blends Baldwin hardware with the personality of its owner, and showing the world what true luxury is really worth.

There is a way for every home to “OWN IT” with Baldwin. From our Prestige Series that offers affordable luxury to Reserve, which opens the door to customizable products that deliver lasting impressions, to Estate, our crown jewel that creates your own signature look, “OWN IT” with the best of Baldwin.

ESTATE™

When people say it’s lonely at the top, they’re definitely not talking about Baldwin Estate. Estate is quality that feels custom made, because it is. Our master craftsmen take their time to create each piece by hand and with the utmost care so you can create your own signature look with seemingly infinite possibilities and elegant finishes. And with options so beautiful, tasteful, well made, and inviting, it’s no surprise that Estate is the crowned jewel of the Baldwin brand.

BALDWIN



Lexington®
6560.151



5106.402



Springfield®
6573.003



5000.003

ENTRANCE TRIM



Lancaster®
6543.190



Trenton™
6567.102



Concord®
6571.102



Boston™
6555.102



Reading®
6551.102



Baltimore®
6552.102



Lexington®
6560.102



Williamsburg™
6549.102



Springfield®
6573.102



Wilmington®
6546.102



Georgetown™
6550.102

Unless noted, entrance styles that begin with an 8 are for tubular preparation.

BALDWIN



Logan™
85315.003



Blakely™
85360.150

ENTRANCE TRIM



Blakely® Emergency Egress
85360.151



Buckingham®
85380.102



Glennon™
85375.102



Landon® Two Point Lock
85345.150



Logan™
85315.151



Madison®
85320.402



Stonegate® Emergency Egress
85355.112

Unless noted, entrance styles that begin with an 8 are for tubular preparation.

BALDWIN



Bethpage®
85337.112



Bismark®
6942.003





Bethpage®
85337.112 (Tubular)
M522.112 (Mortise)



Bethpage® Sectional
85327.003



Bismark®
6942.040



Canterbury®
85305.402



Manchester® Emergency Egress
85350.050



Nantucket®
85370.050

Unless noted, entrance styles that begin with an 8 are for tubular preparation.

BALDWIN



Lakeshore™
6966.264



5055.150



Santa Monica™
6915.150



ENTRANCE TRIM



Atlanta®
6570.150



Chicago™
6563.055



Denver®
6940.260



Detroit®
6548.260



Houston®
6973.055



Lakeshore™
6966.055



Lakeshore™ Lever Set
6974.055



Minneapolis®
6976.260



New York®
6562.055



San Diego®
6540.260



Tremont™
6542.055



Santa Monica™
6915.150

Unless noted, entrance styles that begin with an 8 are for tubular preparation.

BALDWIN



Minneapolis®
85392.260



Palm Springs®
85397.260



Soho® ¾ Emergency Egress
 85387.056 (Tubular)
 M516.056 (Mortise)



Soho® Two Point Lock
 85385.264



Soho® Sectional
 85386.264



Minneapolis® ¾ Emergency Egress
 85391.260



Minneapolis® Full Emergency Egress
 85392.260



Minneapolis® Sectional
 85390.260



Palm Springs™ ¾ Emergency Egress
 85396.260 (Tubular)
 6920.260 (Mortise)



Palm Springs™ Full Emergency Egress
 85397.260 (Tubular)
 6921.260 (Mortise)



Palm Springs™ Sectional
 85395.260

Unless noted, entrance styles that begin with an 8 are for tubular preparation.

BALDWIN



Barclay®
6554.151



5065.050



Bristol®
6963.003



5064.151



Ashton® Two Point Lock
85365.102



Barclay® Knob Set
6554.040



Bristol®
6963.050



Bristol® Sectional
6420.056 (Tubular)
6520.056 (Mortise)



Bristol® Lever Set
6939.055



Hamilton®
6544.055



Monterey™
6565.190



Richmond®
6557.190



Nashville®
6547.040



San Francisco®
6541.040



Stanford™
6951.040

Unless noted, entrance styles that begin with an 8 are for tubular preparation.

BALDWIN



Pasadena™
6944.112



5190.112



Richland®
6999.452



ENTRANCE TRIM



Cody® ¾ Escutcheon
85352.452 (Tubular)
M502.452 (Mortise)



Cody® Full Escutcheon
6403.452 (Tubular)
M504.452 (Mortise)



Boulder® ¾ Escutcheon
85354.452 (Tubular)
M512.402 (Mortise)



Boulder® Full Escutcheon
6402.402 (Tubular)
M514.402 (Mortise)



Pasadena™
6944.112



Richland®
6999.452

Unless noted, entrance styles that begin with an 8 are for tubular preparation.

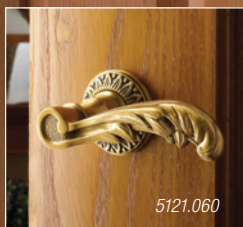
BALDWIN



Kensington®
6950.003



Victoria™
6948.050



5121.060



Edinburgh®
6952.060



Fenwick®
6962.150



Lakewood®
6922.050



Kensington®
6950.060



Kensington® ¾ Escutcheon
6426.112 (Tubular)
6526.112 (Mortise)



Versailles®
6933.050



Victoria™
6948.150



Westminster®
6961.060

Unless noted, entrance styles that begin with an 8 are for tubular preparation.



L006.112



K002.050



K003.033



K004.060



K005.055



K006.151



L002.264



L002.264



L004.150



L006.112



5069.150



5011.150



5045.150



5066.150



5068.150



5069.150

SEVERIN FAYERMAN COLLECTION



5112.150



5113.150



5116.150



5118.150



5141.150



5000.102



5005.050



5015.102



5020.050



5023.452



5057.050



5025.402



5060.050



5030.102



5065.050



5064.050



5001.030



5055.150



5009.030



5041.260



5013.050



5073.260



5031.050



5024.150



5050.060



5077.150



5067.050



5080.030

BALDWIN



5103.190



5101.050



5104.003



5107.055



5106.190



5108.060



5109.050



5117.050



5114.003



5121.060



5125.003



5122.003



5132.102



5190.102



5152.055



5447V.102



5440V.050



5452V.190



5445V.102



L015.112



5455V.150



L016.260

LEVERS



L017.112



5137.150



L018.150



5138.260



L020.150



5161.150



L021.150



5162.150



L022.150



5164.150



L023.150



5165.150



L024.260



5166.150



L025.260



5173.150



5105.150



5460V.150



5115.150



5485V.150

DEADBOLTS



Traditional Deadbolt
8231.150 (also 8021, 8031, 8232)



Contemporary Deadbolt
8241.150 (also 8011, 8041, 8242)



Soho® Deadbolt
8285.264 (also 8286)



Bethpage® Deadbolt
8237.112 (also 8238)



Arched Deadbolt
8252.402 (also 8253)



**Santa Monica™
Square Deadbolt**
8220.150 (also 8221)



**Concord®
Square Deadbolt**
8254.452 (also 8255)



**Palm Springs®
Deadbolt**
8250.260 (also 8251)

KEYLESS ENTRY



Soho® Deadbolt
8285.150.AC1



Boulder® Deadbolt
8252.112.AC1

MIX & MATCH:

With Baldwin, you can customize your door hardware. Mix any Estate™ knob or lever with any rose. Even change out the knob or lever on any handleset or entryset to fit your taste.



*5068 Knob
Shown w/ 5048 Rose*



*5068 Knob
Shown w/ 5038 Rose*



*5068 Knob
Shown w/ 5017 Rose*



*5068 Knob
Shown w/ 5076 Rose*



*5068 Knob
Shown w/ 5002 Rose*

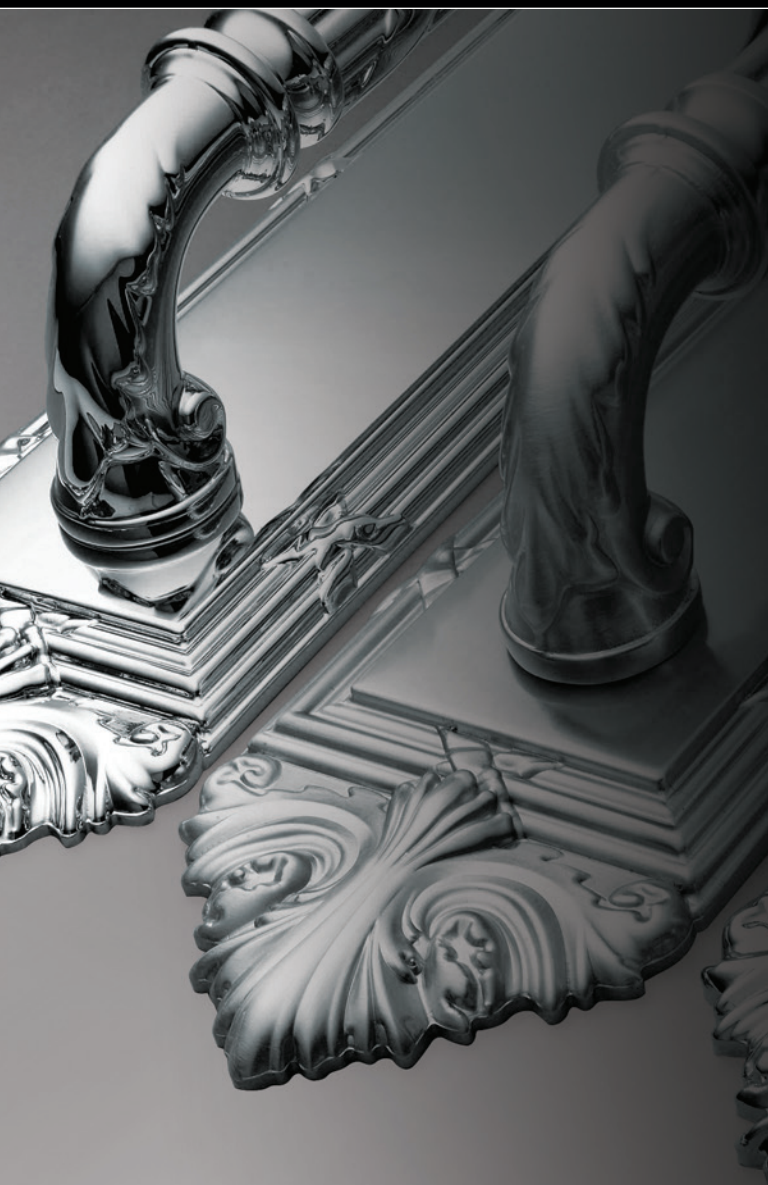


*5068 Knob
Shown w/ 5058 Rose*



*5068 Knob
Shown w/ 5070 Rose*

BALDWIN



***HAND-RELIEVED FINISH VARIANCES:** (050, 060, 112, 151, 412, 452)

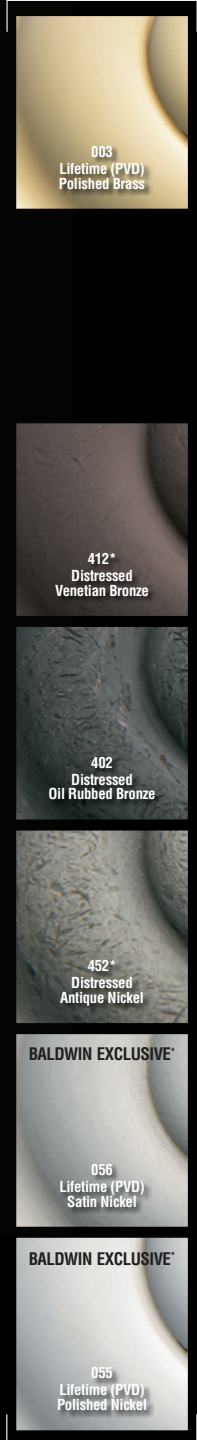
Product finishes which are HAND RELIEVED may vary in luster, hue & appearance as a result of handcrafted variances in the final finishing step.

TIER 1



TIER 1

TIER 2



TIER 2

BALDWIN

Check out the Boulder, Palo Alto and Santa Monica large and small. Available in four styles, we have the pocket door lock for every design aesthetic. Baldwin offers these four styles in privacy, passage and keyed entry, in the highest quality; just what you expect from Baldwin. Unlock your design inspiration.





BALDWIN

BOULDER

The Boulder collection features rustic undertones, and is available in 20 finishes.



PD016.150.KC



PD016.150.KT



PD016.150.KE

PALO ALTO

The Palo Alto style blends soft lines with a contemporary flair. Available in 20 finishes.



PD007.150.KC



PD007.150.KT



PD007.150.KE

SANTA MONICA

The Santa Monica style puts a visual emphasis on vertical and horizontal lines, with a focus on pure geometry without sacrificing comfort. It's available in both Large and Small varieties in all 20 finishes.



PD005.150.KC



PD005.150.KT



PD005.150.KE



PD006.150.KC



PD006.150.KT



PD006.150.KE

POCKET DOOR LOCKS



BALDWIN DOOR HARDWARE is available in three distinct product portfolios with different finish selections, styles and levels of configurability. To find out more, visit our website and click on the “Compare Portfolios” button or use our lock designer and style selector tools to find the combination of Baldwin to fit your lifestyle.

BALDWIN®

19701 DA VINCI · LAKE FOREST · CALIFORNIA 92610

800.566.1986

BALDWINHARDWARE.COM

BALDWIN®

ESTATE™



CABINET & GENERAL HARDWARE PORTFOLIO 2016



BALDWIN®

Baldwin hardware is so much more than a timeless and trustworthy brand that creates a charismatic presence in any home. Baldwin is about creating a signature look that seamlessly blends Baldwin hardware with the personality of its owner, and showing the world what true luxury is really worth.

There is a way for every home to “OWN IT” with Baldwin. From our Prestige Series that offers affordable luxury to Reserve, which opens the door to customizable products that deliver lasting impressions, to Estate, our crown jewel that creates your own signature look, “OWN IT” with the best of Baldwin.

ESTATE™

When people say it's lonely at the top, they're definitely not talking about Baldwin Estate. Estate is quality that feels custom made, because it is. Our master craftsmen take their time to create each piece by hand and with the utmost care so you can create your own signature look with seemingly infinite possibilities and elegant finishes. And with options so beautiful, tasteful, well made, and inviting, it's no surprise that Estate is the crowned jewel of the Baldwin brand.



Classic Cabinet Knob



Palm Springs Knob
4970 (1.5")



Ring Deco Cabinet Knob
4445 (1") • 4446 (1.25") • 4447 (1.5")



Severin Fayerman Cabinet Knob
4453 (1.25")



Severin Fayerman Cabinet Knob
4455 (1.06")



Severin Fayerman Cabinet Knob
4456 (1.32")



Melon Cabinet Knob
4457 (1") • 4458 (1.2") • 4459 (1.5")



Dominion Cabinet Knob
4490 (1") • 4491 (1.25")

BRASS CABINET KNOBS



Deco Cabinet Knob
4493 (1.25") • 4494 (1.5")



Round Edinburgh Cabinet Knob
4629 (1.25") • 4630 (1.5")



Oval Edinburgh Cabinet Knob
4631 (1.25") • 4632 (1.5")



Couture Cabinet Knob
4635 (1.33")



Couture Cabinet Knob
4636 (1.27")



Rope Cabinet Knob
4645 (1.25") • 4646 (1.5")



Colonial Cabinet Knob
4650 (1") • 4655 (1.25") • 4660 (1.5")



Classic Cabinet Knob
4702 (.75") • 4704 (1") • 4706 (1.25")
4708 (1.5") • 4709 (1.75")



Oval Cabinet Knob
4910 (1.125") • 4913 (1.375") • 4939 (1.625")



Decorative Oval Cabinet Knob
4915 (1")



Ornamental Cabinet Knob
4929 (1") • 4931 (1.5") • 4932 (2")



Spherical Cabinet Knob
4960 (1") • 4961 (1.25") • 4968 (1.5")

BALDWIN



Palm Springs Cabinet Knobs & Pulls



Palm Springs Pull
4975 (3.75") • 4976 (6")



Severin Fayerman Cabinet Pull
4356 (3") • 4357 (4")



Severin Fayerman Cabinet Pull
4361 (3") • 4362 (4")



Severin Fayerman Cabinet Pull
4366 (3") • 4367 (4")



Couture Cabinet Pull
4371 (3") • 4372 (4")



Couture Cabinet Pull
4376 (3") • 4377 (4")



Cabinet Pull
4423 (3") • 4424 (4")



Melon Cup Pull
4464 (3")

BRASS CABINET PULLS



Oval Cabinet Pull
4479 (3") • 4480 (4")



Arch Cabinet Pull
4496 (3.75") • 4497 (5") • 4448 (6") • 4450 (8")



Spindle Cabinet Pull
4475 (2.5") • 4476 (3.75")



Cabinet Pull
4672 (3") • 4674 (3.5") • 4676 (4")



Dominion Cabinet Pull
4487 (3") • 4488 (3.5") • 4489 (4")



Cabinet Pull
4966 (3") • 4967 (3.5") • 4964 (4")



Edinburgh Cabinet Pull
4611 (3.5") • 4612 (4")



Deco Cabinet Pull
4436 (3") • 4437 (3.5") • 4438 (4")



Crystal Cabinet Knob
4300 (1") • 4301 (1.19") • 4302 (1.38")



Crystal Cabinet Knob
4308 (1.38")



Crystal Cabinet Knob
4304 (1.19") • 4305 (1.46")



Crystal Cabinet Knob
4326 (1") • 4327 (1.38") • 4328 (1.75")



Crystal Cabinet Knob
4317 (1") • 4318 (1.19") • 4319 (1.56")



Crystal Cabinet Knob
4354 (1.19")



Crystal Cabinet Knob
4323 (1.19") • 4324 (1.38") • 4325 (1.75")



Swarovski® Crystal Cabinet Knob
4332 (0.75") • 4334 (1.19") • 4336 (1.56")

CRYSTAL CABINET PULLS & CABINET BACK PLATES

CABINET PULLS



Crystal Cabinet Pull
4343 (3")



Crystal Cabinet Pull
4349 (3")

BACK PLATES



4613



4619



4900



4901



4902



4905

BALDWIN



*Severin Fayerman
Cabinet & Appliance Pulls*



Severin Fayerman Appliance Pull
4358 (8") • 4359 (12") • 4360 (18")



Severin Fayerman Appliance Pull
4363 (8") • 4364 (12") • 4365 (18")



Severin Fayerman Appliance Pull
4368 (8") • 4369 (12") • 4370 (18")



Couture Appliance Pull
4373 (8") • 4374 (12") • 4375 (18")



Couture Appliance Pull
4378 (8") • 4379 (12") • 4380 (18")



Palm Springs Appliance Pull
4980 (15") • 4981 (18")

BALDWIN



2540 (5.5") • 2552 (8")
• 2553 (10")



2556 (5.75") • 2557 (7")



2560 (5.5")



2564 (7")



2574 (8") • 2575 (10")



2576 (8") • 2578 (10")



2584 (7")



2585 (5.5")



2597 (8")



2598 (6")



2602 (6.5")



2604 (10")

DOOR PULLS



2617 (6.5")



2673 (6")



2674 (8")



2692 (6.5")



2693 (6.5")



2704 (5.75")



2908 (6.5")



5340 (7.75")



Colonial Knocker
0102 • 0103 (With Observascope)



Tahoe Knocker
0105



French Knocker
0106



Victorian Knocker
0110



"S" Knocker
0113



Imperial Knocker
0116



Ring Knocker
0195

PUSH PLATES



Rounded
2110 (3.5" x 15")
2115 (4" x 16")



Beveled Edge
2121 (3" x 12")



Scalloped
2275 (3.5" x 15")



Nashville
2280-81 (3.5" x 15")



San Francisco
2282 (2.25" x 11.875")



Bristol
2285 (2.75" x 10.875")



Colonial Switch Plate



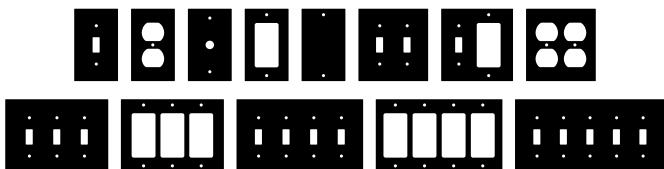
Colonial Switch Plate



Beveled Edge Switch Plate



Rope Switch Plate



**Not all configurations available in all styles.*



Square Corner

1030 (3") • 1035 (3.5") • 1040 (4") • 1045 (4.5")



Square Corner with Ball Bearings

1041 (4") • 1046 (4.5") • 1051 (5")



Radius Corner

1135 (3.5" x 0.625" R) • 1140 (4" x 0.625" R) • 1440 (4" x 0.25" R)



Ball
1080 • 1090



Urn
1091



Acorn
1092



Steeple
1083 • 1093



Observascopes
0155 • 0156



House Numbers
9067x



Letter Box Plates
0012 • 0014 • 0015 • 0017



Kick Plates
2000 • 2001

BELL BUTTONS



Beaded
4850



Round
4851



Oval
4852



Rectangular
4853



Victorian
4857



Oval
4858



PULLS



Flush Ring
0392 (1.25" x 1.25")
0393 (1.625")
0394 (1.875" x 2.5")



Flush Ring
0395 (2.5" x 3.5")



Flush Pull
0458



Edge Pull
0465



Sash Lift
0470

DOOR STOPS



4000 (1" H)
4005 (1.25" H)
4010 (1.375" H)



4015 (0.5625" PROJ)
4252 (1" PROJ)



4045 (3" PROJ)
4055 (3.75" PROJ)
4155 (3.4" PROJ)



4293 (2.375" DIA)
4273 (1.75" DIA)

ROBE HOOKS



0740



0742



0781



0782

SURFACE BOLTS



0321 (3") • 0322 (4") • 0324 (6")



0344 (4") • 0346 (6") • 0370 (8")



0378 (4") • 0379 (6") • 0380 (8") • 0381 (12") • 0382 (18") • 0383 (24")

CREMONE BOLTS



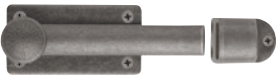
Standard
8105



Ornamental
8106



Contemporary
8107



Heavy Duty Dutch Door Bolt
0345



Flush Bolt
0626

FASTENERS & LOCKS



Door Guard
0250



Chain Fastener
0260



Adjustable Ball Catch
0425 • 0426



Sash Lock
0452



Casement Fasteners
0491 – 0493 (1.65")
0494 – 0496 (2.0625")



Swivel Door Hook
0950 (2.5") • 0951 (3.5")
• 0952 (5.5")





Edinburgh Cabinet Knobs & Pulls



Dominion Cabinet Knobs & Pulls

AT BALDWIN, we believe that quality should never be a compromise. From using the finest materials to crafting our hardware by hand, we are committed to creating high-quality hardware that not only looks beautiful and flawless but also endures the rigors of time.

BALDWIN[®]

19701 DA VINCI · LAKE FOREST · CALIFORNIA 92610

800.566.1986

BALDWINHARDWARE.COM

BALDWIN®

ESTATE™



SANTA MONICA

PORTFOLIO 2014

BALDWIN

OWN IT.

CALIFORNIA
INSPIRED,
SLEEK,
CONTEMPORARY,
DESIGN

FPO

Introducing Baldwin's newest addition to its best-selling Estate portfolio, the **SANTA MONICA**.

Developed exclusively by Baldwin's renowned in-house team of designers, Santa Monica is stunning in its simplicity and clarity of form, and puts a visual emphasis on vertical and horizontal lines with a keen focus on pure geometry without sacrificing comfort. Its multi-point design appeals to a variety of applications and the depth of roses and levers provide maximum design flexibility. Santa Monica is available in five levers, four rosettes, one handle set available in both mortise and multi point options, and one square deadbolt with single and double configurations.

Each piece boasts the Baldwin quality and craftsmanship and is made of solid brass and available in 20 different finishes*. The brand's unmatched heritage of design and quality forms the perfect backdrop to this striking new offering. Unparalleled quality, dedication to the details, and a touch of artistry make Santa Monica distinctively Baldwin.

Baldwin hardware is so much more than a timeless and trustworthy brand that creates a, charismatic presence in any home. Baldwin is for those who "own it" with unparalleled confidence. It's about creating a signature look that seamlessly blends Baldwin hardware with the personality of its owner. No limits. No boundaries. Baldwin is about more than just having something special, it's about owning it and showing the world what true luxury is really worth. **BALDWIN. OWN IT.**

*For product and finish availability visit
Baldwinhardware.com



5173.150



L023.150



L020.150



8220.150



L021.150



8221.150



L022.150

Unless noted, entrance styles that begin with an 8 are for tubular preparation.



Santa Monica™ Lever Set
6915.150 w/L022 Lever



Santa Monica™ Multi-Point
MP005.150 w/L022 Lever



Santa Monica™ Lever Set
6915.150 w/L023 Lever



Santa Monica™ Multi-Point
MP005.150 w/L022 Lever

BALDWIN®

19701 DA VINCI · LAKE FOREST · CALIFORNIA 92610

800.566.1986

BALDWINHARDWARE.COM

BALDWIN®

RESERVE™



2016 POCKET PORTFOLIO

BALDWIN



For 70 years Baldwin Hardware has been a timeless and trustworthy brand that creates a charismatic presence in any home. Baldwin is about creating a signature look with more than just having something special. It's about owning it and showing the world what true luxury is really worth.

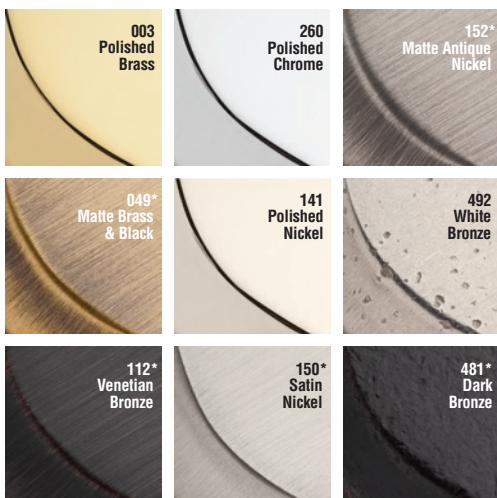
There is a way for every home to “OWN IT” with Baldwin. From our Prestige Series that offers affordable luxury to Reserve, which opens the door to customizable products that deliver lasting impressions, to Estate, our crown jewel that creates your own signature look, you too can “OWN IT” with the best of Baldwin.



RESERVE™

The Reserve portfolio is for people looking for more ways to express themselves with the distinctive look of Baldwin and find value in a company with 70 years of experience and a bona fide commitment to greater quality. Far beyond just a lock in a box, Reserve opens the door to a customizable world flowing with inspiration. And it's all ready to go whenever inspiration strikes because its ready to ship in just 7 days. Leave a lasting impression with Reserve. Available in nine finishes; four are custom finishes for Reserve.

FINISHES



*HAND-RELIEVED FINISHES

TRADITIONAL



Elizabeth Handleset Matte Antique Nickel Finish

HANDLESETS



Chesapeake
with Curve Lever



Columbus
with Ellipse Knob



Del Mar
with Curve Lever

HANDLESETS



Elizabeth
with Decorative Lever



Napa
with Round Knob



New Hampshire
with Traditional Knob



Westcliff
with Decorative Lever

TRADITIONAL

DEADBOLTS



Traditional Round Deadbolt



Traditional Square Deadbolt



Traditional Arch Deadbolt

KNOBS



Crystal
*with Traditional
Square Rose*



Ellipse
*with Traditional
Round Rose*



Round
*with Traditional
Square Rose*

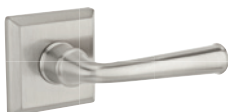


Traditional
*with Traditional
Arch Rose*

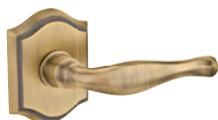
LEVERS



Curve
*with Traditional
Round Rose*

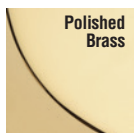


Federal
*with Traditional
Square Rose*

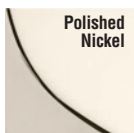


Decorative
*with Traditional
Arch Rose*

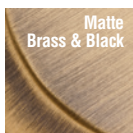
FINISHES



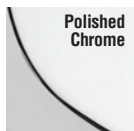
**Polished
Brass**



**Polished
Nickel**



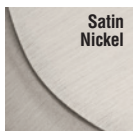
**Matte
Brass & Black**



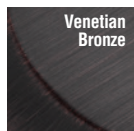
**Polished
Chrome**



**Matte
Antique Nickel**



**Satin
Nickel**



**Venetian
Bronze**



Seattle Handleset Polished Chrome Finish

HANDLESETS



La Jolla
with Contemporary Knob



Miami
with Tube Lever

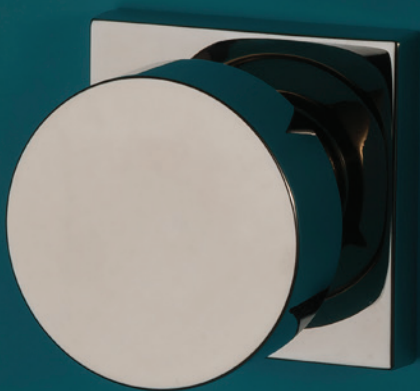


Seattle
with Square Lever



Santa Cruz
with Square Lever

Additional Knob, Lever, And Rose Options Available



Contemporary Knob with Contemporary Square Rose



DEADBOLTS



Contemporary Round Deadbolt



Contemporary Square Deadbolt

KNOBS



Contemporary
*with Contemporary
Square Rose*

LEVERS

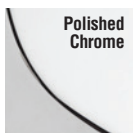


Tube
*with Contemporary
Round Rose*

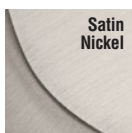


Square
*with Contemporary
Square Rose*

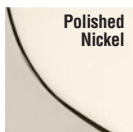
FINISHES



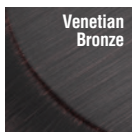
**Polished
Chrome**



**Satin
Nickel**



**Polished
Nickel**



**Venetian
Bronze**

RUSTIC



Longview Handleset Dark Bronze Finish

HANDLESETS



Adirondack
with Rustic Knob



Cottonwood
with Rustic Knob



Elkhorn
with Arch Lever

Additional Knob, Lever, And Rose Options Available

HANDLESETS



Fairbanks
with Taper Lever



Kodiak
with Arch Lever

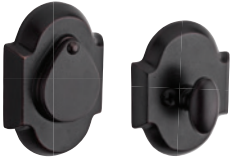


Longview
with Taper Lever

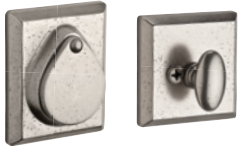
RUSTIC

Additional Knob, Lever, And Rose Options Available

DEADBOLTS



Rustic Arch Deadbolt



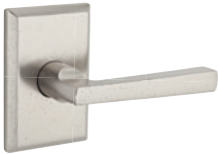
Rustic Square Deadbolt

KNOBS



Rustic Knob
with Rustic Square Rose

LEVERS



Taper Lever
with Rustic Square Rose



Arch Lever
with Rustic Arch Rose

FINISHES

ACCESSORIES



Contemporary Knocker, Rectangular Bell Button, And Seattle Handleset. Polished Chrome Finish.

DOOR KNOCKERS



S



Contemporary



Ring

BELL BUTTONS



Oval



Rectangular



Arch



Consult Dealer for finish availability

DOOR ACCESSORIES



Flush Bolt



Edge Pull



Observascope



Ball Catch



6" Surface Bolt



4" Surface Bolt

WINDOW HARDWARE



Flush Pull



Sash Lift



Sash Lock

DOOR STOPS



Rigid



Floor Bumper



Wall Bumper

HINGES



Square 3.5"



1/4" Radius 3.5"



5/8" Radius 3.5"



Square 4"



1/4" Radius 4"



5/8" Radius 4"



Hinge Pin Door Stop

Can only be used with Reserve hinges

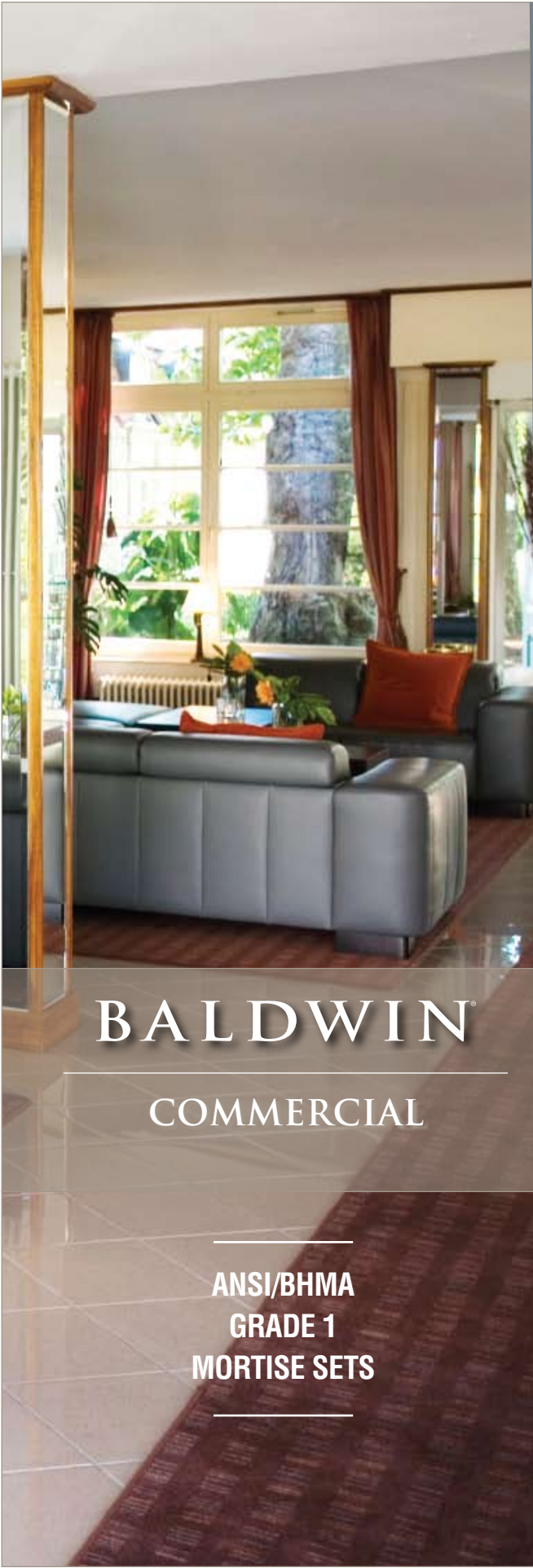
Consult Dealer for finish availability

BALDWIN®

19701 DA VINCI · LAKE FOREST · CALIFORNIA 92610

800.566.1986

BALDWINHARDWARE.COM



BALDWIN

COMMERCIAL

**ANSI/BHMA
GRADE 1
MORTISE SETS**



Lakeshore Entrance Set - 6974



THE WORLD'S MOST EXTENSIVE

CONTENTS

3-5	INTRODUCTION
6-7	ESCUTCHEON SETS
8-11	LEVERS
12	ESCUTCHEON TRIMS -or- ROSES
12	TURN KNOBS/PIECES & CYLINDER COLLARS
13	FINISHES
14	MORTISE FUNCTIONS

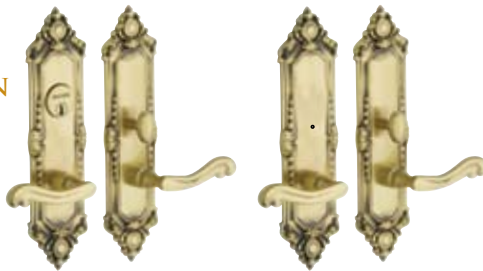
BALDWIN



SUITE OF LUXURY COMMERCIAL HARDWARE.

ESCUTCHEON SETS

Escutcheon,
Lever
& Turn knob



ENTRY

PRIVACY

SECTIONAL SETS

Rose, Lever,
Cylinder collar
& Turn piece



BALDWIN, THE “FOUNDER OF LUXURY HARDWARE IN AMERICA,” is widely recognized for a comprehensive breadth of line and legacy of superior craftsmanship — having been awarded “Best Quality” thirteen years running by *Builder* magazine’s *Brand Use Study*.

With more than sixty years as the leader of upscale residential hardware, Baldwin now offers a Grade 1 solution for ANY commercial application.

- > ANSI/BHMA OPERATIONAL & SECURITY GRADE 1-RATED MORTISE SET
- > THROUGH-BOLTED ESCUTCHEONS & ROSES
- > 32 LEVER STYLES
- > 11 ESCUTCHEON TRIMS
- > 15 ROSES
- > 6 TURN PIECE & CYLINDER COLLAR STYLES
- > 22 BALDWIN FINISHES



Baldwin has established an industry leading through-bolt platform for entrance and sectional set products.

BENEFITS:

- > First true high-end decorative trim provider for “heavy-duty” door openings
- > Fully pre-assembled and box set platform for quick installations
- > Innovative attachment method for superior lever attachment
- > ANSI/BHMA A156.13 Certified trim and mortise lock system
- > Mix & match levers, trim, turn knobs and finish options for a unique look
- > Full line of “heavy-duty” Grade 1 mortise functions

Mortise Box Specification:

Lock Case:	Heavy Gauge Steel
Backset:	2 ½” and 2 ¾”
Dead bolt:	Brass – with Hardened Steel Inserts 1” Throw
Latch bolt:	Brass/Stainless – Anti Friction Type ¾” Throw
Armor Front:	1 ¼” x 8” Wrought brass, bronze, stainless steel
Strikes:	Flat standard, curved and long lip strikes available
UL:	UL- 3 hour Fire Rate
Other:	3.625” lever hub to cylinder center spacing
NOTE:	Designed with 8mm on the square broached levers to meet ANSI/BHMA A156.13 test standards
Power Pack:	Internal power pack prevents lever sag and provides quality feel





ESCUTCHEON SET



- INCLUDES:**
- > Inside & Outside Assemblies,
2 Levers & 2 Through-bolted Escutcheons
 - > Turn Knob
 - > Mortise Box
 - > Cylinder (optional)

SECTIONAL SET



- INCLUDES:**
- > Inside & Outside Assemblies,
2 Levers & 2 Through-bolted Roses
 - > Turn Piece
 - > Mortise Box
 - > Cylinder Collar
 - > Cylinder (optional)

BALDWIN ESCUTCHEON SETS



Lakeshore



Detroit



Fenwick

INCLUDES:

- > Inside & Outside Assemblies,
2 Levers & 2 Through-bolted Escutcheons
- > Turn Knob
- > Mortise Box
- > Cylinder (optional)



Houston



Atlanta



Boulder

BALDWIN



Westminster



Republic



Stanford



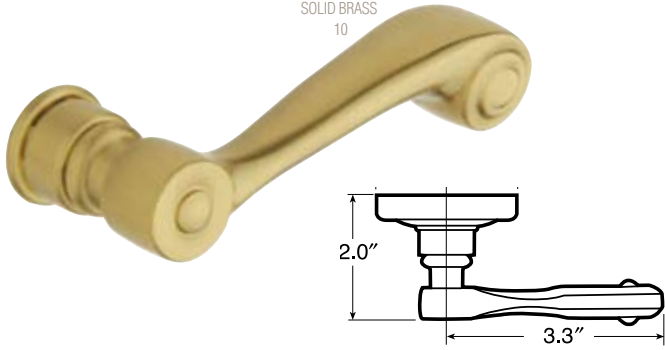
Bristol



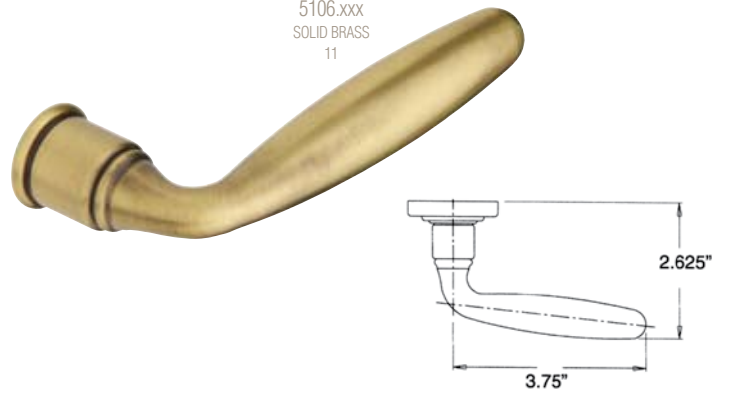
Wilmington

BALDWIN LEVERS

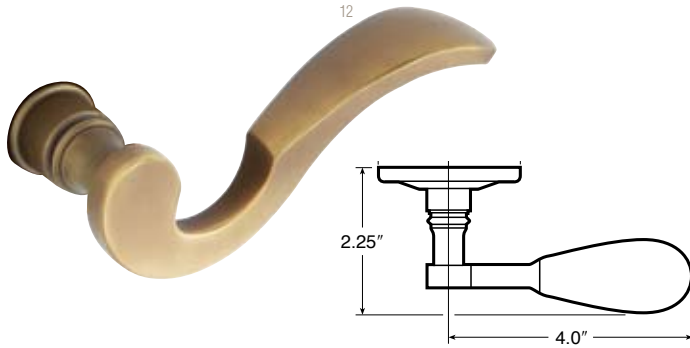
5103.xxx
SOLID BRASS
10



5106.xxx
SOLID BRASS
11



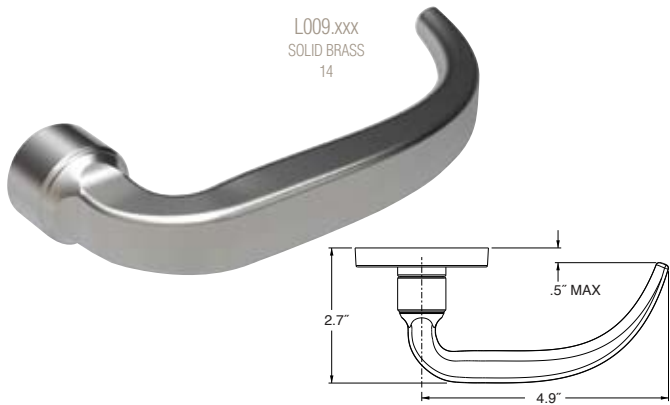
5152.xxx
SOLID BRASS
12



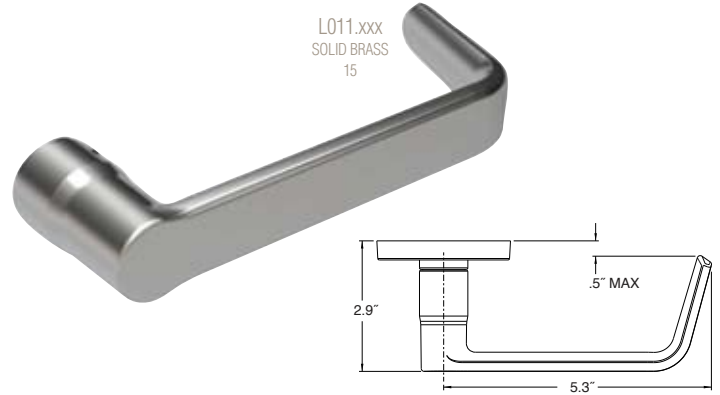
5190.xxx
SOLID BRASS
13



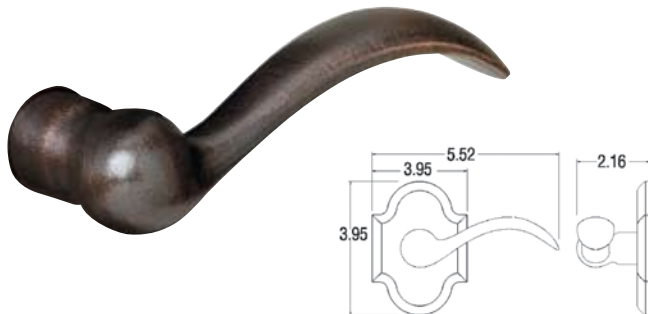
L009.xxx
SOLID BRASS
14



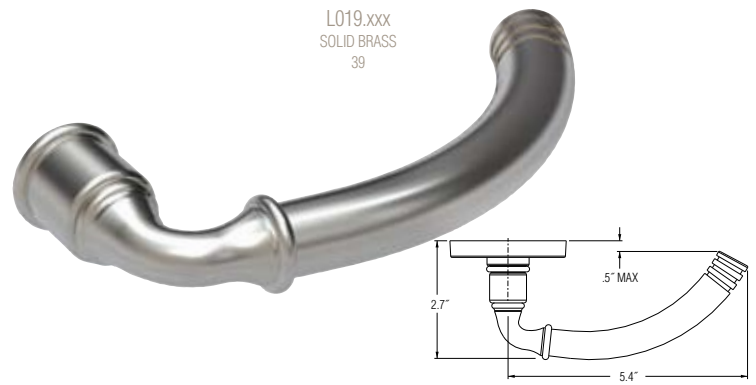
L011.xxx
SOLID BRASS
15



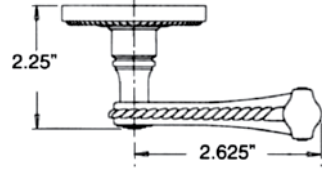
5452.xxx
SOLID BRASS
16



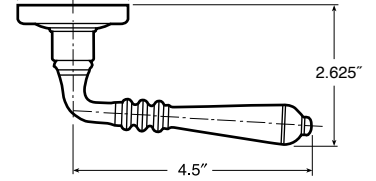
L019.xxx
SOLID BRASS
39



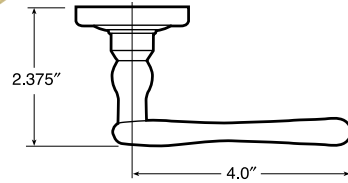
5104.xxx
SOLID BRASS
17



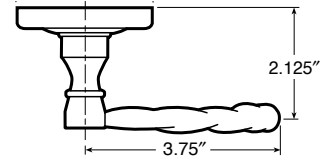
5107.xxx
SOLID BRASS
18



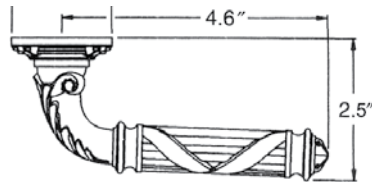
5108.xxx
SOLID BRASS
19



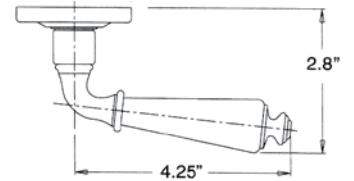
5121.xxx
SOLID BRASS
20



5122.xxx
SOLID BRASS
21

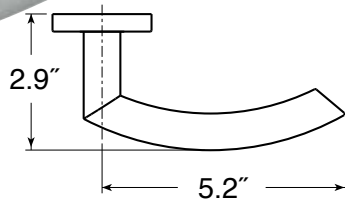


5125.xxx
SOLID BRASS
22



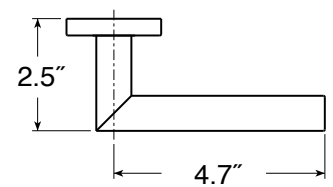
STAINLESS STEEL LEVER
FINISHES AVAILABLE: 320, 324

5172S.xxx
STAINLESS STEEL
40



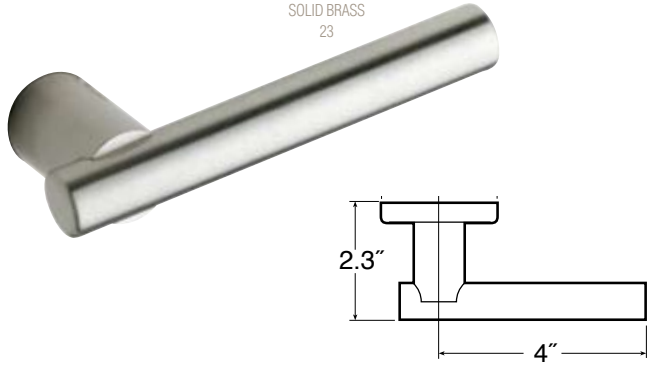
STAINLESS STEEL LEVER
FINISHES AVAILABLE: 320, 324

5173S.xxx
STAINLESS STEEL
41

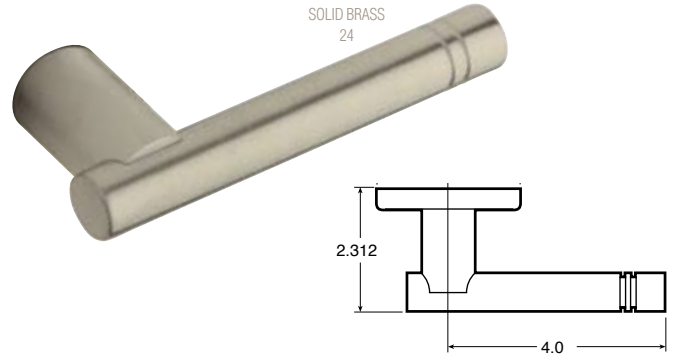


BALDWIN LEVERS

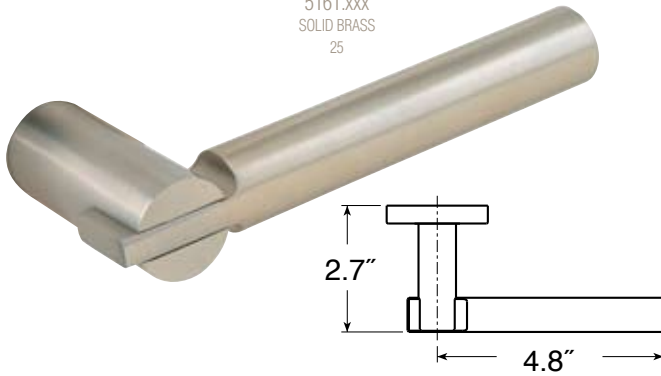
5137.xxx
SOLID BRASS
23



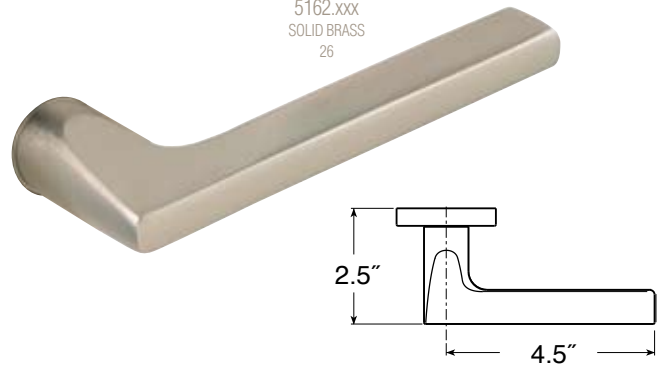
5138.xxx
SOLID BRASS
24



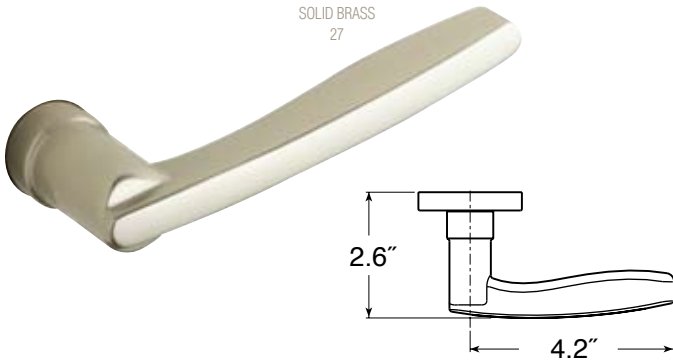
5161.xxx
SOLID BRASS
25



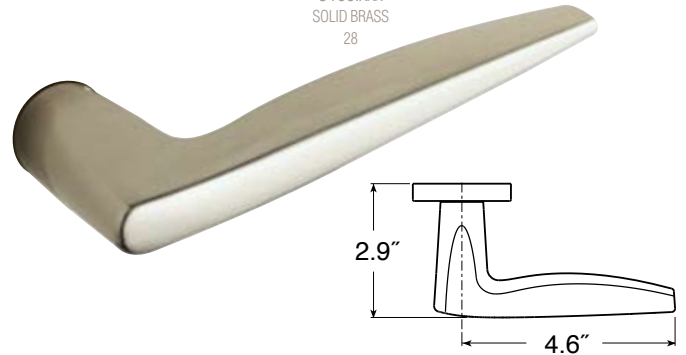
5162.xxx
SOLID BRASS
26



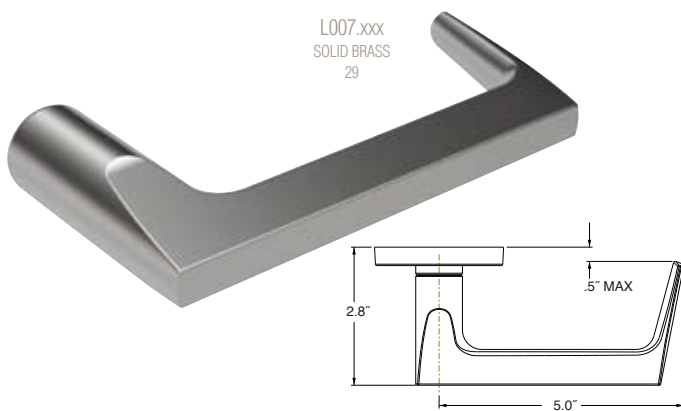
5164.xxx
SOLID BRASS
27



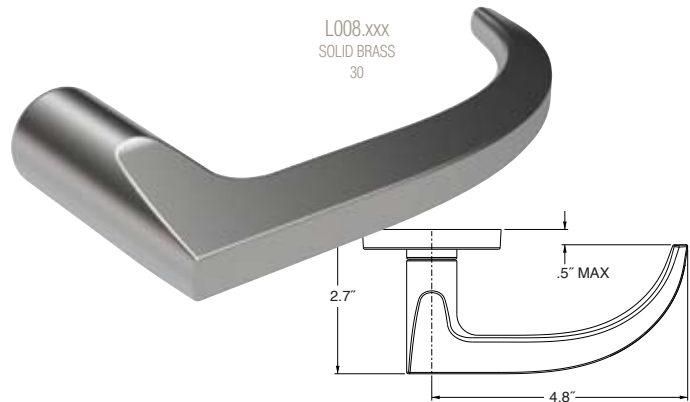
5166.xxx
SOLID BRASS
28



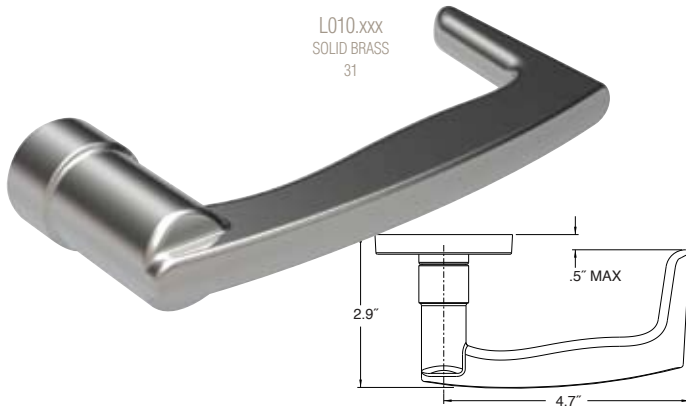
L007.xxx
SOLID BRASS
29



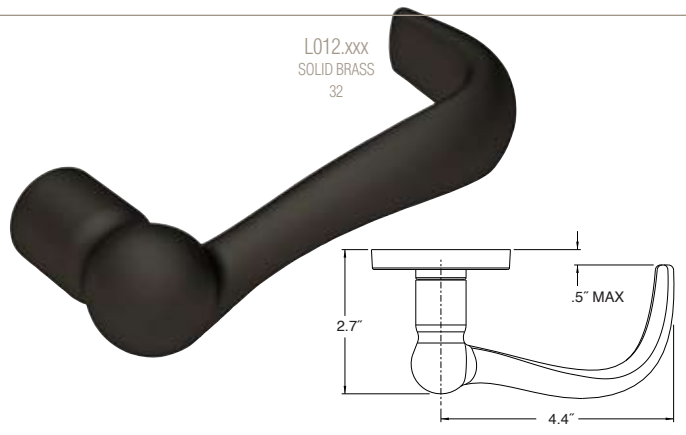
L008.xxx
SOLID BRASS
30



L010.xxx
SOLID BRASS
31



L012.xxx
SOLID BRASS
32



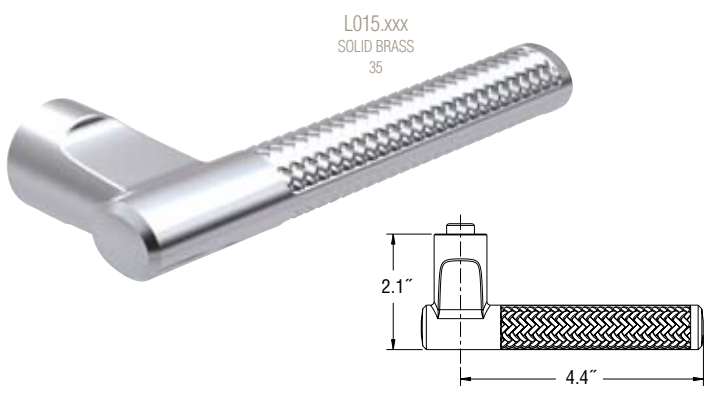
L013.xxx
SOLID BRASS
33



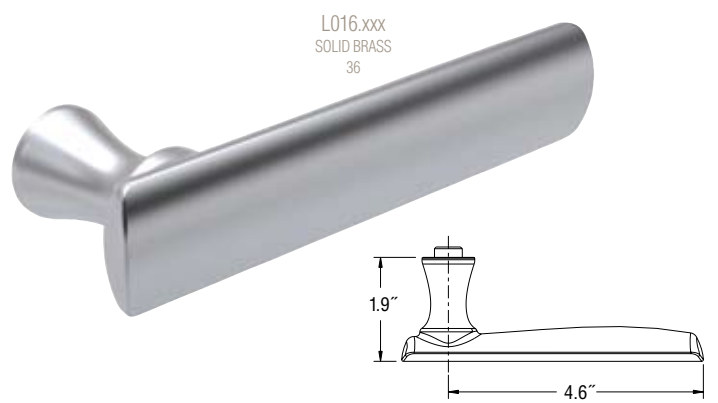
L014.xxx
SOLID BRASS
34



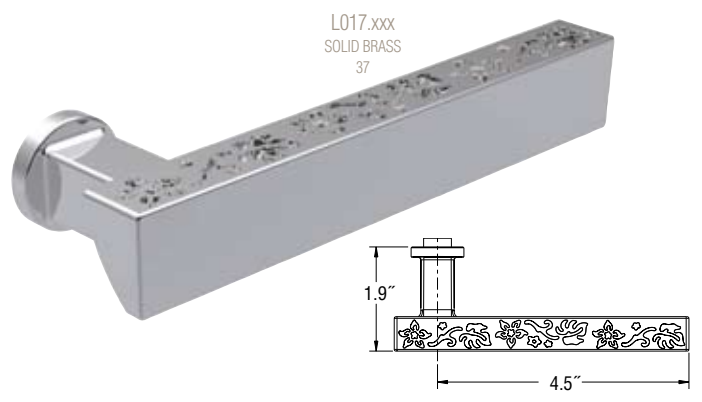
L015.xxx
SOLID BRASS
35



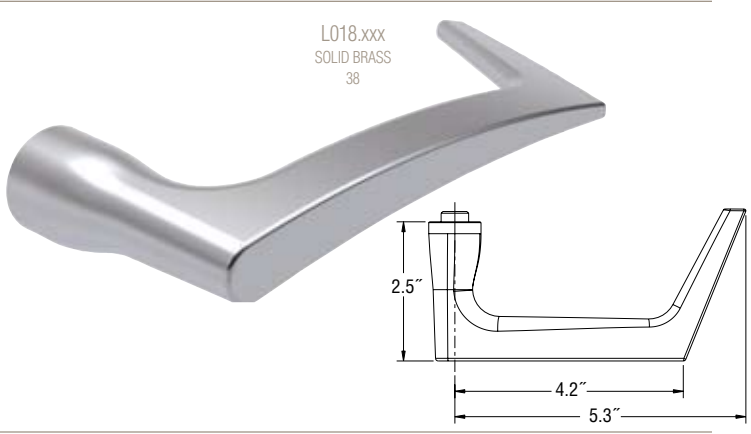
L016.xxx
SOLID BRASS
36



L017.xxx
SOLID BRASS
37



L018.xxx
SOLID BRASS
38



BALDWIN ESCUTCHEONS



Detroit - 6503
Trim thickness: .45"



Atlanta - 6512
Trim thickness: .375"



Wilmington - 6795
Trim thickness: .3125"



Stanford - 6791
Trim thickness: .6875"



Bristol - 6420
Trim thickness: .275"



Republic - 6796
Trim thickness: .75"



Westminster - 6790
Trim thickness: .3125"



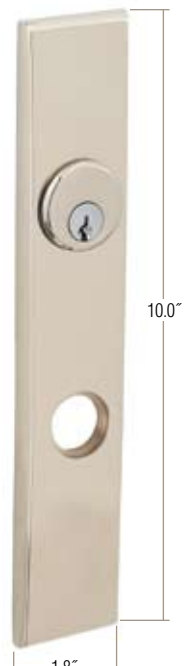
Fenwick - 6789
Trim thickness: .435"



Boulder - 5350
Trim thickness: .53"

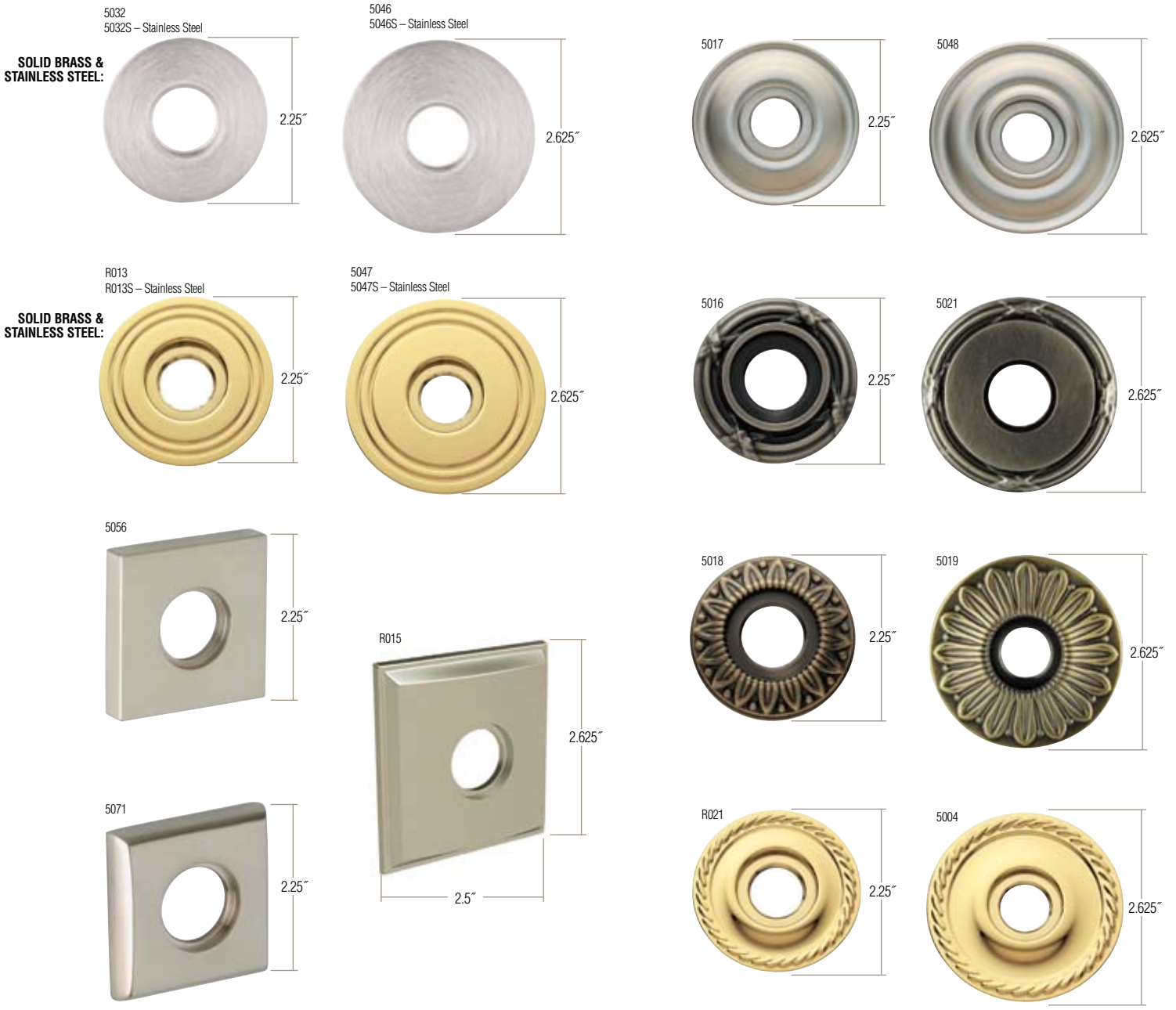


Houston - 6506
Trim thickness: .435"



Lakeshore - 6502
Trim thickness: .4"

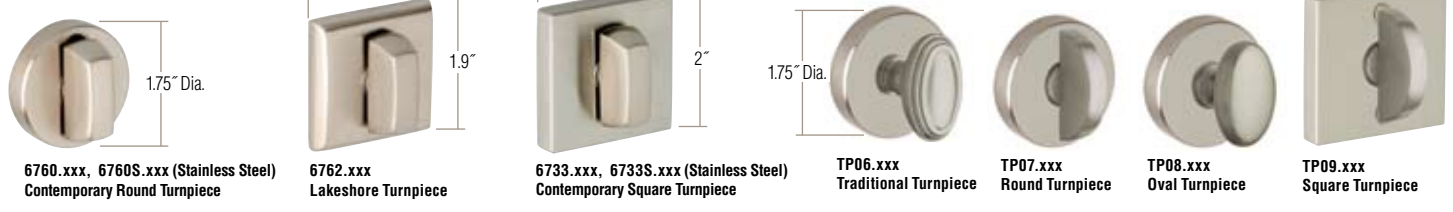
BALDWIN ROSES




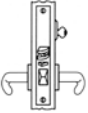
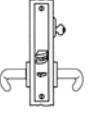
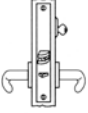
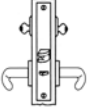
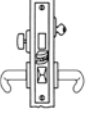
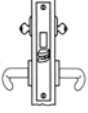
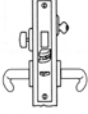



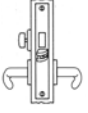
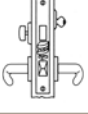
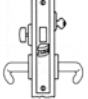
CYLINDER COLLARS



TURN PIECES



BALDWIN GRADE 1 MORTISE FUNCTIONS

Inside/Outside	Item#/Backsets	Function	ANSI #	Description
	HDF01 2.75" & 2.5"	PASSAGE or CLOSET	F01	– Latch bolt by lever either side at all times.
	HDF04 2.75" & 2.5"	CLASSROOM, ENTRANCE or OFFICE	F04	– Latch bolt by lever either side except when outside lever is fixed. – When outside lever is locked, latch bolt is retracted by key outside or by inside lever. – Auxiliary dead latch.
	HDF05 2.75" & 2.5"	CLASSROOM	F05	– Latch bolt by lever either side, unless outside grip is locked by key outside. – Auxiliary latch deadlocks Latch bolt. – Inside grip always free.
	HDF07 2.75" & 2.5"	STOREROOM or CLOSET	F07	– Latch bolt by lever inside or by key outside. – Outside lever always rigid. – Auxiliary dead latch.
	HDF09 2.75" & 2.5"	ENTRANCE or PUBLIC RESTROOM	F09	– Latch bolt by lever either side, except when outside lever locked by key from inside. – When outside lever is locked, latch bolt is retracted by key outside or by operating inside lever. – Auxiliary dead latch.
	HDF12 2.75" & 2.5"	ENTRANCE or APARTMENT	F12	– Latch bolt by lever either side, except when outside lever is fixed. – Dead bolt projected by key outside and turn inside. – Dead bolt retracted by key outside and turn inside. – Inside lever retracts both bolts and outside remains locked.
	HDF14 2.75" & 2.5"	STOREROOM	F14	– Latch bolt by lever from either side. – Dead bolt by key from either side.
	HDF15 2.75" & 2.5"	HOTEL or MOTEL	F15	– Latch bolt by key from outside or by inside lever. – Outside lever always fixed. – Dead bolt projected by turn from inside and all keys except emergency and display key are shut out. – Operating inside lever retracts both bolts. – Auxiliary dead latch. Indicator button when specified.
	HDF16 2.75" & 2.5"	KEY X KEY DEADLOCK	F16	– Dead bolt by key from either side.
	HDF17 2.75" & 2.5"	KEY X TURN DEADLOCK	F17	– Dead bolt by key from outside and turn from inside.
	HDF18 2.75" & 2.5"	SINGLE KEY DEADLOCK	F18	– Dead bolt by key from outside only.
	HDF19 2.75" & 2.5"	PRIVACY, BEDROOM or BATHROOM	F19	– Latch bolt by lever either side. – Dead bolt by turn inside and emergency release outside. – Operating inside lever retracts both bolts.
	HDF20 2.75" & 2.5"	ENTRANCE or APARTMENT	F20	– Latch bolt by lever either side, except when outside lever fixed. – Dead bolt by key outside or turn inside. – Key outside operates both bolts. – Operating inside lever retracts both bolts and outside remains locked. – Latch bolt is deadlocked when outside lever is fixed or when dead bolt is projected. When dead bolt is retracted, lever is unlocked.
	HDF21 2.75" & 2.5"	DORMITORY ENTRANCE or STOREROOM	F21	– Latch bolt by lever either side. – Dead bolt by key outside, turn inside

Suffix indicates Handing & Backset

	2.75"	2.5"
Right hand Lever Strength	.ARLS	.BRLS
Left hand Lever Strength	.ALLS	.BLLS
Right hand Reverse bevel Lever Strength	.ARRLS	.BRRLS
Left hand Reverse bevel Lever Strength	.ALRLS	.BLRLS

NOTE: Swivel spindles included with all Grade 1 Mortise Locks, except HDF11 Passage (Straight spindles included)
Deadlocks do NOT require spindles

Example:

HDF09.003.ARLS

Function Finish Handing & Backset

Entrance Lock (F09) in Lifetime Polished Nickel

Baldwin ANSI/BHMA Mortise Locks designed to be used with Emhart cam.

Please see below table for Baldwin and other leading cylinder products:

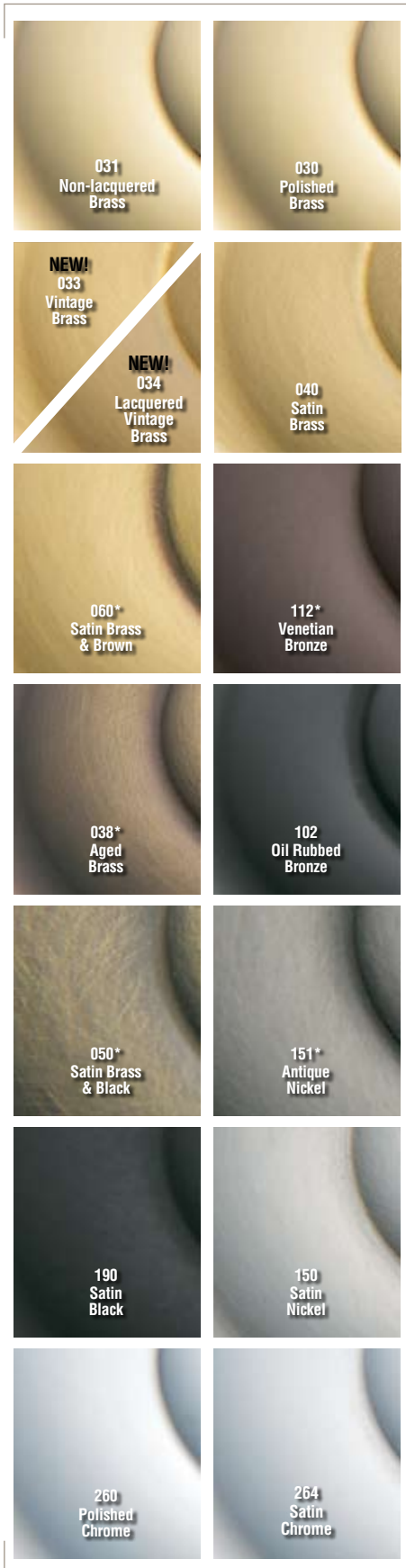
COMPANY	CLOVER LEAF COMPATIBLE PRODUCT
Baldwin:	8321.xxx.EMHT (5-pin cylinder) 8322.xxx.EMHT (6-pin cylinder) or purchase 8300.028.EMHT cam to retrofit existing cylinder inventory 002
Arrow:	
Interchangeable Core	
Best:	C161
Corbin:	A01
Kaba Ilco:	19
Medeco:	CT-Z00
Sargent:	13-0921
Schlage:	B520-233
Schlage I/C:	B520-253
Schlage Primus:	B520-309

NOTE: WHEN ORDERING CYLINDERS.

All HD-series heavy duty commercial mortise locks require a special Baldwin cylinder.

BALDWIN FINISHES

TIER 1



TIER 1

TIER 2



TIER 2

TIER 1 FINISHES: STAINLESS STEEL HARDWARE ONLY



DISTRESSED FINISHES:

Not all hardware is available Distressed.

The rugged tumbling process would damage some components.

In cases where distressing is not possible, the equivalent non-distressed finish will be provided.

412 = 112

402 = 102

452 = 152 Antique Nickel with Matte lacquer (151 has gloss lacquer)

Hardware NOT available distressed includes:

- > All mortise locks, cylinders, latches, strikes

*HAND-RELIEVED FINISH VARIANCES:

(038, 050, 060, 112, 151, 412, 452)

Product finishes which are HAND RELIEVED may vary in luster, hue and appearance as a result of handcrafted variances in the final finishing step.

Baldwin #	US #	BHMA #
030 =	3	605
031 =	3NL	—
040 =	4	606
050 =	5	609
060 =	6	608
102 =	10B	613
150 =	15	619
190 =	19	622
260 =	26	625
264 =	26D	626
324 =	32D	630

BALDWINHARDWARE.COM

BALDWIN

19701 DA VINCI . LAKE FOREST . CALIFORNIA . 92610 . 800-437-7448 . BALDWINHARDWARE.COM

BALDWIN®

Make a Statement.



EUROPEAN
MORTISE TRIM





BALDWIN LUXURY AROUND THE WORLD

● US & CANADA

SHERATON SAN DIEGO HOTEL & MARINA, CALIFORNIA, USA
 JOHN LAING HOMES, COLORADO, USA
 RITZ CARLTON VAIL, COLORADO, USA
 WARWICK HOTEL, NEW YORK, USA
 LENNOX CONDOMINIUMS, CALIFORNIA, USA
 JACKIE KENNEDY ONASSIS MARTHA'S VINEYARD HOME, MASSACHUSETTS, USA
 RITZ CARLETON, MONTREAL, CANADA
 MISSION CREEK RESIDENTIAL, KELOWNA, CANADA
 KILGOR ESTATES, TORONTO, CANADA

● LATIN AMERICA

PARQUE 84, BOGOTA, COLUMBIA
 LAS VILLAS DE MEXICO, CABO SAN LUCAS, MEXICO
 NOVO CANCUN, CANCUN, MEXICO
 CITADEL TOWER, GUADALAJARA, MEXICO
 CAPELLA RESORT & SPA, IXTAPA, MEXICO
 BOSQUES GOLF CLUB, MEXICO CITY, MEXICO
 JW MARRIOTT, SAN JUAN, PUERTO RICO
 CAP CANA, PUNTA CANA, DOMINICAN REPUBLIC
 FOUR SEASONS, JUANACASTE, COSTA RICA
 BALTICA LUXURY APARTMENTS, GUATEMALA CITY, GUATEMALA
 BOTANIK SPA, PÉTION-VILLE, HAITI
 GRAND HILTON, GRAND CAYMAN, B.W.I.

● ASIA PACIFIC AND COASTLINE

THE FOUR SEASONS HOTEL, JAKARTA, INDONESIA
 SELANDRA APARTMENTS, JAKARTA, INDONESIA
 KEMPENSKI RESIDENCE, JAKARTA, INDONESIA
 PAKUBUWONO RESIDENCE, JAKARTA, INDONESIA
 PACIFIC PLACE RESIDENCE, JAKARTA, INDONESIA
 THE ASTORIA, SINGAPORE
 KELAB GOLF SULTAN ROYAL RESIDENCE, SHAH ALAM, MALAYSIA
 KUANTAN BUNGALOWS, KUALA LUMPUR, MALAYSIA
 ROYAL RESIDENCE PALACE, JERUDONG, BRUNEI
 CULLINAN (UNION SQUARE), HONG KONG
 Q HOUSE VILLAS, THAILAND
 CELESTIAL HEIGHTS, HONG KONG
 SHIMAO RIVIERA GARDEN, SHANGHAI, CHINA
 THE FOUR SEASONS HOTEL, SHANGHAI, CHINA

● EUROPE, MIDDLE EAST AND AFRICA

RALPH LAUREN POLO STORE, AMSTERDAM
 FITZPATRICK'S PLACE, DUBLIN, IRELAND
 NILE HOTEL, CAIRO, EGYPT
 MEENA PALACE, DUBAI, UAE
 QASAR AL SARAB, ABU DHABI, UAE
 PRIVATE RESIDENCE, TANZANIA
 ABDOUN PALACES, AMMAN, JORDAN
 PEARL MANSION, QATAR



L013.050

TABLE OF CONTENTS

EUROPEAN MORTISE TRIM	4
ALTERNATIVE LEVERS	6
ALTERNATIVE KNOBS	8
HOW TO ORDER	9



EUROPEAN MORTISE TRIM

72mm & 85mm center-to-center . Available in all Estate finishes . Solid brass

Trim ships with levers shown below unless ordered without lever . Mix and match with any Estate lever or knob

Entrance (Active) . Passage . Patio . Dummy (Full Inactive) . Half-Inactive



Archetypes trim available in 72 mm & 85 mm, please call for a quote.

VILLA



KENSINGTON
MP003.112
Lever: 5108

BISMARK
MP002.102
Lever: 5152

SPRINGFIELD
MP001.003
Lever: 5455

CONCORD
MP004.056
Lever: 5445

LAKESHORE
MP013.260
Lever: 5162

CODY
MP015.452
Lever: 5462

BOULDER
MP016.412
Lever: 5462

RICHLAND
MP011.412
Lever: 5190

BRISTOL
MP009.056
Lever: 5104

ALTERNATIVE LEVERS — FOR EUROPEAN MORTISE TRIM

MP001 Springfield
MP002 Bismark
MP003 Kensington
MP004 Concord
MP009 Bristol
MP011 Richland
MP013 Lakeshore
MP015 Cody
MP016 Boulder

MP002 Bismark

CHOOSE Euro Mortise Trim (WITHOUT LEVERS)

+

CHOOSE ANY Lever or Knob

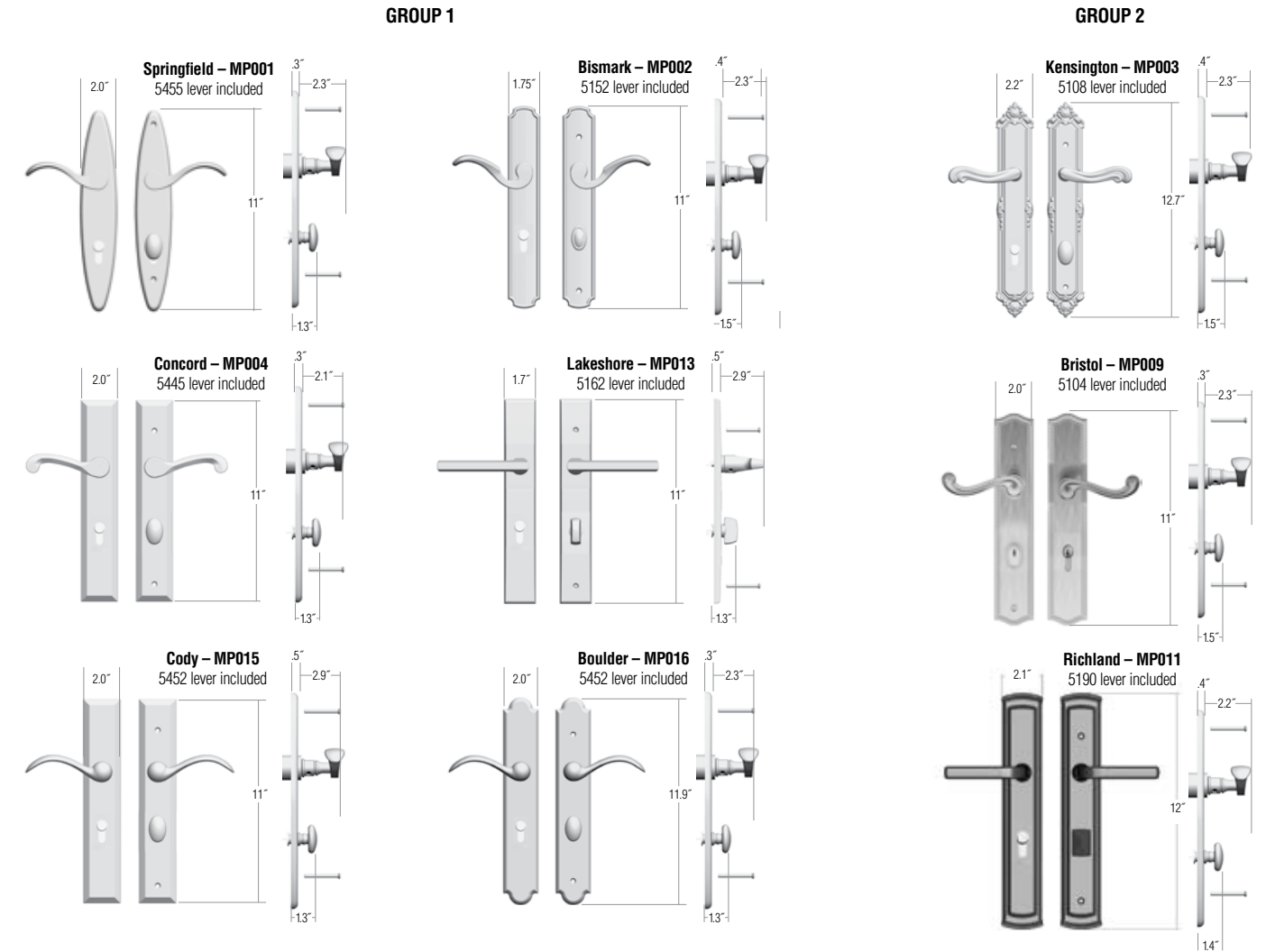
=

YOUR OWN TRIM & LEVER COMBINATION



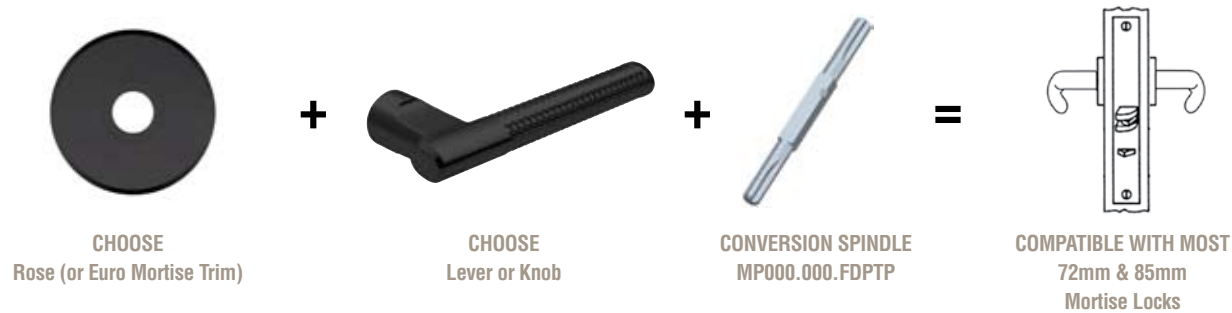


STEP 1: SELECT TRIM



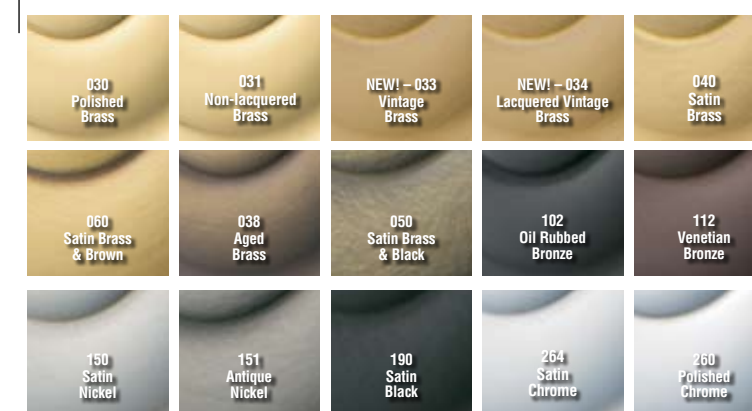
STEP 2: SELECT FINISH

SECTIONAL LEVERS & KNOBS FOR EUROPEAN MORTISE — utilize the **BALDWIN EUROPEAN CONVERSION SPINDLE**

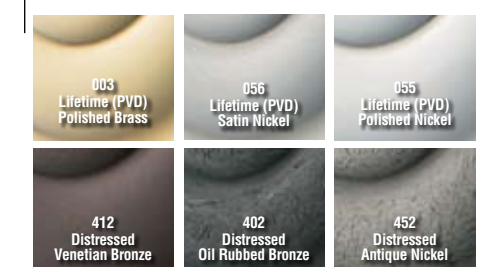


NOTE: Sectional Roses for interiors only, Passage & Dummy (Sectional Entrance Cylinder Collars available Spring 2010)

TIER 1 FINISHES



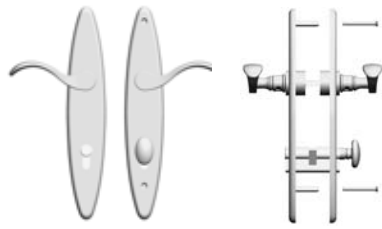
TIER 2 FINISHES



STEP 3: SELECT FUNCTION

Set includes Mortise Trim, Levers or Knobs and Cylinders (where applicable)

ACT7 – Entrance Mortise Cylinder



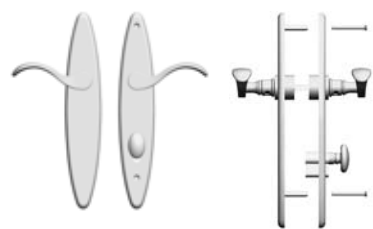
FDP7 – Passage



FD7 – Full Inactive



PAT7 – Patio



FUNCTION KEY

ACT	Entry, keyed w/ turnknob (supplied w/ cylinder for 44.45 mm door thickness)
FDP	Passage, active, no cylinder or turnknob
FD	Inactive, non-keyed
PAT	Patio, non-keyed

**Bismark, Boulder, Cody, Concord,
Lakeshore, Springfield**

Kensington, Bristol, Richland

FUNCTION	Bismark, Boulder, Cody, Concord, Lakeshore, Springfield		Kensington, Bristol, Richland		WITHOUT LEVERS		WITHOUT LEVERS	
	TIER1	TIER2	TIER1	TIER2	TIER1	TIER2	TIER1	TIER2
Entrance Mortise Cylinder European Mortise ACT7 Entry - Keyed W/ Turnknob	\$495	564	366	417	547	564	418	476
Passage European Mortise FDP7 Passage - Active No Cylinder Or Turnknob	413	469	284	323	444	505	314	358
Full Inactive European Mortise FD7 Inactive - Non-keyed	413	469	284	323	444	505	314	358
Patio European Mortise PAT7 Patio - Non-keyed	413	469	284	323	444	505	314	358
ESCUTCHEONS ONLY								
KN17 KN, Cut for Knob Inside			\$170	194			196	223
KN1R7 KN, Cut for Knob Inside - Rigid Lever			170	194			196	223
KN07 KN, Cut for Knob Outside			170	194			196	223
KN0R7 KN, Cut for Knob Outside - Rigid Lever			170	194			196	223
KC7 KC, Cut for Cylinder Outside - Pro C1			192	218			221	251
KC7T KC, Cut for Cylinder Inside - Pro C1			192	218			221	251

STEP 4: SELECT CONFIGURATION

72mm center to center = #7

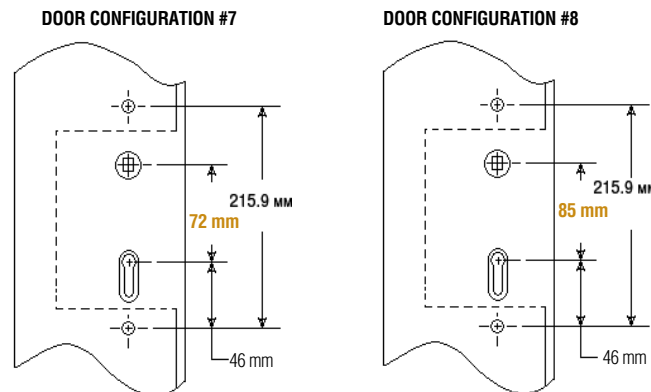
85mm center to center = #8

When ordering, the door's configuration can be selected by changing the configuration number, listed after the Active Entry Function.

EXAMPLES:

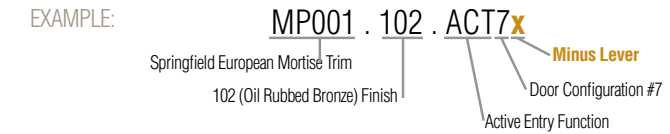
MP001 . 102 . ACT7
Active Entry Function Door Configuration #7.
To order Door Configuration #8, it would be "ACT8"

MP013 . 452 . PAT8
Active Entry Function Door Configuration #8.
To order Door Configuration #7, it would be "PAT7"



ALTERNATIVE LEVERS OR KNOBS

European Mortise Trim ships with stock lever as shown unless Trim is ordered WITHOUT LEVERS. For alternative levers or knobs, Add "x" to suffix to order Trim WITHOUT LEVERS and order levers SEPARATELY.



SPLIT FINISHES

For split finish, order components separately. Trim, lever and kit will be priced separately.

THICK DOOR KITS

Baldwin European Mortise trims assume 1.75" door thickness. For thicker doors, please order a Thick Door kit according to the chart below.

Specify cylinder finish where noted.

Available cylinder finishes include ONLY 264 (Satin Chrome), 040 (Satin Brass) and 112 (Venetian Bronze).

	1 3/4"	2"	2 1/4"	2 3/8"	2 1/2"	2 3/4"	List Price
ACT1							
All others	MP000.xxx.ACTD	MP000.xxx.ACTD	MP000.xxx.ACTE	MP000.xxx.ACTF	MP000.xxx.ACTG	MP000.xxx.ACTG	\$106
Bismark, Kensington, Lakeshore	MP000.xxx.ACTD	MP000.xxx.ACTE	MP000.xxx.ACTE	MP000.xxx.ACTF	MP000.xxx.ACTG	MP000.xxx.ACTI	\$106
PAT1							
All others	MP000.xxx.PATJ	MP000.xxx.PATJ	MP000.xxx.PATK	MP000.xxx.PATL	MP000.xxx.PATM	MP000.xxx.PATM	\$106
Bismark, Kensington, Lakeshore	MP000.xxx.PATJ	MP000.xxx.PATK	MP000.xxx.PATK	MP000.xxx.PATL	MP000.xxx.PATM	MP000.xxx.PATO	\$106
FD Sets	1 3/4" to 2 1/4"			2 3/8" to 2 3/4"			
	MP000.000.FDPTP			MP000.000.FDPTQ			\$21
FDP Sets	1 3/4" to 2 1/4"			2 3/8" to 2 3/4"			
	MP000.000.FDPTP			MP000.000.FDPTQ			\$21

Included w/ standard sets

ACT kits include:
8mm to 7.3mm Conversion Spindle, Keyed Cylinder, and Cylinder Installation Hardware

PAT kits include:
8mm to 7.3mm Conversion Spindle, Patio Cylinder, and Cylinder Installation Hardware

FDPTP kits include:
8mm to 7.3mm Conversion Spindle

RECOMMENDED FINISHES CHART

RECOMMENDED FINISHES	ORIGINAL FINISHES
040	003, 030, 031, 033, 034, 060, 040, 050, 038
112	412, 102, 190, 402, 112
264	055, 056, 150, 151, 260, 264, 452



CHATEAU

CRAFTSMAN

VILLA

ARCHETYPES

Archetypes trim available in 72 mm & 85 mm — in two widths: 1 3/8" and 2"
PLEASE CALL FOR A QUOTE.



ENVIRONMENTAL STEWARDSHIP — AND — SOCIAL RESPONSIBILITY

AT BALDWIN HARDWARE CORPORATION, we have made environmental responsibility a key consideration throughout our organization. We are committed to reducing the impact of our business on the environment by placing a priority on environmental, health, and safety standards in operations, and considering environmental factors in product and process design, and manufacturing methods.

Our manufacturing facility in Reading, PA produces product using raw material containing primarily recovered metals*. Product from our other manufacturing sources contains a similarly high level of recycled content. Baldwin recycles 100% of all brass scrap generated here in Reading, and also recycles 100% of all hazardous materials generated. Our electroplating lines utilize state of the art equipment to minimize raw material usage, and minimize waste generation. Water conservation practices result in a nearly 40% reduction in water usage with the attendant reduction in the treatment of rinse waters and generation of treatment by-products.

Baldwin luxury home hardware products can support the following aspects of green building:

LEED MR Credit 4.1: Recycled Content: 10% (post-consumer + 1/2 pre-consumer)

LEED MR Credit 4.1: Recycled Content: 20% (post-consumer + 1/2 pre-consumer)

NAHB Model Green Home Building Guidelines 2.4: Use Recycled Content Materials

Baldwin is a contributor to the U.S. Environmental Protection Agency's (EPA) National Partnership for Environmental Priorities, and was recognized by the Pennsylvania State Senate as "...a model which other businesses would do well to emulate. Berks County can certainly point with pride to this corporation that has dedicated itself to a pollution prevention/waste minimization program in order to improve our environment for future generations."

We are committed to responsible stewardship of the resources used in the production of our products, and constantly strive to reduce the environmental impact of our products, our facilities and our processes. For over sixty years, Baldwin has been the luxury hardware choice for quality living —our continually improving environmental responsibility helps ensure the same quality of life for future generations.

*Recovered material content varies by product line but generally exceeds 95%.

BALDWIN®

CUSTOM DESIGN

— SINCE 1946 —



BALDWIN®

AN AMERICAN DREAM

— A LEGACY OF CREATIVITY & INNOVATION —

BALDWIN'S FOUNDER, Severin Fayerman, survived WWII imprisonment and came to America penniless in 1945. He began Baldwin Hardware on January 2, 1946 and just ten years later had placements in the White House.

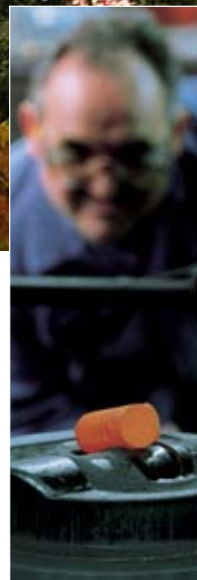
In 1956, Baldwin moved to Reading, Pennsylvania and became the first company in the world to forge solid brass door hardware. This innovation paved the way for custom hardware projects like one-of-a-kind rim locks for Jackie Kennedy and the Smithsonian commissioning Baldwin to make authentic reproductions.

Baldwin's legacy of custom projects and historical restorations is unsurpassed. Baldwin has the expertise and service needed for custom design, engineering and finishing projects.

With placements ranging from The Paca House to The Ritz-Carlton, Donald Trump to 50 Cent, Baldwin Hardware's heritage is rich and diverse.



1956
Baldwin's French knocker
became the gift item of choice
for Mamie Eisenhower



QASR AL SARAB

— THE MOST EXCLUSIVE RESORT IN THE MIDDLE EAST —

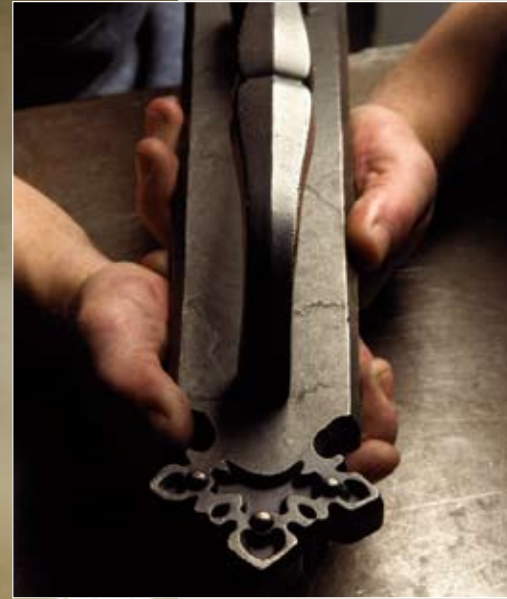
LOCATED IN LEGENDARY Liwa Desert in the Empty Quarter, the largest uninterrupted sand desert in the world, Qasr Al Sarab Desert Resort by Anantara embraces the epic adventures of indigenous desert culture with renowned luxury.

PROJECT STORY:

From state-of-the-art design capability to technical experts on-site, even in far away places like the Liwa Desert, Baldwin has the tools needed to bring large scale projects like Qasr Al Sarab to fruition. When the owner decided to change the doors and locks from ANSI to European specifications, Baldwin didn't miss a step. When the project time lines accelerated, Baldwin kept up. When door specifications changed again, Baldwin attended marathon meetings with all the stakeholders to complete new division 8 door schedules. Baldwin is a true partner, making and keeping commitments to the most discerning owners, builders, architects, and designers around the world.

CUSTOM PRODUCT INCLUDED:

600mm & 2m pulls, edge pulls, Euro profile escutcheon trim, 5" backset lock trim, glass kits for bronze shower systems



Designer: Hirsch Bedner Associates (HBA)
Manufacturer: Baldwin Hardware
Distributor: Metallic Equipment Co
General Contractor: Tourism Development & Investment Company (TDIC)
Builder: Al Jaber Engineering and Contractors LLC (ALEC)
Operator: Anantara Resorts

BALDWIN

AUTHENTIC DESIGN

— AND THE TEAM THAT MAKES IT HAPPEN —

BALDWIN HAS A RICH HISTORY of making both historically accurate and truly original designs.

Our design team is deeply immersed in the study of architecture and design. They are current on the latest trends and observe the subtle style cues found in historical artifacts. Whether the focus is Colonial, Contemporary, or an eclectic mix from cultures around the world, Baldwin's designers have a deep respect for history and detail.

After research and reviewing design specifications of the project, come pencil sketches. This step in the design process is essential to narrow focus. From sketches to digital renderings, our designers use advanced technology to develop shape and form. Advanced 3-D printers then make the refinement of proportions and ergonomics an amazingly quick and efficient process.

We are committed to maintaining your design intent throughout the entire process. Upon approval of the final design, Baldwin's Industrial Design Team will produce working samples. Quotes and tooling are the final steps before manufacturing begins.



With outstanding educational pedigrees and more than 30 years of combined industrial design experience in hardware, house ware, and plumbing, Elliott and Yos have been the leading creative forces behind Baldwin's many product launches over the past decade.

ELLIOTT SCHNEIDER
B.S., Mechanical Engineering, Cornell University
B.F.A., Industrial Design, San Francisco Academy of Arts

YOS SINGTOROJ
B.S., Product Design
The Art Center College of Design, Pasadena



BALDWIN

BALDWINHARDWARE.COM

BALDWIN®

19701 DA VINCI . LAKE FOREST . CALIFORNIA . 92610

1.800.437.7448

BALDWIN®



KEYLESS ENTRY WITH
HOME CONNECT™
TECHNOLOGY

Baldwin, America's premier maker of hand-crafted hardware since 1946, offers premium home automation security with Home Connect™ Technology.

Decorative hardware's only motorized deadbolt secures your home with amazing functionality. Home Connect™ Technology enables the door lock to wirelessly communicate with other devices in the home.

Check lock status remotely and securely lock or unlock your home with a cell phone. Receive a text message when your child arrives home. Unlock your door, disarm the alarm, and turn on the lights, all with the click of a button. Baldwin's keyless locks integrate with home automation and security systems to meet the demanding needs of the modern family.



Innovative Security

- Motorized deadbolt— for true remote locking
- Revolutionary tapered deadbolt design
- Full 128-Bit encryption security

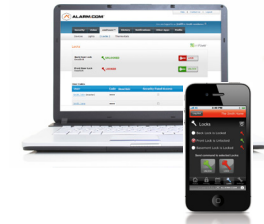
Easy Integration

- Installs in minutes
- Replaces existing deadbolt
- Uses 4 AA batteries (no hard wiring)
- Z-Wave wireless protocol

Home Connect™ integration delivers the following benefits:

Remote access advantages

- Lock/unlock doors via smart phone or internet connection while away
- Receive remote notification when door lock is accessed
- Check lock status remotely to see if doors are locked



Home control benefits

- Customize lighting scenes for convenience through lock keypad
- Initiate thermostat away mode when leaving home and locking door
- Save money while conserving energy usage through home/away modes via lock keypad



Security system enhancements

- Simplify security system control through lock keypad
- Control locks from security system to lock/unlock door while arming/disarming
- Single button security system arming via lock keypad



Contact your local Dealer/Distributor for details.



Z-Wave Wireless Protocol



“When I’m away on a business trip, Baldwin’s keyless lock enables me to monitor who enters my home. If my kids forget to lock the door, I can do it remotely with my phone. Amazing!”



Introducing Baldwin’s keyless entry locks with Home Connect™ Technology—Enabling the door lock to wirelessly communicate with other devices in the home.



“With my Baldwin lock integrated into my home automation system, when I arrive home, I’m greeted with the alarm disarming, front door unlocking, lights turning on, and my favorite Jazz.”



Baldwin is a member of the Z-Wave Alliance

BALDWIN®

19701 DA VINCI . LAKE FOREST . CALIFORNIA . 92610
BALDWINHARDWARE.COM . 800-437-7448

BALDWIN®



SECTIONAL TRIMS FOR
EUROPEAN MORTISE LOCKS

SECTIONAL TRIMS FOR EUROPEAN MORTISE LOCKS



Baldwin Estate now offers homeowners the ultimate in design inspiration for Euro-Mortise mechanics. Bring your vision to life by choosing a lever, and complement with a Rosette. The mechanics within the rosette will ensure the luxurious feel and long lasting quality of Baldwin mechanics.

- European Mortise Locks are most common outside North America and typically use a profile cylinder installed below the lever.
- Baldwin does not manufacture European Mortise Locks. However, Baldwin's Sectional Trim for European Mortise Locks are compatible with 58mm, 72mm, and 85mm locks using an 8mm square spindle.
- European Mortise Trims are distinguished with an "E" after the style number (example 5162E.xxx.MR).
- European Mortise Rosettes contain a spring cartridge to assist operation with Baldwin's heavy brass levers.
- European Mortise Levers are laser engraved with the Baldwin brand name.

SPECIFICATIONS

> Meets EN 1906 as 47-0030A, as described below:

Durability: Grade 7

> 200,000+ cycles (Highest cycle rating under the European code)

Category of Use: Grade 4

> High frequency of use on door which are subject to frequent violent usage

Corrosion Resistance grade: Grade 3

> High resistance

ESTATE FINISHES

TIER 1



TIER 2



Baldwin #	US #	BHMA #
040 =	4	606
050 =	5	609
102 =	108	613
150 =	15	619
260 =	26	625
264 =	26D	626

DISTRESSED FINISHES:

Not all hardware is available Distressed. The rugged tumbling process would damage some components. In cases where distressing is not possible, the equivalent non-distressed finish will be provided.
402 = 102

Hardware NOT available distressed includes:
> All mortise locks, cylinders, latches, strikes
> Certain levers & handleset trim (noted on those pages)

* HAND-RELIEVED FINISH VARIANCES:

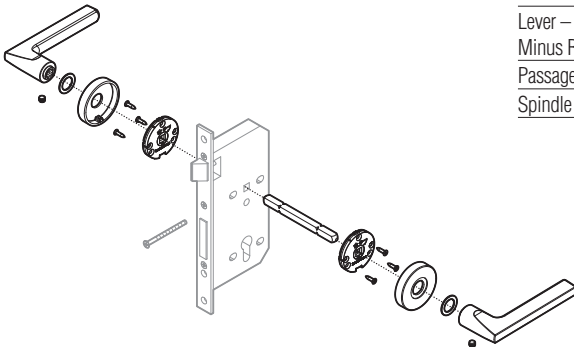
(050, 112, 151)
Product finishes which are HAND RELIEVED may vary in luster, hue and appearance as a result of handcrafted variances in the final finishing step.

** LIVING FINISH

(402)
Product finishes which are LIVING will vary over time. They are not eligible for finish warranty.

ORDERING & INSTALLATION

Passage w/ Rosette Installation European Mortise



HOW TO ORDER

WHAT YOU NEED:	PART # EXAMPLE	PAGE#
Lever – pair	5162E.150.MR	
Minus Rose (.MR)	5056E.150.PS	
Passage Rose – pair	0580E.004	61
Spindle		

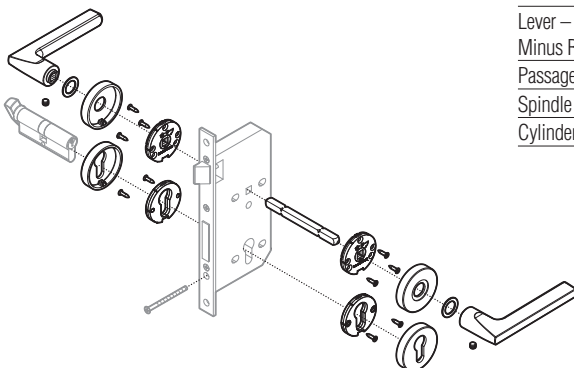
INSTALLATION

- Use cartridges to mark holes on both sides of the door.
- Drill holes.
- Install cartridges with supplied screws.
- Install spindle and roses. Secure roses with set screws.
- Install levers on both sides of the door and secure with set screws.

IMPORTANT: Set screw is coated with a special epoxy (resin) to prohibit the screw from loosening over time.

NOTE: Lock provided by others

Privacy or Entrance with Rosette Installation European Mortise



HOW TO ORDER

WHAT YOU NEED:	PART # EXAMPLE	PAGE#
Lever – pair	5162E.150.MR	
Minus Rose (.MR)	5056E.150.PS	
Passage Rose – pair	0580E.004	61
Spindle		
Cylinder Collar – pair	5056E.150.KC	

INSTALLATION

- Use cartridges to mark holes on both sides of the door.
- Drill holes.
- Install cartridges with supplied screws.
- Install lever spindle.
- Install roses.
- Insert cylinder and secure with mortise screw.
- Tighten rose set screws.
- Install levers on both sides of the door and secure with set screws.

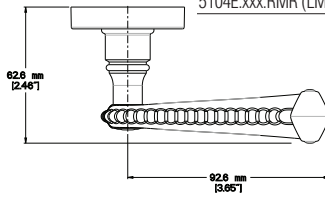
IMPORTANT: Set screw is coated with a special epoxy (resin) to prohibit the screw from loosening over time.

NOTE: Lock and cylinder provided by others

EUROPEAN MORTISE SECTIONAL TRIMS

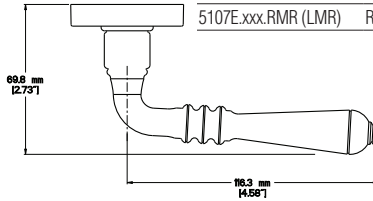
SOLID BRASS LEVERS

5104E Lever



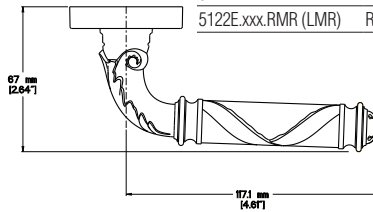
Item #	Description	Wt.	040, 050 112, 150, 151, 260, 264	003, 055, 056, 402
5104E.xxx.MR	Minus Rose - pair	1.5		
5104E.xxx.RMR (LMR)	Right (Left) Minus Rose - half pair	0.8		

5107E Lever



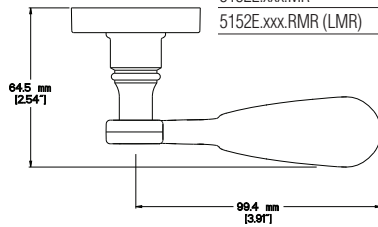
Item #	Description	Wt.	040, 050 112, 150, 151, 260, 264	003, 055, 056, 402
5107E.xxx.MR	Minus Rose - pair	1.5		
5107E.xxx.RMR (LMR)	Right (Left) Minus Rose - half pair	0.6		

5122E Lever



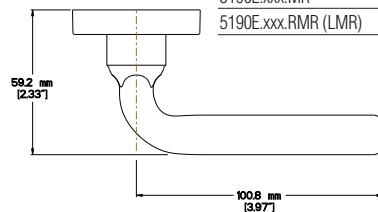
Item #	Description	Wt.	040, 050 112, 150, 151, 260, 264	003, 055, 056, 402
5122E.xxx.MR	Minus Rose - pair	1.6		
5122E.xxx.RMR (LMR)	Right (Left) Minus Rose - half pair	0.8		

5152E Lever



Item #	Description	Wt.	040, 050 112, 150, 151, 260, 264	003, 055, 056, 402
5152E.xxx.MR	Minus Rose - pair	1.1		
5152E.xxx.RMR (LMR)	Right (Left) Minus Rose - half pair	0.6		

5190E Lever



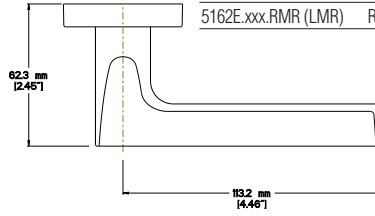
Item #	Description	Wt.	040, 050 112, 150, 151, 260, 264	003, 055, 056, 402
5190E.xxx.MR	Minus Rose - pair	1.5		
5190E.xxx.RMR (LMR)	Right (Left) Minus Rose - half pair	0.8		

ALL BALDWIN LEVERS ARE ADA 4.13.9 COMPLIANT

BALDWIN

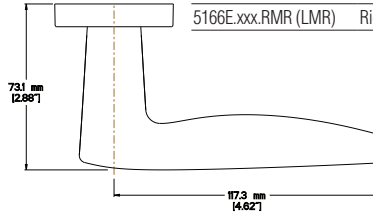
EUROPEAN MORTISE SECTIONAL TRIMS SOLID BRASS LEVERS

5162E Lever



Item #	Description	Wt.	040, 050	
			112, 150, 151, 260, 264	003, 055, 056, 402
5162E.xxx.MR	Minus Rose - pair	1.8		
5162E.xxx.RMR (LMR)	Right (Left) Minus Rose - half pair	0.9		

5166E Lever



Item #	Description	Wt.	040, 050	
			112, 150, 151, 260, 264	003, 055, 056, 402
5166E.xxx.MR	Minus Rose - pair	2.2		
5166E.xxx.RMR (LMR)	Right (Left) Minus Rose - half pair	1.1		

SPINDLE CHART

DOOR THICKNESS	45mm	50mm	55mm	60mm
	SPINDLE			
EUROPEAN ROSETTES	105mm	105mm	110mm	115mm



0580E - 0582E Broached Straight Spindles - 8mm Square

Item #	Description	Size
0580E.004	Broached straight 8mm	105mm
0581E.004	Broached straight 8mm	110mm
0582E.004	Broached straight 8mm	115mm

EUROPEAN MORTISE SECTIONAL TRIMS

SOLID BRASS ROSETTES

5016E Passage Rosette

shown w/ 5104E Lever



Item #	Description	Wt.	040, 050 112, 150, 151, 260, 264	003, 055, 056, 402
5016E.xxx.PS	Passage - Pair	0.8		
5016E.xxx.IPS	Passage - Half Pair	0.4		

NOTE: Lever must be ordered separately

5017E Passage Rosette

shown w/ 5122E Lever



Item #	Description	Wt.	040, 050 112, 150, 151, 260, 264	003, 055, 056, 402
5017E.xxx.PS	Passage - Pair	0.6		
5017E.xxx.IPS	Passage - Half Pair	0.3		

NOTE: Lever must be ordered separately

5027E Passage Rosette

shown w/ 5104E Lever



Item #	Description	Wt.	040, 050 112, 150, 151, 260, 264	003, 055, 056, 402
5027E.xxx.PS	Passage - Pair	0.6		
5027E.xxx.IPS	Passage - Half Pair	0.3		

NOTE: Lever must be ordered separately

5032E Passage Rosette

shown w/ 5166E Lever



Item #	Description	Wt.	040, 050 112, 150, 151, 260, 264	003, 055, 056, 402
5032E.xxx.PS	Passage - Pair	0.6		
5032E.xxx.IPS	Passage - Half Pair	0.3		

NOTE: Lever must be ordered separately

5056E Passage Rosette

shown w/ 5166E Lever

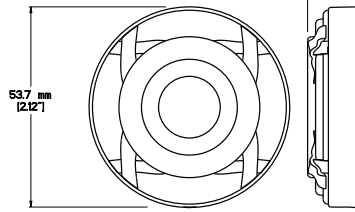


Item #	Description	Wt.	040, 050 112, 150, 151, 260, 264	003, 055, 056, 402
5056E.xxx.PS	Passage - Pair	0.7		
5056E.xxx.IPS	Passage - Half Pair	0.4		

NOTE: Lever must be ordered separately

EUROPEAN MORTISE SECTIONAL TRIMS SOLID BRASS CYLINDER COLLARS

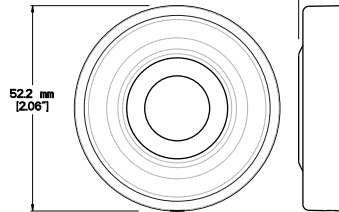
5016E Cylinder Collar



Item #	Description	Wt.	040, 050	
			112, 150, 151, 260, 264	003, 055, 056, 402
5016E.xxx.KC	Cylinder Collar - Pair	0.8		
5016E.xxx.IKC	Cylinder Collar - Half Pair	0.4		

NOTE: Cylinder not included

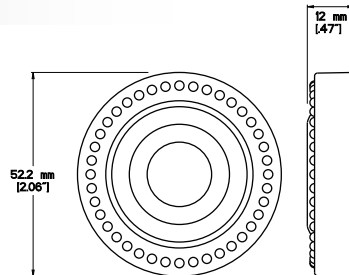
5017E Cylinder Collar



Item #	Description	Wt.	040, 050	
			112, 150, 151, 260, 264	003, 055, 056, 402
5017E.xxx.KC	Cylinder Collar - Pair	0.6		
5017E.xxx.IKC	Cylinder Collar - Half Pair	0.3		

NOTE: Cylinder not included

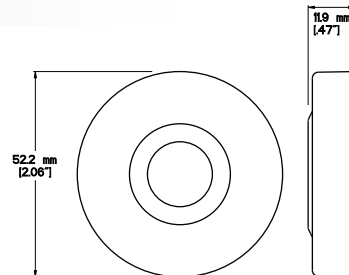
5027E Cylinder Collar



Item #	Description	Wt.	040, 050	
			112, 150, 151, 260, 264	003, 055, 056, 402
5027E.xxx.KC	Cylinder Collar - Pair	0.6		
5027E.xxx.IKC	Cylinder Collar - Half Pair	0.3		

NOTE: Cylinder not included

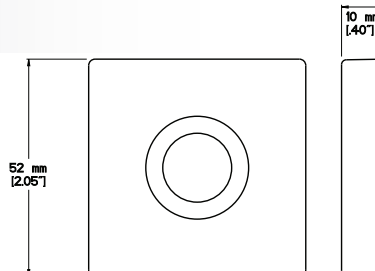
5032E Cylinder Collar



Item #	Description	Wt.	040, 050	
			112, 150, 151, 260, 264	003, 055, 056, 402
5032E.xxx.KC	Cylinder Collar - Pair	0.6		
5032E.xxx.IKC	Cylinder Collar - Half Pair	0.3		

NOTE: Cylinder not included

5056E Cylinder Collar



Item #	Description	Wt.	040, 050	
			112, 150, 151, 260, 264	003, 055, 056, 402
5056E.xxx.KC	Cylinder Collar - Pair	0.7		
5056E.xxx.IKC	Cylinder Collar - Half Pair	0.4		

NOTE: Cylinder not included

BALDWIN®

19701 DA VINCI · LAKE FOREST · CALIFORNIA 92610

+1 (610) 777.7811

BALDWINHARDWARE.COM

BALDWIN®



Control 



KEYLESS ENTRY WITH
HOME CONNECT™



THE CONTROL4® SYSTEM MAKES your home your favorite place to be. Baldwin, America's premier maker of hand-crafted hardware since 1946, offers premium home automation security with Home Connect Technology.

Decorative hardware's only motorized deadbolt secures your home with amazing functionality. Integrated with the Control4® system, Home Connect enables the door lock to wirelessly communicate with other devices in the home.

Check lock status remotely and securely lock or unlock your home with a cell phone. Receive a text message when your child arrives home. Unlock your door, disarm the alarm, turn on the lights and your favorite music, all with the click of a button. Baldwin's keyless locks and Control4® integrate to meet the demanding needs of the modern family.



8285.xxx.AC2
Soho Deadbolt



8252.xxx.AC2
Boulder Deadbolt



85386.xxx.ACRH (.ACLH)
Soho Sectional Trim
w/ 5485 Lever



85353.xxx.ACRH (.ACLH)
Boulder Sectional Trim
w/ 5452 Beavertail Lever

Finishes



TIER 1

TIER 2

Finishes



TIER 1

TIER 2

Innovative Security

- The ONLY motorized deadbolt— for remote locking
- Revolutionary tapered deadbolt design
- Full 128-Bit encryption security

Easy Integration

- Installs in minutes
- Replaces existing deadbolt
- 4 AA batteries (no hard wiring)
- ZigBee Pro wireless protocol

Control4® integration includes the following features:

Lock seamlessly integrates into the Control4 system

- Check status, lock/unlock any door using Control4 touch screen, remote control, or TV
- Set ties or events to automatically unlock/lock doors
- Use lock to automatically arm/disarm the alarm system

Fully customizable feature set

- Add/delete user codes
- Use lock to initiate customized scenes upon entrance & exit
- Lock/unlock door using a key FOB (sold separately)

Remote access features

- Check status of door lock using web enabled devices
- Lock/unlock door using a web enabled device
- Receive text/email notifications when lock is accessed

Contact your local Control4 Dealer/Distributor for details:

Control4
www.control4.com/where-buy



“With my Baldwin lock integrated into my Control4® system, when I arrive home, I’m greeted with the alarm disarming, front door unlocking, lights turning on, and my favorite Jazz.”



Introducing Baldwin’s keyless entry locks with Home Connect™ Technology—Enabling the door lock to wirelessly communicate with other devices in the home.



“When I’m away on a business trip, Baldwin’s keyless lock enables me to monitor who enters my home. If my kids forget to lock the door, I can do it remotely with my phone. Amazing!”



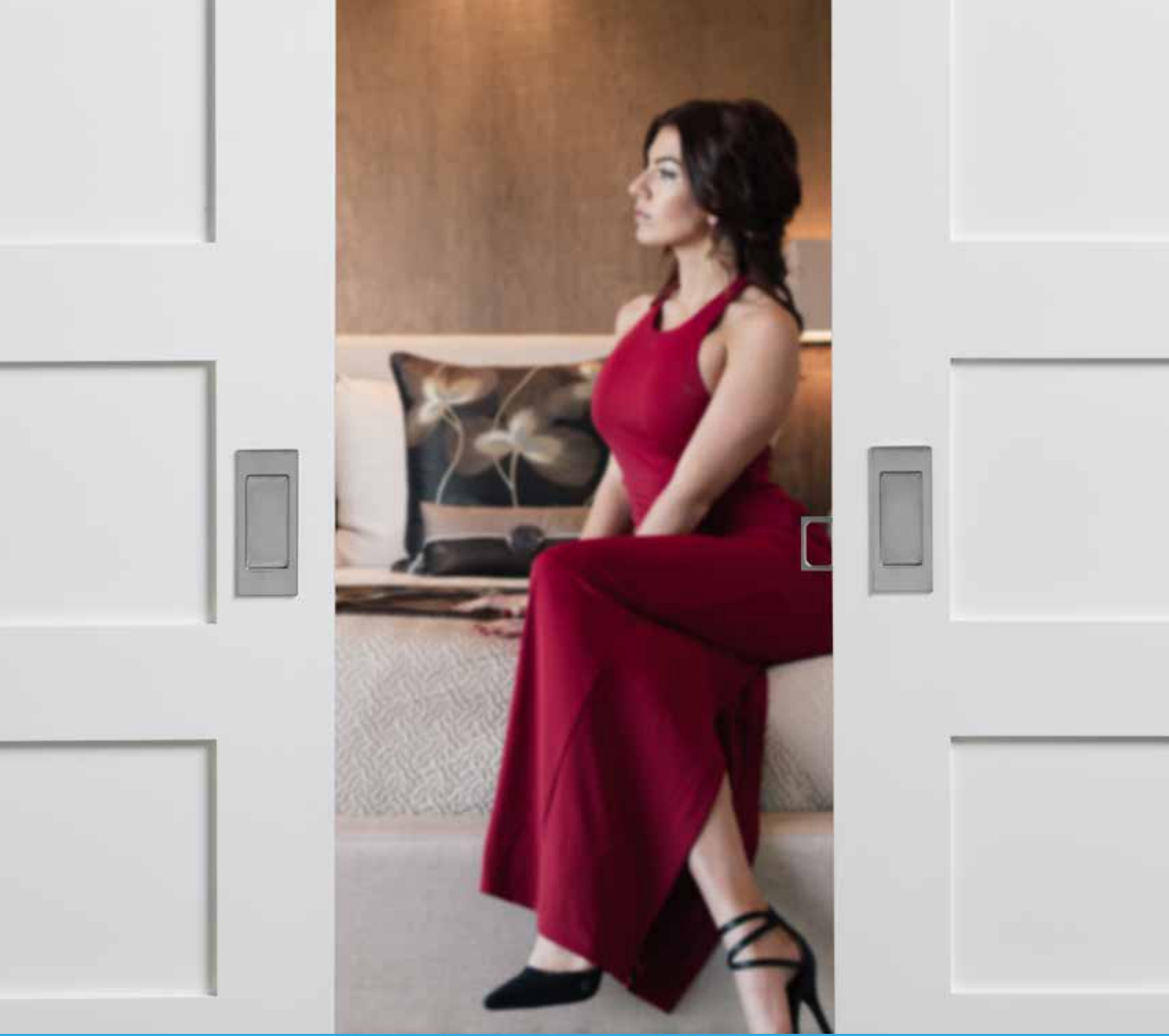
Contact your local Control4 Dealer/Distributor for details:

Control4

www.control4.com/residential/where-buy

BALDWIN

19701 DA VINCI . LAKE FOREST . CALIFORNIA . 92610
BALDWINHARDWARE.COM . 800-437-7448



BALDWIN[®]

U.S. CONTEMPORARY CATALOG



BALDWIN® OWN IT.™

Baldwin hardware is a timeless and trustworthy brand that creates a charismatic presence in any home. For seventy years, Baldwin has helped you create a signature look that seamlessly blends Baldwin hardware with the personality of its owner. With 20 finishes, Baldwin Hardware has something for every design aesthetic. With over a 120,000 combinations, there are no limits, no boundaries. Baldwin is about more than just having something special, it's about owning it and showing the world what true luxury is worth.

Prestige Series is a way to bring the legendary excellence of Baldwin into more homes and more hands. With the affordable luxury of Prestige Series, any homeowner can instantly create an atmosphere of confidence from the moment someone opens the door.

The Reserve portfolio is for people who want more. They're looking for more ways to express themselves with the distinctive look of Baldwin and find value in a company with years of experience and a bona fide commitment to greater quality. Far beyond just a lock in a box, Reserve opens the door to a customizable world flowing with inspiration. And it's all ready to go whenever inspiration strikes because it's ready to ship in just 7 days. Reserve is the best of both worlds: accessibility and artful appeal. Leave a lasting impression with Reserve.

When people say it's lonely at the top, they're definitely not talking about **Baldwin Estate**. This impressive top-of-the-line portfolio comes with plenty of company; everyone wants it. Estate includes seemingly infinite possibilities, elegant finishes and exclusive, custom styles. Our master craftsmen take their time to create each piece by hand and with the utmost care so you can create your own signature look. And with options so beautiful, tasteful, well made, and inviting, it's no surprise that Estate is the crown jewel of the Baldwin brand. Estate is quality that feels custom made, because it is.

There is a way for every home to "OWN IT" with Baldwin. From our Prestige Series that offers affordable luxury to Reserve, which opens the door to customizable products that deliver lasting impressions, to Estate, our crown jewel that creates your own signature look, "OWN IT" with the best of Baldwin.

CREATE YOUR OWN SIGNATURE STYLE WITH THE BALDWIN LOCK DESIGNER

YOU CAN MIX AND MATCH ESTATE OR
RESERVE DOOR HARDWARE IN EVERY
SINGLE FINISH WE OFFER!



DOWNLOAD THE BALDWIN LOCK DESIGNER FOR IPAD AND ANDROID



BALDWINHARDWARE.COM

BALDWIN PORTFOLIO COMPARISON

Baldwin luxury is available in a range of styles, finishes, and price points within the various product portfolios:

Estate, Reserve, and Prestige Series. Whatever your customer's design aesthetic, Baldwin has a product to fit their design needs.

	ESTATE™	RESERVE™	<i>Prestige Series™</i>
STYLE & FINISH OFFERING	\$\$\$-\$\$\$\$	\$\$	\$
Knob/Lever Style Options	89	11	4
Rose Style Options	65	7	2
Entry Style Options	68	15	7
Finishes Available	20	8	3
PVD Lifetime Finishes	○	-	-
Lacquer Finishes	○	●	●
Living Finishes	○	-	-
Concealed Screws and Fasteners	●	-	-
PERFORMANCE, OPERATION, APPLICATION			
Lifetime Mechanical Warranty	●	●	●
Tubular Lock Operation	○	●	●
Mortise Lock Operation	○	-	-
Multipoint Application	○	-	-
Emergency Egress Entry	○	-	-
Latch Operation	28° Rotation with Nylon insert for quiet operation	Adjustable Backset	Adjustable Backset
Handle Grip Material	Forged Brass	Forged Brass	Forged Brass
Knob/Lever Material	Forged Brass	Forged Brass	Cast Metal
CYLINDER TECHNOLOGY			
C-Keyway Cylinder	●	●	-
SmartKey® Cylinder	-	○	●
Keyless Entry/Electronic Locks	○	-	-
Master Keying	○	○	-
Construction Keying	○	○	-
Other Specialty Keying	○	-	-
AVAILABLE OPTIONS			
Preconfigured Locksets	Yes	-	Yes
Customization	Yes	Yes	-
Coordinating Home Hardware	Yes	Yes	-
Coordinating Cabinet Hardware	Yes	-	Yes
Primary Ordering	Select Preconfigured A la Carte	Configured	Preset SKUs

● Standard ○ Optional - Not Available

TABLE OF CONTENTS

BALDWIN PORTFOLIO COMPARISON

4

ESTATE

6-23

Handlesets	6-9
Levers	10-14
Knobs	15
Pre Configured	16
European Levers	17
Keyless Entry / Deadbolts	18-19
Pocket Door Lock	20-21
How To Order Estate Line - Entrance Sets	22
How To Order Thicker Doors	23

RESERVE

24-31

Handlesets	24-25
Entry	26
Privacy/Passage	27
Deadbolts	28-29
How To Order Reserve Line	30-31

HOUSE SPECIFICATION EXAMPLE

32

LINE COST COMPARISON

33

FINISHES & WARRANTY

35

BALDWIN ACCESSORIES

35



**NEW YORK
6562 HANDLESET IN
POLISHED CHROME FINISH**



Soho Sectional

San Diego

New York

Chicago

Atlanta

COMPLETE HANDLESETS											
Description	Trim #	Finishes	Function	Mechanism	Backset	Door Thickness	Trim	Cylinder	Mortise	Total Mortise	Total Tubular
Soho Sectional	85386	150,260,112	Entrance	Tubular	2.5 & 2.75"	1.75"	\$450	N/A	N/A	N/A	\$450
San Diego	6540	150,260,112	Entrance	Mortise	2.5 & 2.75"	1.75"	\$495	\$50	\$330	\$875	N/A
New York	6562	150,260,112	Entrance	Mortise	2.5 & 2.75"	1.75"	\$495	\$50	\$330	\$875	N/A
Chicago	6563	150,260,112	Entrance	Mortise	2.5 & 2.75"	1.75"	\$495	\$50	\$330	\$875	N/A
Atlanta	6570	150,260,112	Entrance	Mortise	2.5 & 2.75"	1.75"	\$495	\$50	\$330	\$875	N/A

HOW TO ORDER: Pick Trim + Mortise + Cylinder			
Description	Trim #	Mortise 2.75"	Cylinder
Soho Sectional	85386.xxx.RENT (.LENT)	N/A	N/A
San Diego	6540.xxx.ENTR	6020.xxx.Suffix	8321.xxx
New York	6562.xxx.ENTR	6020.xxx.Suffix	8323.xxx
Chicago	6563.xxx.ENTR	6020.xxx.Suffix	8321.xxx
Atlanta	6570.xxx.ENTR	6020.xxx.Suffix	8323.xxx

DOOR HANDING	SUFFIX
Right hand	R
Left hand	L
Right hand Reverse bevel	RR
Left hand Reverse bevel	LR

*Thicker Doors. See page 23.

*2.5" Backset available. See page 23.

*Lever handlesets use .RENT or .LENT for door handing.

*Knob handlesets and dual lever entrance use .ENTR.

*Lifetime PVD finishes: Satin Nickel (056) and Polished Nickel (055) add \$100 to the total.

*xxx = Finish



Santa Monica

Lakeshore

Minneapolis

Dallas

Houston

COMPLETE HANDLESETS											
Description	Trim #	Finishes	Function	Mechanism	Backset	Door Thickness	Price	Cylinder	Mortise	Total Mortise	Total Tubular
Santa Monica	6915	150,260,112	Entrance	Mortise	2.5 & 2.75"	1.75"	\$495	\$50	\$330	\$875	N/A
Lakeshore	6966	150,260,112	Entrance	Mortise	2.5 & 2.75"	1.75"	\$795	\$50	\$330	\$1,175	N/A
Minneapolis	6976	150,260,112	Entrance	Mortise	2.5 & 2.75"	1.75"	\$495	\$50	\$330	\$875	N/A
Dallas	6931	150,260,112	Entrance	Mortise	2.5 & 2.75"	1.75"	\$495	\$50	\$330	\$875	N/A
Houston	6973	150,260,112	Entrance	Mortise	2.5 & 2.75"	1.75"	\$495	\$50	\$330	\$875	N/A

HOW TO ORDER: Pick Trim + Mortise + Cylinder			
Description	Trim #	Mortise 2.75"	Cylinder
Santa Monica	6915.xxx.ENTR	6001.xxx.Suffix	8323.xxx
Lakeshore	6966.xxx.RENT (.LENT)	6020.xxx.Suffix	8323.xxx
Minneapolis	6976.xxx.RENT (.LENT)	6020.xxx.Suffix	8323.xxx
Dallas	6931.xxx.RENT (.LENT)	6020.xxx.Suffix	8321.xxx
Houston	6973.xxx.ENTR	6001.xxx.Suffix	8324.xxx

DOOR HANDING (LEVER MORTISE)	SUFFIX
Right hand Lever Strength	RLS
Left hand Lever Strength	LLS
Right hand Reverse bevel Lever Strength	RRLS
Left hand Reverse bevel Lever Strength	LRLS

*Thicker Doors. See page 23.

*2.5" Backset available. See page 23.

*Lever handlesets use .RENT or .LENT for door handing.

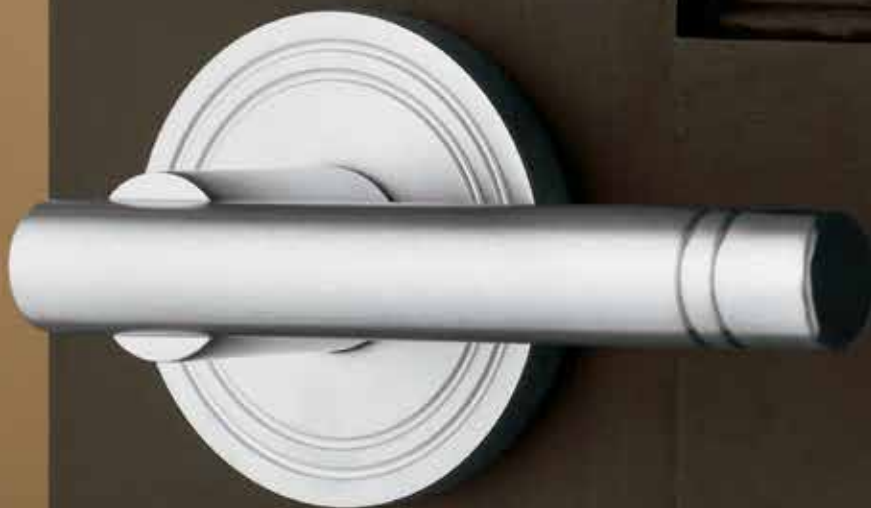
*Knob handlesets and dual lever entrance use .ENTR.

*Lifetime PVD finishes: Satin Nickel (056) and Polished Nickel (055) add \$100 to the total.

*xxx = Finish

LAKE SHORE™
6966 HANDLESET IN
SATIN NICKEL FINISH





**5138 LEVER
W/ 5047 ROSE IN
CHROME FINISH**



5115 w/ 5006 Rose



5137 w/ 5006 Rose



5138 w/ 5047 Rose



5141 w/R033 Rose



5161 w/ 5006 Rose



5162 w/5032 Rose

HOW TO ORDER PASSAGE EXAMPLE: Pick Lever + Rose + Latch

Lever #	Passage Rose	Latch 2 3/8"	Finishes	Mechanism	Backset Tubular	Trim	Tubular Latch	Passage Rose	Total Tubular
5115.xxx.MR	5006.xxx	5513.xxx	150,260,112	Tubular	2 3/8"	\$145	\$55	\$36	\$236
5137.xxx.MR	5006.xxx	5513.xxx	150,260,112	Tubular	2 3/8"	\$145	\$55	\$36	\$236
5138.xxx.MR	5047.xxx	5513.xxx	150,260,112	Tubular	2 3/8"	\$145	\$55	\$44	\$244
5141.xxx.MR	R033.xxx	5513.xxx	150,260,112	Tubular	2 3/8"	\$160	\$55	\$44	\$259
5161.xxx.MR	5006.xxx	5513.xxx	150,260,112	Tubular	2 3/8"	\$145	\$55	\$36	\$236
5162.xxx.MR	5032.xxx	5513.xxx	150,260,112	Tubular	2 3/8"	\$145	\$55	\$44	\$244

HOW TO ORDER PRIVACY EXAMPLE: Pick Lever + Rose + Latch

Lever #	Privacy Rose	Latch 2 3/8"	Finishes	Mechanism	Backset Tubular	Trim	Tubular Latch	Privacy Rose	Total Tubular
5115.xxx.MR	5139.xxx	5513.xxx.P	150,260,112	Tubular	2 3/8"	\$145	\$55	\$44	\$244
5137.xxx.MR	5139.xxx	5513.xxx.P	150,260,112	Tubular	2 3/8"	\$145	\$55	\$44	\$244
5138.xxx.MR	5147.xxx	5513.xxx.P	150,260,112	Tubular	2 3/8"	\$145	\$55	\$44	\$244
5141.xxx.MR	R033.xxx.PV	5513.xxx.P	150,260,112	Tubular	2 3/8"	\$160	\$55	\$44	\$259
5161.xxx.MR	5139.xxx	5513.xxx.P	150,260,112	Tubular	2 3/8"	\$145	\$55	\$44	\$244
5162.xxx.MR	5139.xxx	5513.xxx.P	150,260,112	Tubular	2 3/8"	\$145	\$55	\$44	\$244

DOOR THICKNESS: Code.004

Size	1 3/8"	1 3/4"	2"	2 1/4"	2 1/2"
Passage	Included	0511	0512	0513	0513
Privacy	Included	0522	0521	0523	0523

*For pre-bored doors, must order adaptor (6502.009) add \$10 and must use roses 2.265" in size.

*Also available in Mortise. See Price Book.

*2 3/4" Tubular Backset available.

*Doors thicker than 1 3/8", add \$12 spindle.

*Lifetime PVD finishes: Satin Nickel (056) and Polished Nickel (055) add \$35 to the total.

*xxx = Finish



5164 w/ 5006 Rose



5165 w/ 5032 Rose



5166 w/ 5006 Rose



5173 w/ 5006 Rose



5460V w/ 5046 Rose



L016 w/ 5046 Rose

HOW TO ORDER PASSAGE EXAMPLE: Pick Lever + Rose + Latch

Lever #	Passage Rose	Latch 2 3/8"	Finishes	Mechanism	Backset Tubular	Trim	Tubular Latch	Passage Rose	Total Tubular
5164.xxx.MR	5006.xxx	5513.xxx	150,260,112	Tubular	2 3/8"	\$145	\$55	\$36	\$236
5165.xxx.MR	5032.xxx	5513.xxx	150,260,112	Tubular	2 3/8"	\$145	\$55	\$44	\$244
5166.xxx.MR	5006.xxx	5513.xxx	150,260,112	Tubular	2 3/8"	\$145	\$55	\$36	\$236
5173.xxx.MR	5006.xxx	5513.xxx	150,260,112	Tubular	2 3/8"	\$145	\$55	\$36	\$236
5460V.xxx.MR	5046.xxx	5513.xxx	150,260,112	Tubular	2 3/8"	\$115	\$55	\$44	\$214
L016.xxx.MR	5046.xxx	5513.xxx	150,260,112	Tubular	2 3/8"	\$145	\$55	\$44	\$244

HOW TO ORDER PRIVACY EXAMPLE: Pick Lever + Rose + Latch

Lever #	Privacy Rose	Latch 2 3/8"	Finishes	Mechanism	Backset Tubular	Trim	Tubular Latch	Privacy Rose	Total Tubular
5164.xxx.MR	5139.xxx	5513.xxx.P	150,260,112	Tubular	2 3/8"	\$145	\$55	\$44	\$244
5165.xxx.MR	5139.xxx	5513.xxx.P	150,260,112	Tubular	2 3/8"	\$145	\$55	\$44	\$244
5166.xxx.MR	5139.xxx	5513.xxx.P	150,260,112	Tubular	2 3/8"	\$145	\$55	\$44	\$244
5173.xxx.MR	5139.xxx	5513.xxx.P	150,260,112	Tubular	2 3/8"	\$145	\$55	\$44	\$244
5460V.xxx.MR	5146.xxx	5513.xxx.P	150,260,112	Tubular	2 3/8"	\$115	\$55	\$44	\$214
L016.xxx.MR	5146.xxx	5513.xxx.P	150,260,112	Tubular	2 3/8"	\$145	\$55	\$44	\$244

DOOR THICKNESS: Code.004

Size	1 3/8"	1 3/4"	2"	2 1/4"	2 1/2"
Passage	Included	0511	0512	0513	0513
Privacy	Included	0522	0521	0523	0523

*For pre-bored doors, must order adaptor (6502.009) add \$10 and must use roses 2.265" in size.

*Also available in Mortise. See Price Book.

*2 3/4" Tubular Backset available.

*Doors thicker than 1 3/8", add \$12 spindle.

*Lifetime PVD finishes: Satin Nickel (056) and Polished Nickel (055) add \$35 to the total.

*xxx = Finish

**5460 LEVER
W/ 5046 ROSE IN
SATIN NICKEL FINISH**





L018 w/5032 Rose



L020 w/ 5032 Rose



L021 w/ 5056 Rose



L022 w/ 5056 Rose



L023 w/ R017 Rose

HOW TO ORDER PASSAGE EXAMPLE: Pick Lever + Rose + Latch

Lever #	Passage Rose	Latch 2 3/8"	Finishes	Mechanism	Backset Tubular	Trim	Tubular Latch	Passage Rose	Total Tubular
L018.xxx.MR	5032.xxx	5513.xxx	150,260,112	Tubular	2 3/8"	\$145	\$55	\$44	\$244
L020.xxx.MR	5032.xxx	5513.xxx	150,260,112	Tubular	2 3/8"	\$145	\$55	\$44	\$244
L021.xxx.MR	5056.xxx	5513.xxx	150,260,112	Tubular	2 3/8"	\$145	\$55	\$44	\$244
L022.xxx.MR	5056.xxx	5513.xxx	150,260,112	Tubular	2 3/8"	\$145	\$55	\$44	\$244
L023.xxx.MR	R017.xxx	5513.xxx	150,260,112	Tubular	2 3/8"	\$160	\$55	\$44	\$259

HOW TO ORDER PRIVACY EXAMPLE: Pick Lever + Rose + Latch

Lever #	Privacy Rose	Latch 2 3/8"	Finishes	Mechanism	Backset Tubular	Trim	Tubular Latch	Privacy Rose	Total Tubular
L018.xxx.MR	5139.xxx	5513.xxx.P	150,260,112	Tubular	2 3/8"	\$145	\$55	\$44	\$244
L020.xxx.MR	5139.xxx	5513.xxx.P	150,260,112	Tubular	2 3/8"	\$145	\$55	\$44	\$244
L021.xxx.MR	5160.xxx	5513.xxx.P	150,260,112	Tubular	2 3/8"	\$145	\$55	\$44	\$244
L022.xxx.MR	5160.xxx	5513.xxx.P	150,260,112	Tubular	2 3/8"	\$145	\$55	\$44	\$244
L023.xxx.MR	R017.xxx.PV	5513.xxx.P	150,260,112	Tubular	2 3/8"	\$160	\$55	\$44	\$259

DOOR THICKNESS: Code.004

Size	1 3/8"	1 3/4"	2"	2 1/4"	2 1/2"
Passage	Included	0511	0512	0513	0513
Privacy	Included	0522	0521	0523	0523

*For pre-bored doors, must order adaptor (6502.009) add \$10 and must use roses 2.265" in size.

*Also available in Mortise. See Price Book.

*2 3/4" Tubular Backset available.

*Doors thicker than 1 3/8", add \$12 spindle.

*Lifetime PVD finishes: Satin Nickel (056) and Polished Nickel (055) add \$35 to the total.

*xxx = Finish



5055 w/ 5032 Rose



5073 w/ 5006 Rose



5068 w/ 5070 Rose



5023 w/ 5059 Rose



5045 w/ 5046 Rose

HOW TO ORDER PASSAGE EXAMPLE: Pick Knob + Rose + Latch

Lever #	Passage Rose	Latch 2 3/8"	Finishes	Mechanism	Backset Tubular	Trim	Tubular Latch	Passage Rose	Total Tubular
5055.xxx.MR	5032.xxx	5510.xxx	150,260,112	Tubular	2 3/8"	\$145	\$55	\$44	\$244
5073.xxx.MR	5006.xxx	5510.xxx	150,260,112	Tubular	2 3/8"	\$145	\$55	\$36	\$236
5068.xxx.MR	5070.xxx	5510.xxx	150,260,112	Tubular	2 3/8"	\$160	\$55	\$50	\$265
5023.xxx.MR	5059.xxx	5510.xxx	150,260,112	Tubular	2 3/8"	\$115	\$55	\$50	\$220
5045.xxx.MR	5046.xxx	5510.xxx	150,260,112	Tubular	2 3/8"	\$160	\$55	\$44	\$259

HOW TO ORDER PRIVACY EXAMPLE: Pick Knob + Rose + Latch

Lever #	Privacy Rose	Latch 2 3/8"	Finishes	Mechanism	Backset Tubular	Trim	Tubular Latch	Privacy Rose	Total Tubular
5055.xxx.MR	5139.xxx	5510.xxx.P	150,260,112	Tubular	2 3/8"	\$145	\$55	\$44	\$244
5073.xxx.MR	5139.xxx	5510.xxx.P	150,260,112	Tubular	2 3/8"	\$145	\$55	\$44	\$244
5068.xxx.MR	5123.xxx	5510.xxx.P	150,260,112	Tubular	2 3/8"	\$160	\$55	\$50	\$265
5023.xxx.MR	5159.xxx	5510.xxx.P	150,260,112	Tubular	2 3/8"	\$115	\$55	\$50	\$220
5045.xxx.MR	5146.xxx	5510.xxx.P	150,260,112	Tubular	2 3/8"	\$160	\$55	\$44	\$259

DOOR THICKNESS: Code.004

Size	1 3/8"	1 3/4"	2"	2 1/4"	2 1/2"
Passage	Included	0511	0512	0513	0513
Privacy	Included	0522	0521	0523	0523

*For pre-bored doors, must order adaptor (6502.009) add \$10 and must use roses 2.265" in size.

*Also available in Mortise. See Price Book.

*2 3/4" Tubular Backset available.

*Doors thicker than 1 3/8", add \$12 spindle.

*Lifetime PVD finishes: Satin Nickel (056) and Polished Nickel (055) add \$35 to the total.

*xxx = Finish



Soho Lever - 5485V



5023 Knob w/ Contemporary Rose



5162 Lever w/ R017 Rose



Contemporary Knob w/ Contemporary Rose

HOW TO ORDER EXAMPLE: Pick Trim + Function (.PASS, .PRIV or .ENTR)

Description	Trim #	Finishes	Function	Mechanism	Backset	Door Thickness	Price	Total
Soho Lever	5485V.xxx	150,260,112	Passage or Privacy	Tubular	2 3/8"	1 3/8"	\$160	\$160
5162 Lever w/ R017 Rose	5162.xxx	150,260,112	Passage or Privacy	Tubular	2 3/8"	1 3/8"	\$180	\$180
Contemporary Knob w/ Contemporary Rose	5218.xxx	150,260,112	Entry	Tubular	2 3/8"	1 3/8"	\$220	\$220
5023 Knob w/ Contemporary Rose	5278.xxx	150,260,112	Entry	Tubular	2 3/8"	1 3/8"	\$220	\$220

*xxx = Finish



5190E w/ 5056E Rose



5162E w/ 5032E Rose



5166E w/ 5056E Rose

HOW TO ORDER EXAMPLE: 5190E.xxx.MR + 5056E.xxx.ps + Cylinder.xxx + Spindle + 6735E.xxx + 5056E.xxx.KC

Description	Trim #	Finishes	Function	Mechanism	Backset	Door Thickness	Price	Mortise	Cylinder	Rose	Spindle	Turn Knobs	Cylinder Collar	Total Mortise Privacy	Total Mortise Passage
5190E w/ 5056E Rose	5190E	150,260,112	Passage or Entry	Mortise	58mm-85mm	45mm-60mm	\$145	N/A	\$50	\$50	\$12	\$35	\$50	\$342	\$257
5162E w/ 5032E Rose	5162E	150,260,112	Passage or Entry	Mortise	58mm-85mm	45mm-60mm	\$145	N/A	\$50	\$50	\$12	\$35	\$50	\$342	\$257
5166E w/ 5056E Rose	5166E	150,260,112	Passage or Entry	Mortise	58mm-85mm	45mm-60mm	\$145	N/A	\$50	\$50	\$12	\$35	\$50	\$342	\$257

SINGLE CYLINDERS - C KEYWAY

Door Thickness		35mm	40mm	45mm	50mm
Rose Trim	Thickness	Cylinder Length	Cylinder Length	Cylinder Length	Cylinder Length
5032E / 5056E	10.0mm	60mm (8322E)	70mm (8323E)	70mm (8323E)	80mm (8324E)
5027E	12.1mm	70mm (8323E)	70mm (8323E)	80mm (8324E)	80mm (8324E)
5017E	12.7mm	70mm (8323E)	70mm (8323E)	80mm (8324E)	80mm (8324E)
5016E	13.8mm	70mm (8323E)	70mm (8323E)	80mm (8324E)	80mm (8324E)

SINGLE CYLINDERS - C KEYWAY

Description	Trim #	112, 264
60mm European Cylinder	8322E.xxx	\$50
70mm European Cylinder	8323E.xxx	\$50
80mm European Cylinder	8324E.xxx	\$50



5032E Cylinder Collar



5056E Cylinder Collar



6735E Turn Knob

HANDING OPTIONS

SUFFIX

Right hand	R
Left Hand	L

*Cylinder collar same code as rose, but .KC not .PS.

*Turn knob 6735E.xxx.

*For passage ordering, remove cylinder and cylinder collar.

*xxx = Finish



**CONTEMPORARY
DEADBOLT IN
SATIN NICKEL FINISH**



Soho Sectional - 85386



Contemporary - 8244



Contemporary - 8041



Contemporary - 8220



Soho Deadbolt - 8285

HOW TO ORDER EXAMPLE: Pick Trim + Sectional

Description	Trim #	Finishes	Function	Mechanism	Adjustable Backset	Door Thickness	Price
Soho Deadbolt	8285.xxx.AC1	150,260	Deadbolt	Tubular	2 3/8" & 2 3/4"	1.75"-2.00"	\$465
Soho Sectional	85386.xxx.ACRH (.ACLH)	150,260	Handleset	Tubular	2 3/8" & 2 3/4"	1.75"-2.00"	\$335

HOW TO ORDER EXAMPLE: Pick Trim (SC or DC)

Description	SC Trim #	DC Trim #	Finishes	Function	Adjustable Backset	Door Prep	SC	DC
Contemporary	8244.xxx	N/A	150,260,112	Deadbolt	2 3/8" & 2 3/4"	2 1/8"	\$130	N/A
Contemporary	8041.xxx	8042.xxx	150,260,112	Deadbolt	2 3/8" & 2 3/4"	1 5/8"	\$95	\$120
Contemporary	8220.xxx	8221.xxx	150,260,112	Deadbolt	2 3/8" & 2 3/4"	2 1/8"	\$95	\$120
Soho Deadbolt	8285.xxx	8286.xxx	150,260,112	Deadbolt	2 3/8" & 2 3/4"	2 1/8"	\$110	\$135

*SC - Single Cylinder / DC - Double Cylinder

*xxx = Finish



Santa Monica LG



Santa Monica LG



Santa Monica LG



Santa Monica SM



Santa Monica SM

HOW TO ORDER EXAMPLE: PD005.xxx.PRIV

Description	Trim #	Finishes	Function	Mechanism	Backset	Price
Santa Monica LG	PD005.xxx.PRIV	150,260,112	Privacy	Mortise	2.5"	\$535
Santa Monica LG	PD005.xxx.PASS	150,260,112	Passage	Mortise	2.5"	\$470
Santa Monica LG	PD005.xxx.PS	150,260,112	Inactive Passage	N/A	N/A	\$210
Santa Monica SM	PD006.xxx.PRIV	150,260,112	Privacy	Mortise	2.5"	\$495
Santa Monica SM	PD006.xxx.PASS	150,260,112	Passage	Mortise	2.5"	\$430
Santa Monica SM	PD006.xxx.PS	150,260,112	Inactive Passage	N/A	N/A	\$170

*Mortise included in total price.
 *xxx = Finish

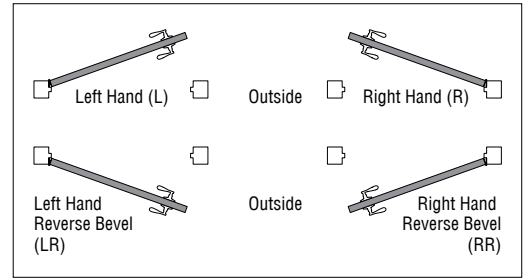
**SANTA MONICA SM
POCKET DOOR LOCK IN
SATIN NICKEL FINISH**



HOW TO ORDER | ESTATE™ LINE - ENTRANCE SETS

- STEP 1** DOOR THICKNESS
- STEP 2** DOOR BACKSET
- STEP 3** DOOR HANDING

DOOR HANDING



BEFORE ORDERING, KNOW THE ABOVE INFORMATION.

- STEP 1** PICK YOUR HANDLESET TRIM, W/ KNOB OR LEVER: (LEVERS MUST BE USED W/ LEVER STRENGTH MORTISE)
- STEP 2** PICK YOUR MORTISE BOX

	Suffix*	Minus Strike*
Right hand	.R	.RDT
Left hand	.L	.LDT
Right hand Reverse bevel	.RR	.RRDT
Left hand Reverse bevel	.LR	.LRDT
Right hand Lever Strength	.RLS	.RLSDT
Left hand Lever Strength	.LLS	.LLSDT
Right hand Reverse bevel Lever Strength	.RRLS	.RRLSDT
Left hand Reverse bevel Lever Strength	.LRLS	.LRLSDT
Right hand Reverse bevel Lever Strength with 1" Front	.RRB1	—
Left hand Reverse bevel Lever Strength with 1" Front	.LRB1	—

Backset	Door Thickness	Function	Mortise Box	HANDLESET X KNOB		HANDLESET X LEVER		KNOB X KNOB	LEVER X LEVER
				Handing	PartNumber	Handing	Part Number	Part Number	Part Number
2.75"	1.75" and up	Residential Entrance	6020	R	6020.xxx.R	RLS	6020.xxx.RLS	6001.xxx.R	6001.xxx.RLS
				L	6020.xxx.L	LLS	6020.xxx.LLS	6001.xxx.L	6001.xxx.LLS
				RR	6020.xxx.RR	RRLS	6020.xxx.RRLS	6001.xxx.RR	6001.xxx.RRLS
				LR	6020.xxx.LR	LRLS	6020.xxx.LRLS	6001.xxx.LR	6001.xxx.LRLS
2.75"	1.75" and up	Residential Entrance Emergency Egress	6021	R	6021.xxx.R	RLS	6021.xxx.RLS	6075.xxx.R	6075.xxx.RLS
				L	6021.xxx.L	LLS	6021.xxx.LLS	6075.xxx.L	6075.xxx.LLS
				RR	6021.xxx.RR	RRLS	6021.xxx.RRLS	6075.xxx.RR	6075.xxx.RRLS
				LR	6021.xxx.LR	LRLS	6021.xxx.LRLS	6075.xxx.LR	6075.xxx.LRLS
2.75"	1.75" and up	Entrance Back-to-Back	6025	-	-	-	-	-	
2.5"	1.375/1.75 and up	Residential Entrance	6320	R	6320.xxx.R	RLS	6320.xxx.RLS	6301.xxx.R	6301.xxx.RLS
				L	6320.xxx.L	LLS	6320.xxx.LLS	6301.xxx.L	6301.xxx.LLS
				RR	6320.xxx.RR	RRLS	6320.xxx.RRLS	6301.xxx.RR	6301.xxx.RRLS
				LR	6320.xxx.LR	LRLS	6320.xxx.LRLS	6301.xxx.LR	6301.xxx.LRLS
2.5"	1.375/1.75 and up	Residential Entrance Emergency Egress	6321	R	6321.xxx.R	RLS	6321.xxx.RLS	6375.xxx.R	6375.xxx.RLS
				L	6321.xxx.L	LLS	6321.xxx.LLS	6375.xxx.L	6375.xxx.LLS
				RR	6321.xxx.RR	RRLS	6321.xxx.RRLS	6375.xxx.RR	6375.xxx.RRLS
				LR	6321.xxx.LR	LRLS	6321.xxx.LRLS	6375.xxx.LR	6375.xxx.LRLS
2.5"	1.375/1.75 and up	Entrance Back-to-Back	6325	-	-	-	-	-	

- STEP 3** PICK YOUR CYLINDER (SEE PAGE 23)
- IF YOUR DOOR IS NOT 1.75" THICK, ALSO REQUIRED:**
- STEP 4** SPINDLE (SEE PAGE 23)
- STEP 5** THICK DOOR KIT (SEE PAGE 23)
- STEP 6** EXTENDED LIP STRIKE (SEE PAGE 23)

THICKER DOOR CYLINDERS

Door thickness Cylinder: code.xxx(Finish) Example: 8321.150 | Attention: Cylinders *8326 - 8330 add \$60

Handlesets	Model #	1.75"	2"	2.5"	3" (add+\$60)
Soho 3/4 escucheon	85387	N/A	N/A	N/A	N/A
San Diego	6540	8321	8322	8324	8326
New York	6562	8323	8323	8325	8327
Chicago	6563	8321	8322	8324	8326
Atlanta	6570	8323	8324	8326*	8328
Santa monica	6915	8323	8324	8326*	8328
Lakeshore	6966	8323	8324	8326*	8328
Minneapolis	6976	8323	8324	8326*	8328
Dallas	6931	8321	8322	8324	8326
Houston	6973	8324	8325	8327*	8329

THICKER DOOR SPINDLES ADD \$12

code.004

Handlesets	Model #	1.75"	2"	2.25"	2.5"
Soho 3/4 escucheon	85387	N/A	N/A	N/A	N/A
San Diego	6540	0530	0530	0530	0530
New York	6562	0530	0530	0530	0531
Chicago	6563	0530	0530	0530	0530
Atlanta	6570	0530	0530	0531	0531
Santa monica	6915	0521	0523	0524	0524
Lakeshore	6966	0530	0530	0531	0531
Minneapolis	6976	0530	0530	0531	0531
Dallas	6931	0530	0530	0530	0530
Houston	6973	0521	0523	0524	0524

MORTISE, WOOD DOOR KIT

Kit	For Entrance Trim #	Price
6501.000.A	6515, 6520, 6526, 6540, 6541, 6543, 6549, 6556, 6557, 6560, 6564, 6565, 6567, 6568, 6570, 6571, 6572, 6573, 6931, 6946, 6948, 6950, 6963, 6976 active & dummy	\$6
6501.000.B	6548, 6562, 6563, 6915 active & dummy	20
6501.000.C	6944, 6952, 6999 active & dummy, M502, M504, M512, M514, M516, M522	30
6501.000.D	6542, 6544, 6545 ACTIVE ONLY	18
6501.000.E	6542, 6544, 6545 DUMMY ONLY	22
6501.000.F	6966	26

REQUIRED for all doors over 1.75" and up to 2.25" thick Thick Door Kits

ASA STRIKES - EXTENDED LIP

Item #	Function	150, 112, 260	150, 112, 260
6037.xxx.XXXX	2.75" backset latch, deadbolt, aux latch		
6038.xxx.XXXX	2.75" backset latch only		
6039.xxx.XXXX	2.75" backset latch, deadbolt	\$65	\$70
6338.xxx.XXXX	1.5," 2," 2.5" backset latch only		
6339.xxx.XXXX	1.5," 2," 2.5" backset latch, deadbolt		

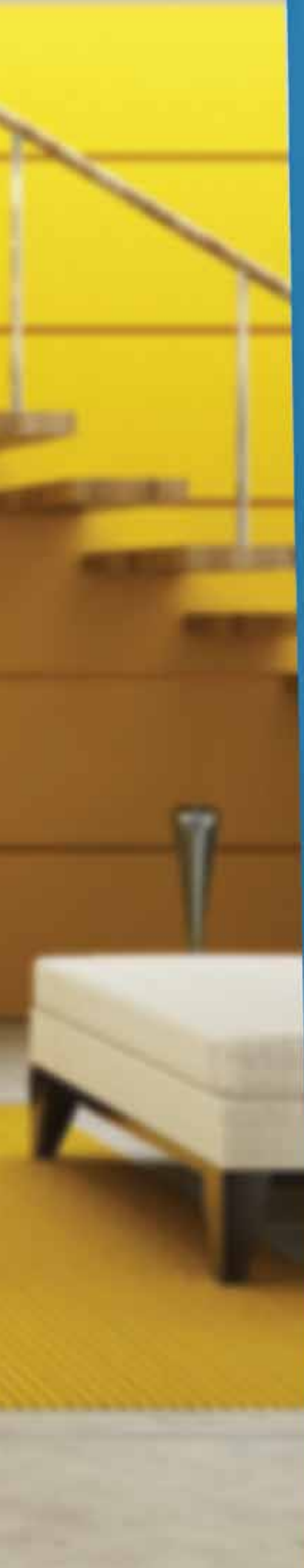
.XXXX indicates Extended Lip to Center size = .R158, .L158, .R178, .L178, .R214, .L214, .R300, .L300

6037, 6038, 6039, 6338, 6339.xxx – EXTENDED LIP STRIKES (HANDED)

- > Use with locks installed on special door/frame conditions
- > Supplied with a curved lip only
- > ALWAYS SPECIFY HAND OF DOOR AND REQUIRED LENGTH
- > Note: Reverse bevel doors use opposite hand for strike selection (ie. Right hand reverse bevel use left hand strike.)
- > Lip to Center lengths:
 - .R158 or .L158 – 1.625" (41mm)
 - .R178 or .L178 – 1.875" (48mm)
 - .R214 or .L214 – 2.25" (57mm)
 - .R300 or .L300 – 3" (76mm)

Lip to Center length determined by the following formula:

Door thickness ÷ 2 + .375" (10mm) = Lip to Center length
Round to closest size



**SEATTLE HANDLESET
IN POLISHED
CHROME FINISH**



Seattle (SEA)



Miami (MIA)



Napa (NAP)



Delmar (DEL)

HANDLESETS											
Description	Trim #	Inside	Finishes	Function	Roses	Inside	Adjustable Backset	Door Thickness	SC	DC	Total
Seattle	SEA	SQU or TUB	150,260,112	Handleset	CSR,CRR	Lever	2 3/8" & 2 3/4"	1.75"-2.00"	\$305	\$305	\$305
Miami	MIA	SQU or TUB	150,260,112	Handleset	CSR,CRR	Lever	2 3/8" & 2 3/4"	1.75"-2.00"	\$305	\$305	\$305
Napa	NAP	FED or ROU	150,260,112	Handleset	TRR,TSR	Lever or Knob	2 3/8" & 2 3/4"	1.75"-2.00"	\$270	\$270	\$270
Delmar	DEL	FED or ROU	150,260,112	Handleset	TRR,TSR	Lever or Knob	2 3/8" & 2 3/4"	1.75"-2.00"	\$305	\$305	\$305

HOW TO ORDER EXAMPLE: Function.Handleset x Knob/Lever.Handing.Rose.Finish (Out x In)								
Function	Handleset	X	Knob/Lever	Door Handing	Rose	Finish Outside	Finish Inside	Final Sku To Order
Single Cylinder (SC)	SEA	x	SQU	R	CSR	260	260	SC.SEAxSQU.R.CSR.260
Double Cylinder (DC)	DEL	x	FED	L	TRR	112	150	DC.DELxFED.L.TRR.112X150

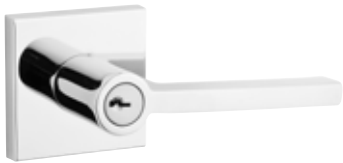
*See page 27, for inside roses and levers.

*See page 26, for inside product. Square (SQU), Tube (TUB), Round (ROU), Federal (FED).

*xxx = Finish



Round (ROU)



Square (SQU)



Tube (TUB)



Federal (FED)

HOW TO ORDER EXAMPLE: Function . Model . Handling . Rose . Finish (EN.SQU.R.CSR.150)

Description	Trim #	Finishes	Handling	Rose	Style	Adjustable Backset	Door Thickness	Total
Square	SQU	150,260,112	Right or Left	CSR,CRR	Lever	2 3/8" & 2 3/4"	1 3/8"-2"	\$170
Tube	TUB	150,260,112	Right or Left	CSR,CRR	Lever	2 3/8" & 2 3/4"	1 3/8"-2"	\$170
Round	ROU	150,260,112	Right or Left	TRR,TSR	Knob	2 3/8" & 2 3/4"	1 3/8"-2"	\$170
Federal	FED	150,260,112	Right or Left	TRR,TSR	Lever	2 3/8" & 2 3/4"	1 3/8"-2"	\$170

Traditional Rose Options		Contemporary Rose Options	
TRR	TSR	CRR	CSR

*Entry (EN)
*xxx = Finish



Round (ROU)



Square (SQU)



Tube (TUB)



Federal (FED)

HOW TO ORDER EXAMPLE: Function . Model . Handling . Rose . Finish (PV.ROU.R.TRR.112)

Description	Trim #	Finishes	Handling	Rose	Style	Adjustable Backset	Door Thickness	Total
Square	SQU	150,260,112	Right or Left	CSR,CRR	Lever	2 3/8" & 2 3/4"	1 3/8"-2"	\$105
Tube	TUB	150,260,112	Right or Left	CSR,CRR	Lever	2 3/8" & 2 3/4"	1 3/8"-2"	\$105
Round	ROU	150,260,112	Right or Left	TRR,TSR	Knob	2 3/8" & 2 3/4"	1 3/8"-2"	\$105
Federal	FED	150,260,112	Right or Left	TRR,TSR	Lever	2 3/8" & 2 3/4"	1 3/8"-2"	\$105

Traditional Rose Options		Contemporary Rose Options	
TRR	TSR	CRR	CSR

*Privacy (PV) or Passage (PS)
 *xxx = Finish



Traditional Square



Contemporary Round



Contemporary Square

HOW TO ORDER DEADBOLTS: SC.CSD.150							
Description	Trim #	Finishes	Function	Adjustable Backset	Door Thickness	SC	DC
Traditional Square	TSD	150,260,112	Deadbolts	2 3/8" & 2 3/4"	1 3/8"-2"	\$60	\$65
Contemporary Round	CRD	150,260,112	Deadbolts	2 3/8" & 2 3/4"	1 3/8"-2"	\$60	\$65
Contemporary Square	CSD	150,260,112	Deadbolts	2 3/8" & 2 3/4"	1 3/8"-2"	\$60	\$65

**CONTEMPORARY
ROUND DEADBOLT
IN POLISHED
CHROME FINISH**



HOW TO ORDER™ | RESERVE LINE

HANDLESETS

1. Required – Start your order configuration with the following required information:

DC . ELIXDEC . L . TAR . 112x150

Example: "I would like two Double Cylinder SmartKey-Elizabeth handlesets keyed alike in venetian bronze finish with the traditional arch rose and decorative lever in satin nickel on the interior. The door is left hand and my door is currently prepared for round corner latches and strikes."

Function		Style Exterior X Interior			Handing	Rose	Finish Exterior x Interior				
SC	Single Cylinder	ADI	Adirondack	ELL	Ellipse	L	Left	TRR	Trad. Round Rose	<i>Traditional Styles</i>	
DC	Double Cylinder	CHE	Chesapeake	ROU	Round	R	Right	TAR	Trad. Arch Rose	003	Polished Brass
FD	Full Dummy	COL	Columbus	RUS	Rustic			TSR	Trad. Square Rose	049	Matte Brass & Black
		COT	Cottonwood	TRA	Traditional			CRR	Cont. Round Rose	112	Venetian Bronze
		DEL	Del Mar	ARC	Arch			CSR	Cont. Square Rose	150	Satin Nickel
		ELI	Elizabeth	CUR	Curve			RAR	Rustic Arch Rose	152	Matte Antique Nickel
		ELK	Elkhorn	DEC	Decorative			RSR	Rustic Square Rose	260	Polished Chrome
		FAI	Fairbanks	FED	Federal					<i>Contemporary Styles</i>	
		KOD	Kodiak	SQU	Square					112	Venetian Bronze
		LON	Longview	TAP	Taper					150	Satin Nickel
		MIA	Miami	TUB	Tube					260	Polished Chrome
		NAP	Napa							<i>Rustic Styles</i>	
		NEW	New Hampshire							481	Dark Bronze
		SEA	Seattle							492	White Bronze
		WES	Westcliff							Levers Only	

DEADBOLTS

1. Required – Start your order configuration with the following required information:

SC . TRDXTAD . 150x003

Example: "I would like a single cylinder traditional round deadbolt in satin nickel finish, but I prefer the traditional arch tumpline instead. The tumpline should be brass color."

Function		Style Exterior X Interior		Finish Exterior x Interior	
SC	Single Cylinder	TRD	Traditional Round Deadbolt	<i>Traditional Styles</i>	
DC	Double Cylinder	TAD	Traditional Arch Deadbolt	003	Polished Brass
PT	Patio	TSD	Traditional Square Deadbolt	049	Matte Brass & Black
		CRD	Contemporary Round Deadbolt	112	Venetian Bronze
		CSD	Contemporary Square Deadbolt	150	Satin Nickel
		RAD	Rustic Arch Deadbolt	152	Matte Antique Nickel
		RSD	Rustic Square Deadbolt	260	Polished Chrome
				<i>Contemporary Styles</i>	
				112	Venetian Bronze
				150	Satin Nickel
				260	Polished Chrome
				<i>Rustic Styles</i>	
				481	Dark Bronze
				492	White Bronze

KNOBS

1. Required – Start your order configuration with the following required information:

PV . TRA . N/A . TRRXSTAR . 150

Example: "I am looking for the traditional knob with the traditional round rose outside and traditional arch rose inside. I need two privacy knobs. They should all be in satin nickel finish."

Function		Style Exterior X Interior			Handing	Rose Exterior X Interior	Finish Exterior x Interior				
EN	Entry	ELL	Ellipse	ARC	Arch	L	Left	TRR	Trad. Round Rose	<i>Traditional Styles</i>	
PS	Passage	ROU	Round	CUR	Curve	R	Right	TAR	Trad. Arch Rose	003	Polished Brass
PV	Privacy	RUS	Rustic	DEC	Decorative			TSR	Trad. Square Rose	049	Matte Brass & Black
FD	Full Dummy	TRA	Traditional	ELL	Ellipse			CRR	Cont. Round Rose	112	Venetian Bronze
HD	Half Dummy			FED	Federal			CSR	Cont. Square Rose	150	Satin Nickel
				ROU	Round			RAR	Rustic Arch Rose	152	Matte Antique Nickel
				RUS	Rustic			RSR	Rustic Square Rose	260	Polished Chrome
				SQU	Square					<i>Contemporary Styles</i>	
				TAP	Taper					112	Venetian Bronze
				TRA	Traditional					150	Satin Nickel
				TUB	Tube					260	Polished Chrome
										<i>Rustic Styles</i>	
										481	Dark Bronze
										492	White Bronze

LEVERS

1. Required – Start your order configuration with the following required information:

EN . TUB . R . CRR . 150x260

Example: "I would like an entry tube lever with contemporary round rose with 150 exterior and 260 interior. The door is right hand and currently prepared for round corner latches and strikes."

Function		Style Exterior X Interior			Handing	Rose Exterior X Interior	Finish Exterior x Interior				
EN	Entry	ARC	Arch	ARC	Arch	L	Left	TRR	Trad. Round Rose	<i>Traditional Styles</i>	
PS	Passage	CUR	Curve	CUR	Curve	R	Right	TAR	Trad. Arch Rose	003	Polished Brass
PV	Privacy	DEC	Decorative	DEC	Decorative			TSR	Trad. Square Rose	049	Matte Brass & Black
FD	Full Dummy	FED	Federal	ELL	Ellipse			CRR	Cont. Round Rose	112	Venetian Bronze
HD	Half Dummy	SQU	Square	FED	Federal			CSR	Cont. Square Rose	150	Satin Nickel
		TAP	Taper	ROU	Round			RAR	Rustic Arch Rose	152	Matte Antique Nickel
		TUB	Tube	RUS	Rustic			RSR	Rustic Square Rose	260	Polished Chrome
				SQU	Square					<i>Contemporary Styles</i>	
				TAP	Taper					112	Venetian Bronze
				TRA	Traditional					150	Satin Nickel
				TUB	Tube					260	Polished Chrome
										<i>Rustic Styles</i>	
										481	Dark Bronze
										492	White Bronze

HANDLESETS

2. Options – Add additional customization with the following optional features:

	STD	RL	RS	SMT	K2
Door Thickness	Latch		Strike	Cylinder	Keying
STD	1.75" to 2" Doors*	SL Square Corner Latch*	SS Square Corner Strike*	CKY C-Keyway Pin & Tumbler*	KD Keyed Different*
THK	2" to 2.5" Doors	RL Round Corner Latch	RS Round Corner Strike	SMT SmartKey	KA Keyed Alike (A=#)
THN	1.375" to 1.75" Doors**	DL Drive In Latch	DS Dual Strike Kit		CK Construction Key
		6L 6 Way Latch			KC Key Code
		SLUL Square Corner UL Latch			MK Master Key
		RLUL Round Corner UL Latch			WITH Separate Lines Keyed Together
		DLUL Drive In Corner UL Latch			

NOTES

- Handing only required when ordering with lever interior style and is always measured from the exterior of the door.
- Rose style will determine interior deadbolt turnpiece style.
- Dummy handlesets use a Single Cylinder interior style (with non-functioning turnpiece)
- Indicate exterior x interior finish when ordering split finishes - if single finish, specify only once.

OPTIONS NOTES

***Orders will ship with default options in bold unless otherwise specified.**

****Available with Napa and Westcliff styles, SC and DC.**

DEADBOLTS

2. Options – Add additional customization with the following optional features:

	STD	SL	SS	CKY	N/A
Door Thickness	Latch		Strike	Cylinder	Keying
STD	1.75" to 2" Doors*	SL Square Corner Latch*	SS Square Corner Strike*	CKY C-Keyway Pin & Tumbler*	KD Keyed Different*
THK	2" to 2.5" Doors	RL Round Corner Latch	RS Round Corner Strike	SMT SmartKey	KA Keyed Alike (A=#)
THN	1.375" to 1.75" Doors**	DL Drive In Latch	DS Dual Strike Kit		CK Construction Key
		6L 6 Way Latch	FS Full Lip Deadbolt Strike		KC Key Code
		SLUL Square Corner UL Latch			MK Master Key
		RLUL Round Corner UL Latch			WITH Separate Lines Keyed Together
		DLUL Drive In Corner UL Latch			

NOTES

- Indicate exterior x interior style or finish when ordering split styles or finishes - if single style or finish, specify only once.

OPTIONS NOTES

***Orders will ship with default options in bold unless otherwise specified.**

****Available with Traditional and Contemporary styles, SC and DC.**

KNOBS

2. Options – Add additional customization with the following optional features:

	STD	SL	SS	N/A
Door Thickness	Latch		Strike	Keying
STD	1.375" to 2" Doors*	SL Square Corner Latch*	SS Square Corner Strike*	KD Keyed Different*
THK	2" to 2.5" Doors	RL Round Corner Latch	RS Round Corner Strike	KA Keyed Alike (A=#)
		DL Drive In Latch	DS Dual Strike Kit	CK Construction Key
		6L 6 Way Latch		KC Key Code
		SLUL Square Corner UL Latch		MK Master Key
		RLUL Round Corner UL Latch		WITH Separate Lines Keyed Together
		DLUL Drive In Corner UL Latch		

NOTES

- Handing only required when ordering with lever interior style and is always measured from the exterior of the door.
- Indicate exterior x interior style, rose, or finish when ordering split styles, roses, or finishes - if single style, rose, or finish, specify only once.

OPTIONS NOTES

***Orders will ship with default options in bold unless otherwise specified.**

Available with C-Keyway cylinder only.

LEVERS

2. Options – Add additional customization with the following optional features:

	STD	RL	RS	KD
Door Thickness	Latch		Strike	Keying
STD	1.375" to 2" Doors*	SL Square Corner Latch*	SS Square Corner Strike*	KD Keyed Different*
THK	2" to 2.5" Doors	RL Round Corner Latch	RS Round Corner Strike	KA Keyed Alike (A=#)
		DL Drive In Latch	DS Dual Strike Kit	CK Construction Key
		6L 6 Way Latch		KC Key Code
		SLUL Square Corner UL Latch		MK Master Key
		RLUL Round Corner UL Latch		WITH Separate Lines Keyed Together
		DLUL Drive In Corner UL Latch		

NOTES

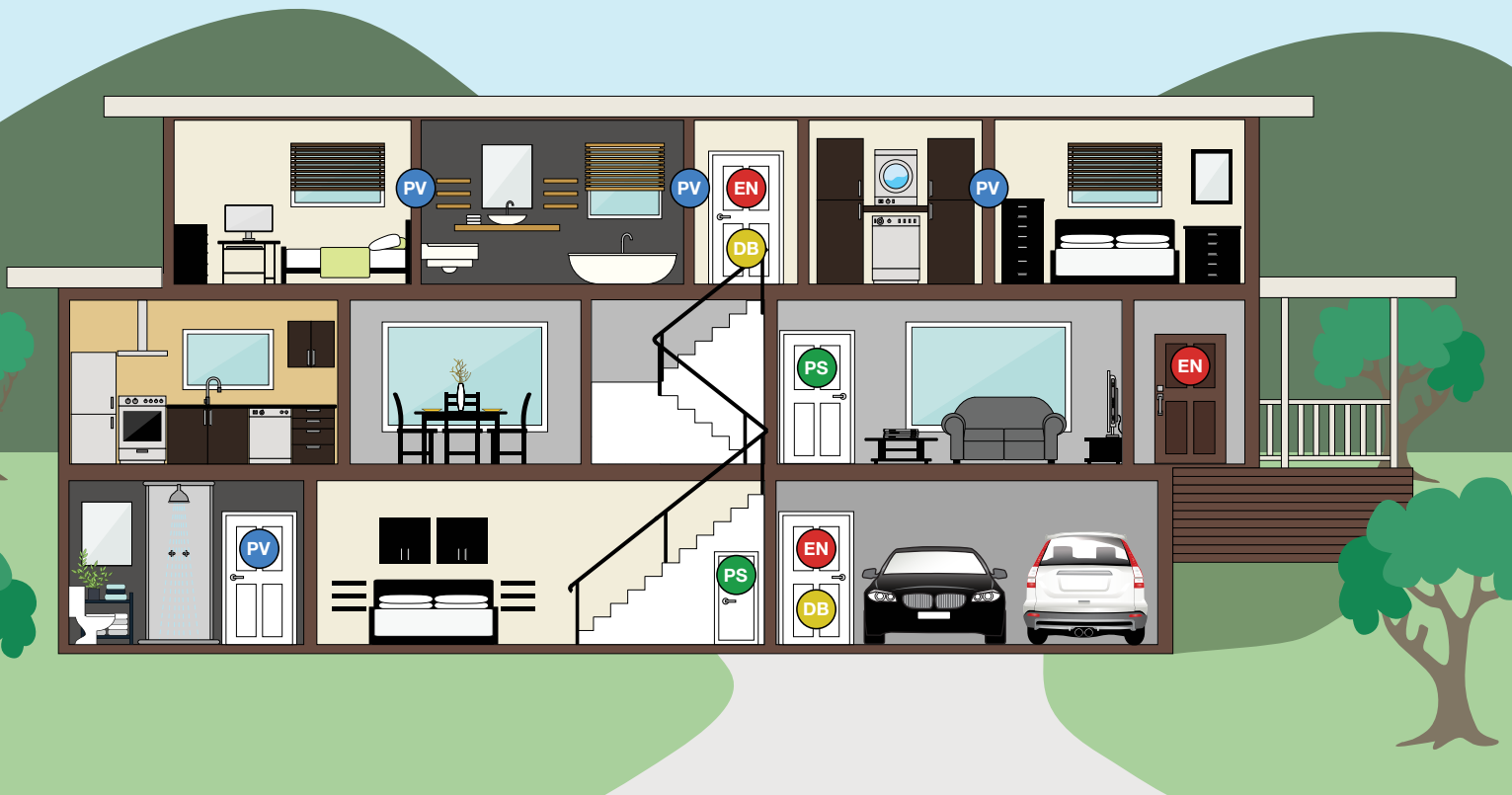
- Handing required when ordering half dummy function, and with orders that will be split finish, split lever style, or split with a knob. Handing always measured from the exterior of the door.
- Indicate Exterior x Interior style, rose, or finish when ordering split styles, roses, or finishes - if single style, rose, or finish, specify only once.

OPTIONS NOTES

***Orders will ship with default options in bold unless otherwise specified.**

Available with C-Keyway cylinder only.

HOUSE SPECIFICATION EXAMPLE



Entry - Entrance, with turn key.



Passage - Active, no lock.



Privacy - Lock, no key.



Deadbolt - Lock, with key.

Exterior Front Door

STEP 1	WOOD DOOR SWING INSIDE THE HOUSE - RIGHT HAND
STEP 2	DOOR IS 2" (50MM) THICK
STEP 3	BACKSET IS 2.75"
STEP 4	FINISH = SATIN NICKEL (150)

Interior Doors

STEP 1	RIGHT AND LEFT HAND DOORS TUBULAR AND PRE-BORED
STEP 2	1 3/8" (40MM) THICK
STEP 3	2 3/8" BACKSET
STEP 4	FINISH = SATIN NICKEL (150)

ESTATE™

RESERVE™

Exterior Front Doors – Mortise

	Description	Part #	Unit Price	Total
Handle Set	Minneapolis	6976.150.RENT	\$495	\$495
Mortise Lock	2.75" Backset	6020.150.RLS	\$330	\$330
Cylinder	Single cylinder	8324.150	\$50	\$50
Spindle	Half- Spindle	0530.004	Included	N/A
Thick door kit	Extend wood door	6501.000.A	\$6	\$6
Extended lip Strike		6037.150.R158	\$65	\$65
				\$946

Interior Privacy Doors – 4 doors

Trim #	Description	Part #	Unit Price	Total
5166	Lever	5166.150.MR	\$145	\$580
5146	Rose	5146.150	\$44	\$176
Mechanism	Latch	5513.150.P	\$55	\$220
Pre-bored	Adaptor	6502.009	\$10	\$40
				\$1,016

Interior Passage Doors – 4 doors

Trim #	Description	Part #	Unit Price	Total
5166	Lever	5166.150.MR	\$145	\$580
5046	Rose	5046.150	\$44	\$176
Mechanism	Latch	5513.150	\$55	\$220
Pre-bored	Adaptor	6502.009	\$10	\$40
				\$1,016

Deadbolt – 2 doors

Trim #	Description	Part #	Unit Price	Total
Contemporary	Deadbolt	8241.15	\$95	\$190
				\$190

Total House \$3,168

Exterior Front Door – Tubular

	Description	Part #	Unit Price	Total
Handle Set	Seattle	SC.SEAXSQU.R.CSR.150	\$305	\$305
Inside lever	Square			
Rose	Contemporary Square Rose			
			\$305	\$305

Interior Privacy doors – 4 doors

Trim #	Description	Part #	Unit Price	Total
Lever	Square	PV.SQU.R.CSR.150	\$105	\$420
Rose	Contemporary Square Rose			
			\$105	\$420

Interior Passage doors – 2 doors

Trim #	Description	Part #	Unit Price	Total
Lever	Square	PS.SQU.R.CSR.150	\$105	\$210
Rose	Contemporary Square Rose			
			\$105	\$210

Interior Entry doors – 2 doors

Trim #	Description	Part #	Unit Price	Total
Lever	Square	EN.SQU.R.CSR.150	\$170	\$340
Rose	Contemporary Square Rose			
			\$170	\$340

Total House \$1,275

*Two passage doors are entry doors that use a passage lever.
 *Must use roses 2.625' (Large enough to cover 2.125" pre bored doors).
 *May add deadbolt for 2 point locking for an extra \$60 per door w/ Reserve.



FINISHES & WARRANTY



*HAND-RELIEVED FINISH VARIANCES:
(049, 112, 150, 152, 481)
Product finishes which are HAND-RELIEVED may vary in luster, hue, and appearance as a result of handcrafted variances in the final finishing step.

*ESTATE LIFETIME PVD FINISHES
*OTHER FINISHES AVAILABLE

LIMITED LIFETIME MECHANICAL WARRANTY

Baldwin Hardware warrants to the original residential purchaser that each Baldwin product shall be free of mechanical defect for as long as the purchaser occupies the residential premises upon which the product was originally installed.
For finish warranty, please consult the price book.

BALDWIN ACCESSORIES

Baldwin offers a wide variety of accessories in all finishes to complement your door hardware. Please check our entire offering in our price books and website.



BALDWIN®

19701 DA VINCI · LAKE FOREST · CALIFORNIA 92610

P. 800.437.7448

F. 800.255.9785

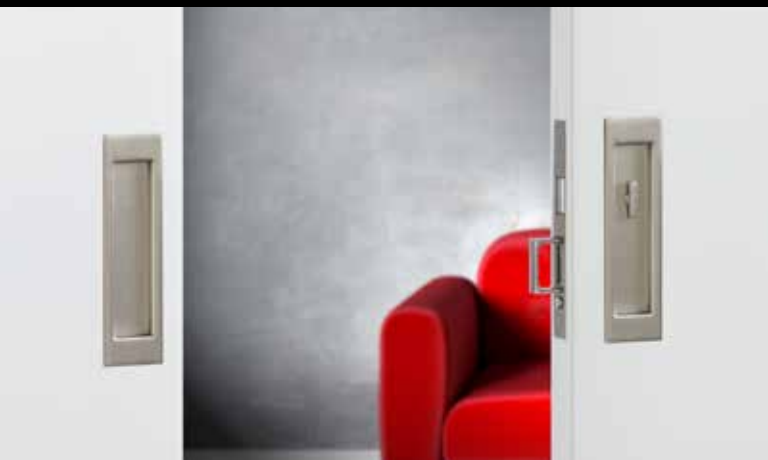
BALDWINHARDWARE.COM

IN-L-B40015

©2015 SPECTRUM BRANDS, INC. LAKE FOREST, CA. USA

BALDWIN®

ESTATE™



LOCK PORTFOLIO 2015



BALDWIN®

Baldwin hardware is so much more than a timeless and trustworthy brand that creates a charismatic presence in any home. Baldwin is about creating a signature look that seamlessly blends Baldwin hardware with the personality of its owner, and showing the world what true luxury is really worth.

There is a way for every home to “OWN IT” with Baldwin. From our Prestige Series that offers affordable luxury to Reserve, which opens the door to customizable products that deliver lasting impressions, to Estate, our crown jewel that creates your own signature look, “OWN IT” with the best of Baldwin.

ESTATE™

When people say it's lonely at the top, they're definitely not talking about Baldwin Estate. Estate is quality that feels custom made, because it is. Our master craftsmen take their time to create each piece by hand and with the utmost care so you can create your own signature look with seemingly infinite possibilities and elegant finishes. And with options so beautiful, tasteful, well made, and inviting, it's no surprise that Estate is the crowned jewel of the Baldwin brand.

BALDWIN



Lexington®
6560.151



5106.402



Springfield®
6573.003



5000.003

ENTRANCE TRIM



Lancaster®
6543.190



Trenton™
6567.102



Concord®
6571.102



Boston™
6555.102



Reading®
6551.102



Baltimore®
6552.102



Lexington®
6560.102



Williamsburg™
6549.102



Springfield®
6573.102



Wilmington®
6546.102



Georgetown™
6550.102

Unless noted, entrance styles that begin with an 8 are for tubular preparation.

BALDWIN



Logan™
85315.003



Blakely™
85360.150

ENTRANCE TRIM



Blakely® Emergency Egress
85360.151



Buckingham®
85380.102



Glennon™
85375.102



Landon® Two Point Lock
85345.150



Logan™
85315.151



Madison®
85320.402



Stonegate® Emergency Egress
85355.112

Unless noted, entrance styles that begin with an 8 are for tubular preparation.

BALDWIN



Bethpage®
85337.112



Bismark®
6942.003





Bethpage®
85337.112 (Tubular)
M522.112 (Mortise)



Bethpage® Sectional
85327.003



Bismark®
6942.040



Canterbury®
85305.402



Manchester® Emergency Egress
85350.050



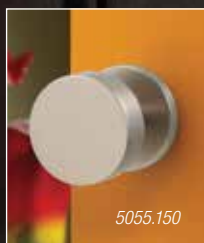
Nantucket®
85370.050

Unless noted, entrance styles that begin with an 8 are for tubular preparation.

BALDWIN



Atlanta®
6570.055



5055.150



Santa Monica™
6530.150



ENTRANCE TRIM



Atlanta®
6570.150



Chicago™
6563.055



Denver®
6940.260



Detroit®
6548.260



Houston®
6973.055



Lakeshore™
6966.055



Lakeshore™ Lever Set
6974.055



Minneapolis®
6976.260



New York®
6562.055



San Diego®
6540.260



Tremont™
6542.055



Santa Monica™
6530.150

Unless noted, entrance styles that begin with an 8 are for tubular preparation.

BALDWIN



Soho®
85387.264



Richmond®
6557.190



5132.190



Soho® ¾ Emergency Egress
85387.056 (Tubular)
M516.056 (Mortise)



Soho® Two Point Lock
85385.264



Soho® Sectional
85386.264



Monterey™
6565.190



Richmond®
6557.190

Unless noted, entrance styles that begin with an 8 are for tubular preparation.

BALDWIN



Barclay®
6554.151



5065.050



Bristol®
6963.003



5064.151

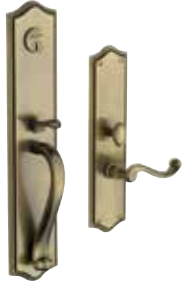
ENTRANCE TRIM



Ashton® Two Point Lock
85365.102



Barclay® Knob Set
6554.040



Bristol®
6963.050



Bristol® Sectional
6420.056 (Tubular)
6520.056 (Mortise)



Bristol® Lever Set
6939.055



Hamilton®
6544.055



Nashville®
6547.040



San Francisco®
6541.040



Stanford™
6951.040

Unless noted, entrance styles that begin with an 8 are for tubular preparation.

BALDWIN



Pasadena™
6944.112



5190.112



Richland®
6999.452



ENTRANCE TRIM



Cody® 3/4 Escutcheon

85352.452 (Tubular)
M502.452 (Mortise)



Cody® Full Escutcheon

6403.452 (Tubular)
M504.452 (Mortise)



Boulder® 3/4 Escutcheon

85354.452 (Tubular)
M512.402 (Mortise)



Boulder® Full Escutcheon

6402.402 (Tubular)
M514.402 (Mortise)



Pasadena™

6944.112



Richland®

6999.452

Unless noted, entrance styles that begin with an 8 are for tubular preparation.

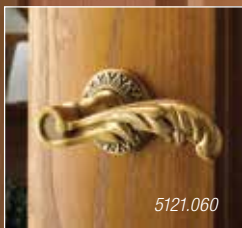
BALDWIN



Kensington®
6950.003



Victoria™
6948.050



5121.060



Edinburgh®
6952.060



Edinburgh® Oval
6516.050



Fenwick®
6962.150



Lakewood®
6922.050



Kensington®
6950.060



Kensington® 3/4 Escutcheon
6426.112 (Tubular)
6526.112 (Mortise)



Versailles®
6933.050



Victoria™
6948.150



Westminster®
6961.060

Unless noted, entrance styles that begin with an 8 are for tubular preparation.



L006.112



K002.050



K003.033



K004.060



K005.055



K006.151



L002.264



L002.264



L004.150



L005.060



L006.112



5069.150



5011.150



5045.150



5066.150



5068.150



5069.150

SEVERIN FAYERMAN COLLECTION



5112.150



5113.150



5116.150



5118.150



5141.150



5000.102



5005.050



5015.102



5020.050



5023.452



5057.050



5025.402



5060.050



5030.102



5065.050



5064.050



5001.030



5055.150



5009.030



5041.260



5013.050



5073.260



5031.050



5024.150



5050.060



5077.150



5067.050



5080.030

BALDWIN



5103.190



5101.050



5104.003



5107.055



5106.190



5108.060



5109.050



5117.050



5114.003



5121.060



5125.003



5122.003



5132.102



5190.102



5152.055



5447V.102



5440V.050



5452V.190



5445V.102



5455V.150

LEVERS



L015.112



5137.150



L016.260



5138.260



L017.112



5161.150



L018.150



5162.150



L020.150



5164.150



L021.150



5165.150



L022.150



5166.150



L023.150



5173.150



5105.150



5460V.150



5115.150



5485V.150

DEADBOLTS



Traditional Deadbolt
8231.150 (also 8021, 8031, 8232)



Contemporary Deadbolt
8241.150 (also 8011, 8041, 8242)



Soho Deadbolt
8285.264 (also 8286)



Bethpage Deadbolt
8237.112 (also 8238)



Arched Deadbolt
8252.402 (also 8253)



**Santa Monica™
Square Deadbolt**
8220.150 (also 8221)



**Concord™
Square Deadbolt**
8254.452 (also 8255)

KEYLESS ENTRY



Soho Deadbolt
8285.150.AC1



Boulder Deadbolt
8252.112.AC1

MIX & MATCH:

With Baldwin, you can customize your door hardware. Mix any Estate™ knob or lever with any rose. Even change out the knob or lever on any handleset or entryset to fit your taste.



*5068 Knob
Shown w/ 5048 Rose*



*5068 Knob
Shown w/ 5038 Rose*



*5068 Knob
Shown w/ 5017 Rose*



*5068 Knob
Shown w/ 5076 Rose*



*5068 Knob
Shown w/ 5002 Rose*



*5068 Knob
Shown w/ 5058 Rose*



*5068 Knob
Shown w/ 5070 Rose*

BALDWIN



***HAND-RELIEVED FINISH VARIANCES:** (050, 060, 112, 151, 412, 452)

Product finishes which are HAND RELIEVED may vary in luster, hue & appearance as a result of handcrafted variances in the final finishing step.

TIER 1



TIER 1

TIER 2



TIER 2

BALDWIN

Introducing the new pocket door lock from Baldwin. Check out the Boulder, Palo Alto and Santa Monica large and small. Available in four styles, we have the pocket door lock for every design aesthetic. Baldwin offers these four styles in privacy, passage and keyed entry, in the highest quality; just what you expect from Baldwin. Unlock your design inspiration.





BALDWIN

BOULDER

The Boulder collection features rustic undertones, and is available in 20 finishes.



PD016.150.KC



PD016.150.KT



PD016.150.KE

PALO ALTO

The Palo Alto style blends soft lines with a contemporary flair. Available in 18 finishes.



PD007.150.KC



PD007.150.KT



PD007.150.KE

SANTA MONICA

The Santa Monica style puts a visual emphasis on vertical and horizontal lines, with a focus on pure geometry without sacrificing comfort. It's available in both Large and Small varieties in all 20 finishes.



PD005.150.KC



PD005.150.KT



PD005.150.KE



PD006.150.KC



PD006.150.KT



PD006.150.KE

POCKET DOOR LOCKS



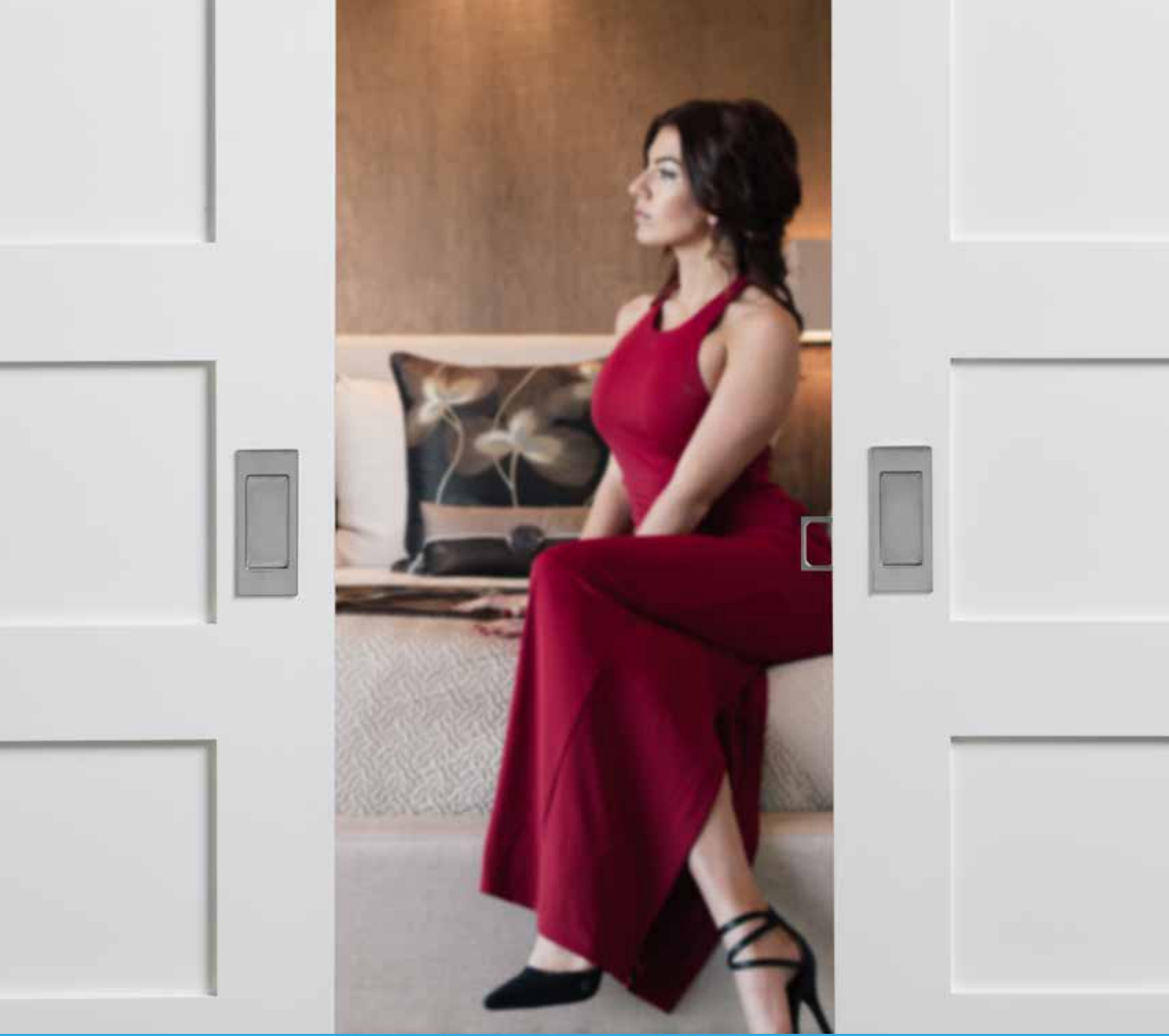
BALDWIN DOOR HARDWARE is available in three distinct product portfolios with different finish selections, styles and levels of configurability. To find out more, visit our website and click on the “Compare Portfolios” button or use our lock designer and style selector tools to find the combination of Baldwin to fit your lifestyle.

BALDWIN®

19701 DA VINCI · LAKE FOREST · CALIFORNIA 92610

800.566.1986

BALDWINHARDWARE.COM



BALDWIN®

INTERNATIONAL CONTEMPORARY CATALOG



BALDWIN® OWN IT.™

Baldwin hardware is a timeless and trustworthy brand that creates a charismatic presence in any home. For seventy years, Baldwin has helped you create a signature look that seamlessly blends Baldwin hardware with the personality of its owner. With 20 finishes, Baldwin Hardware has something for every design aesthetic. With over a 120,000 combinations, there are no limits, no boundaries. Baldwin is about more than just having something special, it's about owning it and showing the world what true luxury is worth.

Prestige Series is a way to bring the legendary excellence of Baldwin into more homes and more hands. With the affordable luxury of Prestige Series, any homeowner can instantly create an atmosphere of confidence from the moment someone opens the door.

The Reserve portfolio is for people who want more. They're looking for more ways to express themselves with the distinctive look of Baldwin and find value in a company with years of experience and a bona fide commitment to greater quality. Far beyond just a lock in a box, Reserve opens the door to a customizable world flowing with inspiration. And it's all ready to go whenever inspiration strikes because it's ready to ship in just 7 days. Reserve is the best of both worlds: accessibility and artful appeal. Leave a lasting impression with Reserve.

When people say it's lonely at the top, they're definitely not talking about **Baldwin Estate**. This impressive top-of-the-line portfolio comes with plenty of company; everyone wants it. Estate includes seemingly infinite possibilities, elegant finishes and exclusive, custom styles. Our master craftsmen take their time to create each piece by hand and with the utmost care so you can create your own signature look. And with options so beautiful, tasteful, well made, and inviting, it's no surprise that Estate is the crown jewel of the Baldwin brand. Estate is quality that feels custom made, because it is.

There is a way for every home to "OWN IT" with Baldwin. From our Prestige Series that offers affordable luxury to Reserve, which opens the door to customizable products that deliver lasting impressions, to Estate, our crown jewel that creates your own signature look, "OWN IT" with the best of Baldwin.

TABLE OF CONTENTS

ESTATE	4-21	PRESTIGE SERIES	30-31
Handlesets	4-7	Spyglass	30-31
Levers	8-12		
Knobs	13		
Pre Configured	14	HOUSE	
European Levers	15	SPECIFICATION	
Keyless Entry / Deadbolts	16-17	EXAMPLE	32
Pocket Door Lock	18-19		
How To Order		LINE COST	
Estate Line -		COMPARISON	33
Entrance Sets	20		
How To Order		BALDWIN PORTFOLIO	
Thicker Doors	21	COMPARISON	34
RESERVE	22-29	FINISHES &	
Handlesets	22-23	WARRANTY	35
Entry	24		
Privacy/Passage	25	BALDWIN	
Deadbolts	26-27	ACCESSORIES	35
How To Order			
Reserve Line	28-29		



**NEW YORK
6562 HANDLESET IN
POLISHED CHROME FINISH**



Soho Sectional

San Diego

New York

Chicago

Atlanta

COMPLETE HANDLESETS											
Description	Trim #	Finishes	Function	Mechanism	Backset	Door Thickness	Trim	Cylinder	Mortise	Total Mortise	Total Tubular
Soho Sectional	85386	150,260,112	Entrance	Tubular	2.5 & 2.75"	1.75"	\$450	N/A	N/A	N/A	\$450
San Diego	6540	150,260,112	Entrance	Mortise	2.5 & 2.75"	1.75"	\$495	\$50	\$330	\$875	N/A
New York	6562	150,260,112	Entrance	Mortise	2.5 & 2.75"	1.75"	\$495	\$50	\$330	\$875	N/A
Chicago	6563	150,260,112	Entrance	Mortise	2.5 & 2.75"	1.75"	\$495	\$50	\$330	\$875	N/A
Atlanta	6570	150,260,112	Entrance	Mortise	2.5 & 2.75"	1.75"	\$495	\$50	\$330	\$875	N/A

HOW TO ORDER: Pick Trim + Mortise + Cylinder			
Description	Trim #	Mortise 2.75"	Cylinder
Soho Sectional	85386.xxx.RENT (.LENT)	N/A	N/A
San Diego	6540.xxx.ENTR	6020.xxx.Suffix	8321.xxx
New York	6562.xxx.ENTR	6020.xxx.Suffix	8323.xxx
Chicago	6563.xxx.ENTR	6020.xxx.Suffix	8321.xxx
Atlanta	6570.xxx.ENTR	6020.xxx.Suffix	8323.xxx

DOOR HANDING	SUFFIX
Right hand	R
Left hand	L
Right hand Reverse bevel	RR
Left hand Reverse bevel	LR

*Thicker Doors. See page 21.

*2.5" Backset available. See page 21.

*Lever handlesets use .RENT or .LENT for door handing.

*Knob handlesets and dual lever entrance use .ENTR.

*Lifetime PVD finishes: Satin Nickel (056) and Polished Nickel (055) add \$100 to the total.

*xxx = Finish



Santa Monica

Lakeshore

Minneapolis

Dallas

Houston

COMPLETE HANDLESETS											
Description	Trim #	Finishes	Function	Mechanism	Backset	Door Thickness	Price	Cylinder	Mortise	Total Mortise	Total Tubular
Santa Monica	6915	150,260,112	Entrance	Mortise	2.5 & 2.75"	1.75"	\$495	\$50	\$330	\$875	N/A
Lakeshore	6966	150,260,112	Entrance	Mortise	2.5 & 2.75"	1.75"	\$795	\$50	\$330	\$1,175	N/A
Minneapolis	6976	150,260,112	Entrance	Mortise	2.5 & 2.75"	1.75"	\$495	\$50	\$330	\$875	N/A
Dallas	6931	150,260,112	Entrance	Mortise	2.5 & 2.75"	1.75"	\$495	\$50	\$330	\$875	N/A
Houston	6973	150,260,112	Entrance	Mortise	2.5 & 2.75"	1.75"	\$495	\$50	\$330	\$875	N/A

HOW TO ORDER: Pick Trim + Mortise + Cylinder			
Description	Trim #	Mortise 2.75"	Cylinder
Santa Monica	6915.xxx.ENTR	6001.xxx.Suffix	8323.xxx
Lakeshore	6966.xxx.RENT (.LENT)	6020.xxx.Suffix	8323.xxx
Minneapolis	6976.xxx.RENT (.LENT)	6020.xxx.Suffix	8323.xxx
Dallas	6931.xxx.RENT (.LENT)	6020.xxx.Suffix	8321.xxx
Houston	6973.xxx.ENTR	6001.xxx.Suffix	8324.xxx

DOOR HANDING (LEVER MORTISE)	SUFFIX
Right hand Lever Strength	RLS
Left hand Lever Strength	LLS
Right hand Reverse bevel Lever Strength	RRLS
Left hand Reverse bevel Lever Strength	LRLS

*Thicker Doors. See page 21.

*2.5" Backset available. See page 21.

*Lever handlesets use .RENT or .LENT for door handing.

*Knob handlesets and dual lever entrance use .ENTR.

*Lifetime PVD finishes: Satin Nickel (056) and Polished Nickel (055) add \$100 to the total.

*xxx = Finish

LAKE SHORE™
6966 HANDLESET IN
SATIN NICKEL FINISH





**5138 LEVER
W/ 5047 ROSE IN
CHROME FINISH**



5115 w/ 5006 Rose



5137 w/ 5006 Rose



5138 w/ 5047 Rose



5141 w/R033 Rose



5161 w/ 5006 Rose



5162 w/5032 Rose

HOW TO ORDER PASSAGE EXAMPLE: Pick Lever + Rose + Latch

Lever #	Passage Rose	Latch 2 3/8"	Finishes	Mechanism	Backset Tubular	Trim	Tubular Latch	Passage Rose	Total Tubular
5115.xxx.MR	5006.xxx	5513.xxx	150,260,112	Tubular	2 3/8"	\$145	\$55	\$36	\$236
5137.xxx.MR	5006.xxx	5513.xxx	150,260,112	Tubular	2 3/8"	\$145	\$55	\$36	\$236
5138.xxx.MR	5047.xxx	5513.xxx	150,260,112	Tubular	2 3/8"	\$145	\$55	\$44	\$244
5141.xxx.MR	R033.xxx	5513.xxx	150,260,112	Tubular	2 3/8"	\$160	\$55	\$44	\$259
5161.xxx.MR	5006.xxx	5513.xxx	150,260,112	Tubular	2 3/8"	\$145	\$55	\$36	\$236
5162.xxx.MR	5032.xxx	5513.xxx	150,260,112	Tubular	2 3/8"	\$145	\$55	\$44	\$244

HOW TO ORDER PRIVACY EXAMPLE: Pick Lever + Rose + Latch

Lever #	Privacy Rose	Latch 2 3/8"	Finishes	Mechanism	Backset Tubular	Trim	Tubular Latch	Privacy Rose	Total Tubular
5115.xxx.MR	5139.xxx	5513.xxx.P	150,260,112	Tubular	2 3/8"	\$145	\$55	\$44	\$244
5137.xxx.MR	5139.xxx	5513.xxx.P	150,260,112	Tubular	2 3/8"	\$145	\$55	\$44	\$244
5138.xxx.MR	5147.xxx	5513.xxx.P	150,260,112	Tubular	2 3/8"	\$145	\$55	\$44	\$244
5141.xxx.MR	R033.xxx.PV	5513.xxx.P	150,260,112	Tubular	2 3/8"	\$160	\$55	\$44	\$259
5161.xxx.MR	5139.xxx	5513.xxx.P	150,260,112	Tubular	2 3/8"	\$145	\$55	\$44	\$244
5162.xxx.MR	5139.xxx	5513.xxx.P	150,260,112	Tubular	2 3/8"	\$145	\$55	\$44	\$244

DOOR THICKNESS: Code.004

Size	1 3/8"	1 3/4"	2"	2 1/4"	2 1/2"
Passage	Included	0511	0512	0513	0513
Privacy	Included	0522	0521	0523	0523

*For pre-bored doors, must order adaptor (6502.009) add \$10 and must use roses 2.265" in size.

*Also available in Mortise. See Price Book.

*2 3/4" Tubular Backset available.

*Doors thicker than 1 3/8", add \$12 spindle.

*Lifetime PVD finishes: Satin Nickel (056) and Polished Nickel (055) add \$35 to the total.

*xxx = Finish



5164 w/ 5006 Rose



5165 w/ 5032 Rose



5166 w/ 5006 Rose



5173 w/ 5006 Rose



5460V w/ 5046 Rose



L016 w/ 5046 Rose

HOW TO ORDER PASSAGE EXAMPLE: Pick Lever + Rose + Latch

Lever #	Passage Rose	Latch 2 3/8"	Finishes	Mechanism	Backset Tubular	Trim	Tubular Latch	Passage Rose	Total Tubular
5164.xxx.MR	5006.xxx	5513.xxx	150,260,112	Tubular	2 3/8"	\$145	\$55	\$36	\$236
5165.xxx.MR	5032.xxx	5513.xxx	150,260,112	Tubular	2 3/8"	\$145	\$55	\$44	\$244
5166.xxx.MR	5006.xxx	5513.xxx	150,260,112	Tubular	2 3/8"	\$145	\$55	\$36	\$236
5173.xxx.MR	5006.xxx	5513.xxx	150,260,112	Tubular	2 3/8"	\$145	\$55	\$36	\$236
5460V.xxx.MR	5046.xxx	5513.xxx	150,260,112	Tubular	2 3/8"	\$115	\$55	\$44	\$214
L016.xxx.MR	5046.xxx	5513.xxx	150,260,112	Tubular	2 3/8"	\$145	\$55	\$44	\$244

HOW TO ORDER PRIVACY EXAMPLE: Pick Lever + Rose + Latch

Lever #	Privacy Rose	Latch 2 3/8"	Finishes	Mechanism	Backset Tubular	Trim	Tubular Latch	Privacy Rose	Total Tubular
5164.xxx.MR	5139.xxx	5513.xxx.P	150,260,112	Tubular	2 3/8"	\$145	\$55	\$44	\$244
5165.xxx.MR	5139.xxx	5513.xxx.P	150,260,112	Tubular	2 3/8"	\$145	\$55	\$44	\$244
5166.xxx.MR	5139.xxx	5513.xxx.P	150,260,112	Tubular	2 3/8"	\$145	\$55	\$44	\$244
5173.xxx.MR	5139.xxx	5513.xxx.P	150,260,112	Tubular	2 3/8"	\$145	\$55	\$44	\$244
5460V.xxx.MR	5146.xxx	5513.xxx.P	150,260,112	Tubular	2 3/8"	\$115	\$55	\$44	\$214
L016.xxx.MR	5146.xxx	5513.xxx.P	150,260,112	Tubular	2 3/8"	\$145	\$55	\$44	\$244

DOOR THICKNESS: Code.004

Size	1 3/8"	1 3/4"	2"	2 1/4"	2 1/2"
Passage	Included	0511	0512	0513	0513
Privacy	Included	0522	0521	0523	0523

*For pre-bored doors, must order adaptor (6502.009) add \$10 and must use roses 2.265" in size.

*Also available in Mortise. See Price Book.

*2 3/4" Tubular Backset available.

*Doors thicker than 1 3/8", add \$12 spindle.

*Lifetime PVD finishes: Satin Nickel (056) and Polished Nickel (055) add \$35 to the total.

*xxx = Finish

**5460 LEVER
W/ 5046 ROSE IN
SATIN NICKEL FINISH**





L018 w/5032 Rose



L020 w/ 5032 Rose



L021 w/ 5056 Rose



L022 w/ 5056 Rose



L023 w/ R017 Rose

HOW TO ORDER PASSAGE EXAMPLE: Pick Lever + Rose + Latch

Lever #	Passage Rose	Latch 2 3/8"	Finishes	Mechanism	Backset Tubular	Trim	Tubular Latch	Passage Rose	Total Tubular
L018.xxx.MR	5032.xxx	5513.xxx	150,260,112	Tubular	2 3/8"	\$145	\$55	\$44	\$244
L020.xxx.MR	5032.xxx	5513.xxx	150,260,112	Tubular	2 3/8"	\$145	\$55	\$44	\$244
L021.xxx.MR	5056.xxx	5513.xxx	150,260,112	Tubular	2 3/8"	\$145	\$55	\$44	\$244
L022.xxx.MR	5056.xxx	5513.xxx	150,260,112	Tubular	2 3/8"	\$145	\$55	\$44	\$244
L023.xxx.MR	R017.xxx	5513.xxx	150,260,112	Tubular	2 3/8"	\$160	\$55	\$44	\$259

HOW TO ORDER PRIVACY EXAMPLE: Pick Lever + Rose + Latch

Lever #	Privacy Rose	Latch 2 3/8"	Finishes	Mechanism	Backset Tubular	Trim	Tubular Latch	Privacy Rose	Total Tubular
L018.xxx.MR	5139.xxx	5513.xxx.P	150,260,112	Tubular	2 3/8"	\$145	\$55	\$44	\$244
L020.xxx.MR	5139.xxx	5513.xxx.P	150,260,112	Tubular	2 3/8"	\$145	\$55	\$44	\$244
L021.xxx.MR	5160.xxx	5513.xxx.P	150,260,112	Tubular	2 3/8"	\$145	\$55	\$44	\$244
L022.xxx.MR	5160.xxx	5513.xxx.P	150,260,112	Tubular	2 3/8"	\$145	\$55	\$44	\$244
L023.xxx.MR	R017.xxx.PV	5513.xxx.P	150,260,112	Tubular	2 3/8"	\$160	\$55	\$44	\$259

DOOR THICKNESS: Code.004

Size	1 3/8"	1 3/4"	2"	2 1/4"	2 1/2"
Passage	Included	0511	0512	0513	0513
Privacy	Included	0522	0521	0523	0523

*For pre-bored doors, must order adaptor (6502.009) add \$10 and must use roses 2.265" in size.

*Also available in Mortise. See Price Book.

*2 3/4" Tubular Backset available.

*Doors thicker than 1 3/8", add \$12 spindle.

*Lifetime PVD finishes: Satin Nickel (056) and Polished Nickel (055) add \$35 to the total.

*xxx = Finish



5055 w/ 5032 Rose



5073 w/ 5006 Rose



5068 w/ 5070 Rose



5023 w/ 5059 Rose



5045 w/ 5046 Rose

HOW TO ORDER PASSAGE EXAMPLE: Pick Knob + Rose + Latch

Lever #	Passage Rose	Latch 2 3/8"	Finishes	Mechanism	Backset Tubular	Trim	Tubular Latch	Passage Rose	Total Tubular
5055.xxx.MR	5032.xxx	5510.xxx	150,260,112	Tubular	2 3/8"	\$145	\$55	\$44	\$244
5073.xxx.MR	5006.xxx	5510.xxx	150,260,112	Tubular	2 3/8"	\$145	\$55	\$36	\$236
5068.xxx.MR	5070.xxx	5510.xxx	150,260,112	Tubular	2 3/8"	\$160	\$55	\$50	\$265
5023.xxx.MR	5059.xxx	5510.xxx	150,260,112	Tubular	2 3/8"	\$115	\$55	\$50	\$220
5045.xxx.MR	5046.xxx	5510.xxx	150,260,112	Tubular	2 3/8"	\$160	\$55	\$44	\$259

HOW TO ORDER PRIVACY EXAMPLE: Pick Knob + Rose + Latch

Lever #	Privacy Rose	Latch 2 3/8"	Finishes	Mechanism	Backset Tubular	Trim	Tubular Latch	Privacy Rose	Total Tubular
5055.xxx.MR	5139.xxx	5510.xxx.P	150,260,112	Tubular	2 3/8"	\$145	\$55	\$44	\$244
5073.xxx.MR	5139.xxx	5510.xxx.P	150,260,112	Tubular	2 3/8"	\$145	\$55	\$44	\$244
5068.xxx.MR	5123.xxx	5510.xxx.P	150,260,112	Tubular	2 3/8"	\$160	\$55	\$50	\$265
5023.xxx.MR	5159.xxx	5510.xxx.P	150,260,112	Tubular	2 3/8"	\$115	\$55	\$50	\$220
5045.xxx.MR	5146.xxx	5510.xxx.P	150,260,112	Tubular	2 3/8"	\$160	\$55	\$44	\$259

DOOR THICKNESS: Code.004

Size	1 3/8"	1 3/4"	2"	2 1/4"	2 1/2"
Passage	Included	0511	0512	0513	0513
Privacy	Included	0522	0521	0523	0523

*For pre-bored doors, must order adaptor (6502.009) add \$10 and must use roses 2.265" in size.

*Also available in Mortise. See Price Book.

*2 3/4" Tubular Backset available.

*Doors thicker than 1 3/8", add \$12 spindle.

*Lifetime PVD finishes: Satin Nickel (056) and Polished Nickel (055) add \$35 to the total.

*xxx = Finish



Soho Lever - 5485V



5023 Knob w/ Contemporary Rose



5162 Lever w/ R017 Rose



Contemporary Knob w/ Contemporary Rose

HOW TO ORDER EXAMPLE: Pick Trim + Function (.PASS, .PRIV or .ENTR)

Description	Trim #	Finishes	Function	Mechanism	Backset	Door Thickness	Price	Total
Soho Lever	5485V.xxx	150,260,112	Passage or Privacy	Tubular	2 3/8"	1 3/8"	\$160	\$160
5162 Lever w/ R017 Rose	5162.xxx	150,260,112	Passage or Privacy	Tubular	2 3/8"	1 3/8"	\$180	\$180
Contemporary Knob w/ Contemporary Rose	5218.xxx	150,260,112	Entry	Tubular	2 3/8"	1 3/8"	\$220	\$220
5023 Knob w/ Contemporary Rose	5278.xxx	150,260,112	Entry	Tubular	2 3/8"	1 3/8"	\$220	\$220

*xxx = Finish



5190E w/ 5056E Rose



5162E w/ 5032E Rose



5166E w/ 5056E Rose

HOW TO ORDER EXAMPLE: 5190E.xxx.MR + 5056E.xxx.ps + Cylinder.xxx + Spindle + 6735E.xxx + 5056E.xxx.KC

Description	Trim #	Finishes	Function	Mechanism	Backset	Door Thickness	Price	Mortise	Cylinder	Rose	Spindle	Turn Knobs	Cylinder Collar	Total Mortise Privacy	Total Mortise Passage
5190E w/ 5056E Rose	5190E	150,260,112	Passage or Entry	Mortise	58mm-85mm	45mm-60mm	\$145	N/A	\$50	\$50	\$12	\$35	\$50	\$342	\$257
5162E w/ 5032E Rose	5162E	150,260,112	Passage or Entry	Mortise	58mm-85mm	45mm-60mm	\$145	N/A	\$50	\$50	\$12	\$35	\$50	\$342	\$257
5166E w/ 5056E Rose	5166E	150,260,112	Passage or Entry	Mortise	58mm-85mm	45mm-60mm	\$145	N/A	\$50	\$50	\$12	\$35	\$50	\$342	\$257

SINGLE CYLINDERS - C KEYWAY

Door Thickness		35mm	40mm	45mm	50mm
Rose Trim	Thickness	Cylinder Length	Cylinder Length	Cylinder Length	Cylinder Length
5032E / 5056E	10.0mm	60mm (8322E)	70mm (8323E)	70mm (8323E)	80mm (8324E)
5027E	12.1mm	70mm (8323E)	70mm (8323E)	80mm (8324E)	80mm (8324E)
5017E	12.7mm	70mm (8323E)	70mm (8323E)	80mm (8324E)	80mm (8324E)
5016E	13.8mm	70mm (8323E)	70mm (8323E)	80mm (8324E)	80mm (8324E)

SINGLE CYLINDERS - C KEYWAY

Description	Trim #	112, 264
60mm European Cylinder	8322E.xxx	\$50
70mm European Cylinder	8323E.xxx	\$50
80mm European Cylinder	8324E.xxx	\$50



5032E Cylinder Collar



5056E Cylinder Collar



6735E Turn Knob

HANDING OPTIONS

SUFFIX

Right hand	R
Left Hand	L

*Cylinder collar same code as rose, but .KC not .PS.

*Turn knob 6735E.xxx.

*For passage ordering, remove cylinder and cylinder collar.

*xxx = Finish



**CONTEMPORARY
DEADBOLT IN
SATIN NICKEL FINISH**



Soho Sectional - 85386



Contemporary - 8244



Contemporary - 8041



Contemporary - 8220



Soho Deadbolt - 8285

HOW TO ORDER EXAMPLE: Pick Trim + Sectional

Description	Trim #	Finishes	Function	Mechanism	Adjustable Backset	Door Thickness	Price
Soho Deadbolt	8285.xxx.AC1	150,260	Deadbolt	Tubular	2 3/8" & 2 3/4"	1.75"-2.00"	\$465
Soho Sectional	85386.xxx.ACRH (.ACLH)	150,260	Handleset	Tubular	2 3/8" & 2 3/4"	1.75"-2.00"	\$335

HOW TO ORDER EXAMPLE: Pick Trim (SC or DC)

Description	SC Trim #	DC Trim #	Finishes	Function	Adjustable Backset	Door Prep	SC	DC
Contemporary	8244.xxx	N/A	150,260,112	Deadbolt	2 3/8" & 2 3/4"	2 1/8"	\$130	N/A
Contemporary	8041.xxx	8042.xxx	150,260,112	Deadbolt	2 3/8" & 2 3/4"	1 5/8"	\$95	\$120
Contemporary	8220.xxx	8221.xxx	150,260,112	Deadbolt	2 3/8" & 2 3/4"	2 1/8"	\$95	\$120
Soho Deadbolt	8285.xxx	8286.xxx	150,260,112	Deadbolt	2 3/8" & 2 3/4"	2 1/8"	\$110	\$135

*SC - Single Cylinder / DC - Double Cylinder

*xxx = Finish



Santa Monica LG



Santa Monica LG



Santa Monica LG



Santa Monica SM



Santa Monica SM

HOW TO ORDER EXAMPLE: PD005.xxx.PRIV

Description	Trim #	Finishes	Function	Mechanism	Backset	Price
Santa Monica LG	PD005.xxx.PRIV	150,260,112	Privacy	Mortise	2.5"	\$535
Santa Monica LG	PD005.xxx.PASS	150,260,112	Passage	Mortise	2.5"	\$470
Santa Monica LG	PD005.xxx.PS	150,260,112	Inactive Passage	N/A	N/A	\$210
Santa Monica SM	PD006.xxx.PRIV	150,260,112	Privacy	Mortise	2.5"	\$495
Santa Monica SM	PD006.xxx.PASS	150,260,112	Passage	Mortise	2.5"	\$430
Santa Monica SM	PD006.xxx.PS	150,260,112	Inactive Passage	N/A	N/A	\$170

*Mortise included in total price.
 *xxx = Finish

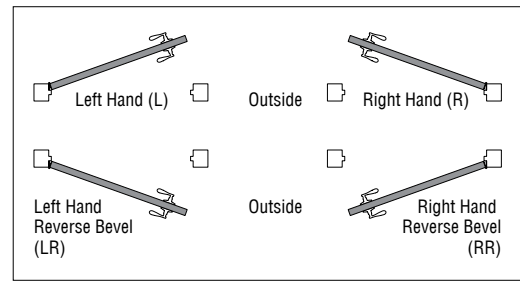
**SANTA MONICA SM
POCKET DOOR LOCK IN
SATIN NICKEL FINISH**



HOW TO ORDER | ESTATE™ LINE - ENTRANCE SETS

- STEP 1** DOOR THICKNESS
- STEP 2** DOOR BACKSET
- STEP 3** DOOR HANDING

DOOR HANDING



BEFORE ORDERING, KNOW THE ABOVE INFORMATION.

- STEP 1** PICK YOUR HANDLESET TRIM, W/ KNOB OR LEVER: (LEVERS MUST BE USED W/ LEVER STRENGTH MORTISE)
- STEP 2** PICK YOUR MORTISE BOX

	Suffix*	Minus Strike*
Right hand	.R	.RDT
Left hand	.L	.LDT
Right hand Reverse bevel	.RR	.RRDT
Left hand Reverse bevel	.LR	.LRDT
Right hand Lever Strength	.RLS	.RLSDT
Left hand Lever Strength	.LLS	.LLSDT
Right hand Reverse bevel Lever Strength	.RRLS	.RRLSDT
Left hand Reverse bevel Lever Strength	.LRLS	.LRLSDT
Right hand Reverse bevel Lever Strength with 1" Front	.RRB1	—
Left hand Reverse bevel Lever Strength with 1" Front	.LRB1	—

Backset	Door Thickness	Function	Mortise Box	HANDLESET X KNOB		HANDLESET X LEVER		KNOB X KNOB	LEVER X LEVER
				Handing	PartNumber	Handing	Part Number	Part Number	Part Number
2.75"	1.75" and up	Residential Entrance	6020	R	6020.xxx.R	RLS	6020.xxx.RLS	6001.xxx.R	6001.xxx.RLS
				L	6020.xxx.L	LLS	6020.xxx.LLS	6001.xxx.L	6001.xxx.LLS
				RR	6020.xxx.RR	RRLS	6020.xxx.RRLS	6001.xxx.RR	6001.xxx.RRLS
				LR	6020.xxx.LR	LRLS	6020.xxx.LRLS	6001.xxx.LR	6001.xxx.LRLS
2.75"	1.75" and up	Residential Entrance Emergency Egress	6021	R	6021.xxx.R	RLS	6021.xxx.RLS	6075.xxx.R	6075.xxx.RLS
				L	6021.xxx.L	LLS	6021.xxx.LLS	6075.xxx.L	6075.xxx.LLS
				RR	6021.xxx.RR	RRLS	6021.xxx.RRLS	6075.xxx.RR	6075.xxx.RRLS
				LR	6021.xxx.LR	LRLS	6021.xxx.LRLS	6075.xxx.LR	6075.xxx.LRLS
2.75"	1.75" and up	Entrance Back-to-Back	6025	-	-	-	-	-	
2.5"	1.375/1.75 and up	Residential Entrance	6320	R	6320.xxx.R	RLS	6320.xxx.RLS	6301.xxx.R	6301.xxx.RLS
				L	6320.xxx.L	LLS	6320.xxx.LLS	6301.xxx.L	6301.xxx.LLS
				RR	6320.xxx.RR	RRLS	6320.xxx.RRLS	6301.xxx.RR	6301.xxx.RRLS
				LR	6320.xxx.LR	LRLS	6320.xxx.LRLS	6301.xxx.LR	6301.xxx.LRLS
2.5"	1.375/1.75 and up	Residential Entrance Emergency Egress	6321	R	6321.xxx.R	RLS	6321.xxx.RLS	6375.xxx.R	6375.xxx.RLS
				L	6321.xxx.L	LLS	6321.xxx.LLS	6375.xxx.L	6375.xxx.LLS
				RR	6321.xxx.RR	RRLS	6321.xxx.RRLS	6375.xxx.RR	6375.xxx.RRLS
				LR	6321.xxx.LR	LRLS	6321.xxx.LRLS	6375.xxx.LR	6375.xxx.LRLS
2.5"	1.375/1.75 and up	Entrance Back-to-Back	6325	-	-	-	-	-	

- STEP 3** PICK YOUR CYLINDER (SEE PAGE 21)
- IF YOUR DOOR IS NOT 1.75" THICK, ALSO REQUIRED:**
- STEP 4** SPINDLE (SEE PAGE 21)
- STEP 5** THICK DOOR KIT (SEE PAGE 21)
- STEP 6** EXTENDED LIP STRIKE (SEE PAGE 21)

THICKER DOOR CYLINDERS

Door thickness Cylinder: code.xxx(Finish) Example: 8321.150 | Attention: Cylinders *8326 - 8330 add \$60

Handlesets	Model #	1.75"	2"	2.5"	3" (add+\$60)
Soho 3/4 escucheon	85387	N/A	N/A	N/A	N/A
San Diego	6540	8321	8322	8324	8326
New York	6562	8323	8323	8325	8327
Chicago	6563	8321	8322	8324	8326
Atlanta	6570	8323	8324	8326*	8328
Santa monica	6915	8323	8324	8326*	8328
Lakeshore	6966	8323	8324	8326*	8328
Minneapolis	6976	8323	8324	8326*	8328
Dallas	6931	8321	8322	8324	8326
Houston	6973	8324	8325	8327*	8329

THICKER DOOR SPINDLES ADD \$12

code.004

Handlesets	Model #	1.75"	2"	2.25"	2.5"
Soho 3/4 escucheon	85387	N/A	N/A	N/A	N/A
San Diego	6540	0530	0530	0530	0530
New York	6562	0530	0530	0530	0531
Chicago	6563	0530	0530	0530	0530
Atlanta	6570	0530	0530	0531	0531
Santa monica	6915	0521	0523	0524	0524
Lakeshore	6966	0530	0530	0531	0531
Minneapolis	6976	0530	0530	0531	0531
Dallas	6931	0530	0530	0530	0530
Houston	6973	0521	0523	0524	0524

MORTISE, WOOD DOOR KIT

Kit	For Entrance Trim #	Price
6501.000.A	6515, 6520, 6526, 6540, 6541, 6543, 6549, 6556, 6557, 6560, 6564, 6565, 6567, 6568, 6570, 6571, 6572, 6573, 6931, 6946, 6948, 6950, 6963, 6976 active & dummy	\$6
6501.000.B	6548, 6562, 6563, 6915 active & dummy	20
6501.000.C	6944, 6952, 6999 active & dummy, M502, M504, M512, M514, M516, M522	30
6501.000.D	6542, 6544, 6545 ACTIVE ONLY	18
6501.000.E	6542, 6544, 6545 DUMMY ONLY	22
6501.000.F	6966	26

REQUIRED for all doors over 1.75" and up to 2.25" thick Thick Door Kits

ASA STRIKES - EXTENDED LIP

Item #	Function	150, 112, 260	150, 112, 260
6037.xxx.XXXX	2.75" backset latch, deadbolt, aux latch		
6038.xxx.XXXX	2.75" backset latch only		
6039.xxx.XXXX	2.75" backset latch, deadbolt	\$65	\$70
6338.xxx.XXXX	1.5," 2," 2.5" backset latch only		
6339.xxx.XXXX	1.5," 2," 2.5" backset latch, deadbolt		

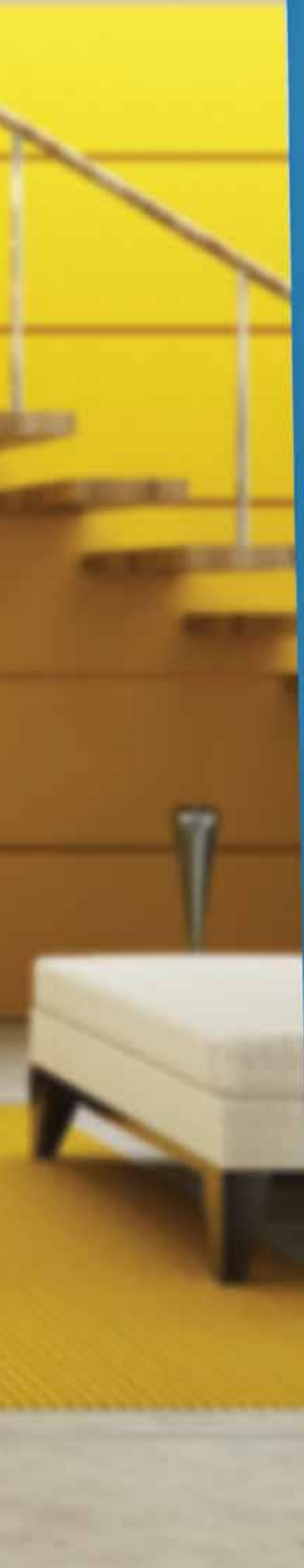
.XXXX indicates Extended Lip to Center size = .R158, .L158, .R178, .L178, .R214, .L214, .R300, .L300

6037, 6038, 6039, 6338, 6339.xxx – EXTENDED LIP STRIKES (HANDED)

- > Use with locks installed on special door/frame conditions
- > Supplied with a curved lip only
- > ALWAYS SPECIFY HAND OF DOOR AND REQUIRED LENGTH
- > Note: Reverse bevel doors use opposite hand for strike selection (ie. Right hand reverse bevel use left hand strike.)
- > Lip to Center lengths:
 - .R158 or .L158 – 1.625" (41mm)
 - .R178 or .L178 – 1.875" (48mm)
 - .R214 or .L214 – 2.25" (57mm)
 - .R300 or .L300 – 3" (76mm)

Lip to Center length determined by the following formula:

Door thickness ÷ 2 + .375" (10mm) = Lip to Center length
Round to closest size



**SEATTLE HANDLESET
IN POLISHED
CHROME FINISH**



Seattle (SEA)



Miami (MIA)



Napa (NAP)



Delmar (DEL)

HANDLESETS											
Description	Trim #	Inside	Finishes	Function	Roses	Inside	Adjustable Backset	Door Thickness	SC	DC	Total
Seattle	SEA	SQU or TUB	150,260,112	Handleset	CSR,CRR	Lever	2 3/8" & 2 3/4"	1.75"-2.00"	\$305	\$305	\$305
Miami	MIA	SQU or TUB	150,260,112	Handleset	CSR,CRR	Lever	2 3/8" & 2 3/4"	1.75"-2.00"	\$305	\$305	\$305
Napa	NAP	FED or ROU	150,260,112	Handleset	TRR,TSR	Lever or Knob	2 3/8" & 2 3/4"	1.75"-2.00"	\$270	\$270	\$270
Delmar	DEL	FED or ROU	150,260,112	Handleset	TRR,TSR	Lever or Knob	2 3/8" & 2 3/4"	1.75"-2.00"	\$305	\$305	\$305

HOW TO ORDER EXAMPLE: Function.Handleset x Knob/Lever.Handing.Rose.Finish (Out x In)								
Function	Handleset	X	Knob/Lever	Door Handing	Rose	Finish Outside	Finish Inside	Final Sku To Order
Single Cylinder (SC)	SEA	x	SQU	R	CSR	260	260	SC.SEAxSQU.R.CSR.260
Double Cylinder (DC)	DEL	x	FED	L	TRR	112	150	DC.DELxFED.L.TRR.112X150

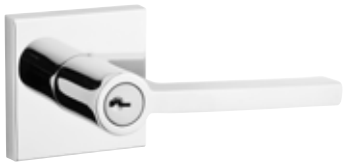
*See page 25, for inside roses and levers.

*See page 24, for inside product. Square (SQU), Tube (TUB), Round (ROU), Federal (FED).

*xxx = Finish



Round (ROU)



Square (SQU)



Tube (TUB)



Federal (FED)

HOW TO ORDER EXAMPLE: Function.Model.Handling.Rose.Finish (EN.SQU.R.CSR.150)

Description	Trim #	Finishes	Handling	Rose	Style	Adjustable Backset	Door Thickness	Total
Square	SQU	150,260,112	Right or Left	CSR,CRR	Lever	2 3/8" & 2 3/4"	1 3/8"-2"	\$170
Tube	TUB	150,260,112	Right or Left	CSR,CRR	Lever	2 3/8" & 2 3/4"	1 3/8"-2"	\$170
Round	ROU	150,260,112	Right or Left	TRR,TSR	Knob	2 3/8" & 2 3/4"	1 3/8"-2"	\$170
Federal	FED	150,260,112	Right or Left	TRR,TSR	Lever	2 3/8" & 2 3/4"	1 3/8"-2"	\$170

Traditional Rose Options		Contemporary Rose Options	
TRR	TSR	CRR	CSR

*Entry (EN)
*xxx = Finish



Round (ROU)



Square (SQU)



Tube (TUB)



Federal (FED)

HOW TO ORDER EXAMPLE: Function . Model . Handling . Rose . Finish (PV.ROU.R.TRR.112)

Description	Trim #	Finishes	Handling	Rose	Style	Adjustable Backset	Door Thickness	Total
Square	SQU	150,260,112	Right or Left	CSR,CRR	Lever	2 3/8" & 2 3/4"	1 3/8"-2"	\$105
Tube	TUB	150,260,112	Right or Left	CSR,CRR	Lever	2 3/8" & 2 3/4"	1 3/8"-2"	\$105
Round	ROU	150,260,112	Right or Left	TRR,TSR	Knob	2 3/8" & 2 3/4"	1 3/8"-2"	\$105
Federal	FED	150,260,112	Right or Left	TRR,TSR	Lever	2 3/8" & 2 3/4"	1 3/8"-2"	\$105

Traditional Rose Options		Contemporary Rose Options	
TRR	TSR	CRR	CSR

*Privacy (PV) or Passage (PS)

*xxx = Finish



Traditional Square



Contemporary Round



Contemporary Square

HOW TO ORDER DEADBOLTS: SC.CSD.150

Description	Trim #	Finishes	Function	Adjustable Backset	Door Thickness	SC	DC
Traditional Square	TSD	150,260,112	Deadbolts	2 3/8" & 2 3/4"	1 3/8"-2"	\$60	\$65
Contemporary Round	CRD	150,260,112	Deadbolts	2 3/8" & 2 3/4"	1 3/8"-2"	\$60	\$65
Contemporary Square	CSD	150,260,112	Deadbolts	2 3/8" & 2 3/4"	1 3/8"-2"	\$60	\$65

**CONTEMPORARY
ROUND DEADBOLT
IN POLISHED
CHROME FINISH**



HOW TO ORDER™ | RESERVE LINE

HANDLESETS

1. Required – Start your order configuration with the following required information:

DC . ELIXDEC . L . TAR . 112x150

Example: "I would like two Double Cylinder SmartKey-Elizabeth handlesets keyed alike in venetian bronze finish with the traditional arch rose and decorative lever in satin nickel on the interior. The door is left hand and my door is currently prepared for round corner latches and strikes."

Function		Style Exterior X Interior		Handing	Rose	Finish Exterior x Interior					
SC	Single Cylinder	ADI	Adirondack	ELL	Ellipse	L	Left	TRR	Trad. Round Rose	<i>Traditional Styles</i>	
DC	Double Cylinder	CHE	Chesapeake	ROU	Round	R	Right	TAR	Trad. Arch Rose	003	Polished Brass
FD	Full Dummy	COL	Columbus	RUS	Rustic			TSR	Trad. Square Rose	049	Matte Brass & Black
		COT	Cottonwood	TRA	Traditional			CRR	Cont. Round Rose	112	Venetian Bronze
		DEL	Del Mar	ARC	Arch			CSR	Cont. Square Rose	150	Satin Nickel
		ELI	Elizabeth	CUR	Curve			RAR	Rustic Arch Rose	152	Matte Antique Nickel
		ELK	Elkhorn	DEC	Decorative			RSR	Rustic Square Rose	260	Polished Chrome
		FAI	Fairbanks	FED	Federal					<i>Contemporary Styles</i>	
		KOD	Kodiak	SQU	Square					112	Venetian Bronze
		LON	Longview	TAP	Taper					150	Satin Nickel
		MIA	Miami	TUB	Tube					260	Polished Chrome
		NAP	Napa							<i>Rustic Styles</i>	
		NEW	New Hampshire							481	Dark Bronze
		SEA	Seattle							492	White Bronze
		WES	Westcliff							Levers Only	

DEADBOLTS

1. Required – Start your order configuration with the following required information:

SC . TRDXTAD . 150x003

Example: "I would like a single cylinder traditional round deadbolt in satin nickel finish, but I prefer the traditional arch tumpline instead. The tumpline should be brass color."

Function		Style Exterior X Interior		Finish Exterior x Interior	
SC	Single Cylinder	TRD	Traditional Round Deadbolt	<i>Traditional Styles</i>	
DC	Double Cylinder	TAD	Traditional Arch Deadbolt	003	Polished Brass
PT	Patio	TSD	Traditional Square Deadbolt	049	Matte Brass & Black
		CRD	Contemporary Round Deadbolt	112	Venetian Bronze
		CSD	Contemporary Square Deadbolt	150	Satin Nickel
		RAD	Rustic Arch Deadbolt	152	Matte Antique Nickel
		RSD	Rustic Square Deadbolt	260	Polished Chrome
				<i>Contemporary Styles</i>	
				112	Venetian Bronze
				150	Satin Nickel
				260	Polished Chrome
				<i>Rustic Styles</i>	
				481	Dark Bronze
				492	White Bronze

KNOBS

1. Required – Start your order configuration with the following required information:

PV . TRA . N/A . TRRXSTAR . 150

Example: "I am looking for the traditional knob with the traditional round rose outside and traditional arch rose inside. I need two privacy knobs. They should all be in satin nickel finish."

Function		Style Exterior X Interior		Handing	Rose Exterior X Interior	Finish Exterior x Interior					
EN	Entry	ELL	Ellipse	ARC	Arch	L	Left	TRR	Trad. Round Rose	<i>Traditional Styles</i>	
PS	Passage	ROU	Round	CUR	Curve	R	Right	TAR	Trad. Arch Rose	003	Polished Brass
PV	Privacy	RUS	Rustic	DEC	Decorative			TSR	Trad. Square Rose	049	Matte Brass & Black
FD	Full Dummy	TRA	Traditional	ELL	Ellipse			CRR	Cont. Round Rose	112	Venetian Bronze
HD	Half Dummy			FED	Federal			CSR	Cont. Square Rose	150	Satin Nickel
				ROU	Round			RAR	Rustic Arch Rose	152	Matte Antique Nickel
				RUS	Rustic			RSR	Rustic Square Rose	260	Polished Chrome
				SQU	Square					<i>Contemporary Styles</i>	
				TAP	Taper					112	Venetian Bronze
				TRA	Traditional					150	Satin Nickel
				TUB	Tube					260	Polished Chrome
										<i>Rustic Styles</i>	
										481	Dark Bronze
										492	White Bronze

LEVERS

1. Required – Start your order configuration with the following required information:

EN . TUB . R . CRR . 150x260

Example: "I would like an entry tube lever with contemporary round rose with 150 exterior and 260 interior. The door is right hand and currently prepared for round corner latches and strikes."

Function		Style Exterior X Interior		Handing	Rose Exterior X Interior	Finish Exterior x Interior					
EN	Entry	ARC	Arch	ARC	Arch	L	Left	TRR	Trad. Round Rose	<i>Traditional Styles</i>	
PS	Passage	CUR	Curve	CUR	Curve	R	Right	TAR	Trad. Arch Rose	003	Polished Brass
PV	Privacy	DEC	Decorative	DEC	Decorative			TSR	Trad. Square Rose	049	Matte Brass & Black
FD	Full Dummy	FED	Federal	ELL	Ellipse			CRR	Cont. Round Rose	112	Venetian Bronze
HD	Half Dummy	SQU	Square	FED	Federal			CSR	Cont. Square Rose	150	Satin Nickel
		TAP	Taper	ROU	Round			RAR	Rustic Arch Rose	152	Matte Antique Nickel
		TUB	Tube	RUS	Rustic			RSR	Rustic Square Rose	260	Polished Chrome
				SQU	Square					<i>Contemporary Styles</i>	
				TAP	Taper					112	Venetian Bronze
				TRA	Traditional					150	Satin Nickel
				TUB	Tube					260	Polished Chrome
										<i>Rustic Styles</i>	
										481	Dark Bronze
										492	White Bronze

HANDLESETS

2. Options – Add additional customization with the following optional features:

	STD	RL	RS	SMT	K2
Door Thickness	Latch		Strike	Cylinder	Keying
STD	1.75" to 2" Doors*	SL Square Corner Latch*	SS Square Corner Strike*	CKY C-Keyway Pin & Tumbler*	KD Keyed Different*
THK	2" to 2.5" Doors	RL Round Corner Latch	RS Round Corner Strike	KA Keyed Alike (A=#)	KA Keyed Alike (A=#)
THN	1.375" to 1.75" Doors**	DL Drive In Latch	DS Dual Strike Kit	SMT SmartKey	CK Construction Key
		6L 6 Way Latch			KC Key Code
		SLUL Square Corner UL Latch			MK Master Key
		RLUL Round Corner UL Latch			WITH Separate Lines Keyed Together
		DLUL Drive In Corner UL Latch			

NOTES

- Handing only required when ordering with lever interior style and is always measured from the exterior of the door.
- Rose style will determine interior deadbolt turnpiece style.
- Dummy handlesets use a Single Cylinder interior style (with non-functioning turnpiece)
- Indicate exterior x interior finish when ordering split finishes - if single finish, specify only once.

OPTIONS NOTES

***Orders will ship with default options in bold unless otherwise specified.**

****Available with Napa and Westcliff styles, SC and DC.**

DEADBOLTS

2. Options – Add additional customization with the following optional features:

	STD	SL	SS	CKY	N/A
Door Thickness	Latch		Strike	Cylinder	Keying
STD	1.75" to 2" Doors*	SL Square Corner Latch*	SS Square Corner Strike*	CKY C-Keyway Pin & Tumbler*	KD Keyed Different*
THK	2" to 2.5" Doors	RL Round Corner Latch	RS Round Corner Strike	KA Keyed Alike (A=#)	KA Keyed Alike (A=#)
THN	1.375" to 1.75" Doors**	DL Drive In Latch	DS Dual Strike Kit	SMT SmartKey	CK Construction Key
		6L 6 Way Latch	FS Full Lip Deadbolt Strike		KC Key Code
		SLUL Square Corner UL Latch			MK Master Key
		RLUL Round Corner UL Latch			WITH Separate Lines Keyed Together
		DLUL Drive In Corner UL Latch			

NOTES

- Indicate exterior x interior style or finish when ordering split styles or finishes - if single style or finish, specify only once.

OPTIONS NOTES

***Orders will ship with default options in bold unless otherwise specified.**

****Available with Traditional and Contemporary styles, SC and DC.**

KNOBS

2. Options – Add additional customization with the following optional features:

	STD	SL	SS	N/A
Door Thickness	Latch		Strike	Keying
STD	1.375" to 2" Doors*	SL Square Corner Latch*	SS Square Corner Strike*	KD Keyed Different*
THK	2" to 2.5" Doors	RL Round Corner Latch	RS Round Corner Strike	KA Keyed Alike (A=#)
		DL Drive In Latch	DS Dual Strike Kit	CK Construction Key
		6L 6 Way Latch		KC Key Code
		SLUL Square Corner UL Latch		MK Master Key
		RLUL Round Corner UL Latch		WITH Separate Lines Keyed Together
		DLUL Drive In Corner UL Latch		

NOTES

- Handing only required when ordering with lever interior style and is always measured from the exterior of the door.
- Indicate exterior x interior style, rose, or finish when ordering split styles, roses, or finishes - if single style, rose, or finish, specify only once.

OPTIONS NOTES

***Orders will ship with default options in bold unless otherwise specified.**

Available with C-Keyway cylinder only.

LEVERS

2. Options – Add additional customization with the following optional features:

	STD	RL	RS	KD
Door Thickness	Latch		Strike	Keying
STD	1.375" to 2" Doors*	SL Square Corner Latch*	SS Square Corner Strike*	KD Keyed Different*
THK	2" to 2.5" Doors	RL Round Corner Latch	RS Round Corner Strike	KA Keyed Alike (A=#)
		DL Drive In Latch	DS Dual Strike Kit	CK Construction Key
		6L 6 Way Latch		KC Key Code
		SLUL Square Corner UL Latch		MK Master Key
		RLUL Round Corner UL Latch		WITH Separate Lines Keyed Together
		DLUL Drive In Corner UL Latch		

NOTES

- Handing required when ordering half dummy function, and with orders that will be split finish, split lever style, or split with a knob. Handing always measured from the exterior of the door.
- Indicate Exterior x Interior style, rose, or finish when ordering split styles, roses, or finishes - if single style, rose, or finish, specify only once.

OPTIONS NOTES

***Orders will ship with default options in bold unless otherwise specified.**

Available with C-Keyway cylinder only.



BALDWIN

**PRESTIGE SERIES™
SPYGLASS™ LEVER ENTRANCE
IN SATIN NICKEL FINISH**



Spyglass - 91800-030



Spyglass - 91830-001



Spyglass - 93540-015



Spyglass - 93530-008



Spyglass - 93520-008

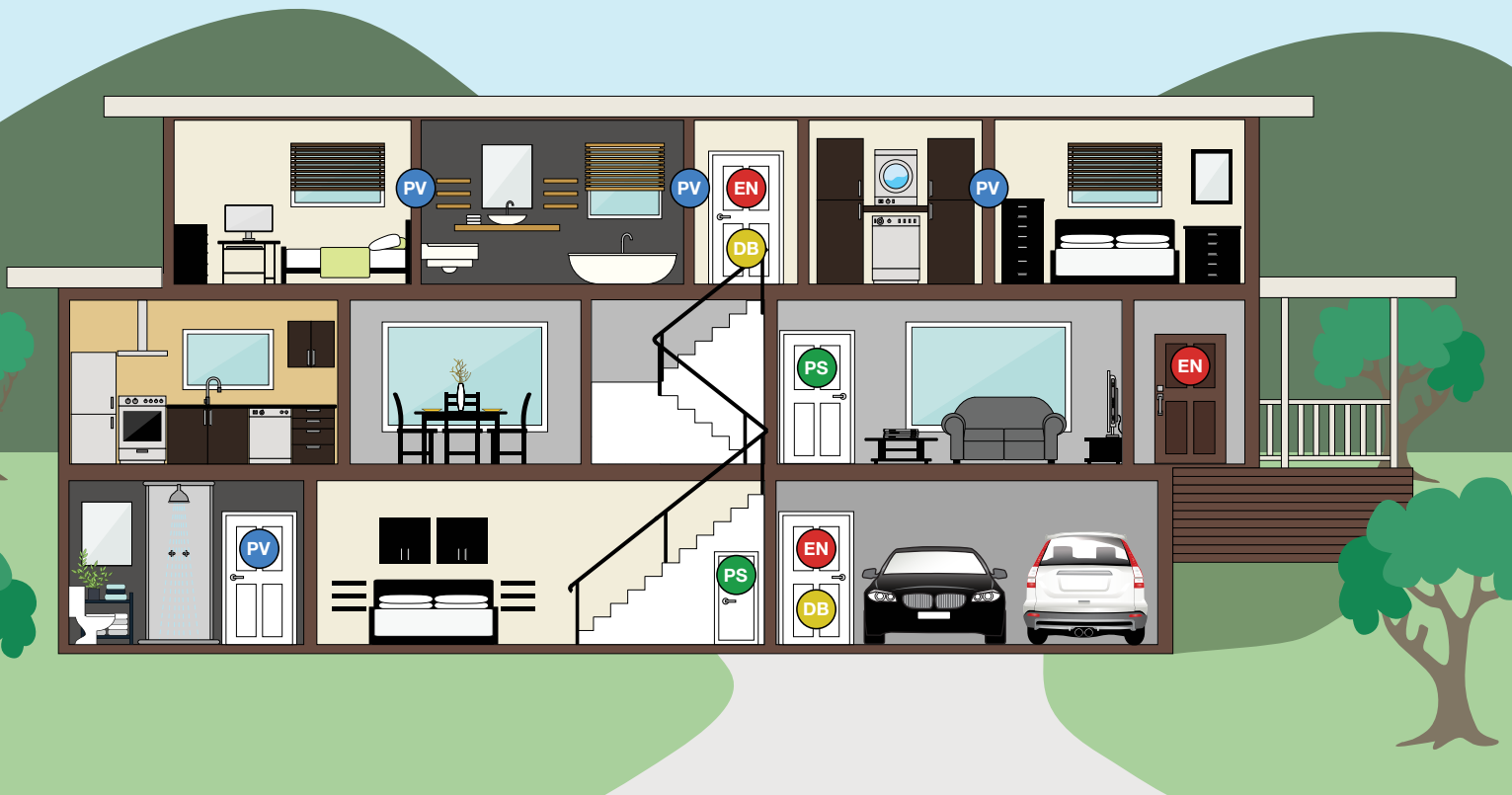


Spyglass - 93800-013

HOW TO ORDER EXAMPLE: Pick Model #

Description	Model #	Finishes	Function	Mechanism	Key	Backset	Door Thickness	SC	DC	Total
Spyglass	91800-030	Satin Nickel	Handleset	Tubular	SmartKey	2 3/8" & 2 3/4"	1 3/8"-2"	\$247	N/A	\$247
Spyglass	91830-001	Satin Nickel	Lever Entrance	Tubular	SmartKey	2 3/8" & 2 3/4"	1 3/8"-2"	\$222	N/A	\$222
Spyglass	93540-015	Satin Nickel	Entry	Tubular	SmartKey	2 3/8" & 2 3/4"	1 3/8"-2"	\$80	N/A	\$80
Spyglass	93530-008	Satin Nickel	Privacy	Tubular	N/A	2 3/8" & 2 3/4"	1 3/8"-2"	\$63	N/A	\$63
Spyglass	93520-008	Satin Nickel	Passage	Tubular	N/A	2 3/8" & 2 3/4"	1 3/8"-2"	\$59	N/A	\$59
Spyglass	93800-013	Satin Nickel	Deadbolt	Tubular	SmartKey	2 3/8" & 2 3/4"	1 3/8"-2"	\$58	N/A	\$58

HOUSE SPECIFICATION EXAMPLE



Entry - Entrance, with turn key.



Passage - Active, no lock.



Privacy - Lock, no key.



Deadbolt - Lock, with key.

Exterior Front Door

STEP 1	WOOD DOOR SWING INSIDE THE HOUSE - RIGHT HAND
STEP 2	DOOR IS 2" (50MM) THICK
STEP 3	BACKSET IS 2.75"
STEP 4	FINISH = SATIN NICKEL (150)

Interior Doors

STEP 1	RIGHT AND LEFT HAND DOORS TUBULAR AND PRE-BORED
STEP 2	1 3/8" (40MM) THICK
STEP 3	2 3/8" BACKSET
STEP 4	FINISH = SATIN NICKEL (150)

ESTATE™

RESERVE™

Exterior Front Doors – Mortise

	Description	Part #	Unit Price	Total
Handle Set	Minneapolis	6976.150.RENT	\$495	\$495
Mortise Lock	2.75" Backset	6020.150.RLS	\$330	\$330
Cylinder	Single cylinder	8324.150	\$50	\$50
Spindle	Half- Spindle	0530.004	Included	N/A
Thick door kit	Extend wood door	6501.000.A	\$6	\$6
Extended lip Strike		6037.150.R158	\$65	\$65
				\$946

Interior Privacy Doors – 4 doors

Trim #	Description	Part #	Unit Price	Total
5166	Lever	5166.150.MR	\$145	\$580
5146	Rose	5146.150	\$44	\$176
Mechanism	Latch	5513.150.P	\$55	\$220
Pre-bored	Adaptor	6502.009	\$10	\$40
				\$1,016

Interior Passage Doors – 4 doors

Trim #	Description	Part #	Unit Price	Total
5166	Lever	5166.150.MR	\$145	\$580
5046	Rose	5046.150	\$44	\$176
Mechanism	Latch	5513.150	\$55	\$220
Pre-bored	Adaptor	6502.009	\$10	\$40
				\$1,016

Deadbolt – 2 doors

Trim #	Description	Part #	Unit Price	Total
Contemporary	Deadbolt	8241.15	\$95	\$190
				\$190

Total House \$3,168

Exterior Front Door – Tubular

	Description	Part #	Unit Price	Total
Handle Set	Seattle	SC.SEAXSQU.R.CSR.150	\$305	\$305
Inside lever	Square			
Rose	Contemporary Square Rose			
			\$305	\$305

Interior Privacy doors – 4 doors

Trim #	Description	Part #	Unit Price	Total
Lever	Square	PV.SQU.R.CSR.150	\$105	\$420
Rose	Contemporary Square Rose			
			\$105	\$420

Interior Passage doors – 2 doors

Trim #	Description	Part #	Unit Price	Total
Lever	Square	PS.SQU.R.CSR.150	\$105	\$210
Rose	Contemporary Square Rose			
			\$105	\$210

Interior Entry doors – 2 doors

Trim #	Description	Part #	Unit Price	Total
Lever	Square	EN.SQU.R.CSR.150	\$170	\$340
Rose	Contemporary Square Rose			
			\$170	\$340

Total House \$1,275

*Two passage doors are entry doors that use a passage lever.
 *Must use roses 2.625' (Large enough to cover 2.125" pre bored doors).
 *May add deadbolt for 2 point locking for an extra \$60 per door w/ Reserve.

BALDWIN PORTFOLIO COMPARISON

Baldwin luxury is available in a range of styles, finishes, and price points within the various product portfolios: Estate, Reserve, and Prestige Series. Whatever your customer's design aesthetic, Baldwin has a product to fit their design needs.

	ESTATE™	RESERVE™	Prestige Series™
STYLE & FINISH OFFERING	\$\$\$-\$\$\$\$	\$\$	\$
Knob/Lever Style Options	89	11	4
Rose Style Options	65	7	2
Entry Style Options	68	15	7
Finishes Available	20	8	3
PVD Lifetime Finishes	○	-	-
Lacquer Finishes	○	●	●
Living Finishes	○	-	-
Concealed Screws and Fasteners	●	-	-
PERFORMANCE, OPERATION, APPLICATION			
Lifetime Mechanical Warranty	●	●	●
Tubular Lock Operation	○	●	●
Mortise Lock Operation	○	-	-
Multipoint Application	○	-	-
Emergency Egress Entry	○	-	-
Latch Operation	28° Rotation with Nylon insert for quiet operation	Adjustable Backset	Adjustable Backset
Handle Grip Material	Forged Brass	Forged Brass	Forged Brass
Knob/Lever Material	Forged Brass	Forged Brass	Cast Metal
CYLINDER TECHNOLOGY			
C-Keyway Cylinder	●	●	-
SmartKey® Cylinder	-	○	●
Keyless Entry/Electronic Locks	○	-	-
Master Keying	○	○	-
Construction Keying	○	○	-
Other Specialty Keying	○	-	-
AVAILABLE OPTIONS			
Preconfigured Locksets	Yes	-	Yes
Customization	Yes	Yes	-
Coordinating Home Hardware	Yes	Yes	-
Coordinating Cabinet Hardware	Yes	-	Yes
Primary Ordering	Select Preconfigured A la Carte	Configured	Preset SKUs

● Standard ○ Optional - Not Available

FINISHES & WARRANTY



*HAND-RELIEVED FINISH VARIANCES:
(049, 112, 150, 152, 481)
Product finishes which are HAND-RELIEVED may vary in luster, hue, and appearance as a result of handcrafted variances in the final finishing step.

*ESTATE LIFETIME PVD FINISHES
*OTHER FINISHES AVAILABLE

LIMITED LIFETIME MECHANICAL WARRANTY

Baldwin Hardware warrants to the original residential purchaser that each Baldwin product shall be free of mechanical defect for as long as the purchaser occupies the residential premises upon which the product was originally installed.
For finish warranty, please consult the price book.

BALDWIN ACCESSORIES

Baldwin offers a wide variety of accessories in all finishes to complement your door hardware. Please check our entire offering in our price books and website.



BALDWIN®

19701 DA VINCI · LAKE FOREST · CALIFORNIA 92610

P. 800.437.7448

F. 800.255.9785

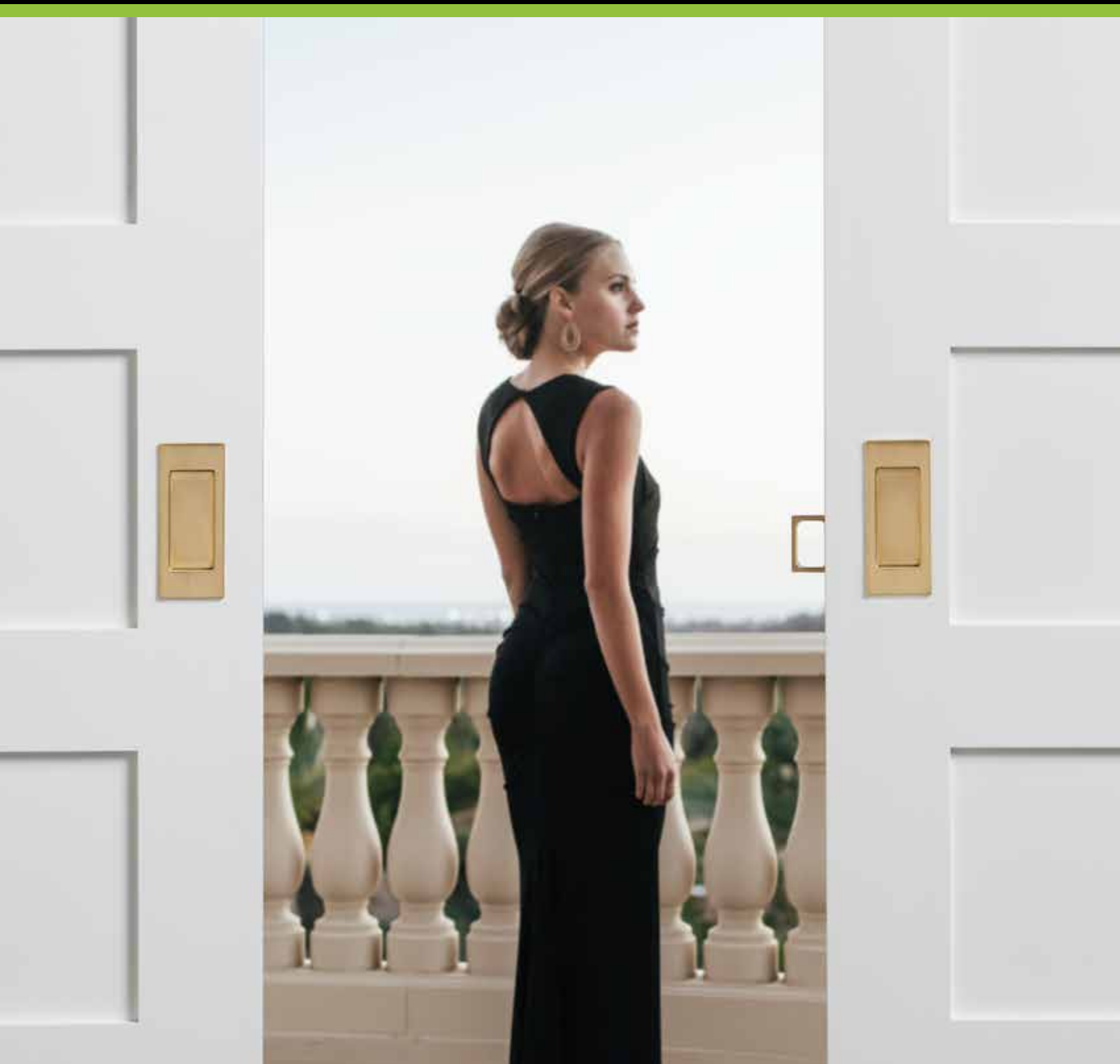
BALDWINHARDWARE.COM

IN-L-B40015

©2015 SPECTRUM BRANDS, INC. LAKE FOREST, CA. USA

BALDWIN®

ESTATE™

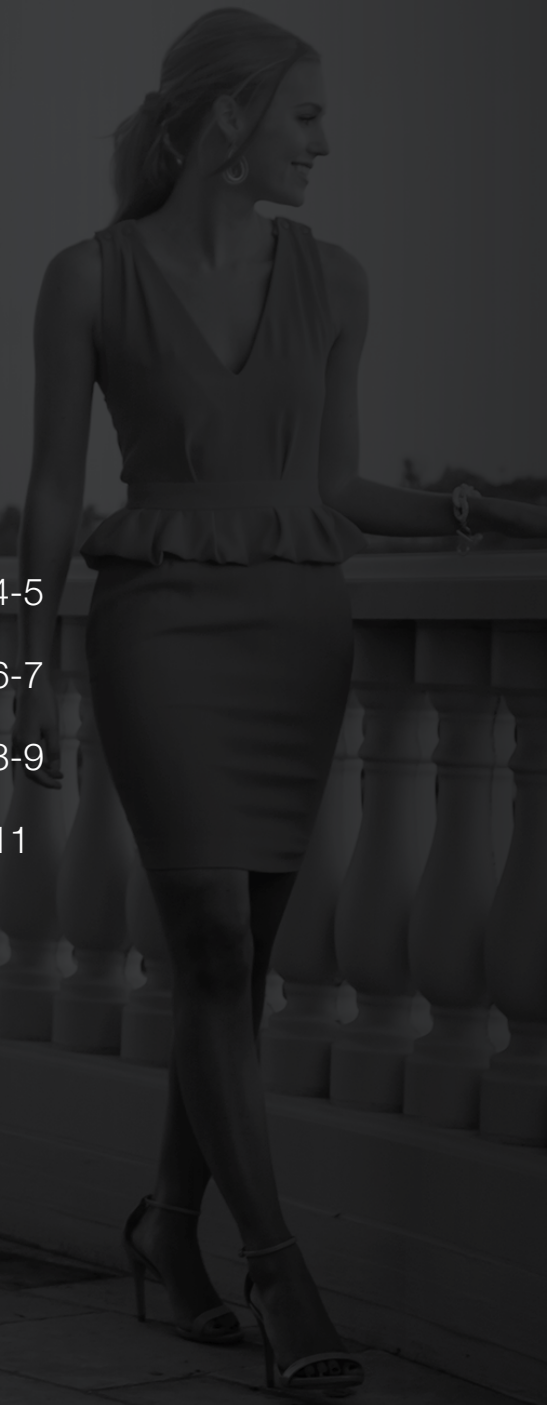


POCKET DOOR LOCK BROCHURE

BALDWIN®

TABLE OF CONTENTS

Boulder	4-5
Palo Alto	6-7
Santa Monica	8-9
Finishes	11



OWN IT.™

Introducing the new pocket door lock from Baldwin. Check out the Boulder, Palo Alto and Santa Monica large and small. Available in four styles, we have the pocket door lock for every design aesthetic. Baldwin offers these four styles in privacy, passage and keyed entry, in the highest quality; just what you expect from Baldwin. Unlock your design inspiration.



BALDWIN

BOULDER

The Boulder collection features rustic undertones, and is available in 20 finishes.



PD016.150.KC



PD016.150.KT



PD016.150.KE

PALO ALTO

The Palo Alto style blends soft lines with a contemporary flair. Available in 18 finishes.



BALDWIN



PD007.150.KC



PD007.150.KT



PD007.150.KE

SANTA MONICA

The Santa Monica style puts a visual emphasis on vertical and horizontal lines, with a focus on pure geometry without sacrificing comfort. It's available in both Large and Small varieties in all 20 finishes.



PD005.150.KC



PD005.150.KT



PD005.150.KE



PD006.150.KC



PD006.150.KT



PD006.150.KE

BALDWIN





BALDWIN

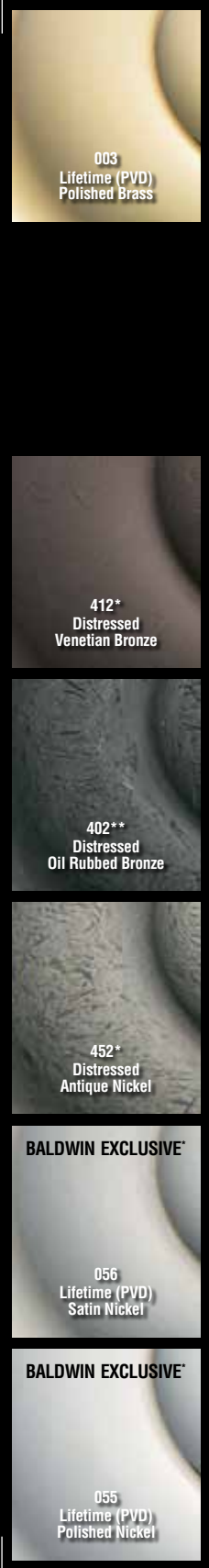
POCKET DOOR LOCK FINISHES

TIER 1



TIER 1

TIER 2



TIER 2

DISTRESSED FINISHES:

Not all hardware is available Distressed. The rugged tumbling process would damage some components. In cases where distressing is not possible, the equivalent non-distressed finish will be provided.

412 = 112

402 = 102

452 = 152 Antique Nickel with Matte lacquer (151 has gloss lacquer)

Hardware NOT available distressed includes:

- > All mortise locks, cylinders, latches, strikes
- > Certain levers & handleset trim (noted on those pages)

* HAND-RELIEVED FINISH VARIANCES:

(050, 060, 112, 151, 412, 452)

Product finishes which are HAND RELIEVED may vary in luster, hue and appearance as a result of handcrafted variances in the final finishing step.

** LIVING FINISH

(031, 033, 102, 402)

Product finishes which are LIVING will vary over time. They are not eligible for finish warranty.

Baldwin #	US #	BHMA #
030 =	3	605
031 =	3NL	-
040 =	4	606
050 =	5	609
060 =	6	608
102 =	10B	613
150 =	15	619
190 =	19	622
260 =	26	625
264 =	26D	626

BALDWIN®

19701 DA VINCI · LAKE FOREST · CALIFORNIA 92610

800.437.7448

BALDWINHARDWARE.COM

BALDWIN®



Prestige Series™

CABINET HARDWARE & BATH ACCESSORIES

BALDWIN®



4391 Knob and 4392 Pull in Satin Nickel Finish

CABINET HARDWARE - KNOBS & PULLS

Whether you are looking to restore a vintage piece to its original grandeur, elevate a cabinet's appearance with decorative details, or carry a consistent motif throughout your home, our collection of elegant cabinet hardware brings authentic style to every home.



Knob
4381.260.BIN
\$8.00



Knob
4381.192.BIN
\$8.00



Knob
4391.150.BIN
\$8.00



Pull
4382.260.BIN
\$11.00



Pull
4382.192.BIN
\$11.00



Pull
4392.150.BIN
\$10.00



Knob
4383.150.BIN
\$8.00



Knob
4383.192.BIN
\$8.00



Knob
4383.260.BIN
\$8.00



Pull
4384.150.BIN
\$11.00



Pull
4384.192.BIN
\$11.00



Pull
4384.260.BIN
\$11.00

Finishes limited to those shown.
See back cover for dimensions.

BALDWIN®



Knob
4385.112.BIN
\$8.00



Knob
4387.112.BIN
\$8.00



Pull
4386.112.BIN
\$11.00



Pull
4388.112.BIN
\$12.00

Finishes limited to those shown.
See back cover for dimensions.



4385 Knob and 4386 Pull in Venetian Bronze Finish



Knob
4389.474.BIN
\$8.00



Knob
4389.150.BIN
\$8.00



Pull
4390.474.BIN
\$11.00



Pull
4390.150.BIN
\$11.00

Finishes limited to those shown.
See back cover for dimensions.

BALDWIN®

Make quality and luxury a part of your every day with premium Baldwin bath accessories in a variety of decorative styles. Each family of bath accessories is made of the finest materials and comes with a Lifetime Guarantee on workmanship and finish.

STONEGATE



24" Towel Bar
3591.150.24
\$ 54.00



18" Towel Bar
3591.150.18
\$48.00



Tissue Holder
3593.150.SP
\$35.00

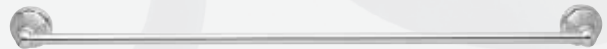


Towel Ring
3594.150
\$35.00



Robe Hook
3595.150.V2
\$23.00

CANAVERAL



24" Towel Bar
3781.260.24
\$48.00



18" Towel Bar
3781.260.18
\$42.00



Tissue Holder
3783.260.SP
\$29.00



Towel Ring
3784.260
\$29.00



Robe Hook
3785.260
\$23.00

Finishes limited to those shown.

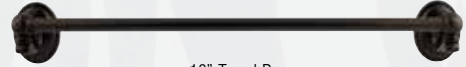
CHAMPLAIN



24" Double Towel Bar
3862.112.24
\$72.00



24" Towel Bar
3861.112.24
\$54.00



18" Towel Bar
3861.112.18
\$48.00



Tissue Holder
3863.112.SP
\$35.00



Towel Ring
3864.112
\$35.00



Robe Hook
3865.112
\$23.00

MIAMI



24" Towel Bar
3891.112.24
\$52.00



18" Towel Bar
3891.112.18
\$46.00



Tissue Holder
3893.112.SP
\$32.00



Towel Ring
3894.112
\$39.00

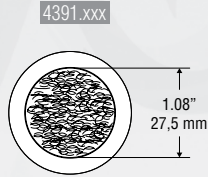
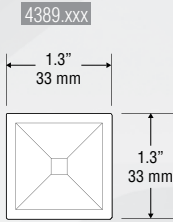
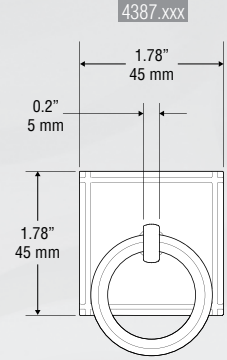
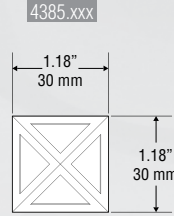
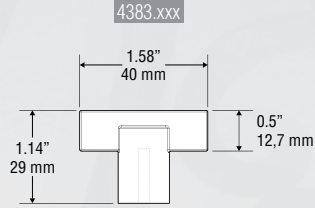
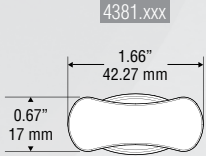


Robe Hook
3895.112
\$23.00

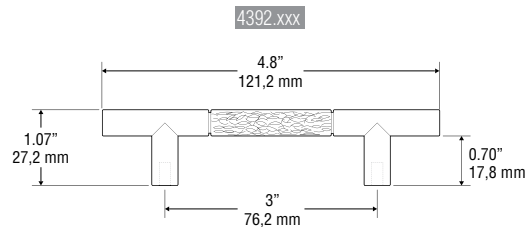
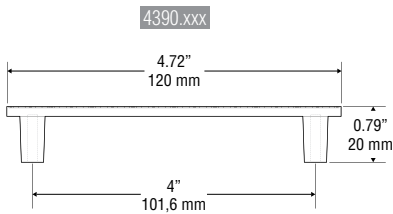
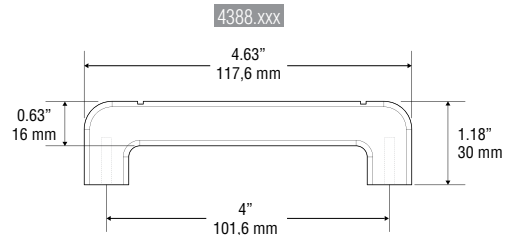
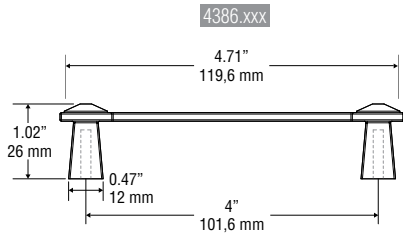
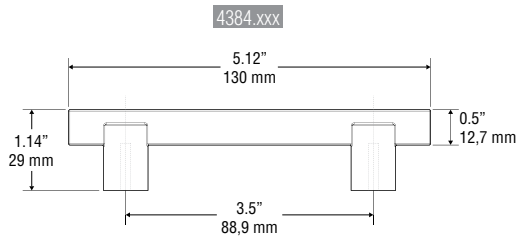
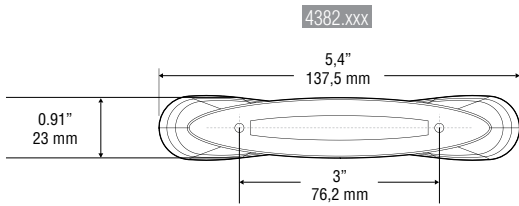
Finishes limited to those shown.

CABINET HARDWARE DIMENSIONS

KNOB



PULLS



BALDWIN

19701 DA VINCI · LAKE FOREST · CALIFORNIA 92610

800.566.1986

BALDWINHARDWARE.COM

BALDWIN®

ESTATE™



QUICKSHIP PROGRAM 2016

BALDWIN®

TABLE OF CONTENTS

Handlesets.....	4-7
Pre-Configured Knobs & Levers.....	8-11
Deadbolts	12
Hinges	13
Mortise Locks	14-15

OWN IT.™

We're pleased to offer the new Baldwin QuickShip program. QuickShip is designed to expedite shipping of the most popular styles, designs and finishes to customers. Nearly 600 SKUs will be available through Baldwin QuickShip and customers will be delighted to know their order will be processed and shipped within five days, from order confirmation.

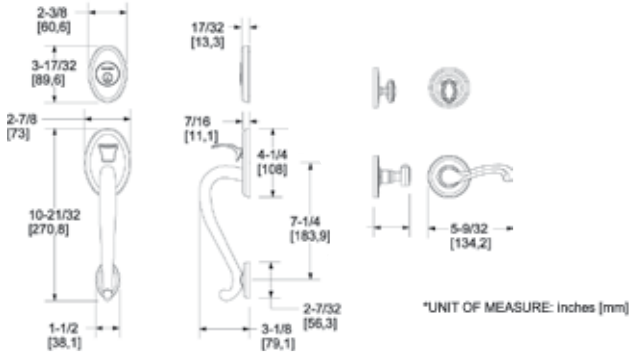
The mix of products includes Baldwin's best-selling handlesets, preconfigured knobs and levers, keyed entry knobs, levers and high-quality hinges.

Thirteen handlesets will be available in five stunning finishes and in both tubular and mortise functions. QuickShip is exclusive to the Baldwin Estate portfolio, which offers signature looks with unparalleled elegance and unrivaled quality. From traditional and transitional to modern and contemporary, Baldwin's QuickShip program offers the best in design flexibility, style and delivery.

BALDWIN. OWN IT.

TUBULAR HANDLESETS

Logan Sectional Trim w/ 5455V Wave Lever

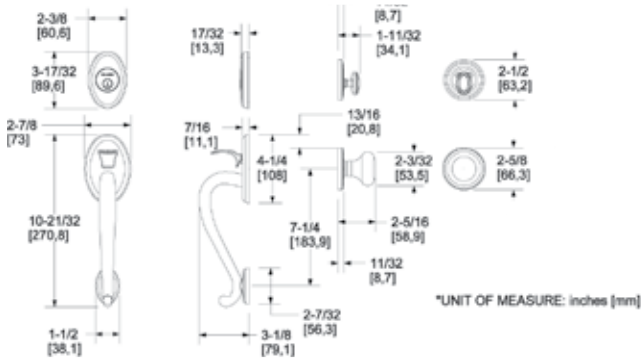


Item #	Description	Wt.	102, 112, 150	003
85315.xxx.RENT	Single cylinder handleset with lever - RH Entry	6.7	450	525
85315.xxx.LENT	Single cylinder handleset with lever - LH Entry			



Comes with Adjustable Backset.

Logan Sectional Trim w/ 5015 Classic Knob

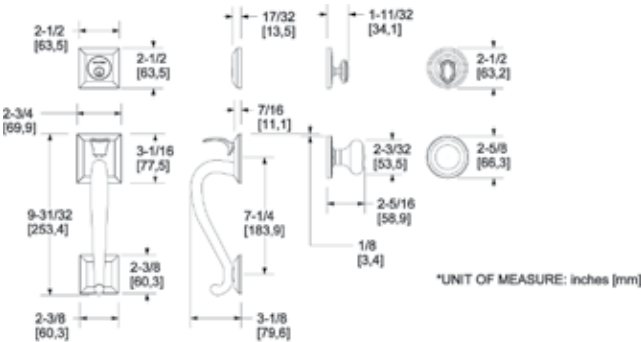


Item #	Description	Wt.	102, 112, 150	003
85315.xxx.ENTR	Single cylinder handleset with interior knob	5.6	\$450	\$525



Comes with Adjustable Backset.

Madison® Sectional Trim w/ 5015 Classic knob

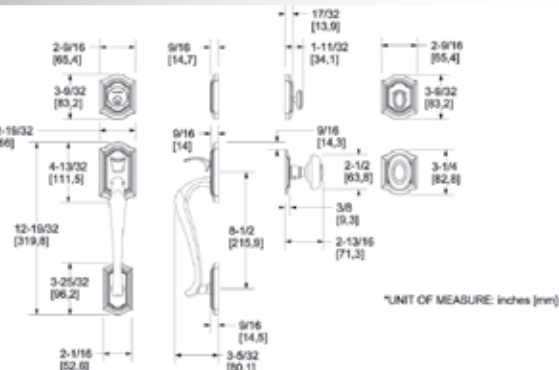


Item #	Description	Wt.	102, 112, 150	003
85320.xxx.ENTR	Single cylinder handleset with interior knob	5.6	\$450	\$525



Comes with Adjustable Backset.

Bethpage® Sectional Trim w/ 5077 Bethpage knob



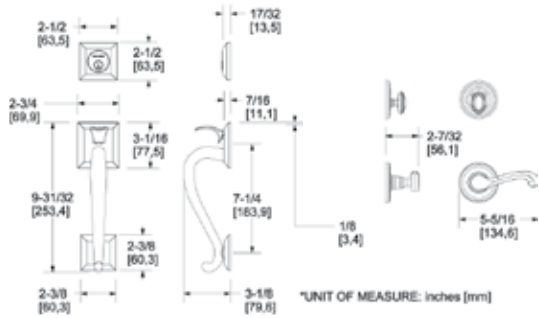
Item #	Description	Wt.	102, 112, 150	003
85327.xxx.ENTR	Single cylinder handleset with interior knob	5.8	\$450	\$525



Comes with Adjustable Backset.

TUBULAR HANDLESETS

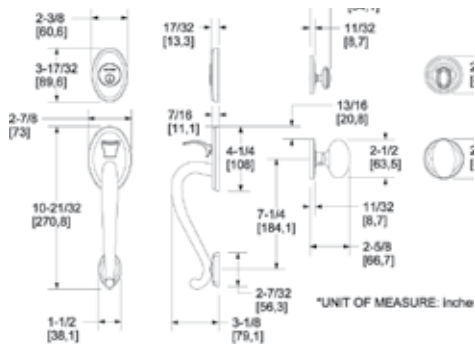
Madison® Sectional Trim w/ 5445V Classic lever



Comes with Adjustable Backset.

Item #	Description	Wt.	102, 112, 150, 260	003
85320.xxx.RENT	Single cylinder handleset with lever – RH Entry	6.6	450	525
85320.xxx.LENT	Single cylinder handleset with lever – LH Entry			

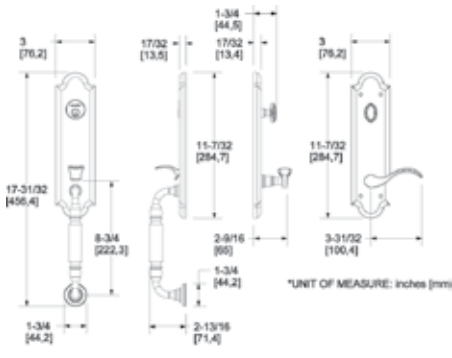
Logan Sectional Trim w/ 5025 Egg knob



Comes with Adjustable Backset.

Item #	Description	Wt.	102, 112, 150	003
85335.xxx.ENTR	Single cylinder handleset with interior knob	5.7	\$450	\$525

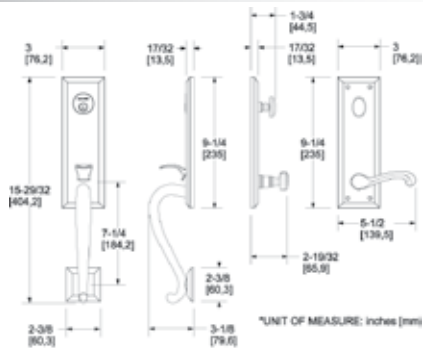
Manchester Emergency Egress Handleset w/ 5455V Wave lever



Comes with Adjustable Backset.

Item #	Description	Wt.	102, 112, 150	003
85350.xxx.RENT	Single cylinder handleset w/ lever, emergency egress – RH Entry	8.3	600	675
85350.xxx.LENT	Single cylinder handleset w/ lever, emergency egress – LH Entry			

Stonegate Emergency Egress Handleset w/ 5445V Classic lever

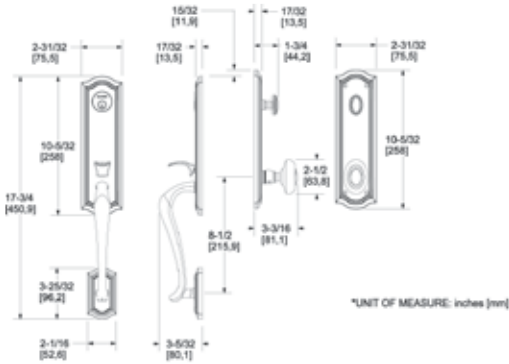


Comes with Adjustable Backset.

Item #	Description	Wt.	102, 112, 150	003
85355.xxx.RENT	Single cylinder handleset w/ lever, emergency egress – RH Entry	8.1	600	675
85355.xxx.LENT	Single cylinder handleset w/ lever, emergency egress – LH Entry			

TUBULAR HANDLESETS

Bethpage® Emergency Egress Handleset w/ 5077 Bethpage knob

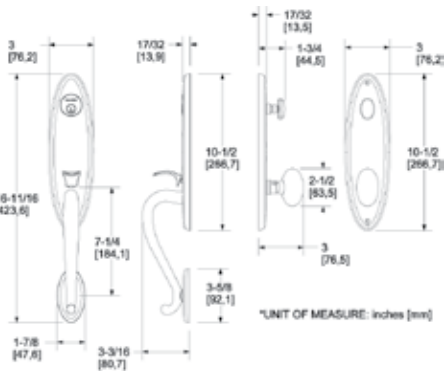


Item #	Description	Wt.	102, 112, 150	003
85337.xxx.ENTR	Single cylinder handleset with interior knob, emergency egress	6.8	\$600	\$675



Comes with Adjustable Backset.

Blakely Emergency Egress Handleset w/ 5025 Egg knob

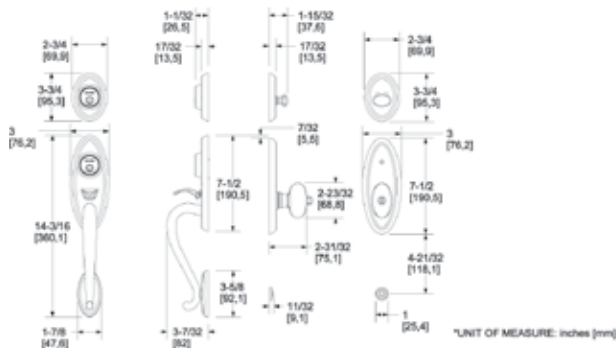


Item #	Description	Wt.	102, 112, 150	003
85360.xxx.ENTR	Single cylinder handleset with interior knob	6.8	\$600	\$675



Comes with Adjustable Backset.

Landon® Two-Point Lock Handleset w/ 5225 Egg knob



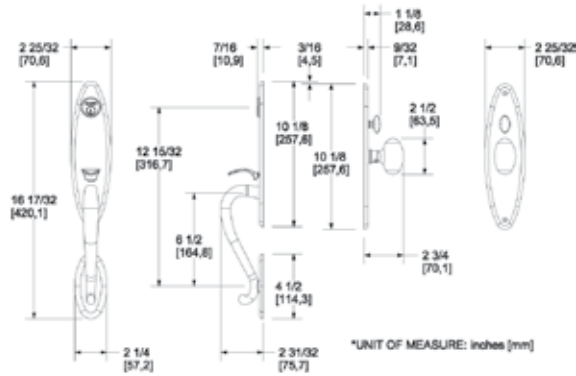
Item #	Description	Wt.	102, 112, 150, 260	003
85345.xxx.2ENT	Single cylinder handleset with interior knob	8.8	\$550	\$625



Comes with Adjustable Backset.

Springfield Handleset w/ 5025 Egg knob

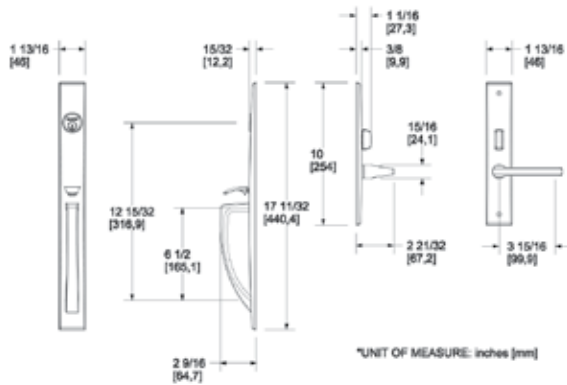
Item #	Description	Wt.	102,	003
			112, 150, 260	
6573.xxx.ENTR	Entrance Trim	9.5	\$495	\$570



Requires additional components. See page 15 for details.

Lakeshore™ Handleset

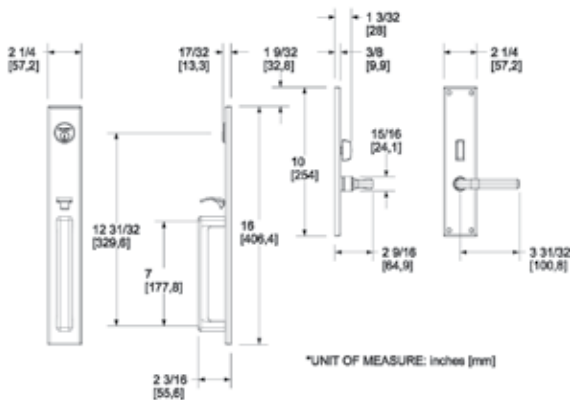
Item #	Description	Wt.	102	055
			112, 150, 260	
6966.xxx.RENT (LENT)	Entrance Trim – Lakeshore	5.0	\$795	\$870



Requires additional components. See page 15 for details.

Minneapolis Handleset

Item #	Description	Wt.	102	055
			112, 150, 260	
6976.xxx.RENT (LENT)	Entrance Trim	5.5	\$495	\$570



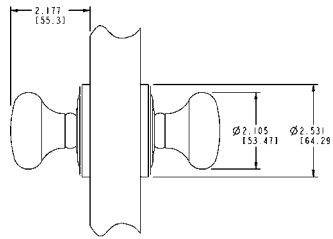
Requires additional components. See page 15 for details.

KNOBS

PRE-CONFIGURED SETS

5015 Classic Knob w/ 5048 Rose

Passage, Privacy & Dummy

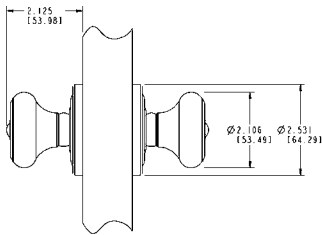


Item #	Description	Wt.	030, 031, 102	
			112, 150, 260	003, 055
5015.xxx.FD	Full Dummy	1.9	\$130	\$160
5015.xxx.IDM	Half Dummy	1.0	65	80
5015.xxx.PASS	Passage: 2 3/8" backset	2.5	160	190
5015.xxx.PRIV	Privacy: 2 3/8" backset			

- Other finishes and roses available a la carte at standard lead time.
- 1-3/8" thick doors only.
- PASS and PRIV functions ship with full lip strike.
- QuickShip is only available with 2 3/8" backset latch. A 2 3/4" backset latch is available at standard lead time.

5020 Colonial Knob w/ 5048 Rose

Passage, Privacy & Dummy

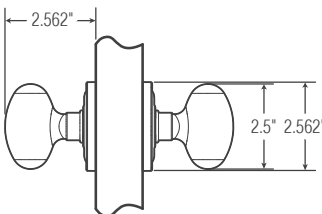


Item #	Description	Wt.	030, 031, 102	
			112, 150, 260	003, 055
5020.xxx.FD	Full Dummy	2.0	\$130	\$160
5020.xxx.IDM	Half Dummy	1.0	65	80
5020.xxx.PASS	Passage: 2 3/8" backset	2.6	160	190
5020.xxx.PRIV	Privacy: 2 3/8" backset			

- Other finishes and roses available a la carte at standard lead time.
- 1-3/8" thick doors only.
- PASS and PRIV functions ship with full lip strike.
- QuickShip is only available with 2 3/8" backset latch. A 2 3/4" backset latch is available at standard lead time.

5025 Egg Knob w/ 5048 Rose

Passage, Privacy & Dummy

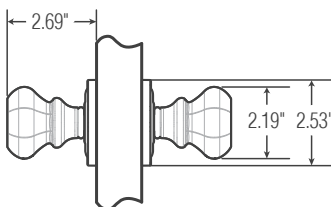


Item #	Description	Wt.	030, 031, 102	
			112, 150, 260	003, 055
5025.xxx.FD	Full Dummy	2.8	\$130	\$160
5025.xxx.IDM	Half Dummy	1.6	65	80
5025.xxx.PASS	Passage: 2 3/8" backset	3.4	160	190
5025.xxx.PRIV	Privacy: 2 3/8" backset			

- Other finishes and roses available a la carte at standard lead time.
- 1-3/8" thick doors only.
- PASS and PRIV functions ship with full lip strike.
- QuickShip is only available with 2 3/8" backset latch. A 2 3/4" backset latch is available at standard lead time.

5080 Fillmore Knob w/ 5048 Rose

Passage, Privacy & Dummy



Item #	Description	Wt.	030, 102,	
			112, 150, 260	
5080.xxx.FD	Full Dummy	2.5	\$130	
5080.xxx.IDM	Half Dummy	1.3	65	
5080.xxx.PASS	Passage: 2 3/8" backset	3.1	160	
5080.xxx.PRIV	Privacy: 2 3/8" backset			

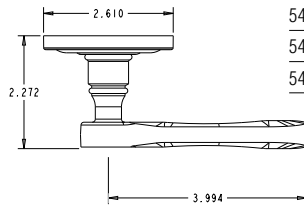
- Other finishes and roses available a la carte at standard lead time.
- 1-3/8" thick doors only.
- PASS and PRIV functions ship with full lip strike.
- QuickShip is only available with 2 3/8" backset latch. A 2 3/4" backset latch is available at standard lead time.

Emergency Exit: The Knob or lever will retract the bolt while the exterior remains locked.

Standard Exit: The knob or lever must be unlocked prior to exit.

BALDWIN

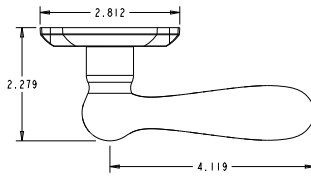
5445V Classic Lever w/ 5048 Rose
Passage, Privacy & Dummy



Item #	Description	Wt.	030, 031, 102, 112, 150, 260	003, 055
5445V.xxx.FD	Full Dummy	1.5	\$130	\$160
5445V.xxx.RDM	RIGHT Hand Half Dummy	1.1	65	80
5445V.xxx.LDM	LEFT Hand Half Dummy			
5445V.xxx.PASS	Passage: 2 3/8" backset	2.1	160	190
5445V.xxx.PRIV	Privacy: 2 3/8" backset			

• Other finishes and roses available a la carte at standard lead time.
• 1-3/8" thick doors only.
• PASS and PRIV functions ship with full lip strike.
• QuickShip is only available with 2 3/8" backset latch. A 2 3/4" backset latch is available at standard lead time.

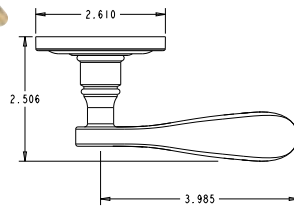
5452V Beavertail Lever w/ R030 Rose
Passage, Privacy & Dummy



Item #	Description	Wt.	102, 112	402
5452V.xxx.FD	Full Dummy	2.4	\$130	\$160
5452V.xxx.RDM	RIGHT Hand Half Dummy	1.1	65	80
5452V.xxx.LDM	LEFT Hand Half Dummy			
5452V.xxx.PASS	Passage: 2 3/8" backset	2.9	160	190
5452V.xxx.PRIV	Privacy: 2 3/8" backset			

• Other finishes and roses available a la carte at standard lead time.
• 1-3/8" thick doors only.
• PASS and PRIV functions ship with full lip strike.
• QuickShip is only available with 2 3/8" backset latch. A 2 3/4" backset latch is available at standard lead time.

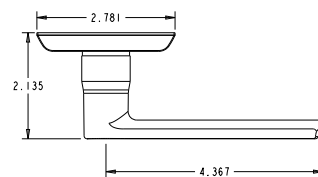
5455V Wave Lever w/ 5048 Rose
Passage, Privacy & Dummy



Item #	Description	Wt.	030, 031, 102, 112, 150, 260	003, 055
5455V.xxx.FD	Full Dummy	1.5	\$130	\$160
5455V.xxx.RDM	RIGHT Hand Half Dummy	0.8	65	80
5455V.xxx.LDM	LEFT Hand Half Dummy			
5455V.xxx.PASS	Passage: 2 3/8" backset	2.1	160	190
5455V.xxx.PRIV	Privacy: 2 3/8" backset			

• Other finishes and roses available a la carte at standard lead time.
• 1-3/8" thick doors only.
• PASS and PRIV functions ship with full lip strike.
• QuickShip is only available with 2 3/8" backset latch. A 2 3/4" backset latch is available at standard lead time.

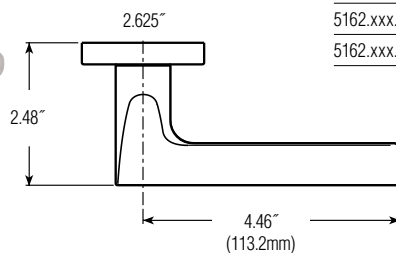
5485V Soho Lever w/ R026 Rose
Passage, Privacy & Dummy



Item #	Description	Wt.	102, 150, 260	055, 056
5485V.xxx.FD	Full Dummy	1.8	\$130	\$160
5485V.xxx.RDM	RIGHT Hand Half Dummy	1.0	65	80
5485V.xxx.LDM	LEFT Hand Half Dummy			
5485V.xxx.PASS	Passage: 2 3/8" backset	2.3	160	190
5485V.xxx.PRIV	Privacy: 2 3/8" backset			

• Other finishes and roses available a la carte at standard lead time.
• 1-3/8" thick doors only.
• PASS and PRIV functions ship with full lip strike.
• QuickShip is only available with 2 3/8" backset latch. A 2 3/4" backset latch is available at standard lead time.

5162 Lever w/ R017 Rose
Passage, Privacy & Dummy

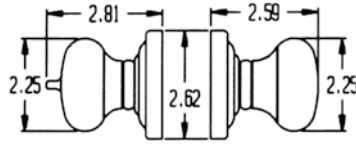


Item #	Description	Wt.	102, 150, 260	055, 056
5162.xxx.FD	Full Dummy	2.2	\$150	\$180
5162.xxx.RDM	RIGHT Hand Half Dummy	1.1	75	90
5162.xxx.LDM	LEFT Hand Half Dummy			
5162.xxx.PASS	Passage: 2 3/8" backset	2.8	180	210
5162.xxx.PRIV	Privacy: 2 3/8" backset			

• Other finishes and roses available a la carte at standard lead time.
• 1-3/8" thick doors only.
• PASS and PRIV functions ship with full lip strike.
• QuickShip is only available with 2 3/8" backset latch. A 2 3/4" backset latch is available at standard lead time.

KNOBS TUBULAR KEYED ENTRY

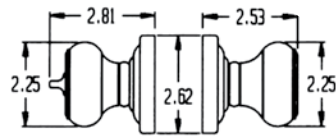
Classic Knob w/ Classic Rose



Item #	Description	Wt.	102, 112, 150, 260	003
5205.xxx.ENTR	Emergency Exit	3.1	\$220	\$250
5206.xxx.ENTR	Emergency Exit: 1 1/8" to 2 1/4" doors			

Comes with Adjustable Backset.

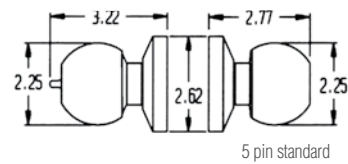
Colonial Knob w/ Classic Rose



Item #	Description	Wt.	102, 112, 150, 260	003
5210.xxx.ENTR	Emergency Exit	3.1	\$220	\$250
5211.xxx.ENTR	Emergency Exit: 1 1/8" to 2 1/4" doors			

Comes with Adjustable Backset.

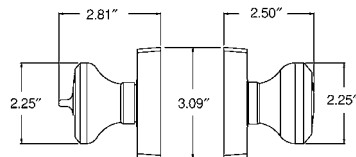
Contemporary Knob w/ Contemporary Rose



Item #	Description	Wt.	102, 112, 150, 260	003
5215.xxx.ENTR	Emergency Exit	3.4	\$220	\$250
5216.xxx.ENTR	Emergency Exit: 1 1/8" to 2 1/4" doors			

Comes with Adjustable Backset.

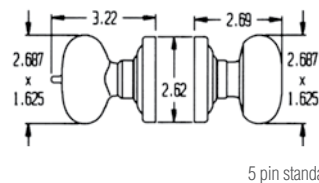
5023 Knob w /Contemporary Rose



Item #	Description	Wt.	102, 112, 150, 260	003
5275.xxx.ENTR	Emergency Exit	4.2	\$220	\$250
5276.xxx.ENTR	Emergency Exit: 1 1/8" to 2 1/4" doors			

Comes with Adjustable Backset.

Egg Knob w/ Classic Rose



Item #	Description	Wt.	102, 112, 150, 260	003
5225.xxx.ENTR	Emergency Exit	3.6	\$220	\$250
5226.xxx.ENTR	Emergency Exit: 1 1/8" to 2 1/4" doors			

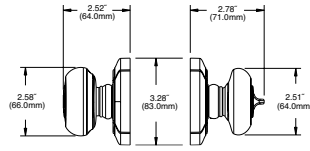
Comes with Adjustable Backset.

Emergency Exit: The Knob or lever will retract the bolt while the exterior remains locked.

Standard Exit: The knob or lever must be unlocked prior to exit.

BALDWIN

Bethpage Knob

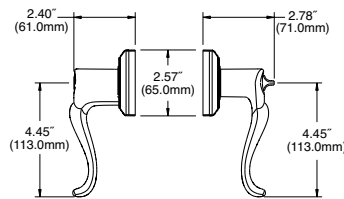


5 pin standard

Comes with Adjustable Backset.

Item #	Description	Wt.	102, 112, 150, 260	003
5237.xxx.ENTR	Emergency Exit			
5238.xxx.ENTR	Emergency Exit: 1 1/8" to 2 1/4" doors	3.6	\$220	\$250

Bethpage Lever w/ Bethpage Rose

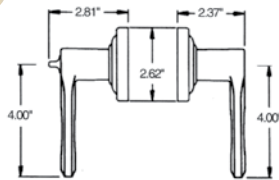


5 pin standard

Comes with Adjustable Backset.

Item #	Description	Wt.	102, 112, 150, 260	003
5237.xxx.RENT	RIGHT Hand Emergency Exit	3.9	\$220	\$250
5237.xxx.LENT	LEFT Hand Emergency Exit			

Classic Lever w/ Classic Rose

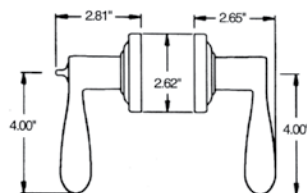


5 pin standard

Comes with Adjustable Backset.

Item #	Description	Wt.	102, 112, 150, 260	003
5245.xxx.RENT	RIGHT Hand Emergency Exit	2.2	\$220	\$250
5245.xxx.LENT	LEFT Hand Emergency Exit			

Wave Lever w/ Classic Rose



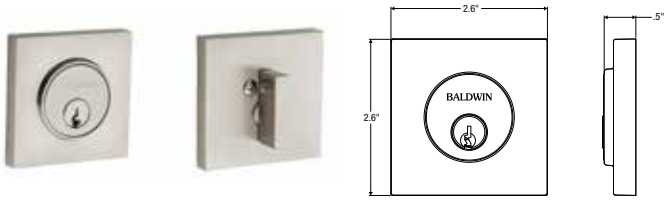
5 pin standard

Comes with Adjustable Backset.

Item #	Description	Wt.	102, 112, 150, 260	003
5255.xxx.RENT	RIGHT Hand Emergency Exit	2.8	\$220	\$250
5255.xxx.LENT	LEFT Hand Emergency Exit			

DEADBOLTS

8220 Contemporary Deadbolt – 2 1/8" Door Prep



Item #	Description	Wt.	102,	
			112, 150, 260	003
8220.xxx	Single cylinder deadbolt	1.7	\$95	\$110

*QuickShip deadbolts are for 1.75" thick doors
**Thick door kits available at standard leadtimes

Comes with Adjustable Backset.

8231 Traditional Deadbolt – 2 1/8" Door Prep

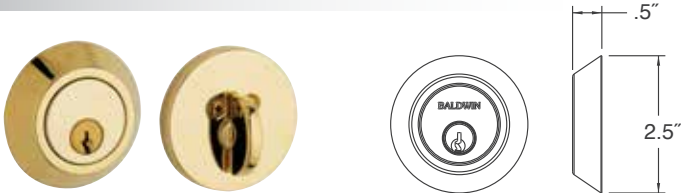


Item #	Description	Wt.	102,	
			112, 150, 260	003
8231.xxx	Single cylinder deadbolt	2.2	\$95	\$110

*QuickShip deadbolts are for 1.75" thick doors
**Thick door kits available at standard leadtimes

Comes with Adjustable Backset.

8241 Contemporary Deadbolt – 2 1/8" Door Prep

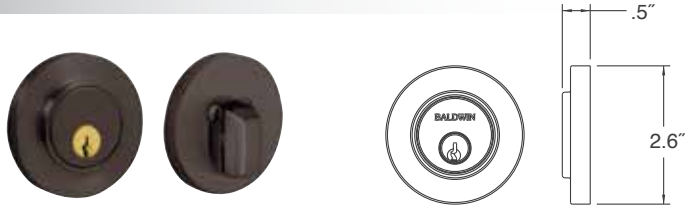


Item #	Description	Wt.	102,	
			112, 150, 260	003
8241.xxx	Single cylinder deadbolt	2.1	\$95	\$110

*QuickShip deadbolts are for 1.75" thick doors
**Thick door kits available at standard leadtimes

Comes with Adjustable Backset.

8244 Contemporary Deadbolt – 2 1/8" Door Prep

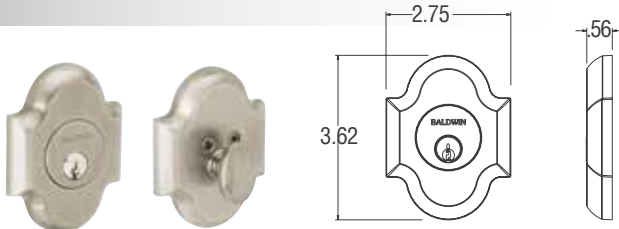


Item #	Description	Wt.	102,	
			112, 150, 260	003
8244.xxx	Single cylinder deadbolt	2.1	\$130	\$145

*QuickShip deadbolts are for 1.75" thick doors
**Thick door kits available at standard leadtimes

Comes with Adjustable Backset.

8252 Arched Deadbolt – 2 1/8" Door Prep

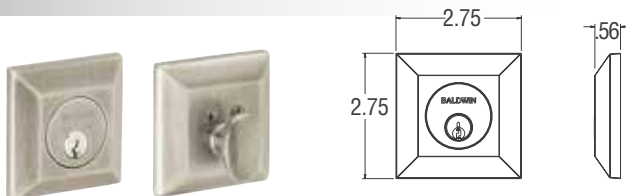


Item #	Description	Wt.	102, 112, 150	
			003	
8252.xxx	Single cylinder deadbolt	2.0	\$110	\$125

*QuickShip deadbolts are for 1.75" thick doors
**Thick door kits available at standard leadtimes

Comes with Adjustable Backset.

8254 Squared Deadbolt – 2 1/8" Door Prep



Item #	Description	Wt.	102, 112, 150	
			003	
8254.xxx	Single cylinder deadbolt	2.0	\$110	\$125

*QuickShip deadbolts are for 1.75" thick doors
**Thick door kits available at standard leadtimes

Comes with Adjustable Backset.

1035 3.5" x 3.5" – Square Corner

1035



Item #	Description	Per Box	Wt.	102, 112, 150, 260		003
1035.xxx.l	Hinge – 3.5" x 3.5"	1 each	0.7	\$38		\$48

1040 4" x 4" – Square Corner

1040



Item #	Description	Per Box	Wt.	102, 112, 150, 260		003
1040.xxx.l	Hinge – 4" x 4"	1 each	0.8	\$41		\$51

1135 3.5" x 3.5" – 5/8" Radius Corner

1135



Item #	Description	Per Box	Wt.	102, 112, 150, 260		003
1135.xxx.l	5/8" Radius Corner Hinge – 3.5" x 3.5"	1 each	0.7	\$26		\$36

1140 4" x 4" – 5/8" Radius Corner

1140



Item #	Description	Per Box	Wt.	102, 112, 150, 260		003
1140.xxx.l	5/8" Radius Corner Hinge – 4" x 4"	1 each	0.8	\$29		\$39

1435 3.5" x 3.5" – 1/4" Radius Corner

1435



Item #	Description	Per Box	Wt.	102, 112, 150, 260		003
1435.xxx.l	1/4" Radius Corner Hinge – 3.5" x 3.5"	1 each	0.7	\$26		\$36

1440 4" x 4" – 1/4" Radius Corner

1440



Item #	Description	Per Box	Wt.	102, 112, 150, 260		003
1440.xxx.l	1/4" Radius Corner Hinge – 4" x 4"	1 each	0.8	\$29		\$39

HOW TO ORDER MORTISE LOCKS

SUFFIX CHART

	Suffix	Minus Strike	With 1" Front*
Right hand	.R	.RDT	.R1DT
Left hand	.L	.LDT	.L1DT
Right hand Reverse bevel	.RR	.RRDT	.RR1DT
Left hand Reverse bevel	.LR	.LRDT	.LR1DT
Right hand Lever Strength	.RLS	.RLSDT	.RLS1DT
Left hand Lever Strength	.LLS	.LLSDT	.LLS1DT

*Applies to 2.5" backset locks. For 1" Front DT Distinguishes minus strike. If ordering with strike, do not include the DT note.

1. All Mortise Locks have a handed Suffix (.R or .L)
2. All Mortise Locks are either Knob Strength (no addition to Suffix) or Lever Strength (LS added to the Suffix)

WARNING: DO NOT USE Lever Strength mortise locks with knobs. They only turn one way and have a stiff turning action suitable for levers.

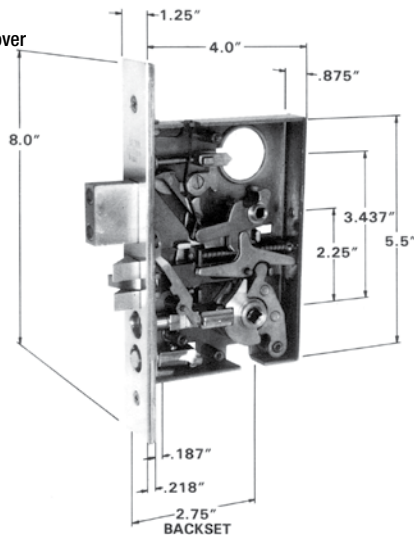
3. Other Mortise Lock options:
Reverse Bevel doors (RR or LR)
Minus Strike (DT), when an Extended Lip Strike is needed (order Strike separately) Optional 1" Front (1) for 1.375" doors
Optional 1" front for 1.375" doors are only available on 2.5" or smaller backsets
4. ALWAYS REVIEW SUFFIX CHART!

FOR MORE DETAILS CONSULT A BALDWIN ESTATE PRICEBOOK.

Available in QuickShip

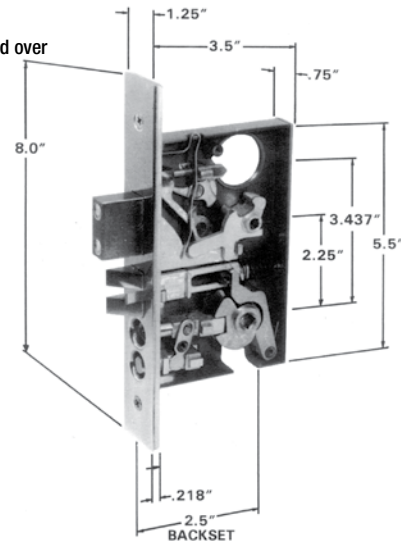
2.75" Backset

for doors 1.75" thick and over



2.5" Backset

for doors 1.375" thick and over



All 2.5" and 2.75" Entrance Mortise Locks are U/L Listed

Baldwin UL-listed 2.5" and 2.75" mortise locks meet US standard UL-10C and Canadian standard CAN4 S104-M80 for survival of a 3-hour burn under positive pressure. All Baldwin Estate Collection mortise entry trim and Estate Collection knob/lever trim may be used with Baldwin UL-listed mortise locks. NOTE: 1" lock fronts and locks less strike are NOT available in the QuickShip program.

List of available handling options	
	Suffix*
Right hand	.R
Left hand	.L
Right hand Lever Strength	.RLS
Left hand Lever Strength	.LLS

Item #	Description	Backset	Wt.	Std. Strike	102,	
					112, 150, 260	003, 055
6020.xxx.Suffix*	Residential Entrance	Handleset x Knob/Lever	2.75"	3.0	6040	
6021.xxx.Suffix*	Entrance – Emergency Egress	Handleset x Knob/Lever	2.75"	3.0	6040	\$330 \$350
6320.xxx.Suffix*	Residential Entrance	Handleset x Knob/Lever	2.5"	3.0	6340	
6321.xxx.Suffix*	Entrance – Emergency Egress	Handleset x Knob/Lever	2.5"	3.0	6340	\$330 \$350

2.75" backsets comes with the 1.25" front.

2.5" backsets comes with the 1.25" front.

> Specify handing with Suffix* after finish designation (Suffix chart above left)

NOTE: Baldwin recommends the usage of 2.75" backset locks for doors thicker than 2" or doors 8ft or taller.

WARNING: DO NOT USE lever Strength mortise locks with knobs. They only turn one way and have a stiff turning action suitable for levers.

Single Cylinder – C Keyway

8323



Item #	Description	102,	
		112, 150, 260	003, 055
8323.xxx	1.25" Mortise Cyl.	\$50	\$55

QuickShip Cylinder is only for 1.75" Thick Doors. Other mortise lock components, including thick door kits and locks less strikes are available with standard lead times. Please consult the Baldwin Estate Price Book or contact Baldwin Customer Service for details.

BALDWIN®

19701 DA VINCI · LAKE FOREST · CALIFORNIA 92610

800.437.7448

BALDWINHARDWARE.COM