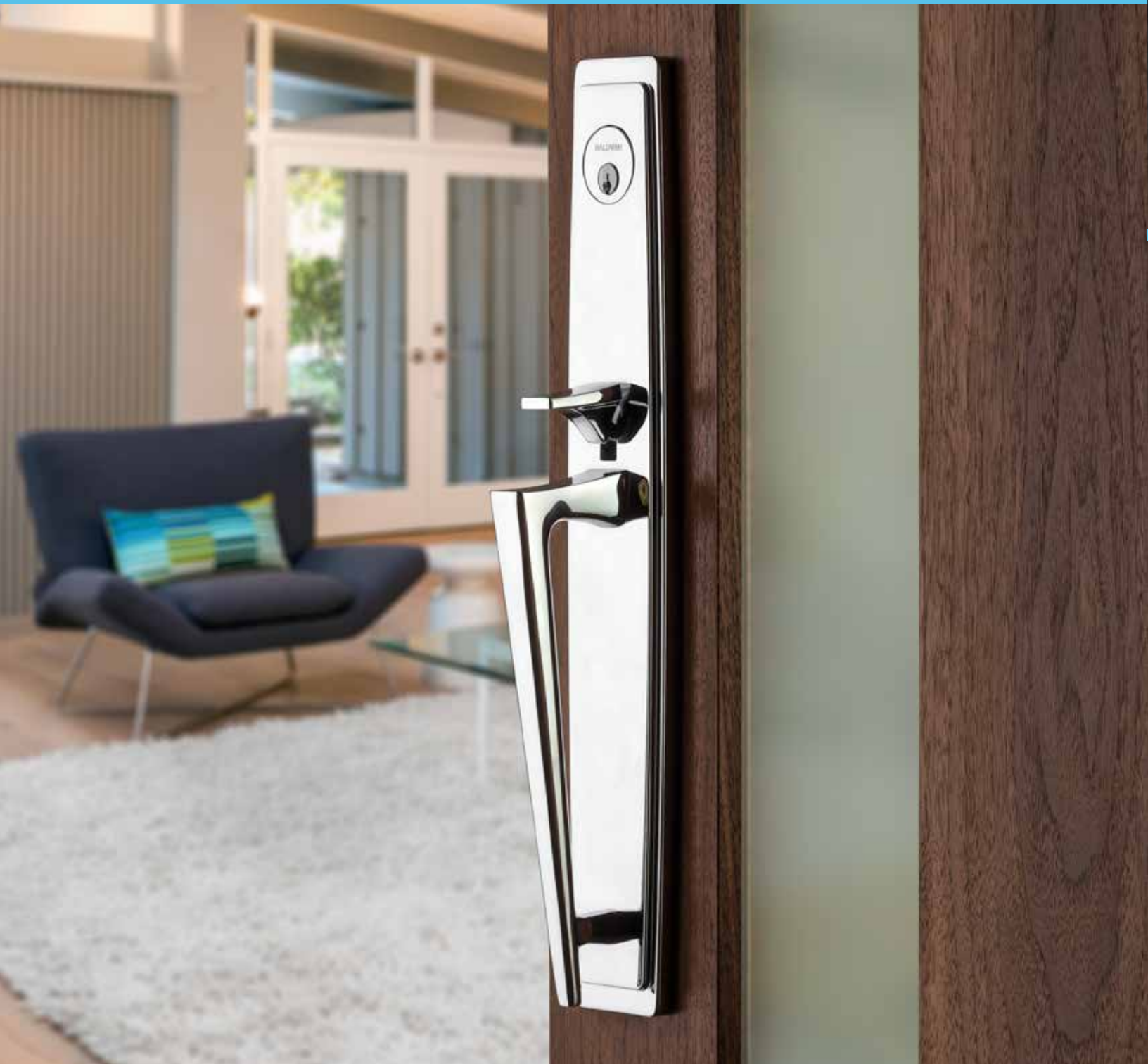


# BALDWIN®

## ESTATE™



PRICE BOOK JULY 2016



## BALDWIN CELEBRATING 70 YEARS OF DOOR COUTURE

Baldwin Hardware has been a timeless and trusted brand for 70 years. It boasts both style and substance and creates a charismatic presence in any home. Through generations, Baldwin's passionate pursuit of perfection has forged us into masters of our craft, so that today, you have the power to make a bold style statement without even saying a word. Create your signature look and show the world what true luxury is about with Baldwin.

### **Estate**

When people say it's lonely at the top, they're definitely not talking about Baldwin Estate. Estate includes seemingly infinite possibilities, elegant finishes and exclusive, custom styles. Our master craftsmen create each piece by hand and with the utmost care: It's no surprise Estate is the crowned jewel of the Baldwin brand. It feels custom made, because it is. No matter the design aesthetic, Estate has options so beautiful, tasteful, well made, and inviting, it's no surprise this top-of-the-line portfolio comes with plenty of company—everyone wants Baldwin Estate.

### **Reserve**

The Reserve portfolio is for people who want more. They're looking for more ways to express themselves with the distinctive look of Baldwin, and they find value in a company with 70 years of experience and a proven commitment to greater quality. Far beyond just a lock in a box, Reserve opens the door to a customizable world flowing with inspiration. And it's all ready to go whenever inspiration strikes, because it's ready to ship in just 7 days. Reserve is the best of both worlds: accessibility and artful appeal. Make a lasting impression with Reserve.

### **Prestige Series**

Prestige Series provides our customers with affordable luxury. It is our most accessible collection available in retail stores across the nation and a way to bring the legendary excellence of Baldwin into more homes and more hands. With the Prestige Series, first-time homeowners instantly create an atmosphere of confidence from the moment someone knocks on their door.

With three distinctly Baldwin portfolios—premium Prestige Series, handcrafted Reserve and our solid brass, crown jewel, Estate—there's a way for everyone and every home to “own it” with the best of Baldwin.

# ESTATE FINISHES

## TIER 1



## TIER 1

## TIER 2



## TIER 2

### DISTRESSED FINISHES:

Not all hardware is available Distressed. The rugged tumbling process would damage some components. In cases where distressing is not possible, the equivalent non-distressed finish will be provided.

412 = 112

402 = 102

452 = 152 Antique Nickel with Matte lacquer (151 has gloss lacquer)

Hardware NOT available distressed includes:

- > All mortise locks, cylinders, latches, strikes
- > Certain levers & handleset trim (noted on those pages)

### \*HAND-RELIEVED FINISH VARIANCES:

(050, 060, 112, 151, 412, 452)

Product finishes which are HAND RELIEVED may vary in luster, hue and appearance as a result of handcrafted variances in the final finishing step.

### \*\*LIVING FINISH

(031, 033, 102, 402)

Product finishes which are LIVING will vary over time. They are not eligible for finish warranty.

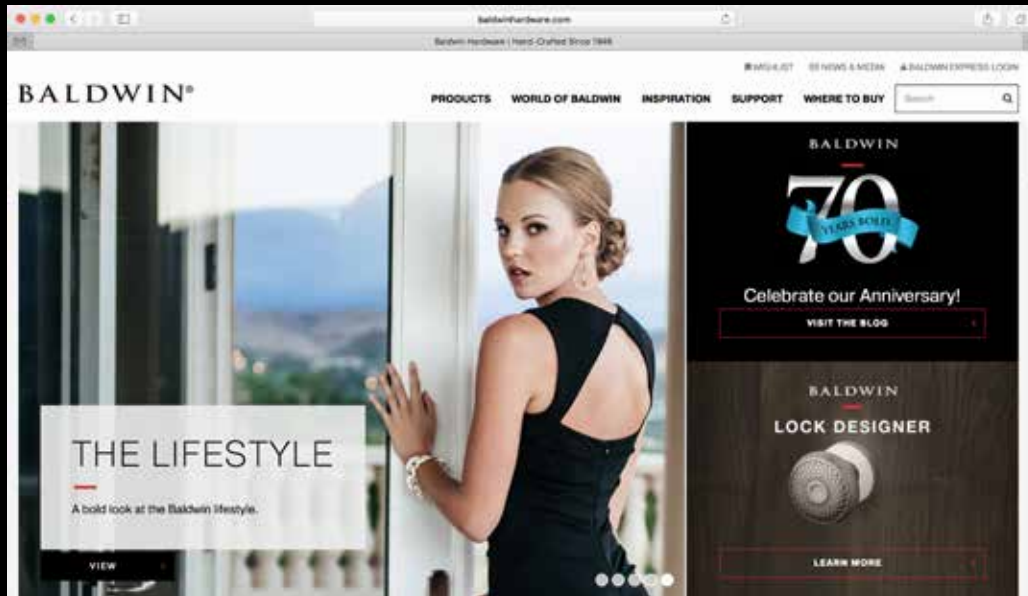
Baldwin #	US #	BHMA #
030 =	3	605
031 =	3NL	-
040 =	4	606
050 =	5	609
060 =	6	608
102 =	10B	613
150 =	15	619
190 =	19	622
260 =	26	625
264 =	26D	626

# CREATE YOUR OWN SIGNATURE STYLE WITH THE BALDWIN LOCK DESIGNER

YOU CAN MIX AND MATCH ESTATE OR RESERVE DOOR  
HARDWARE IN EVERY SINGLE FINISH WE OFFER!



DOWNLOAD THE BALDWIN LOCK DESIGNER FOR IPAD AND ANDROID



BALDWINHARDWARE.COM



**BALDWIN ESTATE, GENERAL HARDWARE & CABINET HARDWARE.**

Unless otherwise communicated, all products in these categories will ship from the Baldwin distribution center within 3 to 4 weeks from date of order entry. Need something quicker? Our Quick Ship program will ship within 5 days from date of order entry.

**BALDWIN MULTI-POINT TRIMS**

Unless otherwise communicated, all products in this category will ship from the Baldwin distribution center within 4 to 5 weeks from date of order entry.

**BALDWIN KEYLESS ENTRY**

All products in this category will ship from the Baldwin distribution center within 3 to 4 weeks from date of order entry.

**FREIGHT AND EXPEDITED FREIGHT:**

Orders over \$1000 receive freight prepaid by Baldwin. Baldwin will utilize standard ground transportation unless otherwise indicated. In addition to ground freight Baldwin offers 3 types of expedited freight at the customer's cost. Next Day, Two Day & 3 Day. To request expedited freight just indicate which of the 3 options you prefer. On orders under \$1000 and orders that request expedited freight, the cost of shipping will appear on your invoice.

**HOW DO I REQUEST SAME DAY SHIPMENTS?**

To receive same day shipment on any of your orders please verify that the items are in stock. This can be done by checking Baldwin Express or calling Baldwin Customer Service. If the item is available, contact Baldwin Customer Service to make us aware that your order is being sent and that it needs to be shipped that day. Orders must be received by Baldwin prior to 10:30 a.m. EST and should be sent to the attention of the Customer Service Representative that you notified. Please note "ship today" on the order and if you want to use expedited freight. i.e. – Next day, Two day, etc.

**MINIMUM ORDER SIZE:**

Due to cost of order processing and fulfillment the minimum dollar amount for an order placed directly with Baldwin Customer Service is \$250. For orders less than \$250 net customers may either place the order through Baldwin Express, increase the size of the order to at least \$250, or purchase the items through Baldwin's wholesale distribution partners.

# TABLE OF CONTENTS

## How To Order & Installation

Essentials	4
Part Numbers & Process	5
How to Order & Installation Examples	6

## Pre-configured Knob & Lever Sets

Knobs	13
Levers	14
Tubular Keyed Knobs	15
Tubular Keyed Levers	16

## A La Carte Knobs & Levers

Knobs	19
Levers	26
Rosettes	36
Latches	47
Interior Knob & Lever UL Kits	47
Strikes	49
Spindles	50
Mortise Bolts	52
Turn Piece	53
Turn Knobs	54
ER Trim	55
Spare Parts & Installation Tools	56
Communicating Door Kits	58

## Trims for European Mortise Locks

How to order	61, 181
Levers	62
Rosettes	64
Cylinder Collars	65
Cylinders	66
Spare Parts	66

## Tubular Handlesets

Specification	69
Sectional	71
3/4 escutcheon	76
3/4 I Full Escutcheon	80
Two point Locking	85
Accessories	200

## Mortise Lock Trims, Locks, & Cylinders

Specifications	89, 134
Trims	91
Thick door kits	132
Entrance Functions Locks	136
Interior Functions Locks	136
Grade 1 Locks	138
Deadlocks	142
Electrified Locks	143
Strikes	144
Armored Fronts	145

Lock Trim Thickness Index	146
Cylinders - C Keyway Table	147
Cylinder Accessories	148
Cylinder Trim	149
Key Blanks	149
Replacement Parts	153
Tools & Accessories	154

## Sliding Door Locks

Pocket Doors	165
--------------	-----

## Multi-Point

How to Order	165
Configurations	169

## Rim Locks and Cremone Bolts

Standards & Specifications	189
Passage, Privacy, and Entrance	190
Special Functions	191
Trim & Accessories	192
Cremone Bolts	194

## Keyless Entry

Introduction & Specifications	197
-------------------------------	-----

## Deadbolts

Specifications	201
UL Kits	201
Deadbolt Accessories	206

## General Hardware

Letter Box Plates	209
Door Knockers	210
Bell Buttons	211
Door Guards & Surface Bolts	213
Flush Rings & Edge Pulls	215
Casement Fasteners	217
Costume Hooks	218
Flush Bolts & Strikes	219
Kick Plates	220
Push Plates and Pulls	221
Door Stops	227
Mortise Hinges	229
Switchplates	235
Cabinet Hardware	237

## Index

Numerical	248
Alphabetical	255

ALPHABETICAL INDEX	PAGE
85365 Ashton®	85
6570 Atlanta	107
6552 Baltimore	100
6554 Barclay	120
85327 Bethpage® Sectional	73
85337 Bethpage®	79
6942 Bismark	115
85360 Blakely	78
6555 Boston	96
85354 Boulder ¾	81
M512 Boulder ¾ (Mortise)	128
6402 Boulder	81
M514 Boulder (Mortise)	129
6420 Bristol (Tubular)	75
6963 Bristol	120
6939 Bristol Lever	120
6520 Bristol Sectional	91
85380 Buckingham®	78
85305 Canterbury	71
6563 Chicago	104

NUMERICAL INDEX	PAGE
6401 Devonshire™	80
6402 Boulder	81
6403 Cody®	82
6420 Bristol (Tubular)	75
6426 Kensington (Tubular)	80
6502	122
6503	103
6505	99
6506	123
6508	106
6513	107
6514	124
6520 Bristol Sectional	91
6526 Kensington ¾	92
6540 San Diego®	93
6541 San Francisco	94
6542 Tremont	95
6543 Lancaster	96
6544 Hamilton	97
6546 Wilmington	102
6547 Nashville	98
6548 Detroit	103
6549 Williamsburg	99
6550 Georgetown™	99
6551 Reading	106
6552 Baltimore	100
6553	122
6554 Barclay	120
6555 Boston	96
6557 Richmond®	101
6560 Lexington	102
6562 New York	103
6563 Chicago	104
6565 Monterey	105
6567 Trenton	106
6570 Atlanta	107

85352 Cody® ¾	81
M502 Cody® ¾ (Mortise)	126
6403 Cody®	81
M504 Cody® (Mortise)	127
6571 Concord	108
6931 Dallas	114
6940 Denver	114
6548 Detroit	103
6401 Devonshire™	80
6952 Edinburgh	119
6515 Edinburgh Sectional	89
6516 Edinburgh (Oval)	89
6962 Fenwick®	119
6550 Georgetown™	99
85375 Glennon™	77
6544 Hamilton	97
6973 Houston	123
6950 Kensington	118
6526 Kensington ¾	92
6426 Kensington (Tubular)	80

6571 Concord	108
6573 Springfield	109
6602	106
6603	93
6604	108
6605	95
6606	101
6608	103
6614	104
6619	107
6621	102
6622	97
6624	118
6627	120
6628	99
6634	105
6635	96
6640	91
6641	116
6642	105
6643	92
6690	125
6709	125
6714	116
6763	93
6767	100
6774	101
6789	119
6790	118
6791	97
6793	98
6794	108
6795	102
6796	95
6797	96
6798	109

6966 Lakeshore™	119
6974 Lakeshore™ Lever	119
6922 Lakewood®	111
6543 Lancaster	96
85345 Landon®	86
6560 Lexington	102
85315 Logan	72
85335 Logan	72
85320 Madison	71
85350 Manchester	76
6976 Minneapolis	124
6938 Mobile	
6565 Monterey	105
85370 Nantucket™	76
6547 Nashville	98
6562 New York	103
6944 Pasadena	116
6551 Reading	106
85391 Palm Springs™ ¾	83
6920 Palm Springs™ ¾ (Mortise)	111

6915 Santa Monica	112
6920 Palm Springs™ ¾ (Mortise)	111
6921 Palm Springs™ (Mortise)	112
6922 Lakewood®	113
6931 Dallas	114
6933 Versailles	117
6938 Mobile	
6939 Bristol Lever	120
6940 Denver	114
6942 Bismark	115
6944 Pasadena	116
6948 Victoria™	117
6950 Kensington	119
6951 Stanford™	97
6952 Edinburgh	119
6953	114
6956	117
6961 Westminster	118
6962 Fenwick®	119
6963 Bristol	120
6966 Lakeshore™	122
6973 Houston	123
6974 Lakeshore™ Lever	122
6975	94
6976 Minneapolis	124
6980	113
6986	115
6988	114
6991	120
6993	117
6999 Richland®	125
85305 Canterbury	71
85315 Logan	72
85320 Madison	71

85390 Palm Springs™	74
6921 Palm Springs™ (Mortise)	112
6999 Richland®	125
6557 Richmond®	101
6540 San Diego®	93
6541 San Francisco	94
6915 Santa Monica	112
85386 Soho®	73
85387 Soho® ¾	85
85385 Soho® Two-Point	85
6573 Springfield	109
6951 Stanford™	97
85355 Stonegate	77
6542 Tremont	95
6567 Trenton	106
6933 Versailles	117
6948 Victoria™	117
6961 Westminster	118
6549 Williamsburg	99
6546 Wilmington	102

85327 Bethpage® Sectional	73
85335 Logan	72
85337 Bethpage®	79
85345 Landon®	86
85350 Manchester	76
85352 Cody® ¾	82
85354 Boulder ¾	81
85355 Stonegate	78
85360 Blakely	78
85365 Ashton®	85
85370 Nantucket™	76
85375 Glennon™	77
85380 Buckingham®	78
85385 Soho® Two-Point	86
85386 Soho®	73
85387 Soho® ¾	85
85390 Palm Springs™	74
85391 Palm Springs™ ¾	83
M502 Cody® ¾ (Mortise)	126
M504 Cody® (Mortise)	127
M512 Boulder ¾ (Mortise)	128
M514 Boulder (Mortise)	129
M516 Soho® (Mortise)	130

PRE-CONFIGURED SETS, KNOBS AND LEVERS  
A LA CARTE KNOBS AND LEVERS  
TRIMS FOR EUROPEAN LOCKS  
TUBULAR HANDLESETS  
MORTISE LOCKS  
SLIDING DOOR LOCKS  
MULTI-POINT  
RIM LOCKS CREMONA BOLTS  
KEYLESS ENTRY  
DEADBOLT SETS  
GENERAL HARDWARE

**Lock Types:**

1) Mortise

2) Tubular



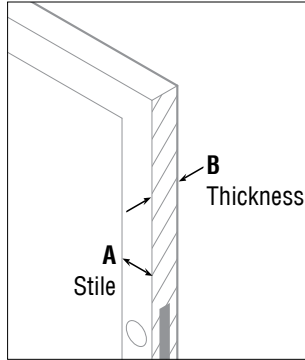
**Door Types:**

- > Wood, Fiberglass & Hollow Metal
- > Hollow Fiberglass & Metal doors do NOT allow for any mortise lock installation

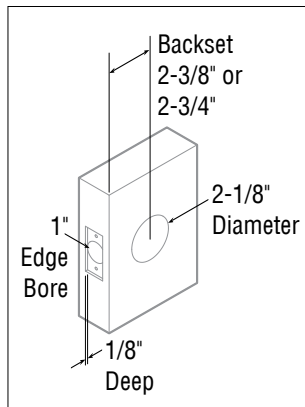
**Door Prep:**

- > 1) Pre-drilled for Mortise
- > 2) Pre-drilled for 2.125" bore hole Tubular
- > 3) Un-prepped (blank door) – ideal for tubular latch or mortise installations  
 (Estate Passage – 0.625" hole for spindle; Estate Privacy – prep varies, see Installation Instructions)
- > Adaptors can retrofit most Estate Tubular hardware to 2.125" bored doors, but only large rosettes cover bore hole
- > Tubular locks CANNOT be used on Mortise-prepped doors
- > Mortise locks can rarely be used on 2.125" bore Tubular-prepped doors

**DOOR THICKNESS & STILE**



**DOOR BACKSET**



**Door Thickness:**

- > Industry Standards – 1.75" (Exteriors) & 1.375" (Interiors)
- > Doors  $\geq 2 \frac{1}{2}$ " Thick limits hardware options – Contact Customer Service
- > Exterior Doors  $< 1 \frac{3}{4}$ " Thick limits hardware options
- > Escutcheon thickness determines cylinder & spindle lengths needed (see Inside Back Cover)

**Door Stile Width:**

- > Narrow Stiles (4" or less) limit backset & escutcheon trim options
- > 3" or less Stile severely limits Mortise Lock, Function & Escutcheon options

**Door Backset:**

Measurement from edge of door (where it latches) to centerline of lock or doorknob

**Door Handing:**

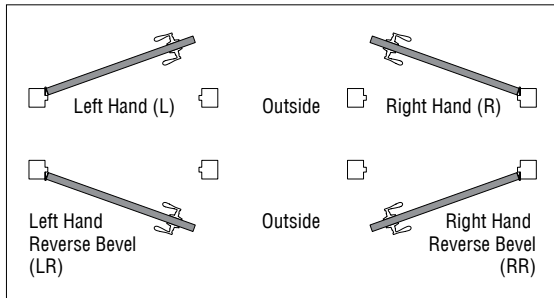
- > Certain Lock Types require correct handing (Exterior Levers, Mortise Boxes, Half Dummy Levers)
- > HAND OF DOOR ALWAYS DETERMINED FROM OUTSIDE

**A few rules to follow:**

- > The outside of an exterior door is the street or entrance side
- > The outside of a room door is the hall side
- > The outside of a single communicating door is the side from which the hinges are not visible when the door is closed
- > The outside of a closet door is the room or hall side

Right Handed: hinges on RIGHT – door swings IN  
 Left Handed: hinges on LEFT – door swings IN  
 Right Hand Reverse Bevel: hinges on RIGHT – door swings OUT  
 Left Hand Reverse Bevel: hinges on LEFT – door swings OUT

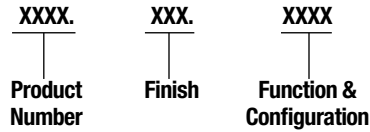
**DOOR HANDING**





**BALDWIN PART NUMBERS ARE MADE UP OF THREE PARTS SEPARATED BY PERIODS:**

- 1) Product Number communicates Style
- 2) 3-digit Finish
- 3) Suffix communicates Function/Configuration



## ORDERING ESTATE KNOBS & LEVERS, A LA CARTE

### 1) SELECT KNOB/LEVER

ex: 5132.150.MR – 5132 Lever.Satin Nickel.Minus Rose

### 2) SELECT ROSE (or ESCUTCHEON)

ex: 5148.150 – Traditional Rose.Satin Nickel

### 3) SELECT LATCH (or MORTISE LOCK)

ex: 5513.150.P – 2.375" Tubular Latch. Satin Nickel.Privacy

### 4) ADDITIONAL HARDWARE

See following 'HOW TO ORDER' pages for other hardware that may be needed  
Eg. pre-drilled door adaptor, privacy pin extension for thicker doors, spindles, etc.

### SUFFIXES

#### KNOBS & LEVERS:

Function Code	Description
.MR	Pair of Knobs or Levers, Minus Rose
.IMR	One Knob, Minus Rose
.RMR	One Right Lever, Minus Rose
.LMR	One Left Lever, Minus Rose
.PASS	One Preconfigured Passage Set
.PRIV	One Preconfigured Privacy Set
.FD	One Preconfigured Full Dummy Set
.IDM	One Preconfigured Half Dummy Knob Set
.RDM	One Preconfigured Right Hand Half Dummy Lever Set
.LDM	One Preconfigured Left Hand Half Dummy Lever Set

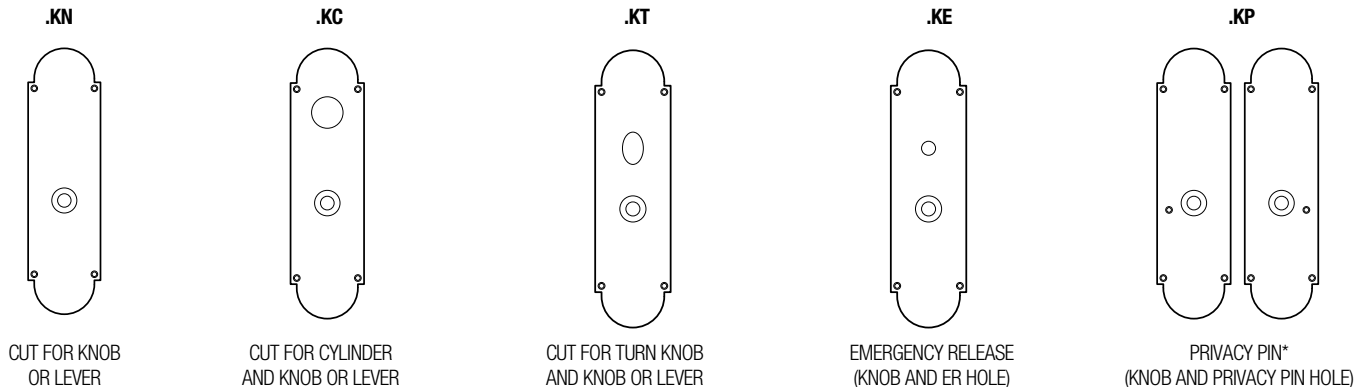
#### LATCHES:

Function Code	Description
No suffix	Passage Latch
.P	Privacy Latch

#### ROSETTES:

Function Code	Description
No Suffix	Pair, Active
.FD	Pair, Dummy
.I	Half Pair, Active
.IDM	Half Pair, Dummy
.PS	Pair, Passage Active
.PV	Pair, Privacy Active
.IPS	Half Pair, Passage Active
.IPV	Half Pair, Privacy Active

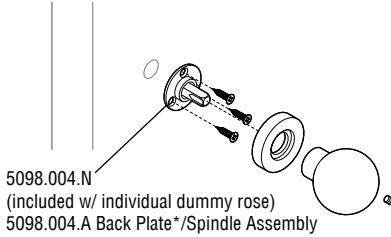
**ESCUTCHEON PLATE CONFIGURATIONS** – ordered in half pairs except for privacy (.KP) cut-outs which are ordered in pairs.



\*NOT AVAILABLE ON ALL ESCUTCHEONS

# HOW TO ORDER & INSTALLATION DUMMY

## Half Dummy w/ Rose



### HOW TO ORDER

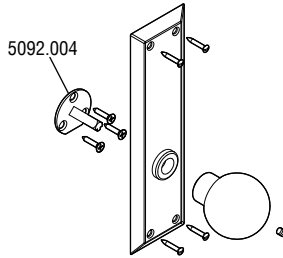
WHAT YOU NEED:	PART # EXAMPLE	PAGE #
Knob – Individual Minus Rose (.IMR)	5000.150.IMR	
Handed Lever – Right Minus Rose (.RMR or .LMR)	5100.150.RMR	
Rose – Individual (.IDM) (Rose .IDM includes 5098.004.N Half Dummy back plate)	5002.150.IDM	

### INSTALLATION

- Position 5098.004.A\* Back Plate with dummy spindle at desired location and relieve the door surface to allow flush seating of the back plate. (NOTE: the word "TOP" is marked on the back plate for exact alignment.)
- Install screws into back plate.
- Thread rose onto back plate and install trim.

**NOTE:** Nos. 5084/5094 Rigid Mounting Trim is available for thru bolt Dummy Mount applications.  
\*For exposed screw mounted roses, appropriate half dummy spindle is supplied standard.

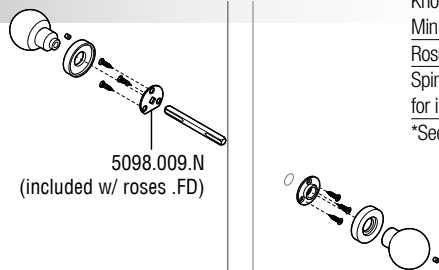
## Half Dummy (Escutcheon Plate)



WHAT YOU NEED:	PART # EXAMPLE	PAGE #
Knob – Individual Minus Rose (.IMR)	5000.150.IMR	
Handed Lever – Right Minus Rose (.RMR or .LMR)	5100.150.RMR	
Escutcheon Plate – .KN	6797.150.KN	
Half Dummy Spindle*	5092.004	50

\*See Spindles section for length needed

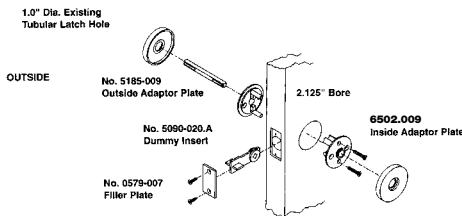
## Full Dummy



WHAT YOU NEED:	PART # EXAMPLE	PAGE #
Knob or Lever – pair Minus Rose (.MR)	5000.150.MR	
Rose – pair Full Dummy (.FD)	5048.150.FD	
Spindle* – 3.5" standard for install w/ roses	0510.004	49

\*See Spindles Chart for length needed on thicker doors

## Full Dummy w/ Pre-Drilled Cut-Out

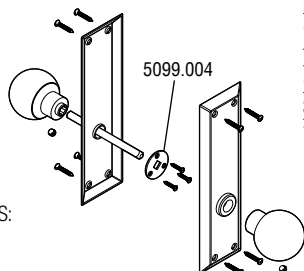


WHAT YOU NEED:	PART # EXAMPLE	PAGE #
For 2.125" Pre-drilled Doors add: Adaptor Dummy Insert & Filler Plate (plugs latch hole)	6502.009	47
Spindle* – 3.5" standard for install w/roses	0510.004	49

\*See Spindles Chart for length needed on thicker doors

- Install 5090.020 Dummy Insert into tubular latch hole.
- Position 6502.009 Adaptor (with threaded studs attached) on outside of door and 6502.009 Adaptor on inside face of door.
- Install screws through the inside Adaptor and thread screws into studs.
- Install 0579.007 Filler Plate on edge of door.
- Thread roses onto 6502.009 Adaptor Set.
- Insert spindle and install trim.

## Full Dummy (Escutcheon Plate)



WHAT YOU NEED:	PART # EXAMPLE	PAGE #
Knob or Lever – pair Minus Rose (.MR)	5000.150.MR	
(2) Escutcheon Plates – Cut for Knob/Lever (.KN)	6797.150.KN	
(2) Dummy Trim Plates	5099.004	50
Spindle* – 4"	0511.004	49

\*See Spindles Chart for length needed

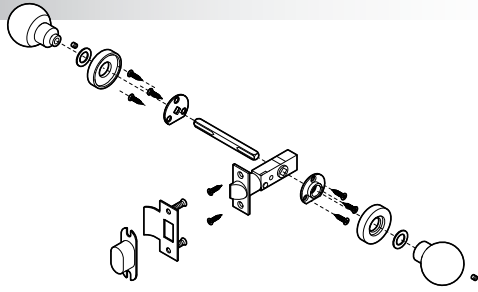
- Drill a .625" (16mm) hole completely through the door.
- Insert spindle through drilled hole with the V grooves down and toward the bottom hinge.
- Slide 5099.004\* Back Plates over spindle. (NOTE: the word "TOP" is marked on the back plate for exact alignment.)
- Install screws into back plate.
- Thread escutcheon onto back plates and install trim.

**NOTE:** The 5090.020.A Dummy Insert is available with 6502.009 Adaptor Set for full dummy applications on pre-drilled doors.  
Refer to Components in this catalog section.  
\*For full dummy escutcheons, 5099.004 Back Plate is supplied standard.

ASSUMED FOR EXAMPLES:  
Backset – 2.375"  
Door thickness – 1.375"

NOTE: for PRE-DRILLED DOORS, Rose/Escutcheon must be at least 2.625" diameter/wide to cover bore hole

## Passage w/ Rose Installation – Standard Latch



### HOW TO ORDER

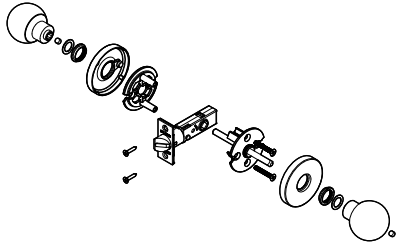
WHAT YOU NEED:	PART # EXAMPLE	PAGE #
Knob or Lever – pair Minus Rose (.MR)	5000.150.MR	
Passage Rose – pair (no suffix)	5048.150	
Knob Latch (or Lever Latch)	5510.150 (5513.150)	46

### INSTALLATION

- A.** Thread supplied roses onto 5097.009 Back Plates.
- B.** Insert 5095.000 Graphite Spacer over spindle and into rose.
- C.** Slide knob or lever trim completely onto the spindle from both sides of the door.  
(NOTE: A minimal amount of “play” is required between the knob/lever and the rose to prevent the trim from binding.)
- D.** Secure steel set screws with .25” Socket Wrench.

**IMPORTANT:** Set screw is coated with a special epoxy (resin) to prohibit the screw from loosening over time.

## Passage Pre-drilled Door



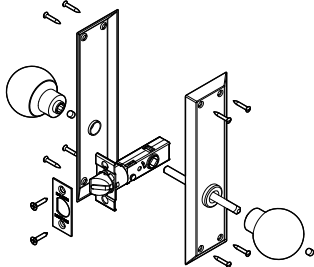
WHAT YOU NEED:	PART # EXAMPLE	PAGE #
For 2.125” Pre-drilled Doors add: Adaptor	6502.009	47

\*See Spindles section for length needed

**NOTE:** For 1.75” or thicker Doors, 3.5” spindle included with Latch will not be long enough.

- A.** Install latch and strike per template instructions.
- B.** Position 6502.009 Adaptor (with threaded studs attached) on outside of door and 6502.009 Adaptor on inside face of door.
- C.** Loosely install screws through the inside plate and thread screws into studs.
- D.** Insert alignment bushings into Adaptor and then insert spindle through the alignment bushings and fully tighten screws. Remove alignment bushings and discard.
- E.** Thread roses onto 6502.009 Adaptor Set.
- F.** Install trim.

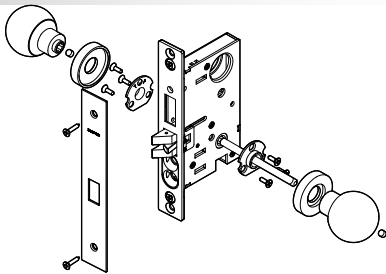
## Passage (Standard Latch & Escutcheon)



WHAT YOU NEED:	PART # EXAMPLE	PAGE #
Knob or Lever – pair Minus Rose (.MR)	5000.150.MR	
Escutcheon Plates – Cut for Knob/Lever (.KN)	6797.150.KN (X2)	
Knob Latch	5510.150	46
Lever Latch	5513.150	46
Spindle* – 4”	0511.004	49

\*See Spindles section for length needed

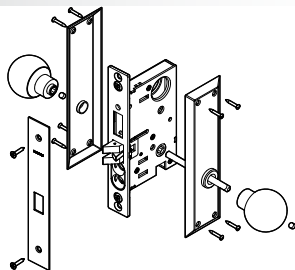
## Passage (Mortise Lock)



WHAT YOU NEED:	PART # EXAMPLE	PAGE #
Knob or Lever – pair Minus Rose (.MR)	5000.150.MR	
Passage Rose – pair (no suffix)	5017.150	
Mortise Lock, Small Case – passage, 2.5” Backset	8530.150	130
Spindle* – 3.5” standard for install w/ roses	0510.004	49

\*See Spindles section for length needed on thicker doors

## Passage (Mortise Lock & Escutcheon)



WHAT YOU NEED:	PART # EXAMPLE	PAGE #
Knob or Lever – pair Minus Rose (.MR)	5000.150.MR	
(2) Escutcheon Plates – Cut for Knob/Lever (.KN)	6797.150.KN	
Mortise Lock, Small Case – passage, 2.5” Backset	8350.150.R	130
Spindle* – 4”	0511.004	49

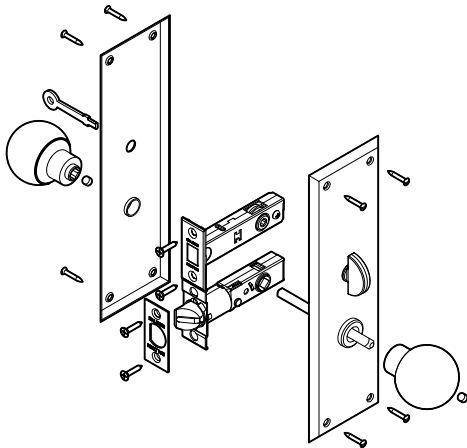
\*See Spindles section for length needed.

3.5” Spindle included with 8500 series mortise lock.

# HOW TO ORDER & INSTALLATION

## PRIVACY

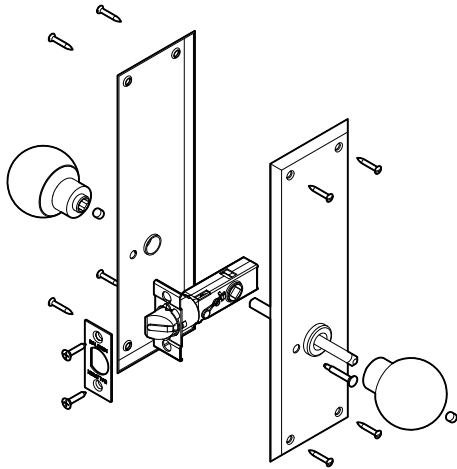
### Passage Knob w/Mortise Bolt & Escutcheon Plate



#### HOW TO ORDER

WHAT YOU NEED	PART # EXAMPLE	PAGE #
Knob or Lever – pair Minus Rose (.MR)	5000.150.MR	
Escutcheon plate –		
Outside: Cut for Emergency (KE)	6797.150.KE	
Inside: Cut for Turn Knob (KT)	6797.150.KT	
Knob Latch (or Lever Latch)	5510.150 (5513.150)	46
Spindle* – 4"	0511.004	49
Mortise Bolt	0418.150.LTP (Less Turn Piece)	51
Combination Strike (Handed)	5528.150.L	48

### Privacy with Pin in Escutcheon NOT AVAILABLE FOR ALL ESCUTCHEONS



#### HOW TO ORDER

WHAT YOU NEED	PART # EXAMPLE	PAGE #
Knob or Lever – pair Minus Rose (.MR)	5000.150.MR	
Escutcheons (ordered as pair)		
KP cut for Privacy	6797.150.KP	
Knob Latch (or Lever Latch)	5510.150.P (5513.150.P)	46
Pin Extender (knob sets only) – Doors thicker than 1.625	5199.000	47
Swivel – 4"	0522.004	49

ASSUMED FOR EXAMPLES:  
Backset – 2.375"  
Door thickness – 1.375"

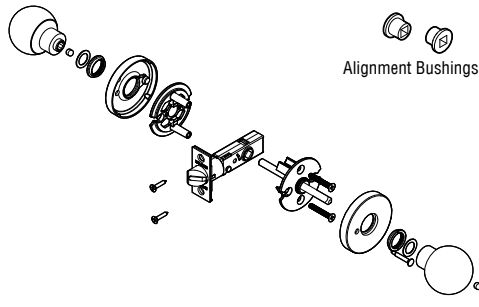
NOTE: for PRE-DRILLED DOORS, Rose/Escutcheon must be at least 2.625" diameter/wide to cover bore hole

\*See Spindles Chart for length needed

# BALDWIN



**Privacy Pre-drilled Door**  
Privacy with Pin in Rose NOT AVAILABLE FOR ALL ROSES



**HOW TO ORDER**

WHAT YOU NEED:	PART #	EXAMPLE	PAGE #
Knob or Lever – pair Minus Rose (.MR)	5000.150	MR	
Privacy Rose** – pair (no suffix)	5149.150		
Knob Latch	5510.150.P +	46 + 47	
	6502.009		
	Adaptor*		
Lever Latch	5513.150.P +		
	6502.009		
	Adaptor*		
Pin Extender –	5199.000		47

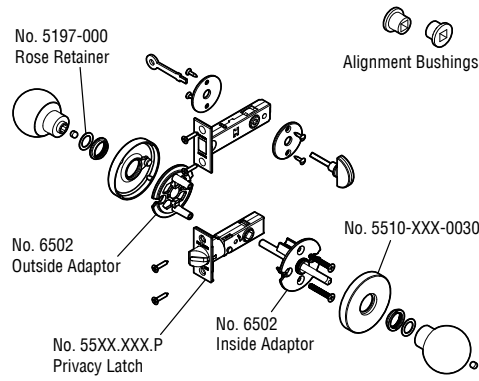
\*\*Adaptors are required on doors with 2 1/8" face-bore.  
**NOTE:** For 1.75" or thicker Doors, 3.5" spindle included with Latch will not be long enough, see Spindles Chart for length needed

**NOTE:** Not all Roses available with Privacy Function – see Roses Section

**INSTALLATION**

- A.** Install latch and strike per template instructions.
- B.** Position 6502.009 Adaptor (with threaded studs attached) on outside of door and 6502.009 Adaptor on inside face of door.
- C.** Loosely install screws through the inside plate and thread screws into studs.
- D.** Insert spindle (raised tab should be facing on the outside of door) and then insert alignment bushings into Adaptor. Fully tighten screws. Remove alignment bushings and discard.
- E.** To attach roses to Adaptors, place rose over 6502.009 Adaptor and secure by threading 5197.000 brass Rose Retainer onto the Adaptor. Tighten with 5198.000 steel spanner tool provided.
- F.** Thread 5510.XXX.0030 or 5513.XXX.0030 Privacy Button into latch. (See page 47 for further details regarding the privacy button.)
- G.** Install trim.

**Passage Knob w/Mortise Bolt**  
w/ 2.25" or smaller roses only



**HOW TO ORDER**

WHAT YOU NEED:	PART #	EXAMPLE	PAGE #
Knob or Lever – pair Minus Rose (.MR)	5000.150	MR	
Passage Rose* – pair (no suffix)	5002.150		
Knob Latch:	5510.150 +	46 + 47	
For Pre-drilled Doors	6502.009	Adaptor	
Lever Latch:	5513.150		
For Pre-drilled Doors	+ 6502.009	Adaptor	
Mortise Bolt	0418.150.LTP	(Less Turn Piece)	51
Turn Piece	6750.150		52
Emergency Release Trim	0416.150		54

**NOTE:** For 1.75" or thicker Doors, 3.5" spindle included with Latch will not be long enough, see Spindles Chart for length needed

**INSTALLATION**

- Mortise Bolt Installation**
- When installing Mortise bolts, ALWAYS check width of Emergency Release Trim before drilling face bore. Standard bore is .625" (16mm) completely through door. Emergency Release Trim 0406 and 0407 require a .5" (13mm) bore on outside face of door; a .625" (16mm) bore on inside face of door.
- IMPORTANT:** When Emergency Release Trim is used, the turn piece spindle must be cut to extend no farther than halfway through the bolt.
- Tubular Latch/Mortise Bolt Installation**
- When installing Mortise bolts with tubular latches, ALWAYS ensure that face plates of both mechanisms have a minimum of .5" (13mm) clearance between face plates [2.75" (70mm) minimum distance between center of bolts] for proper strike installation. If mortise bolt and latch/face plates are installed against each other (as illustrated), use 5528 Strike illustrated above, and on page 48.

**CAUTION:** WHEN ROSES OF 2.625" DIAMETER ARE USED WITH THIS STRIKE, TURN PIECES NOS. 6728, 6732, 6733, 6734, 6751, and 6762 CANNOT BE USED DUE TO CLEARANCE RESTRICTIONS.

**NOTE:** 5528 strike is designed with a curved lip. Please specify hand of door when ordering. Hand of strike based on latch bolt being installed below the mortise bolt. Tubular latches and mortise bolts may be used in conjunction with escutcheons. Use of 5528 Strike is required to replace normally furnished strikes due to clearance restrictions.

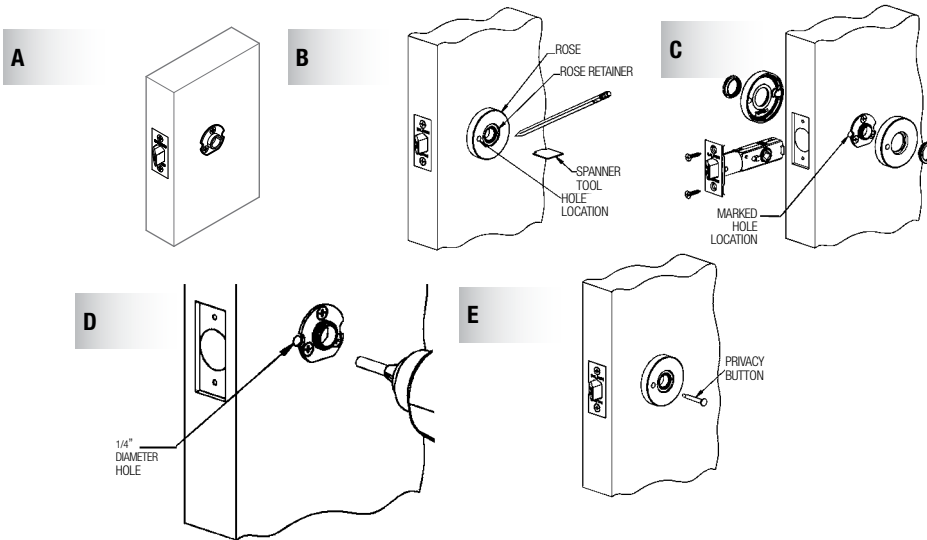
\*See Spindles Chart for length needed

# HOW TO ORDER & INSTALLATION

## PRIVACY

### 2" Privacy Rose Installation 5097 Backplate

### INSTALLATION



**A.** After completing the latch and backplate installation, a hole for the privacy button needs to be drilled.

The first step is to remove the alignment Bushings and spindle used for the backplate installation process.

**B.** Attach the roses to the backplates using the rose retainers and tighten with the supplied spanner tool.

Use a pencil to mark the privacy hole location on each side of the door.

**C.** To avoid damage, remove both roses and the latch before drilling the privacy holes.

**D.** Drill a 1/4" diameter hole through both sides of the door.

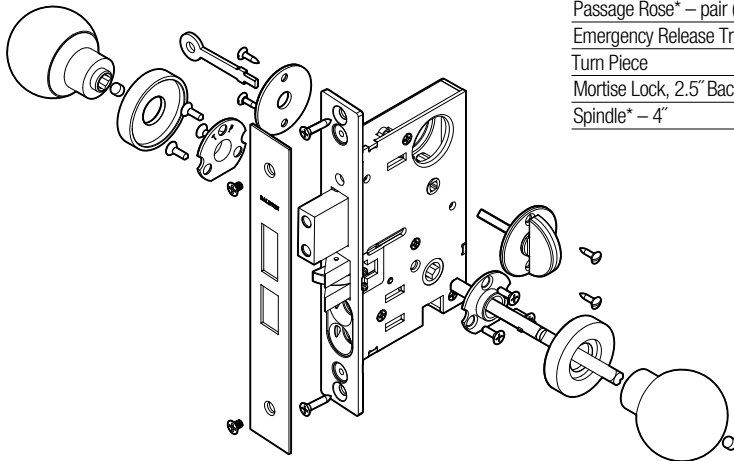
Caution: To assure proper hole location drill from each side of the door and not from one side only.

**E.** Re-install the latch and re-attach both roses.

On the inside of the room, thread the privacy button into the latch and install the knobs or levers.

### Mortise Lock w/ Emergency Release Trim

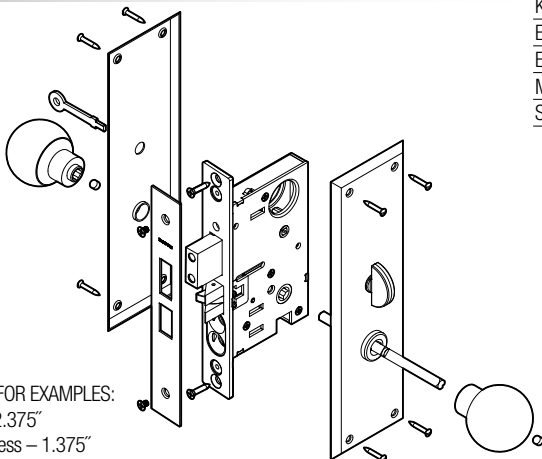
### HOW TO ORDER



WHAT YOU NEED	PART # EXAMPLE	PAGE #
Knob or Lever – pair Minus Rose (.MR)	5000.150.MR	
Passage Rose* – pair (no suffix)	5002.150	
Emergency Release Trim –	0404.150	
Turn Piece	6756.150	
Mortise Lock, 2.5" Backset (Handled)	6315.150.L	126
Spindle* – 4"	0511.004	49

### Mortise Lock w/ Escutcheon Plate

### HOW TO ORDER



WHAT YOU NEED	PART # EXAMPLE	PAGE #
Knob or Lever – pair Minus Rose (.MR)	5000.150.MR	
Escutcheon Plate, Exterior	6797.150.KE	
Escutcheon Plate, Interior	6797.150.KT	
Mortise Lock, 2.5" Backset	6315.150.R	126
Spindle* – 4"	0511.004	49

ASSUMED FOR EXAMPLES:  
Backset – 2.375"  
Door thickness – 1.375"

NOTE: for PRE-DRILLED DOORS, Rose/Escutcheon must be at least 2.625" diameter/wide to cover bore hole

\*See Spindles Chart for length needed

# BALDWIN

# HOW TO ORDER & INSTALLATION ENTRANCE & MORTISE LOCK SETS

## STEP 1

**PICK YOUR HANDLESET TRIM, W/ KNOB OR LEVER: (SEE PAGE 91 – 131)**

## STEP 2

**PICK YOUR MORTISE BOX**

	Suffix*	Minus Strike*
Right hand	.R	.RDT
Left hand	.L	.LDT
Right hand Reverse bevel	.RR	.RRDT
Left hand Reverse bevel	.LR	.LRDT
Right hand Lever Strength	.RLS	.RLSDT
Left hand Lever Strength	.LLS	.LLSDT
Right hand Reverse bevel Lever Strength	.RRLS	.RRLSDT
Left hand Reverse bevel Lever Strength	.LRLS	.LRLSDT
Right hand Reverse bevel Lever Strength with 1" Front	.RRB1	—

Entrance Function Mortise Locks	031, 033, 034, 040, 050 060, 102, 112 150, 151, 152 190, 260, 264	003 055 056
Lock with strike	\$345	\$365
Lock without strike	315	330

Backset	Door Thickness	Function	Mortise Box	HANDLESET X KNOB		HANDLESET X LEVER		KNOB X KNOB	LEVER X LEVER
				Handing	Part Number	Handing	Part Number	Part Number	Part Number
2.75"	1.75" and up	Residential Entrance	6020	R	6020.xxx.R	RLS	6020.xxx.RLS	6001.xxx.R	6001.xxx.RLS
				L	6020.xxx.L	LLS	6020.xxx.LLS	6001.xxx.L	6001.xxx.LLS
				RR	6020.xxx.RR	RRLS	6020.xxx.RRLS	6001.xxx.RR	6001.xxx.RRLS
				LR	6020.xxx.LR	LRLS	6020.xxx.LRLS	6001.xxx.LR	6001.xxx.LRLS
2.75"	1.75" and up	Residential Entrance Emergency Egress	6021	R	6021.xxx.R	RLS	6021.xxx.RLS	6075.xxx.R	6075.xxx.RLS
				L	6021.xxx.L	LLS	6021.xxx.LLS	6075.xxx.L	6075.xxx.LLS
				RR	6021.xxx.RR	RRLS	6021.xxx.RRLS	6075.xxx.RR	6075.xxx.RRLS
				LR	6021.xxx.LR	LRLS	6021.xxx.LRLS	6075.xxx.LR	6075.xxx.LRLS
2.75"	1.75" and up	Entrance Back-to-Back	6025	-	-	-	-	-	
2.5"	1.375 / 1.75 and up	Residential Entrance	6320	R	6320.xxx.R	RLS	6320.xxx.RLS	6301.xxx.R	6301.xxx.RLS
				L	6320.xxx.L	LLS	6320.xxx.LLS	6301.xxx.L	6301.xxx.LLS
				RR	6320.xxx.RR	RRLS	6320.xxx.RRLS	6301.xxx.RR	6301.xxx.RRLS
				LR	6320.xxx.LR	LRLS	6320.xxx.LRLS	6301.xxx.LR	6301.xxx.LRLS
2.5"	1.375/1.75 and up	Residential Entrance Emergency Egress	6321	R	6321.xxx.R	RLS	6321.xxx.RLS	6375.xxx.R	6375.xxx.RLS
				L	6321.xxx.L	LLS	6321.xxx.LLS	6375.xxx.L	6375.xxx.LLS
				RR	6321.xxx.RR	RRLS	6321.xxx.RRLS	6375.xxx.RR	6375.xxx.RRLS
				LR	6321.xxx.LR	LRLS	6321.xxx.LRLS	6375.xxx.LR	6375.xxx.LRLS

## STEP 3

**PICK YOUR CYLINDER (SEE INSIDE FLAP FOR CYLINDER TABLE)**

**IF YOUR DOOR IS NOT 1.75" THICK, ALSO REQUIRED:**

## STEP 4

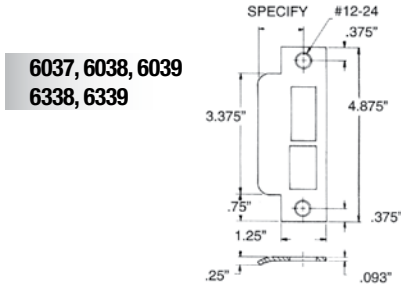
**SPINDLE (SEE INSIDE FLAP FOR CHART)**

## STEP 5

**THICK DOOR KIT (DOORS OVER 1.75" AND UP TO 2.25" THICK, SEE PAGE 132)**

## STEP 6

**EXTENDED LIP STRIKE**



Item #	Function	031, 033, 034, 040, 050 060, 102, 112 150, 151, 152 190, 260, 264	003 055 056
6037.xxx.XXXX	2.75" backset latch, deadbolt, aux latch		
6038.xxx.XXXX	2.75" backset latch only		
6039.xxx.XXXX	2.75" backset latch, deadbolt	\$65	\$70
6338.xxx.XXXX	1.5", 2", 2.5" backset latch only		
6339.xxx.XXXX	1.5", 2", 2.5" backset latch, deadbolt		

.XXXX indicates Extended Lip to Center size = .R158, .L158, .R178, .L178, .R214, .L214, .R300,

**Lip to Center length determined by the following formula:**  
 Door thickness ÷ 2 + .375" (10mm) = Lip to Center length  
 Round to closest size

- 6037, 6038, 6039, 6338, 6339.xxx – EXTENDED LIP STRIKES (HANDED)**
- > Use with locks installed on special door/frame conditions
  - > Supplied with a curved lip only
  - > ALWAYS SPECIFY HAND OF DOOR AND REQUIRED LENGTH
  - > Note: Reverse bevel doors use opposite hand for strike selection (ie. Right hand reverse bevel use left hand strike.)
  - > Lip to Center lengths:
    - .R158 or .L158 – 1.625" (41mm)
    - .R178 or .L178 – 1.875" (48mm)
    - .R214 or .L214 – 2.25" (57mm)
    - .R300 or .L300 – 3" (76mm)

**PRE-CONFIGURED SETS  
KNOBS & LEVERS**



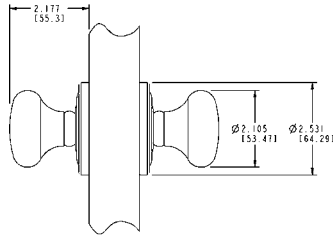


# PRE-CONFIGURED SETS

KNOBS

## 5015 Classic Knob w/ 5048 Rose

Passage, Privacy & Dummy

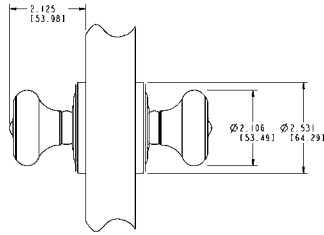


Item #	Description	Wt.	030, 031, 102 112,	
			150, 260	003, 055
5015.xxx.FD	Full Dummy	1.9	\$130	\$160
5015.xxx.IDM	Half Dummy	1.0	65	80
5015.xxx.PASS	Passage: 2 3/8" backset	2.5	160	190
5015.xxx.PRIV	Privacy: 2 3/8" backset			

· Other finishes and roses available a la carte.  
· PASS and PRIV functions ship with full lip strike.

## 5020 Colonial Knob w/ 5048 Rose

Passage, Privacy & Dummy

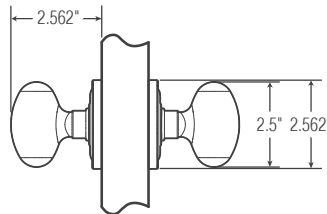


Item #	Description	Wt.	030, 031, 102 112,	
			150, 260	003, 055
5020.xxx.FD	Full Dummy	2.0	\$130	\$160
5020.xxx.IDM	Half Dummy	1.0	65	80
5020.xxx.PASS	Passage: 2 3/8" backset	2.6	160	190
5020.xxx.PRIV	Privacy: 2 3/8" backset			

· Other finishes and roses available a la carte.  
· PASS and PRIV functions ship with full lip strike.

## 5025 Egg Knob w/ 5048 Rose

Passage, Privacy & Dummy

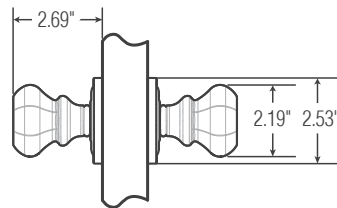


Item #	Description	Wt.	030, 031, 102 112,	
			150, 260	003, 055
5025.xxx.FD	Full Dummy	2.8	\$130	\$160
5025.xxx.IDM	Half Dummy	1.6	65	80
5025.xxx.PASS	Passage: 2 3/8" backset	3.4	160	190
5025.xxx.PRIV	Privacy: 2 3/8" backset			

· Other finishes and roses available a la carte.  
· PASS and PRIV functions ship with full lip strike.

## 5080 Fillmore Knob w/ 5048 Rose

Passage, Privacy & Dummy

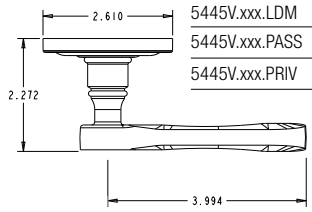


Item #	Description	Wt.	030, 102,	
			112, 140, 150, 260	
5080.xxx.FD	Full Dummy	2.5	\$130	
5080.xxx.IDM	Half Dummy	1.3	65	
5080.xxx.PASS	Passage: 2 3/8" backset	3.1	160	
5080.xxx.PRIV	Privacy: 2 3/8" backset			

· Other finishes and roses available a la carte.  
· PASS and PRIV functions ship with full lip strike.

# LEVERS PRE-CONFIGURED SETS

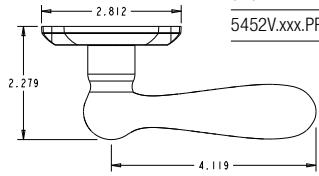
## 5445V Classic Lever w/ 5048 Rose Passage, Privacy & Dummy



Item #	Description	Wt.	030, 031, 102 112, 150, 260	003, 055
5445V.xxx.FD	Full Dummy	1.5	\$130	\$160
5445V.xxx.RDM	RIGHT Hand Half Dummy	1.1	65	80
5445V.xxx.LDM	LEFT Hand Half Dummy			
5445V.xxx.PASS	Passage: 2 3/8" backset	2.1	160	190
5445V.xxx.PRIV	Privacy: 2 3/8" backset			

• Other finishes and roses available a la carte.  
• PASS and PRIV functions ship with full lip strike.

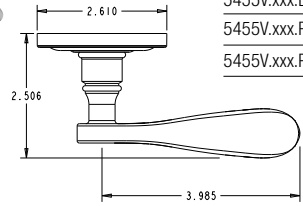
## 5452V Beavertail Lever w/ R030 Rose Passage, Privacy & Dummy



Item #	Description	Wt.	102, 112	402
5452V.xxx.FD	Full Dummy	2.4	\$130	\$160
5452V.xxx.RDM	RIGHT Hand Half Dummy	1.1	65	80
5452V.xxx.LDM	LEFT Hand Half Dummy			
5452V.xxx.PASS	Passage: 2 3/8" backset	2.9	160	190
5452V.xxx.PRIV	Privacy: 2 3/8" backset			

• Other finishes and roses available a la carte.  
• PASS and PRIV functions ship with full lip strike.

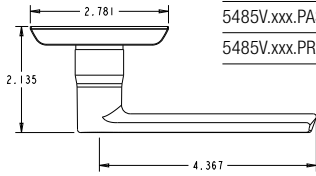
## 5455V Wave Lever w/ 5048 Rose Passage, Privacy & Dummy



Item #	Description	Wt.	030, 031, 102 112, 150, 260	003, 055
5455V.xxx.FD	Full Dummy	1.5	\$130	\$160
5455V.xxx.RDM	RIGHT Hand Half Dummy	0.8	65	80
5455V.xxx.LDM	LEFT Hand Half Dummy			
5455V.xxx.PASS	Passage: 2 3/8" backset	2.1	160	190
5455V.xxx.PRIV	Privacy: 2 3/8" backset			

• Other finishes and roses available a la carte.  
• PASS and PRIV functions ship with full lip strike.

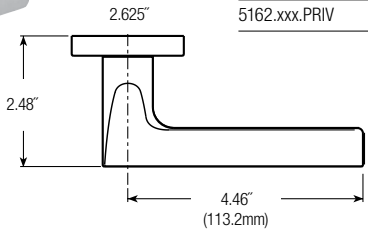
## 5485V Soho Lever w/ R026 Rose Passage, Privacy & Dummy



Item #	Description	Wt.	102, 150, 260	055, 056
5485V.xxx.FD	Full Dummy	1.8	\$130	\$160
5485V.xxx.RDM	RIGHT Hand Half Dummy	1.0	65	80
5485V.xxx.LDM	LEFT Hand Half Dummy			
5485V.xxx.PASS	Passage: 2 3/8" backset	2.3	160	190
5485V.xxx.PRIV	Privacy: 2 3/8" backset			

• Other finishes and roses available a la carte.  
• PASS and PRIV functions ship with full lip strike.

## 5162 Lever w/ R017 Rose Passage, Privacy & Dummy

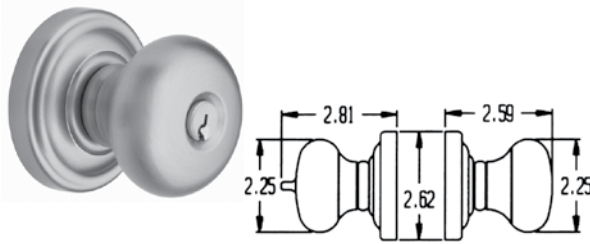


Item #	Description	Wt.	102, 150, 260	055, 056
5162.xxx.FD	Full Dummy	2.2	\$150	\$180
5162.xxx.RDM	RIGHT Hand Half Dummy	1.1	75	90
5162.xxx.LDM	LEFT Hand Half Dummy			
5162.xxx.PASS	Passage: 2 3/8" backset	2.8	180	210
5162.xxx.PRIV	Privacy: 2 3/8" backset			

• Other finishes and roses available a la carte.  
• PASS and PRIV functions ship with full lip strike.

# KNOBS TUBULAR KEYED ENTRY

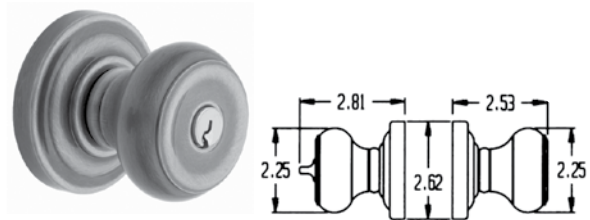
## Classic Knob w/ Classic Rose



Item #	Description	Wt.	031, 033 034, 040		003, 055	
			050, 060, 102 112, 150, 151 190, 260, 264	003, 055 056, 402 412, 452		
5205.xxx.ENTR	Emergency Exit	3.1	\$220	\$250		
5206.xxx.ENTR	Emergency Exit: 1 7/8" to 2 1/4" doors					
5205.xxx.FD	Full Dummy	1.9	190	220		
5206.xxx.FD	Full Dummy: 1 7/8" to 2 1/4" doors					
5208.xxx.ENTR	Standard	3.1	220	250		
5209.xxx.ENTR	Standard: 1 7/8" to 2 1/4" doors					

**NOTE:** Split finish available, please contact customer service for special order instructions.

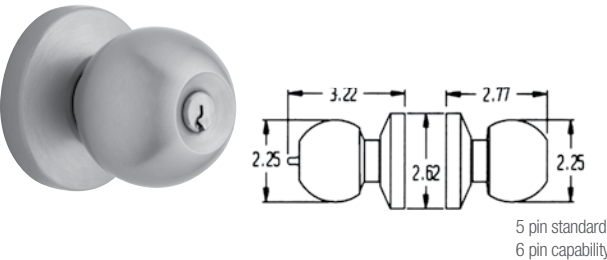
## Colonial Knob w/ Classic Rose



Item #	Description	Wt.	031, 033 034, 040		003, 055	
			050, 060, 102 112, 150, 151 190, 260, 264	003, 055 056, 402 412, 452		
5210.xxx.ENTR	Emergency Exit	3.1	\$220	\$250		
5211.xxx.ENTR	Emergency Exit: 1 7/8" to 2 1/4" doors					
5210.xxx.FD	Full Dummy	2.1	190	220		
5211.xxx.FD	Full Dummy: 1 7/8" to 2 1/4" doors					
5213.xxx.ENTR	Standard	3.1	220	250		
5214.xxx.ENTR	Standard: 1 7/8" to 2 1/4" doors					

**NOTE:** Split finish available, please contact customer service for special order instructions.

## Modern Knob w/ Contemporary Rose

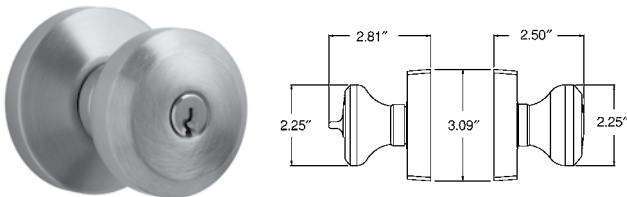


5 pin standard  
6 pin capability

Item #	Description	Wt.	031, 033 034, 040		003, 055	
			050, 060, 102 112, 150, 151 190, 260, 264	003, 055 056, 402 412, 452		
5215.xxx.ENTR	Emergency Exit	3.4	\$220	\$250		
5216.xxx.ENTR	Emergency Exit: 1 7/8" to 2 1/4" doors					
5215.xxx.FD	Full Dummy	2.5	190	220		
5216.xxx.FD	Full Dummy: 1 7/8" to 2 1/4" doors					
5218.xxx.ENTR	Standard	3.4	220	250		
5219.xxx.ENTR	Standard: 1 7/8" to 2 1/4" doors					

**NOTE:** Split finish available, please contact customer service for special order instructions.

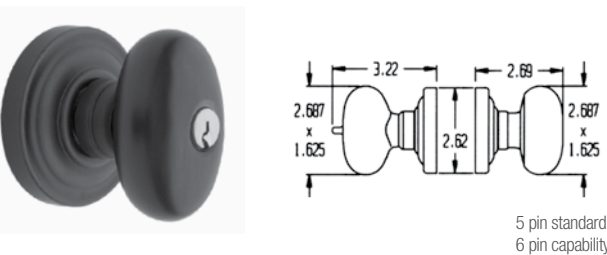
## Contemporary Knob w/ Contemporary Rose



Item #	Description	Wt.	031, 033 034, 040		003, 055	
			050, 060, 102 112, 150, 151 190, 260, 264	003, 055 056, 402 412, 452		
5275.xxx.ENTR	Emergency Exit	4.2	\$220	\$250		
5276.xxx.ENTR	Emergency Exit: 1 7/8" to 2 1/4" doors					
5275.xxx.FD	Full Dummy	3.9	190	220		
5276.xxx.FD	Full Dummy: 1 7/8" to 2 1/4" doors					
5278.xxx.ENTR	Standard	4.2	220	250		
5279.xxx.ENTR	Standard: 1 7/8" to 2 1/4" doors					

**NOTE:** Split finish available, please contact customer service for special order instructions.

## Egg Knob w/ Classic Rose



5 pin standard  
6 pin capability

Item #	Description	Wt.	031, 033 034, 040		003, 055	
			050, 060, 102 112, 150, 151 190, 260, 264	003, 055 056, 402 412, 452		
5225.xxx.ENTR	Emergency Exit	3.6	\$220	\$250		
5226.xxx.ENTR	Emergency Exit: 1 7/8" to 2 1/4" doors					
5225.xxx.FD	Full Dummy	3.0	190	220		
5226.xxx.FD	Full Dummy: 1 7/8" to 2 1/4" doors					
5228.xxx.ENTR	Standard	3.6	220	250		
5229.xxx.ENTR	Standard: 1 7/8" to 2 1/4" doors					

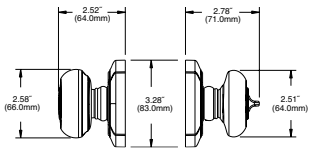
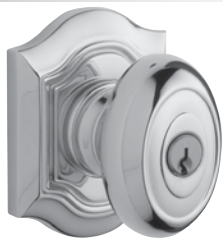
**NOTE:** Split finish available, please contact customer service for special order instructions.

**Emergency Exit:** The Knob or lever will retract the bolt while the exterior remains locked.

**Standard Exit:** The knob or lever must be unlocked prior to exit.

# KNOBS & LEVERS TUBULAR KEYED ENTRY

## Bethpage Knob

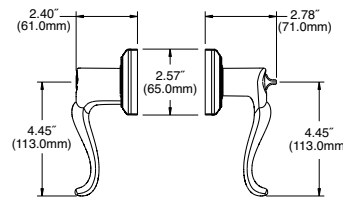
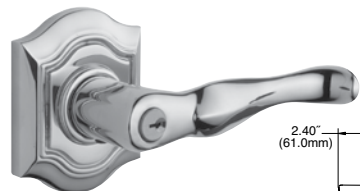


5 pin standard  
6 pin capability

Item #	Description	Wt.	031, 033 034, 040 050, 060, 102 112, 150, 151 190, 260, 264		003, 055 056, 402 412, 452	
5237.xxx.ENTR	Emergency Exit	3.6	\$220		\$250	
5238.xxx.ENTR	Emergency Exit: 1 7/8" to 2 1/4" doors					
5237.xxx.FD	Full Dummy	3.0	190		220	
5238.xxx.FD	Full Dummy: 1 7/8" to 2 1/4" doors					
5239.xxx.ENTR	Standard	3.6				
5241.xxx.ENTR	Standard: 1 7/8" to 2 1/4" doors	3.0	220		250	

**NOTE:** Split finish available, please contact customer service for special order instructions.

## Bethpage Lever w/ Bethpage Rose

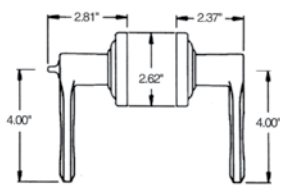


5 pin standard  
6 pin capability

Item #	Description	Wt.	031, 033 034, 040 050, 060, 102 112, 150, 151 190, 260, 264		003, 055 056, 402 412, 452	
5237.xxx.RENT	<b>RIGHT</b> Hand Emergency Exit	3.9				
5237.xxx.LENT	<b>LEFT</b> Hand Emergency Exit					
5238.xxx.RENT	<b>RIGHT</b> Hand Emergency Exit: 1 7/8" to 2 1/4" doors	3.5	\$220		\$250	
5238.xxx.LENT	<b>LEFT</b> Hand Emergency Exit: 1 7/8" to 2 1/4" doors					
5237.xxx.LRFD	Full Dummy	3.0	190		220	
5238.xxx.LRFD	Full Dummy: 1 7/8" to 2 1/4" doors					
5239.xxx.RENT	<b>RIGHT</b> Hand Standard	3.9				
5239.xxx.LENT	<b>LEFT</b> Hand Standard					
5241.xxx.RENT	<b>RIGHT</b> Hand Standard: 1 7/8" to 2 1/4" doors	3.5	220		250	
5241.xxx.LENT	<b>LEFT</b> Hand Standard: 1 7/8" to 2 1/4" doors					

**NOTE:** Split finish available, please contact customer service for special order instructions.

## Classic Lever w/ Classic Rose



5 pin standard  
6 pin capability

Item #	Description	Wt.	031, 033 034, 040 050, 060, 102 112, 150, 151 190, 260, 264		003, 055 056, 402 412, 452	
5245.xxx.RENT	<b>RIGHT</b> Hand Emergency Exit	2.2				
5245.xxx.LENT	<b>LEFT</b> Hand Emergency Exit					
5246.xxx.RENT	<b>RIGHT</b> Hand Emergency Exit: 1 7/8" to 2 1/4" doors	2.2	\$220		\$250	
5246.xxx.LENT	<b>LEFT</b> Hand Emergency Exit: 1 7/8" to 2 1/4" doors					
5245.xxx.FD	Full Dummy	2.0	190		220	
5246.xxx.FD	Full Dummy: 1 7/8" to 2 1/4" doors					
5248.xxx.RENT	<b>RIGHT</b> Hand Standard	2.2				
5248.xxx.LENT	<b>LEFT</b> Hand Standard	2.0				
5249.xxx.RENT	<b>RIGHT</b> Hand Standard: 1 7/8" to 2 1/4" doors	2.2	220		250	
5249.xxx.LENT	<b>LEFT</b> Hand Standard: 1 7/8" to 2 1/4" doors					

**NOTE:** Split finish available, please contact customer service for special order instructions.

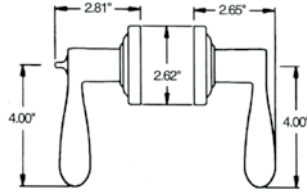
**Emergency Exit:** The Knob or lever will retract the bolt while the exterior remains locked.

**Standard Exit:** The knob or lever must be unlocked prior to exit.



# LEVERS TUBULAR KEYED ENTRY

## Wave Lever w/ Classic Rose



5 pin standard  
6 pin capability

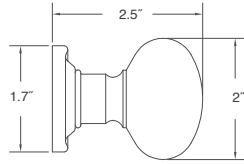
Item #	Description	Wt.	031, 033 034, 040	
			050, 060, 102 112, 150, 151 190, 260, 264	003, 055 056, 402 412, 452
5255.xxx.RENT	<b>RIGHT</b> Hand Emergency Exit			
5255.xxx.LENT	<b>LEFT</b> Hand Emergency Exit			
5256.xxx.RENT	<b>RIGHT</b> Hand Emergency Exit: 1 7/8" to 2 1/4" doors	2.8	\$220	\$250
5256.xxx.LENT	<b>LEFT</b> Hand Emergency Exit: 1 7/8" to 2 1/4" doors			
5255.xxx.FD	Full Dummy	2.0	190	220
5256.xxx.FD	Full Dummy: 1 7/8" to 2 1/4" doors			
5258.xxx.RENT	<b>RIGHT</b> Hand Standard	2.8		
5258.xxx.LENT	<b>LEFT</b> Hand Standard			
5259.xxx.RENT	<b>RIGHT</b> Hand Standard: 1 7/8" to 2 1/4" doors		220	250
5259.xxx.LENT	<b>LEFT</b> Hand Standard: 1 7/8" to 2 1/4" doors	2.8		

**NOTE:** Split finish available, please contact customer service for special order instructions.

**A LA CARTE  
KNOBS &  
LEVERS**

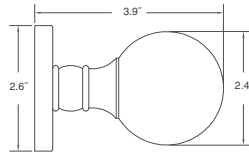


**5000 Knob**  
shown w/ 5002 Rose



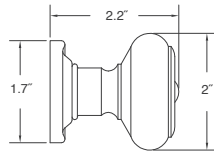
Item #	Description	Wt.	030, 031	
			033, 034, 040	003, 055
5000.xxx.MR	Minus Roses – pair	1.8	\$150	\$170
5000.xxx.IMR	Individual Minus Rose – half pair	.9	75	85
5000.xxx.MRPN	Minus Roses – pair (PINNED)	1.8	215	235

**5001 Knob**  
shown w/ 5046 Rose



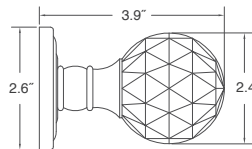
Item #	Description	Wt.	030, 150, 260	
			5001.xxx.MR	Minus Roses – pair
5001.xxx.IMR	Individual Minus Rose – half pair	1.4	75	
5001.xxx.MRPN	Minus Roses – pair (PINNED)	2.7	215	

**5005 Knob**  
shown w/ 5002 Rose



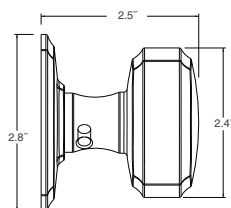
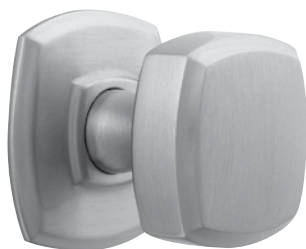
Item #	Description	Wt.	030, 031	
			033, 034, 040	003, 055
5005.xxx.MR	Minus Roses – pair	1.8	\$150	\$170
5005.xxx.IMR	Individual Minus Rose – half pair	.9	75	85
5005.xxx.MRPN	Minus Roses – pair (PINNED)	1.8	215	235

**5009 Knob – SWAROVSKI CRYSTAL**  
shown w/ 5048 Rose



Item #	Description	Wt.	030, 150, 260	
			5009.xxx.MR	Minus Roses – pair
5009.xxx.IMR	Individual Minus Rose – half pair	1.4	250	
5009.xxx.MRPN	Minus Roses – pair (PINNED)	2.8	565	

**5011 Knob**  
shown w/ 5058 Rose

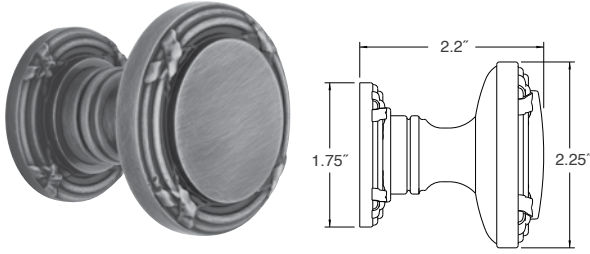


Item #	Description	Wt.	030, 031	
			033, 034, 040	003, 055
5011.xxx.MR	Minus Roses – pair	1.1	\$160	\$180
5011.xxx.IMR	Individual Minus Rose – half pair	.55	80	90
5011.xxx.MRPN	Minus Roses – pair (PINNED)	1.1	225	245

# KNOBS SOLID BRASS

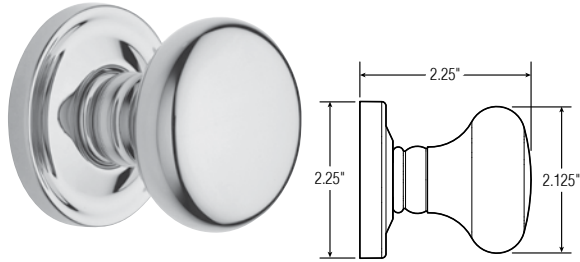
A LA CARTE KNOBS  
AND LEVERS

**5013 Knob**  
shown w/ 5016 Rose



Item #	Description	Wt.	030, 031	
			033, 034, 040	003, 055
5013.xxx.MR	Minus Roses – pair	2.1	\$150	\$170
5013.xxx.IMR	Individual Minus Rose – half pair	1.1	75	85
5013.xxx.MRPN	Minus Roses – pair (PINNED)	2.1	215	235

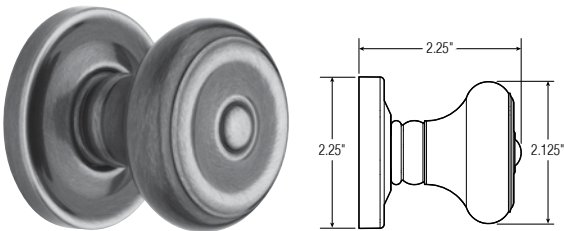
**5015 Knob**  
shown w/ 5017 Rose



Item #	Description	Wt.	030, 031	
			033, 034, 040	003, 055
5015.xxx.MR	Minus Roses – pair	1.8	\$120	\$140
5015.xxx.IMR	Individual Minus Rose – half pair	.9	60	70
5015.xxx.MRPN	Minus Roses – pair (PINNED)	1.8	185	205

*For easy ordering, select finishes and functions of pre-configured tubular sets are available on page 12.*

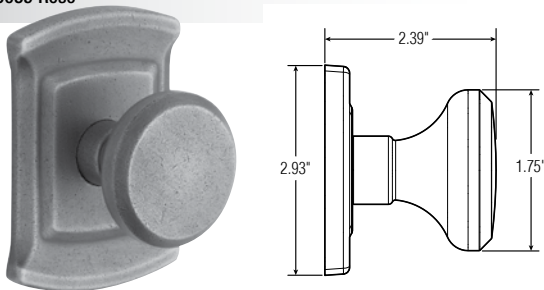
**5020 Knob**  
shown w/ 5017 Rose



Item #	Description	Wt.	030, 031	
			033, 034, 040	003, 055
5020.xxx.MR	Minus Roses – pair	1.8	\$120	\$140
5020.xxx.IMR	Individual Minus Rose – half pair	.9	60	70
5020.xxx.MRPN	Minus Roses – pair (PINNED)	1.8	185	205

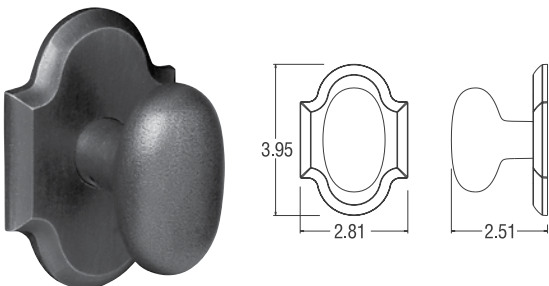
*For easy ordering, select finishes and functions of pre-configured tubular sets are available on page 12.*

**5023 Knob**  
shown w/ 5059 Rose



Item #	Description	Wt.	030, 031	
			033, 034, 040	003, 055
5023.xxx.MR	Minus Roses – pair	1.8	\$120	\$140
5023.xxx.IMR	Individual Minus Rose – half pair	.9	60	70
5023.xxx.MRPN	Minus Roses – pair (PINNED)	1.8	185	205

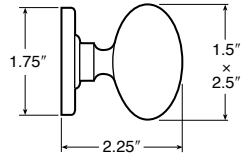
**5024 Oval Knob**  
shown w/ R030 Arch Rose



Item #	Description	Wt.	030, 031	
			033, 034, 040	003, 055
5024.xxx.MR	Minus Roses - pair	1.8	\$120	\$140
5024.xxx.IMR	Minus Roses - half pair	.9	60	70



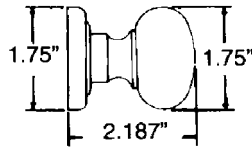
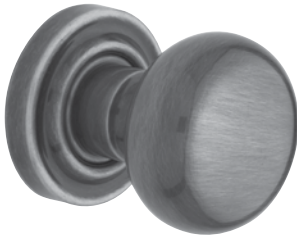
**5025 Knob**  
shown w/ 5002 Rose



Item #	Description	Wt.	030, 031		003, 055	
			033, 034, 040	050, 060, 102	112, 150, 151	190, 260, 264
5025.xxx.MR	Minus Roses – pair	1.8	\$120	\$140		
5025.xxx.IMR	Individual Minus Rose – half pair	.9	60	70		
5025.xxx.MRPN	Minus Roses – pair (PINNED)	1.8	185	205		

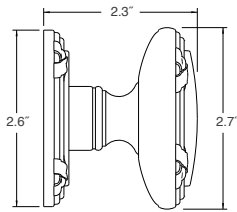
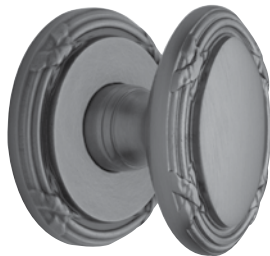
For easy ordering, select finishes and functions of pre-configured tubular sets are available on page 12.

**5030 Knob**  
shown w/ 5002 Rose



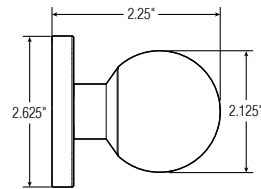
Item #	Description	Wt.	030, 031		003, 055	
			033, 034, 040	050, 060, 102	112, 150, 151	190, 260, 264
5030.xxx.MR	Minus Roses – pair	1.8	\$150	\$170		
5030.xxx.IMR	Individual Minus Rose – half pair	.9	75	85		
5030.xxx.MRPN	Minus Roses – pair (PINNED)	1.8	215	235		

**5031 Knob**  
shown w/ 5021 Rose



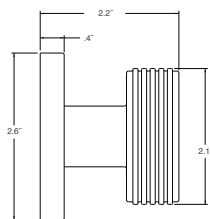
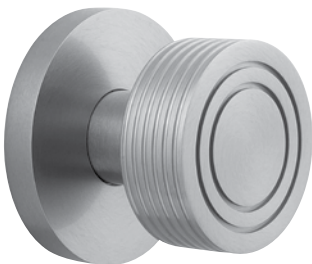
Item #	Description	Wt.	030, 031		003, 055	
			033, 034, 040	050, 060, 102	112, 150, 151	190, 260, 264
5031.xxx.MR	Minus Roses – pair	2.3	\$150	\$170		
5031.xxx.IMR	Individual Minus Rose – half pair	1.2	75	85		
5031.xxx.MRPN	Minus Roses – pair (PINNED)	2.3	215	235		

**5041 Knob**  
shown w/ 5046 Rose



Item #	Description	Wt.	030, 031		003, 055	
			033, 034, 040	050, 060, 102	112, 150, 151	190, 260, 264
5041.xxx.MR	Minus Roses – pair	2.4	\$120	\$140		
5041.xxx.IMR	Individual Minus Rose – half pair	1.2	60	70		
5041.xxx.MRPN	Minus Roses – pair (PINNED)	2.4	185	205		

**5045 Knob**  
shown w/ 5046 Rose

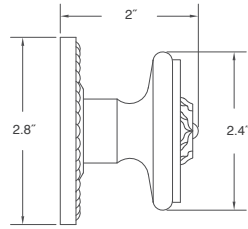


Item #	Description	Wt.	030, 031		003, 055	
			033, 034, 040	050, 060, 102	112, 150, 151	190, 260, 264
5045.xxx.MR	Minus Roses – pair	1.1	\$160	\$180		
5045.xxx.IMR	Individual Minus Rose – half pair	.55	80	90		
5045.xxx.MRPN	Minus Roses – pair (PINNED)	1.1	225	245		

# KNOBS SOLID BRASS

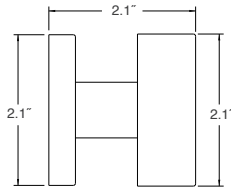
A LA CARTE KNOBS  
AND LEVERS

**5050 Knob**  
shown w/ 5053 Rose



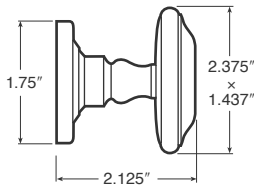
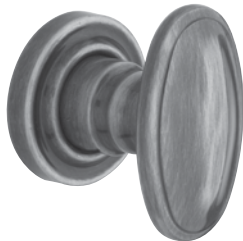
Item #	Description	Wt.	030, 031	
			033, 034, 040	003, 055
5050.xxx.MR	Minus Roses – pair	1.9	\$150	\$170
5050.xxx.IMR	Individual Minus Rose – half pair	1.0	75	85
5050.xxx.MRPN	Minus Roses – pair (PINNED)	1.9	215	235

**5055 Knob**  
shown w/ 5032 Rose



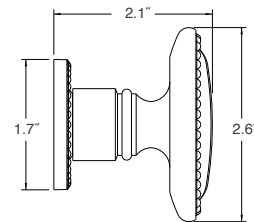
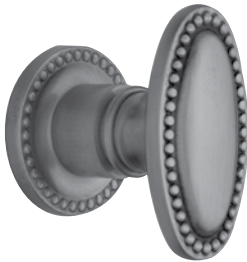
Item #	Description	Wt.	030, 031	
			033, 034, 040	003, 055
5055.xxx.MR	Minus Roses – pair	1.9	\$150	\$170
5055.xxx.IMR	Individual Minus Rose – half pair	1.0	75	85
5055.xxx.MRPN	Minus Roses – pair (PINNED)	1.9	215	235

**5057 Knob**  
shown w/ 5002 Rose



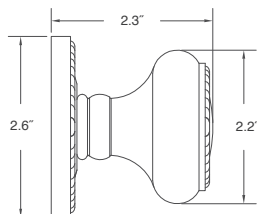
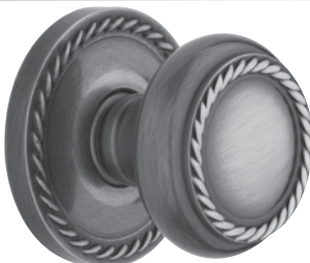
Item #	Description	Wt.	030, 031	
			033, 034, 040	003, 055
5057.xxx.MR	Minus Roses – pair	1.4	\$150	\$170
5057.xxx.IMR	Individual Minus Rose – half pair	.7	75	85
5057.xxx.MRPN	Minus Roses – pair (PINNED)	1.4	215	235

**5060 Knob**  
shown w/ 5062 Rose



Item #	Description	Wt.	030, 031	
			033, 034, 040	003, 055
5060.xxx.MR	Minus Roses – pair	1.4	\$150	\$170
5060.xxx.IMR	Individual Minus Rose – half pair	.7	75	85
5060.xxx.MRPN	Minus Roses – pair (PINNED)	1.4	215	235

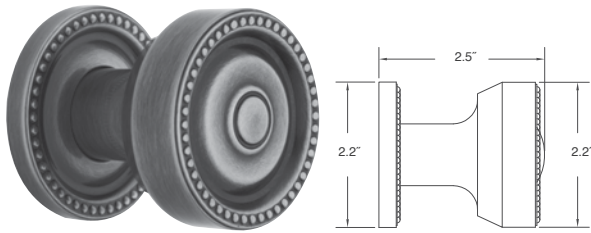
**5064 Knob**  
shown w/ 5004 Rose



Item #	Description	Wt.	030, 031	
			033, 034, 040	003, 055
5064.xxx.MR	Minus Roses – pair	1.9	\$150	\$170
5064.xxx.IMR	Individual Minus Rose – half pair	1.0	75	85
5064.xxx.MRPN	Minus Roses – pair (PINNED)	1.9	215	235

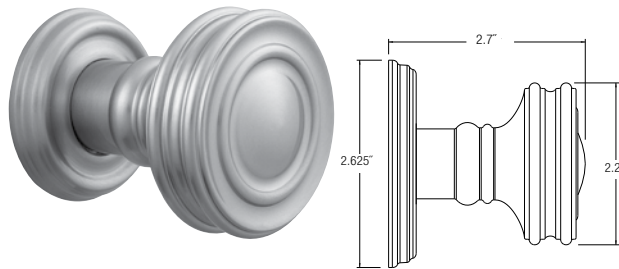


**5065 Knob**  
shown w/ 5027 Rose



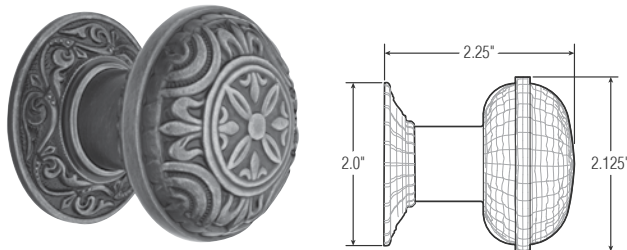
Item #	Description	Wt.	030, 031	
			033, 034, 040	003, 055
5065.xxx.MR	Minus Roses – pair	2.3	\$150	\$170
5065.xxx.IMR	Individual Minus Rose – half pair	1.2	75	85
5065.xxx.MRPN	Minus Roses – pair (PINNED)	2.3	215	235

**5066 Knob**  
shown w/ 5078 Rose



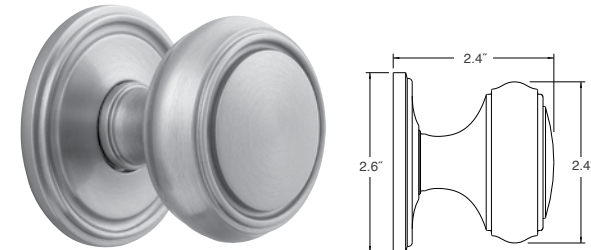
Item #	Description	Wt.	030, 031	
			033, 034, 040	003, 055
5066.xxx.MR	Minus Roses – pair	1.1	\$160	\$180
5066.xxx.IMR	Individual Minus Rose – half pair	.55	80	90
5066.xxx.MRPN	Minus Roses – pair (PINNED)	1.1	225	245

**5067 Knob**  
shown w/ 5003 Rose



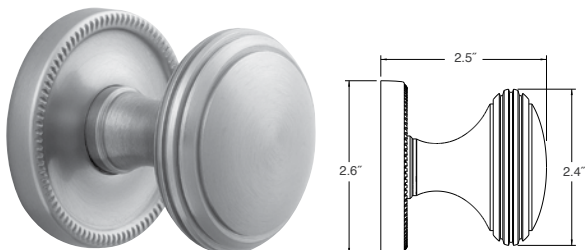
Item #	Description	Wt.	030, 031	
			033, 034, 040	003, 055
5067.xxx.MR	Minus Roses – pair	1.0	\$150	\$170
5067.xxx.IMR	Individual Minus Rose – half pair	.5	75	85
5067.xxx.MRPN	Minus Roses – pair (PINNED)	2.3	215	235

**5068 Knob**  
shown w/ 5070 Rose



Item #	Description	Wt.	030, 031	
			033, 034, 040	003, 055
5068.xxx.MR	Minus Roses – pair	1.1	\$160	\$180
5068.xxx.IMR	Individual Minus Rose – half pair	.55	80	90
5068.xxx.MRPN	Minus Roses – pair (PINNED)	2.3	225	245

**5069 Knob**  
shown w/ 5076 Rose

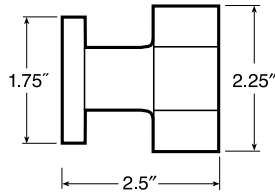
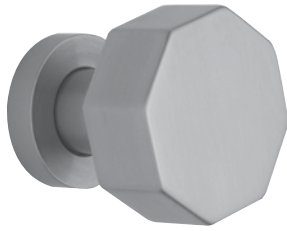


Item #	Description	Wt.	030, 031	
			033, 034, 040	003, 055
5069.xxx.MR	Minus Roses – pair	1.1	\$160	\$180
5069.xxx.IMR	Individual Minus Rose – half pair	.55	80	90
5069.xxx.MRPN	Minus Roses – pair (PINNED)	1.1	225	245

# KNOBS SOLID BRASS

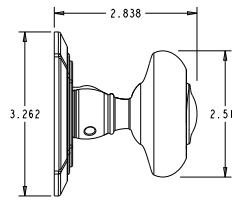
A LA CARTE KNOBS  
AND LEVERS

**5073 Knob**  
shown w/ 5006 Rose



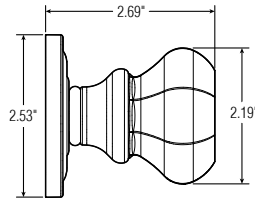
Item #	Description	Wt.	030, 031	
			033, 034, 040	003, 055
5073.xxx.MR	Minus Roses – pair	2.3	\$150	\$170
5073.xxx.IMR	Individual Minus Rose – half pair	1.2	75	85
5073.xxx.MRPN	Minus Roses – pair (PINNED)	2.3	215	235
			050, 060, 102	056, 402
			112, 150, 151	412, 452
			190, 260, 264	

**5077 Bethpage® Knob**  
shown w/ R027 Bethpage Rose



Item #	Description	Wt.	030, 031	
			033, 034, 040	003, 055
5077.xxx.MR	Minus Roses - pair	1.8	\$120	\$140
5077.xxx.IMR	Minus Roses - half pair	.4	60	70
			050, 060, 102	056, 402
			112, 150, 151	412, 452
			190, 260, 264	

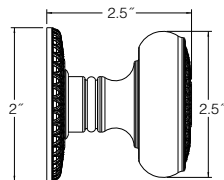
**5080 Filmore knob**  
shown w/ 5048 Rose



Item #	Description	Wt.	030, 102	
			112, 140, 150, 260	
5080.xxx.MR	Minus Roses - pair	1.2	\$120	
5080.xxx.IMR	Minus Roses - half pair	.6	60	

For easy ordering, select finishes and functions of pre-configured tubular sets are available on page 12.

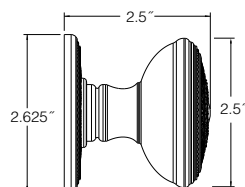
**K002 Knob**  
shown w/ R003 Rose



Item #	Description	Wt.	030, 031	
			033, 034, 040	003, 055
K002.xxx.MR	Minus Roses – pair	2.5	\$290	\$310
K002.xxx.IMR	Individual Minus Rose – half pair	1.5	145	155
			050, 060, 102	056, 402
			112, 150, 151	412, 452
			190, 260, 264	

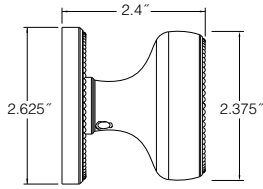
Coordinating Cabinet Hardware found on page 209

**K003 Knob**  
shown w/ 5076 Rose



Item #	Description	Wt.	030, 031	
			033, 034, 040	003, 055
K003.xxx.MR	Minus Roses – pair	2.5	\$290	\$310
K003.xxx.IMR	Individual Minus Rose – half pair	1.5	145	155
			050, 060, 102	056, 402
			112, 150, 151	412, 452
			190, 260, 264	

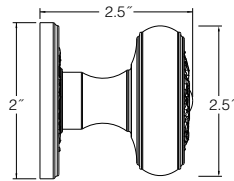
**K004 Knob**  
shown w/ R008 Rose



Item #	Description	Wt.	030, 031	
			033, 034, 040	003, 055
K004.xxx.IMR	Minus Roses – pair	2.5	\$290	\$310
K004.xxx.IMR	Individual Minus Rose – half pair	1.5	145	155

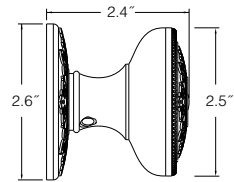
Coordinating Cabinet Hardware found on page 209

**K005 Knob**  
shown w/ R011 Rose



Item #	Description	Wt.	030, 031	
			033, 034, 040	003, 055
K005.xxx.IMR	Minus Roses – pair	2.5	\$290	\$310
K005.xxx.IMR	Individual Minus Rose – half pair	1.5	145	155

**K006 Knob**  
shown w/ R012 Rose

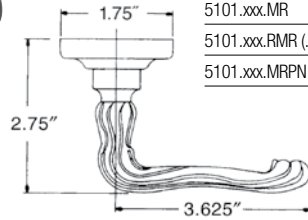


Item #	Description	Wt.	030, 031	
			033, 034, 040	003, 055
K006.xxx.IMR	Minus Roses – pair	2.5	\$290	\$310
K006.xxx.IMR	Individual Minus Rose – half pair	1.5	145	155

# LEVERS SOLID BRASS

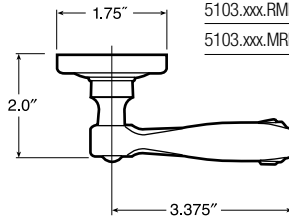
A LA CARTE KNOBS  
AND LEVERS

**5101 Lever**  
shown w/ 5002 Rose



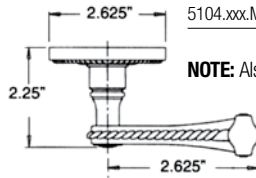
Item #	Description	Wt.	030, 031	
			033, 034, 040	003, 055
5101.xxx.MR	Minus Roses – pair	2.5	\$150	\$170
5101.xxx.RMR (LMR)	Right (Left) Minus Rose – half pair	1.3	75	85
5101.xxx.MRPN	Minus Roses – pair (PINNED)	2.5	215	235

**5103 Lever**  
shown w/ 5002 Rose



Item #	Description	Wt.	030, 031	
			033, 034, 040	003, 055
5103.xxx.MR	Minus Roses – pair	1.5	\$150	\$170
5103.xxx.RMR (LMR)	Right (Left) Minus Rose – half pair	.8	75	85
5103.xxx.MRPN	Minus Roses – pair (PINNED)	1.5	215	235

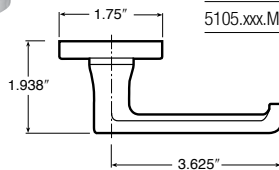
**5104 Lever**  
shown w/ 5004 Rose



Item #	Description	Wt.	030, 031	
			033, 034, 040	003, 055
5104.xxx.MR	Minus Roses – pair	1.5	\$150	\$170
5104.xxx.RMR (LMR)	Right (Left) Minus Rose – half pair	.8	75	85
5104.xxx.MRPN	Minus Roses – pair (PINNED)	1.5	215	235

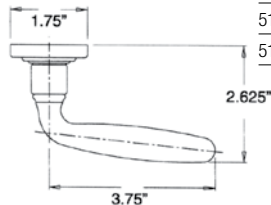
**NOTE:** Also available with 8MM square broach for European mortise locks. See page 61.

**5105 Lever**  
shown w/ 5006 Rose



Item #	Description	Wt.	030, 031	
			033, 034, 040	003, 055
5105.xxx.MR	Minus Roses – pair	1.0	\$150	\$170
5105.xxx.RMR (LMR)	Right (Left) Minus Rose – half pair	.5	75	85
5105.xxx.MRPN	Minus Roses – pair (PINNED)	1.0	215	235

**5106 Lever**  
shown w/ 5002 Rose

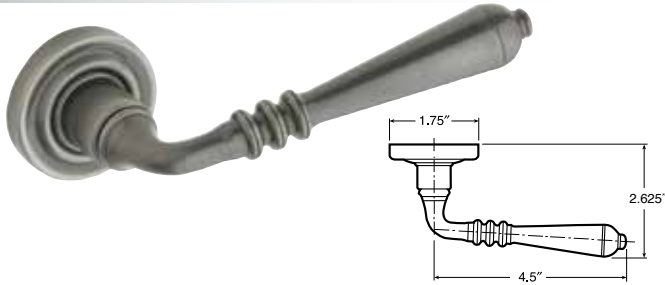


Item #	Description	Wt.	030, 031	
			033, 034, 040	003, 055
5106.xxx.MR	Minus Roses – pair	1.0	\$150	\$170
5106.xxx.RMR (LMR)	Right (Left) Minus Rose – half pair	.5	75	85
5106.xxx.MRPN	Minus Roses – pair (PINNED)	1.0	215	235

All Estate levers are ADA 4.13.9 Compliant

**BALDWIN**

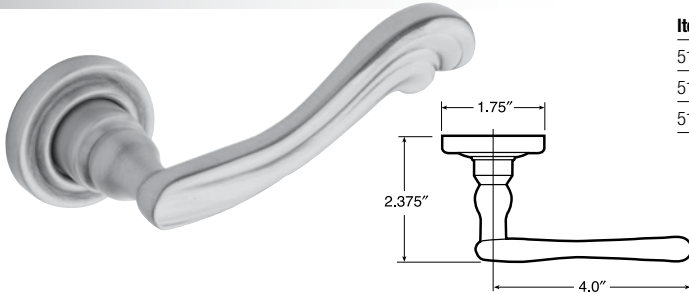
**5107 Lever**  
shown w/ 5002 Rose



Item #	Description	Wt.	030, 031	
			033, 034, 040	003, 055
5107.xxx.MR	Minus Roses – pair	1.2	\$150	\$170
5107.xxx.RMR (LMR)	Right (Left) Minus Rose – half pair	.6	75	85
5107.xxx.MRPN	Minus Roses – pair (PINNED)	1.2	215	235

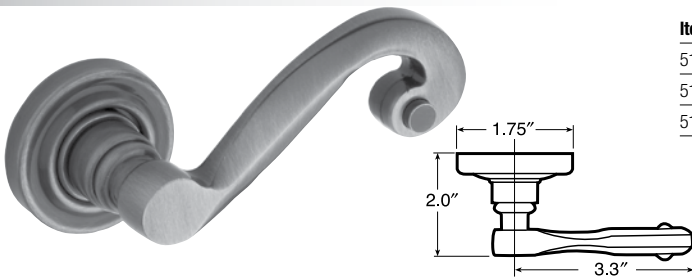
**NOTE:** Also available with 8MM square broach for European mortise locks. See page 61.

**5108 Lever**  
shown w/ 5002 Rose



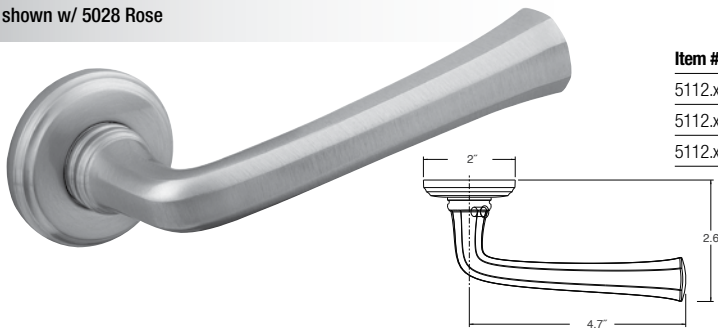
Item #	Description	Wt.	030, 031	
			033, 034, 040	003, 055
5108.xxx.MR	Minus Roses – pair	1.3	\$150	\$170
5108.xxx.RMR (LMR)	Right (Left) Minus Rose – half pair	.7	75	85
5108.xxx.MRPN	Minus Roses – pair (PINNED)	1.3	215	235

**5109 Lever**  
shown w/ 5002 Rose



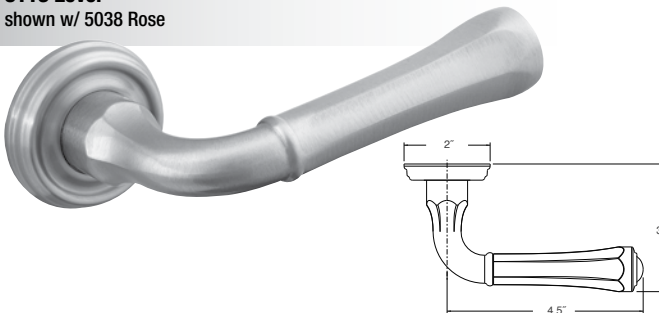
Item #	Description	Wt.	030, 031	
			033, 034, 040	003
5109.xxx.MR	Minus Roses – pair	1.3	\$150	\$170
5109.xxx.RMR (LMR)	Right (Left) Minus Rose – half pair	.7	75	85
5109.xxx.MRPN	Minus Roses – pair (PINNED)	1.3	215	235

**5112 Lever**  
shown w/ 5028 Rose



Item #	Description	Wt.	030, 031	
			033, 034, 040	003, 055
5112.xxx.MR	Minus Roses – pair	1.1	\$160	\$180
5112.xxx.RMR (LMR)	Right (Left) Minus Rose – half pair	.55	80	90
5112.xxx.MRPN	Minus Roses – pair (PINNED)	1.1	225	245

**5113 Lever**  
shown w/ 5038 Rose



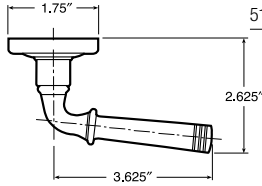
Item #	Description	Wt.	030, 031	
			033, 034, 040	003, 055
5113.xxx.MR	Minus Roses – pair	1.1	\$160	\$180
5113.xxx.RMR (LMR)	Right (Left) Minus Rose – half pair	.55	80	90
5113.xxx.MRPN	Minus Roses – pair (PINNED)	1.1	225	245



# LEVERS SOLID BRASS

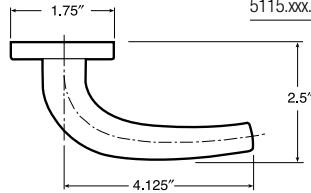
A LA CARTE KNOBS  
AND LEVERS

**5114 Lever**  
shown w/ 5002 Rose



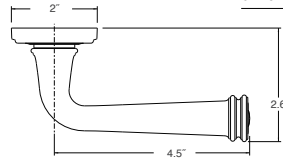
Item #	Description	Wt.	030, 031	
			033, 034, 040	003, 055
5114.xxx.MR	Minus Roses – pair	1.3	\$150	\$170
5114.xxx.RMR (LMR)	Right (Left) Minus Rose – half pair	.7	75	85
5114.xxx.MRPN	Minus Roses – pair (PINNED)	1.3	215	235

**5115 Lever**  
shown w/ 5006 Rose



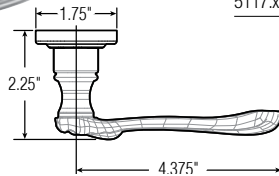
Item #	Description	Wt.	030, 031	
			033, 034, 040	003, 055
5115.xxx.MR	Minus Roses – pair	1.5	\$150	\$170
5115.xxx.RMR (LMR)	Right (Left) Minus Rose – half pair	.8	75	85
5115.xxx.MRPN	Minus Roses – pair (PINNED)	1.5	215	235

**5116 Lever**  
shown w/ 5010 Rose



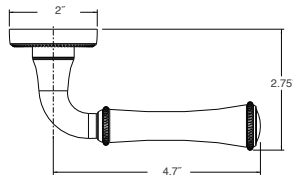
Item #	Description	Wt.	030, 031	
			033, 034, 040	003, 055
5116.xxx.MR	Minus Roses – pair	1.1	\$160	\$180
5116.xxx.RMR (LMR)	Right (Left) Minus Rose – half pair	.55	80	90
5116.xxx.MRPN	Minus Roses – pair (PINNED)	1.1	225	245

**5117 Lever**  
shown w/ 5002 Rose



Item #	Description	Wt.	030, 031	
			033, 034, 040	003, 055
5117.xxx.MR	Minus Roses – pair	1.3	\$150	\$170
5117.xxx.RMR (LMR)	Right (Left) Minus Rose – half pair	.7	75	85
5117.xxx.MRPN	Minus Roses – pair (PINNED)	1.3	215	235

**5118 Lever**  
shown w/ 5035 Rose

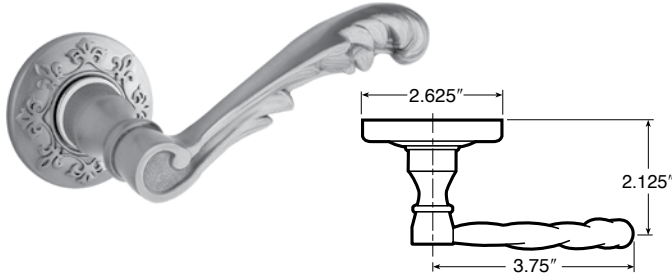


Item #	Description	Wt.	030, 031	
			033, 034, 040	003, 055
5118.xxx.MR	Minus Roses – pair	1.1	\$160	\$180
5118.xxx.RMR (LMR)	Right (Left) Minus Rose – half pair	.55	80	90
5118.xxx.MRPN	Minus Roses – pair (PINNED)	1.1	225	245



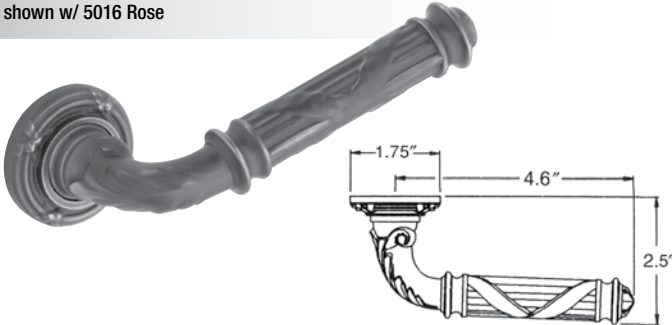
# LEVERS SOLID BRASS

**5121 Lever**  
shown w/ R011 Rose



Item #	Description	Wt.	030, 031	
			033, 034, 040	003, 055
5121.xxx.MR	Minus Roses – pair	1.0	\$150	\$170
5121.xxx.RMR (LMR)	Right (Left) Minus Rose – half pair	.5	75	85
5121.xxx.MRPN	Minus Roses – pair (PINNED)	1.0	215	235

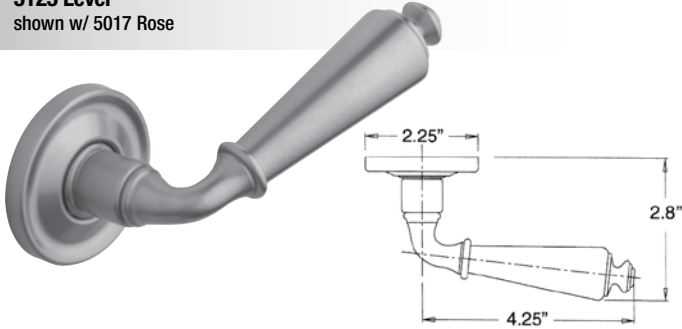
**5122 Lever**  
shown w/ 5016 Rose



Item #	Description	Wt.	030, 031	
			033, 034, 040	003, 055
5122.xxx.MR	Minus Roses – pair	1.6	\$150	\$170
5122.xxx.RMR (LMR)	Right (Left) Minus Rose – half pair	.8	75	85
5122.xxx.MRPN	Minus Roses – pair (PINNED)	1.6	215	235

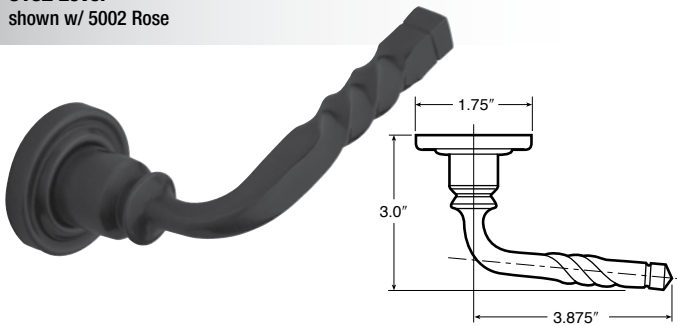
**NOTE:** Also available with 8MM square broach for European mortise locks. See page 61.

**5125 Lever**  
shown w/ 5017 Rose



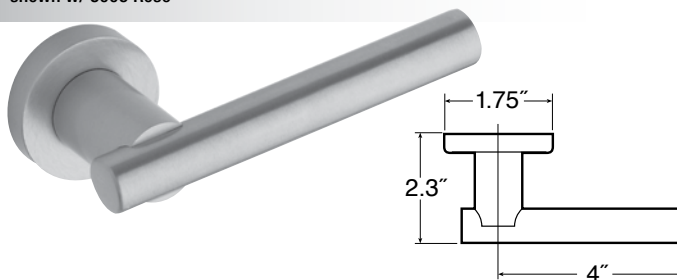
Item #	Description	Wt.	030, 031	
			033, 034, 040	003, 055
5125.xxx.MR	Minus Roses – pair	1.4	\$150	\$170
5125.xxx.RMR (LMR)	Right (Left) Minus Rose – half pair	.7	75	85
5125.xxx.MRPN	Minus Roses – pair (PINNED)	1.4	215	235

**5132 Lever**  
shown w/ 5002 Rose



Item #	Description	Wt.	030, 031	
			033, 034, 040	003, 055
5132.xxx.MR	Minus Roses – pair	1.0	\$150	\$170
5132.xxx.RMR (LMR)	Right (Left) Minus Rose – half pair	.5	75	85
5132.xxx.MRPN	Minus Roses – pair (PINNED)	1.0	215	235

**5137 Lever**  
shown w/ 5006 Rose

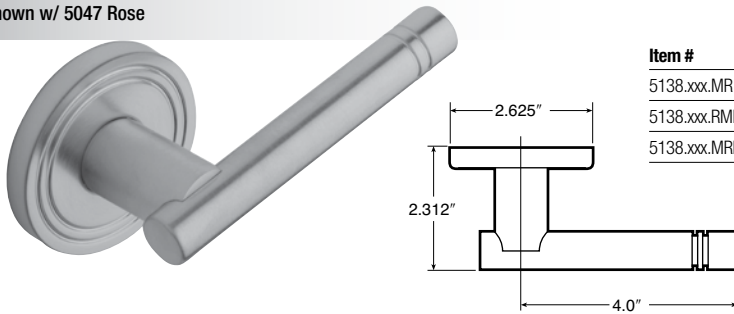


Item #	Description	Wt.	030, 031	
			033, 034, 040	003, 055
5137.xxx.MR	Minus Roses – pair	2.1	\$150	\$170
5137.xxx.RMR (LMR)	Right (Left) Minus Rose – half pair	1.1	75	85
5137.xxx.MRPN	Minus Roses – pair (PINNED)	2.1	215	235

# LEVERS SOLID BRASS

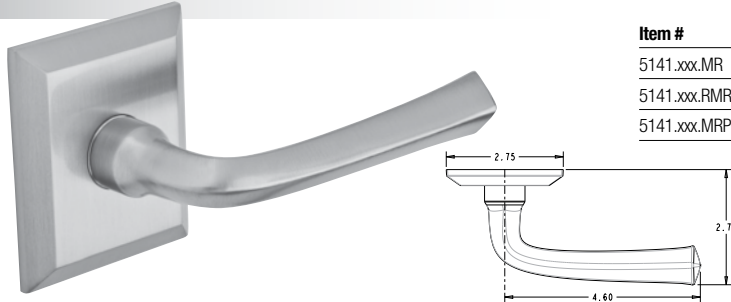
A LA CARTE KNOBS  
AND LEVERS

**5138 Lever**  
shown w/ 5047 Rose



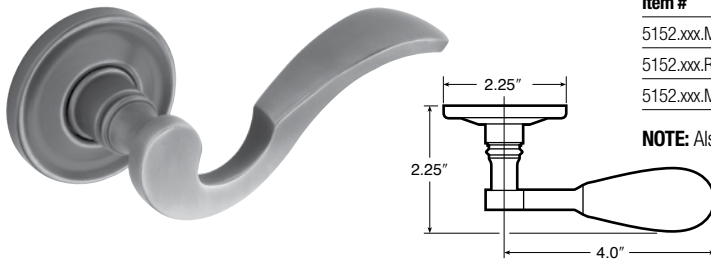
Item #	Description	Wt.	030, 031 033, 034, 040	
			050, 060, 102 112, 150, 151 190, 260, 264	003 055 056
5138.xxx.MR	Minus Roses – pair	2.3	\$150	\$170
5138.xxx.RMR (LMR)	Right (Left) Minus Rose – half pair	1.2	75	85
5138.xxx.MRPN	Minus Roses – pair (PINNED)	2.3	215	235

**5141 Lever**  
shown w/ R033 Rose



Item #	Description	Wt.	030, 031 033, 034, 040	
			050, 060, 102 112, 150, 151 190, 260, 264	003, 055 056, 402 412, 452
5141.xxx.MR	Minus Roses – pair	1.1	\$160	\$180
5141.xxx.RMR (LMR)	Right (Left) Minus Rose – half pair	.55	80	90
5141.xxx.MRPN	Minus Roses – pair (PINNED)	1.1	225	245

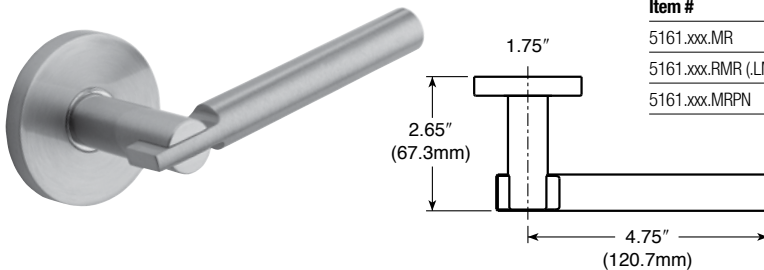
**5152 Lever**  
shown w/ 5017 Rose



Item #	Description	Wt.	030, 031 033, 034, 040	
			050, 060, 102 112, 150, 151 190, 260, 264	003, 055 056, 402 412, 452
5152.xxx.MR	Minus Roses – pair	1.0	\$150	\$170
5152.xxx.RMR (LMR)	Right (Left) Minus Rose – half pair	.5	75	85
5152.xxx.MRPN	Minus Roses – pair (PINNED)	1.0	215	235

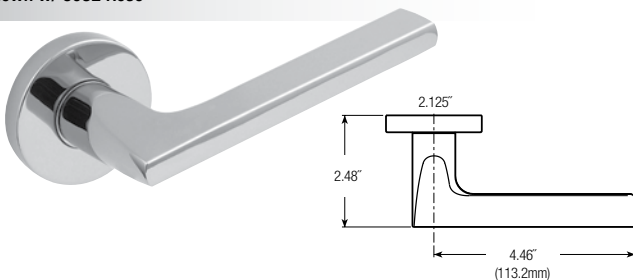
**NOTE:** Also available with 8MM square broach for European mortise locks. See page 58

**5161 Lever**  
shown w/ 5046 Rose



Item #	Description	Wt.	030, 031 033, 034, 040	
			050, 060, 102 112, 150, 151 190, 260, 264	003 055 056
5161.xxx.MR	Minus Roses – pair	1.2	\$150	\$170
5161.xxx.RMR (LMR)	Right (Left) Minus Rose – half pair	.6	75	85
5161.xxx.MRPN	Minus Roses – pair (PINNED)	1.2	215	235

**5162 Lever**  
shown w/ 5032 Rose

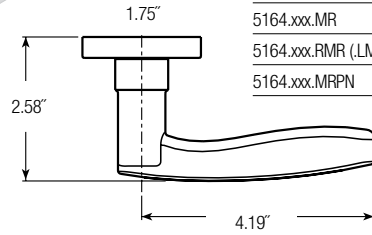


Item #	Description	Wt.	030, 031 033, 034, 040	
			050, 060, 102 112, 150, 151 190, 260, 264	003, 055 056, 402 412, 452
5162.xxx.MR	Minus Roses – pair	1.4	\$150	\$170
5162.xxx.RMR (LMR)	Right (Left) Minus Rose – half pair	.7	75	85
5162.xxx.MRPN	Minus Roses – pair (PINNED)	1.4	215	235

**NOTE:** Also available with 8MM square broach for European mortise locks. See page 62.

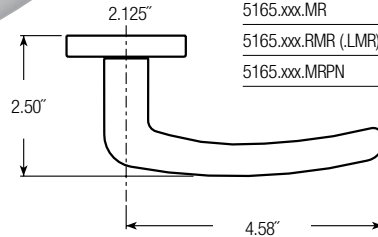
For easy ordering, select finishes and functions of pre-configured tubular sets are available on page 13.

**5164 Lever**  
shown w/ 5006 Rose



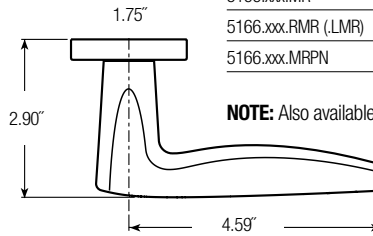
Item #	Description	Wt.	030, 031	
			033, 034, 040	003, 055
5164.xxx.MR	Minus Roses – pair	1.3	\$150	\$170
5164.xxx.RMR (LMR)	Right (Left) Minus Rose – half pair	.7	75	85
5164.xxx.MRPN	Minus Roses – pair (PINNED)	1.3	215	235

**5165 Lever**  
shown w/ 5032 Rose



Item #	Description	Wt.	030, 031	
			033, 034, 040	003, 055
5165.xxx.MR	Minus Roses – pair	1.2	\$150	\$170
5165.xxx.RMR (LMR)	Right (Left) Minus Rose – half pair	.6	75	85
5165.xxx.MRPN	Minus Roses – pair (PINNED)	1.2	215	235

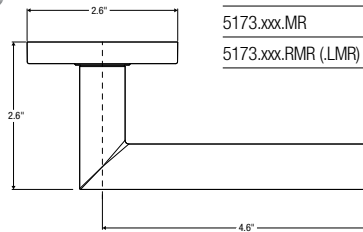
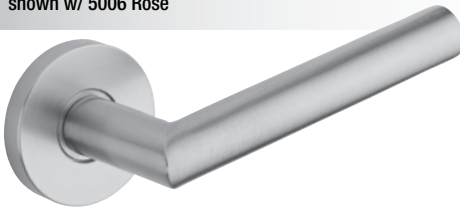
**5166 Lever**  
shown w/ 5006 Rose



Item #	Description	Wt.	030, 031	
			033, 034, 040	003, 055
5166.xxx.MR	Minus Roses – pair	2.0	\$150	\$170
5166.xxx.RMR (LMR)	Right (Left) Minus Rose – half pair	1.0	75	85
5166.xxx.MRPN	Minus Roses – pair (PINNED)	2.0	215	235

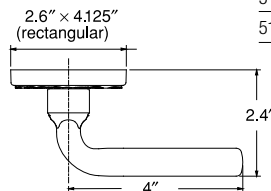
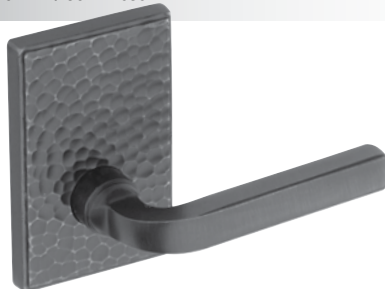
**NOTE:** Also available with 8MM square broach for European mortise locks. See page 62.

**5173 Lever**  
shown w/ 5006 Rose



Item #	Description	Wt.	030, 031	
			033, 034, 040	003, 055
5173.xxx.MR	Minus Roses – pair	2.0	\$150	\$170
5173.xxx.RMR (LMR)	Right (Left) Minus Rose – half pair	1.0	75	85

**5190 Lever**  
shown w/ 5042 Rose



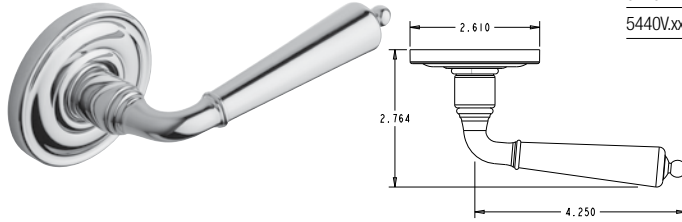
Item #	Description	Wt.	030, 031	
			033, 034, 040	003, 055
5190.xxx.MR	Minus Roses – pair	2.3	\$150	\$170
5190.xxx.RMR (LMR)	Right (Left) Minus Rose – half pair	1.2	75	85
5190.xxx.MRPN	Minus Roses – pair (PINNED)	2.3	215	235

**NOTE:** Also available with 8MM square broach for European mortise locks. See page 61.

# LEVERS SOLID BRASS

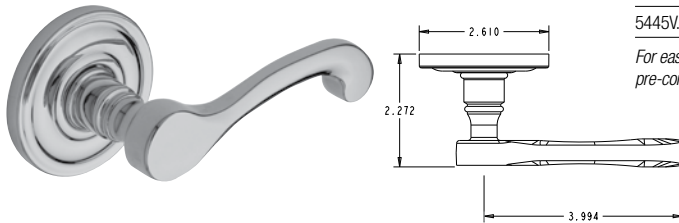
A LA CARTE KNOBS  
AND LEVERS

## 5440V Colonial Lever shown w/ 5048 Rose



Item #	Description	Wt.	030, 031	
			033, 034, 040	003, 055
5440V.xxx.MR	Minus Roses - pair	-	\$120	\$140
5440V.xxx.RMR (LMR)	Minus Roses - half pair	-	60	70

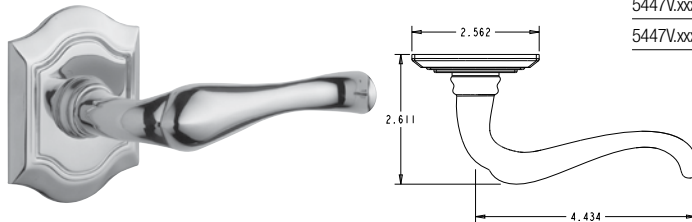
## 5445V Classic Lever shown w/ 5048 Rose



Item #	Description	Wt.	030, 031	
			033, 034, 040	003, 055
5445V.xxx.MR	Minus Roses - pair	-	\$120	\$140
5445V.xxx.RMR (LMR)	Minus Roses - half pair	-	60	70

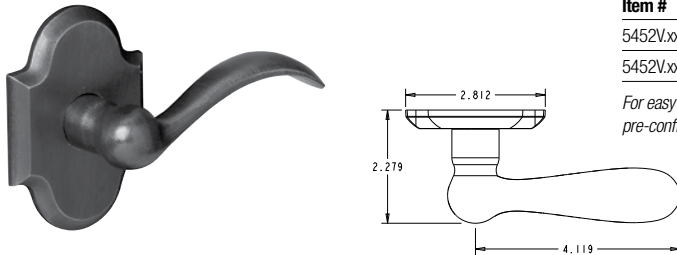
For easy ordering, select finishes and functions of pre-configured tubular sets are available on page 13.

## 5447V Bethpage® Lever shown w/ R027 Bethpage Rose



Item #	Description	Wt.	030, 031	
			033, 034, 040	003, 055
5447V.xxx.MR	Minus Roses - pair	-	\$120	\$140
5447V.xxx.RMR (LMR)	Minus Roses - half pair	-	60	70

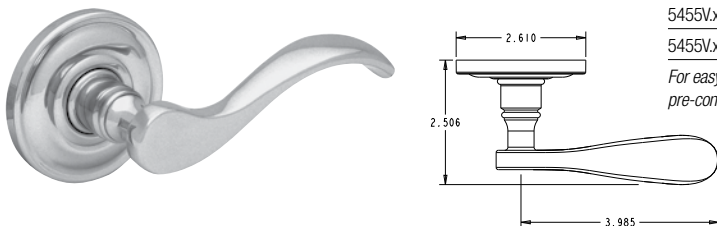
## 5452V Lever shown w/ R030 Arch Rose



Item #	Description	Wt.	030, 031	
			033, 034, 040	003, 055
5452V.xxx.MR	Minus Roses - pair	-	\$120	\$140
5452V.xxx.RMR (LMR)	Minus Roses - half pair	-	60	70

For easy ordering, select finishes and functions of pre-configured tubular sets are available on page 13.

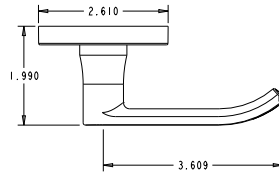
## 5455V Wave Lever shown w/ 5048 Rose



Item #	Description	Wt.	030, 031	
			033, 034, 040	003, 055
5455V.xxx.MR	Minus Roses - pair	-	\$120	\$140
5455V.xxx.RMR (LMR)	Minus Roses - half pair	-	60	70

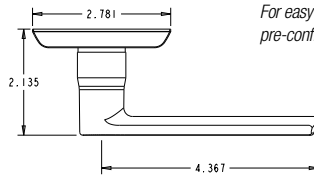
For easy ordering, select finishes and functions of pre-configured tubular sets are available on page 13.

**5460V Contemporary Lever**  
shown w/ 5046 Rose



Item #	Description	Wt.	030, 031	
			033, 034, 040	003, 055
5460V.xxx.MR	Minus Roses - pair	-	\$120	\$140
5460V.xxx.RMR (LMR)	Minus Roses - half pair	-	60	70

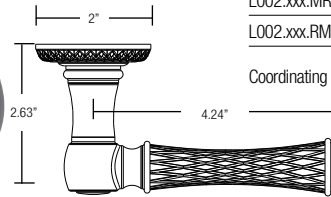
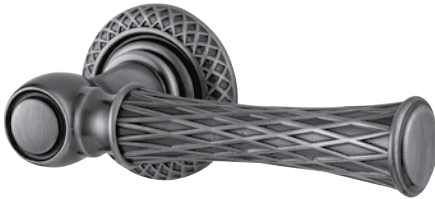
**5485V Soho® Lever**  
shown w/ R026 Soho Rose



Item #	Description	Wt.	030, 031	
			033, 034, 040	003, 055
5485V.xxx.MR	Minus Roses - pair	-	\$120	\$140
5485V.xxx.RMR (LMR)	Minus Roses - half pair	-	60	70

For easy ordering, select finishes and functions of pre-configured tubular sets are available on page 13.

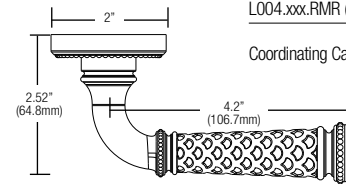
**L002 Lever**  
shown w/ R003 Rose



Item #	Description	Wt.	030, 031	
			033, 034, 040	402
L002.xxx.MR	Minus Roses - pair	1.4	\$530	\$550
L002.xxx.RMR (LMR)	Right (Left) Minus Rose - half pair	0.7	265	275

Coordinating Cabinet Hardware found on page 215

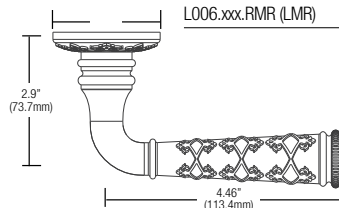
**L004 Lever**  
shown w/ R007 Rose



Item #	Description	Wt.	030, 031	
			033, 034, 040	402
L004.xxx.MR	Minus Roses - pair	1.4	\$530	\$550
L004.xxx.RMR (LMR)	Right (Left) Minus Rose - half pair	0.7	265	275

Coordinating Cabinet Hardware found on page 215

**L006 Lever**  
shown w/ R011 Rose

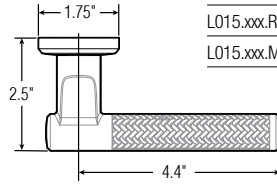


Item #	Description	Wt.	030, 031	
			033, 034, 040	402
L006.xxx.MR	Minus Roses - pair	1.4	\$530	\$550
L006.xxx.RMR (LMR)	Right (Left) Minus Rose - half pair	0.7	265	275

# LEVERS SOLID BRASS

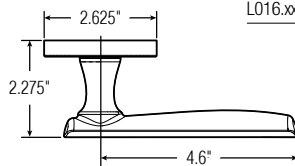
A LA CARTE KNOBS  
AND LEVERS

**L015 Lever**  
shown w/ R018 Rose



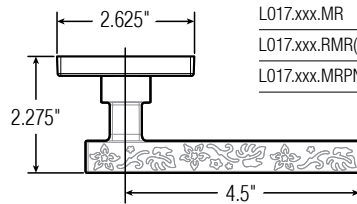
Item #	Description	Wt.	030, 031 033, 034, 040		003, 055	
			050, 060, 102	112, 150, 151	190, 260, 264	056, 402
L015.xxx.MR	Minus Roses – pair	-	\$150		\$170	
L015.xxx.RMR (LMR)	Right (Left) Minus Rose – half pair	-	75		85	
L015.xxx.MRPN	Minus Roses – pair (PINNED)	-	215		235	

**L016 Lever**  
shown w/ 5046 Rose



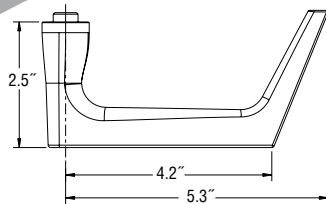
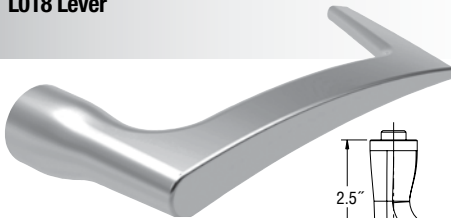
Item #	Description	Wt.	030, 031 033, 034, 040		003, 055	
			050, 060, 102	112, 150, 151	190, 260, 264	056, 402
L016.xxx.MR	Minus Roses – pair	-	\$150		\$170	
L016.xxx.RMR (LMR)	Right (Left) Minus Rose – half pair	-	75		85	
L016.xxx.MRPN	Minus Roses – pair (PINNED)	-	215		235	

**L017 Lever**  
shown w/ R017 Rose



Item #	Description	Wt.	030, 031 033, 034, 040		003, 055	
			050, 060, 102	112, 150, 151	190, 260, 264	056, 402
L017.xxx.MR	Minus Roses – pair	-	\$150		\$170	
L017.xxx.RMR (LMR)	Right (Left) Minus Rose – half pair	-	75		85	
L017.xxx.MRPN	Minus Roses – pair (PINNED)	-	215		235	

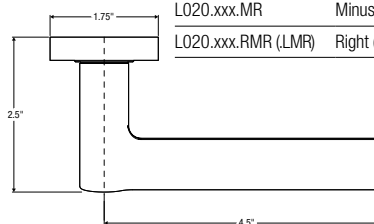
**L018 Lever**



Item #	Description	Wt.	030, 031 033, 034, 040		003, 055	
			050, 060, 102	112, 150, 151	190, 260, 264	056, 402
L018.xxx.MR	Minus Roses – pair	-	\$150		\$170	
L018.xxx.RMR (LMR)	Right (Left) Minus Rose – half pair	-	75		85	
L018.xxx.MRPN	Minus Roses – pair (PINNED)	-	215		235	

**NOTE** > When using lever with Multi-point trims, please use L018.xxx.MPMR/ L018.xxx.MPRMR (.MPLMR)  
> When using levers with trims thickness "G" through "J" (trim thicknesses of 0.375" or thicker), please use L018.xxx.TMR/ L018.xxx.TRMR (.TLMR)

**L020 Lever**  
shown w/ 5032 Rose



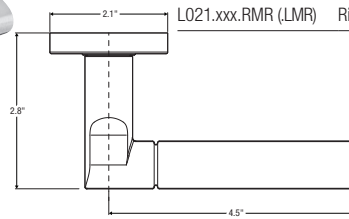
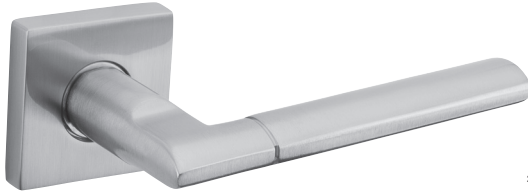
Item #	Description	Wt.	030, 031 033, 034, 040		003, 055	
			050, 060, 102	112, 150, 151	190, 260, 264	056, 402
L020.xxx.MR	Minus Roses – pair	-	\$150		\$170	
L020.xxx.RMR (LMR)	Right (Left) Minus Rose – half pair	-	75		85	



# LEVERS SOLID BRASS

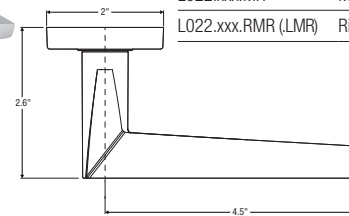
A LA CARTE KNOBS  
AND LEVERS

**L021 Lever**  
shown w/ 5056 Rose



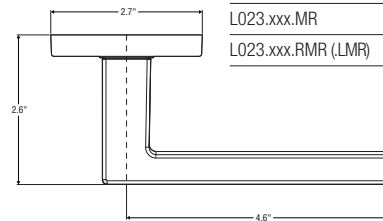
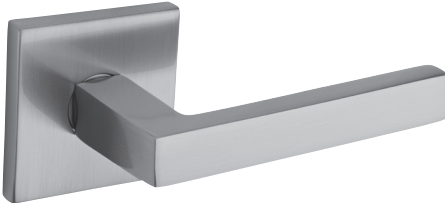
Item #	Description	Wt.	030, 031	
			033, 034, 040	003, 055
L021.xxx.MR	Minus Roses – pair	-	\$150	\$170
L021.xxx.RMR (LMR)	Right (Left) Minus Rose – half pair	-	75	85

**L022 Lever**  
shown w/ 5056 Rose



Item #	Description	Wt.	030, 031	
			033, 034, 040	003, 055
L022.xxx.MR	Minus Roses – pair	-	\$150	\$170
L022.xxx.RMR (LMR)	Right (Left) Minus Rose – half pair	-	75	85

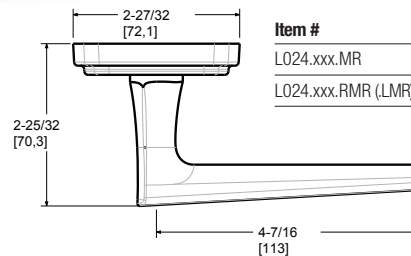
**L023 Lever**  
shown w/ R017 Rose



Item #	Description	Wt.	030, 031	
			033, 034, 040	003, 055
L023.xxx.MR	Minus Roses – pair	-	\$160	\$180
L023.xxx.RMR (LMR)	Right (Left) Minus Rose – half pair	-	80	90

**L024 Lever**  
shown w/ R046 Rose

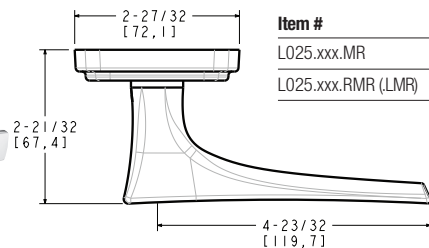
**Coming August 2016**



Item #	Description	Wt.	030, 031	
			033, 034, 040	003, 055
L024.xxx.MR	Minus Roses – pair	-	\$150	\$170
L024.xxx.RMR (LMR)	Right (Left) Minus Rose – half pair	-	75	85

**L025 Lever**  
shown w/ R045 Rose

**Coming August 2016**

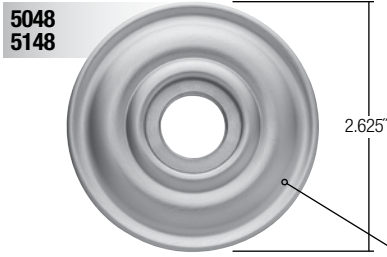
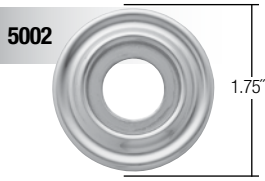


Item #	Description	Wt.	030, 031	
			033, 034, 040	003, 055
L025.xxx.MR	Minus Roses – pair	-	\$150	\$170
L025.xxx.RMR (LMR)	Right (Left) Minus Rose – half pair	-	75	85

# ROSETTES SOLID BRASS

A LA CARTE KNOBS  
AND LEVERS

## 5002, 5017, 5048, 5148 Rosettes



Item #	Description	Wt.	030, 031	
			033, 034, 040 050, 060, 102 112, 150, 151 190, 260, 264	003, 055 056, 402 412, 452
5002.xxx	1.75" Passage – pair	.2	\$36	\$46
5002.xxx.FD	1.75" Dummy – pair			
5002.xxx.I	1.75" Passage – half pair	.1	18	23
5002.xxx.IDM	1.75" Dummy – half pair			
5017.xxx	2.25" Passage – pair	.4	44	54
5017.xxx.FD	2.25" Dummy – pair			
5017.xxx.I	2.25" Passage – half pair	.2	22	27
5017.xxx.IDM	2.25" Dummy – half pair			
5048.xxx	2.625" Passage – pair	.8	44	54
5048.xxx.FD	2.625" Dummy – pair			
5048.xxx.I	2.625" Passage – half pair	.4	22	27
5048.xxx.IDM	2.625" Dummy – half pair			
5148.xxx	2.625" Privacy – pair*	.8	44	54
5148.xxx.I	2.625" Privacy – half pair*	.4	22	27

## 5003 Rosette



Item #	Description	Wt.	030, 031	
			033, 034, 040 050, 060, 102 112, 150, 151 190, 260, 264	003, 055 056, 402 412, 452
5003.xxx	2" Passage – pair	.4	\$50	\$60
5003.xxx.FD	2" Dummy – pair			
5003.xxx.I	2" Passage – half pair	.2	25	30
5003.xxx.IDM	2" Dummy – half pair			

## 5004, 5149 Rosette

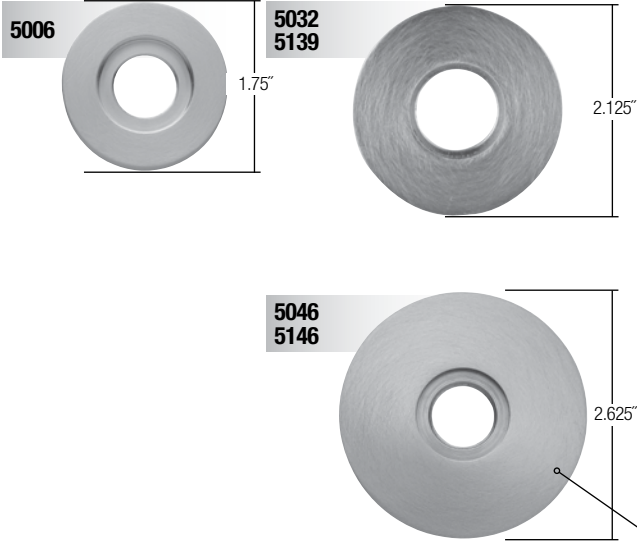


Item #	Description	Wt.	030, 031	
			033, 034, 040 050, 060, 102 112, 150, 151 190, 260, 264	003, 055 056, 402 412, 452
5004.xxx	2.625" Passage – pair	.8	\$50	\$60
5004.xxx.FD	2.625" Dummy – pair			
5004.xxx.I	2.625" Passage – half pair	.4	25	30
5004.xxx.IDM	2.625" Dummy – half pair			
5149.xxx	2.625" Privacy – pair*	.8	50	60
5149.xxx.I	2.625" Privacy – half pair*	.4	25	30

\*2.625" diameter privacy roses do NOT include 5097 Active backplates.

## 5006, 5032, 5046, 5139, 5146 Rosettes

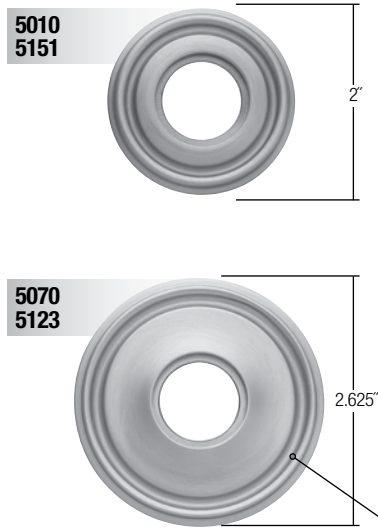
030, 031  
033, 034, 040  
050, 060, 102  
112, 150, 151  
190, 260, 264  
003, 055  
056, 402  
412, 452



Item #	Description	Wt.	030, 031 033, 034, 040 050, 060, 102 112, 150, 151 190, 260, 264	003, 055 056, 402 412, 452
5006.xxx	1.75" Passage – pair	.3	\$36	\$46
5006.xxx.FD	1.75" Dummy – pair			
5006.xxx.I	1.75" Passage – half pair	.15	18	23
5006.xxx.IDM	1.75" Dummy – half pair			
5032.xxx	2.125" Passage – pair	.4	44	54
5032.xxx.FD	2.125" Dummy – pair	.4	44	54
5032.xxx.I	2.125" Passage – half pair	.2	22	27
5032.xxx.IDM	2.125" Dummy – half pair			
5139.xxx	2.125" Privacy – pair	.4	44	54
5139.xxx.I	2.125" Privacy – half pair	.2	22	27
5046.xxx	2.625" Passage – pair	.8	44	54
5046.xxx.FD	2.625" Dummy – pair			
5046.xxx.I	2.625" Passage – half pair	.4	22	27
5046.xxx.IDM	2.625" Dummy – half pair			
5146.xxx	2.625" Privacy – pair*	.8	44	54
5146.xxx.I	2.625" Privacy – half pair*	.4	22	27

## 5010, 5070, 5123, 5151 Rosettes

030, 031  
033, 034, 040  
050, 060, 102  
112, 150, 151  
190, 260, 264  
003, 055  
056, 402  
412, 452



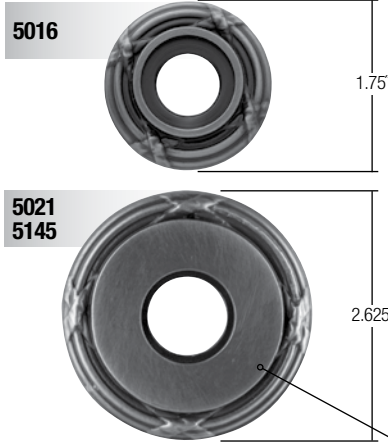
Item #	Description	Wt.	030, 031 033, 034, 040 050, 060, 102 112, 150, 151 190, 260, 264	003, 055 056, 402 412, 452
5010.xxx	2" Passage – pair	.4	\$50	\$60
5010.xxx.FD	2" Dummy – pair			
5010.xxx.I	2" Passage – half pair	.2	25	30
5010.xxx.IDM	2" Dummy – half pair			
5151.xxx	2" Privacy – pair	.4	50	60
5151.xxx.I	2" Privacy – half pair	.2	25	30
5070.xxx	2.625" Passage – pair	.8	50	60
5070.xxx.FD	2.625" Dummy – pair			
5070.xxx.I	2.625" Passage – half pair	.4	25	30
5070.xxx.IDM	2.625" Dummy – half pair			
5123.xxx	2.625" Privacy – pair*	.8	50	60
5123.xxx.I	2.625" Privacy – half pair*	.4	25	30

\*2.625" diameter privacy roses do NOT include 5097 Active backplates.

# ROSETTES SOLID BRASS

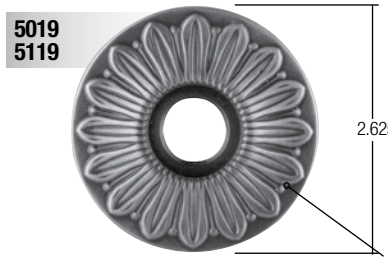
A LA CARTE KNOBS  
AND LEVERS

## 5021, 5016, 5145 Rosettes



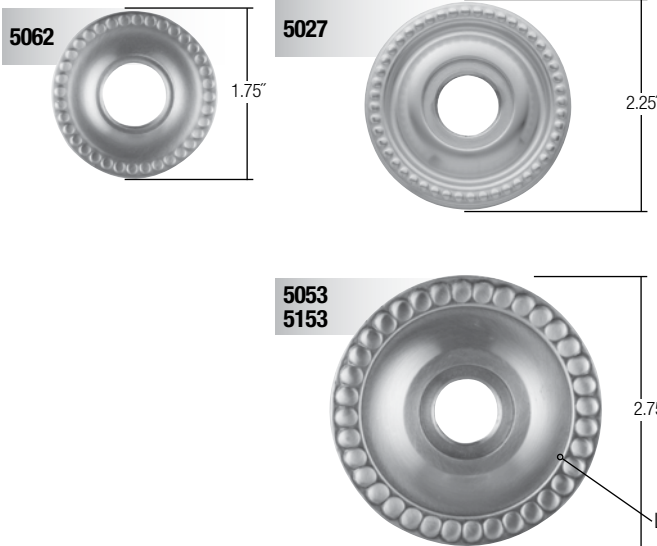
Item #	Description	Wt.	030, 031	
			033, 034, 040	003, 055
			050, 060, 102	056, 402
			112, 150, 151	412, 452
			190, 260, 264	
5016.xxx	1.75" Passage – pair			
5016.xxx.FD	1.75" Dummy – pair	.3	\$36	\$46
5016.xxx.I	1.75" Passage – half pair			
5016.xxx.IDM	1.75" Dummy – half pair	.2	18	23
5021.xxx	2.625" Passage – pair			
5021.xxx.FD	2.625" Dummy – pair	.8	50	60
5021.xxx.I	2.625" Passage – half pair			
5021.xxx.IDM	2.625" Dummy – half pair	.4	25	30
5145.xxx	2.625" Privacy – pair*	.8	50	60
5145.xxx.I	2.625" Privacy – half pair*	.4	25	30

## 5019, 5119 Rosettes



Item #	Description	Wt.	030, 031	
			033, 034, 040	003, 055
			050, 060, 102	056, 402
			112, 150, 151	412, 452
			190, 260, 264	
5019.xxx	2.625" Passage – pair	.5	\$50	\$60
5019.xxx.FD	2.625" Dummy – pair			
5019.xxx.I	2.625" Passage – half pair	.3	25	30
5019.xxx.IDM	2.625" Dummy – half pair			
5119.xxx	2.625" Privacy – pair*	.5	50	60
5119.xxx.I	2.625" Privacy – half pair*	.3	25	30

## 5027, 5053, 5062, 5153 Rosettes

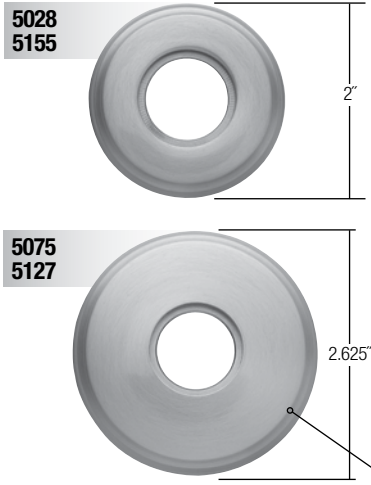


Item #	Description	Wt.	030, 031	
			033, 034, 040	003, 055
			050, 060, 102	056, 402
			112, 150, 151	412, 452
			190, 260, 264	
5062.xxx	1.75" Passage – pair	.2	\$36	\$46
5062.xxx.FD	1.75" Dummy – pair			
5062.xxx.I	1.75" Passage – half pair	.1	18	23
5062.xxx.IDM	1.75" Dummy – half pair			
5027.xxx	2.25" Passage – pair	.8	50	60
5027.xxx.FD	2.25" Dummy – pair			
5027.xxx.I	2.25" Passage – half pair	.4	25	30
5027.xxx.IDM	2.25" Dummy – half pair			
5053.xxx	2.625" Passage – pair	.8	50	60
5053.xxx.FD	2.625" Dummy – pair			
5053.xxx.I	2.625" Passage – half pair	.4	25	30
5053.xxx.IDM	2.625" Dummy – half pair			
5153.xxx	2.625" Privacy – pair*	.8	50	60
5153.xxx.I	2.625" Privacy – half pair*	.4	25	30

All Estate levers are ADA 4.13.9 Compliant

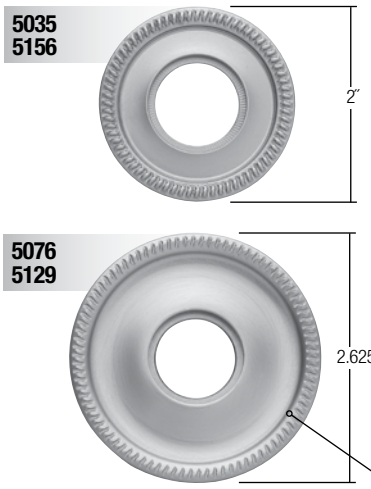
\*2.625" diameter privacy roses do NOT include 5097 Active backplates.

5028, 5075, 5127, 5155 Rosettes



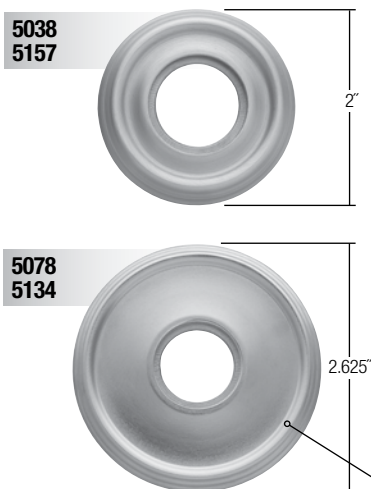
Item #	Description	Wt.	030, 031	
			033, 034, 040	003, 055
			050, 060, 102	056, 402
			112, 150, 151	412, 452
			190, 260, 264	
5028.xxx	2" Passage – pair	.4	\$50	\$60
5028.xxx.FD	2" Dummy – pair			
5028.xxx.I	2" Passage – half pair	.2	25	30
5028.xxx.IDM	2" Dummy – half pair			
5155.xxx	2" Privacy – pair	.4	50	60
5155.xxx.I	2" Privacy – half pair	.2	25	30
5075.xxx	2.625" Passage – pair	.8	50	60
5075.xxx.FD	2.625" Dummy – pair			
5075.xxx.I	2.625" Passage – half pair	.4	25	30
5075.xxx.IDM	2.625" Dummy – half pair			
5127.xxx	2.625" Privacy – pair*	.8	50	60
5127.xxx.I	2.625" Privacy – half pair*	.4	25	30

5035, 5076, 5129, 5156 Rosettes



Item #	Description	Wt.	030, 031	
			033, 034, 040	003, 055
			050, 060, 102	056, 402
			112, 150, 151	412, 452
			190, 260, 264	
5035.xxx	2" Passage – pair	.4	\$50	\$60
5035.xxx.FD	2" Dummy – pair			
5035.xxx.I	2" Passage – half pair	.2	25	30
5035.xxx.IDM	2" Dummy – half pair			
5156.xxx	2" Privacy – pair	.4	50	60
5156.xxx.I	2" Privacy – half pair	.2	25	30
5076.xxx	2.625" Passage – pair	.8	50	60
5076.xxx.FD	2.625" Dummy – pair			
5076.xxx.I	2.625" Passage – half pair	.4	25	30
5076.xxx.IDM	2.625" Dummy – half pair			
5129.xxx	2.625" Privacy – pair*	.8	50	60
5129.xxx.I	2.625" Privacy – half pair*	.4	25	30

5038, 5078, 5134, 5157 Rosettes



Item #	Description	Wt.	030, 031	
			033, 034, 040	003, 055
			050, 060, 102	056, 402
			112, 150, 151	412, 452
			190, 260, 264	
5038.xxx	2" Passage – pair	.4	\$50	\$60
5038.xxx.FD	2" Dummy – pair			
5038.xxx.I	2" Passage – half pair	.2	25	30
5038.xxx.IDM	2" Dummy – half pair			
5157.xxx	2" Privacy – pair	.4	50	60
5157.xxx.I	2" Privacy – half pair	.2	25	30
5078.xxx	2.625" Passage – pair	.8	50	60
5078.xxx.FD	2.625" Dummy – pair			
5078.xxx.I	2.625" Passage – half pair	.4	25	30
5078.xxx.IDM	2.625" Dummy – half pair			
5134.xxx	2.625" Privacy – pair*	.8	50	60
5134.xxx.I	2.625" Privacy – half pair*	.4	25	30

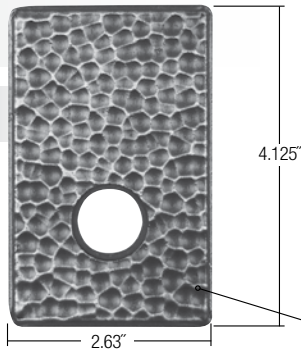
\*2.625" diameter privacy roses do NOT include 5097 Active backplates.

# ROSETTES SOLID BRASS

A LA CARTE KNOBS  
AND LEVERS

## 5042, 5142 Rosettes

5042  
5142

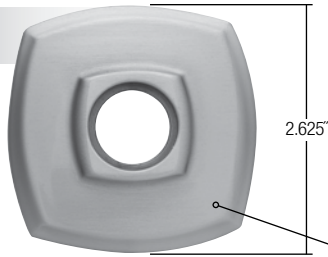


Large enough to cover 2.125" pre-bored door

Item #	Description	Wt.	030, 031	
			033, 034, 040 050, 060, 102 112, 150, 151 190, 260, 264	402 412 452
5042.xxx	2.63" x 4.125" Passage – pair	1.0	\$50	\$60
5042.xxx.FD	2.63" x 4.125" Dummy – pair			
5042.xxx.l	2.63" x 4.125" Passage – half pair	.5	25	30
5042.xxx.IDM	2.63" x 4.125" Dummy – half pair			
5142.xxx	2.63" x 4.125" Privacy – pair*	1.0	50	60
5142.xxx.R (L)	2.63" x 4.125" Privacy – half pair*	.5	25	30

## 5058, 5158 Rosettes

5058  
5158

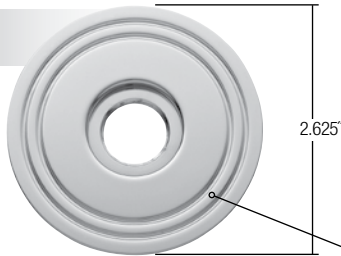


Large enough to cover 2.125" pre-bored door

Item #	Description	Wt.	030, 031	
			033, 034, 040 050, 060, 102 112, 150, 151 190, 260, 264	003, 055 056, 402 412, 452
5058.xxx	2.625" Passage – pair	.8	\$50	\$60
5058.xxx.FD	2.625" Dummy – pair			
5058.xxx.l	2.625" Passage – half pair	.4	25	30
5058.xxx.IDM	2.625" Dummy – half pair			
5158.xxx	2.625" Privacy – pair*	.8	50	60
5158.xxx.l	2.625" Privacy – half pair*	.4	25	30

## 5047, 5147 Rosettes

5047  
5147

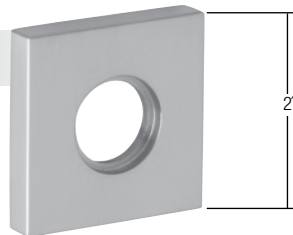


Large enough to cover 2.125" pre-bored door

Item #	Description	Wt.	030, 031	
			033, 034, 040 050, 060, 102 112, 150, 151 190, 260, 264	003, 055 056, 402 412, 452
5047.xxx	2.625" Passage – pair	.8	\$44	\$54
5047.xxx.FD	2.625" Dummy – pair			
5047.xxx.l	2.625" Passage – half pair	.4	22	27
5047.xxx.IDM	2.625" Dummy – half pair			
5147.xxx	2.625" Privacy – pair*	.8	44	54
5147.xxx.l	2.625" Privacy – half pair*	.4	22	27

## 5056, 5160 Rosettes

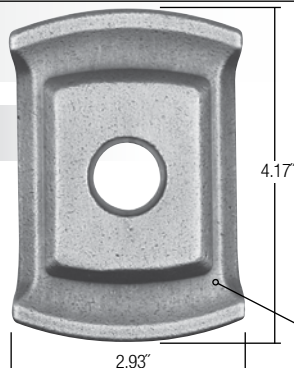
5056  
5160



Item #	Description	Wt.	030, 031	
			033, 034, 040 050, 060, 102 112, 150, 151 190, 260, 264	003, 055 056, 402 412, 452
5056.xxx	2" Passage – pair	.8	\$44	\$54
5056.xxx.FD	2" Dummy – pair			
5056.xxx.l	2" Passage – half pair	.4	22	27
5056.xxx.IDM	2" Dummy – half pair			
5160.xxx	2" Privacy – pair	.8	44	54
5160.xxx.l	2" Privacy – half pair	.4	22	27

## 5059, 5159 Rosettes

5059  
5159



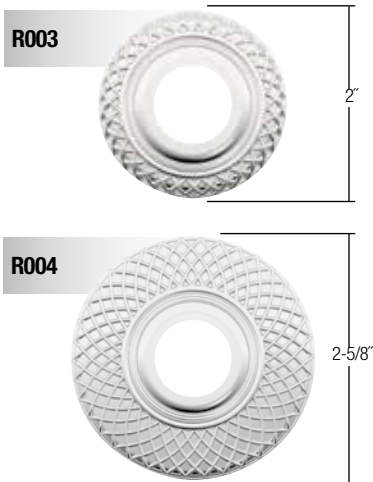
Large enough to cover 2.125" pre-bored door

Item #	Description	Wt.	030, 031	
			033, 034, 040 050, 060, 102 112, 150, 151 190, 260, 264	003, 055 056, 402 412, 452
5059.xxx	2.63" x 4.125" Passage – pair	1.2	\$50	\$60
5059.xxx.FD	2.63" x 4.125" Dummy – pair			
5059.xxx.l	2.63" x 4.125" Passage – half pair	.6	25	30
5059.xxx.IDM	2.63" x 4.125" Dummy – half pair			
5159.xxx	2.63" x 4.125" Privacy – pair*	1.2	50	60
5159.xxx.l	2.63" x 4.125" Privacy – half pair*	.6	25	30

\*2.625" diameter or larger privacy roses do NOT include 5097 Active backplates.

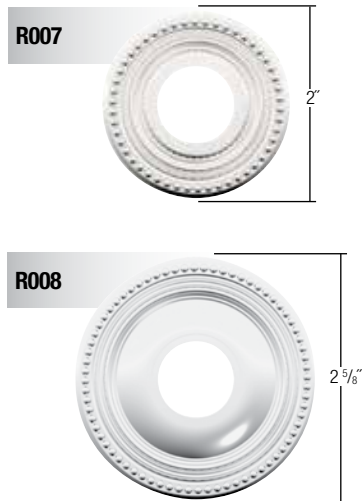


R003, R004 Rosettes



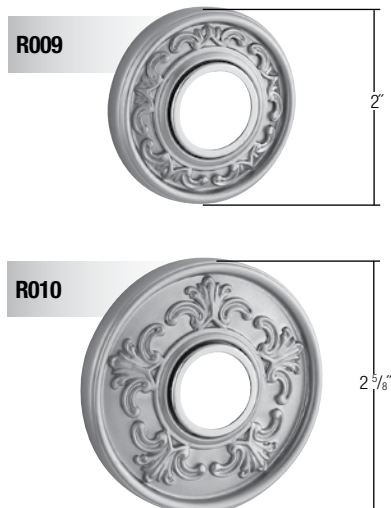
Item #	Description	Wt.	030, 031	
			033, 034, 040	003, 055
			050, 060, 102	056, 402
			112, 150, 151	412, 452
			190, 260, 264	
R003.xxx.PS	2" Passage – pair			
R003.xxx.FD	2" Dummy – pair	.5	\$90	\$100
R003.xxx.PV	2" Privacy – pair			
R003.xxx.IPS	2" Passage – half pair			
R003.xxx.IDM	2" Dummy – half pair	.3	45	50
R003.xxx.IPV	2" Privacy – half pair			
R004.xxx.PS	2 5/8" Passage – pair			
R004.xxx.FD	2 5/8" Dummy – pair	.5	90	100
R004.xxx.PV	2 5/8" Privacy – pair*			
R004.xxx.IPS	2 5/8" Passage – half pair			
R004.xxx.IDM	2 5/8" Dummy – half pair	.3	45	50
R004.xxx.IPV	2 5/8" Privacy – half pair*			

R007, R008 Rosettes



Item #	Description	Wt.	030, 031	
			033, 034, 040	003, 055
			050, 060, 102	056, 402
			112, 150, 151	412, 452
			190, 260, 264	
R007.xxx.PS	2" Passage – pair			
R007.xxx.FD	2" Dummy – pair	.5	\$90	\$100
R007.xxx.PV	2" Privacy – pair			
R007.xxx.IPS	2" Passage – half pair			
R007.xxx.IDM	2" Dummy – half pair	.3	45	50
R007.xxx.IPV	2" Privacy – half pair			
R008.xxx.PS	2 5/8" Passage – pair			
R008.xxx.FD	2 5/8" Dummy – pair	.5	90	100
R008.xxx.PV	2 5/8" Privacy – pair*			
R008.xxx.IPS	2 5/8" Passage – half pair			
R008.xxx.IDM	2 5/8" Dummy – half pair	.3	45	50
R008.xxx.IPV	2 5/8" Privacy – half pair*			

R009, R010 Rosettes



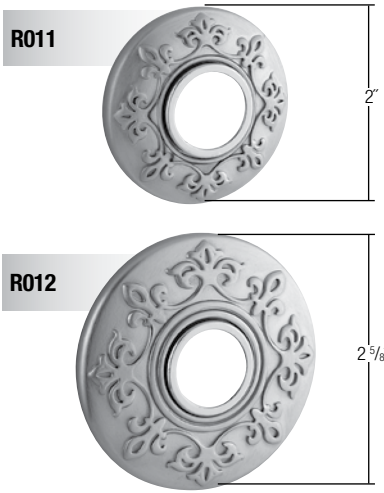
Item #	Description	Wt.	030, 031	
			033, 034, 040	003, 055
			050, 060, 102	056, 402
			112, 150, 151	412, 452
			190, 260, 264	
R009.xxx.PS	2" Passage – pair			
R009.xxx.FD	2" Dummy – pair	.5	\$90	\$100
R009.xxx.PV	2" Privacy – pair			
R009.xxx.IPS	2" Passage – half pair			
R009.xxx.IDM	2" Dummy – half pair	.3	45	50
R009.xxx.IPV	2" Privacy – half pair			
R010.xxx.PS	2 5/8" Passage – pair			
R010.xxx.FD	2 5/8" Dummy – pair	.5	90	100
R010.xxx.PV	2 5/8" Privacy – pair*			
R010.xxx.IPS	2 5/8" Passage – half pair			
R010.xxx.IDM	2 5/8" Dummy – half pair	.3	45	50
R010.xxx.IPV	2 5/8" Privacy – half pair*			

\*2 5/8" diameter privacy roses do NOT include 5097 Active backplates.

# ROSETTES SOLID BRASS

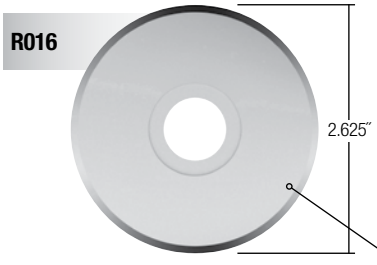
A LA CARTE KNOBS  
AND LEVERS

## R011, R012 Rosettes



Item #	Description	Wt.	030, 031	
			033, 034, 040	003, 055
			050, 060, 102	056, 402
			112, 150, 151	412, 452
			190, 260, 264	
R011.xxx.PS	2" Passage – pair			
R011.xxx.FD	2" Dummy – pair	.5	\$90	\$100
R011.xxx.PV	2" Privacy – pair			
R011.xxx.IPS	2" Passage – half pair			
R011.xxx.IDM	2" Dummy – half pair	.3	45	50
R011.xxx.IPV	2" Privacy – half pair			
R012.xxx.PS	2 5/8" Passage – pair			
R012.xxx.FD	2 5/8" Dummy – pair	.5	90	100
R012.xxx.PV	2 5/8" Privacy – pair*			
R012.xxx.IPS	2 5/8" Passage – half pair			
R012.xxx.IDM	2 5/8" Dummy – half pair	.3	45	50
R012.xxx.IPV	2 5/8" Privacy – half pair*			

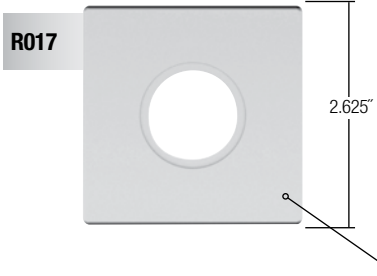
## R016 Rosette



Item #	Description	Wt.	030, 031	
			033, 034, 040	003, 055
			050, 060, 102	056, 402
			112, 150, 151	412, 452
			190, 260, 264	
R016.xxx.PS	2.625" Passage – pair	.8	\$44	\$54
R016.xxx.FD	2.625" Dummy – pair			
R016.xxx.IPS	2.625" Passage – half pair	.4	22	27
R016.xxx.IDM	2.625" Dummy – half pair			
R016.xxx.PV	2.625" Privacy – pair*	.8	44	54
R016.xxx.IPV	2.625" Privacy – half pair*	.4	22	27

Large enough to cover 2.125" pre-bored door

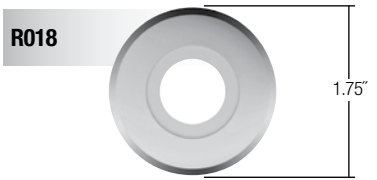
## R017 Rosette



Item #	Description	Wt.	030, 031	
			033, 034, 040	003, 055
			050, 060, 102	056, 402
			112, 150, 151	412, 452
			190, 260, 264	
R017.xxx.PS	2.625" Passage – pair	.8	\$44	\$54
R017.xxx.FD	2.625" Dummy – pair			
R017.xxx.IPS	2.625" Passage – half pair	.4	22	27
R017.xxx.IDM	2.625" Dummy – half pair			
R017.xxx.PV	2.625" Privacy – pair*	.8	44	54
R017.xxx.IPV	2.625" Privacy – half pair*	.4	22	27

Large enough to cover 2.125" pre-bored door

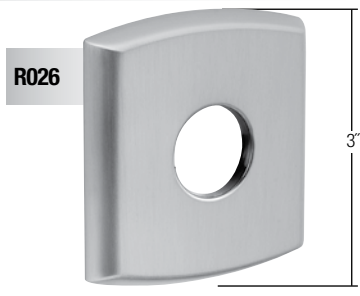
## R018 Rosette



Item #	Description	Wt.	030, 031	
			033, 034, 040	003, 055
			050, 060, 102	056, 402
			112, 150, 151	412, 452
			190, 260, 264	
R018.xxx.PS	1.75" Passage – pair	.3	\$36	\$46
R018.xxx.FD	1.75" Dummy – pair			
R018.xxx.IPS	1.75" Passage – half pair	.15	18	23
R018.xxx.IDM	1.75" Dummy – half pair			

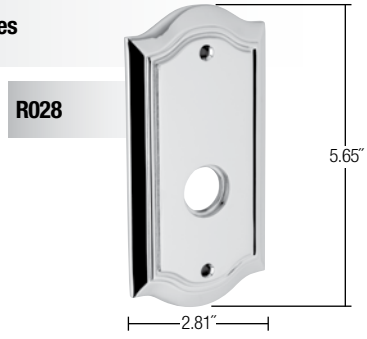
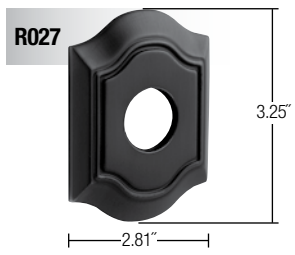
\*2.625" diameter privacy roses do NOT include 5097 Active backplates.

R026 Soho Rosette



Item #	Description	Wt.	030, 031	
			033, 034, 040	003, 055
R026.xxx.PS	3" Soho Passage - pair	.8	\$44	\$54
R026.xxx.FD	3" Soho Dummy - pair			
R026.xxx.IPS	3" Soho Passage - half pair	.4	22	27
R026.xxx.IDM	3" Soho Dummy - half pair			
R026.xxx.PV	3" Soho Privacy - pair	.8	44	54
R026.xxx.IPV	3" Soho Privacy - half pair	.4	22	27

R027 – R029 Bethpage Rosettes



Item #	Description	030, 031	
		050, 060, 102	003, 055
R027.xxx.PS	3.25" Bethpage Passage - pair	\$50	\$60
R027.xxx.FD	3.25" Bethpage Dummy - pair		
R027.xxx.IPS	3.25" Bethpage Passage - half pair	25	30
R027.xxx.IDM	3.25" Bethpage Dummy - half pair		
R027.xxx.PV	3.25" Bethpage Privacy - pair	50	60
R027.xxx.IPV	3.25" Bethpage Privacy - half pair	25	30
R028.xxx.PS	5.65" Bethpage Passage - pair	90	100
R028.xxx.FD	5.65" Bethpage Dummy - pair		
R028.xxx.IPS	5.65" Bethpage Passage - half pair	45	50
R028.xxx.IDM	5.65" Bethpage Dummy - half pair		
R028.xxx.PV	5.65" Bethpage Privacy - pair	90	100
R028.xxx.RPV (LPV)	5.65" Bethpage Privacy - half pair	45	50
R029.xxx.PS	10.14" Bethpage Passage - pair	180	200
R029.xxx.FD	10.14" Bethpage Dummy - pair		
R029.xxx.IPS	10.14" Bethpage Passage - half pair	90	100
R029.xxx.IDM	10.14" Bethpage Dummy - half pair		
R029.xxx.PV	10.14" Bethpage Privacy - pair	180	200
R029.xxx.RPV (LPV)	10.14" Bethpage Privacy - half pair	90	100
R029.xxx.ENTR	10.14" Bethpage Entry Kit - pair	325	345
R029.xxx.EGRK	10.14" Bethpage Entry Egress Kit - Knob Adaptor	400	420
R029.xxx.EGRL	10.14" Bethpage Entry Egress Kit - Lever Adaptor		

*Entry Kits:*  
 · Not sold in 030 Finish · Support 1 3/4" doors · Non-Egress: Must order knob/lever latch and desired knob or lever separately · Egress: Must order desired knob or lever separately. Can use 5399.xxx.C thick door kit if desired · Order 6502.009 adaptor & spindle separately. \* Entry and Egress sets: - not available in split finish- include cylinder and adjustable backset deadbolt - Entry function requires passage latch to be purchase separately\_ Egress Entry function includes adjustable backset latch.

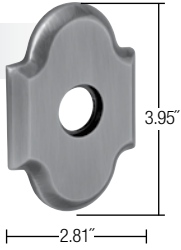
\*3" diameter privacy roses do NOT include 5097 Active backplates.

# ROSETTES SOLID BRASS

A LA CARTE KNOBS  
AND LEVERS

## R030 – R032 Arch Rosettes

R030



R031



R032



030, 031  
033, 034, 040  
050, 060, 102  
112, 150, 151  
190, 260, 264

003, 055  
056, 402  
412, 452

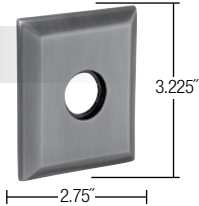
Item #	Description		
R030.xxx.PS	3.95" Arch Passage - pair		
R030.xxx.FD	3.95" Arch Dummy - pair	\$50	\$60
R030.xxx.IPS	3.95" Arch Passage - half pair		
R030.xxx.IDM	3.95" Arch Dummy - half pair	25	30
R030.xxx.PV	3.95" Arch Privacy - pair	50	60
R030.xxx.IPV	3.95" Arch Privacy - half pair	25	30
R031.xxx.PS	5.9" Arch Passage - pair		
R031.xxx.FD	5.9" Arch Dummy - pair	90	100
R031.xxx.IPS	5.9" Arch Passage - half pair		
R031.xxx.IDM	5.9" Arch Dummy - half pair	45	50
R031.xxx.PV	5.9" Arch Privacy - pair	90	100
R031.xxx.RPV (LPV)	5.9" Arch Privacy - half pair	45	50
R032.xxx.PS	10.53" Arch Passage - pair		
R032.xxx.FD	10.53" Arch Dummy - pair	180	200
R032.xxx.IPS	10.53" Arch Passage - half pair		
R032.xxx.IDM	10.53" Arch Dummy - half pair	90	100
R032.xxx.PV	10.53" Arch Privacy - pair	180	200
R032.xxx.RPV (LPV)	10.53" Arch Privacy - half pair	90	100
R032.xxx.ENTR	10.53" Arch Entry Kit - pair	325	345
R032.xxx.EGRK	11.2" Arch Entry Egress Kit - Knob Adaptor		
R032.xxx.EGRL	11.2" Arch Entry Egress Kit - Lever Adaptor	400	420

**Entry Kits:**

· Not sold in 030 Finish · Support 1 3/4" doors · Non-Egress: Must order knob/lever latch and desired knob or lever separately · Egress: Must order desired knob or lever separately. Can use 5399.xxx.C thick door kit if desired · Order 6502.009 adaptor & spindle separately. \* Entry and Egress sets: - not available in split finish- include cylinder and adjustable backset deadbolt - Entry function requires passage latch to be purchase separately\_ Egress Entry function includes adjustable backset latch.

## R033 – R035 Square Rosettes

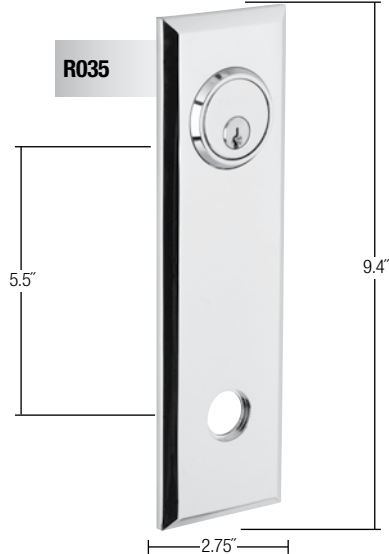
R033



R034



R035



030, 031  
033, 034, 040  
050, 060, 102  
112, 150, 151  
190, 260, 264

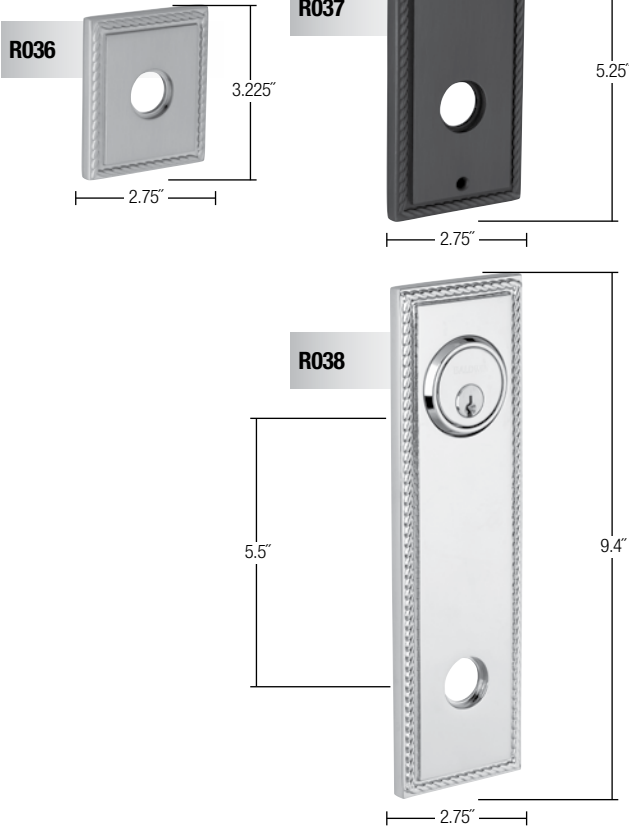
003, 055  
056, 402  
412, 452

Item #	Description		
R033.xxx.PS	3.225" Square Passage - pair		
R033.xxx.FD	3.225" Square Dummy - pair	\$50	\$60
R033.xxx.IPS	3.225" Square Passage - half pair		
R033.xxx.IDM	3.225" Square Dummy - half pair	25	30
R033.xxx.PV	3.225" Square Privacy - pair	50	60
R033.xxx.IPV	3.225" Square Privacy - half pair	25	30
R034.xxx.PS	5.25" Square Passage - pair		
R034.xxx.FD	5.25" Square Dummy - pair	90	100
R034.xxx.IPS	5.25" Square Passage - half pair		
R034.xxx.IDM	5.25" Square Dummy - half pair	45	50
R034.xxx.PV	5.25" Square Privacy - pair	90	100
R034.xxx.RPV (LPV)	5.25" Square Privacy - half pair	45	50
R035.xxx.PS	9.4" Square Passage - pair		
R035.xxx.FD	9.4" Square Dummy - pair	180	200
R035.xxx.IPS	9.4" Square Passage - half pair		
R035.xxx.IDM	9.4" Square Dummy - half pair	90	100
R035.xxx.PV	9.4" Square Privacy - pair	180	200
R035.xxx.RPV (LPV)	9.4" Square Privacy - half pair	90	100
R035.xxx.ENTR	9.4" Square Entry Kit - pair	325	345
R035.xxx.EGRK	9.4" Square Entry Egress Kit - Knob Adaptor		
R035.xxx.EGRL	9.4" Square Entry Egress Kit - Lever Adaptor	400	420

**Entry Kits:**

· Not sold in 030 Finish · Support 1 3/4" doors · Non-Egress: Must order knob/lever latch and desired knob or lever separately · Egress: Must order desired knob or lever separately. Can use 5399.xxx.C thick door kit if desired · Order 6502.009 adaptor & spindle separately. \* Entry and Egress sets: - not available in split finish- include cylinder and adjustable backset deadbolt - Entry function requires passage latch to be purchase separately\_ Egress Entry function includes adjustable backset latch.

## R036 – R038 Square Rope Rosettes

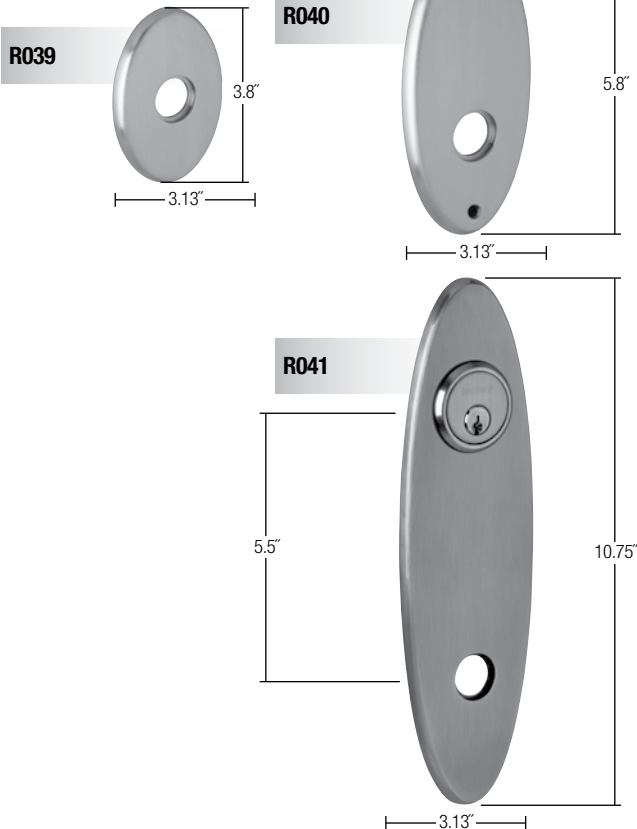


Item #	Description	030, 031		003, 402
		033, 034, 040	050, 060, 102	
		112, 150, 151	190, 260, 264	412, 452
R036.xxx.PS	3.225" Square Rope Passage - pair		\$50	\$60
R036.xxx.FD	3.225" Square Rope Dummy - pair			
R036.xxx.IPS	3.225" Square Rope Passage - half pair	25		30
R036.xxx.IDM	3.225" Square Rope Dummy - half pair			
R036.xxx.PV	3.225" Square Rope Privacy - pair	50		60
R036.xxx.IPV	3.225" Square Rope Privacy - half pair	25		30
R037.xxx.PS	5.25" Square Rope Passage - pair		90	100
R037.xxx.FD	5.25" Square Rope Dummy - pair			
R037.xxx.IPS	5.25" Square Rope Passage - half pair			
R037.xxx.IDM	5.25" Square Rope Dummy - half pair	45		50
R037.xxx.PV	5.25" Square Rope Privacy - pair	90		100
R037.xxx.RPV (LPV)	5.25" Square Rope Privacy - half pair	45		50
R038.xxx.PS	9.4" Square Rope Passage - pair		180	200
R038.xxx.FD	9.4" Square Rope Dummy - pair			
R038.xxx.IPS	9.4" Square Rope Passage - half pair			
R038.xxx.IDM	9.4" Square Rope Dummy - half pair	90		100
R038.xxx.PV	9.4" Square Rope Privacy - pair	180		200
R038.xxx.RPV (LPV)	9.4" Square Rope Privacy - half pair	90		100
R038.xxx.ENTR	9.4" Square Rope Entry Kit - pair	325		345

### Entry Kits:

· Not sold in 030 Finish · Support 1 3/4" doors · Non-Egress: Must order knob/lever latch and desired knob or lever separately · Egress: Must order desired knob or lever separately. Can use 5399.xxx.C thick door kit if desired · Order 6502.009 adaptor & spindle separately. \* Entry and Egress sets: - not available in split finish- include cylinder and adjustable backset deadbolt - Entry function requires passage latch to be purchase separately\_ Egress Entry function includes adjustable backset latch.

## R039 – R041 Oval Rosettes



Item #	Description	030, 031		003, 055
		033, 034, 040	050, 060, 102	
		112, 150, 151	190, 260, 264	056, 402
				412, 452
R039.xxx.PS	3.8" Oval Passage - pair		\$50	\$60
R039.xxx.FD	3.8" Oval Dummy - pair			
R039.xxx.IPS	3.8" Oval Passage - half pair	25		30
R039.xxx.IDM	3.8" Oval Dummy - half pair			
R039.xxx.PV	3.8" Oval Privacy - pair	50		60
R039.xxx.IPV	3.8" Oval Privacy - half pair	25		30
R040.xxx.PS	5.8" Oval Passage - pair		90	100
R040.xxx.FD	5.8" Oval Dummy - pair			
R040.xxx.IPS	5.8" Oval Passage - half pair			
R040.xxx.IDM	5.8" Oval Dummy - half pair	45		50
R040.xxx.PV	5.8" Oval Privacy - pair	90		100
R040.xxx.RPV (LPV)	5.8" Oval Privacy - half pair	45		50
R041.xxx.PS	10.75" Oval Passage - pair		180	200
R041.xxx.FD	10.75" Oval Dummy - pair			
R041.xxx.IPS	10.75" Oval Passage - half pair			
R041.xxx.IDM	10.75" Oval Dummy - half pair	90		100
R041.xxx.PV	10.75" Oval Privacy - pair	180		200
R041.xxx.RPV (LPV)	10.75" Oval Privacy - half pair	90		100
R041.xxx.ENTR	10.75" Oval Entry Kit - pair	325		345
R041.xxx.EGRK	10.75" Oval Entry Egress Kit - Knob Adaptor		400	420
R041.xxx.EGRL	10.75" Oval Entry Egress Kit - Lever Adaptor			

### Entry Kits:

· Not sold in 030 Finish · Support 1 3/4" doors · Non-Egress: Must order knob/lever latch and desired knob or lever separately · Egress: Must order desired knob or lever separately. Can use 5399.xxx.C thick door kit if desired · Order 6502.009 adaptor & spindle separately. \* Entry and Egress sets: - not available in split finish- include cylinder and adjustable backset deadbolt - Entry function requires passage latch to be purchase separately\_ Egress Entry function includes adjustable backset latch.

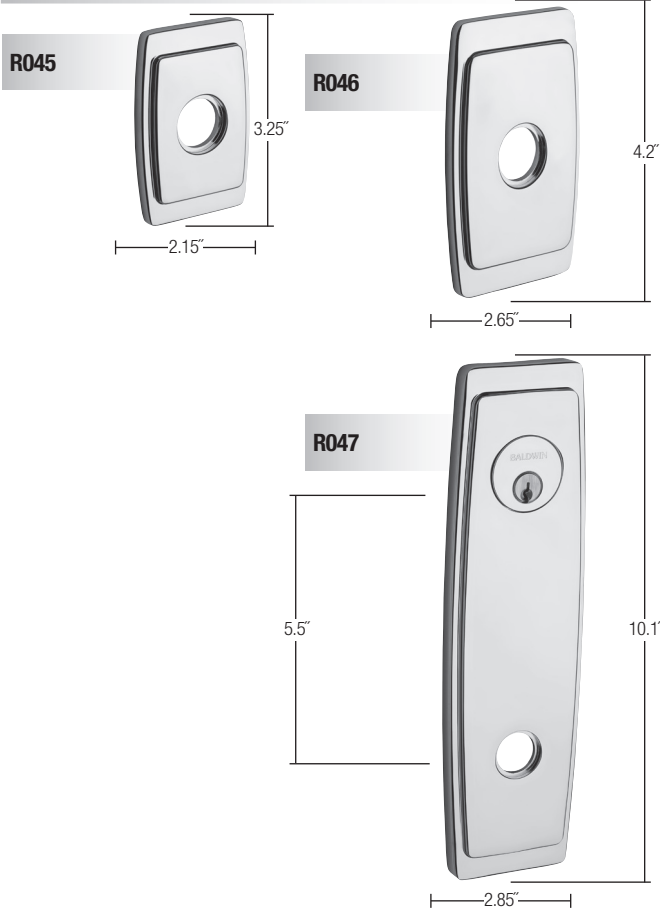


# ROSETTES SOLID BRASS

## R045 – R047 Mid-Century Rosettes

Coming August 2016

A LA CARTE KNOBS  
AND LEVERS



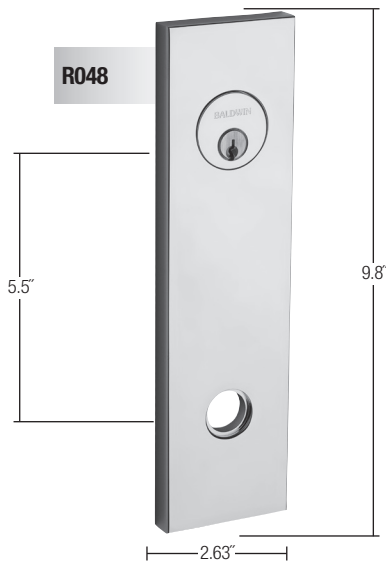
Item #	Description	030, 031	
		033, 034, 040 050, 060, 102 112, 150, 151 190, 260, 264	003, 055 056, 402 412, 452
R045.xxx.PS	2" Mid-Century Passage - pair	\$44	\$54
R045.xxx.FD	2" Mid-Century Dummy - pair		
R045.xxx.IPS	2" Mid-Century Passage - half pair	22	27
R045.xxx.IDM	2" Mid-Century Dummy - half pair		
R045.xxx.PV	2" Mid-Century Privacy - pair	44	54
R045.xxx.IPV	2" Mid-Century Privacy - half pair	22	27
R046.xxx.PS	2.625" Mid-Century Passage - pair	50	60
R046.xxx.FD	2.625" Mid-Century Dummy - pair		
R046.xxx.IPS	2.625" Mid-Century Passage - half pair	25	30
R046.xxx.IDM	2.625" Mid-Century Dummy - half pair		
R046.xxx.PV	2.625" Mid-Century Privacy - pair	50	60
R046.xxx.RPV (LPV)	2.625" Mid-Century Privacy - half pair	25	30
R047.xxx.PS	10" Mid-Century Passage - pair	180	200
R047.xxx.FD	10" Mid-Century Dummy - pair		
R047.xxx.IPS	10" Mid-Century Passage - half pair	90	100
R047.xxx.IDM	10" Mid-Century Dummy - half pair		
R047.xxx.PV	10" Mid-Century Privacy - pair	180	200
R047.xxx.RPV (LPV)	10" Mid-Century Privacy - half pair	90	100
R047.xxx.ENTR	10" Mid-Century Entry Kit - pair	325	345
R047.xxx.EGRK	10" Mid-Century Entry Egress Kit - Knob Adaptor	400	420
R047.xxx.EGRL	10" Mid-Century Entry Egress Kit - Lever Adaptor		

**Entry Kits:**

· Not sold in 030 Finish · Support 1 3/4" doors · Non-Egress: Must order knob/lever latch and desired knob or lever separately · Egress: Must order desired knob or lever separately. Can use 5399.xxx.C thick door kit if desired · Order 6502.009 adaptor & spindle separately. \* Entry and Egress sets: - not available in split finish- include cylinder and adjustable backset deadbolt - Entry function requires passage latch to be purchase separately\_ Egress Entry function includes adjustable backset latch.

## R048 Contemporary Rosettes

Coming August 2016

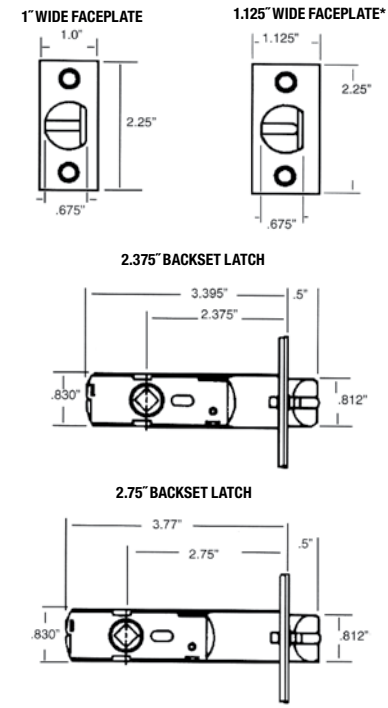
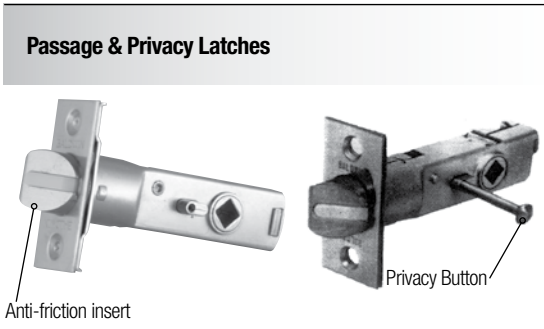


Item #	Description	030, 031	
		033, 034, 040 050, 060, 102 112, 150, 151 190, 260, 264	003, 055 056, 402 412, 452
R048.xxx.PS	9.8" Contemporary Passage - pair	180	200
R048.xxx.FD	9.8" Contemporary Dummy - pair		
R048.xxx.IPS	9.8" Contemporary Passage - half pair	90	100
R048.xxx.IDM	9.8" Contemporary Dummy - half pair		
R048.xxx.PV	9.8" Contemporary Privacy - pair	180	200
R048.xxx.RPV (LPV)	9.8" Contemporary Privacy - half pair	90	100
R048.xxx.ENTR	9.8" Contemporary Entry Kit - pair	325	345
R048.xxx.EGRK	10" Contemporary Entry Egress Kit - Knob Adaptor	400	420
R048.xxx.EGRL	10" Contemporary Entry Egress Kit - Lever Adaptor		

**Entry Kits:**

· Not sold in 030 Finish · Support 1 3/4" doors · Non-Egress: Must order knob/lever latch and desired knob or lever separately · Egress: Must order desired knob or lever separately. Can use 5399.xxx.C thick door kit if desired · Order 6502.009 adaptor & spindle separately. \* Entry and Egress sets: - not available in split finish- include cylinder and adjustable backset deadbolt - Entry function requires passage latch to be purchase separately\_ Egress Entry function includes adjustable backset latch.

A LA CARTE KNOBS  
AND LEVERS



Passage Latches				030, 031, 033, 034, 040, 050, 060 102, 112, 150, 151 152, 190, 260, 264	003 055 056
Item #	Description	Backset	Faceplate		
5510.xxx (ASA, .FLS)	Knob-Strength Passage latch	2.375"	1" w		
5512.xxx* (ASA)	Knob-Strength Passage latch	2.375"	1.125" w		
5513.xxx (ASA, .FLS)	Lever-Strength Passage latch	2.375"	1" w		
5515.xxx* (ASA)	Lever-Strength Passage latch	2.375"	1.125" w		
5520.xxx (ASA, .FLS)	Knob-Strength Passage latch	2.75"	1" w	\$55	\$60
5522.xxx* (ASA)	Knob-Strength Passage latch	2.75"	1.125" w		
5523.xxx (ASA, .FLS)	Lever-Strength Passage latch	2.75"	1" w		
5525.xxx* (ASA)	Lever-Strength Passage latch	2.75"	1.125" w		

Privacy Latches					
Item #	Description	Backset	Faceplate	Tier 1	Tier 2
5510.xxx.P (ASA, .FLS)	Knob-Strength Privacy latch	2.375"	1" w		
5512.xxx.P* (ASA)	Knob-Strength Privacy latch	2.375"	1.125" w		
5513.xxx.P (ASA, .FLS)	Lever-Strength Privacy latch	2.375"	1" w		
5515.xxx.P* (ASA)	Lever-Strength Privacy latch	2.375"	1.125" w		
5520.xxx.P (ASA, .FLS)	Knob-Strength Privacy latch	2.75"	1" w	\$55	\$60
5522.xxx.P* (ASA)	Knob-Strength Privacy latch	2.75"	1.125" w		
5523.xxx.P (ASA, .FLS)	Lever-Strength Privacy latch	2.75"	1" w		
5525.xxx.P* (ASA)	Lever-Strength Privacy latch	2.75"	1.125" w		

**Latches NOT available in Distressed finishes, non-distressed equivalents 402=102, 412=112, 452=152**

\*Latches with 1.125" wide faceplate commonly used for commercial applications  
Latches available with Standard strike (no suffix), ASA strike (.ASA) or Full Lip Strike (.FLS)  
Example: 5510.xxx = Standard strike  
5510.xxx.ASA = ASA strike  
5510.xxx.FLS = Full Lip Strike

**ALL INTERIOR LATCHES:**

- > Hub rotation only 28° for easy turning
- > Non-handed latches (reversible)
- > Fully adjustable fronts for use on beveled doors
- > Bolt head features anti-friction insert for smooth operation
- > Lever-Strength latches manufactured with heavy duty springs

**INCLUDED WITH INTERIOR LATCHES:**

- > Standard Box Strike (T-Strike)
- > ASA or Full Lip Strike also available at no charge – specify as follows:  
5510.xxx.ASA Latch x ASA Strike  
5510.xxx.FLS Latch x Full Lip Strike
- > Wood fasteners and template
- > Dust Box – 5510.000 (not included with .FLS & .ASA latches)
- > 3.5" spindle\*
- > Privacy Button (with Privacy Latches)

**NOTE:** For Doors 1.75" or thicker or use with escutcheon plates, a longer spindle is likely needed. See Spindle Chart on pg. 50.

**UL LISTED Estate Passage/Privacy**



Only select Estate passage and privacy sets have been certified by UL at this time. This is determined by the rose that is used on the particular set, along with the use of the Estate 6502.009 adaptor. Estate roses that meet the UL requirement when used in conjunction with the Estate 6502.009 adaptor are as follows:

5004	R004 PS/PV	R016 PS/PV	R027/R028/R029 PS/PV/ENTR
5075	R008 PS/PV	R017 PS/PV	R030/R031/R032 PS/PV/ENTR
5127	R010 PS/PV	R026 PS/PV	R033/R034/R035 PS/PV/ENTR
5149	R012 PS/PV		R036/R037/R038 PS/PV/ENTR
			R039/R040/R041 PS/PV/ENTR

**ORDERING:**

- 1.) Choose your Estate knob or lever pair
- 2.) Choose your Estate passage or privacy rose from the list above
- 3.) Choose your knob or lever latch
- 4.) Add the 6502.009 adaptor
- 5.) Choose the UL kit for Estate passage or privacy sets in the finish that matches your knob or lever latch: U5510.xxx

Note: all components from the passage/privacy kit must be used for UL certification

Item #	Description	030, 031, 033 034, 040, 050 060, 102, 112 150, 151, 152 190, 260, 264	003 055 056
U5510.xxx	UL Kit for Estate passage or privacy sets	\$20	\$25

**Included with each kit:**

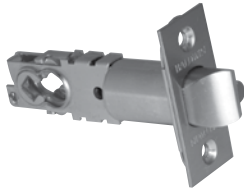
UL latch faceplate, Inside & Outside UL Shield, UL Retaining Ring

5019	5047	5070	5126	5142	5149
5021	5048	5076	5127	5145	5153
5033S	5053	5078	5129	5146	5158
5042	5058	5119	5133S	5147	5159
5046	5059	5123	5134	5148	

# INTERIOR & ENTRANCE HARDWARE LATCHES AND SPARE PARTS

A LA CARTE KNOBS  
AND LEVERS

## 5210 & 5300 Replacement Latches



### Universal Deadlocking Latch for Keyed Entry

Item #	Adjustable Backset	Front Length	Front Width	Description	
5210.xxx	2.375" (60mm)	2.25" (57mm)	1" (25mm)	Deadlocking Latch Bolt	\$45
	2.75" (70mm)				

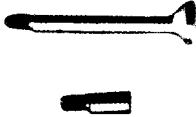
**FEATURES:** Latch bolts have a .5" throw, are reversible and can be used on beveled doors. Latches are supplied with 1" (25mm) face plates.

**PACKED:** One per box with strike, fasteners and template

### Adjustable Latch for Tubular Handlesets

Item #	Description		
5300.xxx.9	Adjustable Latch	\$40	\$43

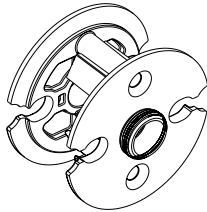
## 5510.xxx.0030 – Privacy Button



Item #	Description		
5510.xxx.0030	Privacy Button – All Knob-Strength latches	\$10	\$15
5199.000	Privacy Button Extender	\$5	—

Furnished with all privacy tubular latch sets (latches ordered .P)  
Use to extend length of privacy button in applications where hardware is installed on doors over 1.75" thick and/or with escutcheon plates thicker than .25"

## 6502.009 2.125" Pre-Drilled Door Adaptor



Item #	Description	
6502.009	2.125" Pre-drilled door adaptor	\$10

- >Retrofits all 2.125" pre-bored doors allowing for Estate knob/lever installation
- >Works with full dummy (requires 5090.020A on page 50), passage and privacy functions
- >Must use 2.625" or larger diameter rose/escutcheon to cover adaptor.  
Requires Spindle, sold separately

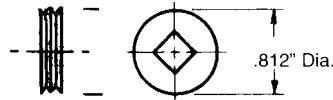
NOTE: This adaptor MUST be used if doors are pre-drilled

## Spare Parts

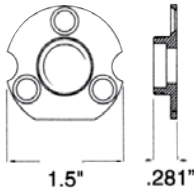
### 1327.009 Set Screws



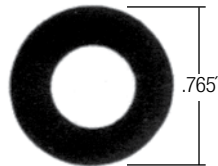
### 5084.009.0002 Dummy Trim Plate



### 5097.009.N Active Trim Back Plate



### 5085.000 Graphite Impregnated Nylon Spacer



Item #	Description	Price
1327.009	Set Screws	\$1
5084.009.0002	Dummy Trim Plate	2
5085.000	Graphite Impregnated Nylon Spacer	1
5097.009.N	Active Trim Back Plate (each)	8

### 1327.009 – Set Screws

- >Included with ALL Estate knobs and levers
- >0.25" Black Oxide

### 5084.009.0002 – Dummy Trim Plate

- >This plate can be ordered separately to convert other finishes of screw covers to a rigid mounting installation.

### 5097.009.N – Active Trim Back Plate

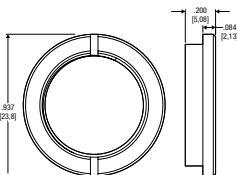
- >For use with ALL Estate active roses

### 5085.000 – Graphite Impregnated Nylon Spacer

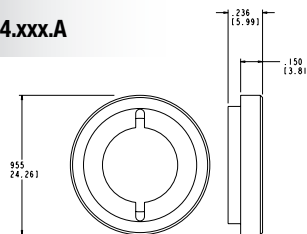
- >Included with all Privacy rosettes
- >Eliminates end play of trim and assures smooth operation

## Rose Retainers

### 5197.xxx



### 5194.xxx.A



Item #	Description	Price
5197.xxx	Rose Retainer	
5194.xxx.A	Rose Retainer Small Shank	\$3

### 5197.xxx – Rose Retainer

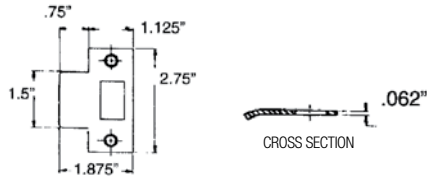
- >Rose Retainers furnished standard with all roses.
- >Finishes:
  - 000 for 003, 030, 031, 033, 050, 060, 040
  - 190 for 102, 112, 151, 190, 402, 412, 452
  - 264 for 260, 264, 150, 140, 055, 056

### 5494.xxx.A – Rose Retainer Small Shank

- >Only available in finishes 019, 140, 150, 151, 190, 221

**5510.TSTR – Standard Box Strike (T Strike)**

Included with all Passage & Privacy Latches



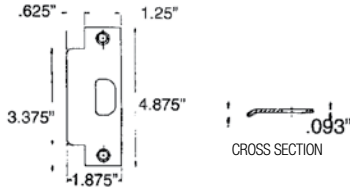
Item #	Description	030, 031, 033 034, 040, 050 060, 102, 112 150, 151, 152 190, 260, 264	003 055 056
5510.xxx.TSTR	Standard Box Strike (Included with all Passage & Privacy Latches)	\$15	\$20

**LIP TO CENTER DIMENSION (LTC):** 1.312" (33mm)

**DUST BOX:** furnished unattached (55100)

**TEMPLATE:** metal frames to be prepared in accordance with ANSI standard A115.2

**5510.ASTR – ASA strike**



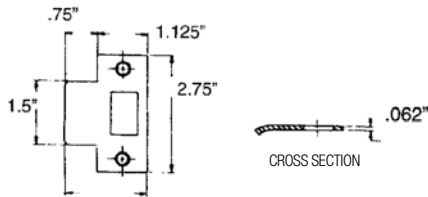
Item #	Description	030, 031, 033 034, 040, 050 060, 102, 112 150, 151, 152 190, 260, 264	003 055 056
5510.xxx.ASTR	ASA Strike	\$15	\$20

**LTC:** 1.25" (32mm)

**DUST BOX:** not furnished

**Template:** metal frames to be prepared in accordance with ANSI standard A115.2

**5510.E158, .E178, .E214 – Extended T strike**



Item #	Description	030, 031, 033 034, 040, 050 060, 102, 112 150, 151, 152 190, 260, 264	003 055 056
5510.xxx.E158	Extended Lip Box Strike – 1.625" LTC		
5510.xxx.E178	Extended Lip Box Strike – 1.875" LTC	\$15	\$20
5510.xxx.E214	Extended Lip Box Strike – 2.25" LTC		

**LTC:** 5510.xxx.E158 – 1.625" (41mm)

**LTC:** 5510.xxx.E178 – 1.875" (48mm)

**LTC:** 5510.xxx.E214 – 2.25" (57mm)

**DUST BOX:** not furnished (use dust box provides with standard T strike)

**5510.FSTR – Full lip strike**

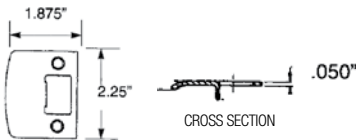


Item #	Description	030, 031, 033 034, 040, 050 060, 102, 112 150, 151, 152 190, 260, 264	003 055 056
5510.xxx.FSTR	Full Lip Strike	\$15	\$20

**LTC:** 1.125" (29mm)

**DUST BOX:** not available

**5300.EFLS – Extended full lip strike (ONLY SIZE AVAILABLE)**

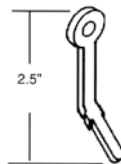
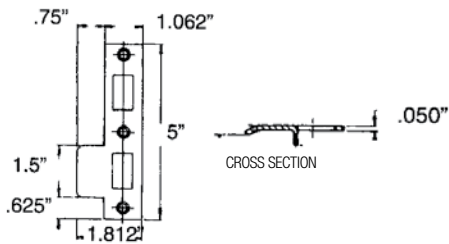


Item #	Description	030, 031, 033 034, 040, 050 060, 102, 112 150, 151, 152 190, 260, 264	003 055 056
5300.xxx.EFLS	Extended Full Lip Strike	\$15	\$20

For 2" (51mm) and 2.25" (57mm) thick doors or when trim condition necessitates a larger strike  
Can also be used with Estate handlesets and interior sets

**LTC:** 1.375" (35mm).

**5528.R (L) – Combination privacy strike – ESCUTCHEON**



0417 Emergency Key

Item #	Description	030, 031, 033 034, 040, 050 060, 102, 112 150, 151, 152 190, 260, 264	003 055 056
5528.xxx.R (L)	Combination Privacy Strike	\$15	\$20

**LTC:** 1.28" (33mm), other lengths not available

**FEATURES:** Permits use of 5500 series tubular latches and 0413 or 0418 mortise bolts with KT and KE escutcheon trim

Strike is designed with a curved lip, so proper hand of door is required

Furnished with 0417 Emergency key standard

**DUST BOX:** Boxes furnished with tubular latches/mortise bolts can be used in combination with strike

**NOTE:** handling of strike is based on latch bolt being installed below deadbolt

**5510.000 – Dust box**



Item #	Description	030, 031, 033 034, 040, 050 060, 102, 112 150, 151, 152 190, 260, 264	003 055 056
5510.000.TSTR	Dust box for use with 5510.xxx.TSTR strike		
5510.000.FSTR	Dust box for use with 5510.xxx.FSTR strike	(000 finish only)	\$5

Conceals installation marks and cutouts

**Strikes NOT available in Distressed finishes, non-distressed equivalents 402=102, 412=112, 452=152**

# INTERIOR & ENTRANCE HARDWARE SPINDLES

A LA CARTE KNOBS  
AND LEVERS

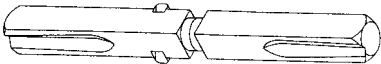
## 0509 - 0516 Broached Straight Spindles – PASSAGE



Item #	Description	Size
0509.004	Broached straight	3"
0510.004	Broached straight	3.5"
0511.004	Broached straight	4"
0512.004	Broached straight	4.5"
0513.004	Broached straight	5"
0514.004	Broached straight	5.5"
0515.004	Broached straight	6"
0516.004	Broached straight	7"

\$12

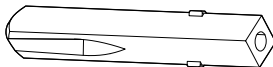
## 0509 - 0516 Broached Swivel Spindles – PRIVACY



Item #	Description	Size
0519.004	Broached swivel	3"
0520.004	Broached swivel	3.5"
0521.004	Broached swivel	4.5"
0522.004	Broached swivel	4"
0523.004	Broached swivel	5"
0524.004	Broached swivel	5.5"
0525.004	Broached swivel	6.5"

\$16

## 0530 - 0533 Broached Half Spindles – FRONT DOOR (thumbpiece to knob or lever)



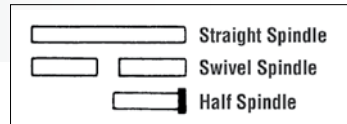
Item #	Description	Size
0530.004	Broached half	2.375"
0531.004	Broached half	2.875"
0532.004	Broached half	3.375"
0533.004	Broached half	2.25"
0539.004	Broached half	2.625"

\$12

>For mounting all current Estate knobs and levers to thumbpiece of handlesets

>Included with all 'set' orders

## SPINDLE CHART & KEY



Door Thickness	1.375"		1.75"		2"		2.25"		2.5"	
	Spindle	Half Spindle	Spindle	Half Spindle	Spindle	Half Spindle	Spindle	Half Spindle	Spindle	Half Spindle
<b>A</b> - .0625"	3.5"	2.25"	4"	2.25"	4"	2.25"	4.5"	2.25"	4.5"	2.375"
<b>B</b> - .0937"	3.5"	2.25"	4"	2.25"	4"	2.25"	4.5"	2.25"	4.5"	2.375"
<b>C</b> - .125"	3.5"	2.25"	4"	2.25"	4.5"	2.25"	4.5"	2.25"	5"	2.375"
<b>D</b> - .1875"	3.5"	2.25"	4"	2.25"	4.5"	2.25"	4.5"	2.375"	5"	2.375"
<b>E</b> - .25" Estate Roses	3.5"	2.25"	4"	2.25"	4.5"	2.25"	4.5"	2.375"	5"	2.875"
<b>F</b> - .3125"	4"	2.25"	4.5"	2.25"	4.5"	2.375"	5"	2.375"	5"	2.875"
<b>G</b> - .375"	4"	2.25"	4.5"	2.25"	5"	2.375"	5"	2.875"	5.5"	2.875"
<b>H</b> - .435"	4.5"	2.25"	4.5"	2.375"	5"	2.375"	5"	2.625"	5.5"	2.875"
<b>I</b> - .56"	4.5"	2.25"	5"	2.375"	5"	2.625"	5.5"	2.625"	5.5"	2.875"
<b>J</b> - .75"	5"	2.625"	5.5"	2.875"	5.5"	2.875"	6"	2.875"	6"	2.875"

## .A SUFFIX TRANSITIONAL SPINDLES (OLD STYLE):

For use with all discontinued Estate **threaded** knobs & levers, as well as all current Estate knobs and levers

### Transitional Straight Spindles – Passage

Item #	Description	Size
0509.004.A	Transitional straight	3"
0510.004.A	Transitional straight	3.5"
0511.004.A	Transitional straight	4"
0512.004.A	Transitional straight	4.5"
0513.004.A	Transitional straight	5"
0514.004.A	Transitional straight	5.5"
0515.004.A	Transitional straight	6"
0516.004.A	Transitional straight	7"

\$17

### Transitional Swivel Spindles – Privacy

Item #	Description	Size
0519.004.A	Transitional swivel	3"
0520.004.A	Transitional swivel	3.5"
0521.004.A	Transitional swivel	4.5"
0522.004.A	Transitional swivel	4"
0524.004.A	Transitional swivel	5.5"
0525.004.A	Transitional swivel	6.5"

\$21

### Transitional Half Spindles – Front Door (thumbpiece to knob or lever)

Item #	Description	Size
0530.004.A	Transitional half	2.375"
0531.004.A	Transitional half	2.875"
0532.004.A	Transitional half	3.375"
0533.004.A	Transitional half	2.25"

\$17

NOTE: Baldwin Estate spindles are 7.28mm unless noted otherwise.

BALDWIN

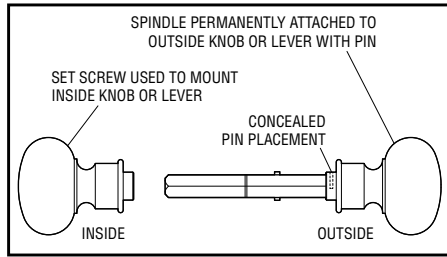


# INTERIOR & ENTRANCE HARDWARE PINNED AND DUMMY SPINDLES

A LA CARTE KNOBS  
AND LEVERS

## Knob/Lever Pinning:

Definition: Pinning is a permanent attachment of the outside knob or lever to the spindle. Outside levers typically are pinned for added security in public commercial settings.



## All Baldwin levers meet ADA standards.

Pinning Charge for Estate passage or privacy sets (pair) \$65  
Included with .MRPN cost

## ORDER:

1. Knobs or Levers & Finish

## SPECIFY FOR REFERENCE ONLY:

2. Door thickness
3. Trim to be used
4. Handing of the outside lever, if applicable
5. Spindle (included)

For pinning orders, we recommend calling Customer Service

## Dummy Spindles – Rosettes

Half



Full



Item #	Description	
5098.004.N	Half Dummy Back Plate	\$8
5098.009.N	Full Dummy Back Plate	8
5098.004.A	Transitional Half Dummy Back Plate	13

### 5098.004.N – Half Dummy Spindle

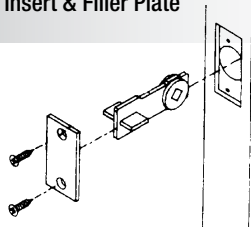
- > Half dummy surface mounting for all current Estate knobs and levers
- > Rose threads onto adaptor
- > Included with roses ordered .IDM
- > If surface mounting is problematic (ie. hollow core doors) please order Rigid Mounting Spindle (5084.xxx) – shown below

**NOTE:** 5098.004.A Transitional spindle for discontinued threaded knobs & levers, as well as all current Estate knobs and levers.

### 5098.009.N – Full Dummy Adaptor

- > Rose threads onto adaptor
- > For all current Estate knobs and levers
- > Two adaptors included with roses ordered .FD
- > Spindle ordered separately

## Dummy Insert & Filler Plate

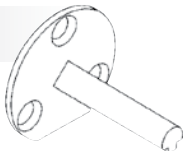


Item #	Description	
5090.020.A	Dummy insert & filler plate	\$18

- >Used with 6502.009 adaptor to enable full dummy mounting
- >Conceals face plate cut-out in edge of door

## Dummy Spindles & Adaptors – Escutcheon

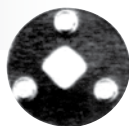
Half



### 5077, 5091, 5092 – Half Dummy Spindle

- >For mounting all current Estate knobs and levers to Escutcheon plates
- >5092 for most escutcheons
- >5077 for thick escutcheons:  $\geq .75$ " thick (eg. Hamilton & Tremont)
- >5091 for thin escutcheons:  $\leq .1$ " thick (eg. Boston, San Diego, etc.)

Full



### 5099.004 – Full Dummy Adaptor

- >For mounting escutcheons on Full Dummy applications (2 needed)
- >1.175" diameter (30mm)
- >Spindle ordered separately

Item #	Description	Size	
5077.004	Half Dummy Spindle	1.5"	
5091.004	Half Dummy Spindle	0.875"	\$13
5092.004	Half Dummy Spindle	1.125"	
5099.004	Full Dummy Adaptor	1.175"	5

## .A SUFFIX TRANSITIONAL SPINDLES: (OLD STYLE):

For use with all discontinued Estate **threaded** knobs & levers, as well as all current Estate knobs and levers

## Transitional Half Dummy Spindles – ESCUTCHEON

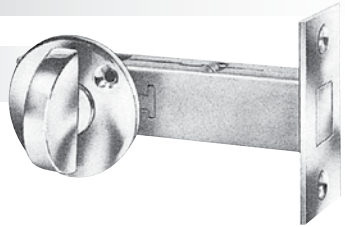
Item #	Description	Size	
5077.004.A	Half Dummy Spindle	1.5"	
5091.004.A	Half Dummy Spindle	.875"	\$13
5092.004.A	Half Dummy Spindle	1.125"	

# INTERIOR & ENTRANCE HARDWARE PRIVACY MORTISE BOLTS

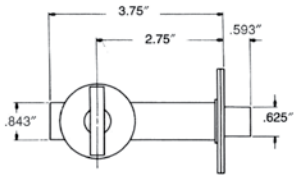
A LA CARTE KNOBS  
AND LEVERS

## Mortise Bolt, Tubular Design

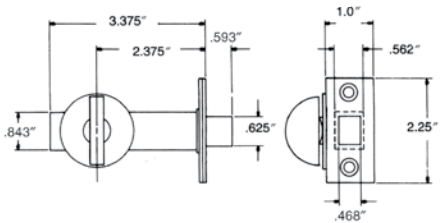
0413



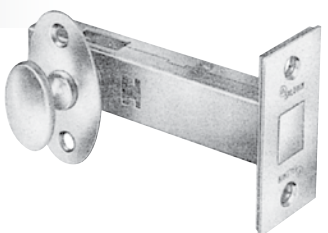
0413.xxx – 2.75" Backset Mortise Bolt



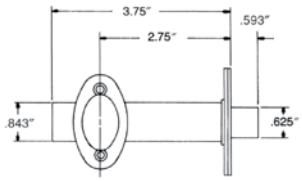
0418.xxx – 2.375" Backset Mortise Bolt



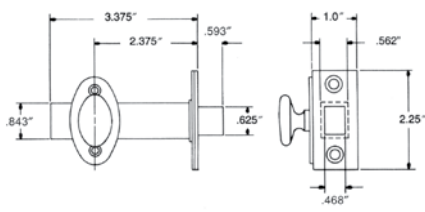
0419



0414.xxx – 2.75" Backset Mortise Bolt



0419.xxx – 2.375" Backset Mortise Bolt



030, 031  
033, 034, 040  
050, 060, 102  
112, 150, 151  
190, 260, 264

Item #	Description	Backset	Wt.	030, 031 033, 034, 040 050, 060, 102 112, 150, 151 190, 260, 264	003, 055 056, 402 412, 452
0413.xxx	Contemporary Mortise Bolt	2.75"	0.6	\$75	\$80
0414.xxx	Traditional Mortise Bolt	2.75"			
0418.xxx	Contemporary Mortise Bolt	2.375"	0.5		
0419.xxx	Traditional Mortise Bolt	2.375"			

- > Heavy duty solid brass mortise bolt with steel housing
- > Smooth and positive action
- > Use with tubular latches for privacy/patio condition
- > May be installed above or below latches, depending upon visibility
- > Emergency release trim available at additional charge
- > Available Less Turn Piece (.LTP) – see next page to select a Turn Piece

IMPORTANT: To enable emergency trim to function, the turn piece spindle must be cut to extend no farther than halfway through the bolt

PACKED: One in a box with necessary fasteners and template

FSE: BHMA Designation: LO4121

## 0413 & 0418.LTP Less Turn Piece



Order Turn Piece separately (next page)

030, 031  
033, 034, 040  
050, 060, 102  
112, 150, 151  
190, 260, 264

Item #	Description	Backset	Wt.	030, 031 033, 034, 040 050, 060, 102 112, 150, 151 190, 260, 264	003, 055 056, 402 412, 452
0413.xxx.LTP	Mortise Bolt – Less Turn Piece	2.75"	0.4	\$30	\$35
0418.xxx.LTP	Mortise Bolt – Less Turn Piece	2.375"			

Mortise Bolts .LTP not available in Distressed finishes, non-distressed equivalents:  
402=102, 412=112, 452=152\*

## Turn Pieces w/ Backplates

030, 031  
033, 034, 040  
050, 060, 102  
112, 150, 151  
190, 260, 264

003, 055  
056, 402  
412, 452

**6728**

**6732**

**6733**

**6734**

**6750**

**6751**

**6756**

Item #	Description		
6728.xxx			
6732.xxx			
6734.xxx			
6750.xxx	Turn Piece		
6751.xxx	(Will accommodate doors up to 2.25")	\$65	\$70
6756.xxx			
6764.xxx			

For doors thicker than 2.25" order turn pieces as .EXT.      75      80

**6728-6764.xxx – Turn Piece w/ Backplates**  
> For interior & exterior mortise locks, tubular bolts and sectional trim

6733.xxx	Turn Piece		
6760.xxx	(Will accommodate doors up to 3")	\$65	\$70
6762.xxx			

For doors thicker than 3" order turn pieces as .EXT.      75      80

**6760**

**6762**

**6764**

**NOTE:** Turn piece spindles are .1875" across.

# INTERIOR & ENTRANCE HARDWARE

## TURN KNOBS

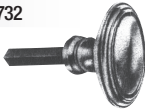
### Turn Knobs

A LA CARTE KNOBS  
AND LEVERS

**6720**  
Turn Knob for 6750



**6725**  
Turn Knob for 6732



**6721**  
Turn Knobs for 6751 & 6756



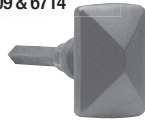
**6727**  
Turn Knob for 6732



**6722**  
Turn Knob for 6728



**6729**  
Turn Knob for 6709 & 6714



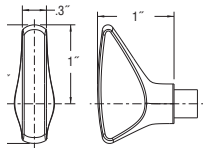
**6724**  
Turn Knobs for 6764 & 6710



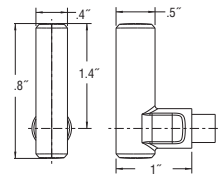
**6735**



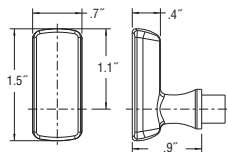
**TK001**



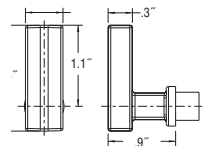
**TK002**



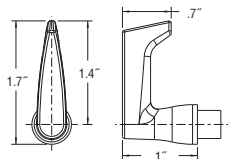
**TK003**



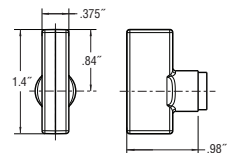
**TK004**



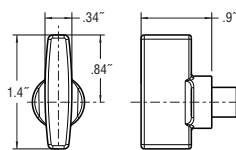
**TK005**



**TK006**



**TK007**



Coming August 2016

Item #	Description	Matching Turn Piece	030, 031 033, 034, 040 050, 060, 102 112, 150, 151 190, 260, 264	003, 055 056, 402 412, 452
6720.xxx	Turn Knob	6750		
6721.xxx	Turn Knob	6751 & 6756		
6722.xxx	Turn Knob	6728		
6724.xxx	Turn Knob	6764 & 6710	\$35	\$40
6725.xxx	Turn Knob	6732		
6727.xxx	Turn Knob	6734		
6729.xxx	Turn Knob	6709 & 6714		

#### 6720-6729.xxx – Turn Knobs

- > For interior & Exterior Trim trim or combined with ER trim to create a custom Turn Piece
- > For doors up to 2.25" thick
- > For doors thicker than 2.25", order .EXT – Extended Turn Knob eg. 6720.xxx.EXT
- > 10% up charge for assembly of non-standard turn knobs on escutcheon plates.

6735.xxx#	Turn Knob	6733, 6760, 6762	\$35	\$40
TK001.xxx	Turn Knob			
TK002.xxx	Turn Knob			
TK003.xxx	Turn Knob		35	40
TK004.xxx	Turn Knob			
TK005.xxx	Turn Knob			
TK006.xxx	Turn Knob			
TK007.xxx	Turn Knob			
Turn Knobs above .EXT (for doors thicker than 2.25")			40	45

#### 6735 Turn Knob will fit up to 3" thick doors (.EXT not necessary)

NOTE: All Turn Knobs may be used with Trim & Key Sets (page 54), or with any Emergency Egress (KE) mortise trim set. C510.509.00095 is required (\$1 NET)

NOTE: Turn piece spindles are .1875" across.

BALDWIN

# INTERIOR & ENTRANCE HARDWARE EMERGENCY RELEASE (ER) TRIM/BACKPLATE

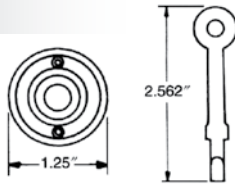
A LA CARTE KNOBS  
AND LEVERS

## Trim & Key Set

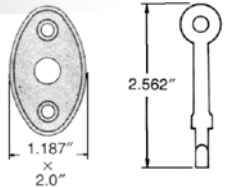
All Trim sets come with Emergency Release Key

030, 031  
033, 034, 040  
050, 060, 102  
112, 150, 151  
190, 260, 264  
003, 055  
056, 402  
412, 452

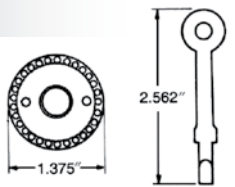
**0403**



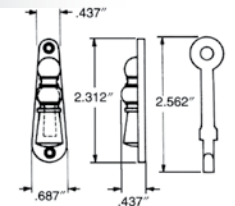
**0404**



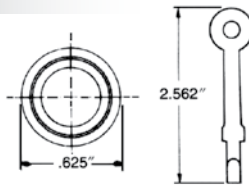
**0405**



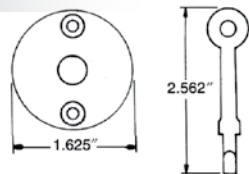
**0406**



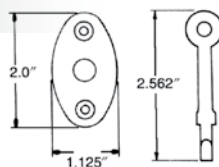
**0407**



**0415**



**0416**

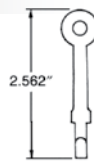


Item #	Description		
0403.xxx	Emergency Release Trim & 0417 Key w/ 6701 Cover		
0404.xxx	Emergency Release Trim & 0417 Key w/ 6701 Cover		
0405.xxx	Emergency Release Trim & 0417 Key w/ 6701 Cover		
0406.xxx	Colonial Emergency Release Trim & Key	\$40	\$45
0407.xxx	Emergency Release Trim & 0417 Key w/ 6701 Cover		
0415.xxx	Emergency Release Trim & 0417 Key w/ 6701 Cover		
0416.xxx	Emergency Release Trim & 0417 Key w/ 6701 Cover		
0421.xxx	Contemporary Round Emergency Release Trim & 0417 Key w/ 6701 Cover (Stainless Steel)		
0422.xxx	Lakeshore Emergency Release Trim & 0417 Key w/6701 Cover	\$40	\$45
0423.xxx	2' x 2' Square Emergency Release Trim & 0417 Key w/6701 Cover		
0417.022	Emergency Release Key – Steel	Finish 022 only	6
5174.022	Emergency Key Supplied w/5500 Series Privacy Latches - Steel	Finish 022 only	6
6701.xxx	Emergency Release Cover	10	15
6703.xxx	Emergency Key – Bit Key (Solid brass key for mortise bolts and privacy function mortise locks)	35	35

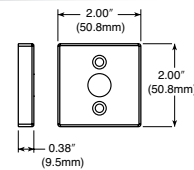
### 6701.xxx – Emergency Release Cover

FEATURES: Pressure applied cover  
Conceals emergency release opening on privacy lock function.  
Designed for use with escutcheon or emergency release trim.

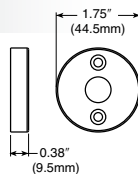
**0417.022**



**0423**

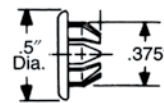


**0421**

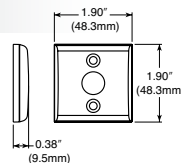


**6701**

Emergency Release Cover



**0422**



**6703.xxx**

Emergency Bit Key



**IMPORTANT:** To enable emergency trim to function, the turn piece must be cut to extend no farther than halfway through the bolt.



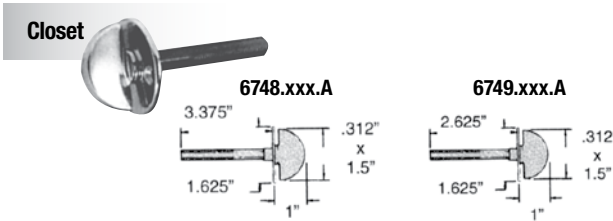
# INTERIOR & ENTRANCE HARDWARE

## SPARE PARTS

### Half Dummy Rigid Mounting Closet Spindle



Half



Closet

Item #	Description	Spindle Length	Door Thickness	030, 031	003, 055
				033, 034, 040 050, 060, 102 190, 260, 264	056, 402 412, 452
5084.xxx.A	Half Dummy Rigid Mounting	2.25"	1.375"	\$30	\$35
6748.xxx.A	Closet Spindle	3.375"	1.75"	45	50
6749.xxx.A	Closet Spindle	2.625"	1.375"		

#### 5084.xxx – Half Dummy Rigid Mounting Spindle – ROSES

- > Optional mounting in place of 5098.004.N for a more secure mounting
- > Through-bolt application ideal for hollow core doors or where surface mounting is not recommended

#### 6748-6749.xxx.A – Closet Spindle

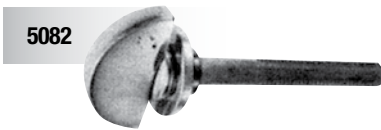
- > For the inside of closets and low frequency use doors
- > Installation is identical to standard trim designs
- > For 2.125" pre-drilled doors, use 5081 closet spindle with 6502.009 adaptor, See Pre-drilled Doors Accessories

CAUTION: Closet spindles are difficult to turn and should not be used where children, aged, or physically-handicapped people may lock themselves within a small space

### 5081 & 5082 Closet Spindles – Pre-drilled Doors



5081



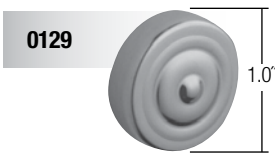
5082

Item #	Description	Spindle length	Door thickness	030, 031	003, 055
				033, 034, 040 050, 060, 102 112, 150, 151 190, 260, 264	056, 402 412, 452
5081.xxx.A	Closet Spindle	2.625"	1.375"	\$45	\$50
5082.xxx.A	Closet Spindle	3.375"	1.75"		

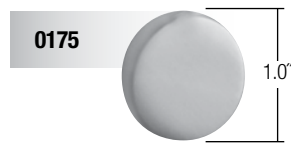
- > For the inside of closets and low frequency use doors
- > Mounts with 6502.009 Adaptor for pre-bored doors only

CAUTION: Closet spindles are difficult to turn and should not be used where children, aged, or physically-handicapped people may lock themselves within a small space

### Screw Covers Specially designed to conceal the screw head



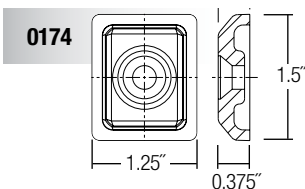
0129



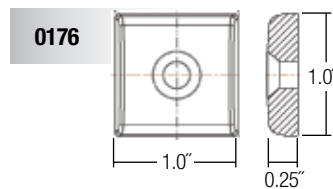
0175

Item #	Description	030, 031, 033	003, 055
		034, 040, 050 060, 102, 112 150, 151, 152 190, 260, 264	056, 402 412, 452
0129.xxx	Colonial Screw Cover	\$14	\$18
0175.xxx	Contemporary Screw Cover		

### Screw Bases Rectangular & Lakeshore



0174



0176

Item #	Description	030, 031, 033	003, 055
		034, 040, 050 060, 102, 112 150, 151, 152 190, 260, 264	056, 402 412, 452
0174.xxx	Rectangular Screw Base	\$27	\$31
0176.xxx	Lakeshore Screw Base		

#### 0174.xxx – Rectangular Screw Base

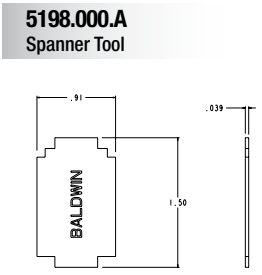
- > Specially designed screw base

#### 0176.xxx – Lakeshore Screw Base

- > Specially designed screw cover conceals the screw head

**Installation Tools**

Item #	Description	Price
5198.000.A	Spanner Tool	\$3
8474.000	Aligning Bushing (box of 50)	15
8480.000	Aligning Tool & Bushing	12
8481.509.001	Socket Wrench	8



**5198.000.A – Spanner Tool**  
 >One Spanner Tool furnished with all roses/except.

**8474.000 – Aligning Bushing**  
 >Box of 50

**8480.000 – Aligning Tool & Bushing**  
 >For use in proper alignment of knobs/levers and roses with mortise locks and tubular latches.

**8481.509.01105 – Socket Wrench**  
 >For all knob and lever installations



INTERIOR & ENTRANCE HARDWARE  
**TUBULAR LATCH INSTALLATION W/ALIGNING BUSHING**

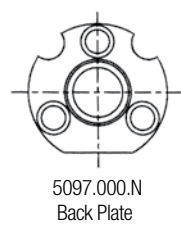
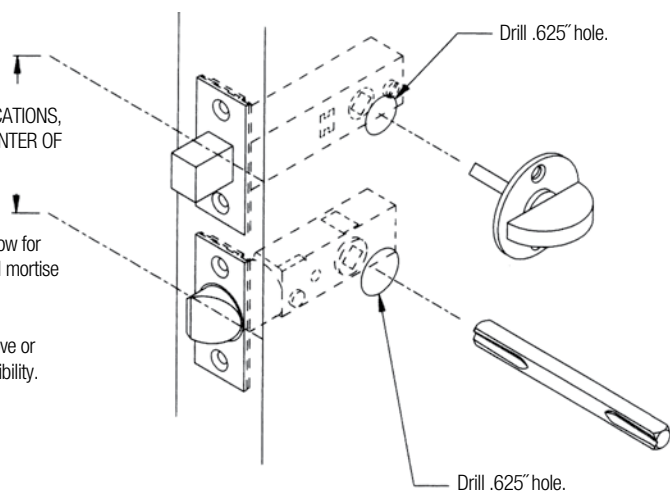
\*NOTE: IN SEPARATE MOUNTING APPLICATIONS, THE MINIMUM DISTANCE BETWEEN CENTER OF BOLTS IS 2.75".

\*This minimum distance is required to allow for proper clearance between latch bolt and mortise bolt strikes (T-Strikes).

NOTE: Mortise bolt may be installed above or below tubular latch, depending upon visibility.



**8474.000**  
Alignment Bushing



**5097.000.N**  
Back Plate

Use of 8474.000 Aligning Bushing will facilitate installation of trim. Trim must be in alignment with latch and spindle to prevent binding.

- A. Install latch and strike per template instructions.
- B. Insert spindle through latch.
- C. Position 5097.009 Back Plates over spindle and insert 8474.000 Alignment Bushings.
- D. Center mark and install screws into back plates and remove 8474.000 Alignment Bushings.
- E. Install trim.

MORTISE BOLT INSTALLATION

When installing mortise bolts, ALWAYS check width of Emergency Release Trim before drilling face bore. Standard bore is .625" (16mm) completely through door. Emergency Release Trim 0406 and 0407 require a .5" (13mm) bore on outside face of door; a .625" (16mm) bore on inside face of door.

IMPORTANT: When Emergency Release Trim is used, the turn piece spindle must be cut to extend no farther than halfway through the bolt.

# COMMUNICATING DOORS HOSPITALITY

A LA CARTE KNOBS  
AND LEVERS

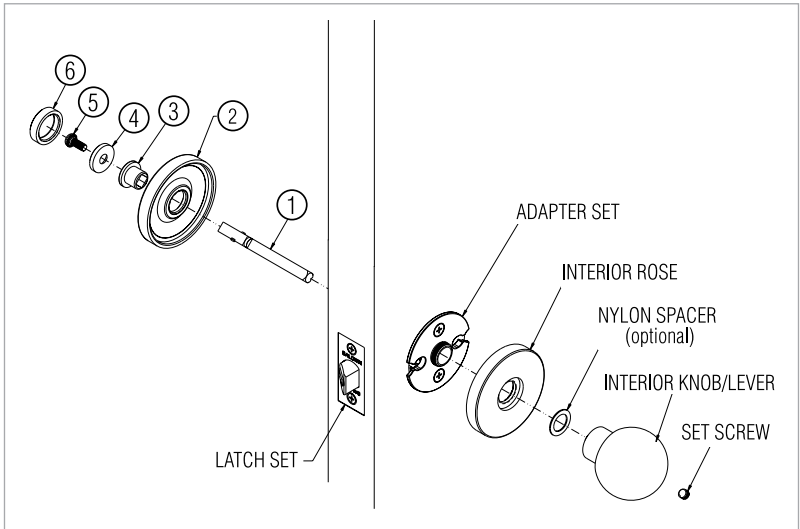
- **Communicating Door Kit:** For use in conjunction with Baldwin patio deadbolt  
Includes: swivel spindle, rose and screw cover for oppsite side of Communicating Door
- Function: Security between (hotel) rooms with limited space between doors
- Communicating door side compatible with any LARGE thread-on rose style (5048 rose included)
- Immediate availability in standard Estate finishes

Commonly found between two hotel rooms where a functional latch is still required, and limited space between doors does not allow for trim to be installed on exterior sides.

Security between rooms is accomplished with a standard patio dead bolt. Latch & trim offer normal passage functionality on interior, while completing the aesthetic requirement of a complete trim set on the door.

Door kits include components needed to complete communicating door installation:

- >Estate 5048 thread-on passage rose and 0129 screw cover
- >Components 1 – 6 shown below
- >Kits designed to work with standard communicating door thickness of 1.75"
- >6502.009 adaptor, latch, knob/lever are not included in kit.



- 1) 0529.028.T5212 Swivel Spindle Assembly
- 2) 5048.150.05102 Rose
- 3) 8480.800.00015 Alignment Bushing
- 4) 0129.039.00025 Back Plate
- 5) 1141.028.00009 10-32 X 1/2 Bolt
- 6) 0129.150.00015 Colonial Screw Cover

LIST PRICING

SKU	Tier 1	Tier 2
5187.xxx	\$68	\$73



# TRIMS FOR EUROPEAN MORTISE LOCKS





Baldwin Estate now offers homeowners the ultimate in design inspiration for Euro-Mortise mechanics. Bring your vision to life by choosing a lever, and complement with a Rosette. The mechanics within the rosette will ensure the luxurious feel and long lasting quality of Baldwin hardware.

- European Mortise Locks are most common outside North America and typically use a profile cylinder installed below the lever.
- Baldwin does not manufacture European Mortise Locks. However, Baldwin’s Sectional Trim for European Mortise Locks are compatible with 58mm, 72mm, and 85mm locks using an 8mm square spindle.
- European Mortise Trims are distinguished with an “E” after the style number (example 5162E.xxx.MR).
- European Mortise Rosettes contain a spring cartridge to assist operation with Baldwin’s heavy brass levers.
- European Mortise Levers are laser engraved with the Baldwin brand name.

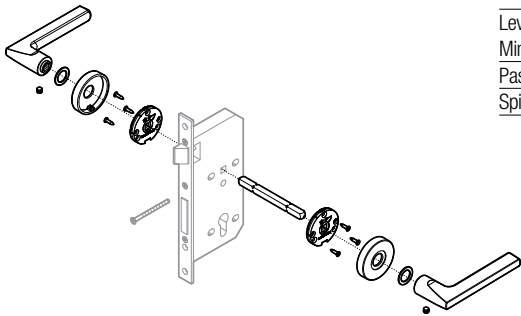
## Specifications

> Meets EN 1906 as 47-0030A, as described below: Durability: Grade 7 > 200,000+ cycles (Highest cycle rating under the European code)

Category of Use: Grade 4 > High frequency of use on door which are subject to frequent violent usage Corrosion Resistance grade: Grade 3 > High resistance

## ORDERING & INSTALLATION

### Passage w/ Rosette Installation European Mortise



#### HOW TO ORDER

WHAT YOU NEED:	PART # EXAMPLE	PAGE#
Lever – pair	5162E.150.MR	
Minus Rose (.MR)		
Passage Rose – pair	5056E.150.PS	
Spindle	0580E.004	61

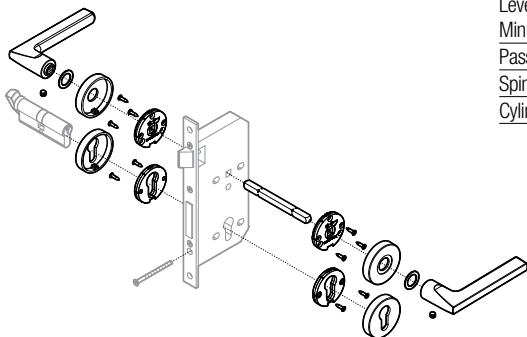
#### INSTALLATION

- Use cartridges to mark holes on both sides of the door.
- Drill holes.
- Install cartridges with supplied screws.
- Install spindle and roses. Secure roses with set screws.
- Install levers on both sides of the door and secure with set screws.

**IMPORTANT:** Set screw is coated with a special epoxy (resin) to prohibit the screw from loosening over time.

**NOTE:** Lock provided by others

### Privacy or Entrance with Rosette Installation European Mortise



#### HOW TO ORDER

WHAT YOU NEED:	PART # EXAMPLE	PAGE#
Lever – pair	5162E.150.MR	
Minus Rose (.MR)		
Passage Rose – pair	5056E.150.PS	
Spindle	0580E.004	61
Cylinder Collar – pair	5056E.150.KC	

#### INSTALLATION

- Use cartridges to mark holes on both sides of the door.
- Drill holes.
- Install cartridges with supplied screws.
- Install lever spindle.
- Install roses.
- Insert cylinder and secure with mortise screw.
- Tighten rose set screws.
- Install levers on both sides of the door and secure with set screws.

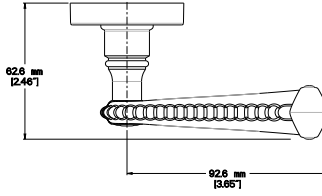
**IMPORTANT:** Set screw is coated with a special epoxy (resin) to prohibit the screw from loosening over time.

**NOTE:** Lock and cylinder provided by others

EUROPEAN MORTISE SECTIONAL TRIMS  
**SOLID BRASS LEVERS**

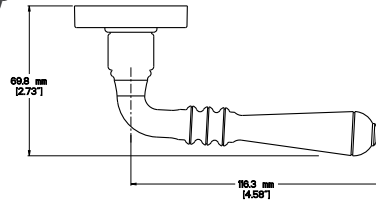
TRIMS FOR  
 EUROPEAN LOCKS

**5104E Lever**



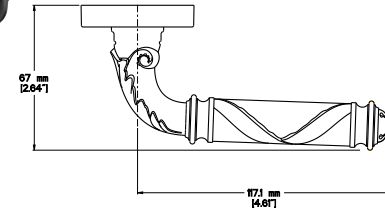
Item #	Description	Wt.	040, 050	
			112, 150, 151, 260, 264	003, 055, 056, 402
5104E.xxx.MR	Minus Rose - pair	1.5	\$150	\$170
5104E.xxx.RMR (LMR)	Right (Left) Minus Rose - half pair	0.8	\$75	\$85

**5107E Lever**



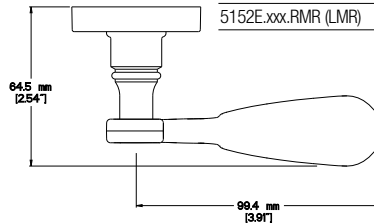
Item #	Description	Wt.	040, 050	
			112, 150, 151, 260, 264	003, 055, 056, 402
5107E.xxx.MR	Minus Rose - pair	1.5	\$150	\$170
5107E.xxx.RMR (LMR)	Right (Left) Minus Rose - half pair	0.6	\$75	\$85

**5122E Lever**



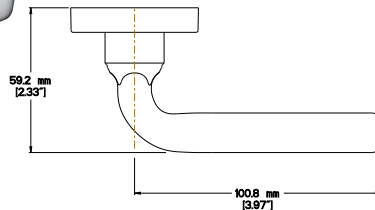
Item #	Description	Wt.	040, 050	
			112, 150, 151, 260, 264	003, 055, 056, 402
5122E.xxx.MR	Minus Rose - pair	1.6	\$150	\$170
5122E.xxx.RMR (LMR)	Right (Left) Minus Rose - half pair	0.8	\$75	\$85

**5152E Lever**



Item #	Description	Wt.	040, 050	
			112, 150, 151, 260, 264	003, 055, 056, 402
5152E.xxx.MR	Minus Rose - pair	1.1	\$150	\$170
5152E.xxx.RMR (LMR)	Right (Left) Minus Rose - half pair	0.6	\$75	\$85

**5190E Lever**



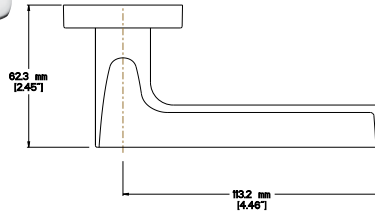
Item #	Description	Wt.	040, 050	
			112, 150, 151, 260, 264	003, 055, 056, 402
5190E.xxx.MR	Minus Rose - pair	1.5	\$150	\$170
5190E.xxx.RMR (LMR)	Right (Left) Minus Rose - half pair	0.8	\$75	\$85

All Baldwin levers are ADA 4.13.9 Compliant.  
 Levers shown are broached for 8mm on the square.

EUROPEAN MORTISE SECTIONAL TRIMS  
**SOLID BRASS LEVERS**

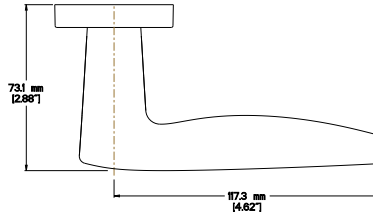
TRIMS FOR  
 EUROPEAN LOCKS

**5162E Lever**



Item #	Description	Wt.	040, 050	
			112, 150, 151, 260, 264	003, 055, 056, 402
5162E.xxx.MR	Minus Rose - pair	1.8	\$150	\$170
5162E.xxx.RMR (LMR)	Right (Left) Minus Rose - half pair	0.9	\$75	\$85

**5166E Lever**



Item #	Description	Wt.	040, 050	
			112, 150, 151, 260, 264	003, 055, 056, 402
5166E.xxx.MR	Minus Rose - pair	2.2	\$150	\$170
5166E.xxx.RMR (LMR)	Right (Left) Minus Rose - half pair	1.1	\$75	\$85

**SPINDLE CHART**

DOOR THICKNESS	45mm	50mm	55mm	60mm
	SPINDLE			
EUROPEAN ROSETTES	105mm	105mm	110mm	115mm



**0580E - 0582E Broached Straight Spindles - 8mm Square**

Item #	Description	Size	
0580E.004	Broached straight 8mm	105mm	
0581E.004	Broached straight 8mm	110mm	\$12
0582E.004	Broached straight 8mm	115mm	

All Baldwin levers are ADA 4.13.9 Compliant.  
 Levers shown are broached for 8mm on the square.

EUROPEAN MORTISE SECTIONAL TRIMS  
**SOLID BRASS ROSETTES**

TRIMS FOR  
 EUROPEAN LOCKS

**5016E Passage Rosette**  
 shown w/ 5104E Lever



Item #	Description	Wt.	040, 050	
			112, 150, 151, 260, 264	003, 055, 056, 402
5016E.xxx.PS	Passage - Pair	0.8	\$50	\$60
5016E.xxx.IPS	Passage - Half Pair	0.4	\$25	\$30

**NOTE:** Lever must be ordered separately, see European cylinder collars for rose dimensions.

**5017E Passage Rosette**  
 shown w/ 5122E Lever



Item #	Description	Wt.	040, 050	
			112, 150, 151, 260, 264	003, 055, 056, 402
5017E.xxx.PS	Passage - Pair	0.6	\$50	\$60
5017E.xxx.IPS	Passage - Half Pair	0.3	\$25	\$30

**NOTE:** Lever must be ordered separately, see European cylinder collars for rose dimensions.

**5027E Passage Rosette**  
 shown w/ 5104E Lever



Item #	Description	Wt.	040, 050	
			112, 150, 151, 260, 264	003, 055, 056, 402
5027E.xxx.PS	Passage - Pair	0.6	\$50	\$60
5027E.xxx.IPS	Passage - Half Pair	0.3	\$25	\$30

**NOTE:** Lever must be ordered separately, see European cylinder collars for rose dimensions.

**5032E Passage Rosette**  
 shown w/ 5166E Lever



Item #	Description	Wt.	040, 050	
			112, 150, 151, 260, 264	003, 055, 056, 402
5032E.xxx.PS	Passage - Pair	0.6	\$50	\$60
5032E.xxx.IPS	Passage - Half Pair	0.3	\$25	\$30

**NOTE:** Lever must be ordered separately, see European cylinder collars for rose dimensions.

**5056E Passage Rosette**  
 shown w/ 5166E Lever



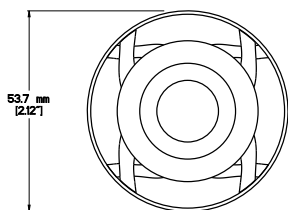
Item #	Description	Wt.	040, 050	
			112, 150, 151, 260, 264	003, 055, 056, 402
5056E.xxx.PS	Passage - Pair	0.7	\$50	\$60
5056E.xxx.IPS	Passage - Half Pair	0.4	\$25	\$30

**NOTE:** Lever must be ordered separately, see European cylinder collars for rose dimensions.

# EUROPEAN MORTISE SECTIONAL TRIMS SOLID BRASS CYLINDER COLLARS

TRIMS FOR  
EUROPEAN LOCKS

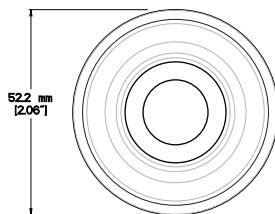
## 5016E Cylinder Collar



Item #	Description	Wt.	040, 050	
			112, 150, 151, 260, 264	003, 055, 056, 402
5016E.xxx.KC	Cylinder Collar - Pair	0.8	\$50	\$60
5016E.xxx.IKC	Cylinder Collar - Half Pair	0.4	\$25	\$30

**NOTE:** Cylinder not included

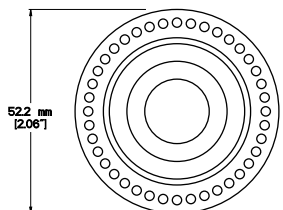
## 5017E Cylinder Collar



Item #	Description	Wt.	040, 050	
			112, 150, 151, 260, 264	003, 055, 056, 402
5017E.xxx.KC	Cylinder Collar - Pair	0.6	\$50	\$60
5017E.xxx.IKC	Cylinder Collar - Half Pair	0.3	\$25	\$30

**NOTE:** Cylinder not included

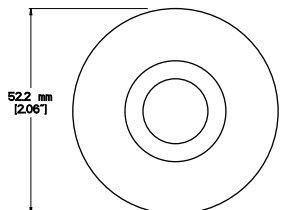
## 5027E Cylinder Collar



Item #	Description	Wt.	040, 050	
			112, 150, 151, 260, 264	003, 055, 056, 402
5027E.xxx.KC	Cylinder Collar - Pair	0.6	\$50	\$60
5027E.xxx.IKC	Cylinder Collar - Half Pair	0.3	\$25	\$30

**NOTE:** Cylinder not included

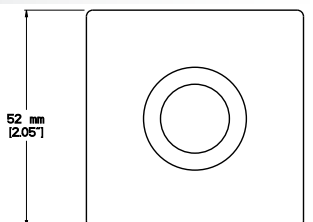
## 5032E Cylinder Collar



Item #	Description	Wt.	040, 050	
			112, 150, 151, 260, 264	003, 055, 056, 402
5032E.xxx.KC	Cylinder Collar - Pair	0.6	\$50	\$60
5032E.xxx.IKC	Cylinder Collar - Half Pair	0.3	\$25	\$30

**NOTE:** Cylinder not included

## 5056E Cylinder Collar



Item #	Description	Wt.	040, 050	
			112, 150, 151, 260, 264	003, 055, 056, 402
5056E.xxx.KC	Cylinder Collar - Pair	0.7	\$50	\$60
5056E.xxx.IKC	Cylinder Collar - Half Pair	0.4	\$25	\$30

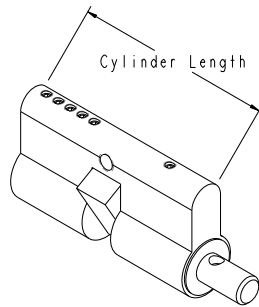
**NOTE:** Cylinder not included

# EUROPEAN MORTISE SECTIONAL TRIMS CYLINDERS | SPARE PARTS

## Single Cylinders - C Keyway

DOOR THICKNESS		35mm	40mm	45mm	50mm
ROSE TRIM	THICKNESS	Cylinder Length	Cylinder Length	Cylinder Length	Cylinder Length
5032E/ 5056E	10.0 mm	60mm 8322E	70mm 8323E	70mm 8323E	80mm 8324E
5027E	12.1 mm	70mm 8323E	70mm 8323E	80mm 8324E	80mm 8324E
5017E	12.7 mm	70mm 8323E	70mm 8323E	80mm 8324E	80mm 8324E
5016E	13.8 mm	70mm 8323E	70mm 8323E	80mm 8324E	80mm 8324E

TRIMS FOR  
EUROPEAN LOCKS



### RECOMMENDED CYLINDER FINISHES

RECOMMENDED FINISHES	ORIGINAL FINISHES
040	003, 040, 050
112	402, 112
264	055, 056, 150, 151, 260, 264,

Item #	Description	040, 112, 264
8322E.xxx	60mm European Cylinder	
8323E.xxx	70mm European Cylinder	\$50
8324E.xxx	80mm European Cylinder	

## Turn Knobs for European Cylinders

6725E



6735E



Item #	Description	040, 050 112, 150, 151, 260, 264	003, 055, 056, 402
6725E.xxx	Turn Knob for European Cylinder		
6735E.xxx	Turn Knob for European Cylinder	\$35	\$40



**Spare Parts**

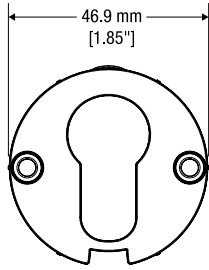
**1327.009**  
 Set Screws for Levers



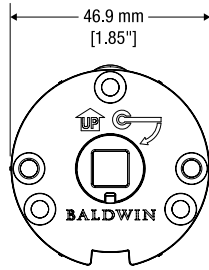
**8488E.000.B**  
 Set Screws for Rosettes



**8488E.000.A**  
 Adapter for Cylinder Collar



**8488E.000.C**  
 Spring Assistant Cartridge for .PS Rosette



Item #	Description	Price
1327.009	Set Screws for Levers	\$1
8488E.000.A	Adapter for Cylinder Collar	\$8
8488E.000.B	Set Screws for Rosettes	\$1
8488E.000.C	Spring Assistant Cartridge for .PS Rosette	\$12
8488E.000.D	Fasteners for Adapter / Cartridge	\$1

**1327.009 – Set Screws for Levers**

- >Included with ALL Estate knobs and levers
- >0.25" Black Oxide

**8488E.000.A – Adapter for Cylinder Collar**

- >Included with all European Mortise cylinder collars

**8488E.000.C – Spring Assistant Cartridge for .PS Rosette**

- >Included with all European Mortise passage rosettes

**8488E.000.B – Set Screws for Rosettes**

- >Included with all European Mortise rosettes

**8488E.000.D – Fastener for Adapter / Cartridge**

- >Included with all European Mortise rosettes

# TUBULAR HANDLESETS



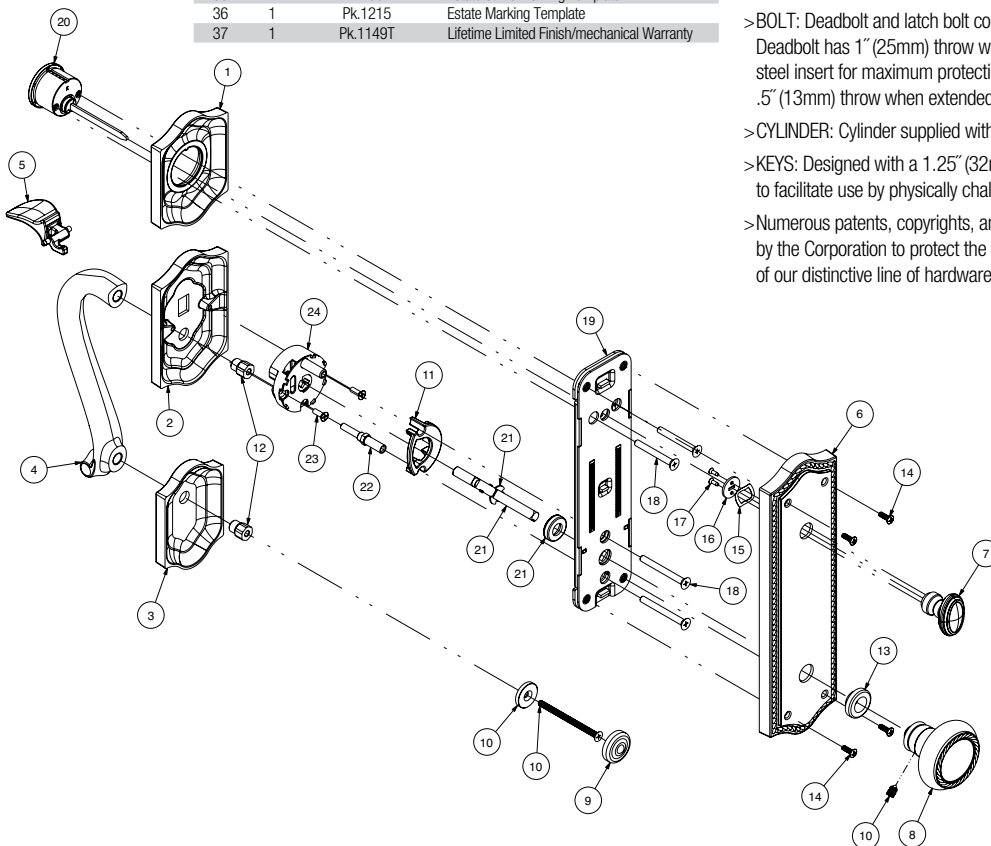
Specifications & Standards of Excellence

Estate lock sets are featured in traditional styles in our most popular finishes. Interior latch set designs coordinate beautifully with lockset styles to enable customers to carry a specific design theme throughout the home. Each Estate lockset is packed as a complete set, and is also available by component.

Item	Qty	Part No.	Part Name
1	1	6420.xxx.00052	Cylinder Collar
2	1	6420.xxx.00012	Large Plate
3	1	6420.xxx.00022	Small Plate
4	1	2598.xxx.00013	Door Pull
5	1	5300.xxx.95115	Thumbpiece
6	1	6420.xxx.KT012	Inside Escutcheon
7	1	5350.xxx.00023	Turn Knob
8	1	5064.xxx.00013	Knob-rose
9	1	0129.xxx.00013	Screw Cover
10	1	5300.000.05205	Fastener Packet (Pull/knob)
11	1	5300.228.97085	Alignment Bracket
12	2	1704.039.00115	Threaded Adaptor
13	1	6747.xxx.00013	Thimble
14	1	1005.xxx.05105	Fastener Packet (Inside Plate)
15	1	5196.109.00005	Wave Washer
16	1	8053.509.00015	Plate-tailpiece
17	2	1117.509.00009	#3-48 X .313" Lg., Fh, Ph, M/s
18	1	5300.000.93505	Fastener Packet (Egress Cartridge)
19	1	5300.000.95505	Rectangular Egress Cartridge Assembly
20	1	8031.xxx.05255	Cylinder Assembly
21	1	5300.000.93205	Spindle/spacer Packet
22	1	5300.028.99055	Mounting Post
23	2	10009.329.00009	#6-32 X .44" Lg., Fh, Ph, M/s
24	1	5300.000.95995	Thumb Cartridge Assembly

Not Shown On Drawing

25	1	5300.xxx.95105	Latch Assembly With Faceplate
26	1	8000.xxx.STR15	Strike
27	2	8000.1849.STR35	Dust Box
28	1	8053.xxx.00032	Cylinder Cap
29	1	8208.xxx.DBC15	Deadbolt Assembly (Egress)
30	1	8510.xxx.01135	T-strike
31	1	1013.221.05275	Fastener Packet (Strike)
32	1	1421.028.05105	Fastener Packet (Strike)
33	1	2510.221.00009	Fastener Packet (Latch And Deadbolt)
34	1	Pk.6415	Installation Instructions
35	1	Pk.1082	Estate Strike Marking Template
36	1	Pk.1215	Estate Marking Template
37	1	Pk.1149T	Lifetime Limited Finish/mechanical Warranty



Mechanical Features - Escutcheon Trim Lock sets

- >SOLID FORGED BRASS: Entrance handle, escutcheon, knob, rose and turn piece are manufactured of solid forged brass for maximum Strength and durability.
- >INSTALLATION: Lock sets are designed for easy installation in standard pre-bored wood or metal doors. The adaptor aligns the latch with the trim. Graphic instructions make installation FAST!
- >FULLY REVERSIBLE: Accommodates all door conditions and facilitates installation.
- >DOOR THICKNESS: Lock sets accommodate a door thickness of 1.75" (44mm). Conversion kit available for 2.0" (51mm) and 2.25" (57mm) thick doors (see price list for details).
- >CASE: Deadbolt and latch case are formed of steel for Strength. Most interior working parts are made of solid brass or zinc chromate plated steel for maximum Strength and smooth operation.
- >BACKSET: Adjustable backset 2.375" (60mm), 2.75" (70mm) latch and deadbolt supplied standard.
- >FACE PLATE: Deadbolt and latch supplied with a 1" (25mm) face plate.
- >STRIKE: Deadbolt is furnished with a specially designed reinforcing strike constructed of high grade steel for ultimate Strength and durability. The strike is installed with two (2) 3" (76mm) security jamb screws and a dust box. The security strike is covered with an armored front to conceal the fasteners. Latches are supplied standard with a box strike (other strikes are available at an additional charge).
- >DISTANCE BETWEEN CENTER OF LATCH AND DEADBOLT (CTC): Lockset accommodates 5.5" (140mm) center to center dimension ONLY.
- >BOLT: Deadbolt and latch bolt constructed of solid brass. Deadbolt has 1" (25mm) throw when extended and a hardened steel insert for maximum protection and security. Latch bolt has a .5" (13mm) throw when extended to fully engage the door jamb.
- >CYLINDER: Cylinder supplied with 5-pin keying.
- >KEYS: Designed with a 1.25" (32mm) wide bow surface to facilitate use by physically challenged people.
- >Numerous patents, copyrights, and trademarks are held by the Corporation to protect the integrity and reputation of our distinctive line of hardware appointments.

# SPECIFICATIONS AND STANDARDS

## ENTRANCE SETS

TUBULAR  
HANDLESETS

### ALL ENTRANCE LOCK SETS:

**SOLID FORGED BRASS:** Entrance handle, cylinder collar, knob, rose and turn piece are manufactured of solid forged brass for maximum strength and durability.

**INSTALLATION:** Estate lock sets are designed for easy installation in standard pre-bored wood or metal doors. The adaptor aligns the latch with the trim. Graphic instructions make installation FAST!

**DOOR THICKNESS:** Lock sets accommodate a door thickness of 1-3/4" (44mm). Conversion kit available for 2" (51mm) and 2-1/4" (57mm) thick doors at an additional charge.

**CASE:** Deadbolt and latch case are formed of steel for strength. Most interior working parts are made of solid brass or steel for maximum strength and smooth operation.

**BACKSET:** Adjustable backset 2-3/8" (60mm) or 2-3/4" (70mm) latch and deadbolt supplied standard.

**FACE PLATE:** Deadbolt and latch supplied with a 1" (25mm) face plate.

**STRIKE:** Deadbolt is furnished with a specially designed reinforcing strike constructed of high grade steel for ultimate strength and durability. The strike is installed with two (2) 3" (76mm) security jamb screws and a dust box. The security strike is covered with an armored front to conceal the fasteners. The 3" screws securing the inside face of the double cylinder deadbolt resist tampering and guard against theft. Latches are supplied standard with a full lip strike (other strikes are available at an additional charge.)

**BOLT:** Deadbolt and latch bolt are constructed of solid brass. Deadbolt has 1" (25mm) throw when extended and a hardened steel insert for maximum protection and security. Latch bolt has a .5" (13mm) throw when extended to fully engage the door jamb.

**KEYS:** Designed with a 1-1/4" (32mm) wide bow surface.

**PACKAGING:** All products are packaged in contractor packaging unless noted.

**SPLIT FINISH** available. Please contact customer service for special order instructions

### SECTIONAL TRIM LOCK SETS:

**FULLY REVERSIBLE:** Accommodates most door conditions and facilitates installation.

**DOOR THICKNESS:** Lock sets accommodate a door thickness of 1-3/4" (44mm). Conversion kit available for 2" (51mm) and 2-1/4" (57mm) thick doors at an additional charge.

**DISTANCE BETWEEN CENTER OF LATCH AND DEADBOLT (CTC):** Lockset accommodates any center-to-center dimension greater than 4-3/8" (111mm).

**CYLINDER:** Cylinder supplied with 5-pin keying. Cylinder is protected with a free-turning cylinder guard to resist gripping or twisting.

**DOOR PREP:** Designed to fit 2-1/8" face bore with no additional hardware.

### ESCUTCHEON TRIM LOCK SETS:

**FULLY REVERSIBLE:** Accommodates most door conditions and facilitates installation.

**DOOR THICKNESS:** Lock sets accommodate a door thickness of 1-3/4" (44mm). conversion kit available for 2" (51mm) and 2-1/4" (57mm) thick doors at an additional charge (see price list for details).

**DISTANCE BETWEEN CENTER OF LATCH AND DEADBOLT(CTC):** Lockset accommodates a 5 1/2" (140mm) center-to-center dimension ONLY.

**CYLINDER:** Cylinder supplied with 5-pin keying.

### EMERGENCY EGRESS TUBULAR ENTRANCE LOCK SETS:

**EMERGENCY EGRESS:** Handleset which retracts the latchbolt and deadbolt simultaneously when the inside knob/lever is turned. Door will remain unlocked unless locked with a key.

**CARTRIDGE:** Case and interior working parts are formed of heavy gauge steel, zinc chromate plated and lubricated for maximum strength and smooth operation.

**FULLY REVERSIBLE:** Accommodates most door conditions and facilitates installation.

**DOOR THICKNESS:** Lock sets accommodate a door thickness of 1-3/4" (44mm). Conversion kit available for 2" (51mm) and 2-1/4" (57mm) thick doors at an additional charge.

**DISTANCE BETWEEN CENTER OF LATCH AND DEADBOLT (CTC):** Lockset accommodates 5 1/2" center-to-center dimension ONLY.

**CYLINDER:** Cylinder supplied with 5-pin keying.

**IMPORTANT:** Emergency egress entrance lock sets are designed for use with all Estate knobs or levers.

### TWO-POINT LOCK SETS:

**DOOR THICKNESS:** Lock sets accommodate a door thickness of 1-3/4"(44mm) to 2" (51mm). Cannot be installed on doors thicker than 2"(51mm).

**DISTANCE BETWEEN CENTER OF LATCH AND DEADBOLT (CTC):** Lockset accommodates any center-to-center dimension greater than 4-3/4" (121mm).

**CYLINDER:** Cylinder supplied with 5-pin keying. Cylinder is protected with a free-turning cylinder guard to resist gripping or twisting.

**DOOR PREP:** Designed to fit 2-1/8" face bore with a 3-hole prep.

**NOTE:**When installing a two-point handleset on a door prepped for a standard single point handleset with a 5 1/2" CTC boring, the location of the thumb piece will be approximately 2 1/2" lower.

Numerous patents, copyrights, and trademarks are held by the Corporation to protect the integrity and reputation of our distinctive line of hardware appointments.

### Functions Available

#### ENTRANCE



**FROM EXTERIOR:**  
Thumb piece operates handleset latch;  
key operates deadbolt.

**FROM INTERIOR:**  
Knob operates latch;  
key operates deadbolt.

#### DOUBLE CYLINDER



**FROM EXTERIOR:**  
Thumb piece operates handleset latch;  
key operates deadbolt.

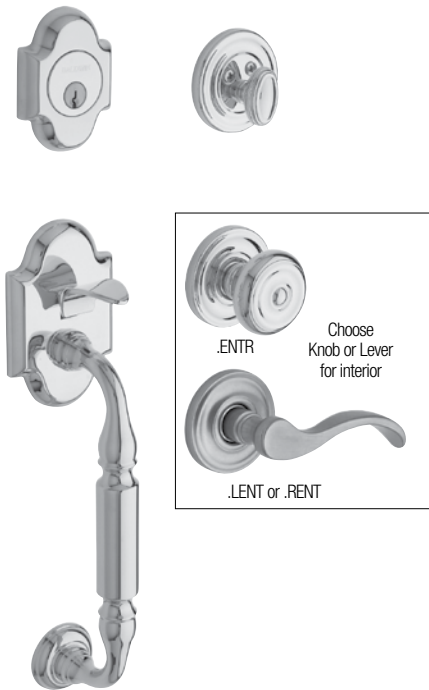
**FROM INTERIOR:**  
Knob operates latch;  
key operates deadbolt.

#### FULL DUMMY

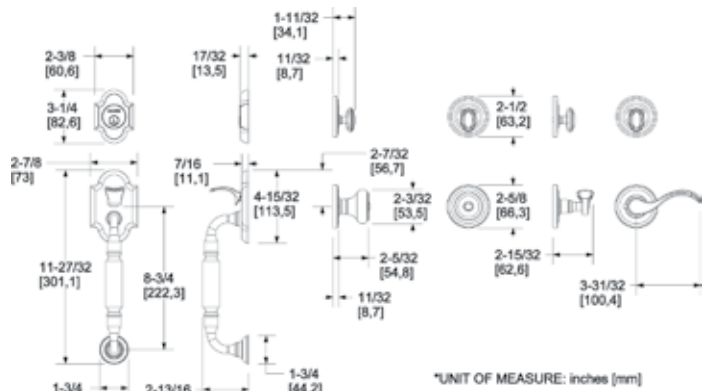


Trim for non-working side of double doors. Matching dummy trim (non-functioning) handleset and interior trim.

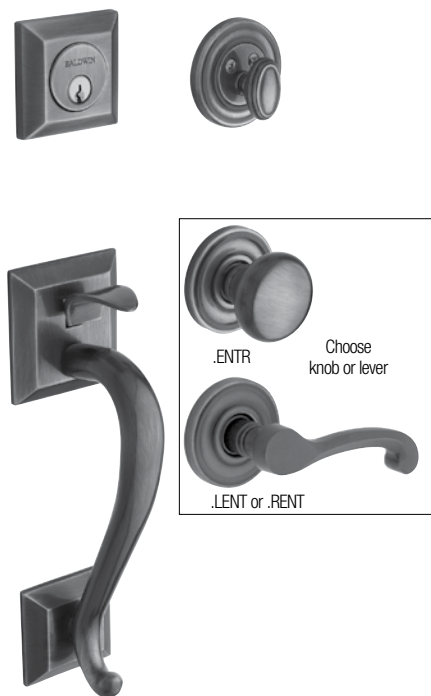
**Canterbury Sectional Trim**  
w/ 5020 Colonial knob or 5455V Wave lever



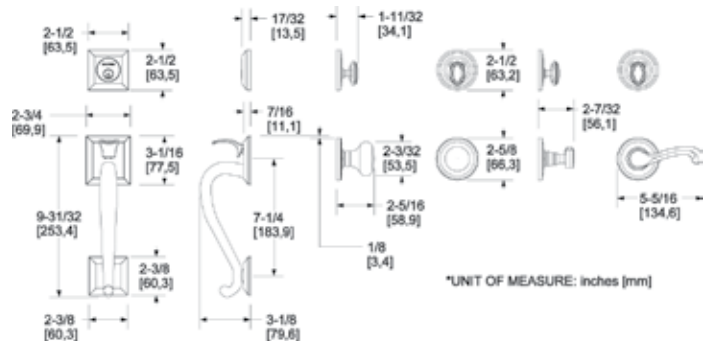
Item #	Description	Wt.	031, 050, 102	003, 055
			112, 150, 151	056, 402
			190, 260, 264	412, 452
85305.xxx.ENTR	Single cylinder handleset with interior knob	5.8	\$450	\$525
85305.xxx.DBLC	Double cylinder handleset with interior knob	6.1	475	550
85305.xxx.FD	Full dummy set with interior knob	4.6	375	450
85305.xxx.RENT	Single cylinder handleset with lever – RH Entry	6.8	450	525
85305.xxx.LENT	Single cylinder handleset with lever – LH Entry			
85305.xxx.RDBL	Double cylinder handleset with lever – RH Entry	7.1	475	550
85305.xxx.LDBL	Double cylinder handleset with lever – LH Entry			
85305.xxx.RFD	Full dummy set with lever – RH Dummy	5.6	375	450
85305.xxx.LFD	Full dummy set with lever – LH Dummy			



**Madison® Sectional Trim**  
w/ 5015 Classic knob or 5445V Classic lever



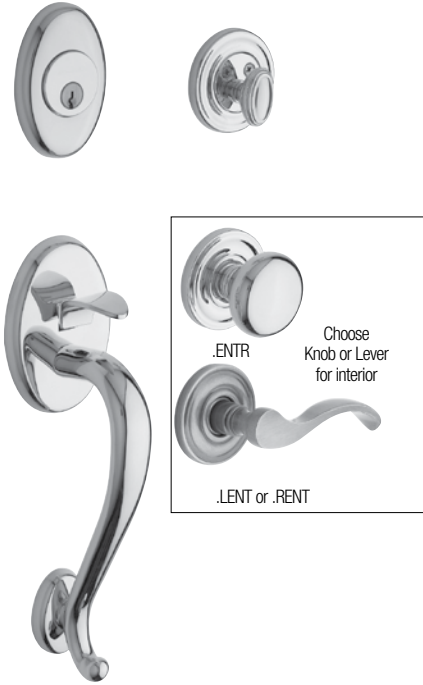
Item #	Description	Wt.	031, 050, 102	003, 055
			112, 150, 151	056, 402
			190, 260, 264	412, 452
85320.xxx.ENTR	Single cylinder handleset with interior knob	5.6	\$450	\$525
85320.xxx.DBLC	Double cylinder handleset with interior knob	5.9	475	550
85320.xxx.FD	Full dummy set with interior knob	4.2	375	450
85320.xxx.RENT	Single cylinder handleset with lever – RH Entry	6.6	450	525
85320.xxx.LENT	Single cylinder handleset with lever – LH Entry			
85320.xxx.RDBL	Double cylinder handleset with lever – RH Entry	6.9	475	550
85320.xxx.LDBL	Double cylinder handleset with lever – LH Entry			
85320.xxx.RFD	Full dummy set with lever – RH Dummy	5.2	375	450
85320.xxx.LFD	Full dummy set with lever – LH Dummy			



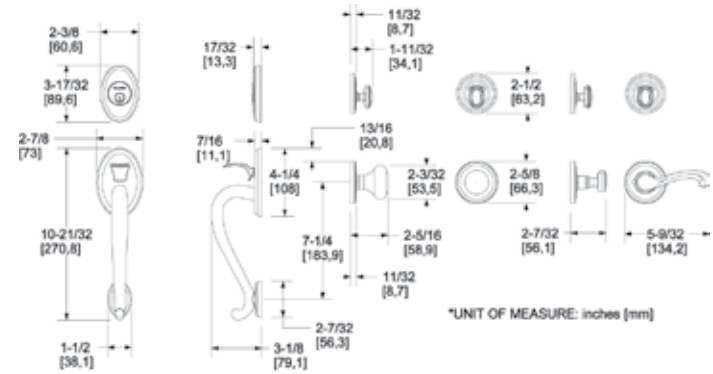
# ENTRANCE SETS, TUBULAR SECTIONAL

## Logan Sectional Trim

w/ 5015 Classic knob or 5455V Wave lever



Item #	Description	Wt.	031, 050, 102	003, 055
			112, 150, 151	056, 402
			190, 260, 264	412, 452
85315.xxx.ENTR	Single cylinder handleset with interior knob	5.7	\$450	\$525
85315.xxx.DBLC	Double cylinder handleset with interior knob	5.8	475	550
85315.xxx.FD	Full dummy set with interior knob	4.3	375	450
85315.xxx.RENT	Single cylinder handleset with lever - RH Entry	6.7	450	525
85315.xxx.LENT	Single cylinder handleset with lever - LH Entry	6.7	450	525
85315.xxx.RDBL	Double cylinder handleset with lever - RH Entry	6.8	475	550
85315.xxx.LDBL	Double cylinder handleset with lever - LH Entry	6.8	475	550
85315.xxx.RFD	Full dummy set with lever - RH Dummy	5.3	375	450
85315.xxx.LFD	Full dummy set with lever - LH Dummy	5.3	375	450



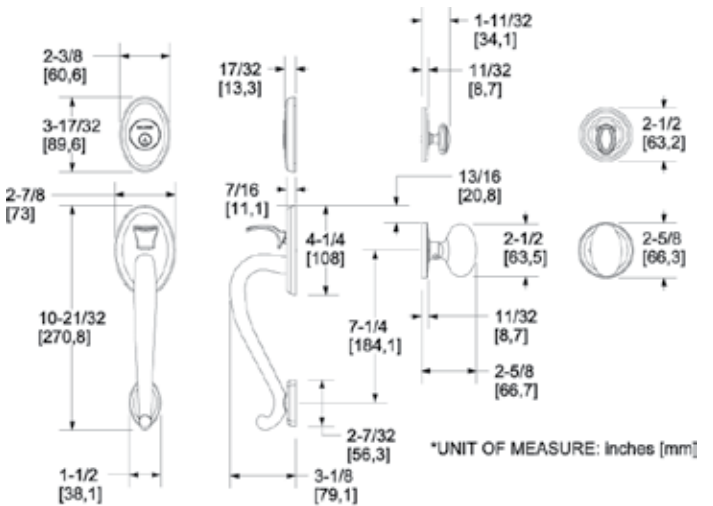
TUBULAR  
HANDLESETS

## Logan Sectional Trim

w/ 5025 Egg knob



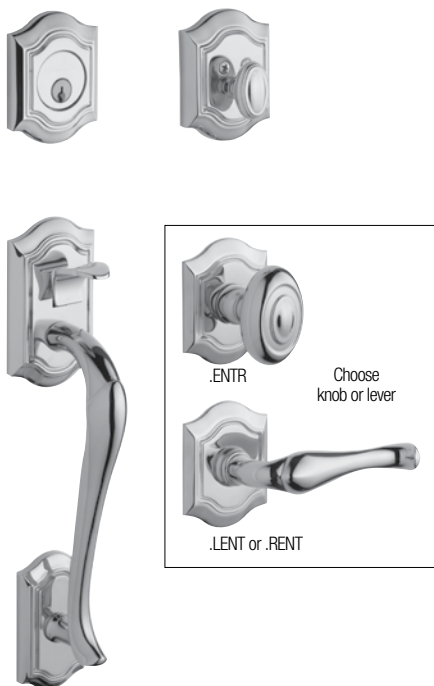
Item #	Description	Wt.	031, 050, 102	003, 055
			112, 150, 151	056, 402
			190, 260, 264	412, 452
85335.xxx.ENTR	Single cylinder handleset with interior knob	5.7	\$450	\$525
85335.xxx.DBLC	Double cylinder handleset with interior knob	5.8	475	550
85335.xxx.FD	Full dummy set with interior knob	4.3	375	450



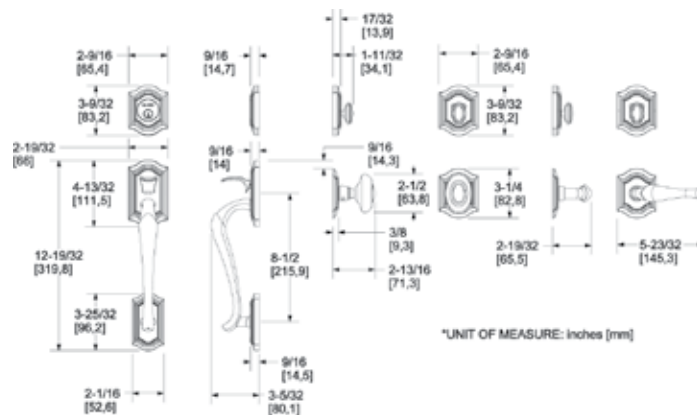


**Bethpage® Sectional Trim**

w/ 5077 Bethpage knob or 5447V Bethpage lever



Item #	Description	Wt.	031, 050, 102	003, 055
			112, 150, 151	056, 402
			190, 260, 264	412, 452
85327.xxx.ENTR	Single cylinder handleset with interior knob	5.8	\$450	\$525
85327.xxx.DBLC	Double cylinder handleset with interior knob	6.1	475	550
85327.xxx.FD	Full dummy set with interior knob	4.6	375	450
85327.xxx.RENT	Single cylinder handleset with lever – RH Entry	6.8	450	525
85327.xxx.LENT	Single cylinder handleset with lever – LH Entry			
85327.xxx.RDBL	Double cylinder handleset with lever – RH Entry	7.1	475	550
85327.xxx.LDBL	Double cylinder handleset with lever – LH Entry			
85327.xxx.RFD	Full dummy set with lever – RH Dummy	5.6	375	450
85327.xxx.LFD	Full dummy set with lever – LH Dummy			



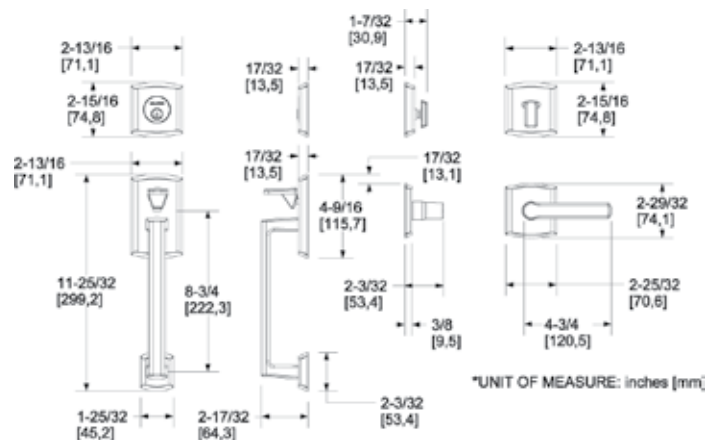
TUBULAR  
HANDLESETS

**Soho® Sectional Trim**

w/ 5485V lever



Item #	Description	Wt.	031, 050, 102	003, 055
			112, 150, 151	056, 402
			190, 260, 264	412, 452
85386.xxx.RENT	Single cylinder handlesetw/ Lever – RH Entry	6.8	\$450	\$525
85386.xxx.LENT	Single cylinder handlesetw/ Lever – LH Entry			
85386.xxx.RDBL	Double cylinder handleset w/ Lever – RH Entry	7.1	475	550
85386.xxx.LDBL	Double cylinder handleset w/ Lever – LH Entry			
85386.xxx.RFD	Full dummy set w/ Lever – RH Dummy	5.6	375	450
85386.xxx.LFD	Full dummy set w/ Lever – LH Dummy			



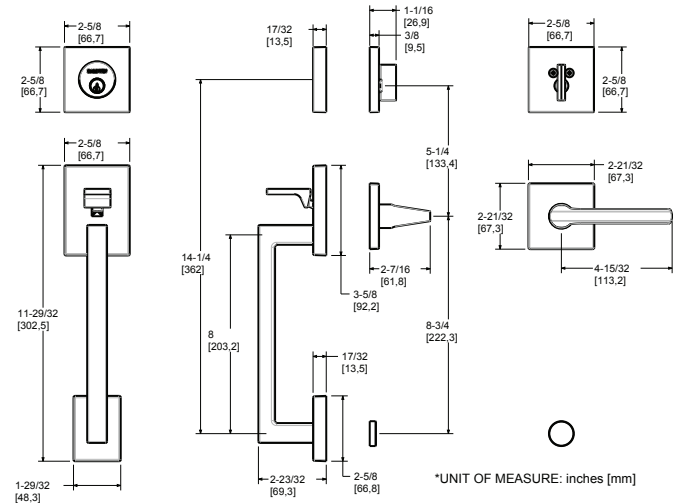
# ENTRANCE SETS, TUBULAR SECTIONAL

**Minneapolis® Sectional Trim**  
w/ 5162 lever

**Coming August 2016**



Item #	Description	Wt.	031, 033, 034, 040		003, 055
			050, 060, 102	056, 402	
85390.xxx.RENT	Single cylinder handleset with lever – RH Entry	6.8	450	525	
85390.xxx.LENT	Single cylinder handleset with lever – LH Entry				
85390.xxx.RDBL	Double cylinder handleset w/ Lever – RH Entry	7.2	475	550	
83390.xxx.LDBL	Double cylinder handleset w/ Lever – LH Entry				
85390.xxx.RFD	Full dummy set with lever – RH Dummy	5.6	375	450	
85390.xxx.LFD	Full dummy set with lever – LH Dummy				
85390.xxx.ENTRX	Single cylinder handleset minus lever		400	475	
85390.xxx.FDX	Full dummy minus lever		325	400	



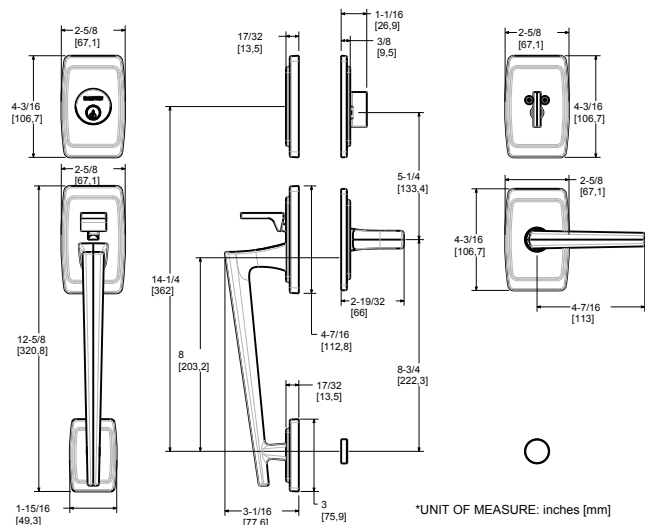
TUBULAR  
HANDLESETS

**Palm Springs™**  
w/ L024 Lever

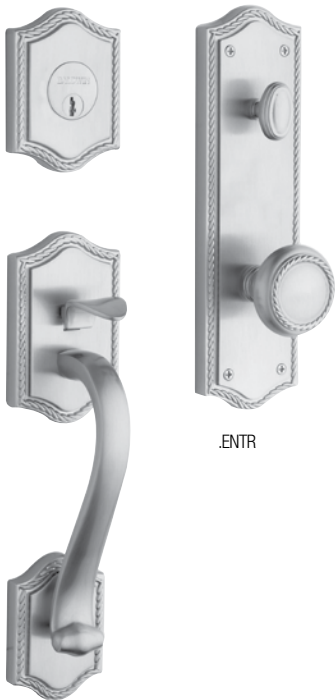
**Coming August 2016**



Item #	Description	Wt.	031, 033, 034, 040		003, 055
			050, 060, 102	056, 402	
85395.xxx.RENT	Single cylinder handleset w/ Lever – RH Entry	6.8	\$450	\$525	
85395.xxx.LENT	Single cylinder handleset w/ Lever – LH Entry				
85395.xxx.RDBL	Double cylinder handleset w/ Lever – RH Entry	7.2	\$475	\$550	
83395.xxx.LDBL	Double cylinder handleset w/ Lever – LH Entry				
85395.xxx.RFD	Full dummy set w/ Lever – RH Dummy	5.6	375	450	
85395.xxx.LFD	Full dummy set w/ Lever – LH Dummy				
85395.xxx.ENTRX	Single cylinder handleset minus lever		400	475	
85395.xxx.FDX	Full dummy set minus lever		325	400	

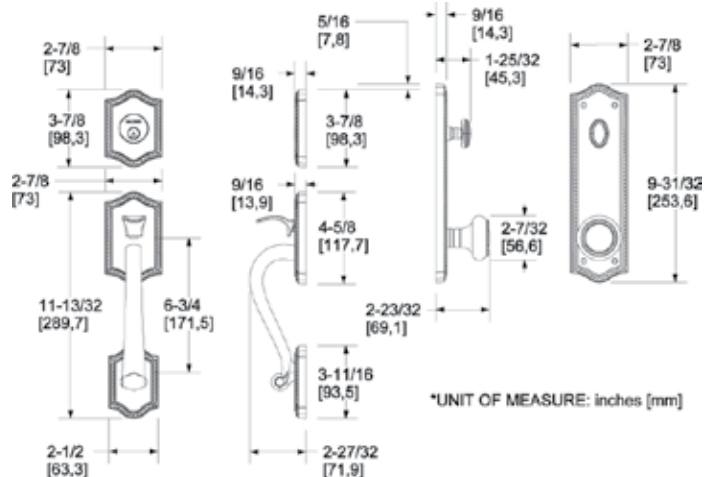


**Bristol Sectional Egress Handleset**  
w/ 5064 knob



.ENTR

Item #	Description	Wt.	031, 034, 040	
			050, 060, 102	003, 055
6420.xxx.ENTR	Single cylinder handleset with interior knob	8.7	\$550	\$625
6420.xxx.FD	Full dummy set with interior knob	6.7	475	550



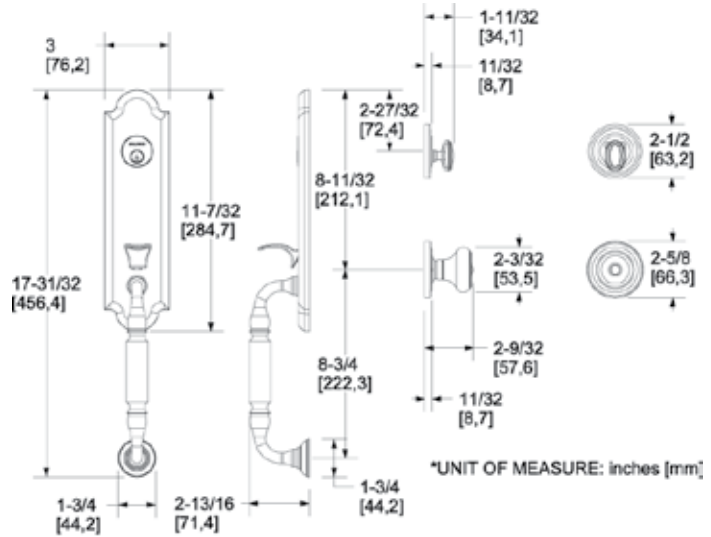
TUBULAR  
HANDLESETS

# ENTRANCE SETS, TUBULAR 3/4 ESCUTCHEON

## Nantucket Escutcheon Trim w/ 5020 Colonial knob



Item #	Description	Wt.	031, 050, 102	003, 055
			112, 150, 151	056, 402
85370.xxx.ENTR	Single cylinder handleset with interior knob	6.8	\$500	\$575
85370.xxx.DBLC	Double cylinder handleset with interior knob	7.0	525	600
85370.xxx.FD	Full dummy set with interior knob	5.1	425	500

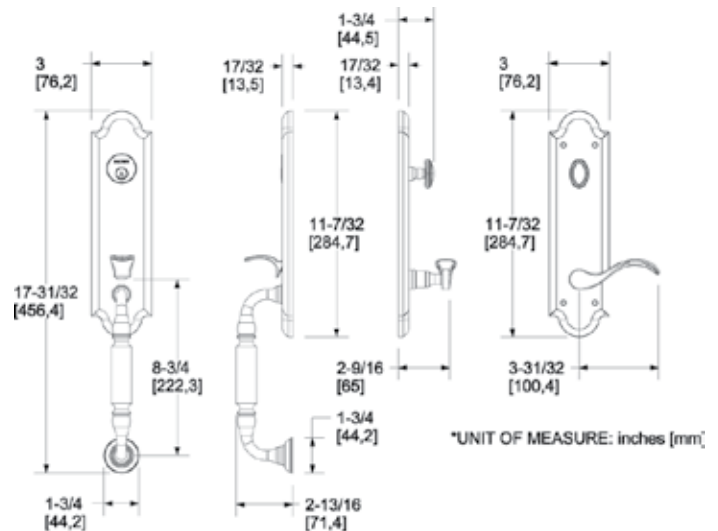


TUBULAR  
HANDLESETS

## Manchester Emergency Egress Handleset w/ 5455V Wave lever



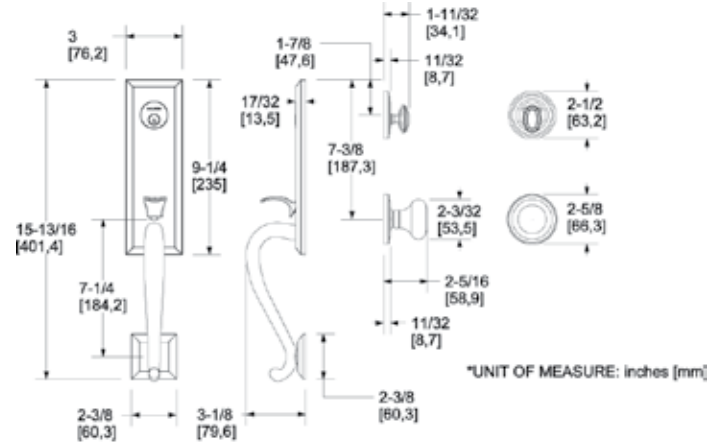
Item #	Description	Wt.	031, 050, 102	003, 055
			112, 150, 151	056, 402
85350.xxx.ENTR	Single cylinder handleset – less lever, emergency egress-active	5.7	\$550	\$625
85350.xxx.FD	Full dummy set less lever - inactive	4.3	475	550
85350.xxx.RENT	Single cylinder handleset w/ lever, emergency egress – RH Entry	8.3	600	675
85350.xxx.LENT	Single cylinder handleset w/ lever, emergency egress – LH Entry	8.3	600	675
85350.xxx.RFD	Full dummy set with lever – RH Dummy	6.2	525	600
85350.xxx.LFD	Full dummy set with lever – LH Dummy	6.2	525	600



**Glennon Escutcheon Trim**  
 w/ 5015 Classic knob



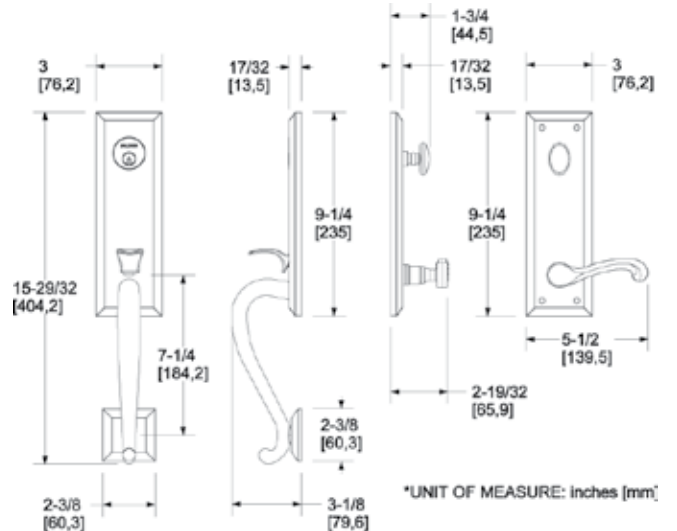
Item #	Description	Wt.	031, 050, 102	003, 055
			112, 150, 151	056, 402
			190, 260, 264	412, 452
85375.xxx.ENTR	Single cylinder handleset with interior knob	6.4	\$500	\$575
85375.xxx.DBLC	Double cylinder handleset with interior knob	6.6	525	600
85375.xxx.FD	Full dummy set with interior knob	4.7	425	500



**Stonegate Emergency Egress Handleset**  
 w/ 5445V Classic lever



Item #	Description	Wt.	031, 050, 102	003, 055
			112, 150, 151	056, 402
			190, 260, 264	412, 452
85355.xxx.ENTR	Single cylinder handleset – less lever, emergency egress - active	5.7	\$550	\$625
85355.xxx.FD	Full dummy set less lever - inactive	4.3	475	550
85355.xxx.RENT	Single cylinder handleset w/ lever, emergency egress – RH Entry	8.1	600	675
85355.xxx.LENT	Single cylinder handleset w/ lever, emergency egress – LH Entry			
85355.xxx.RFD	Full dummy set with lever – RH Dummy	5.9	525	600
85355.xxx.LFD	Full dummy set with lever – LH Dummy			



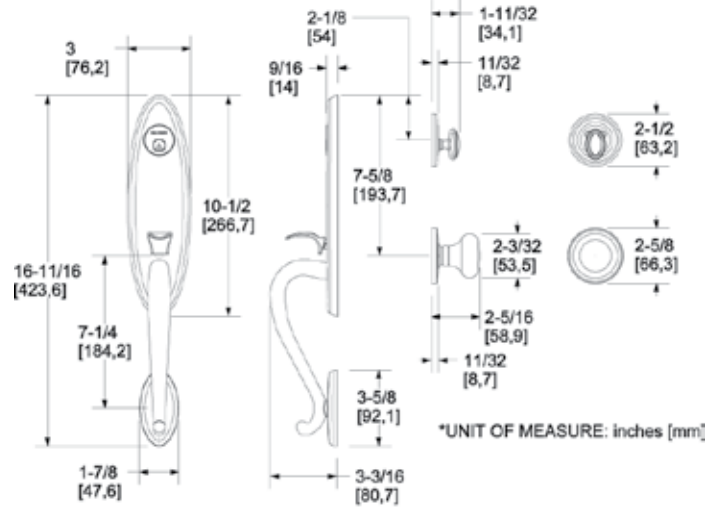
# ENTRANCE SETS, TUBULAR 3/4 ESCUTCHEON

## Buckingham® Escutcheon Trim w/ 5015 Classic knob

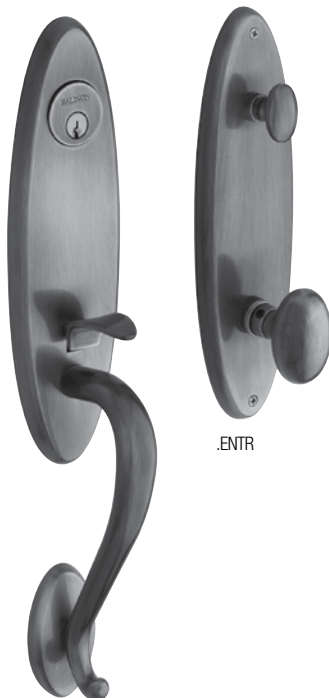


TUBULAR  
HANDLESETS

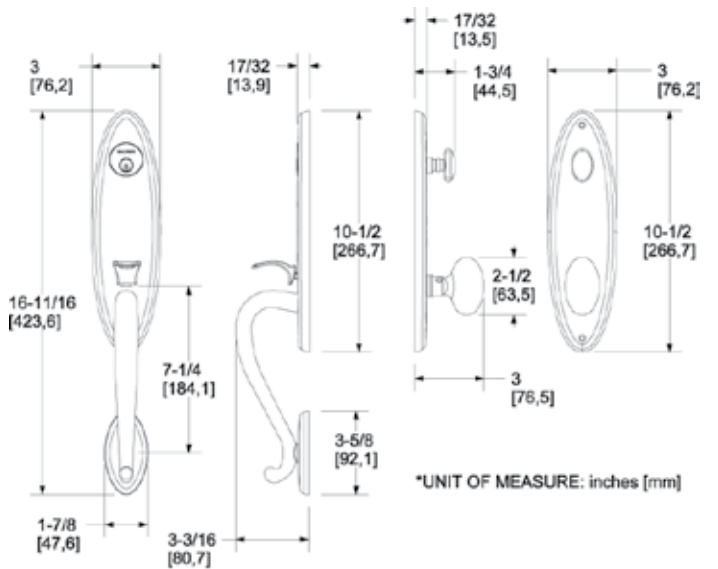
Item #	Description	Wt.	031, 050, 102	003, 055
			112, 150, 151	056, 402
			190, 260, 264	412, 452
85380.xxx.ENTR	Single cylinder handleset with interior knob	6.8	\$500	\$575
85380.xxx.DBLC	Double cylinder handleset with interior knob	7.0	525	600
85380.xxx.FD	Full dummy set with interior knob	5.1	425	500



## Blakely Emergency Egress Handleset w/ 5025 Egg knob

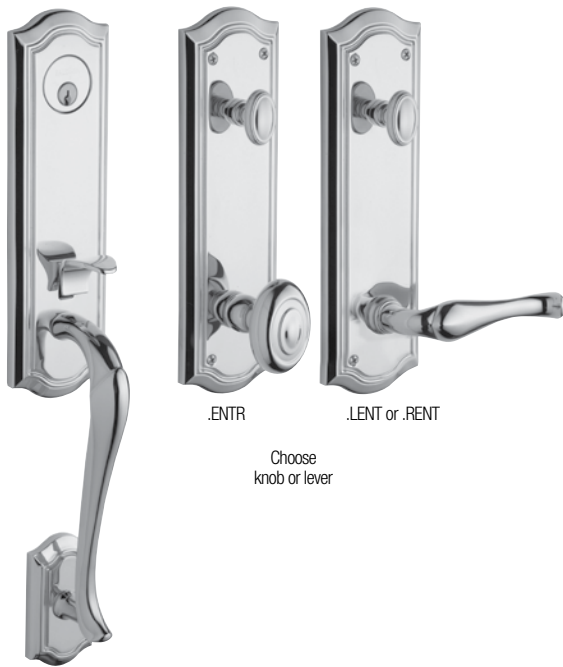


Item #	Description	Wt.	031, 050, 102	003, 055
			112, 150, 151	056, 402
			190, 260, 264	412, 452
85360.xxx.ENTR	Single cylinder handleset with interior knob	6.8	\$600	\$675
85360.xxx.FD	Full dummy set with interior knob	5.1	525	600

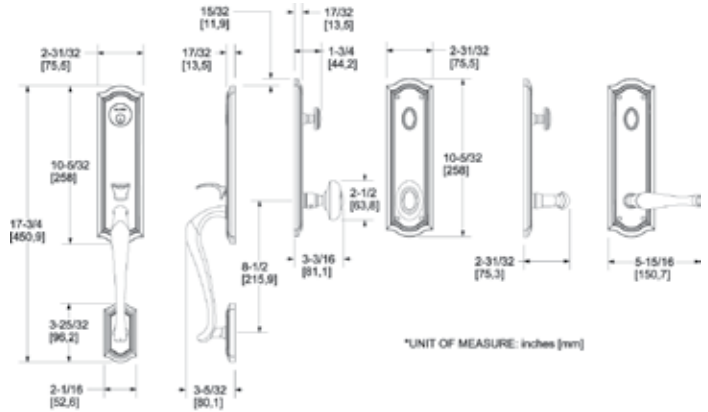




**Bethpage® Emergency Egress Handleset**  
 w/ 5077 Bethpage knob or 5447V Bethpage lever



Item #	Description	Wt.	031, 050, 102	003, 055
			112, 150, 151	056, 402
			190, 260, 264	412, 452
85337.xxx.ENTR	Single cylinder handleset with interior knob, emergency egress	6.8	\$600	\$675
85337.xxx.FD	Full dummy set with interior knob	5.4	525	600
85337.xxx.RENT	Single cylinder handleset w/ lever, emergency egress – RH Entry	7.8	600	675
85337.xxx.LENT	Single cylinder handleset w/ lever, emergency egress – LH Entry			
85337.xxx.RFD	Full dummy set with lever – RH Dummy	6.2	525	600
85337.xxx.LFD	Full dummy set with lever – LH Dummy			



TUBULAR  
 HANDLESETS

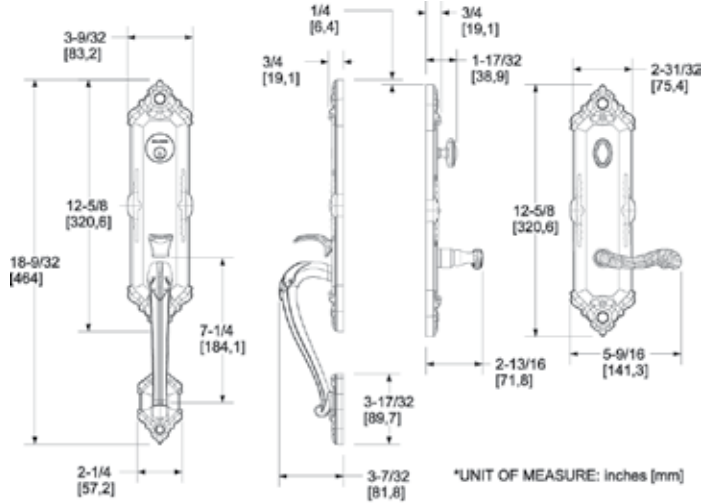
ENTRANCE SETS, TUBULAR  
**3/4 | FULL ESCUTCHEON**

**Kensington Emergency Egress Handleset**  
w/5108 Lever



.LENT or .RENT

Item #	Description	Wt.	030, 031	
			033, 034, 040	003, 055
6426.xxx.RENT	Single cylinder handleset with RIGHT lever, emergency egress	10.8	\$600	\$675
6426.xxx.LENT	Single cylinder handleset with LEFT lever, emergency egress			
6426.xxx.RFD	Full dummy set with RIGHT lever	8.5	525	600
6426.xxx.LFD	Full dummy set with LEFT lever			

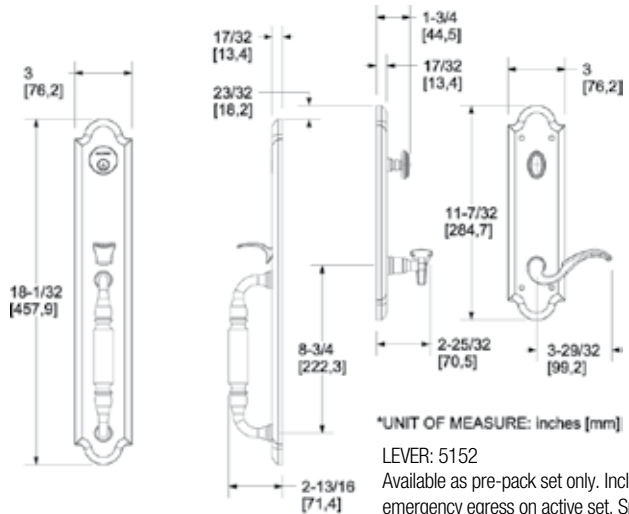


**6401 – Devonshire Emergency Egress Handleset**  
w/5152 Lever



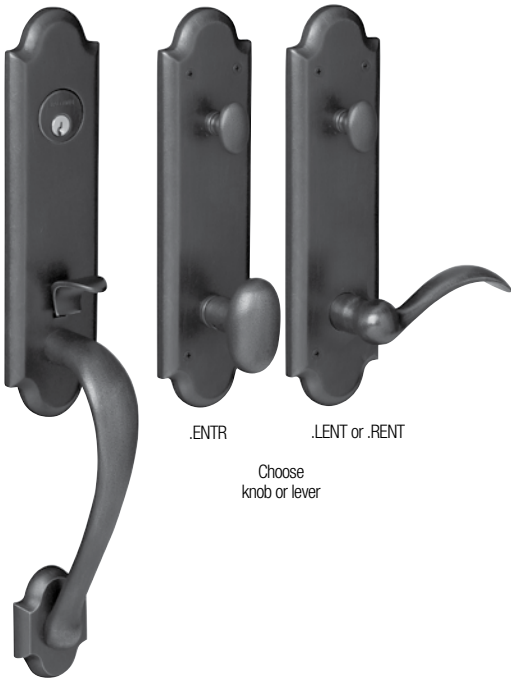
.LENT or .RENT

Item #	Description	Wt.	031, 033	
			034, 040	003, 055
6401.xxx.RENT	Single cylinder handleset with RIGHT lever, emergency egress	8.3	\$650	\$725
6401.xxx.LENT	Single cylinder handleset with LEFT lever, emergency egress			
6401.xxx.RFD	Full dummy set with RIGHT lever	6.2	575	650
6401.xxx.LFD	Full dummy set with LEFT lever			
6401.xxx.ENTR	Single cylinder handleset emergency egress less lever	8.3	600	675
6401.xxx.FD	Full dummy set less lever	6.2	525	600

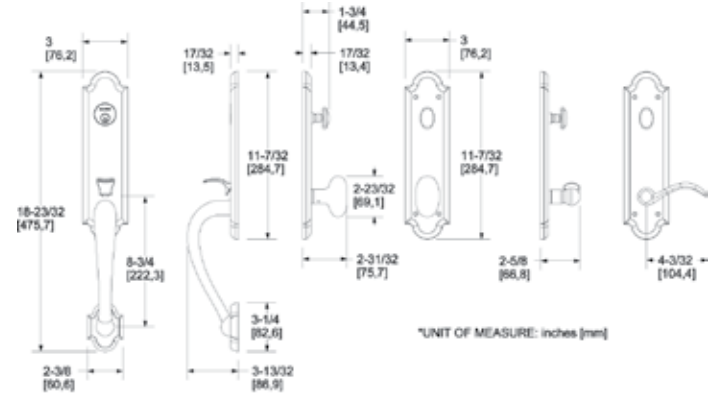


LEVER: 5152  
Available as pre-pack set only. Includes emergency egress on active set. Split finish available.

**Boulder 3/4 Escutcheon Handleset Emergency Egress**  
 w/ 5024 Oval knob or 5452V Beavertail lever

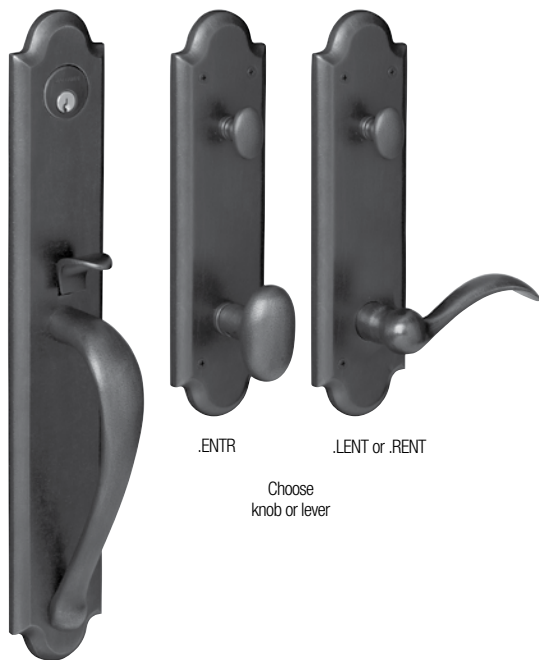


Item #	Description	Wt.	031, 050, 102	003, 055
			112, 150, 151	056, 402
			190, 260, 264	412, 452
85354.xxx.ENTR	Single cylinder handleset with interior knob, emergency egress	7.3	\$600	\$675
85354.xxx.FD	Full dummy set with interior knob	5.7	525	600
85354.xxx.RENT	Single cylinder handleset w/ lever, emergency egress – RH Entry	7.3	600	675
85354.xxx.LENT	Single cylinder handleset w/ lever, emergency egress – LH Entry			
85354.xxx.RFD	Full dummy set with lever – RH Dummy	5.7	525	600
85354.xxx.LFD	Full dummy set with lever – LH Dummy			

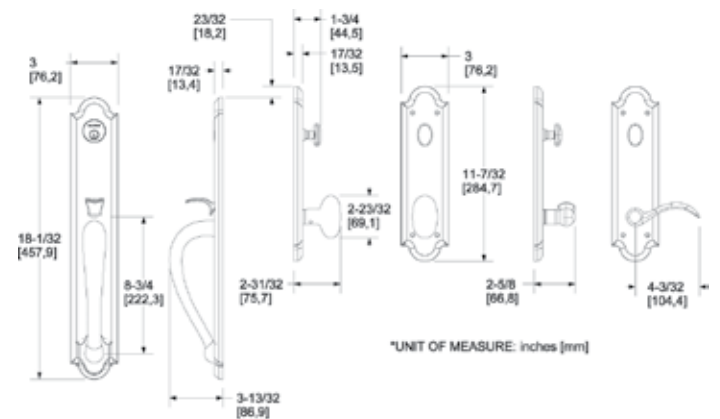


TUBULAR  
 HANDLESETS

**Boulder Full Escutcheon Handleset Emergency Egress**  
 w/ 5024 Oval knob or 5452V Beavertail lever

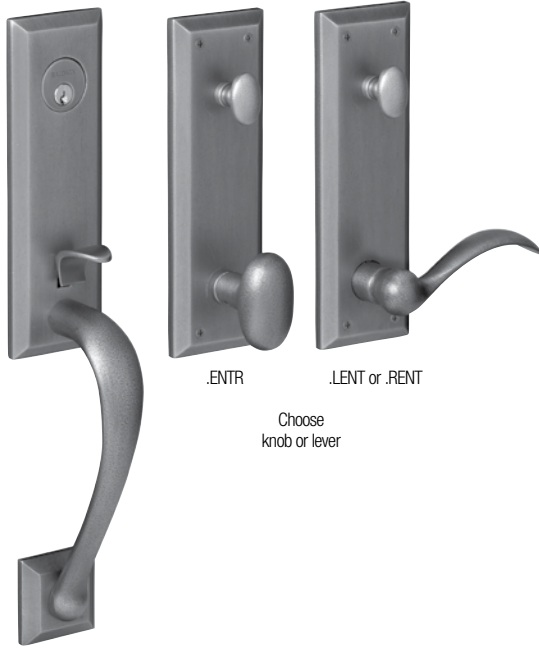


Item #	Description	Wt.	031, 050, 102	003, 055
			112, 150, 151	056, 402
			190, 260, 264	412, 452
6402.xxx.ENTR	Single cylinder handleset with interior knob, emergency egress	9.2	\$650	\$725
6402.xxx.FD	Full dummy set with interior knob	7.2	575	650
6402.xxx.RENT	Single cylinder handleset with lever, emergency egress – RH Entry	9.2	650	725
6402.xxx.LENT	Single cylinder handleset with lever, emergency egress – LH Entry			
6402.xxx.RFD	Full dummy set with lever – RH Dummy	7.2	575	650
6402.xxx.LFD	Full dummy set with lever – LH Dummy			

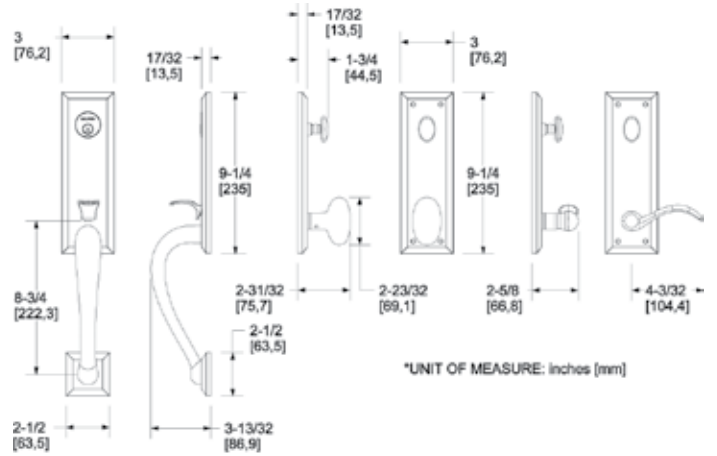


ENTRANCE SETS, TUBULAR  
**3/4 | FULL ESCUTCHEON**

**Cody 3/4 Escutcheon Handleset Emergency Egress**  
 w/ 5024 Oval knob or 5452V Beavertail lever

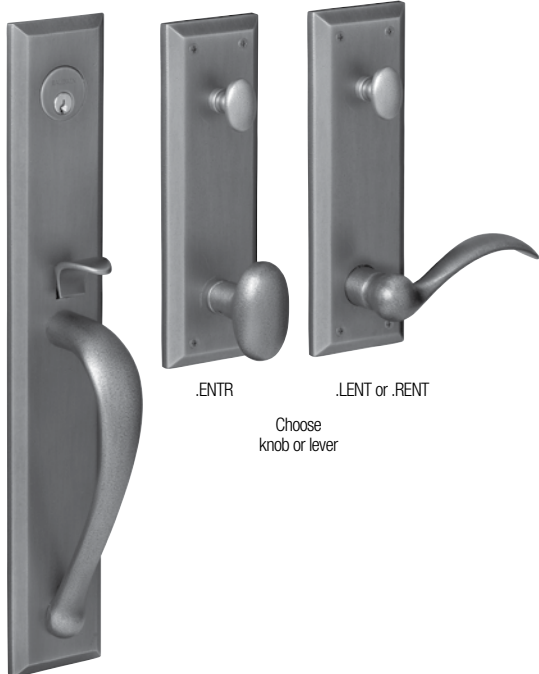


Item #	Description	Wt.	031, 050, 102 112, 150, 151 190, 260, 264	003, 055 056, 402 412, 452
85352.xxx.ENTR	Single cylinder handleset with interior knob, emergency egress	7.3	\$600	\$675
85352.xxx.FD	Full dummy set with interior knob	5.7	525	600
85352.xxx.RENT	Single cylinder handleset w/ lever, emergency egress – RH Entry	7.3	600	675
85352.xxx.LENT	Single cylinder handleset w/ lever, emergency egress – LH Entry			
85352.xxx.RFD	Full dummy set with lever – RH Dummy	5.7	525	600
85352.xxx.LFD	Full dummy set with lever – LH Dummy			

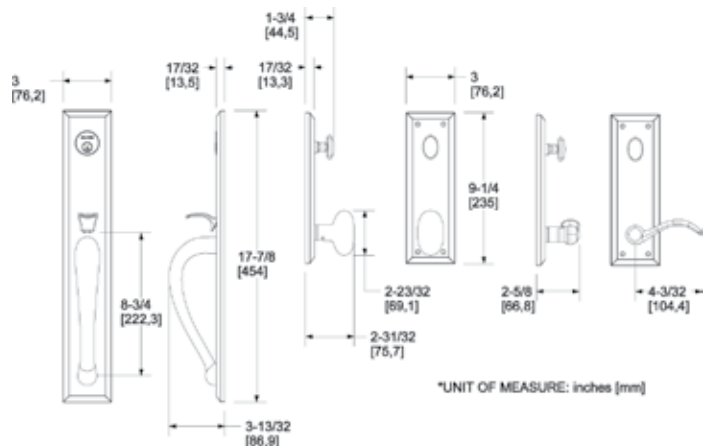


TUBULAR  
HANDLESETS

**Cody Full Escutcheon Handleset Emergency Egress**  
 w/ 5024 Oval knob or 5452V Beavertail lever



Item #	Description	Wt.	031, 050, 102 112, 150, 151 190, 260, 264	003, 055 056, 402 412, 452
6403.xxx.ENTR	Single cylinder handleset with interior knob, emergency egress	9.2	\$650	\$725
6403.xxx.FD	Full dummy set with interior knob	7.2	575	650
6403.xxx.RENT	Single cylinder handleset w/ lever, emergency egress – RH Entry	9.2	650	725
6403.xxx.LENT	Single cylinder handleset w/ lever, emergency egress – LH Entry			
6403.xxx.RFD	Full dummy set with lever – RH Dummy	7.2	575	650
6403.xxx.LFD	Full dummy set with lever – LH Dummy			



# ENTRANCE SETS, TUBULAR 3/4 | FULL ESCUTCHEON

## Minneapolis™ 3/4 Escutcheon Handleset Emergency Egress w/ 5162 lever

Coming August 2016

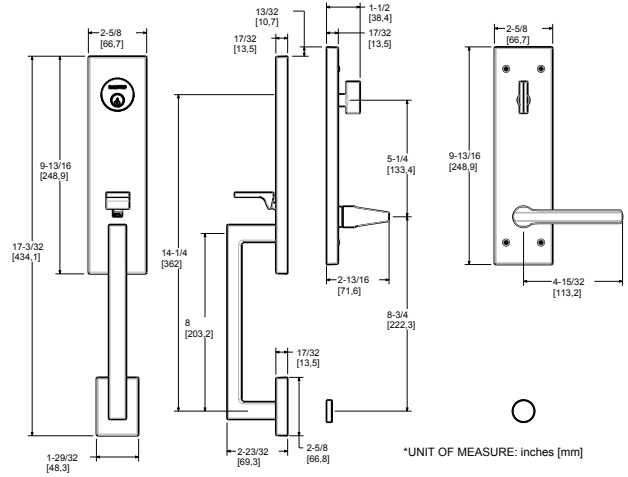


.LENT or .RENT

031,  
033, 034, 040  
050, 060, 102  
112, 150, 151  
190, 260, 264

003, 055  
056, 402  
412, 452

Item #	Description	Wt.		
85391.xxx.RENT	Single cylinder handleset w/ lever, emergency egress – RH Entry	7.3	600	675
85391.xxx.LENT	Single cylinder handleset w/ lever, emergency egress – LH Entry			
85391.xxx.RFD	Full dummy set with lever – RH Dummy	5.7	525	600
85391.xxx.LFD	Full dummy set with lever – LH Dummy			
85391.xxx.ENTRX	Single cylinder handleset minus lever		550	625
85391.xxx.FDX	Full dummy set minus lever		475	550



TUBULAR  
HANDLESETS

## Minneapolis™ Full Escutcheon Handleset Emergency Egress w/ 5162 lever

Coming August 2016

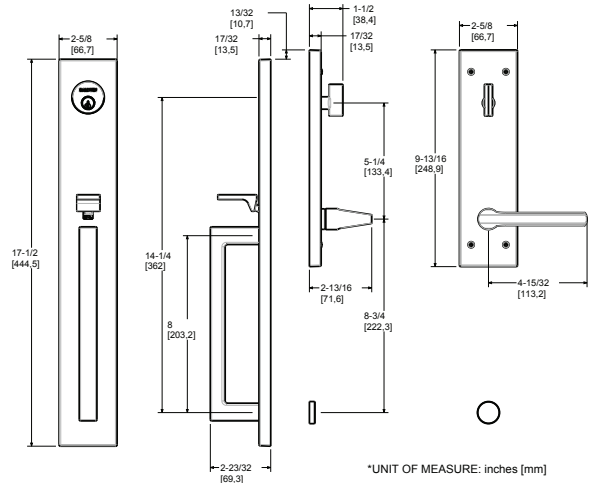


.LENT or .RENT

031,  
033, 034, 040  
050, 060, 102  
112, 150, 151  
190, 260, 264

003, 055  
056, 402  
412, 452

Item #	Description	Wt.		
85392.xxx.RENT	Single cylinder handleset w/ lever, emergency egress – RH Entry	9.2	650	725
85392.xxx.LENT	Single cylinder handleset w/ lever, emergency egress – LH Entry			
85392.xxx.RFD	Full dummy set with lever – RH Dummy	7.2	575	650
85392.xxx.LFD	Full dummy set with lever – LH Dummy			
85392.xxx.ENTRX	Single cylinder handleset minus lever		600	675
85392.xxx.FDX	Full dummy set minus lever		525	600



# ENTRANCE SETS, TUBULAR 3/4 | FULL ESCUTCHEON

**Palm Springs™ 3/4 Escutcheon Handleset Emergency Egress**  
w/ L024 lever

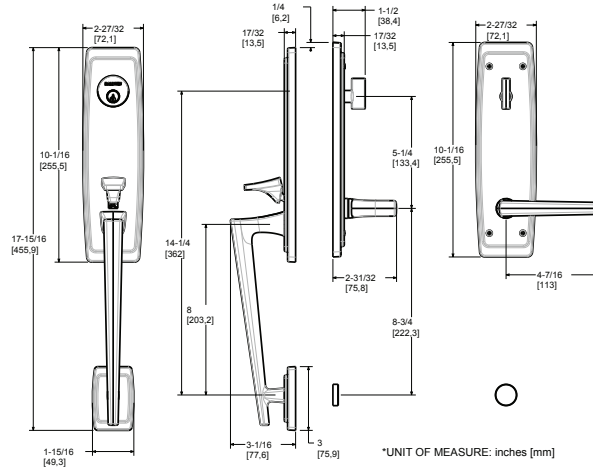
**Coming August 2016**

031,  
033, 034, 040  
050, 060, 102  
112, 150, 151  
190, 260, 264  
003, 055  
056, 402  
412, 452



.LENT or .RENT

Item #	Description	Wt.		
85396.xxx.RENT	Single cylinder handleset w/ lever, emergency egress – RH Entry	7.3	600	675
85396.xxx.LENT	Single cylinder handleset w/ lever, emergency egress – LH Entry			
85396.xxx.RFD	Full dummy set with lever – RH Dummy	5.7	525	600
85396.xxx.LFD	Full dummy set with lever – LH Dummy			
85396.xxx.ENTRX	Single cylinder handleset minus lever		550	625
85396.xxx.FDX	Full dummy set minus lever		475	550



TUBULAR  
HANDLESETS

**Palm Springs™ Full Escutcheon Handleset Emergency Egress**  
w/ L024 lever

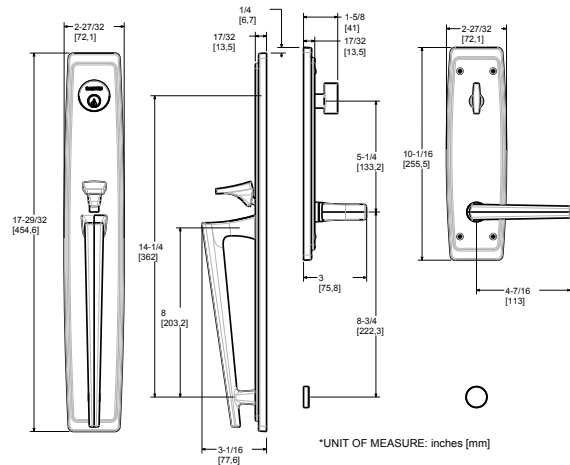
**Coming August 2016**

031,  
033, 034, 040  
050, 060, 102  
112, 150, 151  
190, 260, 264  
003, 055  
056, 402  
412, 452



.LENT or .RENT

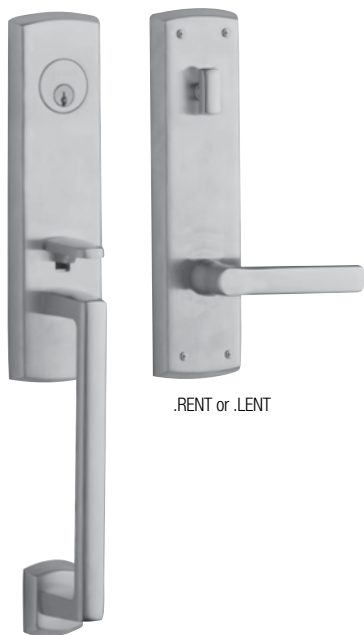
Item #	Description	Wt.		
85397.xxx.RENT	Single cylinder handleset w/ lever, emergency egress – RH Entry	9.2	650	725
85397.xxx.LENT	Single cylinder handleset w/ lever, emergency egress – LH Entry			
85397.xxx.RFD	Full dummy set with lever – RH Dummy	7.2	575	650
85397.xxx.LFD	Full dummy set with lever – LH Dummy			
85397.xxx.ENTRX	Single cylinder handleset minus lever		600	675
85397.xxx.FDX	Full dummy set minus lever		525	600





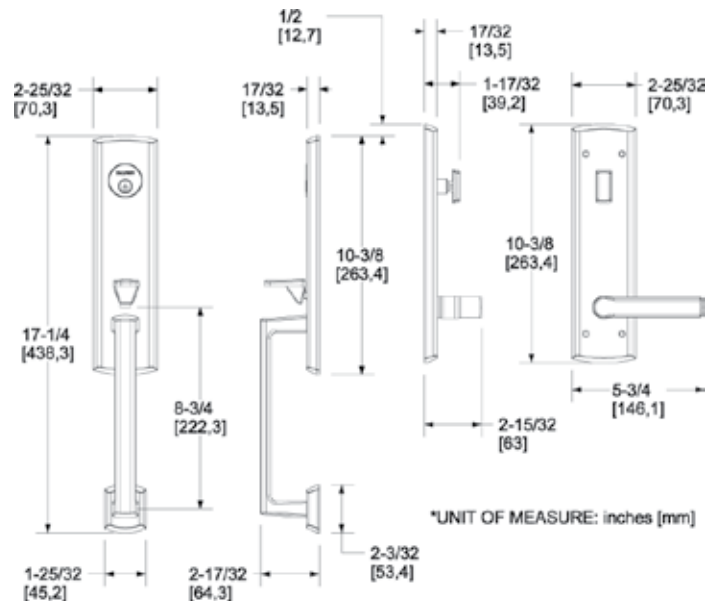
# ENTRANCE SETS, TUBULAR 3/4 ESCUTCHEON | TWO POINT LOCKING

## Soho® 3/4 Escutcheon Handleset Emergency Egress w/ 5485V lever



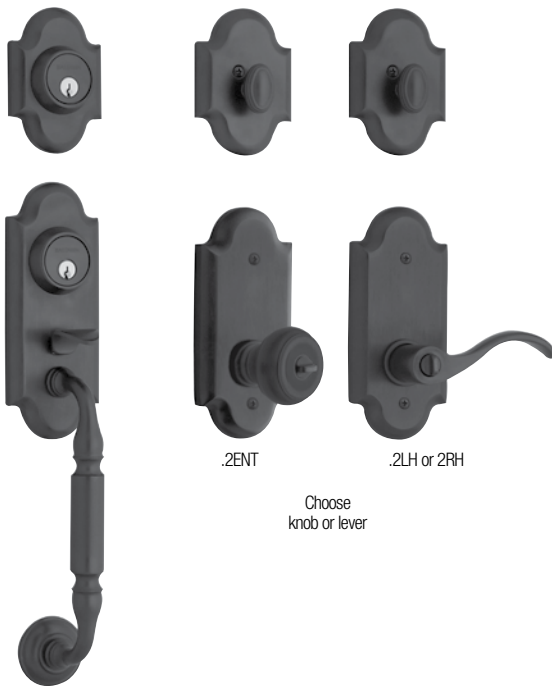
.RENT or .LENT

Item #	Description	Wt.	031, 050, 102	003, 055
			112, 150, 151	056, 402
			190, 260, 264	412, 452
85387.xxx.RENT	Single cylinder handleset w/ Lever – RH Entry, Emergency Egress	7.8	\$600	\$675
85387.xxx.LENT	Single cylinder handleset w/ Lever – LH Entry, Emergency Egress			
85387.xxx.RFD	Full dummy set w/ Lever – RH Dummy	6.2	525	600
85387.xxx.LFD	Full dummy set w/ Lever – LH Dummy			



TUBULAR  
HANDLESETS

## Ashton® Two-Point Lock Handleset w/ 5210 Colonial knob or 5255 Wave lever



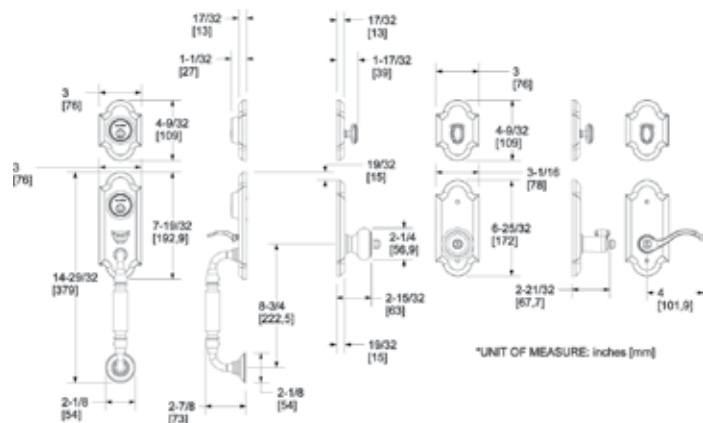
.2ENT

.2LH or 2RH

Choose  
knob or lever

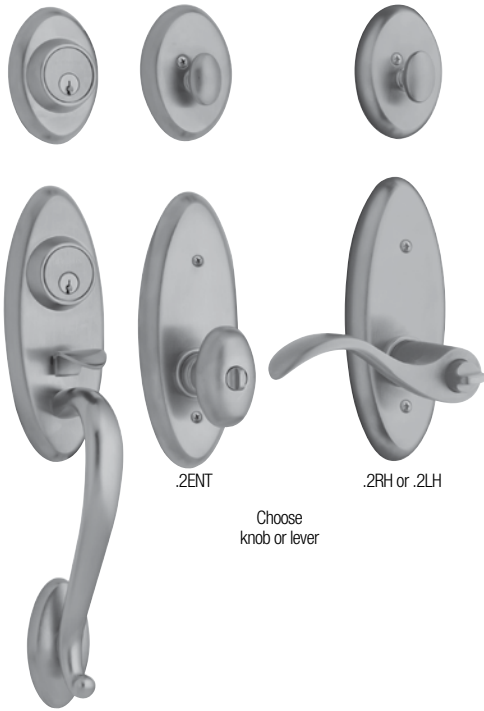
Item #	Description	Wt.	031, 050, 102	003, 055
			112, 150, 151	056, 402
			190, 260, 264	412, 452
85365.xxx.2ENT	Single cylinder handleset with interior knob	9.2	\$600	\$675
85365.xxx.2DC	Double cylinder handleset with interior knob	8.9	625	700
85365.xxx.2FD	Full dummy set with interior knob	8.6	525	600
85365.xxx.2RH	Single cylinder handleset with lever – RH Entry	8.8	600	675
85365.xxx.2LH	Single cylinder handleset with lever – LH Entry			
85365.xxx.2DCR	Double cylinder handleset with lever – RH Entry	8.5	625	700
85365.xxx.2DCL	Double cylinder handleset with lever – LH Entry			
85365.xxx.2RFD	Full dummy set with lever – RH Dummy	8.1	525	600
85365.xxx.2LFD	Full dummy set with lever – LH Dummy			

NOTE: 2" thick door maximum.



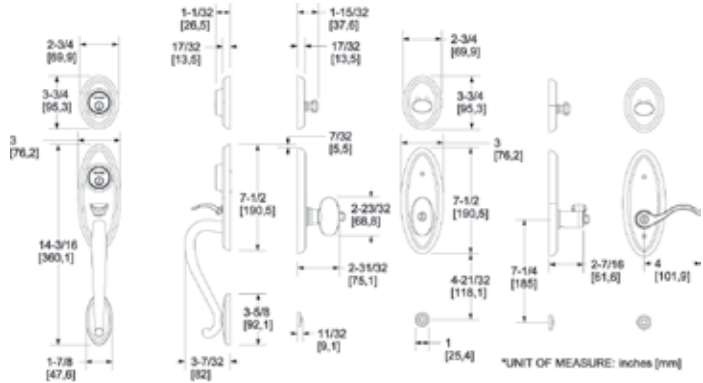
# ENTRANCE SETS, TUBULAR TWO POINT LOCKING

## Landon® Two-Point Lock Handleset w/ 5225 Egg knob or 5255 Wave lever



Item #	Description	Wt.	031, 050, 102	003, 055
			112, 150, 151	056, 402
			190, 260, 264	412, 452
85345.xxx.2ENT	Single cylinder handleset with interior knob	8.8	\$600	\$675
85345.xxx.2DC	Double cylinder handleset with interior knob	8.6	625	700
85345.xxx.2FD	Full dummy set with interior knob	8.1	525	600
85345.xxx.2RH	Single cylinder handleset with lever – RH Entry	8.3	600	675
85345.xxx.2LH	Single cylinder handleset with lever – LH Entry			
85345.xxx.2DCR	Double cylinder handleset with lever – RH Entry	8.1	625	700
85345.xxx.2DCL	Double cylinder handleset with lever – LH Entry			
85345.xxx.2RFD	Full dummy set with lever – RH Dummy	7.7	525	600
85345.xxx.2LFD	Full dummy set with lever – LH Dummy			

**NOTE:** 2" thick door maximum.



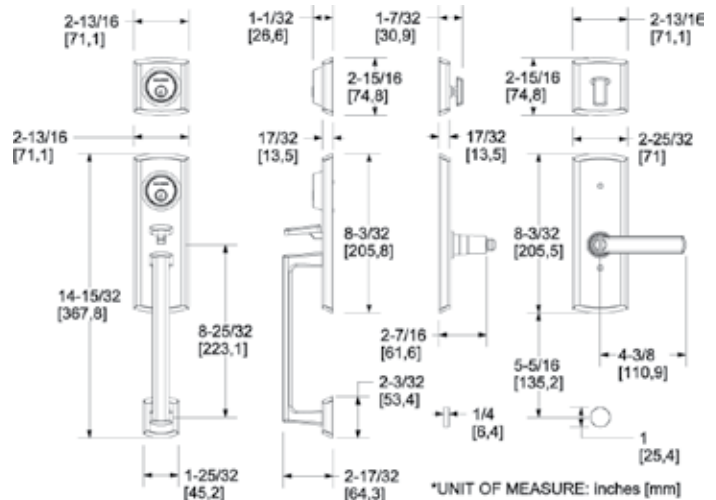
TUBULAR  
HANDLESETS

## Soho® Two-Point Lock Handleset w/ Soho lever



Item #	Description	Wt.	031, 050, 102	003, 055
			112, 150, 151	056, 402
			190, 260, 264	412, 452
85385.xxx.2RH	Single cylinder handleset with lever – RH Entry	9.7	\$600	\$675
85385.xxx.2LH	Single cylinder handleset with lever – LH Entry			
85385.xxx.2DCR	Double cylinder handleset with lever – RH Entry	9.4	625	700
85385.xxx.2DCL	Double cylinder handleset with lever – LH Entry			
85385.xxx.2RFD	Full dummy set with lever – RH Dummy	8.9	525	600
85385.xxx.2LFD	Full dummy set with lever – LH Dummy			

**NOTE:** 2" thick door maximum.



# TUBULAR HANDLESET ACCESSORIES

## 5398 – Thick Door Kits for Old Mechanics

Item #	Description	Std. Box	Wt.	030, 050, 102		402	
				112, 150, 151	190, 260, 264	412	452
5398.xxx.A*	For Sectional & Escutcheon Entrance (ENTR) function handlesets with Knobs to fit 2" & 2 1/4" thick doors	1	.3				
5398.xxx.B*	For Sectional & Escutcheon Double Cylinder (DBLC) function handlesets with Knobs to fit 2" & 2 1/4" thick doors	1	.4	\$45			—
5398.xxx.C	For all Emergency Egress handlesets (ENTR, RENT, LENT) to fit 2" & 2 1/4" thick doors	1	.4				
5398.xxx.D	For Sectional, Escutcheon and Emergency Egress Dummy (FD, LRFD) handlesets to fit 2" & 2 1/4" thick doors	1	.1	15			—
5398.xxx.G	For Sectional and Escutcheon Entrance (RENT, LENT) function handlesets with Levers to fit 2" & 2 1/4" thick doors	1	.3		45		—
5398.xxx.H	For Sectional and Escutcheon Double Cylinder (RDBL, LDBL) function handlesets with Levers to fit 2" & 2 1/4" thick doors	1	.4				

## 5399 – Thick Door Kits for New Mechanics

Item #	Description	Std. Box	Wt.	030, 050, 102		402	
				112, 150, 151	190, 260, 264	412	452
5399.xxx.A	For all Sectional and Escutcheon Single Cylinder Entrance function handlesets to fit 2" & 2 1/4" thick door	1	.3				
5399.xxx.B	For all Sectional and Escutcheon Double Cylinder Entrance handlesets to fit 2" & 2 1/4" thick doors	1	.4	\$45			—
5399.xxx.C	For all Emergency Egress function handlesets to fit 2" & 2 1/4" thick doors	1	.3				
5399.xxx.D	For all Full Dummy handle functions — Sectional, Escutcheon and Emergency Egress to fit 2" & 2 1/4" thick doors	1	.1	15			—

**Features:** Each conversion kit includes tailpieces (if necessary), thru-bolts, strike plate, and instructions for modifying sets for use on doors either 2" (51mm) or 2 1/4" (57mm) in thickness. (Must specify finish.)

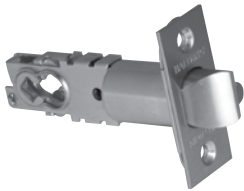
**Weight:** .21 lbs. (.09kg)

## 5399 – Repair Kits for New Mechanics

Item #	Description	Std. Box	Wt.	030, 050, 102		402	
				112, 150, 151	190, 260, 264	412	452
5399.xxx.G*	For active Sectional and Escutcheon handlesets with Interior Knobs including Single Cylinder (ENTR) and Double Cylinder (DBLC) sets	1	1.1				
5399.xxx.H*	For active Sectional and Escutcheon handlesets with Interior Levers including Single Cylinder (LHRH) and Double Cylinder (LRDB) sets	1	1.3	\$45			\$45
5399.xxx.K*	For Full Dummy (FD or LRFD) Sectional, Escutcheon, and Emergency Egress handlesets with a Traditional oval thumbpiece including Interior Knobs or Levers	1	.7	35			35
5399.xxx.M	For active Emergency Egress handlesets (ENTR) with an oval egress cartridge, a Traditional oval thumbpiece, and an Interior Knob	1	2.0				
5399.xxx.N	For active Emergency Egress handlesets (LENT or RENT) with a rectangular egress cartridge, a Traditional oval thumbpiece, and an Interior Lever	1	2.0	45			45

**NOTE:** All parts must be installed for proper lock function.

## 5210 & 5300 Replacement Latches



### Universal Deadlocking Latch for Keyed Entry

Item #	Adjustable Backset	Front Length	Front Width	Description	
5210.xxx	2.375" (60mm) 2.75" (70mm)	2.25" (57mm)	1" (25mm)	Deadlocking Latch Bolt	\$45

**FEATURES:** Latch bolts have a .5" throw, are reversible and can be used on beveled doors. Latches are supplied with 1" (25mm) face plates.

**PACKED:** One per box with strike, fasteners and template

### Adjustable Latch for Tubular Handlesets

Item #	Description		
5300.xxx.9	Adjustable Latch	\$40	\$43

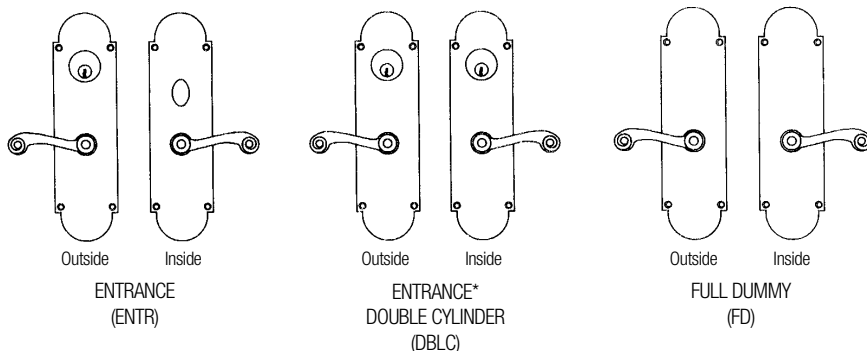
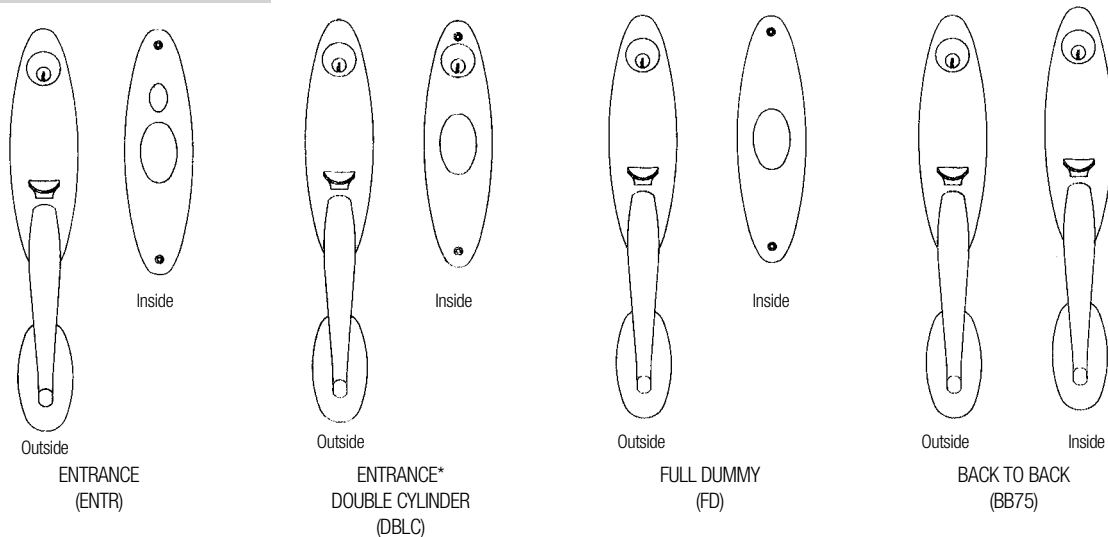
# MORTISE LOCKS



## Entrance Trim Symbology

### HOW TO ORDER

Refer to back cover for ordering guide



\*WARNING: Double cylinder functions on any application used for Egress may present a safety hazard in times of emergency. Installation should be in accordance with local codes.



Watch for this icon as your quick guide to coordinating Baldwin lock hardware throughout your home. Your favorite Baldwin styles can be available in Tubular, Mortise, or Multi-Point.

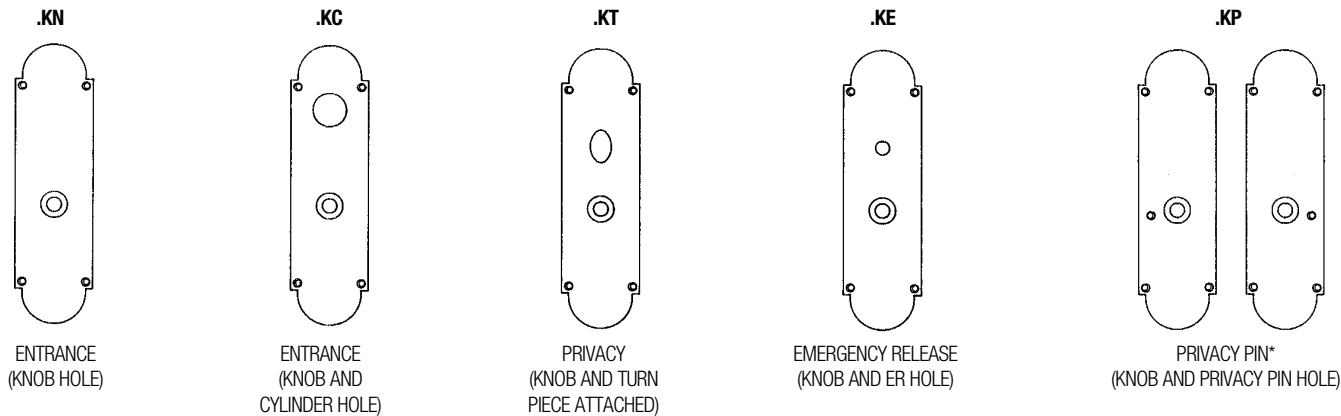


This symbol signifies that the illustrated lock trim will cover most single tubular cut-outs when used with appropriate backset mortise lock. Individual conditions should be examined to confirm acceptability.

MORTISE  
LOCKS

### Escutcheon Plate Configurations

Ordered in half pairs except for privacy (.KP) cut-outs which are ordered in pairs.



\*NOT AVAILABLE ON ALL ESCUTCHEONS

# ENTRANCE TRIM TERMINOLOGY

## Terminology

All the codes used in Entrance Trim

### ESCUTCHEON TRIMS

Function Code	Description
.ENTR	Active Entrance Trim – Knobs, Levers
.RENT	Right-handed Active Handleset – Levers
.LENT	Left-handed Active Handleset – Levers
.DBLC	Double Cylinder Active Entrance Trim
.FD	Full Dummy Trim
.RFD	Right-Handed Full Dummy
.LFD	Left-Handed Full Dummy
.BB75	Back to Back Entrance Trims 1 3/4" Doors
.BB30	Back to Back Entrance Trims up to 3" Doors
.BBFD	Back to Back Full Dummy
.KC	Knob and Cylinder Hole
.KT	Knob and Turn Piece Attached
.KN	Knob Hole
.KP	Knob and Privacy Button Hole (only sold in Pairs)
.KE	Knob and Emergency Release Hole
.KCIS	Cut for Cylinder Inside*
.KEIS	Cut for Emergency Release Inside*
.KNIS	Cut for Knob Inside*
.KTIS	Cut for Turn Piece Inside*
.KCOS	Cut for Cylinder Outside**
.KEOS	Cut for Emergency Release Outside**
.KNOS	Cut for Knob Outside**
.KTOS	Cut for Turn Piece Outside**

\*Surface Mounted Thru-Bolt

\*\* Thru-Bolted (No Surface Screws)

### MORTISE LOCKS

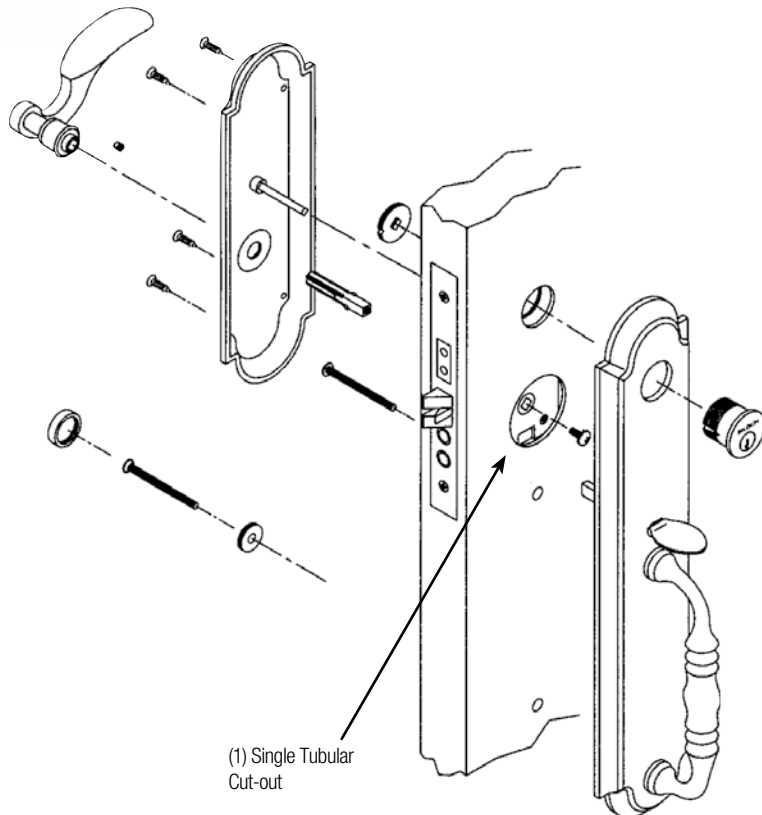
Function Code	Description
.R	Right-handed Mortise Lock (Knobs)
.L	Left-handed Mortise Lock (Knobs)
.RLS	Right-handed Mortise Lock Lever Strength (Levers)
.LLS	Left-handed Mortise Lock Lever Strength (Levers)
.RR	Right-handed Reverse Bevel Mortise Lock (Knobs)
.LR	Left-handed Reverse Bevel Mortise Lock (Knobs)
.RRLS	Right-handed Reverse Bevel Mortise Lock Lever Strength (Levers)
.LRLS	Left-handed Reverse Bevel Mortise Lock Lever Strength (Levers)
.LRB1	Right-handed Reverse Bevel Mortise Lock Lever Strength (Levers) w/ 1" Front
.RRB1	Left-handed Reverse Bevel Mortise Lock Lever Strength (Levers) w/ 1" Front

MORTISE  
LOCKS

### Pre-Drilled Doors



This symbol signifies that the illustrated lock trim will cover most single tubular cut-outs when used with appropriate backset mortise lock. Individual conditions should be examined to confirm acceptability.

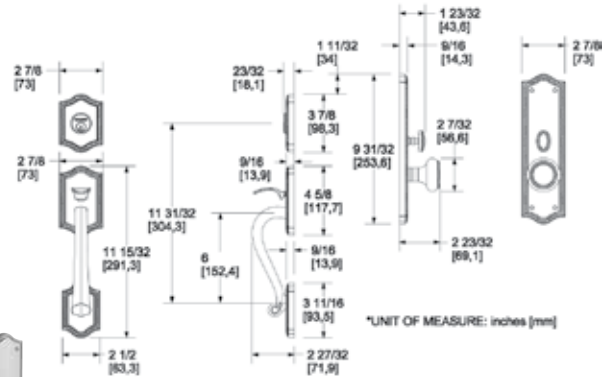






	Item #	Description	Set	WT.	030, 031, 033, 034, 040, 050, 060, 102, 112, 150, 151, 190, 260, 264	003, 055, 056, 402, 412, 452
SET	6520.xxx.ENTR	Entrance Trim	Set			
	6520.xxx.DBLC	Double Cylinder	Set	\$495	\$570	
	6520.xxx.FD	Full Dummy	Set			
EXT	6520.xxx.ENFD†	1 Active Entrance Set + 1 Full Dummy Set	2 Sets	990†	1140†	
	6640.xxx	Active Exterior Trim	Each			
INTERIOR	6640.xxx.DM	Dummy Exterior Trim	Each	365	410	
		Interior Escutcheon -				
	6520.xxx.KC	Cut for Cylinder (KC), Double Cylinder	Each			
	6520.xxx.KE**	Cut for Emergency Release (KE)	Each	195	230	
	6520.xxx.KN	Cut for Knob (KN), Passage/Dummy	Each			
	6520.xxx.KT	Interior Escutcheon w/ Turn Knob (KT)	Each	230	270	

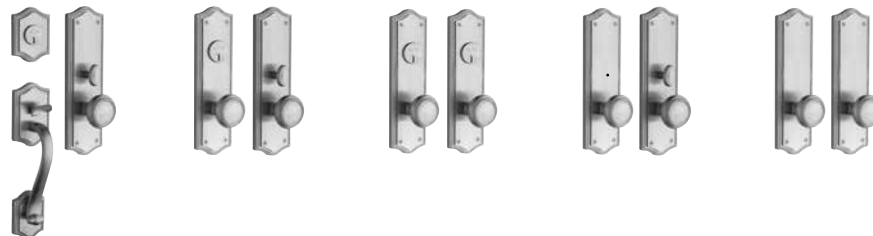
NOTE: 030 is not available with Entry Trim or KC escutcheons  
†.ENFD only available in 050, 112 & 190, to ensure a finish match on all components.



Trim width: 2.5"  
Trim thickness: .56" - 1"

MORTISE  
LOCKS

Sets	6520.xxx.ENTR	6520.xxx.DBLC	6520.xxx.FD
Exterior Trim	6640.xxx	6640.xxx	6640.xxx.DM
Interior Escutcheon	6520.xxx.KT	6520.xxx.KC	6520.xxx.KN
Knob/Lever	5064.xxx.IMR	5064.xxx.IMR	5064.xxx.IMR
Spindle	0530 - 2.375" Half Spindle	0530 (2.375" Half)	5092 (1.125" Dummy)
Cylinder	8325 for 1.75" door	Double	Dummy
Mortise Lock	•	•	
Blocking Ring		•	



Designer	Entrance	Entrance	Double Cylinder	Privacy	Passage
Exterior Trim	6640.xxx	6520.xxx.KC	6520.xxx.KC	6520.xxx.KE**	
Interior Escutcheon	6520.xxx.KT	6520.xxx.KT	6520.xxx.KC	6520.xxx.KT	6520.xxx.KN (x2)
Knob/Lever	Half Pair	Pair	Pair	Pair	Pair
Spindle	•	•	•	•	•
Cylinder	•	•	• (Double)		
Mortise Lock	•	•	•	• Latch & Mortise Bolt or Lock	• Latch or Mortise Lock
Blocking Ring			•		
Turn Knob					

REQUIRED

SEE BACK COVER FLAP for easy-ordering charts and requirements for doors thicker than 1.75"

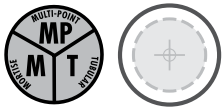
**MUST ORDER SEPARATELY**  
shown in grey

\*\* (All .KE hardware include 6701 ER cover)

\*\* (All .KE hardware include 6701 ER cover)

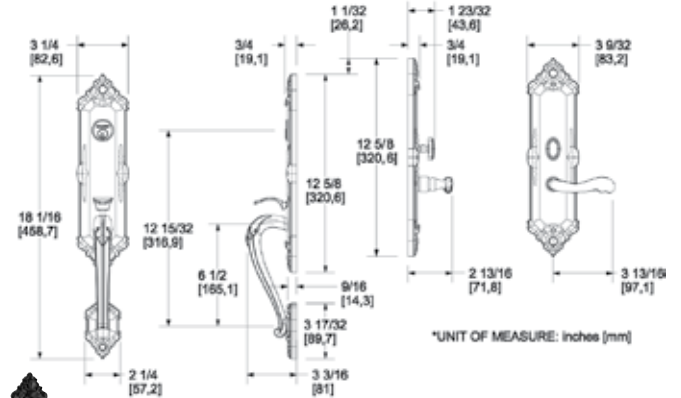
**MUST ORDER SEPARATELY**  
shown in grey

# ENTRANCE TRIM, MORTISE KENSINGTON



Item #	Description	Wt.	030, 031 003, 034, 040 050, 060, 102 112, 150, 151 190, 260, 264	003, 055 056, 402 412, 452
<b>SET</b>	6526.xxx.RENT (LENT)	Entrance Trim	Set	
	6526.xxx.RDBL (LDBL)	Double Cylinder	Set	\$495 \$570
	6526.xxx.RFD (LFD)	Full Dummy	Set	
	6526.xxx.ENFD†	1 Active Entrance Set + 1 Full Dummy Set	2 Sets	990† 1140†
<b>EXT</b>	6643.xxx	Active Exterior Trim	Each	
	6643.xxx.DM	Dummy Exterior Trim	Each	365 410
<b>INTERIOR</b>	Interior Escutcheon –			
	6525.xxx.KC	Cut for Cylinder (KC), Double Cylinder	Each	
	6525.xxx.KE**	Cut for Emergency Release (KE)	Each	195 230
	6525.xxx.KN	Cut for Knob (KN), Passage/Dummy	Each	
	6525.xxx.KT	Interior Escutcheon w/ Turn Knob (KT)	Each	230 270

†.ENFD only available in 050, 112 & 190, to ensure a finish match on all components.



Trim thickness: .56" – 1"

MORTISE  
LOCKS

Sets	6526.xxx.RENT (LENT)	6526.xxx.RDBL (LDBL)	6526.xxx.RFD (LFD)
<b>Exterior Trim</b>	6643.xxx	6643.xxx	6643.xxx.DM
<b>Interior Escutcheon</b>	6525.xxx.KT	6525.xxx.KC	6525.xxx.KT
<b>Knob/Lever</b>	5108.xxx.LMR (RMR)	5108.xxx.LMR (RMR)	5108.xxx.LMR (RMR)
<b>Spindle</b>	0530 (2.375" Half)	0533.004 (2.25" Half)	5092 (1.125" Dummy)
<b>Cylinder</b>	8325 for 1.75" door	Double	6761 (Dummy)
<b>Mortise Lock</b>	• (Lever Strength)	• (Lever Strength)	
<b>Blocking Ring</b>		•	



Designer	Entrance	Entrance	Double Cylinder	Privacy	Passage
<b>Exterior Trim</b>	6643.xxx	6525.xxx.KC	6525.xxx.KC	6525.xxx.KE**	
<b>Interior Escutcheon</b>	6525.xxx.KT	6525.xxx.KT	6525.xxx.KC	6525.xxx.KT	6525.xxx.KN (x2)
<b>Knob/Lever</b>	Half Pair	Pair	Pair	Pair	Pair
<b>Spindle</b>	•	•	•	•	•
<b>Cylinder</b>	•	•	• (Double)		
<b>Mortise Lock</b>	• (Lever Strength)	• (Lever Strength)	• (Lever Strength)	Mortise Bolt or Mortise Lock	Latch or Interior Mortise Lock
<b>Blocking Ring</b>			•		
<b>Turn Knob</b>					

REQUIRED

SEE BACK COVER FLAP for easy-ordering charts and requirements for doors thicker than 1.75"

**MUST ORDER SEPARATELY**  
shown in grey

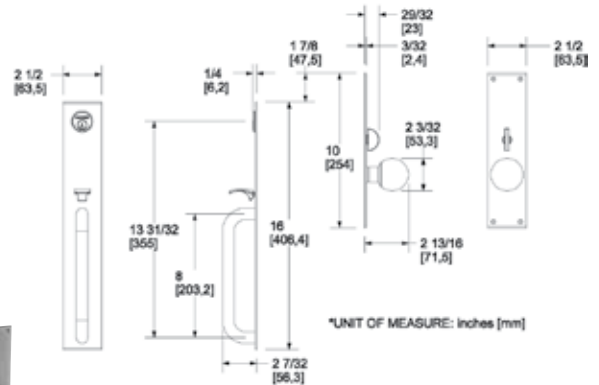
\*\* (All .KE hardware include 6701 ER cover)

BALDWIN



Item #	Description	Wt.	030, 031 034, 040 050, 060, 102 112, 150, 151 190, 260, 264	003 055 056
6540.xxx.ENTR	Entrance Trim	Set	9.5	
6540.xxx.DBLC	Double Cylinder	Set	\$595	\$670
6540.xxx.FD	Full Dummy	Set		
6540.xxx.ENFD†	1 Active Entrance Set + 1 Full Dummy Set	2 Sets	1190	1340†
6603.xxx	Active Exterior Trim	Each	465	510
6603.xxx.DM	Dummy Exterior Trim	Each		
Interior Escutcheon –				
6763.xxx.KC	Cut for Cylinder (KC), Double Cylinder	Each		
6763.xxx.KE**	Cut for Emergency Release (KE)	Each	105	140
6763.xxx.KN	Cut for Knob (KN), Passage/Dummy	Each		
6763.xxx.KT	Interior Escutcheon w/ Turn Knob (KT)	Each	140	180

NOTE: 030 is not available with Entry Trim or KC escutcheons  
†.ENFD only available in 050, 112 & 190, to ensure a finish match on all components.



MORTISE  
LOCKS

Trim width: 2.5"  
Trim thickness: .093" – B

Sets	6540.xxx.ENTR	6540.xxx.DBLC	6540.xxx.FD
Exterior Trim	6603.xxx	6603.xxx	6603.xxx.DM
Interior Escutcheon	6763.xxx.KT	6763.xxx.KC	6763.xxx.KN
Knob/Lever	5041.xxx.IMR	5041.xxx.IMR	5041.xxx.IMR
Spindle	0530 (2.375" Half)	0530 (2.375" Half)	5092 (1.125" Dummy)
Cylinder	8321 for 1.75" door	Double	6761 (Dummy)
Mortise Lock	•	•	
Blocking Ring		•	



Designer	Entrance	Entrance	Double Cylinder	Privacy	Passage
Exterior Trim	6603.xxx	6763.xxx.KC	6763.xxx.KC	6763.xxx.KE**	
Interior Escutcheon	6763.xxx.KE** (KE is cut for ER or Turn Knob – if standard Turn Knob is desired, order .KT)	6763.xxx.KT	6763.xxx.KC	6763.xxx.KT	6763.xxx.KN (x2)
Knob/Lever	Half Pair	Pair	Pair	Pair	Pair
Spindle	•	•	•	•	•
Cylinder	•	•	• (Double)	•	
Mortise Lock	•	•	•	Mortise Bolt or Mortise Lock	Latch or Interior Mortise Lock
Blocking Ring			•		
Turn Knob	•				

REQUIRED

SEE BACK COVER FLAP for easy-ordering charts and requirements for doors thicker than 1.75"

\*\* (All .KE hardware include 6701 ER cover)

**MUST ORDER SEPARATELY**  
shown in grey

# ENTRANCE TRIM, MORTISE SAN FRANCISCO

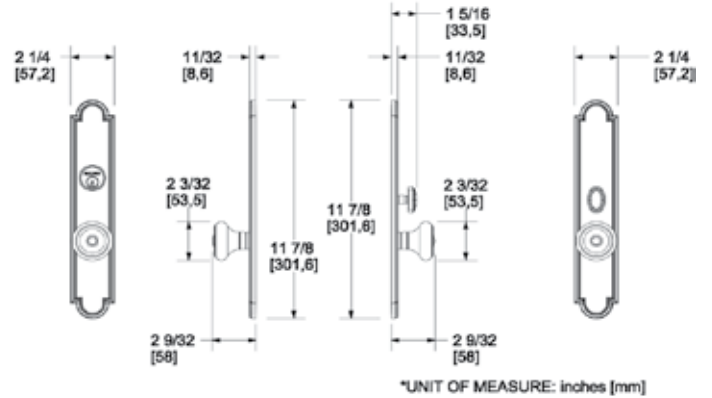


MORTISE  
LOCKS



Item #	Description	Wt.	030, 031	
			033, 034, 040	003, 055
			050, 060, 102	056, 402
			112, 150, 151	412, 452
			190, 260, 264	
6541.xxx.ENTR	Entrance Trim	Set	4.6	
6541.xxx.DBLC	Double Cylinder	Set		\$495
6541.xxx.FD	Full Dummy	Set		\$570
6541.xxx.ENFD†	1 Active Entrance Set + 1 Full Dummy Set	2 Sets		990†
6975.xxx	Active Exterior Trim only	Each		1140†
6975.xxx.DM	Dummy Exterior only	Each	250	280
6975.xxx.KC	Interior Escutcheon – Cut for Cylinder (KC), Double Cylinder	Each		
6975.xxx.KE**	Cut for Emergency Release (KE**)	Each	195	230
6975.xxx.KN	Cut for Knob (KN), Passage/Dummy	Each		
6975.xxx.KT	Interior Escutcheon w/ Turn Knob (KT)	Each	230	270
6975.xxx.KP	Escutcheons Cut for Privacy (KP)	Pair	390	460

NOTE: 030 is not available with Entry Trim or KC escutcheons  
†.ENFD only available in 050, 112 & 190, to ensure a finish match on all components.



Trim thickness: .125" – C

Sets	6541.xxx.ENTR	6541.xxx.DBLC	6541.xxx.FD
Exterior Trim	6975.xxx.KC	6975.xxx.KC	6975.xxx.KN
Interior Escutcheon	6975.xxx.KT	6975.xxx.KC	6975.xxx.KN
Knob/Lever	5020.xxx.MR (Pair)	5020.xxx.MR (Pair)	5020.xxx.MR (Pair)
Spindle	0520 (3.5" Swivel)	0520 (3.5" Straight)	0510 (3.5" Straight) & 5099.004 (x2)
Cylinder	8322 (1.75" Door)	•	
Mortise Lock	•	•	
Blocking Ring		•	



Designer	Entrance	Privacy	Passage
Exterior Trim	6975.xxx.KC	6975.xxx.KE**	
Interior Escutcheon	6975.xxx.KT	6975.xxx. (KT or .KP)	6975.xxx.KN (x2)
Knob/Lever	Pair	Pair	Pair
Spindle	•	•	•
Cylinder	•		
Mortise Lock	•	• (Mortise Bolt or Mortise Lock)	• (Latch or Mortise Lock)

REQUIRED –

SEE BACK COVER FLAP for easy-ordering charts and requirements for doors thicker than 1.75"

MUST ORDER SEPARATELY

shown in grey

\*\* (All .KE hardware include 6701 ER cover)

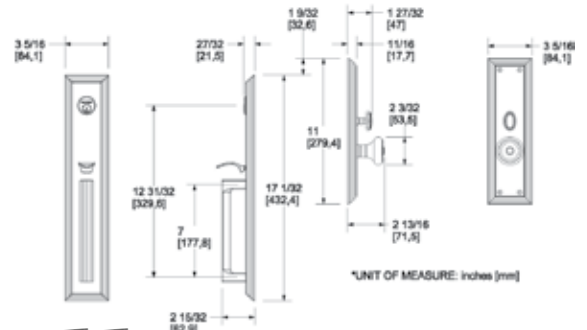
BALDWIN

# ENTRANCE TRIM, MORTISE TREMONT



	Item #	Description	Wt.	030, 031		
				033, 034, 040	003, 055	
				050, 060, 102	056, 402	
				112, 150, 151	412, 452	
SET	6542.xxx.ENTR	Entrance Trim	Set	9.5		
	6542.xxx.DBLC	Double Cylinder	Set		\$795 \$870	
	6542.xxx.FD	Full Dummy	Set			
	6542.xxx.ENFD†	1 Active Entrance Set + 1 Full Dummy Set	2 Sets		1590† 1740†	
EXT	6605.xxx.BB75	Entrance Back-to-Back	Set			
	6605.xxx.BB30	Entrance Back-to-Back	Set	1095	1170	
	6605.xxx.BBFD	Dummy Back-to-Back	Set			
	6605.xxx	Active Exterior Trim	Each	590	635	
INTERIOR	6605.xxx.DM	Dummy Exterior Trim	Each			
	Interior Escutcheon –					
	6796.xxx.KC	Cut for Cylinder (KC), Double Cylinder	Each			
	6796.xxx.KE**	Cut for Emergency Release (KE**)	Each	195	230	
	6796.xxx.KN	Cut for Knob (KN), Passage/Dummy	Each			
	6796.xxx.KT	Interior Escutcheon w/ Turn Knob (KT)	Each	230	270	
6796.xxx.KP	Escutcheons Cut for Privacy (KP)	Pair	390	460		

NOTE: 030 is not available with Entry Trim or KC escutcheons  
 †.ENFD only available in 050, 112 & 190, to ensure a finish match on all components.



MORTISE  
LOCKS

Trim width: 3.3"  
 Trim thickness: .75" – J

## Sets

	6542.xxx.ENTR	6542.xxx.DBLC	6542.xxx.FD	6605.xxx.BB75 (BB30, BBFD)
Exterior Trim	6605.xxx	6605.xxx	6605.xxx.DM	6605.xxx. (x2)
Interior Escutcheon	6796.xxx.KT	6796.xxx.KC	6796.xxx.KN	
Knob/Lever	5020.xxx.IMR	5020.xxx.IMR	5020.xxx.IMR	
Spindle	0531 (2.875" Half)	0531 (2.875" Half)	5077 (1.5" Double)	
Cylinder	8326 (1.75" Door)	(Double)	6761 (Dummy)	• (Double)
Mortise Lock	•	•		•
Blocking Ring		•		•



## Designer

	Entrance	Entrance	Double Cylinder	Privacy	Passage
Exterior Trim	6605.xxx	6796.xxx.KC	6796.xxx.KC	6796.xxx.KE**	
Interior Escutcheon	6796.xxx.KE** (KE is cut for ER or Turn Knob – if standard Turn Knob is desired, order .KT)	6796.xxx.KT	6796.xxx.KC	6796.xxx.KT or .KP	6796.xxx.KN (x2)
Knob/Lever	5162.xxx.RMR (LMR) (Lever)	Pair	Pair	Pair	Pair
Spindle	•	•	•	•	•
Cylinder	•	•	• (Double)		
Mortise Lock	•	•	•	• (Mortise Bolt or Mortise Lock)	• (Latch or Interior Mortise Lock)
Blocking Ring			•		
Turn Knob	•				

REQUIRED

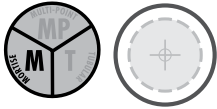
SEE BACK COVER FLAP for easy-ordering charts and requirements for doors thicker than 1.75"

\*\* (All .KE hardware include 6701 ER cover)

**MUST ORDER SEPERATELY**

shown in grey

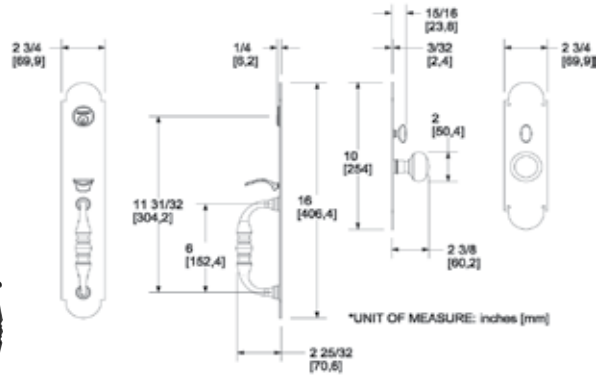
# ENTRANCE TRIM, MORTISE LANCASTER / BOSTON



Item #	Description	Wt.	030, 031 034, 040 050, 060, 102 112, 150, 151 190, 260, 264	003 055 056
6543.xxx.ENTR	Entrance Trim – <b>Lancaster</b>	Set	9.5	
6543.xxx.DBLC	Double Cylinder	Set	\$595	\$670
6543.xxx.FD	Full Dummy	Set		
6543.xxx.ENFD†	1 Active Entrance Set + 1 Full Dummy Set	2 Sets	1190	1340†
6635.xxx.BB75	Entrance Back-to-Back – 1.75" door	Set		
6635.xxx.BB30	Entrance Back-to-Back – up to 3" door	Set	995	1070
6635.xxx.BBFD	Dummy Back-to-Back	Set		
6635.xxx	Active Exterior Trim only	Each	465	510
6635.xxx.DM	Dummy Exterior only	Each		
6555.xxx.ENTR	Entrance Trim – <b>Boston</b>	Set	4.2	
6555.xxx.DBLC	Double Cylinder	Set	395	470
6555.xxx.FD	Full Dummy	Set		
6555.xxx.ENFD†	1 Active Entrance Set + 1 Full Dummy Set	2 Sets	790†	940†
	Interior Escutcheon –			
6797.xxx.KC	Cut for Cylinder (KC), Double Cylinder	Each		
6797.xxx.KE**	Cut for Emergency Release (KE)**	Each	105	140
6797.xxx.KN	Cut for Knob (KN), Passage/Dummy	Each		
6797.xxx.KT	Interior Escutcheon w/ Turn Knob (KT)	Each	140	180
6797.xxx.KP	Escutcheons Cut for Privacy (KP)	Pair	210	280

NOTE: 030 is not available with Entry Trim or KC escutcheons  
†.ENFD only available in 050, 112 & 190, to ensure a finish match on all components.

MORTISE  
LOCKS



Lancaster Sets	6543.xxx.ENTR	6543.xxx.DBLC	6543.xxx.FD	6635.xxx.BB75 (BB30, BBFD)
Exterior Trim	6635.xxx	6635.xxx	6635.xxx.DM	6635.xxx (x2)
Interior Escutcheon	6797.xxx.KT	6797.xxx.KC	6797.xxx.KN	
Knob/Lever	5000.xxx.IMR	5000.xxx.IMR	5000.xxx.IMR	
Spindle	0530 (2.375" Half)	0530 (2.375" Half)	5092 (1.125" Dummy)	
Cylinder	8321 (1.75" Door)	• (Double)	6761 (Dummy)	• (Double)
Mortise Lock	•	•		•
Blocking Ring		•		•

Trim width: 2.5"  
Trim thickness: .093" – B

Boston Sets	6555.xxx.ENTR	6555.xxx.DBLC	6555.xxx.FD
Exterior Trim	6797.xxx.KC	6797.xxx.KC	
Interior Escutcheon	6797.xxx.KT	6797.xxx.KC	6797.xxx.KN (x2)
Knob/Lever	5000.xxx.MR (Pair)	5000.xxx.MR (Pair)	5000.xxx.MR (Pair)
Spindle	0520 (3.5" Swivel)	0520 (3.5" Swivel)	0515 (3.5" Straight Spindle)
Cylinder	•	• (Double)	
Mortise Lock	•	•	
Blocking Ring		•	

REQUIRED

Designer	Lancaster Entrance	Boston Privacy
Exterior Trim	6635.xxx	6797.xxx.KE**
Interior Escutcheon	6797.xxx.KT	6797.xxx.KT or .KP
Knob/Lever	5106.xxx.RMR (L.MR)	Pair
Spindle	•	•
Cylinder	•	•
Mortise Lock	• (Lever Strength)	• (Lever Strength)
Blocking Ring		
Turn Knob		

SEE BACK COVER FLAP for easy-ordering charts and requirements for doors thicker than 1.75"

MUST ORDER SEPARATELY

shown in grey

\*\* (All .KE hardware include 6701 ER cover)

BALDWIN



# ENTRANCE TRIM, MORTISE HAMILTON / STANFORD™



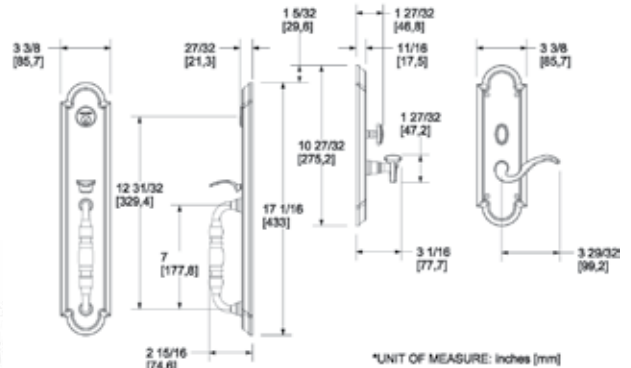
030, 031  
033, 034, 040  
050, 060, 102  
112, 150, 151  
190, 260, 264

003, 055  
056, 402  
412, 452



Item #	Description	Wt.		
6544.xxx.RENT (LENT)	Entrance Trim – <b>Hamilton</b>	Set	9.0	
6544.xxx.RDBL (LDBL)	Double Cylinder	Set	\$795	\$870
6544.xxx.RFD (LFD)	Full Dummy	Set		
6544.xxx.ENFD <sup>†</sup>	1 Active Entrance Set + 1 Full Dummy Set	2 Sets	1590 <sup>†</sup>	1740 <sup>†</sup>
6622.xxx.BB75	Entrance Back-to-Back – 1.75" door	Set		
6622.xxx.BB30	Entrance Back-to-Back – up to 3" door	Set	1095	1170
6622.xxx.BBFD	Dummy Back-to-Back	Set		
6622.xxx	Active Exterior Trim only	Each	590	635
6622.xxx.DM	Dummy Exterior only	Each		
6951.xxx.ENTR	Entrance Trim – <b>Stanford</b>	Set	6.0	
6951.xxx.DBLC	Double Cylinder	Set	495	570
6951.xxx.FD	Full Dummy	Set		
6951.xxx.ENFD <sup>†</sup>	1 Active Entrance Set + 1 Full Dummy Set	2 Sets	990 <sup>†</sup>	1140 <sup>†</sup>
	Interior Escutcheon –			
6791.xxx.KC	Cut for Cylinder (KC), Double Cylinder	Each		
6791.xxx.KE**	Cut for Emergency Release (KE**)	Each		
6791.xxx.KN	Cut for Knob (KN), Passage/Dummy	Each	195	230
6791.xxx.KT	Interior Escutcheon w/ Tum Knob (KT)	Each	230	270

NOTE: 030 is not available with Entry Trim or KC escutcheons  
<sup>†</sup>.ENFD only available in 050, 112 & 190, to ensure a finish match on all components.



MORTISE  
LOOKS

Hamilton Sets	6544.xxx.RENT (LENT)	6544.xxx.RDBL (LDBL)	6544.xxx.RFD (LFD)	6622.xxx.BB75 (BB30, BBFD)
Exterior Trim	6622.xxx	6622.xxx	6622.xxx.DM	6622.xxx (x2)
Interior Escutcheon	6791.xxx.KT	6791.xxx.KC	6791.xxx.KN	
Knob/Lever	5152.xxx.LMR (RMR)	5152.xxx.LMR (RMR)	5152.xxx.LMR (RMR)	
Spindle	0531 (2.875" Half)	0531 (2.875" Half)	5077 (1.5" Dummy)	
Cylinder	8326 for 1.75" door	• (Double)	6761 (Dummy)	• (Double)
Mortise Lock	• (Lever Strength)	•		•
Blocking Ring		•		•

Trim width: 3.375"  
Trim thickness: .75" – J



Stanford Sets	6951.xxx.ENTR	6951.xxx.DBLC	6951.xxx.FD
Exterior Trim	6791.xxx.KC	6791.xxx.KC	
Interior Escutcheon	6791.xxx.KT	6791.xxx.KC	6791.xxx.KN (x2)
Knob/Lever	5152.xxx.MR (Pair)	5152.xxx.MR (Pair)	5152.xxx.MR (Pair)
Spindle	0524 (5.5" Swivel)	0524 (5.5" Swivel)	0514 (5.5" Straight)
Cylinder	•	• (Double)	5099.004 (x2)
Mortise Lock	• (Lever Strength)	• (Lever Strength)	
Blocking Ring		•	

REQUIRED —

Designer	Hamilton Entrance	Stanford Privacy
Exterior Trim	6622.xxx	6791.xxx.KE**
Interior Escutcheon	6791.xxx.KT	6791.xxx.KT
Knob/Lever	5064.xxx.IMR	Pair
Spindle	•	•
Cylinder	•	
Mortise Lock	•	• Latch & Mortise Bolt or Lock
Blocking Ring		

SEE BACK COVER FLAP for easy-ordering charts and requirements for doors thicker than 1.75"

\*\* (All .KE hardware include 6701 ER cover)

**MUST ORDER SEPARATELY**

shown in grey

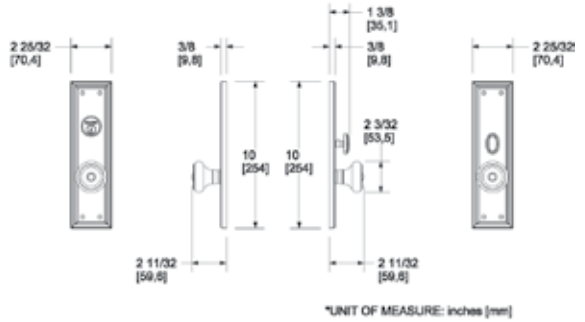
# ENTRANCE TRIM, MORTISE NASHVILLE



MORTISE  
LOCKS

Item #	Description	WT.	030, 031 034, 040 050, 060, 102 112, 150, 151 190, 260, 264	003, 055 056, 402 412, 452
6547.xxx.ENTR	Entrance Trim	Set	6.1	
6547.xxx.DBLC	Double Cylinder	Set	\$495	\$570
6547.xxx.FD	Full Dummy	Set		
6547.xxx.ENFD†	1 Active Entrance Set + 1 Full Dummy Set	2 Sets	990†	1140†
6547.xxx.DM	Dummy Exterior only	Each	250	280
<b>INTERIOR</b>				
Interior Escutcheon –				
6793.xxx.KC	Cut for Cylinder (KC), Double Cylinder	Each		
6793.xxx.KE**	Cut for Emergency Release (KE)	Each	195	230
6793.xxx.KN	Cut for Knob (KN), Passage/Dummy	Each		
6793.xxx.KT	Interior Escutcheon w/ Turn Knob (KT)	Each	230	270
6793.xxx.KP	Escutcheons Cut for Privacy (KP)	Pair	390	460

NOTE: 030 is not available with Entry Trim or KC escutcheons  
†.ENFD only available in 050, 112 & 190, to ensure a finish match on all components.



Trim thickness: .25" – E

Sets	6547.xxx.ENTR	6547.xxx.DBLC	6547.xxx.FD
Exterior Trim	6793.xxx.KC	6793.xxx.KC	
Interior Escutcheon	6793.xxx.KT	6793.xxx.KC	6793.xxx.KN (x2)
Knob/Lever	5020.xxx.MR (Pair)	5020.xxx.MR (Pair)	5020.xxx.MR (Pair)
Spindle	0522 (4" Swivel)	0522 (4" Swivel)	0511 (4" Straight)
Cylinder	8322 (1.75" Door)	8321 (1.75" Door)	5099.004 (x2)
Mortise Lock	•	•	
Blocking Ring		•	



Designer	Entrance	Privacy	Passage
Exterior Trim	6793.xxx.KC	6793.xxx.KE**	
Interior Escutcheon	6793.xxx.KT	6793.xxx.KT or .KP	6793.xxx.KN (x2)
Knob/Lever	Pair	Pair	Pair
Spindle	•	•	•
Cylinder	•		
Mortise Lock	•	• (Latch & Mortise Bolt or Mortise Lock)	• (Latch or Interior Mortise Lock)
Blocking Ring			
Turn Knob			

REQUIRED

SEE BACK COVER FLAP for easy-ordering charts and requirements for doors thicker than 1.75"

MUST ORDER SEPARATELY

shown in grey

\*\* (All .KE hardware include 6701 ER cover)

BALDWIN

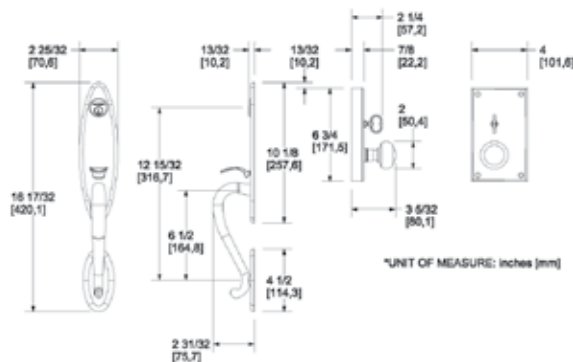
# ENTRANCE TRIM, MORTISE WILLIAMSBURG / GEORGETOWN™



**030, 031**  
**034, 040**  
**050, 060, 102**  
**112, 150, 151**  
**190, 260, 264**      **003, 055**  
**056, 402**  
**412, 452**

Item #	Description	Qty	Wt.		
6549.xxx.RENT (LENT)	Entrance Trim – <b>Williamsburg</b>	Set	9.5		
6549.xxx.RDBL (LDBL)	Double Cylinder	Set		\$495	\$570
6549.xxx.RFD (LFD)	Full Dummy	Set			
6549.xxx.ENFD <sup>†</sup>	1 Active Entrance Set + 1 Full Dummy Set	2 Sets		990 <sup>†</sup>	1140 <sup>†</sup>
6628.xxx.BB75	Entrance Back-to-Back – 1.75" door	Set			
6628.xxx.BB30	Entrance Back-to-Back – up to 3" door	Set		795	870
6628.xxx.BBFD	Dummy Back-to-Back	Set			
6628.xxx	Active Exterior Trim only	Each		365	410
6628.xxx.DM	Dummy Exterior only	Each			
6550.xxx.RENT (LENT)	Entrance Trim – <b>Georgetown</b>	Set			
6550.xxx.RDBL (LDBL)	Double Cylinder	Set		395	470
6550.xxx.RFD (LFD)	Full Dummy	Set			
6550.xxx.ENFD <sup>†</sup>	1 Active Entrance Set + 1 Full Dummy Set	2 Sets		790 <sup>†</sup>	940 <sup>†</sup>
	Interior Escutcheon –				
6505.xxx.RKC (LKC)	Cut for Cylinder (KC), Double Cylinder	Each			
6505.xxx.RKE (LKE)	Cut for Emergency Release (KE)	Each		105	140
6505.xxx.RKN (LKN)	Cut for Knob (KN), Passage/Dummy	Each			
6505.xxx.RKT (LKT)	Interior Escutcheon w/ Turn Knob (KT)	Each		140	180

NOTE: 030 is not available with Entry Trim or KC escutcheons  
†.ENFD only available in 050, 112 & 190, to ensure a finish match on all components.



Williamsburg Sets	6549.xxx.RENT (LENT)	6549.xxx.RDBL (LDBL)	6549.xxx.RFD (LFD)	6622.xxx.BB75 (BB30, BBFD)
Exterior Trim	6628.xxx	6628.xxx	6628.xxx.DM	6628.xxx (x2)
Interior Escutcheon	6505.xxx.LKT (RKT)	6505.xxx.LKC (RKC)	6505.xxx.LKN (RKN)	
Knob/Lever	5000.xxx.IMR	5000.xxx.IMR	5000.xxx.IMR	
Spindle	0531 (2.875" Half)	0531 (2.875" Half)	5077 (1.5" Dummy)	
Cylinder	8323 (1.75" Door)	• (Double)	• (Dummy)	• (Double)
Mortise Lock	•	•		•
Blocking Ring		•		

Trim width: 2.75"  
Trim thickness: .3125" – F  
Interior trim thickness: .875" – K

NOTE: NOT available for Reverse Bevel conditions  
Not available for doors thicker than 3"

Georgetown Sets	6550.xxx.RENT (LENT)	6550.xxx.RDBL (LDBL)	6550.xxx.RFD (LFD)
Cylinder Collar	6757.xxx	6757.xxx	
Rose	5002.xxx.I	5002.xxx.I	5002.xxx.I
Interior Escutcheon	6505.xxx.LKT	6505.xxx.LKC	6505.xxx.LKN
Knob/Lever	5000.xxx.MR (Pair)	5000.xxx.MR (Pair)	5000.xxx.MR (Pair)
Spindle	0526 (4.5" Swivel)*	0526 (4.5" Swivel)*	0512 (4.5" Straight)*
Cylinder	•	• (Double)	
Mortise Lock	•	•	
Blocking Ring		•	

\*Spindle shown for 1.75" door thickness. For other door thicknesses, please contact Baldwin customer service.

## Designer

	Williamsburg Entrance	Georgetown Privacy
Exterior Trim	6628.xxx	
Interior Escutcheon	6505.xxx.LKT	6505.xxx.LKT
Knob/Lever	5106.xxx.RMR (LMR)	Pair
Spindle	•	•
Cylinder	•	
Mortise Lock	• (Lever Strength)	• Latch & Mortise Bolt or Lock
Turn Knob		
Other		ER Trim, Rose (for Exterior)

REQUIRED —

SEE BACK COVER FLAP for easy-ordering charts and requirements for doors thicker than 1.75"

\*\*(All .KE hardware include 6701 ER cover)

**MUST ORDER SEPARATELY**

shown in grey

MORTISE  
LOCKS

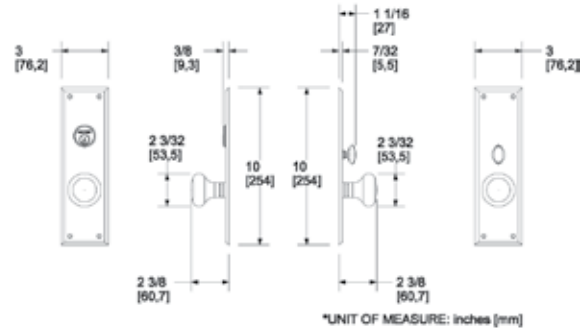
# ENTRANCE TRIM, MORTISE BALTIMORE



MORTISE  
LOCKS

	Item #	Description	Wt.	030, 031	
				033, 034, 040	003
SET	6552.xxx.ENTR	Entrance Trim	Set	3.6	
	6552.xxx.DBLC	Double Cylinder	Set	\$395	\$470
	6552.xxx.FD	Full Dummy	Set		
EXT	6552.xxx.ENFD†	1 Active Entrance Set + 1 Full Dummy Set	2 Sets	790†	940†
	6552.xxx.DM	Dummy Exterior only	Each	200	230
INTERIOR	Interior Escutcheon –				
	6767.xxx.KC	Cut for Cylinder (KC), Double Cylinder	Each		
	6767.xxx.KE**	Cut for Emergency Release (KE)	Each	105	140
	6767.xxx.KN	Cut for Knob (KN), Passage/Dummy	Each		
	6767.xxx.KT	Interior Escutcheon w/ Turn Knob (KT)	Each	140	180
	6767.xxx.KP	Escutcheons Cut for Privacy (KP)	Pair	210	280

NOTE: 030 is not available with Entry Trim or KC escutcheons  
†.ENFD only available in 050, 112 & 190, to ensure a finish match on all components.



Trim thickness: .1875" – D



Sets	6552.xxx.ENTR	6552.xxx.DBLC	6552.xxx.FD
Exterior Trim	6767.xxx.KC	6767.xxx.KC	6552.xxx.KN
Interior Escutcheon	6767.xxx.KT	6767.xxx.KC	6767.xxx.KN
Knob/Lever	5015.xxx.MR (Pair)	5015.xxx.MR (Pair)	5015.xxx. MR (Pair)
Spindle	0522 (4" Swivel)	0522 (4" Swivel)	5099.004 (x2)
Cylinder	8322 for 1.75" door	• (Double)	
Mortise Lock	•		
Blocking Ring		•	



Designer	Entrance	Privacy	Passage
Exterior Trim	6767.xxx.KC	6767.xxx.KE**	
Interior Escutcheon	6767.xxx.KT	6767.xxx.KT or .KP	6767.xxx.KN (x2)
Knob/Lever	5106.xxx.MR (Pair)	5015.xxx.MR (Pair)	5015.xxx.MR (Pair)
Spindle	•	•	•
Cylinder	•		
Mortise Lock	•	• (Latch & Mortise Bolt or Mortise Lock)	• (Latch or Interior Mortise Lock)
Blocking Ring			
Turn Knob			

REQUIRED

SEE BACK COVER FLAP for easy-ordering charts and requirements for doors thicker than 1.75"

**MUST ORDER SEPARATELY**  
shown in grey

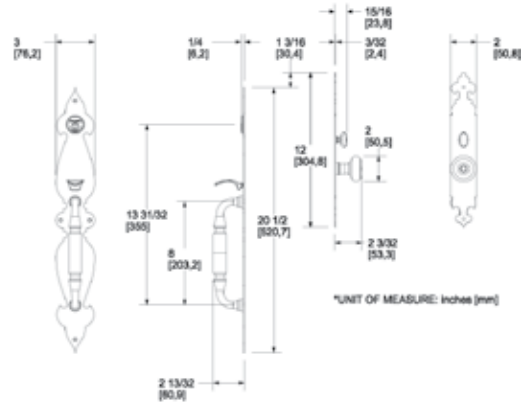
\*\* (All .KE hardware include 6701 ER cover)

BALDWIN



Item #	Description	Wt.	030, 031 034, 040	
			050, 060, 102 112, 150, 151 190, 260, 264	003 055 056
SET	6557.xxx.ENTR	Entrance Trim	Set	9.5
	6557.xxx.DBLC	Double Cylinder	Set	\$595
	6557.xxx.FD	Full Dummy	Set	\$670
EXT	6557.xxx.ENFD†	1 Active Entrance Set + 1 Full Dummy Set	2 Sets	1190
	6606.xxx	Active Exterior Trim	Each	465
INTERIOR	6606.xxx.DM	Dummy Exterior Trim	Each	510
		Interior Escutcheon –		
	6774.xxx.KC	Cut for Cylinder (KC), Double Cylinder	Each	
	6774.xxx.KE**	Cut for Emergency Release (KE)	Each	105
	6774.xxx.KN	Cut for Knob (KN), Passage/Dummy	Each	140
6774.xxx.KT	Interior Escutcheon w/ Turn Knob (KT)	Each	140	

NOTE: 030 is not available with Entry Trim or KC escutcheons  
†.ENFD only available in 050, 112 & 190, to ensure a finish match on all components.



Trim width: 3"  
Trim thickness: .093" – B

MORTISE  
LOCKS

Sets	6557.xxx.ENTR	6557.xxx.DBLC	6557.xxx.FD
Exterior Trim	6606.xxx	6606.xxx	6606.xxx.DM
Interior Escutcheon	6774.xxx.KT	6774.xxx.KC	6774.xxx.KN
Knob/Lever	5005.xxx.IMR	5005.xxx.IMR	5005.xxx.IMR
Spindle	0530 (2.375" Half)	0530 (2.375" Half)	5092 (1.125" Dummy)
Cylinder	8321 (1.75" Door)	• (Double)	6761 (Dummy)
Mortise Lock	•	•	
Blocking Ring		•	



Designer	Entrance
Exterior Trim	6606.xxx
Interior Escutcheon	6774.xxx.KT
Knob/Lever	5132.xxx.RMR (LMR)
Spindle	•
Cylinder	•
Mortise Lock	• (Lever Strength)
Blocking Ring	
Turn Knob	

SEE BACK COVER FLAP for easy-ordering charts and requirements for doors thicker than 1.75"

\*\* (All .KE hardware include 6701 ER cover)

**MUST ORDER SEPARATELY**

shown in grey

# ENTRANCE TRIM, MORTISE LEXINGTON / WILMINGTON

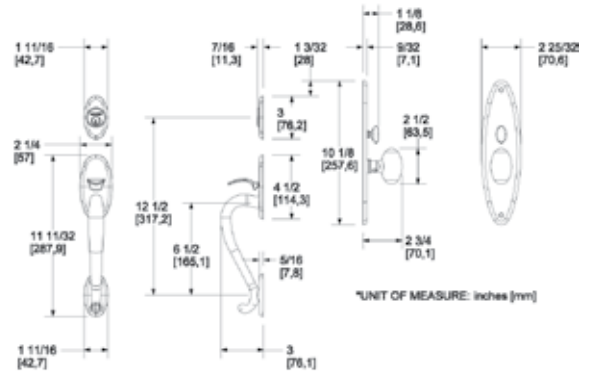


MORTISE  
LOCKS

030, 031  
034, 040  
050, 060, 102  
112, 150, 151  
190, 260, 264  
003, 055  
056, 402  
412, 452

	Item #	Description	Wt.		
SET	6560.xxx.ENTR	Entrance Trim – <b>Lexington</b>	Set	4.3	
	6560.xxx.DBLC	Double Cylinder	Set	\$495	\$570
	6560.xxx.FD	Full Dummy	Set		
	6560.xxx.ENFD†	1 Active Entrance Set + 1 Full Dummy Set	2 Sets	990†	1140†
	6621.xxx.BB75	Entrance Back-to-Back – 1.75" door	Set		
EXT	6621.xxx.BB30	Entrance Back-to-Back – up to 3" door	Set	795	870
	6621.xxx.BBFD	Dummy Back-to-Back	Set		
SET	6621.xxx	Active Exterior Trim only	Each	365	410
	6621.xxx.DM	Dummy Exterior only	Each		
SET	6546.xxx.ENTR	Entrance Trim – <b>Wilmington</b>	Set	3.4	
	6546.xxx.DBLC	Double Cylinder	Set	395	470
	6546.xxx.FD	Full Dummy	Set		
	6546.xxx.ENFD†	1 Active Entrance Set + 1 Full Dummy Set	2 Sets	790†	940†
INTERIOR		Interior Escutcheon –			
	6795.xxx.KC	Cut for Cylinder (KC), Double Cylinder	Each		
	6795.xxx.KE**	Cut for Emergency Release (KE)	Each	105	140
	6795.xxx.KN	Cut for Knob (KN), Passage/Dummy	Each		
	6795.xxx.KT	Interior Escutcheon w/ Turn Knob (KT)	Each	140	180

NOTE: 030 is not available with Entry Trim or KC escutcheons  
†.ENFD only available in 050, 112 & 190, to ensure a finish match on all components.



Lexington <b>Sets</b>	6560.xxx.ENTR	6560.xxx.DBLC	6560.xxx.FD	6621.xxx.BB75 (BB30, BBFD)
<b>Exterior Trim</b>	6621.xxx	6621.xxx	6621.xxx.DM	6621.xxx (x2)
<b>Interior Escutcheon</b>	6795.xxx.KT	6795.xxx.KC	6795.xxx.KN	
<b>Knob/Lever</b>	5025.xxx.IMR	5025.xxx.IMR	5025.xxx.IMR	
<b>Spindle</b>	0530 (2.375" Half)	0530 (2.375" Half)	5092 (1.125" Dummy)	
<b>Cylinder</b>	8323 (1.75" Door)	• (Double)	6761 (Dummy)	• (Double)
<b>Mortise Lock</b>	•	•		•
<b>Blocking Ring</b>	•	•		•

Trim width: 2.25"  
Trim thickness: .3125" – F



Wilmington <b>Sets</b>	6546.xxx.ENTR	6546.xxx.DBLC	6546.xxx.FD
<b>Exterior Trim</b>	6795.xxx.KC	6795.xxx.KC	
<b>Interior Escutcheon</b>	6795.xxx.KT	6795.xxx.KC	6795.xxx.KN (x2)
<b>Knob/Lever</b>	5025.xxx.MR (Pair)	5025.xxx.MR (Pair)	5025.xxx.MR (Pair)
<b>Spindle</b>	0522 (4" Swivel)	0522 (4" Swivel)	0511 (4" Straight)
<b>Cylinder</b>	•	• (Double)	
<b>Mortise Lock</b>	•	•	
<b>Blocking Ring</b>		•	

REQUIRED –

REQUIRED –

<b>Designer</b>	Lexington Entrance	Wilmington Privacy
<b>Exterior Trim</b>	6621.xxx	6795.xxx.KE**
<b>Interior Escutcheon</b>	6795.xxx.KT	6795.xxx.KT
<b>Knob/Lever</b>	Half Pair	Pair
<b>Spindle</b>	•	•
<b>Cylinder</b>	•	
<b>Mortise Lock</b>	• (Lever Strength)	• (Latch & Bolt or Lock)
<b>Blocking Ring</b>		
<b>Turn Knob</b>		

SEE BACK COVER FLAP for easy-ordering charts and requirements for doors thicker than 1.75"

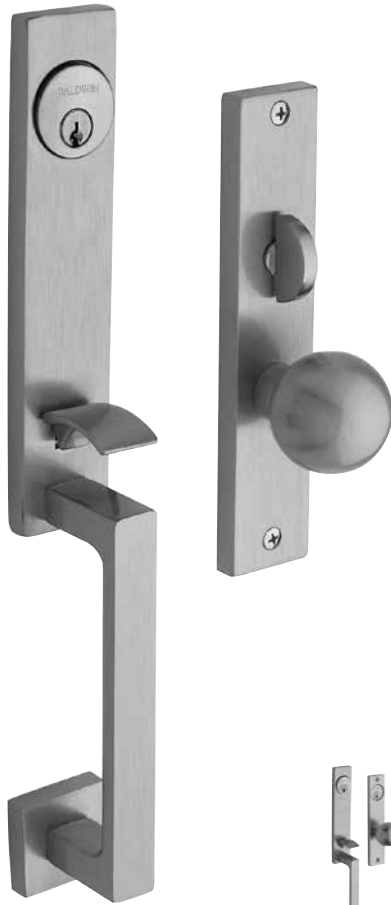
**MUST ORDER SEPARATELY**  
shown in grey

\*\* (All .KE hardware include 6701 ER cover)

BALDWIN

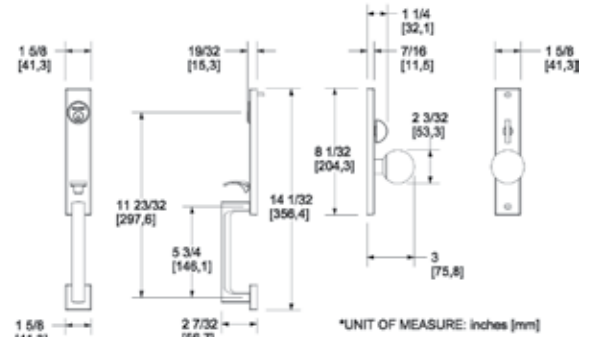


# ENTRANCE TRIM, MORTISE NEW YORK / DETROIT



Item #	Description	Wt.	030, 031 033, 034, 040	003, 055 056, 402 412, 452
6562.xxx.ENTR	Entrance Trim – <b>New York</b>	Set	9.5	
6562.xxx.DBLC	Double Cylinder	Set	\$495	\$570
6562.xxx.FD	Full Dummy	Set		
6562.xxx.ENFD <sup>†</sup>	1 Active Entrance Set + 1 Full Dummy Set	2 Sets	990 <sup>†</sup>	1140 <sup>†</sup>
6608.xxx.BB75	Entrance Back-to-Back – 1.75" door	Set		
6608.xxx.BB30	Entrance Back-to-Back – up to 3" door	Set	795	870
6608.xxx.BBFD	Dummy Back-to-Back	Set		
6608.xxx	Active Exterior Trim only	Each	365	410
6608.xxx.DM	Dummy Exterior only	Each		
6548.xxx.ENTR	Entrance Trim – <b>Detroit</b>	Set	4.5	
6548.xxx.DBLC	Double Cylinder	Set	\$395	470
6548.xxx.FD	Full Dummy	Set		
6548.xxx.ENFD <sup>†</sup>	1 Active Entrance Set + 1 Full Dummy Set	2 Sets	790 <sup>†</sup>	940 <sup>†</sup>
	Interior Escutcheon –			
6503.xxx.KCOS (KCIS)	Cut for Cylinder (KC), Double Cylinder	Each		
6503.xxx.KEOS (KEIS)	Cut for Emergency Release (KE <sup>**</sup> )	Each	105	140
6503.xxx.KNOS (KNIS)	Cut for Knob (KN), Passage/Dummy	Each		
6503.xxx.KTOS (KTIS)	Interior Escutcheon w/ Turn Knob (KT)	Each	140	180

NOTE: 030 is not available with Entry Trim or KC escutcheons  
<sup>†</sup>.ENFD only available in 050, 112 & 190, to ensure a finish match on all components.



MORTISE  
LOOKS

## New York Sets

	6562.xxx.ENTR	6562.xxx.DBLC	6562.xxx.FD	6608.xxx.BB75 (BB30, BBFD)
Exterior Trim	6608.xxx	6608.xxx	6608.xxx.DM	6608.xxx (x2)
Interior Escutcheon	6503.xxx.KTIS	6503.xxx.KCIS	6503.xxx.KNIS	
Knob/Lever	5041.xxx.JMR	5041.xxx.RMR (LMR)	5041.xxx.JMR	
Spindle	0530 (2.375" Half)	0530 (2.875" Half)	5092 (1.125" Dummy)	
Cylinder	8323 for 1.75" door	• (Double)	6761 (Dummy)	• (Double)
Mortise Lock	•	•		•
Blocking Ring		•		•

Trim width: 1.625"  
Trim thickness: .25" – E

## Detroit Sets

	6548.xxx.ENTR	6548.xxx.DBLC	6548.xxx.FD
Exterior Trim	6503.xxx.KCOS	6503.xxx.KCOS	6503.xxx.KNOS
Interior Escutcheon	6503.xxx.KTIS	6503.xxx.KCIS	6503.xxx.KNIS
Knob/Lever	5041.xxx.MR (Pair)	5041.xxx.MR (Pair)	5041.xxx.MR (Pair)
Spindle	0522 (4" Swivel)	0522 (4" Swivel)	0511 (4" Straight)
Cylinder	•	• (Double)	
Mortise Lock	•	•	
Blocking Ring		•	
Adaptor			5099.004 (x2)

REQUIRED

## Designer

	New York Entrance	Detroit Privacy
Exterior Trim	6608.xxx	6503.xxx.KEOS
Interior Escutcheon	6503.xxx.KEIS (KEIS is cut for ER or Turn Knob – if standard Turn Knob is desired, order .KT)	6503.xxx.KTIS
Knob/Lever	Half Pair	Pair
Spindle	•	•
Cylinder	•	
Mortise Lock	• (Lever Strength)	• Latch & Mortise Bolt or Lock
Blocking Ring		
Turn Knob	•	

SEE BACK COVER FLAP for easy-ordering charts and requirements for doors thicker than 1.75"

\*\*All .KE hardware include 6701 ER cover)

**MUST ORDER SEPARATELY**

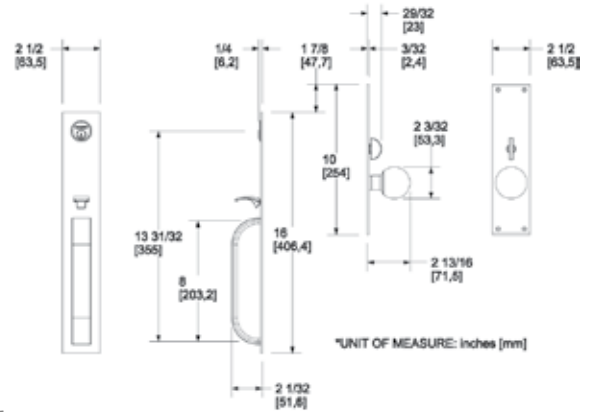
shown in grey

# ENTRANCE TRIM, MORTISE CHICAGO



Item #	Description	Wt.	030, 031 034, 040 050, 060, 102 112, 150, 151 190, 260, 264	003 055 056
6563.xxx.ENTR	Entrance Trim	Set	9.5	
6563.xxx.DBLC	Double Cylinder	Set	\$595	\$670
6563.xxx.FD	Full Dummy	Set		
6563.xxx.ENFD†	1 Active Entrance Set + 1 Full Dummy Set	2 Sets	1190	1340†
6614.xxx	Active Exterior Trim	Each	465	510
6614.xxx.DM	Dummy Exterior Trim	Each		
	Interior Escutcheon –			
6763.xxx.KC	Cut for Cylinder (KC), Double Cylinder	Each		
6763.xxx.KE**	Cut for Emergency Release (KE)	Each	105	140
6763.xxx.KN	Cut for Knob (KN), Passage/Dummy	Each		
6763.xxx.KT	Interior Escutcheon w/ Turn Knob (KT)	Each	140	180

NOTE: 030 is not available with Entry Trim or KC escutcheons  
†.ENFD only available in 050, 112 & 190, to ensure a finish match on all components.



MORTISE  
LOCKS

Sets	6563.xxx.ENTR	6563.xxx.DBLC	6563.xxx.FD
Exterior Trim	6614.xxx	6614.xxx	6614.xxx.DM
Interior Escutcheon	6763.xxx.KT	6763.xxx.KC	6763.xxx.KN
Knob/Lever	5041.xxx.IMR	5041.xxx.IMR	5041.xxx.IMR
Spindle	0530 (2.375" Half)	0530 (2.375" Half)	5092 (1.125" Dummy)
Cylinder	8321 (1.75" Door)	• (Double)	6761 (Dummy)
Mortise Lock	•	•	
Blocking Ring		•	

Trim width: 2.5"  
Trim thickness: .093" – B



Designer	Entrance	Entrance	Double Cylinder	Privacy	Passage
Exterior Trim	6614.xxx	6763.xxx.KC	6763.xxx.KC	6763.xxx.KE**	
Interior Escutcheon	6763.xxx.KE** (KE is cut for ER or Turn Knob – if standard Turn Knob is desired, order .KT)	6763.xxx.KT	6763.xxx.KC	6763.xxx.KT	6763.xxx.KN (x2)
Knob/Lever	Half Pair	Pair	Pair	Pair	Pair
Spindle	•	•	•	•	•
Cylinder	•	•	• (Double)	•	
Mortise Lock	•	•	•	• (Latch & Bolt or Lock)	• (Latch or Interior Lock)
Blocking Ring			•		
Turn Knob	•				

REQUIRED –

SEE BACK COVER FLAP for easy-ordering charts and requirements for doors thicker than 1.75"

MUST ORDER SEPARATELY

shown in grey

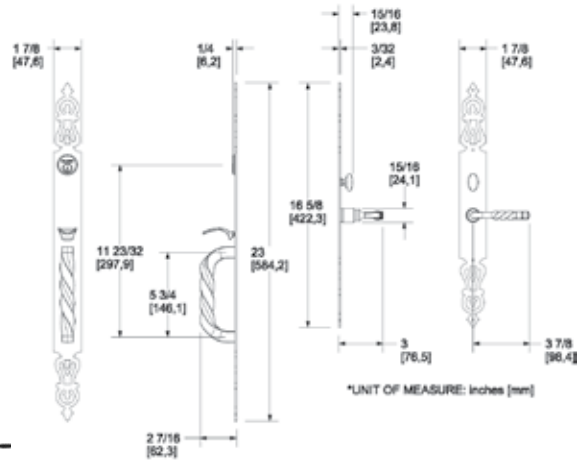
\*\* (All .KE hardware include 6701 ER cover)

BALDWIN



Item #	Description	Wt.	030, 031 034, 040 050, 060, 102 112, 150, 151 190, 260, 264	003 055 056
6565.xxx.RENT (.LENT)	Entrance Trim	Set	9.5	
6565.xxx.RDBL	Double Cylinder	Set	\$595	\$670
6565.xxx.RFD	Full Dummy	Set		
6565.xxx.ENFD†	1 Active Entrance Set + 1 Full Dummy Set	2 Sets	1190	1340†
6634.xxx	Active Exterior Trim	Each		
6634.xxx.DM	Dummy Exterior Trim	Each	465	510
	Interior Escutcheon –			
6642.xxx.KC	Cut for Cylinder (KC), Double Cylinder	Each		
6642.xxx.KE**	Cut for Emergency Release (KE)	Each	105	140
6642.xxx.KN	Cut for Knob (KN), Passage/Dummy	Each		
6642.xxx.KT	Interior Escutcheon w/ Turn Knob (KT)	Each	140	180

NOTE: 030 is not available with Entry Trim or KC escutcheons  
†.ENFD only available in 050, 112 & 190, to ensure a finish match on all components.



MORTISE  
LOCKS

**Sets**

	6565.xxx.RENT (.LENT)	6565.xxx.RDBL (LDBL)	6565.xxx.RFD (LFD)
Exterior Trim	6634.xxx	6634.xxx	6634.xxx
Interior Escutcheon	6642.xxx.KT	6642.xxx.KC	6642.xxx.KN
Knob/Lever	5132.xxx.LMR (RMR)	5132.xxx.LMR (RMR)	5132.xxx.LMR (RMR)
Spindle	0530 (2.375" Half)	0530 (2.375" Half)	5092 (1.125" Dummy)
Cylinder	8321 (1.75" Door)	• (Double)	6761 (Dummy)
Mortise Lock	•	•	
Blocking Ring		•	

Trim width: 1.875"  
Trim thickness: .093" – B



**Designer**

	Entrance	Entrance	Double Cylinder	Privacy	Passage
Exterior Trim	6634.xxx	6642.xxx.KC	6642.xxx.KC	6642.xxx.KE**	
Interior Escutcheon	6642.xxx.KT	6642.xxx.KT	6642.xxx.KC	6642.xxx.KT	6642.xxx.KN (x2)
Knob/Lever	Half Pair	Pair	Pair	Pair	Pair
Spindle	•	•	•	•	•
Cylinder	•	•	• (Double)		
Mortise Lock	• (Lever Strength)	•	•	• (Latch & Bolt or Lock)	• (Latch or Lock)
Blocking Ring			•		
Turn Knob					

REQUIRED

SEE BACK COVER FLAP for easy-ordering charts and requirements for doors thicker than 1.75"

\*\* (All .KE hardware include 6701 ER cover)

**MUST ORDER SEPARATELY**

shown in grey

# ENTRANCE TRIM, MORTISE TRENTON / READING



MORTISE  
LOCKS

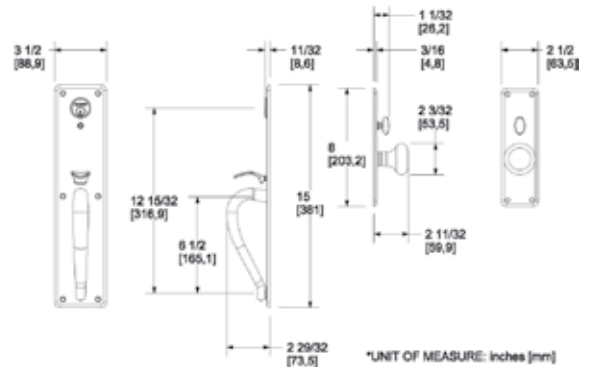
030, 031  
034, 040  
050, 060, 102  
112, 150, 151  
190, 260, 264

003  
055  
056

	Item #	Description	Wt.		
SET	6567.xxx.ENTR	Entrance Trim – Trenton	Set	9.5	
	6567.xxx.DBLC	Double Cylinder	Set	\$595	\$670
	6567.xxx.FD	Full Dummy	Set		
	6567.xxx.ENFD†	1 Active Entrance Set + 1 Full Dummy Set	2 Sets	1190	1340†
EXT	6602.xxx	Active Exterior Trim only	Each	465	510
	6602.xxx.DM	Dummy Exterior only	Each		
INTERIOR		Interior Escutcheon –			
	6508.xxx.KC	Cut for Cylinder (KC), Double Cylinder	Each	105	140
	6508.xxx.KN	Cut for Knob (KN), Passage/Dummy	Each		
	6508.xxx.KT	Interior Escutcheon w/ Turn Knob (KT)	Each	140	180
SET	6551.xxx.ENTR	Entrance Trim – Reading	Set	4.2	
	6551.xxx.DBLC	Double Cylinder	Set	395	470
	6551.xxx.FD	Full Dummy	Set		
	6551.xxx.ENFD†	1 Active Entrance Set + 1 Full Dummy Set	2 Sets	790†	940†
INTERIOR		Interior Escutcheon –			
	6765.xxx.KC	Cut for Cylinder (KC), Double Cylinder	Each		
	6765.xxx.KE**	Cut for Emergency Release (KE)	Each	105	140
	6765.xxx.KN	Cut for Knob (KN), Passage/Dummy	Each		
	6765.xxx.KT	Interior Escutcheon w/ Turn Knob (KT)	Each	140	180

NOTE: 030 is not available with Entry Trim or KC escutcheons  
Exterior screws are decorative only.  
†.ENFD only available in 050, 112 & 190, to ensure a finish match on all components.

Style not recommended for 2-1/2 backset locks.



Trim width: 2.25"  
Trim thickness: .1875" – D

Trenton Sets	6567.xxx.ENTR	6567.xxx.DBLC	6567.xxx.FD
Exterior Trim	6602.xxx	6602.xxx	6602.xxx.DM
Interior Escutcheon	6508.xxx.KT	6508.xxx.KC	6508.xxx.KN
Knob/Lever	5015.xxx.IMR	5015.xxx.IMR	5015.xxx.IMR
Spindle	0530 (2.375" Half)	0530 (2.375" Half)	5092 (1.125" Dummy)
Cylinder	8322 (1.75" Door)	• (Double)	6761 (Dummy)
Mortise Lock	•	•	
Blocking Ring		•	

Reading Sets	6551.xxx.ENTR	6551.xxx.DBLC	6551.xxx.FD
Exterior Trim	6765.xxx.KC	6765.xxx.KC	
Interior Escutcheon	6765.xxx.KT	6765.xxx.KC	6765.xxx.KN (x2)
Knob/Lever	5015.xxx.MR (Pair)	5015.xxx.MR (Pair)	5015.xxx.MR (Pair)
Spindle	0522 (4" Swivel)	0522 (4" Swivel)	0511 (4" Straight)
Cylinder	•	• (Double)	5099.004 (x2)
Mortise Lock	•	•	
Blocking Ring		•	

Designer	Trenton Entrance	Reading Privacy
Exterior Trim	6602.xxx	6765.xxx.KE**
Interior Escutcheon	6508.xxx.KT	6765.xxx.KT
Knob/Lever	Half Pair	Pair
Spindle	•	•
Cylinder	•	
Mortise Lock	• (Lever Strength)	• (Latch & Bolt or Lock)
Turn Knob		
Other		

REQUIRED —

SEE BACK COVER FLAP for easy-ordering charts and requirements for doors thicker than 1.75"

MUST ORDER SEPARATELY

shown in grey

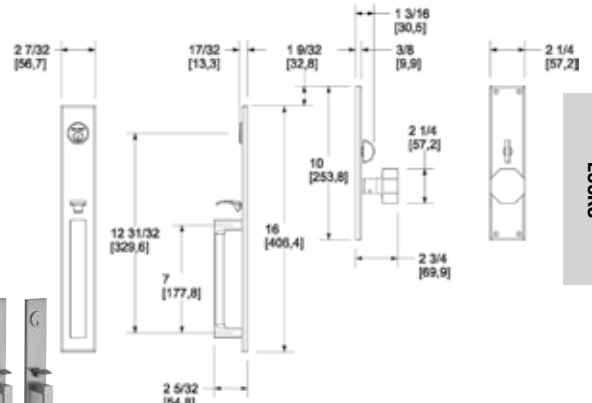
\*\* (All .KE hardware include 6701 ER cover)

BALDWIN



Item #	Description	Wt.	030, 031 033, 034, 040 050, 060, 102 112, 150, 151 190, 260, 264	003, 055 056, 402 412, 452
6570.xxx.ENTR	Entrance Trim	Set	9.5	
6570.xxx.DBLC	Double Cylinder	Set	\$595	\$670
6570.xxx.FD	Full Dummy	Set		
6570.xxx.ENFD <sup>†</sup>	1 Active Entrance Set + 1 Full Dummy Set	2 Sets	1190	1340 <sup>†</sup>
6619.xxx.BB75	Entrance Back-to-Back – 1.75" door	Set	995	1070
6619.xxx.BB30	Entrance Back-to-Back – up to 3" door	Set		
6619.xxx	Active Exterior Trim	Each	465	510
6619.xxx.DM	Dummy Exterior Trim	Each		
<b>INTERIOR</b>				
Interior Escutcheon –				
6513.xxx.KC	Cut for Cylinder (KC), Double Cylinder	Each		
6513.xxx.KE**	Cut for Emergency Release (KE)	Each	105	140
6513.xxx.KN	Cut for Knob (KN), Passage/Dummy	Each		
6513.xxx.KT	Interior Escutcheon w/ Turn Knob (KT)	Each	140	180
6513.xxx.KP	Escutcheons Cut for Privacy (KP)	Pair	210	280

NOTE: 030 is not available with Entry Trim or KC escutcheons  
†.ENFD only available in 050, 112 & 190, to ensure a finish match on all components.



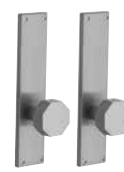
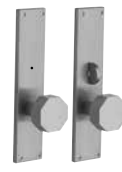
\*UNIT OF MEASURE: inches [mm]

Trim width: 2.25"  
Trim thickness: .375" – G

MORTISE  
LOCKS

**Sets**

	6570.xxx.ENTR	6570.xxx.DBLC	6570.xxx.FD	6619.xxx.BB75 (BB30, BBFD)
Exterior Trim	6619.xxx	6619.xxx	6619.xxx.DM	6619.xxx (x2)
Interior Escutcheon	6513.xxx.KT	6513.xxx.KC	6513.xxx.KN	
Knob/Lever	5073.xxx.IMR	5073.xxx.IMR	5073.xxx.IMR	
Spindle	0530 (2.375" Half)	0530 (2.375" Half)	5092 (1.125" Dummy)	
Cylinder	8323 for 1.75" door	8325 for 1.75" door	6761 (Dummy)	• (Double)
Mortise Lock	•	•		•
Blocking Ring		•		•



**Designer**

	Entrance	Entrance	Double Cylinder	Privacy	Passage
Exterior Trim	6619.xxx	6513.xxx.KC	6513.xxx.KC	6513.xxx.KE**	
Interior Escutcheon	6513.xxx.KE** (.KE is cut for ER or Turn Knob – if standard Turn Knob is desired, order .KT)	6513.xxx.KT	6513.xxx.KC	6513.xxx.KT or .KP	6513.xxx.KN (x2)
Knob/Lever	Half Pair	Pair	Pair	Pair	Pair
Spindle	•	•	•	•	•
Cylinder	•	•	• (Double)		
Mortise Lock	• (Lever Strength)	•	•	• (Latch & Bolt or Lock)	• (Latch or Interior Lock)
Blocking Ring			•		
Turn Knob	•				

REQUIRED

SEE BACK COVER FLAP for easy-ordering charts and requirements for doors thicker than 1.75"

\*\*All .KE hardware include 6701 ER cover)

**MUST ORDER SEPARATELY**

shown in grey

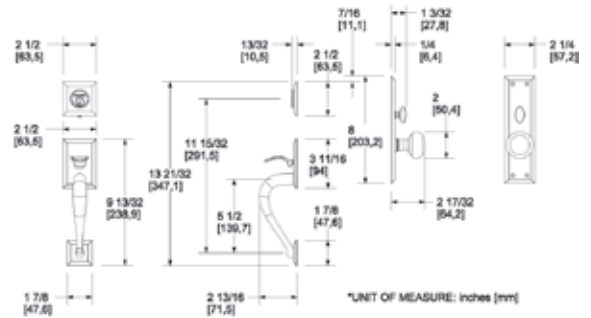
# ENTRANCE TRIM, MORTISE CONCORD



MORTISE  
LOCKS

Item #	Description	Wt.	030, 031 033, 034, 040 050, 060, 102 112, 150, 151 190, 260, 264	003 055 056
6571.xxx.ENTR	Entrance Trim	Set	3.8	
6571.xxx.DBLC	Double Cylinder	Set	\$495	\$570
6571.xxx.FD	Full Dummy	Set		
6571.xxx.ENFD†	1 Active Entrance Set + 1 Full Dummy Set	2 Sets	990†	1140†
6604.xxx	Active Exterior Trim only	Each	365	410
6604.xxx.DM	Dummy Exterior only	Each		
Interior Escutcheon –				
6794.xxx.KC	Cut for Cylinder (KC), Double Cylinder	Each		
6794.xxx.KE	Cut for Emergency Release (KE)	Each	105	140
6794.xxx.KN	Cut for Knob (KN), Passage/Dummy	Each		
6794.xxx.KT	Interior Escutcheon w/ Turn Knob (KT)	Each	140	180

NOTE: 030 is not available with Entry Trim or KC escutcheons  
†.ENFD only available in 050, 112 & 190, to ensure a finish match on all components.



Trim width: 2.5"  
Trim thickness: .25" – E

Sets	6571.xxx.ENTR	6571.xxx.DBLC	6571.xxx.FD
Exterior Trim	6604.xxx	6604.xxx	6604.xxx.DM
Interior Escutcheon	6794.xxx.KT	6794.xxx.KC	6794.xxx.KN
Knob/Lever	5000.xxx.IMR	5000.xxx.IMR	5000.xxx.IMR
Spindle	0530 (2.375" Half)	0530 (2.375" Half)	5092 (1.125" Dummy)
Cylinder	8323 (1.75" Door)	• (Double)	6761 (Dummy)
Mortise Lock	•	•	
Blocking Ring		•	



Designer	Entrance	Entrance	Double Cylinder	Privacy	Passage
Exterior Trim	6604.xxx	6794.xxx.KC	6794.xxx.KC	6794.xxx.KE**	
Interior Escutcheon	6794.xxx.KT	6794.xxx.KT	6794.xxx.KC	6794.xxx.KT	6794.xxx.KN (x2)
Knob/Lever	Half Pair	Pair	Pair	Pair	Pair
Spindle	•		•	•	•
Cylinder	•	•	• (Double)		
Mortise Lock	• (Lever Strength)	•	•	• (Latch & Bolt or Lock)	• (Latch & Bolt or Lock)
Blocking Ring			•		
Turn Knob					

REQUIRED

SEE BACK COVER FLAP for easy-ordering charts and requirements for doors thicker than 1.75"

**MUST ORDER SEPARATELY**  
shown in grey

\*\* (All .KE hardware include 6701 ER cover)

**BALDWIN**



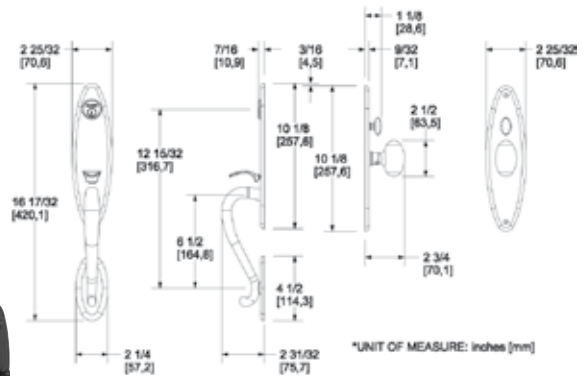


030, 031  
034, 040  
050, 060, 102  
112, 150, 151  
190, 260, 264  
003, 055  
056, 402  
412, 452



	Item #	Description	Set	Wt.		
SET	6573.xxx.ENTR	Entrance Trim	Set	9.5		
	6573.xxx.DBLC	Double Cylinder	Set		\$495	\$570
	6573.xxx.FD	Full Dummy	Set			
	6573.xxx.ENFD <sup>†</sup>	1 Active Entrance Set + 1 Full Dummy Set	2 Sets		990 <sup>†</sup>	1140 <sup>†</sup>
	6628.xxx.BB75	Entrance Back-to-Back – 1.75" door	Set			
EXT	6628.xxx.BB30	Entrance Back-to-Back – up to 3" door	Set		795	870
	6628.xxx.BBFD	Dummy Back-to-Back	Set			
	6628.xxx	Active Exterior Trim only	Each		365	410
INTERIOR	6628.xxx.DM	Dummy Exterior only	Each			
		Interior Escutcheon –				
	6798.xxx.KC	Cut for Cylinder (KC), Double Cylinder	Each			
	6798.xxx.KE**	Cut for Emergency Release (KE)	Each		105	140
	6798.xxx.KN	Cut for Knob (KN), Passage/Dummy	Each			
	6798.xxx.KT	Interior Escutcheon w/ Turn Knob (KT)	Each		140	180
	6798.xxx.KP	Escutcheons Cut for Privacy (KP)	Pair		210	280

<sup>†</sup>.ENFD only available in 050, 112 & 190, to ensure a finish match on all components.  
\*\*All .KE hardware include 6701 ER cover



MORTISE  
LOCKS

**Sets**

	6573.xxx.ENTR	6573.xxx.DBLC	6573.xxx.FD	6628.xxx.BB75 (BB30, BBFD)
Exterior Trim	6628.xxx	6628.xxx	6628.xxx.DM	6628.xxx (x2)
Interior Escutcheon	6798.xxx.KT	6798.xxx.KC	6798.xxx.KN	
Knob/Lever	5025.xxx.IMR	5025.xxx.IMR	5025.xxx.IMR	
Spindle	0530 (2.375" Half)	0530 (2.375" Half)	5092 (1.125" Dummy)	
Cylinder	8323 (1.75" Door)	• (Double)	6761 (Dummy)	• (Double)
Mortise Lock	•	•		•
Blocking Ring		•		•

Trim width: 2.25"  
Trim thickness: .3125" – F



**Designer**

	Entrance	Entrance	Double Cylinder	Privacy	Passage
Exterior Trim	6628.xxx	6798.xxx.KC	6798.xxx.KC	6798.xxx.KE**	
Interior Escutcheon	6798.xxx.KT	6798.xxx.KT	6798.xxx.KC	6798.xxx.KT or .KP	6798.xxx.KN (x2)
Knob/Lever	Half Pair	Pair	Pair	Pair	Pair
Spindle	•	•	•	•	•
Cylinder	•	•	• (Double)		
Mortise Lock	• (Lever Strength)	•	•	• (Latch & Bolt, Lock, Latch)	• (Latch or Interior Lock)
Blocking Ring			•		
Turn Knob					

REQUIRED

SEE BACK COVER FLAP for easy-ordering charts and requirements for doors thicker than 1.75"

\*\* (All .KE hardware include 6701 ER cover)

**MUST ORDER SEPARATELY**  
shown in grey

# ENTRANCE TRIM, MORTISE SANTA MONICA



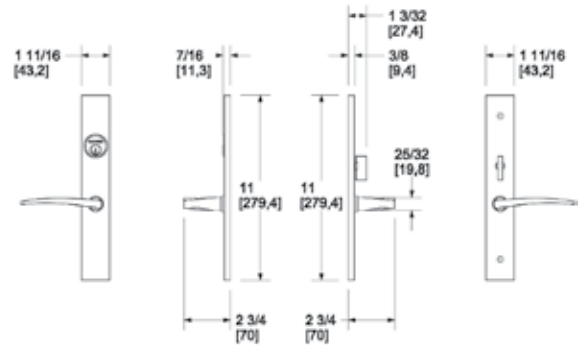
030, 031  
033, 034, 040  
050, 060, 102  
112, 150, 151  
190, 260, 264  
003, 055  
056, 402  
412, 452

	Item #	Description	Wt.		
SET	6915.xxx.ENTR	Entrance Trim	Set 9.5	\$495	\$570
	6915.xxx.DBLC	Double Cylinder	Set	495	570
	6915v.xxx.FD	Full Dummy	Set	495	570
	6915.xxx.ENFD†	1 Active Entrance Set + 1 Full Dummy Set	2 Sets	990†	
EXT	6915.xxx.LDM	Dummy Exterior Trim	Each	250	280
	6915.xxx.RDM	Dummy Exterior Trim	Each	250	280
	6530.xxx.KCOS	Exterior Trim Plate KC	Each	195	230
	6530.xxx.KEOS	Exterior Trim Plate KE	Each	195	230
	6530.xxx.KNOS	Exterior Trim Plate KN	Each	195	230
	6530.xxx.KTOS	Exterior Trim Plate KT	Each	230	270
INTERIOR	6530.xxx.KCIS	Interior Trim Plate KC	Each	195	230
	6530.xxx.KEIS	Interior Trim Plate KE	Each	195	230
	6530.xxx.KNIS	Interior Trim Plate KN	Each	195	230
	6530.xxx.KTIS	Interior Trim Plate KT	Each	230	270

†.ENFD only available in 050, 112 & 190, to ensure a finish match on all components.  
\*\* 030 not available with entry trim or KC escutcheons



MORTISE  
LOCKS



Trim width: 1.7"  
Trim thickness: .37" – G

Sets	6915.xxx.ENTR	6915.xxx.DBLC	6915.xxx.FD
Exterior Trim	6530.xxx.KCOS	6530.xxx.KCOS	6530.xxx.KNOS
Interior Escutcheon	6530.xxx.KTIS	6530.xxx.KCIS	6530.xxx.KNIS
Knob/Lever	L022.xxx.MR	L022.xxx.MR	L022.xxx.MR
Spindle	0522 (4" Swivel)	0522 (4" Swivel)	0511 & 5099 (x2)
Cylinder	8323 (1.75" Door)	• (Double)	6761 (Dummy)
Mortise Lock	•	•	
Blocking Ring		•	



Designer	Entrance	Privacy	Passage
Exterior Trim	6530.xxx.KCOS	6530.xxx.KEOS**	6530.xxx.KNOS
Interior Escutcheon	6530.xxx.KTIS	6530.xxx.KTIS	6530.xxx.KNIS
Knob/Lever	Pair	Pair	Pair
Spindle	•	•	•
Cylinder	•		
Mortise Lock	• (Latch & Bolt or Lock)	• (Latch & Bolt or Lock)	• (Latch or Interior Lock)
Blocking Ring			
Turn Knob			

REQUIRED

SEE BACK COVER FLAP for easy-ordering charts and requirements for doors thicker than 1.75"

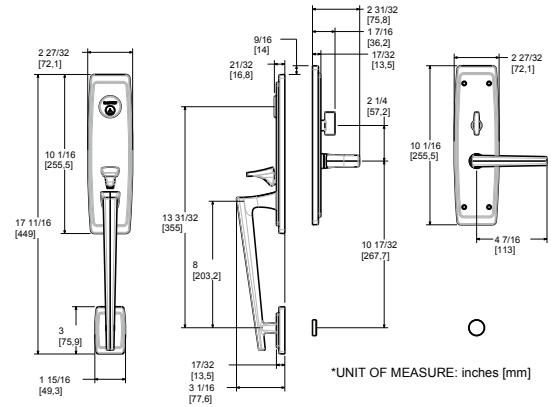
**MUST ORDER SEPARATELY**  
shown in grey

BALDWIN



Item #	Description	Wt.	030, 031 033, 034, 040 050, 060, 102 112, 150, 151 190, 260, 264	003, 055 056, 402 412, 452
6920.xxx.RENT (LENT)	Entrance Trim	Set	9.5	
6920xxx.RDBL (LDBL)	Double Cylinder	Set	\$495	\$570
6920.xxx.RFD (LFD)	Full Dummy	Set		
6920.xxx.ENFD†	1 Active Entrance Set + 1 Full Dummy Set	2 Sets	990	N/A
6615.xxx	Active Exterior Trim	Each	365	410
6615.xxx.DM	Dummy Exterior Trim	Each		
Interior Escutcheon –				
6715.xxx.KC	Cut for Cylinder (KC), Double Cylinder	Each		
6715.xxx.KE**	Cut for Emergency Release (KE)	Each	105	140
6715.xxx.KN	Cut for Knob (KN), Passage/Dummy	Each		
6715.xxx.KT	Interior Escutcheon w/ Turn Knob (KT)	Each	140	180

NOTE: 030 is not available with Entry Trim or KC escutcheons  
†.ENFD only available in 050, 112 & 190, to ensure a finish match on all components.



MORTISE  
LOCKS

Sets	6920.xxx.RENT (LENT)	6920.xxx.RDBL (LDBL)	6920.xxx.RFD (LFD)
Exterior Trim	6615.xxx	6615.xxx	6615.xxx.DM
Interior Escutcheon	6715.xxx.KT	6715.xxx.KC	6715.xxx.KN
Knob/Lever	L024.xxx.LMR (RMR)	L024.xxx.LMR (RMR)	L024.xxx.LMR (RMR)
Spindle	0530 (2.375" Half)	0530 (2.375" Half)	5092 (1.125" Dummy)
Cylinder	8325 (1.75" Door)	• (Double)	6761 (Dummy)
Mortise Lock	•	•	
Blocking Ring		•	

Trim width: 2.84"  
Trim thickness: .53" – H1



REQUIRED –

Designer	Entrance	Entrance	Double Cylinder	Privacy	Passage
Exterior Trim	6615.xxx	6715.xxx.KC	6715.xxx.KC	6715.xxx.KE**	
Interior Escutcheon	6715.xxx.KT	6715.xxx.KT	6715.xxx.KC	6715.xxx.KT	6715.xxx.KN (x2)
Knob/Lever	Half Pair	Pair	Pair	Pair	Pair
Spindle	•	•	•	•	•
Cylinder	•	•	• (Double)		
Mortise Lock	• (Lever Strength)	•	•	• (Latch & Bolt or Lock)	• (Latch or Interior Lock)
Blocking Ring			•	Other- ER Trim	
Turn Knob					

SEE BACK COVER FLAP for easy-ordering charts and requirements for doors thicker than 1.75"

MUST ORDER SEPARATELY  
shown in grey

\*\* (All .KE hardware include 6701 ER cover)

# ENTRANCE TRIM, MORTISE PALM SPRINGS™ FULL ESCUTCHEON

Coming August 2016

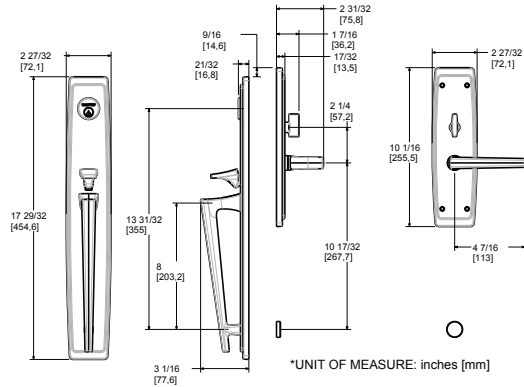


**030, 031**  
**033, 034, 040**  
**050, 060, 102**  
**112, 150, 151**  
**190, 260, 264**

**003, 055**  
**056, 402**  
**412, 452**

	Item #	Description	Wt.		
SET	6921.xxx.RENT (LENT)	Entrance Trim	Set	9.5	
	6921.xxx.RDBL (LDBL)	Double Cylinder	Set	\$595	\$670
	6921.xxx.RFD (LFD)	Full Dummy	Set		
	6921.xxx.ENFD†	1 Active Entrance Set + 1 Full Dummy Set	2 Sets	1190	N/A
EXT	6616.xxx	Active Exterior Trim	Each	465	510
	6616.xxx.DM	Dummy Exterior Trim	Each		
INTERIOR		Interior Escutcheon –			
	6715.xxx.KC	Cut for Cylinder (KC), Double Cylinder	Each		
	6715.xxx.KE**	Cut for Emergency Release (KE)	Each	105	140
	6715.xxx.KN	Cut for Knob (KN), Passage/Dummy	Each		
	6715.xxx.KT	Interior Escutcheon w/ Turn Knob (KT)	Each	140	180

NOTE: 030 is not available with Entry Trim or KC escutcheons  
†.ENFD only available in 050, 112 & 190, to ensure a finish match on all components.



MORTISE  
LOCKS

Sets	6921.xxx.RENT (LENT)	6921.xxx.RDBL (LDBL)	6921.xxx.RFD (LFD)
Exterior Trim	6616.xxx	6616.xxx	6616.xxx.DM
Interior Escutcheon	6715.xxx.KT	6715.xxx.KC	6715.xxx.KN
Knob/Lever	L024.xxx.LMR (RMR)	L024.xxx.LMR (RMR)	L024.xxx.LMR (RMR)
Spindle	0530 (2.375" Half)	0530 (2.375" Half)	5092 (1.125" Dummy)
Cylinder	8325 (1.75" Door)	• (Double)	6761 (Dummy)
Mortise Lock	•	•	
Blocking Ring		•	

Trim width: 2.84"  
Trim thickness: .53" – H1



REQUIRED

Designer	Entrance	Entrance	Double Cylinder	Privacy	Passage
Exterior Trim	6616.xxx	6715.xxx.KC	6715.xxx.KC	6715.xxx.KE	
Interior Escutcheon	6715.xxx.KT	6715.xxx.KT	6715.xxx.KC	6715.xxx.KT	6715.xxx.KN (x2)
Knob/Lever	Half Pair	Pair	Pair	Pair	Pair
Spindle	•	•	•	•	•
Cylinder	•	•	• (Double)		
Mortise Lock	• (Lever Strength)	•	•	• (Latch & Bolt or Lock)	• (Latch or Interior Lock)
Blocking Ring			•	Other- ER Trim	
Turn Knob					

SEE BACK COVER FLAP for easy-ordering charts and requirements for doors thicker than 1.75"

**MUST ORDER SEPARATELY**  
shown in grey

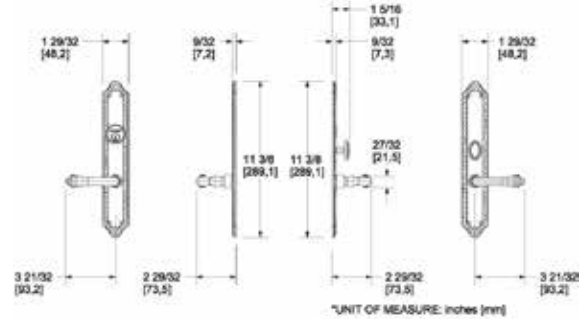
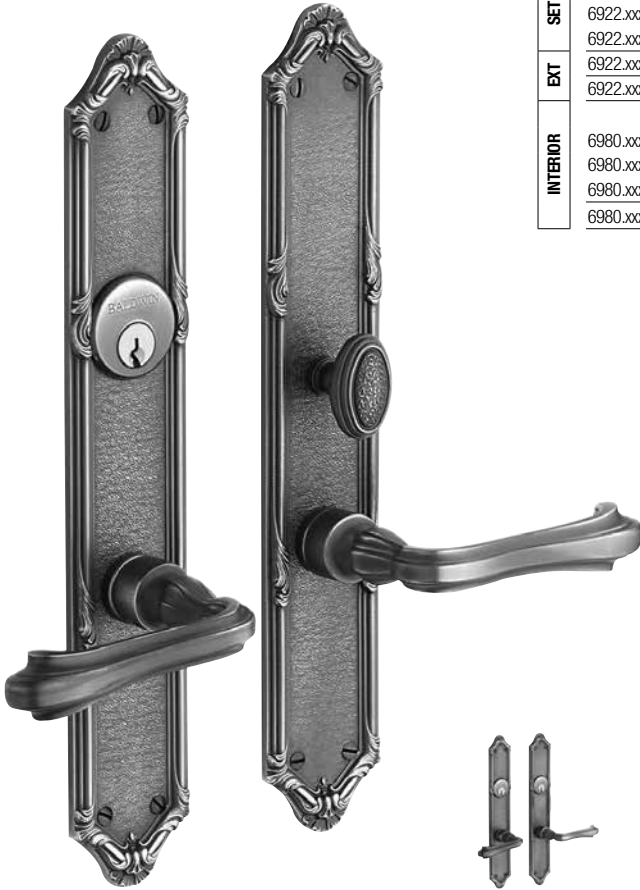
BALDWIN



030, 031  
033, 034, 040  
050, 060, 102  
112, 150, 151  
190, 260, 264  
003, 055  
056, 402  
412, 452

Item #	Description	Set	Wt.		
6922.xxx.ENTR	Entrance Trim	Set	3.3		
6922.xxx.DBLC	Double Cylinder	Set		\$495	\$570
6922.xxx.FD	Full Dummy	Set			
6922.xxx.ENFD†	1 Active Entrance Set + 1 Full Dummy Set	2 Sets		990†	1140†
6922.xxx.PDM (LDM)	Dummy Exterior only	Each		250	280
	Interior Escutcheon –				
6980.xxx.KC	Cut for Cylinder (KC), Double Cylinder	Each			
6980.xxx.KE**	Cut for Emergency Release (KE)	Each		195	230
6980.xxx.KN	Cut for Knob (KN), Passage/Dummy	Each			
6980.xxx.KT	Interior Escutcheon w/ Turn Knob (KT)	Each		230	270

NOTE: 030 is not available with Entry Trim or KC escutcheons  
†.ENFD only available in 050, 112 & 190, to ensure a finish match on all components.



Trim thickness: .125" – C

MORTISE  
LOCKS

Sets	6922.xxx.ENTR	6922.xxx.DBLC	6922.xxx.FD
Exterior Trim	6980.xxx.KC	6980.xxx.KC	6980.xxx.KN
Interior Escutcheon	6980.xxx.KT	6980.xxx.KC	6980.xxx.KN
Knob/Lever	5101.xxx.MR (Pair)	5101.xxx.MR (Pair)	5101.xxx.MR (Pair)
Spindle	0520 (3.5" Swivel)	0520 (3.5" Swivel)	0510.004 (3.5" Straight)
Cylinder	8322 (1.75" Door)	• (Double)	5099.004 (x2)
Mortise Lock	• (Lever Strength)	• (Lever Strength)	
Blocking Ring		•	



Designer	Entrance	Privacy	Passage
Exterior Trim	6980.xxx.KC	6980.xxx.KE**	
Interior Escutcheon	6980.xxx.KT	6980.xxx.KT	6980.xxx.KN (x2)
Knob/Lever	Pair	Pair	Pair
Spindle	•	•	•
Cylinder	•		
Mortise Lock	• (Latch & Bolt or Lock)	• (Latch & Bolt or Lock)	• (Latch or Interior Lock)
Blocking Ring			
Turn Knob			

REQUIRED —

SEE BACK COVER FLAP for easy-ordering charts and requirements for doors thicker than 1.75"

**MUST ORDER SEPARATELY**

shown in grey

\*\* (All .KE hardware include 6701 ER cover)

# ENTRANCE TRIM, MORTISE DALLAS / DENVER



030, 031  
034, 040  
050, 060, 102  
112, 150, 151  
190, 260, 264

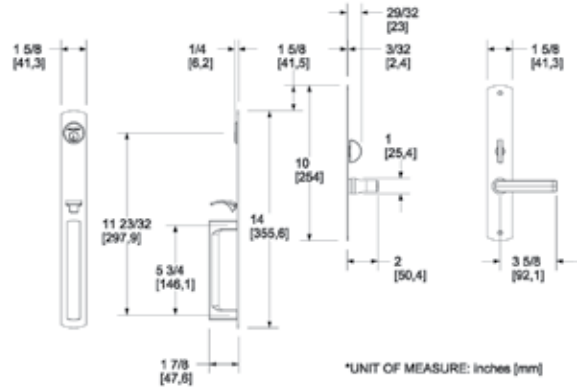
003  
055  
056

Item #	Description	Wt.		
6931.xxx.RENT (LENT)	Entrance Trim – Dallas, w/ angled pull	Set	9.5	
6931.xxx.RDBL (LDBL)	Double Cylinder – w/ angled pull	Set	\$595	\$670
6931.xxx.RFD (LFD)	Full Dummy – w/ angled pull	Set		
6931.xxx.ENFD†	1 Active Entrance Set + 1 Full Dummy Set	2 Sets	1190	1340†
6953.xxx.R (L)	Active Exterior Trim only – w/ angled pull	Each	465	510
6953.xxx.RDM (LDM)	Dummy Exterior only – w/ angled pull	Each		
6940.xxx.ENTR	Entrance Trim – Denver	Set		
6940.xxx.DBLC	Double Cylinder	Set	\$395	470
6940.xxx.FD	Full Dummy	Set		
6940.xxx.RDM (LDM)	Dummy Exterior only	Each	200	230
	Interior Escutcheon –			
6988.xxx.KC	Cut for Cylinder (KC), Double Cylinder	Each		
6988.xxx.KE**	Cut for Emergency Release (KE)	Each	105	140
6988.xxx.KN	Cut for Knob (KN), Passage/Dummy	Each		
6988.xxx.KT	Interior Escutcheon w/ Turn Knob (KT)	Each	140	180

NOTE: 030 is not available with Entry Trim or KC escutcheons  
†.ENFD only available in 050, 112 & 190, to ensure a finish match on all components.



2679 pull is angled ~ 15° for use with narrow backset (1.5" & 2") mortise locks, may also be used with 2.5" & 2.75" mortise locks



Trim width: 1.625"  
Trim thickness: .093" – B

Dallas Sets	6931.xxx.RENT (LENT)	6931.xxx.RDBL (LDBL)	6931.xxx.RFD (LFD)
Exterior Trim	6953.xxx.R	6953.xxx.R	6953.xxx.RDM
Interior Escutcheon	6988.xxx.KT	6988.xxx.KC	6988.xxx.KN
Knob/Lever	5105.xxx.LMR (RMR)	5105.xxx.LMR (RMR)	5105.xxx.LMR (RMR)
Spindle	0530 (2.375" Half)	0530 (2.375" Half)	5092 (1.125" Dummy)
Cylinder	8321 (1.75" Door)	• (Double)	6761 (Dummy)
Mortise Lock	•	•	
Blocking Ring		•	



Denver Sets	6940.xxx.ENTR	6940.xxx.DBLC	6940.xxx.FD
Exterior Trim	6988.xxx.KC	6988.xxx.KC	6940.xxx.RDM
Interior Escutcheon	6988.xxx.KT	6988.xxx.KC	6988.xxx.KN
Knob/Lever	5105.xxx.MR (Pair)	5105.xxx.MR (Pair)	
Spindle	0520 (3.5" Swivel)	0520 (3.5" Swivel)	0510 (3.5" Straight)
Cylinder	•	• (Double)	5099.004 (x2)
Mortise Lock	• (Lever Strength)	• (Lever Strength)	
Blocking Ring		•	

Designer	Dallas Entrance	Denver Privacy
Exterior Trim	6953.xxx.R (L)	6988.xxx.KE**
Interior Escutcheon	6988.xxx.KT	6988.xxx.KT
Knob/Lever	Half Pair	Pair
Spindle	•	•
Cylinder	•	
Mortise Lock	•	• Latch & Mortise Bolt or Lock
Blocking Ring		
Turn Knob		

REQUIRED —

SEE BACK COVER FLAP for easy-ordering charts and requirements for doors thicker than 1.75"

\*\* (All .KE hardware include 6701 ER cover)

MUST ORDER SEPARATELY

shown in grey

BALDWIN

MORTISE  
LOCKS



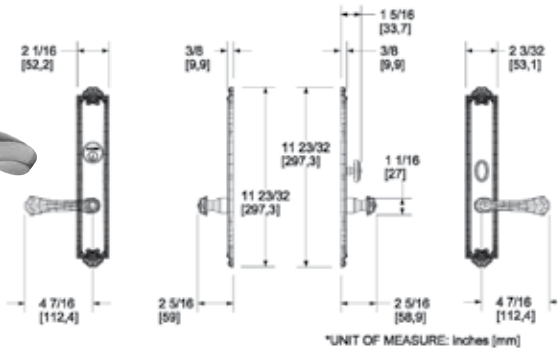


030, 031  
033, 034, 040  
050, 060, 102  
112, 150, 151  
190, 260, 264  
003, 055  
056, 402  
412, 452



	Item #	Description	Wt.		
SET	6942.xxx.ENTR	Entrance Trim	Set	3.0	
	6942.xxx.DBLC	Double Cylinder	Set		\$395 \$470
	6942.xxx.FD	Full Dummy	Set		
	6942.xxx.ENFD <sup>1</sup>	1 Active Entrance Set + 1 Full Dummy Set	2 Sets		790 <sup>1</sup> 940 <sup>1</sup>
EXT	6942.xxx.RDM (LDM)	Dummy Exterior only	Each		200 230
		Interior Escutcheon –			
INTERIOR	6986.xxx.KC	Cut for Cylinder (KC), Double Cylinder	Each		
	6986.xxx.KE**	Cut for Emergency Release (KE)	Each		105 140
	6986.xxx.KN	Cut for Knob (KN), Passage/Dummy	Each		
	6986.xxx.KT	Interior Escutcheon w/ Turn Knob (KT)	Each		140 180

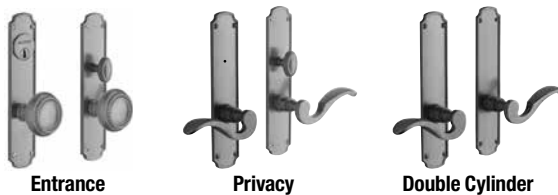
NOTE: 030 is not available with Entry Trim or KC escutcheons  
<sup>1</sup>.ENFD only available in 050, 112 & 190, to ensure a finish match on all components.



MORTISE  
LOCKS

Sets	6942.xxx.ENTR	6942.xxx.DBLC	6942.xxx.FD
Exterior Trim	6986.xxx.KC	6986.xxx.KC	6986.xxx.KN
Interior Escutcheon	6986.xxx.KT	6986.xxx.KC	6986.xxx.KN
Knob/Lever	5152.xxx.MR (Pair)	5152.xxx.MR (Pair)	5152.xxx.MR (Pair)
Spindle	0522 (4" Swivel)	0522 (4" Swivel)	0511 (4" Straight)
Cylinder	8322 (1.75" Door)	8321 (1.75" Door)	5099.004 (x2)
Mortise Lock	• (Lever Strength)	• (Lever Strength)	
Blocking Ring		• 8440.xxx.1	

Trim thickness: .125" – C



Designer	Entrance	Privacy	Double Cylinder
Exterior Trim	6986.xxx.KC	6986.xxx.KE**	
Interior Escutcheon	6986.xxx.KT	6986xxx.KT or .KP	6986.xxx.KN (x2)
Knob/Lever	Pair	Pair	Pair
Spindle	•	•	•
Cylinder	•		
Mortise Lock	•	• (Latch & Bolt or Lock)	• (Latch & Bolt or Interior Lock)
Blocking Ring			
Turn Knob			

REQUIRED —

SEE BACK COVER FLAP for easy-ordering charts and requirements for doors thicker than 1.75"

\*\* (All .KE hardware include 6701 ER cover)

**MUST ORDER SEPARATELY**

shown in grey

# ENTRANCE TRIM, MORTISE PASADENA

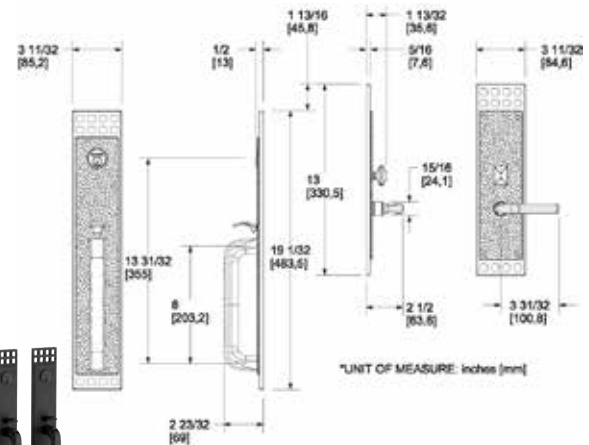


030, 031  
033, 034, 040  
050, 060, 102  
112, 150, 151  
190, 260, 264

402  
412  
452

Item #	Description	Wt.		
6944.xxx.RENT (LENT)	Entrance Trim	Set	9.5	
6944.xxx.RDBL (LDBL)	Double Cylinder	Set	\$795	\$870
6944.xxx.RFD (LFD)	Full Dummy	Set		
6944.xxx.ENFD <sup>1</sup>	1 Active Entrance Set + 1 Full Dummy Set	2 Sets	1590 <sup>1</sup>	1740 <sup>1</sup>
6641.xxx.BB75	Entrance Back-to-Back – 1.75" door	Set		
6641.xxx.BB30	Entrance Back-to-Back – 3" door	Set	1095	1170
6641.xxx.BBFD	Dummy Back-to-Back	Set		
6641.xxx	Active Exterior Trim	Each		
6641.xxx.DM	Dummy Exterior Trim	Each	590	635
	Interior Escutcheon –			
6714.xxx.KC	Cut for Cylinder (KC), Double Cylinder	Each		
6714.xxx.KE**	Cut for Emergency Release (KE)	Each	195	230
6714.xxx.KN	Cut for Knob (KN), Passage/Dummy	Each		
6714.xxx.KT	Interior Escutcheon w/ Turn Knob (KT)	Each	230	270

NOTE: 030 is not available with Entry Trim or KC escutcheons  
<sup>1</sup>.ENFD only available in 050, 112 & 190, to ensure a finish match on all components.



## Sets

	6944.xxx.RENT (LENT)	6944.xxx.RDBL (LDBL)	6944.xxx.RFD (LFD)	6641.xxx.BB75 (BBFD)
Exterior Trim	6641.xxx	6641.xxx	6641.xxx.DM	6641.xxx (x2)
Interior Escutcheon	6714.xxx.KT	6714.xxx.KC	6714.xxx.KN	
Knob/Lever	5190.xxx.LMR (RMR)	5190.xxx.LMR (RMR)	5190.xxx.LMR (RMR)	
Spindle	0530 (2.375" Half)	0530 (2.375" Half)	5092 (1.125" Dummy)	
Cylinder	8323 (1.75" Door)	• (Double)	6761 (Dummy)	• (Double)
Mortise Lock	•	•		•
Blocking Ring		•		•

Trim width: 3.35"  
Trim thickness: .375" – G



Designer	Entrance	Entrance	Double Cylinder	Privacy	Passage
Exterior Trim	6641.xxx	6714.xxx.KC	6714.xxx.KC	6714.xxx.KE**	
Interior Escutcheon	6714.xxx.KT	6714.xxx.KT	6714.xxx.KC	6714.xxx.KT or .KP	6714.xxx.KN (x2)
Knob/Lever	Half Pair	Pair	Pair	Pair	Pair
Spindle	•	•	•	•	•
Cylinder	•	•	• (Double)		
Mortise Lock	• (Lever Strength)	•	•	• (Latch & Bolt or Lock)	• (Latch or Interior Lock)
Blocking Ring			•	Other- ER Trim	
Turn Knob					

REQUIRED

SEE BACK COVER FLAP for easy-ordering charts and requirements for doors thicker than 1.75"

**MUST ORDER SEPERATELY**  
shown in grey

\*\* (All .KE hardware include 6701 ER cover)

# BALDWIN

MORTISE  
LOCKS

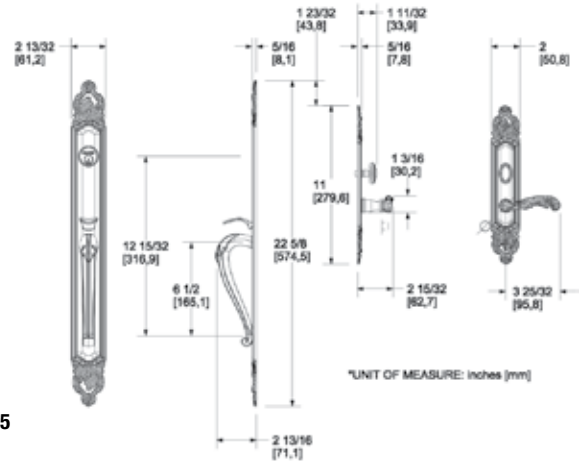
# ENTRANCE TRIM, MORTISE VICTORIA™ / VERSAILLES



030, 031  
033, 034, 040  
050, 060, 102  
112, 150, 151  
190, 260, 264  
003, 055  
056, 402  
412, 452

Item #	Description	Wt.		
6948.xxx.RENT (LENT)	Entrance Trim – <b>Victoria</b>	Set	9.5	
6948.xxx.RDBL (LDBL)	Double Cylinder	Set	\$795	\$870
6948.xxx.RFD (LFD)	Full Dummy	Set		
6948.xxx.ENFD†	1 Active Entrance Set + 1 Full Dummy Set	2 Sets	1590†	1740†
6956.xxx.BB75	Entrance Back-to-Back – 1.75" door	Set	1095	1170
6956.xxx.BBFD	Dummy Back-to-Back	Set		
6956.xxx	Active Exterior Trim only	Each	590	635
6956.xxx.DM	Dummy Exterior only	Each		
6933.xxx.ENTR	Entrance Trim – <b>Versailles</b>	Set		
6933.xxx.DBLC	Double Cylinder	Set	495	570
6933.xxx.FD	Full Dummy	Set		
6933.xxx.ENFD†	1 Active Entrance Set + 1 Full Dummy Set	2 Sets	990†	1140†
6933.xxx.RDM (LDM)	Dummy Exterior only	Each	250	280
	Interior Escutcheon –			
6993.xxx.KC	Cut for Cylinder (KC), Double Cylinder	Each		
6993.xxx.KE**	Cut for Emergency Release (KE)	Each	195	230
6993.xxx.KN	Cut for Knob (KN), Passage/Dummy	Each		
6993.xxx.KT	Interior Escutcheon w/ Turn Knob (KT)	Each	230	270

NOTE: 030 is not available with Entry Trim or KC escutcheons  
†.ENFD only available in 050, 112 & 190, to ensure a finish match on all components.



Victoria Sets	6948.xxx.RENT (LENT)	6948.xxx.RDBL (LDBL)	6948.xxx.RFD (LFD)	6956.xxx.BB75 (BBFD)
Exterior Trim	6956.xxx	6956.xxx	6956.xxx.DM	6956.xxx (x2)
Interior Escutcheon	6993.xxx.KT	6993.xxx.KC	6993.xxx.KN	
Knob/Lever	5121.xxx.LMR (RMR)	5121.xxx.LMR (RMR)	5121.xxx.LMR (RMR)	
Spindle	0533 (2.25" Half)	0533 (2.25" Half)	5092 (1.125" Dummy)	
Cylinder	8322 (1.75" Door)	• (Double)	6761 (Dummy)	• (Double)
Mortise Lock	• (Lever Strength)	•		•
Blocking Ring		•		•

Trim width: 2.4"  
Trim thickness: .188" – D

Versailles Sets	6933.xxx.ENTR	6933.xxx.DBLC	6933.xxx.FD
Exterior Trim	6993.xxx.KC	6993.xxx.KC	
Interior Escutcheon	6993.xxx.KT	6993.xxx.KC	6993.xxx.KN (x2)
Knob/Lever	5121.xxx.MR (Pair)	5121.xxx.MR (Pair)	5121.xxx.MR (Pair)
Spindle	0520 (3.5" Swivel)	0520 (3.5" Swivel)	0510 (3.5" Straight)
Cylinder	•	• (Double)	5099.004 (x2)
Mortise Lock	• (Lever Strength)	• (Lever Strength)	
Blocking Ring		•	

Designer	Victoria Entrance	Versailles Privacy
Exterior Trim	6956.xxx	6993.xxx.KE**
Interior Escutcheon	6993.xxx.KT	6993.xxx.KT or .KP
Knob/Lever	Half Pair	Pair
Spindle	•	•
Cylinder	•	
Mortise Lock	• (Lever Strength)	• (Latch & Bolt or Lock)
Blocking Ring		
Turn Knob		

REQUIRED —

SEE BACK COVER FLAP for easy-ordering charts and requirements for doors thicker than 1.75"

\*\* (All .KE hardware include 6701 ER cover)

**MUST ORDER SEPARATELY**  
shown in grey

# ENTRANCE TRIM, MORTISE KENSINGTON / WESTMINSTER

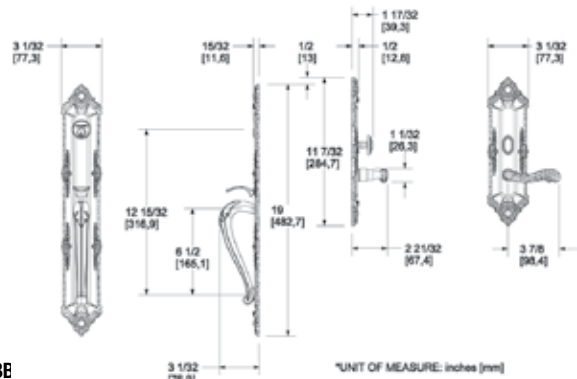


MORTISE  
LOCKS

030, 031  
033, 034, 040  
050, 060, 102  
112, 150, 151  
190, 260, 264  
003, 055  
056, 402  
412, 452

Item #	Description	Wt.		
6950.xxx.RENT (LENT)	Entrance Trim – <b>Kensington</b>	Set	9.5	
6950.xxx.RDBL (LDBL)	Double Cylinder	Set	\$795	\$870
6950.xxx.RFD (LFD)	Full Dummy	Set		
6950.xxx.ENFD <sup>1</sup>	1 Active Entrance Set + 1 Full Dummy Set	2 Sets	1590 <sup>1</sup>	1740 <sup>1</sup>
6624.xxx.BB75	Entrance Back-to-Back – 1.75" door	Set		
6624.xxx.BB30	Entrance Back-to-Back – up to 3" door	Set	1095	1170
6624.xxx.BBFD	Dummy Back-to-Back	Set		
6624.xxx	Active Exterior Trim only	Each	590	635
6624.xxx.DM	Dummy Exterior only	Each		
6961.xxx.ENTR	Entrance Trim – <b>Westminster</b>	Set		
6961.xxx.DBLC	Double Cylinder	Set	495	570
6961.xxx.FD	Full Dummy	Set		
6961.xxx.ENFD*	1 Active Entrance Set + 1 Full Dummy Set	2 Sets	990 <sup>1</sup>	1140 <sup>1</sup>
6961.xxx.DM	Dummy Exterior only	Each	250	280
	Interior Escutcheon –			
6790.xxx.KC	Cut for Cylinder (KC), Double Cylinder	Each		
6790.xxx.KE**	Cut for Emergency Release (KE)	Each	195	230
6790.xxx.KN	Cut for Knob (KN), Passage/Dummy	Each		
6790.xxx.KT	Interior Escutcheon w/ Turn Knob (KT)	Each	230	270
6790.xxx.KP	Escutcheons Cut for Privacy (KP)	Pair	390	460

NOTE: 030 is not available with Entry Trim or KC escutcheons  
<sup>1</sup>.ENFD only available in 050, 112 & 190, to ensure a finish match on all components.



Trim width: 2.75"  
Trim thickness: .3125" – F

Kensington Sets	6950.xxx.RENT (LENT)	6950.xxx.RDBL (LDBL)	6950.xxx.RFD (LFD)	6624.xxx.BB (BB30, BBF1)
Exterior Trim	6624.xxx	6624.xxx	6624.xxx.DM	6624.xxx (x2)
Interior Escutcheon	6790.xxx.KT	6790.xxx.KC	6790.xxx.KN	
Knob/Lever	5108.xxx.LMR (RMR)	5108.xxx.LMR (RMR)	5108.xxx.LMR (RMR)	
Spindle	0530 (2.375" Half)	0530 (2.375" Half)	5092 (1.125" Dummy)	
Cylinder	8323 (1.75" Door)	• (Double)	6761 (Dummy)	• (Double)
Mortise Lock	• (Lever Strength)	• (Lever Strength)		•
Blocking Ring		•		•

Westminster Sets	6961.xxx.ENTR	6961.xxx.DBLC	6961.xxx.FD
Exterior Trim	6790.xxx.KC	6790.xxx.KC	
Interior Escutcheon	6790.xxx.KT	6790.xxx.KC	6790.xxx.KN (x2)
Knob/Lever	5108.xxx.MR (Pair)	5108.xxx.MR (Pair)	5108.xxx.MR (Pair)
Spindle	0522 (4" Swivel)	0522 (4" Swivel)	0511.004 (4" Straight)
Cylinder	•	• (Double)	5099.004 (x2)
Mortise Lock	• (Lever Strength)	• (Lever Strength)	
Blocking Ring		•	

Designer	Kensington Entrance	Westminster Entrance
Exterior Trim	6624.xxx	6790.xxx.KE**
Interior Escutcheon	6790.xxx.KT	6790.xxx.KT or .KP
Knob/Lever	Half Pair	Pair
Spindle	•	•
Cylinder	•	•
Mortise Lock	• (Lever Strength)	• Latch & Bolt, Lock or Latch
Blocking Ring		
Turn Knob		

REQUIRED

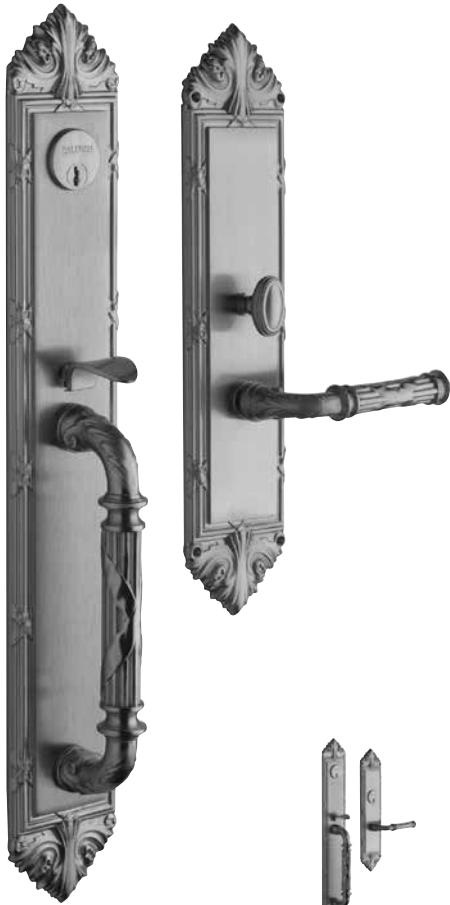
SEE BACK COVER FLAP for easy-ordering charts and requirements for doors thicker than 1.75"

**MUST ORDER SEPARATELY**  
shown in grey

\*\* (All .KE hardware include 6701 ER cover)

BALDWIN

# ENTRANCE TRIM, MORTISE EDINBURGH / FENWICK®



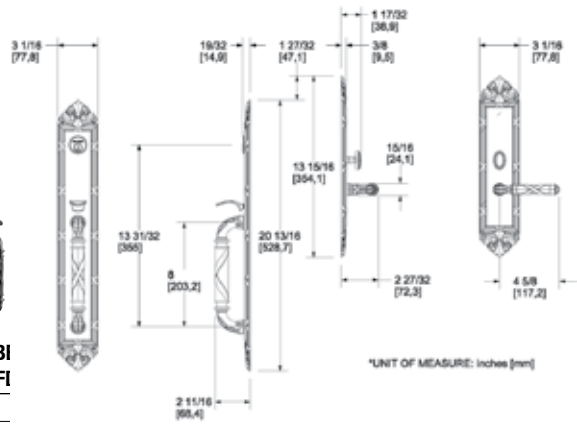
030, 031  
033, 034, 040  
050, 060, 102  
112, 150, 151  
190, 260, 264

003, 055  
056, 402  
412, 452

Item #	Description	Wt.		
6952.xxx.RENT (LENT)	Entrance Trim – <b>Edinburgh</b>	Set	9.5	
6952.xxx.RDBL (LDBL)	Double Cylinder	Set	\$795	\$870
6952.xxx.RFD (LFD)	Full Dummy	Set		
6952.xxx.ENFD†	1 Active Entrance Set + 1 Full Dummy Set	2 Sets	1590†	1740†
6652.xxx.BB75	Entrance Back-to-Back – 1.75" door	Set		
6652.xxx.BB30	Entrance Back-to-Back – up to 3" door	Set	1095	1170
6652.xxx.BBFD	Dummy Back-to-Back	Set		
6652.xxx	Active Exterior Trim only	Each	590	635
6652.xxx.DM	Dummy Exterior only	Each		
6962.xxx.ENTR	Entrance Trim – <b>Fenwick</b>	Set		
6962.xxx.DBLC	Double Cylinder	Set	495	570
6962.xxx.FD	Full Dummy	Set		
6962.xxx.ENFD†	1 Active Entrance Set + 1 Full Dummy Set	2 Sets	990†	1140†
6962.xxx.DM	Dummy Exterior only	Each	250	280
	Interior Escutcheon –			
6789.xxx.KC	Cut for Cylinder (KC), Double Cylinder	Each		
6789.xxx.KE**	Cut for Emergency Release (KE)	Each	195	230
6789.xxx.KN	Cut for Knob (KN), Passage/Dummy	Each		
6789.xxx.KT	Interior Escutcheon w/ Turn Knob (KT)	Each	230	270
6789.xxx.KP	Escutcheons Cut for Privacy (KP)	Pair	390	460

NOTE: 030 is not available with Entry Trim or KC escutcheons  
†.ENFD only available in 050, 112 & 190, to ensure a finish match on all components.

Edinburgh Sets	6952.xxx.LENT (RENT)	6952.xxx.LDBL (RDBL)	6952.xxx.LFD (RFD)	6652.xxx.BI (BB30, BBFI)
Exterior Trim	6652.xxx	6652.xxx	6652.xxx.DM	6652.xxx (x2)
Interior Escutcheon	6789.xxx.KT	6789.xxx.KC	6789.xxx.KN	
Knob/Lever	5122.xxx.RMR (LMR)	5122.xxx.RMR (LMR)	5122.xxx.RMR (LMR)	
Spindle	0530 (2.375" Half)	0530 (2.375" Half)	5092 (1.125" Dummy)	
Cylinder	8324 (1.75" Door)	• (Double)	6761 (Dummy)	• (Double)
Mortise Lock	• (Lever Strength)	•		•
Blocking Ring		•		•



Trim width: 3.0"  
Trim thickness: .435" – H

Fenwick Sets	6962.xxx.ENTR	6962.xxx.DBLC	6962.xxx.FD
Exterior Trim	6789.xxx.KC	6789.xxx.KC	
Interior Escutcheon	6789.xxx.KT	6789.xxx.KC	6789.xxx.KN (x2)
Knob/Lever	5122.xxx.MR (Pair)	5122.xxx.MR (Pair)	5122.xxx.MR (Pair)
Spindle	0522	0522	0511
Cylinder	•	• (Double)	5099.004 (x2)
Mortise Lock	• (Lever Strength)	• (Lever Strength)	
Blocking Ring		•	

## Designer

	Edinburgh Entrance	Fenwick Privacy
Exterior Trim	6652.xxx	6789.xxx.KE**
Interior Escutcheon	6789.xxx.KT	6789.xxx.KT
Knob/Lever	Half Pair	Pair
Spindle	•	•
Cylinder	•	
Mortise Lock	•	• Latch & Bolt, Lock or Latch
Blocking Ring		
Turn Knob		

REQUIRED —

SEE BACK COVER FLAP for easy-ordering charts and requirements for doors thicker than 1.75"

\*\* (All .KE hardware include 6701 ER cover)

**MUST ORDER SEPERATELY**

shown in grey

MORTISE  
LOCKS



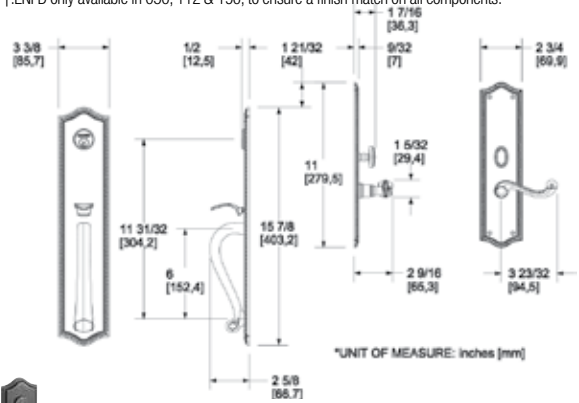
# ENTRANCE TRIM, MORTISE BRISTOL



MORTISE  
LOCKS

Item #	Description	Wt.	030, 031 033, 034, 040 050, 060, 102 112, 150, 151 190, 260, 264	003, 055 056, 402 412, 452
6963.xxx.RENT (LENT)	Entrance Trim – <b>Bristol</b>	Set		
6963.xxx.RDBL (LBDL)	Double Cylinder	Set	\$795	\$870
6963.xxx.RFD (LFD)	Full Dummy	Set		
6963.xxx.ENFD <sup>†</sup>	1 Active Entrance Set + 1 Full Dummy Set	2 Sets	1590 <sup>†</sup>	1740 <sup>†</sup>
6627.xxx.BB75	Entrance Back-to-Back - 1.75" door	Set		
6627.xxx.BB30	Entrance Back-to-Back - up to 3" door	Set	1095	1170
6627.xxx.BBFD	Dummy Back-to-Back	Set		
6627.xxx.	Active Exterior Trim only	Each	590	635
6627.xxx.DM	Dummy Exterior only	Each		
6939.xxx.ENTR	Entrance Trim - <b>Bristol Lever Set</b>	Set		
6939.xxx.DBLC	Double Cylinder	Set	495	570
6939.xxx.FD	Full Dummy	Set		
6939.xxx.ENFD <sup>†</sup>	1 Active Entrance Set + 1 Full Dummy Set	2 Sets	990	1140
6939.xxx.RDM (LDM)	Dummy Exterior only	Each	250	280

NOTE: 030 is not available with Entry Trim or KC escutcheons  
<sup>†</sup>.ENFD only available in 050, 112 & 190, to ensure a finish match on all components.



Trim thickness: .375" – G

## Sets

	6963.xxx.LENT (RENT)	6963.xxx.LDBL (RDBL)	6963.xxx.LFD (RFD)	6627.xxx.BB75 (BB30, BBFD)
Exterior Trim	6627.xxx	6627.xxx	6627.xxx.DM	6627.xxx (x2)
Interior Escutcheon	6991.xxx.KT	6991.xxx.KC	6991.xxx.KN	
Knob/Lever	5104.xxx.RMR (LMR)	5104.xxx.RMR (LMR)	5104.xxx.RMR (LMR)	
Spindle	0530 (2.375" Half)	0530 (2.375" Half)	5092 (1.125" Dummy)	•
Cylinder	8323 (1.75" Door)	• (Double)	6761 (Dummy)	• (Double)
Mortise Lock	• (Lever Strength)	• (Lever Strength)		•
Blocking Ring		•		•

## Sets

	6939.xxx.ENTR	6939.xxx.DBLC	6939.xxx.FD
Exterior Trim	6991.xxx.KC	6991.xxx.KC	6991.xxx.KN
Interior Escutcheon	6991.xxx.KT	6991.xxx.KC	6991.xxx.KN
Knob/Lever	5104.xxx.MR (Pair)	5104.xxx.MR (Pair)	5104.xxx.MR (Pair)
Spindle	0522 (4" Swivel)	0522 (4" Swivel)	5099.004 (x2)
Cylinder	•	• (Double)	
Mortise Lock	• (Lever Strength)	• (Lever Strength)	
Blocking Ring		•	

## Designer

	Entrance	Privacy
Exterior Trim	6627.xxx	6991.xxx.KE**
Interior Escutcheon	6991.xxx.KT	6991.xxx.KT or .KP
Knob/Lever	Half Pair	Pair
Spindle	•	•
Cylinder	•	
Mortise Lock	•	•
Blocking Ring		
Turn Knob		

REQUIRED —

SEE BACK COVER FLAP for easy-ordering charts and requirements for doors thicker than 1.75"

MUST ORDER SEPARATELY

shown in grey

\*\* (All .KE hardware include 6701 ER cover)

BALDWIN



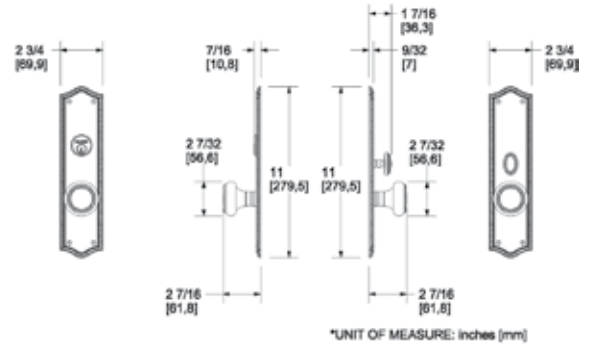


030, 031  
033, 034, 040  
050, 060, 102  
112, 150, 151  
190, 260, 264  
003, 055  
056, 402  
412, 452



Item #	Description	Wt.		
6554.xxx.ENTR	Entrance Trim – <b>Barclay (Knob) Set</b>	Set		
6554.xxx.DBLC	Double Cylinder	Set	495	\$570
6554.xxx.FD	Full Dummy	Set		
6554.xxx.ENFD†	1 Active Entrance Set + 1 Full Dummy Set	2 Sets	990†	1140†
6554.xxx.DM	Dummy Exterior only	Each	250	280
<b>INTERIOR</b>				
Interior Escutcheon –				
6991.xxx.KC	Cut for Cylinder (KC), Double Cylinder	Each		
6991.xxx.KE**	Cut for Emergency Release (KE)	Each	195	230
6991.xxx.KN	Cut for Knob (KN), Passage/Dummy	Each		
6991.xxx.KT	Interior Escutcheon w/ Turn Knob (KT)	Each	230	270
6991.xxx.KP	Escutcheons Cut for Privacy (KP)	Pair	390	460

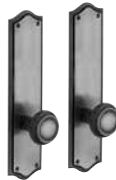
NOTE: 030 is not available with Entry Trim or KC escutcheons  
†.ENFD only available in 050, 112 & 190, to ensure a finish match on all components.



Trim thickness: .375" – G

MORTISE  
LOCKS

Sets	6554.xxx.ENTR	6554.xxx.DBLC	6554.xxx.FD
<b>Exterior Trim</b>	6991.xxx.KC	6991.xxx.KC	
<b>Interior Escutcheon</b>	6991.xxx.KT	6991.xxx.KC	6991.xxx.KN (x2)
<b>Knob/Lever</b>	5064.xxx.MR (Pair)	5064.xxx.MR (Pair)	5064.xxx.MR (Pair)
<b>Spindle</b>	0522 (4" Swivel)	0522 (4" Swivel)	0511 (4" Straight)
<b>Cylinder</b>	8323 (1.75" Door)	• (Double)	5099.004 (x2)
<b>Mortise Lock</b>	• (Knob Strength)	• (Knob Strength)	
<b>Blocking Ring</b>		•	



Designer	Passage
<b>Exterior Trim</b>	6991.xxx.KN
<b>Interior Escutcheon</b>	6991.xxx.KN
<b>Knob/Lever</b>	Pair
<b>Spindle</b>	•
<b>Cylinder</b>	
<b>Mortise Lock</b>	• (Latch or Interior Lock)
<b>Blocking Ring</b>	
<b>Turn Knob</b>	

REQUIRED

SEE BACK COVER FLAP for easy-ordering charts and requirements for doors thicker than 1.75"

\*\* (All .KE hardware include 6701 ER cover)

**MUST ORDER SEPARATELY**  
shown in grey

# ENTRANCE TRIM, MORTISE LAKESHORE™



MORTISE  
LOCKS

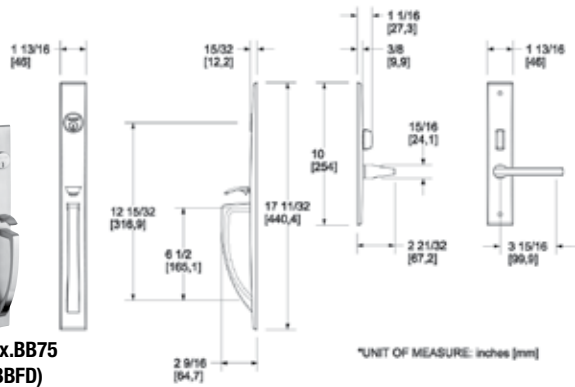
030, 031  
033, 034, 040  
050, 060, 102  
112, 150, 151  
190, 260, 264  
003, 055  
056, 402  
412, 452

Item #	Description	Wt.		
6966.xxx.RENT (LENT)	Entrance Trim – <b>Lakeshore</b>	Set	5.0	
6966.xxx.RDBL (LDBL)	Double Cylinder	Set		\$795 \$870
6966.xxx.RFD (LFD)	Full Dummy	Set		
6966.xxx.ENFD†	1 Active Entrance Set + 1 Full Dummy Set	2 Sets		1590† 1740†
6553.xxx.BB75	Entrance Back-to-Back – 1.75" door	Set		
6553.xxx.BB30	Entrance Back-to-Back – up to 3" door	Set		1095 1170
6553.xxx.BBFD	Dummy Back-to-Back	Set		
6553.xxx	Active Exterior Trim only	Each		590 635
6553.xxx.DM	Dummy Exterior only	Each		
6974.xxx.ENTR	Entrance Trim – <b>Lakeshore Lever Set</b>	Set	3.5	
6974.xxx.DBLC	Double Cylinder	Set		495 570
6974.xxx.FD	Full Dummy	Set		
6974.xxx.ENFD†	1 Active Entrance Set + 1 Full Dummy Set	2 Sets		990† 1140†
6974.xxx.RDM (LDM)	Dummy Exterior only	Each		250 280
	Interior Escutcheon –			
6502.xxx.KCOS (KCIS)	Cut for Cylinder (KC), Double Cylinder	Each		
6502.xxx.KEOS (KEIS)	Cut for Emergency Release (KE)	Each		195 230
6502.xxx.KNOS (KNIS)	Cut for Knob (KN), Passage/Dummy	Each		
6502.xxx.KTOS (KTIS)	Interior Escutcheon w/ Turn Knob (KT)	Each		230 270

NOTE: 030 is not available with Entry Trim or KC escutcheons  
†.ENFD only available in 050, 112 & 190, to ensure a finish match on all components.

## Sets

	6966.xxx.RENT (LENT)	6966.xxx.RDBL (LDBL)	6966.xxx.RFD (LFD)	6553.xxx.BB75 (BB30, BBFD)
Exterior Trim	6553.xxx	6553.xxx	6553.xxx.DM	6553.xxx (x2)
Interior Escutcheon	6502.xxx.KTIS	6502.xxx.KCIS	6502.xxx.KNIS	
Knob/Lever	5162.xxx.LMR (RMR)	5162.xxx.LMR (RMR)	5162.xxx.LMR (RMR)	
Spindle	0530 (2.375" Half)	0530 (2.375" Half)	5092 (1.5" Dummy)	
Cylinder	8323 (1.75" Door)	• (Double)	6761 (Dummy)	• (Double)
Mortise Lock	• (Lever Strength)	• (Lever Strength)		•
Blocking Ring		•		•



Trim thickness: .375" – G



## Sets

	6974.xxx.ENTR	6974.xxx.DBLC	6974.xxx.FD
Exterior Trim	6502.xxx.KCOS	6502.xxx.KCOS	6502.xxx.KNOS
Interior Escutcheon	6502.xxx.KTIS	6502.xxx.KCIS	6502.xxx.KNIS
Knob/Lever	5162.xxx.MR (Pair)	5162.xxx.MR (Pair)	5162.xxx.MR (Pair)
Spindle	0522 (4" Swivel)	0522 (4" Swivel)	0511 (4" Straight)
Cylinder	•	• (Double)	
Mortise Lock	• (Lever Strength)	• (Lever Strength)	
Blocking Ring		•	

REQUIRED

## Designer

	Entrance	Privacy
Exterior Trim	6553.xxx	6502.xxx.KEOS**
Interior Escutcheon	6502.xxx.KTIS	6502.xxx.KTIS
Knob/Lever	Half Pair	Pair
Spindle	•	•
Cylinder	•	
Mortise Lock	• (Lever Strength)	• (Latch & Bolt or Lock)
Blocking Ring		
Turn Knob		

SEE BACK COVER FLAP for easy-ordering charts and requirements for doors thicker than 1.75"

MUST ORDER SEPARATELY

shown in grey

\*\* (All .KE hardware include 6701 ER cover)

BALDWIN

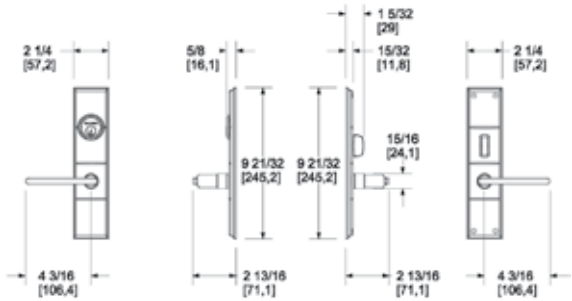


030, 031  
033, 034, 040  
050, 060, 102  
112, 150, 151  
190, 260, 264  
003, 055  
056, 402  
412, 452



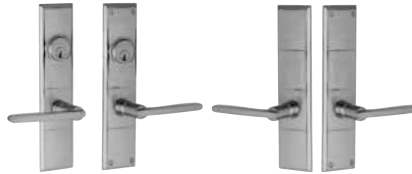
Item #	Description	Wt.		
6973.xxx.ENTR	Entrance Trim	Set	4.0	
6973.xxx.DBLC	Double Cylinder	Set		\$495 \$570
6973.xxx.FD	Full Dummy	Set		
6973.xxx.ENFD†	1 Active Entrance Set + 1 Full Dummy Set	2 Sets		990† 1140†
6973.xxx.RDM (LDM)	Dummy Exterior only	Each		250 280
	Interior Escutcheon –			
6506.xxx.KCOS (KCIS)	Cut for Cylinder (KC), Double Cylinder	Each		
6506.xxx.KEOS (KEIS)	Cut for Emergency Release (KE)	Each	195	230
6506.xxx.KNOS (KNIS)	Cut for Knob (KN), Passage/Dummy	Each		
6506.xxx.KTOS (KTIS)	Interior Escutcheon w/ Turn Knob (KT)	Each	230	270
6506.xxx.KP	Escutcheons Cut for Privacy (KP)	Pair	390	460

NOTE: 030 is not available with Entry Trim or KC escutcheons  
†.ENFD only available in 050, 112 & 190, to ensure a finish match on all components.



\*UNIT OF MEASURE: inches [mm]

Trim thickness: .435" – H



Sets	6973.xxx.ENTR	6973.xxx.DBLC	6973.xxx.FD
Exterior Trim	6506.xxx.KCOS	6506.xxx.KCOS	6506.xxx.KNOS
Interior Escutcheon	6506.xxx.KTIS	6506.xxx.KCIS	6506.xxx.KNIS
Knob/Lever	5164.xxx.MR (Pair)	5164.xxx.MR (Pair)	5164.xxx.MR (Pair)
Spindle	0522 (4" Swivel)	0522 (4" Swivel)	0511 (4" Swivel)
Cylinder	8324 (1.75" Door)	• (Double)	5099.004 (x2)
Mortise Lock	• (Lever Strength)	• (Lever Strength)	
Blocking Ring		•	



Designer	Entrance	Privacy	Passage
Exterior Trim	6506.xxx.KCOS	6506.xxx.KEOS	6506.xxx.KNOS
Interior Escutcheon	6506.xxx.KTIS	6506.xxx.KTIS	6506.xxx.KNIS
Knob/Lever	Pair	Pair	Pair
Spindle	•	•	•
Cylinder	•		
Mortise Lock	•	• (Latch & Bolt, Lock, or Latch)	• (Latch or Interior Lock)
Blocking Ring			
Turn Knob			

REQUIRED

SEE BACK COVER FLAP for easy-ordering charts and requirements for doors thicker than 1.75"

\*\* (All .KE hardware include 6701 ER cover)

**MUST ORDER SEPARATELY**

shown in grey

# ENTRANCE TRIM, MORTISE MINNEAPOLIS

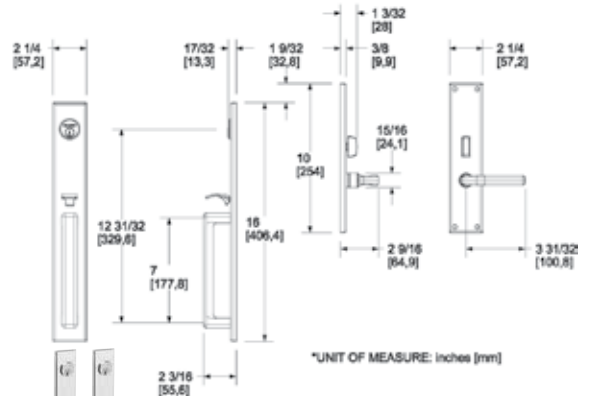


030, 031  
033, 034, 040  
050, 060, 102  
112, 150, 151  
190, 260, 264  
003, 055  
056, 402  
412, 452



	Item #	Description	Wt.		
SET	6976.xxx.RENT (LENT)	Entrance Trim	Set 5.5		
	6976.xxx.RDBL (LDBL)	Double Cylinder	Set	\$595	\$670
	6976.xxx.RFD (LFD)	Full Dummy	Set		
EXT	6976.xxx.ENFD†	1 Active Entrance Set + 1 Full Dummy Set	2 Sets	1190	1340†
	6620.xxx.BB75	Entrance Back-to-Back – 1.75" door	Set		
	6620.xxx.BB30	Entrance Back-to-Back – up to 3" door	Set	995	1070
	6620.xxx.BBFD	Dummy Back-to-Back	Set		
INTERIOR	6620.xxx	Active Exterior Trim	Each	465	510
	6620.xxx.DM	Dummy Exterior Trim	Each		
	6513.xxx.KC	Interior Escutcheon – Cut for Cylinder (KC), Double Cylinder	Each		
	6513.xxx.KE**	Cut for Emergency Release (KE)	Each	105	140
	6513.xxx.KN	Cut for Knob (KN), Passage/Dummy	Each		
	6514.xxx.KT	Interior Escutcheon w/ Turn Knob (KT)	Each	140	180

NOTE: 030 is not available with Entry Trim or KC escutcheons  
†.ENFD only available in 050, 112 & 190, to ensure a finish match on all components.



MORTISE  
LOCKS

## Sets

	6976.xxx.RENT (LENT)	6976.xxx.RDBL (LDBL)	6976.xxx.RFD (LFD)	6620.xxx.BB75 (BB30, BBFD)
Exterior Trim	6620.xxx	6620.xxx	6620.xxx.DM	6620.xxx (x2)
Interior Escutcheon	6514.xxx.KT	6513.xxx.KC	6513.xxx.KN	
Knob/Lever	5190.xxx.LMR (RMR)	5190.xxx.LMR (RMR)	5190.xxx.LMR (RMR)	
Spindle	0530 (2.375" Half)	0530 (2.25" Half)	5092 (1.5" Dummy)	
Cylinder	8323 (1.75" Door)	8323 (1.75" Door)	6761 (Dummy)	• (Double)
Mortise Lock	• (Lever Strength)	•		•
Blocking Ring		•		•

Trim width: 2.25"  
Trim thickness: .375" – G



## Designer

	Entrance	Entrance	Double Cylinder	Privacy	Passage
Exterior Trim	6620.xxx	6513.xxx.KC	6513.xxx.KC	6513.xxx.KE**	
Interior Escutcheon	6514.xxx.KT	6514.xxx.KT	6513.xxx.KC	6514.xxx.KT	6513.xxx.KN (x2)
Knob/Lever	Half Pair	Pair	Pair	Pair	Pair
Spindle	•	•	•	•	•
Cylinder	•	•	• (Double)		
Mortise Lock	•	• (Lever Strength)	• (Lever Strength)	• (Latch & Bolt or Lock)	• (Latch or Interior Lock)
Blocking Ring			•		
Turn Knob					

REQUIRED

SEE BACK COVER FLAP for easy-ordering charts and requirements for doors thicker than 1.75"

**MUST ORDER SEPARATELY**  
shown in grey

\*\* (All .KE hardware include 6701 ER cover)

BALDWIN



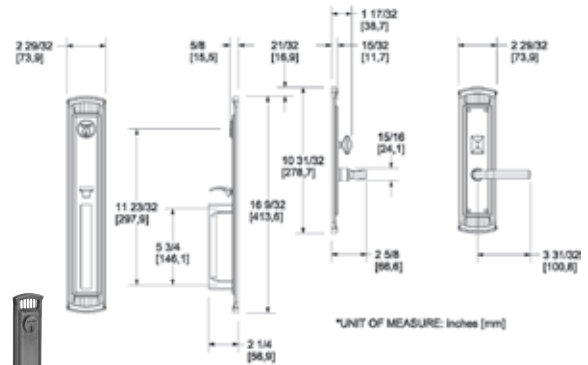
030, 031  
033, 034, 040  
050, 060, 102  
112, 150, 151  
190, 260, 264

003, 055  
056, 402  
412, 452



	Item #	Description	Qty	Wt.		
SET	6999.xxx.RENT (LENT)	Entrance Trim	Set	9.5		
	6999.xxx.RDBL (LDBL)	Double Cylinder	Set		\$795	\$870
	6999.xxx.RFD (LFD)	Full Dummy	Set			
EXT	6999.xxx.ENFD†	1 Active Entrance Set + 1 Full Dummy Set	2 Sets		1590†	1740†
	6690.xxx.BB75	Entrance Back-to-Back – 1.75" door	Set		1095	1170
INTERIOR	6690.xxx.BBFD	Entrance Back-to-Back	Set			
	6690.xxx	Active Exterior Trim	Each		590	635
	6690.xxx.DM	Dummy Exterior Trim	Each			
		Interior Escutcheon –				
	6709.xxx.KC	Cut for Cylinder (KC), Double Cylinder	Each			
	6709.xxx.KE**	Cut for Emergency Release (KE)	Each		195	230
	6709.xxx.KN	Cut for Knob (KN), Passage/Dummy	Each			
	6709.xxx.KT	Interior Escutcheon w/ Turn Knob (KT)	Each		230	270

NOTE: 030 is not available with Entry Trim or KC escutcheons  
†.ENFD only available in 050, 112 & 190, to ensure a finish match on all components.

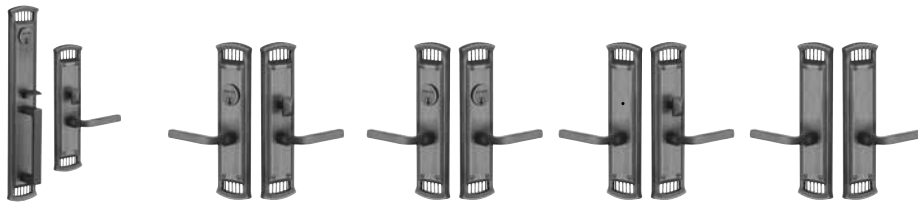


MORTISE  
LOCKS

**Sets**

	6999.xxx.RENT (LENT)	6999.xxx.RDBL (LDBL)	6999.xxx.RFD (LFD)	6690.xxx.BB75 (BBFD)
Exterior Trim	6690.xxx	6690.xxx	6690.xxx.DM	6690.xxx (x2)
Interior Escutcheon	6709.xxx.KT	6709.xxx.KC	6709.xxx.KN	
Knob/Lever	5190.xxx.LMR (RMR)	5190.xxx.LMR (RMR)	5190.xxx.LMR (RMR)	
Spindle	0530 (2.375" Half)	0530 (2.375" Half)	5092 (1.125" Dummy)	5092 (1.125" Dummy)
Cylinder	8324 (1.75" Door)	• (Double)	6761 (Dummy)	• (Double)
Mortise Lock	• (Lever Strength)	• (Lever Strength)		•
Blocking Ring		•		•

Trim width: 2.9"  
Trim thickness: .435" – H



**Designer**

	Entrance	Entrance	Double Cylinder	Privacy	Passage
Exterior Trim	6690.xxx	6709.xxx.KC	6709.xxx.KC	6709.xxx.KE**	
Interior Escutcheon	6709.xxx.KT	6709.xxx.KT	6709.xxx.KC	6709.xxx.KT	6709.xxx.KN (x2)
Knob/Lever	Half Pair	Pair	Pair	Pair	Pair
Spindle	•	•	•	•	•
Cylinder	•	•	• (Double)		
Mortise Lock	•	• (Lever Strength)	• (Lever Strength)	• (Latch & Bolt or Lock)	• (Latch & Interior Lock)
Blocking Ring			•		
Turn Knob					

REQUIRED

SEE BACK COVER FLAP for easy-ordering charts and requirements for doors thicker than 1.75"

\*\* (All .KE hardware include 6701 ER cover)

**MUST ORDER SEPERATELY**

shown in grey

# ENTRANCE TRIM, MORTISE CODY 3/4 ESCUTCHEON

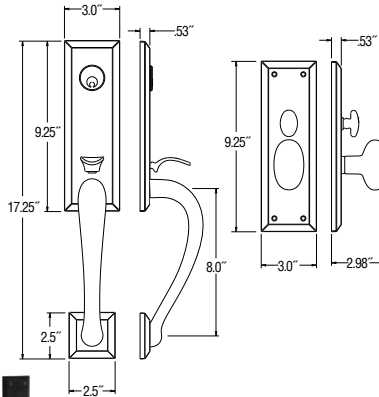


030, 031  
033, 034, 040  
050, 060, 102  
112, 150, 151  
190, 260, 264

003, 055  
056, 402  
412, 452

	Item #	Description	Wt.		
SET	M502.xxx.ENTR	Entrance Trim – Knob	Set	9.5	
	M502.xxx.RENT (LENT)	Entrance Trim – Lever	Set		
	M502.xxx.DBLC	Double Cylinder – Knob	Set		\$495
	M502.xxx.RDBL (LDBL)	Double Cylinder – Lever	Set		\$570
	M502.xxx.FD	Full Dummy – Knob	Set		
	M502.xxx.RFD (LFD)	Full Dummy – Lever	Set		
EXT	M502.xxx	Active Exterior Trim	Each		365
	M502.xxx.DM	Dummy Exterior Trim	Each		410
INTERIOR	Interior Escutcheon –				
	M502.xxx.KC	Cut for Cylinder (KC), Double Cylinder	Each		
	M502.xxx.KE**	Cut for Emergency Release (KE)	Each	105	140
	M502.xxx.KN	Cut for Knob (KN), Passage/Dummy	Each		
	M502.xxx.KT	Interior Escutcheon w/ Turn Knob (KT)	Each	140	180

NOTE: 030 is not available with Entry Trim or KC escutcheons  
†.ENFD only available in 050, 112 & 190, to ensure a finish match on all components.



MORTISE  
LOCKS

Lever Sets	M502.xxx.RENT (LENT)	M502.xxx.RDBL (LDBL)	M502.xxx.RFD (LFD)
Exterior Trim	M502.xxx	M502.xxx	M502.xxx.DM
Interior Escutcheon	M502.xxx.KT	M502.xxx.KC	M502.xxx.KN
Knob/Lever	5452V.xxx.LMR (RMR)	5452V.xxx.LMR (RMR)	5452V.xxx.LMR (RMR)
Spindle	0530 (2.375" Half)	0530 (2.25" Half)	5092 (1.5" Dummy)
Cylinder	8325 (1.75" Door)	(Double)	6761 (Dummy)
Mortise Lock	• (Lever Strength)	•	
Blocking Ring		•	

Trim width: 3"  
Trim thickness: .53" – H1



Knob Sets	M502.xxx.ENTR	M502.xxx.DBLC	M502.xxx.FD
Exterior Trim	M502.xxx	M502.xxx	M502.xxx.DM
Interior Escutcheon	M502.xxx.KT	M502.xxx.KC	M502.xxx.KN
Knob/Lever	5024.xxx.IMR	5024.xxx.IMR	5024.xxx.IMR
Spindle	0530 (2.375" Half)	0530 (2.25" Half)	5092 (1.5" Dummy)
Cylinder	8325 (1.75" Door)	(Double)	6761 (Dummy)
Mortise Lock	• (Lever Strength)	•	
Blocking Ring		•	

SEE BACK COVER FLAP for easy-ordering charts and requirements for doors thicker than 1.75"

\*\* (All .KE hardware include 6701 ER cover)

BALDWIN

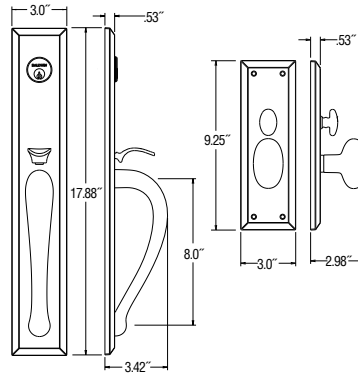


# ENTRANCE TRIM, MORTISE CODY FULL ESCUTCHEON



	Item #	Description	Wt.	030, 031 033, 034, 040		003, 055 056, 402	
				050, 060, 102 112, 150, 151 190, 260, 264	056, 402 412, 452		
SET	M504.xxx.ENTR	Entrance Trim – Knob	Set	9.5			
	M504.xxx.RENT (LENT)	Entrance Trim – Lever	Set				
	M504.xxx.DBLC	Double Cylinder – Knob	Set		\$595	\$670	
	M504.xxx.RDBL (LDBL)	Double Cylinder – Lever	Set				
	M504.xxx.FD	Full Dummy – Knob	Set				
	M504.xxx.RFD (LFD)	Full Dummy – Lever	Set				
EXT	M504.xxx	Active Exterior Trim	Each		465	510	
	M504.xxx.DM	Dummy Exterior Trim	Each				
INTERIOR	Interior Escutcheon –						
	M502.xxx.KC	Cut for Cylinder (KC), Double Cylinder	Each				
	M502.xxx.KE**	Cut for Emergency Release (KE)	Each		105	140	
	M502.xxx.KN	Cut for Knob (KN), Passage/Dummy	Each				
	M502.xxx.KT	Interior Escutcheon w/ Turn Knob (KT)	Each		140	180	

NOTE: 030 is not available with Entry Trim or KC escutcheons  
 †.ENFD only available in 050, 112 & 190, to ensure a finish match on all components.



Lever Sets	M504.xxx.RENT (LENT)	M504.xxx.RDBL (LDBL)	M504.xxx.RFD (LFD)
Exterior Trim	M504.xxx	M504.xxx	M504.xxx.DM
Interior Escutcheon	M502.xxx.KT	M502.xxx.KC	M502.xxx.KN
Knob/Lever	5452V.xxx.LMR (RMR)	5452V.xxx.LMR (RMR)	5452V.xxx.LMR (RMR)
Spindle	0530 (2.375" Half)	0530 (2.25" Half)	5092 (1.5" Dummy)
Cylinder	8325 (1.75" Door)	• (Double)	6761 (Dummy)
Mortise Lock	•	•	
Blocking Ring		•	

Trim width: 3"  
 Trim thickness: .53" – H1



Knob Sets	M504.xxx.ENTR	M504.xxx.DLBC	M504.xxx.FD
Exterior Trim	M504.xxx	M504.xxx	M504.xxx.DM
Interior Escutcheon	M502.xxx.KT	M502.xxx.KC	M502.xxx.KN
Knob/Lever	5024.xxx.IMR	5024.xxx.IMR	5024.xxx.IMR
Spindle	0530 (2.375" Half)	0530 (2.25" Half)	5092 (1.5" Dummy)
Cylinder	8325 (1.75" Door)	(Double)	6761 (Dummy)
Mortise Lock	•	•	
Blocking Ring		•	

SEE BACK COVER FLAP for easy-ordering charts and requirements for doors thicker than 1.75"

\*\* (All .KE hardware include 6701 ER cover)

# ENTRANCE TRIM, MORTISE BOULDER ¾ ESCUTCHEON

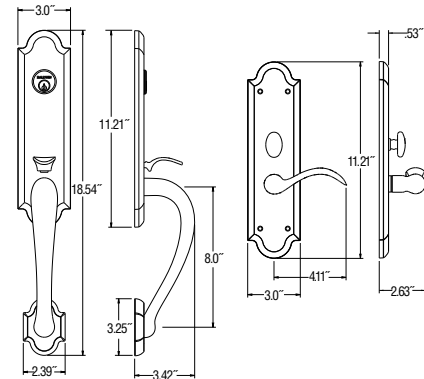


030, 031  
033, 034, 040  
050, 060, 102  
112, 150, 151  
190, 260, 264

003, 055  
056, 402  
412, 452

	Item #	Description	Wt.		
SET	M512.xxx.ENTR	Entrance Trim – Knob	Set	9.5	
	M512.xxx.RENT (LENT)	Entrance Trim – Lever	Set		
	M512.xxx.DBLC	Double Cylinder – Knob	Set		\$495
	M512.xxx.RDBL (LDBL)	Double Cylinder – Lever	Set		\$570
	M512.xxx.FD	Full Dummy – Knob	Set		
	M512.xxx.RFD (LFD)	Full Dummy – Lever	Set		
EXT	M512.xxx	Active Exterior Trim	Each		365
	M512.xxx.DM	Dummy Exterior Trim	Each		410
INTERIOR	Interior Escutcheon –				
	M512.xxx.KC	Cut for Cylinder (KC), Double Cylinder	Each		
	M512.xxx.KE**	Cut for Emergency Release (KE)	Each	105	140
	M512.xxx.KN	Cut for Knob (KN), Passage/Dummy	Each		
	M512.xxx.KT	Interior Escutcheon w/ Turn Knob (KT)	Each	140	180

NOTE: 030 is not available with Entry Trim or KC escutcheons  
†.ENFD only available in 050, 112 & 190, to ensure a finish match on all components.



Lever Sets	M512.xxx.RENT (LENT)	M512.xxx.RDBL (LDBL)	M512.xxx.RFD (LFD)
Exterior Trim	M512.xxx	M512.xxx	M512.xxx.DM
Interior Escutcheon	M512.xxx.KT	M512.xxx.KC	M512.xxx.KN
Knob/Lever	5452V.xxx.LMR (RMR)	5452V.xxx.LMR (RMR)	5452V.xxx.LMR (RMR)
Spindle	0530 (2.375" Half)	0530 (2.25" Half)	5092 (1.5" Dummy)
Cylinder	8325 (1.75" Door)	(Double)	6761 (Dummy)
Mortise Lock	•	•	
Blocking Ring		•	

Trim width: 3"  
Trim thickness: .53" – H1



Knob Sets	M512.xxx.ENTR	M512.xxx.DBLC	M512.xxx.FD
Exterior Trim	M512.xxx	M512.xxx	M512.xxx.DM
Interior Escutcheon	M512.xxx.KT	M512.xxx.KC	M512.xxx.KN
Knob/Lever	5024.xxx.IMR	5024.xxx.IMR	5024.xxx.IMR
Spindle	0530 (2.375" Half)	0530 (2.25" Half)	5092 (1.5" Dummy)
Cylinder	8325 (1.75" Door)	(Double)	6761 (Dummy)
Mortise Lock	•	•	
Blocking Ring		•	

SEE BACK COVER FLAP for easy-ordering charts and requirements for doors thicker than 1.75"

\*\* (All .KE hardware include 6701 ER cover)

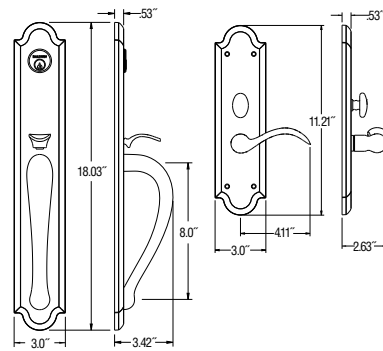
BALDWIN

# ENTRANCE TRIM, MORTISE BOULDER FULL ESCUTCHEON



Item #	Description	Wt.	030, 031		003, 055	
			033, 034, 040	050, 060, 102	056, 402	412, 452
SET	M514.xxx.ENTR	Entrance Trim – Knob	Set	9.5		
	M514.xxx.RENT (LENT)	Entrance Trim – Lever	Set			
	M514.xxx.DBLC	Double Cylinder – Knob	Set		\$595	\$670
	M514.xxx.RDBL (LDBL)	Double Cylinder – Lever	Set			
	M514.xxx.FD	Full Dummy – Knob	Set			
EXT	M514.xxx.RFD (LFD)	Full Dummy – Lever	Set			
	M514.xxx	Active Exterior Trim	Each		465	510
INTERIOR	M514.xxx.DM	Dummy Exterior Trim	Each			
	Interior Escutcheon –					
	M512.xxx.KC	Cut for Cylinder (KC), Double Cylinder	Each			
	M512.xxx.KE**	Cut for Emergency Release (KE)	Each		105	140
	M512.xxx.KN	Cut for Knob (KN), Passage/Dummy	Each			
M512.xxx.KT	Interior Escutcheon w/ Turn Knob (KT)	Each		140	180	

NOTE: 030 is not available with Entry Trim or KC escutcheons  
†.ENFD only available in 050, 112 & 190, to ensure a finish match on all components.



MORTISE  
LOCKS

Trim width: 3"  
Trim thickness: .53" – H1

## Lever Sets

	M514.xxx.RENT (LENT)	M514.xxx.RDBL (LDBL)	M514.xxx.RFD (LFD)
Exterior Trim	M514.xxx	M514.xxx	M514.xxx.DM
Interior Escutcheon	M512.xxx.KT	M512.xxx.KC	M512.xxx.KN
Knob/Lever	5452V.xxx.LMR (RMR)	5452V.xxx.LMR (RMR)	5452V.xxx.LMR (RMR)
Spindle	0530 (2.375" Half)	0530 (2.25" Half)	5092 (1.5" Dummy)
Cylinder	8325 (1.75" Door)	• (Double)	6761 (Dummy)
Mortise Lock	•	•	
Blocking Ring		•	



## Knob Sets

	M514.xxx.ENTR	M514.xxx.DBLC	M514.xxx.FD
Exterior Trim	M514.xxx	M514.xxx	M514.xxx.DM
Interior Escutcheon	M512.xxx.KT	M512.xxx.KC	M512.xxx.KN
Knob/Lever	5024.xxx.IMR	5024.xxx.IMR	5024.xxx.IMR
Spindle	0530 (2.375" Half)	0530 (2.25" Half)	5092 (1.5" Dummy)
Cylinder	8325 (1.75" Door)	(Double)	6761 (Dummy)
Mortise Lock	•	•	
Blocking Ring		•	

SEE BACK COVER FLAP for easy-ordering charts and requirements for doors thicker than 1.75"

\*\* (All .KE hardware include 6701 ER cover)

# ENTRANCE TRIM, MORTISE SOHO 3/4 ESCUTCHEON



030, 031  
033, 034, 040  
050, 060, 102  
112, 150, 151  
190, 260, 264

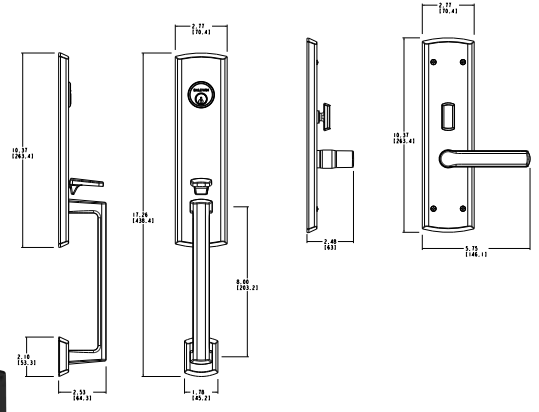
003, 055  
056, 402  
412, 452

	Item #	Description	Wt.		
SET	M516.xxx.RENT (LENT)	Entrance Trim – Lever	Set	9.5	
	M516.xxx.RDBL (LDBL)	Double Cylinder – Lever	Set		\$495 \$570
	M516.xxx.RFD (LFD)	Full Dummy – Lever	Set		
EXT	M516.xxx	Active Exterior Trim	Each		
	M516.xxx.DM	Dummy Exterior Trim	Each		365 410
INTERIOR	M516.xxx.KC	Interior Escutcheon – Cut for Cylinder (KC), Double Cylinder	Each		
	M516.xxx.KE**	Cut for Emergency Release (KE)	Each		105 140
	M516.xxx.KN	Cut for Knob (KN), Passage/Dummy	Each		
	M516.xxx.KT	Interior Escutcheon w/ Turn Knob (KT)	Each		140 180

NOTE: 030 is not available with Entry Trim or KC escutcheons  
†ENFD only available in 050, 112 & 190, to ensure a finish match on all components.



MORTISE  
LOCKS



Lever Sets	M516.xxx.RENT (LENT)	M516.xxx.RDBL (LDBL)	M516.xxx.RFD (LFD)
Exterior Trim	M516.xxx	M516.xxx	M516.xxx.DM
Interior Escutcheon	M516.xxx.KT	M516.xxx.KC	M516.xxx.KN
Knob/Lever	5485V.xxx.LMR (RMR)	5485V.xxx.LMR (RMR)	5485V.xxx.LMR (RMR)
Spindle	0530 (2.375" Half)	0530 (2.25" Half)	5092 (1.5" Dummy)
Cylinder	8325 (1.75" Door)	(Double)	6761 (Dummy)
Mortise Lock	•	•	
Blocking Ring		•	

Trim width: 2.77"  
Trim thickness: .53" – H1

SEE BACK COVER FLAP for easy-ordering charts and requirements for doors thicker than 1.75"

\*\* (All .KE hardware include 6701 ER cover)

BALDWIN

# ENTRANCE TRIM, MORTISE BETHPAGE 3/4 ESCUTCHEON



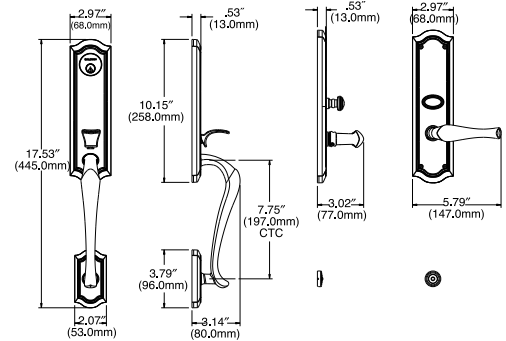
030, 031  
033, 034, 040  
050, 060, 102  
112, 150, 151  
190, 260, 264

003, 055  
056, 402  
412, 452



	Item #	Description	Wt.		
SET	M522.xxx.ENTR	Entrance Trim – Knob	Set	9.5	
	M522.xxx.RENT (LENT)	Entrance Trim – Lever	Set		
	M522.xxx.DBLC	Double Cylinder – Knob	Set		\$495
	M522.xxx.RDBL (LDBL)	Double Cylinder – Lever	Set		\$570
	M522.xxx.FD	Full Dummy – Knob	Set		
	M522.xxx.RFD (LFD)	Full Dummy – Lever	Set		
EXT	M522.xxx	Active Exterior Trim	Each		365
	M522.xxx.DM	Dummy Exterior Trim	Each		410
INTERIOR	Interior Escutcheon –				
	M522.xxx.KC	Cut for Cylinder (KC), Double Cylinder	Each		
	M522.xxx.KE**	Cut for Emergency Release (KE)	Each	105	140
	M522.xxx.KN	Cut for Knob (KN), Passage/Dummy	Each		
	M522.xxx.KT	Interior Escutcheon w/ Turn Knob (KT)	Each	140	180

NOTE: 030 is not available with Entry Trim or KC escutcheons  
†.ENFD only available in 050, 112 & 190, to ensure a finish match on all components.



MORTISE  
LOCKS

Lever Sets	M522.xxx.RENT (LENT)	M522.xxx.RDBL (LDBL)	M522.xxx.RFD (LFD)
Exterior Trim	M522.xxx	M522.xxx	M522.xxx.DM
Interior Escutcheon	M522.xxx.KT	M522.xxx.KC	M522.xxx.KN
Knob/Lever	5447V.xxx.LMR (RMR)	5447V.xxx.LMR (RMR)	5447V.xxx.LMR (RMR)
Spindle	0530 (2.375" Half)	0530 (2.25" Half)	5092 (1.5" Dummy)
Cylinder	8325 (1.75" Door)	(Double)	6761 (Dummy)
Mortise Lock	•	•	
Blocking Ring		•	

Trim width: 3"  
Trim thickness: .53" – H1



Knob Sets	M522.xxx.ENTR	M522.xxx.DBLC	M522.xxx.FD
Exterior Trim	M522.xxx	M522.xxx	M522.xxx.DM
Interior Escutcheon	M522.xxx.KT	M522.xxx.KC	M522.xxx.KN
Knob/Lever	5077.xxx.IMR	5077.xxx.IMR	5077.xxx.IMR
Spindle	0530 (2.375" Half)	0530 (2.25" Half)	5092 (1.5" Dummy)
Cylinder	8325 (1.75" Door)	(Double)	6761 (Dummy)
Mortise Lock	•	•	
Blocking Ring		•	

SEE BACK COVER FLAP for easy-ordering charts and requirements for doors thicker than 1.75"

\*\* (All .KE hardware include 6701 ER cover)

# 1.75" – 2.25" DOORS (MORTISE)

Give your doors of distinction the hardware to match with Baldwin luxury entrysets—now easily compatible with custom decorative iron/steel doors in a wide range of thicknesses.

>Kits available for doors 1.5" to 2.25" thick

>Choose from dozens of Baldwin styles

>Mortise and tubular options available

>Easy to implement

## FINISH EQUIVALENCIES

### FINISH EQUIVALENCY GRID\*

Trim Finish	Kit Finish	Trim Finish	Kit Finish	Trim Finish	Kit Finish	Trim Finish	Kit Finish
003	= 221	050	= 102	112	= 112	260	= 140
	= 221	055	= 140	140	= 140	264	= 140
031	= 221	056	= 140	150	= 140	402	= 102
033	= 221	060	= 221	151	= 151	412	= 112
040	= 221	102	= 102	190	= 102	452	= 151

\*Does not apply to 6501 A-C kits due to blocking rings

MORTISE  
LOCKS

## THICK DOOR KITS

1.75" to 2.25" door thickness mortise handlesets

### MORTISE HANDLESETS, STEEL DOOR

Kit	For Entrance Trim #	102, 112 140, 151, 221
6599.XXX.THKA	Monterey (6565, .0937)	
6599.XXX.THKB	Victoria (6948, .1875), Kensington (6950, .3125)	
6599.XXX.THKC	San Diego (6540, .0937), Lancaster (6543, .0937), Richmond (6557, .0937), Dallas (6931, .0937)	
6599.XXX.THKD	Bristol (6963, .375), Concord (6571, .25)	
6599.XXX.THKE	Springfield (6573, .3125), Lexington (6560, .3125), Atlanta (6570, .375), Minneapolis (6976, .375), Boulder (M512/M514, .53), Cody (M502/M504, .53), Trenton (6567, .1875), Pasadena (6944, .375), Palm Springs (6920, 6921)	
6599.XXX.THKF	Williamsburg (6549, .3125)	\$22
6599.XXX.THKG	New York (6562, .25)	
6599.XXX.THKH	Chicago (6563, .0937)	
6599.XXX.THKI	Edinburgh (6952, .435), Richland (6999, .435)	
6599.XXX.THKJ	Edinburgh Sectional (6515, .5625), Oval Edinburgh (6516, .5625), Bristol Sectional (6520, .5625), 3/4 Kensington (6526, .5625)	
6599.XXX.THKK	Hamilton (6544, .75), Tremont (6542, .75)	
6599.XXX.THKL	Lakeshore (6966, .396)	

### MORTISE, WOOD DOOR

Kit	For Entrance Trim #	Price
6501.000.A	6515, 6520, 6526, 6540, 6541, 6543, 6549, 6556, 6557, 6560, 6564, 6565, 6567, 6568, 6570, 6571, 6572, 6573, 6931, 6946, 6948, 6950, 6963, 6976 active & dummy	\$6
6501.000.B	6548, 6562, 6563, 6915 active & dummy	20
6501.000.C	6920, 6921, 6944, 6952, 6999 active & dummy, M502, M504, M512, M514, M516, M522	30
6501.000.D	6542, 6544, 6545 ACTIVE ONLY	18
6501.000.E	6542, 6544, 6545 DUMMY ONLY	22
6501.000.F	6966	26

**REQUIRED** for all doors over 1.75" and up to 2.25" thick Thick Door Kits

**REQUIRED** for all doors over 1.75" and up to 2.25" thick Thick Door Kits are for Handlesets ONLY, not Entrance Sets (Entrance sets are knob x knob or lever x lever)



# 1.5" – 1.625" STEEL DOORS (MORTISE & TUBULAR)

**THIN STEEL DOOR KITS – Mortise**  
1.5" to 1.625" Door Thickness Mortise Handlesets

Item #	For Entrance Trim #	030, 031, 033, 034, 040 050, 060, 102 112, 150, 151 190, 260, 264	003, 055 056, 402 412, 452
6501.XXX.15A	San Diego (6540, .0937"), Lancaster (6543, .0937"), Richmond (6557, .0937"), Dallas (6931, .0937")	\$40	\$45
6501.XXX.15B	Monterey (6565, .0937")	\$40	
6501.XXX.15C	Chicago (6563, .0937")	\$30	

Item #	For Entrance Trim #	037, 102 112, 140 151, 221	
6501.XXX.15D	Victoria (6948, .1875"), Kensington (6950, .3125"), Edinburgh (6952, .435")	\$30	
6501.XXX.15E	Trenton (6567, .1875"), Concord (6571, .25")	\$30	
6501.XXX.15G	New York (6562, .25")	\$25	
6501.XXX.15H	Williamsburg (6549, .3125")	\$30	
6501.XXX.15I	Springfield (6573, .3125"), Lexington (6560, .3125"), Atlanta (6570, .375"), Minneapolis (6976, .375"), Boulder (M512/M514, .53"), Cody (M502/M504, .53")	\$30	
6501.XXX.15J	Lakeshore (6966, .396")	\$30	
6501.XXX.15L	Richland (6999, .435")	\$35	
6501.XXX.15M	Pasadena (6944, .375")	\$35	
6501.XXX.15N	Bristol (6963, .375"), Edinburgh Sectional (6515, .5625"), Oval Edinburgh (6516, .5625"), Bristol Sectional (6520, .5625"), ¾ Kensington (6526, .5625")	\$30	
6501.XXX.15O	Hamilton (6544, .75"), Tremont (6542, .75")	\$35	

**REQUIRED** for all doors 1.5" and up to 1.625" thick Thin Door Kits are for Handlesets ONLY, not Entrance Sets (Entrance sets are knob x knob or lever x lever)

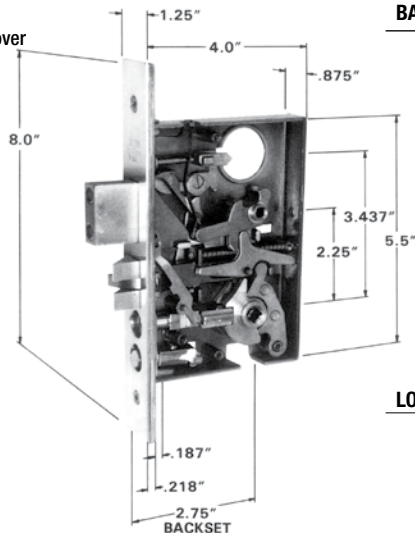
MORTISE  
LOOKS

**THIN STEEL DOOR KITS – Tubular**  
1.5" Door Thickness Tubular Handlesets

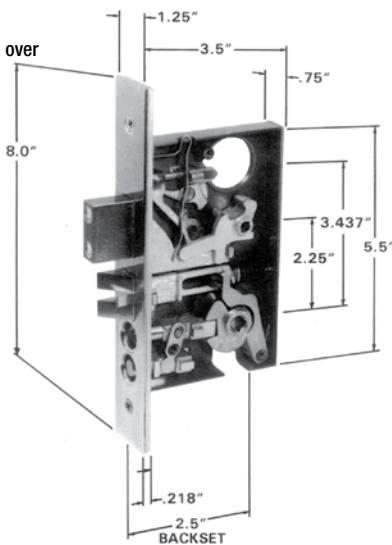
Item #	For Entrance Trim #	030, 031 050, 102 112, 150 151, 190 260, 264	003, 055 056, 402 412, 452
5397.XXX.15A	Handleset w/ <b>KNOB</b> : Bethpage (85327), Buckingham (85380), Canterbury (85305), Glennon (85375), Logan (85305 & 85315), Madison (85320) & Nantucket (85370)		
5397.XXX.15B	Handleset w/ <b>LEVER</b> : Bethpage (85327), Buckingham (85380), Canterbury (85305), Glennon (85375), Logan (85305 & 85315), Madison (85320) & Nantucket (85370)	\$50	\$55
5397.xxx.15E	<b>EGRESS</b> : Bethpage 3/4 (85337), Blakely (85360), Boulder (85354), Cody (85352), Manchester (85350), Stonegate (85335)		
5397.xxx.15F	<b>EGRESS</b> : Bristol (6420), Boulder (6402), Cody (6403), Devonshire (6401), Edinburgh (6415 & 6416), Kensington (6426)		

# MORTISE LOCKS SPECIFICATIONS

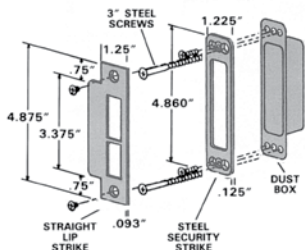
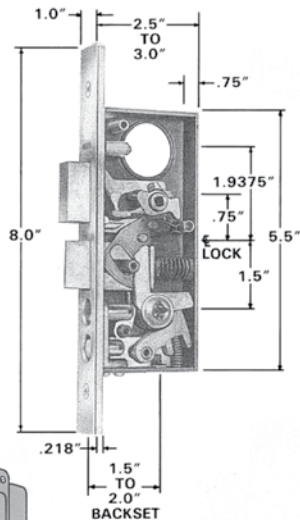
## 2.75" Backset for doors 1.75" thick and over



## 2.5" Backset for doors 1.375" thick and over



## 1.5" & 2" Backset for doors 1.375" thick and over



### BACKSET:

2.75" – for doors 1.75" thick and over	<b>STEEL CASE:</b> .875" × 4" × 5.5" (22 × 102 × 140mm)
2.5" – for doors 1.375" thick and over, 1.375" doors REQUIRE 1" FRONT	<b>STEEL CASE:</b> .75" × 3.5" × 5.5" (19 × 89 × 140mm)
NOTE: Baldwin recommends the usage of 2.75" backset locks for doors thicker than 2" or doors 8ft or taller.	
1.5" (38mm) and 2" (51mm) Narrow Backset – for doors 1.375" thick and over	<b>STEEL CASE:</b> 1.5" Backset: .75" × 1.5" × 5.5" (19 × 64 × 140mm)
NOTE: Baldwin recommends the usage of 2.75" backset locks for doors thicker than 2" or doors 8ft or taller.	
	2.0" Backset: .75" × 3" × 5.5" (19 × 76 × 140mm)

### LOCK SPECIFICATIONS:

- >Standardized heavy steel case is smooth, easy to mortise, and assures snug and solid fit in door mortise.
- >Vital interior working parts are made of solid hot forged brass or steel for a lifetime of trouble-free operation.
- >All lock cases are constructed of heavy gauge steel (.093–2.4mm - material) and plated with a protective rust-resistant coating to retard oxidation.
- >All locks and strikes are designed to fit standard preparation ANSI A115.1 (face cutouts are subject to variation).
- >Locks have adjustable forged brass lock fronts, protected by armored scalp fronts for ultimate Strength and protection against tampering.
- >All KEYED lock functions illustrated within this section are furnished with a specially-designed security strike constructed of high grade steel for ultimate Strength and durability. The security strike is mortised into the wood jamb and anchored to the structural components of the opening with two 3" steel screws and covered with a finished strike to conceal the fasteners.
- >Most lock functions are completely reversible in the field to facilitate installation
- >The bevel of front is adjustable from flat to standard bevel .125" on 2" (3mm on 51mm).
- >Most metal door and frame manufacturers have provided reinforcements for Baldwin Mortise Locks.

**FRONT:** Hot forged brass .218" × 1.25" × 8" (6 × 32 × 203mm). Adjustable for beveled conditions.

**SCALP:** Wrought brass and bronze, available in standard finishes.

**ANTI-FRICTION LATCH BOLT:** Furnished with all 2.75" and 2.5" backset locks  
2.75" – .625" × 1" (16 × 25mm) × .75" (19mm) throw.  
2.5" – .5" × 1" (13 × 25mm) × .75" (19mm) throw  
Furnished in US4 and 26D finishes to match trim

**SOLID LATCH BOLT:** All 1.5" (38mm) and 2" (51mm) backset locks are furnished standard with a solid latch bolt of .5" (13mm) throw and 1" (25mm) wide front. An optional 1.25" (32mm) wide front is available.

**DEADBOLT:** 2.5" and 2.75" backsets equipped with a 1" (25mm) throw deadbolt with two hardened steel inserts for maximum protection and security. All deadbolts are of forged brass construction. Locks designed with 1.5" (38mm) and 2" (51mm) backsets have a .5" (13mm) throw deadbolt. Furnished in US4 and 26D finishes to match trim.

**HUB SIZE:** .29" (7mm) with two-way rotation. Broached on the diamond. (One-way rotation on LS functions).

**SPACING:** center to center of: Knob Hub to cylinder 3.437" (87mm)  
Knob Hub to turn piece 2.25" (57mm)

**CYLINDER:** Standard mortise type with O3 keyway and two nickel silver keys. Cylinder is not supplied with lock.

**KEYING:** All levels of Keying including Construction Keying are available.

**STRIKE:** Wrought brass and bronze finished to match. Supplied to ANSI standard A115.1, 1.25" (32mm) lip to center. Locks furnished standard with straight lip strike (Universal) and dust box. Curved lip and special length strikes available. All KEYED lock functions are furnished standard with a high grade steel security strike and two 3" steel screws.

**TEMPLATE:** Metal doors/frames to be prepared in accordance with ANSI A115.1 or A115.11. Face cutouts are subject to variation. always review trim requirements before door preparation.

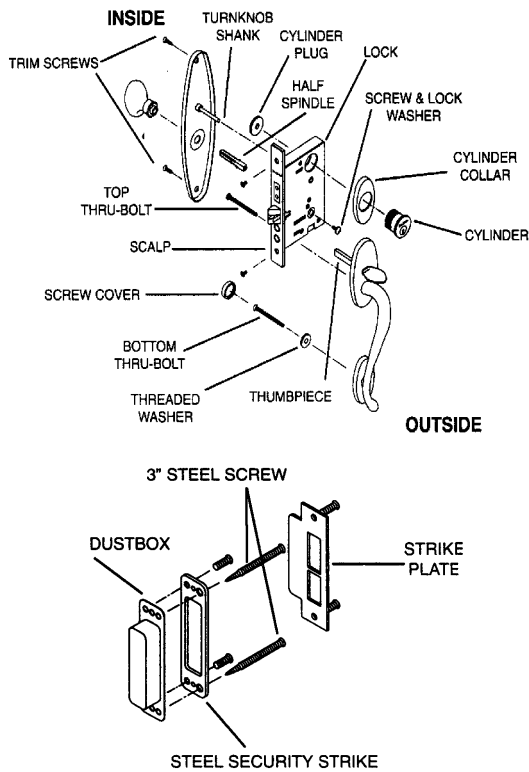
**WARNING:** 1.5" AND 2.0" BACKSET LOCKS ARE designed to be used with levers. If knobs are specified, customer should be advised that the knob will only turn in one direction and will have a stiff turning action: NOT RECOMMENDED.



### All 2.5" and 2.75" Entrance Mortise Locks are U/L Listed

Baldwin UL-listed 2.5" and 2.75" mortise locks meet US standard UL-10C and Canadian standard CAN4 S104-M80 for survival of a 3-hour burn under positive pressure. All Baldwin Estate Collection mortise entry trim and Estate Collection knob/lever trim may be used with Baldwin UL-listed mortise locks.

# SPECIFICATIONS | HOW TO ORDER



Trim Symbol	Description	2.75" BACKSET (Handle Sets, Knobs & Levers)	2.5" BACKSET (Handle Sets, Knobs & Levers)	2" BACKSET (Handle Sets & Levers)	1.5" BACKSET (Handle Sets & Levers)
ENTR	Entrance Function	6001, 6010, 6020, 6021, 6070, 6075, 6077, 6091	6301, 6310, 6320, 6321, 6375	6802, 6812, 6832	6800, 6810, 6830
SGLC	Single Cylinder Function	6051, 6053, 6060, 6065, 6066, 6130	—	—	—
EXTR	Exterior Patio Function	6055, 6100	6315	6847	6845
PRIV	Privacy Function	6055, 6100	6315	6847	6845
PASS	Passage Function	6110	6318	6857	6855
BB75	Back To Back Handle Sets	6025	6325	—	—

**NOTE:** Entrance function locks may be used in either single cylinder or double cylinder applications.  
**TO ORDER:** 2.75"/2.5" backset locks for levers, specify LS (Lever Strength) after lock number (i.e. 6375.030.RLS LOCK - RH).

**NOTE:** 1.5" and 2.0" Backset Locks are designed to be used with levers. If knobs are specified, customer should be advised that the knob will only turn in one direction and will have a stiff turning action: NOT RECOMMENDED.

**CURVED LIP STRIKES:** Locks may be ordered with curved lip strikes. The hand of strike will match the hand of the door. Please specify hand of door when ordering. A left hand reverse door will use a right hand strike and a right hand reverse door will use a left hand strike.

\*Optional 1" (25mm) front with .75" (19mm) solid latch bolt available for doors of 1.375" (35mm) in thickness. Furnished standard with a curved lip strike.

MORTISE LOCKS

## HOW TO ORDER MORTISE LOCKS

1. All Mortise Locks have a handed Suffix (.R or .L)
2. All Mortise Locks are either Knob Strength (no addition to Suffix) or Lever Strength (LS added to the Suffix)

**WARNING: DO NOT USE Lever Strength mortise locks with knobs. They only turn one way and have a stiff turning action suitable for levers.**

### SUFFIX CHART

	Suffix	Minus Strike	With 1" Front*
Right hand	.R	.RDT	.R1DT
Left hand	.L	.LDT	.L1DT
Right hand Reverse bevel	.RR	.RRDT	.RR1DT
Left hand Reverse bevel	.LR	.LRDT	.LR1DT
Right hand Lever Strength	.RLS	.RLSDT	.RLS1DT
Left hand Lever Strength	.LLS	.LLSDT	.LLS1DT
Right hand Reverse bevel Lever Strength	.RRLS	.RRLSDT	.RRLS1DT
Left hand Reverse bevel Lever Strength	.LRLS	.LRLSDT	.LRLS1DT

\*Applies to 2.5" backset locks. For 1" Front DT Distinguishes minus strike. If ordering with strike, do not include the DT note.

3. Other Mortise Lock options:  
 Reverse Bevel doors (RR or LR)  
 Minus Strike (DT), when an Extended Lip Strike is needed (order Strike separately) Optional 1" Front (1) for 1.375" doors

4. ALWAYS REVIEW SUFFIX CHART!

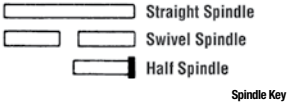
# MORTISE LOCKS

## ENTRANCE FUNCTIONS

031, 033,  
034, 040, 050, 060  
102, 112, 150, 151  
152, 190, 260, 264  
003  
055  
056

### List of available handling options

	Suffix*
Right hand	.R
Left hand	.L
Right hand Reverse bevel	.RR
Left hand Reverse bevel	.LR
Right hand Lever Strength	.RLS
Left hand Lever Strength	.LLS
Right hand Reverse bevel Lever Strength	.RRLS
Left hand Reverse bevel Lever Strength	.LRLS
Right hand Reverse bevel Lever Strength with 1" Front	.RRB1
Left hand Reverse bevel Lever Strength with 1" Front	.LRB1



Item #	Description	Backset	Wt.	Std. Strike		
6001.xxx.Suffix*	Entrance/Apartment	Knob x Knob/Lever x Lever	2.75"	3.0	6040	
6020.xxx.Suffix*	Residential Entrance	Handleset x Knob/Lever	2.75"	3.0	6040	
6021.xxx.Suffix*	Entrance – Emergency Egress	Handleset x Knob/Lever	2.75"	3.0	6040	\$345
6025.xxx.Suffix*	Entrance Back-to-Back	Handleset x Handleset	2.75"	3.0	6040	\$365
6066.xxx.Suffix*	Electrified Strike Entrance	Handleset x Knob/Lever	2.75"	2.8	N/A	
6075.xxx.Suffix*	Entrance – Emergency Egress	Knob x Knob/Lever x Lever	2.75"	3.0	6040	
<hr/>						
6301.xxx.Suffix*	Entrance/Apartment	Knob x Knob/Lever x Lever	2.5"	3.0	6340	
6310.xxx.Suffix*	Entrance/Storeroom	Knob x Knob/Lever x Lever	2.5"	3.0	6340	
6320.xxx.Suffix*	Residential Entrance	Handleset x Knob/Lever	2.5"	3.0	6340	\$345
6321.xxx.Suffix*	Entrance – Emergency Egress	Handleset x Knob/Lever	2.5"	3.0	6340	\$365
6325.xxx.Suffix*	Entrance Back-to-Back	Handleset x Handleset	2.5"	3.0	6340	
6375.xxx.Suffix*	Entrance – Emergency Egress	Knob x Knob/Lever x Lever	2.5"	3.0	6340	
<hr/>						
6800.xxx.Suffix*	Entrance/Apartment	Lever x Lever	1.5"	3.0	6340	
6802.xxx.Suffix*	Entrance/Apartment	Lever x Lever	2"	3.0	6340	
6810.xxx.Suffix*	Entrance/Storeroom	Lever x Lever	1.5"	3.0	6340	\$345
6812.xxx.Suffix*	Entrance/Storeroom	Lever x Lever	2"	3.0	6340	\$365
6832.xxx.Suffix*	Residential Entrance	Handleset x Lever	2"	3.0	6340	
All Mortise Locks shown above Minus Strike (DT) – Order w/ strike separately through Baldwin Customer Service					\$315	\$330

### Mortise Locks NOT available in Distressed finishes, non-distressed equivalents 402=102, 412=112, 452=152

2.75" backsets comes with the 1.25" front.

2.5" backsets comes with the 1.25" front. Non-standard 1" inch fronts are available for a 10% additional charge. To order non-standard front, add a '1' at the end of the Item #. ie 6802.112.R1 (except Reverse Bevel, LRB1, RRB1 and cannot apply to 2.75" backsets)

2" backsets comes with the 1" front. Non-standard 1.25" fronts are available for a 10% additional charge. To order non-standard front, add a '125' at the end of the Item #. ie 6802.112.R125 (except Reverse Bevel, LRB1, RRB1 and cannot apply to 2.75" backsets)

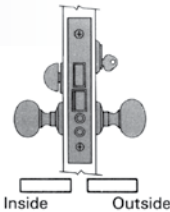
> Specify handing with Suffix\* after finish designation (Suffix chart above left)

> Some Baldwin mortise locks are reversible in the field if needed – see individual functions

NOTE: Baldwin recommends the usage of 2.75" backset locks for doors thicker than 2" or doors 8ft or taller.

WARNING: DO NOT USE lever Strength mortise locks with knobs. They only turn one way and have a stiff turning action suitable for levers.

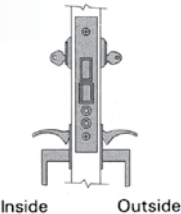
### 6001, 6301, 6800, 6802 Entrance and Apartment



- > Latch bolt by knob from either side, except when outside knob is locked by stop in front; then latch bolt by key outside and knob inside.
- > Deadbolt by key outside and turn piece inside. Continuous turn of key outside retracts both latch and Deadbolt.
- > 1" (25mm) throw Deadbolt with saw-proof inserts is standard equipment. (Not available for 2" or smaller backsets)
- > When extended, Deadbolt deadlocks latch bolt (not true for 6800 & 6802)

FEDERAL SPECIFICATION EQUIVALENTS (FSE): ANSI Series: 1000-F08/F10  
NOTE: For single and double cylinder applications

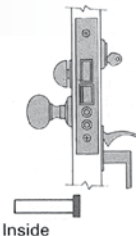
### 6025, 6325 Back-To-Back Entrance



- > Latch bolt by thumb piece from either side, except when outside thumb piece is locked by stop in front, then latch bolt by key either side and thumb piece inside.
- > Deadbolt by key either side, continuous turn of key retracts both latch and Deadbolt.
- > 1" (25mm) throw Deadbolt with saw-proof inserts is standard equipment. When extended, Deadbolt deadlocks latch bolt.

NOTE: To order and price complete trim sets, order two sets of exterior handle trim in "BBXX" configuration. Baldwin Mortise Lock Turn Piece cylinder 844X.XXX may be used for interior, see page 134.

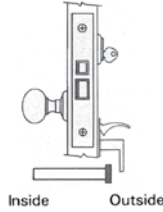
### 6020, 6320, 6832 Residential Entrance



- > Latch bolt by thumb piece outside and knob inside, except when thumb piece is locked by stop in front; then latch bolt by key outside and knob inside.
- > Deadbolt by key outside and turn piece inside.
- > Continuous turn of key outside retracts both latch and Deadbolt.
- > 1" (25mm) throw Deadbolt with saw-proof inserts is standard equipment. (Not available for 2" or smaller backsets)
- > When extended, Deadbolt deadlocks latch bolt. (not true for 6830 & 6832)

FSE: Government Type: 122A  
NOTE: May be used in single and double cylinder applications

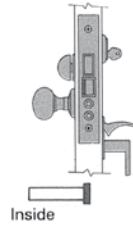
**6066**  
Electric Strike Entrance



- >Latch bolt by knob inside and key outside. Outside trim is always rigid.
- >Auxiliary latch deadlocks latch bolt.
- >Optional solid latch bolt is available with this lock.
- >Caution should be used to ensure that the electric strike being used properly engages the latch mechanism while depressing the auxiliary latch.

NOTE: A full dummy trim with an active spindle is recommended for use with this lock.

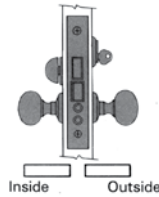
**6021, 6321**  
Residential Entrance, Emergency Egress



- >Latch bolt by thumb piece outside and knob inside, except when thumb piece is locked by stop in front; then latch bolt by key outside and knob inside.
- >Deadbolt by key outside and turn piece inside.
- >When Deadbolt is thrown, stop is automatically activated making outside thumb piece rigid. Inside knob retracts latch and Deadbolt simultaneously but DOES NOT free outside thumb piece.
- >1" (25mm) throw Deadbolt with saw-proof inserts is standard equipment.
- >When extended, Deadbolt deadlocks latch bolt.

NOTE: Not recommended for double cylinder applications.  
NOTE: 6321 - NOT FIELD REVERSIBLE

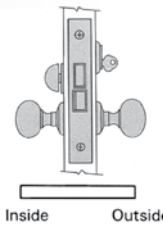
**6075, 6375**  
Entrance, Emergency Egress



- >Latch bolt by knob from either side, except when outside knob is locked by stop in front; then latch bolt by key outside and knob inside. Deadbolt by key outside and turn piece inside.
- When Deadbolt is thrown, stop is automatically activated making outside knob rigid. Inside knob retracts latch and Deadbolt simultaneously but DOES NOT free outside knob.
- >1" (25mm) throw Deadbolt with saw-proof inserts is standard equipment.
- When extended, Deadbolt deadlocks latch bolt.

FSE: ANSI Series: 1000-F12/F20  
NOTE: Not recommended for double cylinder applications.  
NOTE: 6375 - NOT FIELD REVERSIBLE

**6310, 6812, 6810**  
Entrance And Storeroom

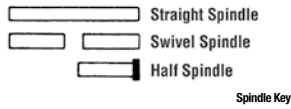


- >Latch bolt by knob either side. Deadbolt by key outside and turn piece inside.
- >1" (25mm) throw Deadbolt with saw-proof inserts is standard equipment.
- (Not available for 2" or smaller backsets)
- When extended, Deadbolt deadlocks latch bolt.

FSE: ANSI Series: 1000-F21  
NOTE: for single and double cylinder applications.

# GRADE 1 COMMERCIAL LOCKS FOR SURFACE MOUNTED TRIMS

List of available handling options	
	Suffix*
Right hand Lever Strength	.RLS
Left hand Lever Strength	.LLS
Right hand Reverse bevel Lever Strength	.RRLS
Left hand Reverse bevel Lever Strength	.LRLS



Swivel spindles are recommended for all Grade 1 Mortise Locks, except G110-G311 Passage

### WHEN ORDERING CYLINDERS

All G-series light commercial mortise locks require a special cylinder.

Use the existing cylinder chart (back flap) for cylinder length, but add a suffix 'EMHT' to the end of the Item #.

(same price as standard C keyway cylinders)

**EXAMPLE:**

Lifetime Polished Brass 1.25" cylinder for G-series mortise locks

8323.003.EMHT

**NOTE:** Emhart Cam can be purchase separately, see page 128.

Item #	Description	ANSI	Backset		030, 031, 033, 034, 040, 050, 060 102, 112, 150, 151 152, 190, 260, 264	003 055 056
G6010.xxx.Suffix*	Dormitory Entrance or Storeroom	Lever x Lever	F21	2.75"	\$375	\$395
G6055.xxx.Suffix*	Privacy, Bedroom or Bathroom	Lever x Lever	F19			
G6060.xxx.Suffix*	Classroom, Entrance or Office	Lever x Lever	F04	2.75"	335	355
G6065.xxx.Suffix*	Storeroom or Closet	Lever x Lever	F07			
G6075.xxx.Suffix*	Entrance or Apartment	Lever x Lever	F12	2.75"	375	395
G6085.xxx.Suffix*	Entrance or Public Restroom	Lever x Lever	F09	2.75"	335	355
G6090.xxx.Suffix*	Store Door	Lever x Lever	F14	2.75"	375	395
G6110.xxx.Suffix*	Passage or Closet	Lever x Lever	F01	2.75"	335	355
G6130.xxx.Suffix*	Classroom	Lever x Lever	F05			
G6310.xxx.Suffix*	Dormitory Entrance or Storeroom	Lever x Lever	F21	2.5"	375	395
G6318.xxx.Suffix*	Passage or Closet	Lever x Lever	F01			
G6355.xxx.Suffix*	Privacy, Bedroom or Bathroom	Lever x Lever	F19	2.5"	335	355
G6360.xxx.Suffix*	Classroom, Entrance or Office	Lever x Lever	F04			
G6365.xxx.Suffix*	Storeroom or Closet	Lever x Lever	F07			
G6375.xxx.Suffix*	Entrance or Apartment	Lever x Lever	F12	2.5"	375	395
G6377.xxx.Suffix*	Entrance or Apartment	Lever x Lever	F20			
G6385.xxx.Suffix*	Entrance or Public Restroom	Lever x Lever	F09	2.5"	335	355
G6330.xxx.Suffix*	Classroom	Lever x Lever	F05	2.5"	335	355
G6390.xxx.Suffix*	Store Door	Lever x Lever	F14	2.5"	375	395

**Mortise Locks NOT available in Distressed finishes, non-distressed equivalents 402=102, 412=112, 452=152**

2.75" backsets comes with the 1.25" front.

2.5" backsets comes with the 1.25" front. Non-standard 1" inch fronts are available for a 10% additional charge. To order non-standard front, add a '1' at the end of the Item #. ie 6802.112.R1 (except Reverse Bevel, LRB1, RRB1 and cannot apply to 2.75" backsets)

1.5" and 2" backsets comes with the 1" front. Non-standard 1.25" fronts are available for a 10% additional charge. To order non-standard front, add a '125' at the end of the Item #. ie 6802.112.R125 (except Reverse Bevel, LRB1, RRB1 and cannot apply to 2.75" backsets)

**WARNING: DO NOT USE lever Strength mortise locks with knobs. They only turn one way and have a stiff turning action suitable for levers.**

MORTISE LOCKS

**Application:**

Baldwin Architects/Designers and Dealer Network have requested the ability to utilize Baldwin Estate Trims in light-duty commercial projects (guest rooms, condominium).

The Baldwin G6000/G6300 line of Mortise Locks will provide this capability. All existing Baldwin lever by lever entrance and sectional set locksets are adaptable. Door Preparation: For use with metal doors and frames to be prepared in accordance with ANSI A 115.11.

**Specification:**

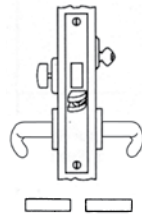
**Grade 1:** Meets/exceeds operational, security and cycle test requirements U/L: ANSI/UL 10B Listed 3 Hour Fire Rated – UL File No. R13846 Backsets: 2 1/2 and 2 3/4 inch standard Other Sizes Available Case: Heavy Gage Plated Steel Armor Front: Wrought Brass, Bronze or S/S. Adjustable Bevel Option Latch Bolt: 3/4" Throw. Brass – Anti-Friction Type Dead Bolt: 1" Throw. Brass – with Harden Steel Inserts Reversibility: Most functions are field reversible. Factory sets handing to order.

**Strikes:** Flat standard, curved and long lip strikes available.

**Other Specification:**

3.437 in lever hub to cylinder center spacing note: designed to be used with existing Baldwin Estate Trim 7.2mm spindle on the diamond for use with Estate Levers

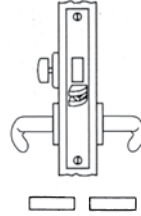
**G6010 & G6310**  
Dormitory Entrance or Storeroom



Latch bolt by handle either side. Deadbolt by key outside and thumbturn inside. Use of inside handle retracts latch and deadbolt simultaneously automatically unlocking outside handle.

FEDERAL SPECIFICATION EQUIVALENTS (FSE): ANSI Series: 1000-F21

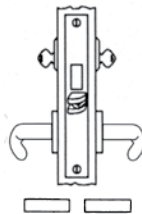
**G6055 & G6355**  
Privacy, Bedroom or Bathroom



Latch bolt by handle either side. Deadbolt by thumbturn inside and emergency key outside. Use of inside handle retracts latch and dead bolt simultaneously - automatically unlocking outside handle.

FSE: ANSI Series: 1000-F19

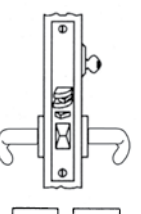
**G6090 & G6390**  
Storeroom



Latch bolt by handle inside and guest/master key outside. Outside handle always rigid. Deadbolt by thumbturn inside and service key only outside.

FSE: ANSI Series: 1000-F14

**G6060 & G6360**  
Classroom, Entrance or Office



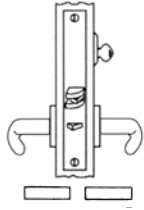
Latch bolt by key outside and handle either side unless outside handle is locked by key outside. Auxiliary latch deadlocks latch bolt.

FSE: ANSI Series: 1000-F04



# GRADE 1 COMMERCIAL LOCKS FOR SURFACE MOUNTED TRIMS

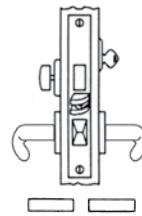
**G6065 & G6365**  
**Storeroom or Closet**



Latch bolt by handle inside and key outside. Outside handle always rigid. Auxiliary latch deadlocks latch bolt.

FSE: ANSI Series: 1000-F07

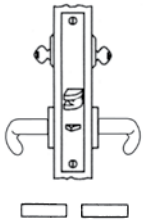
**G6075 & G6375**  
**Entrance or Apartment**



Latch bolt by key outside and handle either side unless outside handle is locked by toggle action stop. Deadbolt by key outside and thumbturn inside. Use of inside handle retracts latch and deadbolt. Outside handle remains locked.

FSE: ANSI Series: 1000-F12

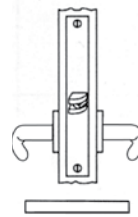
**G6085 & G6385**  
**Entrance or Public Restroom**



Latch bolt by handle either side unless outside handle is locked by master key from inside. When outside handle is locked, latch Bolt by key outside and handle inside. Auxiliary latch deadlocks latch bolt.

FSE: ANSI Series: 1000-F09

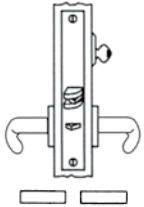
**G6110 & G6318**  
**Passage or Closet**



Latch bolt operated by handle either side at all times. Both handles always free.

FSE: ANSI Series: 1000-F01

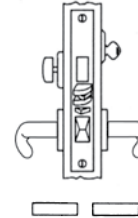
**G6130 & G6330**  
**Classroom**



Latch bolt by key outside and handle either side unless outside handle is locked by key outside. Auxiliary latch deadlocks latch bolt.

FSE: ANSI Series: 1000-F05

**G6377**  
**Entrance or Apartment**



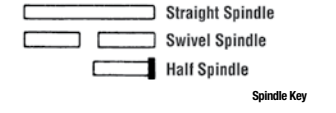
Latch bolt by key outside and handle either side unless outside handle is locked by toggle-action stop. Deadbolt by key outside and thumbturn inside. Use of inside handle retracts latch dead bolt simultaneously. Outside handle remains locked. Auxiliary latch dead locks latchbolt and prevents manipulation of locked toggle-action stop.

FSE: ANSI Series: 1000-F20

MORTISE  
 LOCKS

# INTERIOR MORTISE LOCKS, SMALL CASE

List of available handling options	
	Suffix*
Right hand	.R
Left hand	.L



Item #	Description	Backset	Wt.	030, 031, 033, 034, 040, 050, 060 102, 112, 150, 151 152, 190, 260, 264	003 055 056
8530.xxx.Suffix*	Interior Mortise Lock – Passage Knob x Knob	2.5"	1.2	\$160	\$180
8535.xxx.Suffix*	Interior Mortise Lock – Passage Lever x Lever	2.5"			
8540.xxx.Suffix*	Interior Mortise Lock – Privacy Knob x Knob	2.5"	1.5	160	180
8545.xxx.Suffix*	Interior Mortise Lock – Privacy Lever x Lever	2.5"			
8530.xxx.FSTR	T Strike for Small Case Mortise Locks			25	30

**NOTE: 8530.xxx, 8535.xxx, 8540.xxx & 8545.xxx include a 3.5" spindle & offers 40° opening.**  
 Mortise Locks NOT available in Distressed finishes, non-distressed equivalents 402=102, 412=112, 452=152  
 > Specify handing with suffix\*

**PRIVACY FUNCTION:** Latch bolt by knob either side. Deadbolt by turn piece inside and Emergency Key 0417 outside.

**STEEL CASE:** .625" x 3.375" x 3.75" (16 x 86 x 95mm)

**FRONT:** .156" x 1" x 5.75" (4 x 25 x 133mm). Adjustable for beveled conditions; finished to match.

**LATCH BOLT:** .5" x .625" (13 x 16mm) x .5" (13mm) throw. Furnished in US4 and 26D finishes to match trim.

**DEAD BOLT:** .5" x .75" (13 x 19mm) x .5" (13mm) throw. Furnished in US4 and 26D finishes to match trim.

**HUB SIZE:** .29" (7mm). Broached on the diamond.

**BACKSET:** 2.5" (64mm)

**SPACING:** Knob hub to turn piece: 2.25" (57mm)

**STRIKE:** Specially-designed curved lip strike is fully reversible (non-handed); available in 1.25" (32mm) Lip to Center dimension only.

**DUST BOX:** Box is furnished unattached; conceals installation marks and cutouts. (8530-000)

**PACKED:** One in a box with a strike, dust box, fasteners, and 3.5" spindle.

### INSTALLATION METHODS

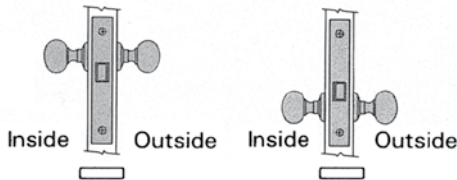
Locks are reversible, may be installed in either position

**ORDERING INSTRUCTIONS:** Locks are supplied as illustrated in left column.

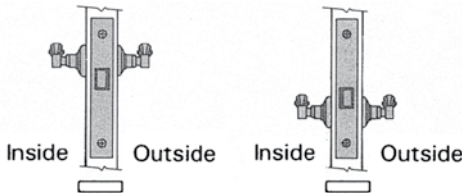
To install locks as illustrated in right column, specify the OPPOSITE HAND OF THE DOOR.

MORTISE LOCKS

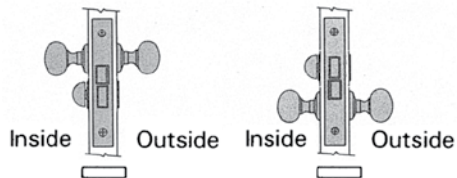
#### 8530.xxx



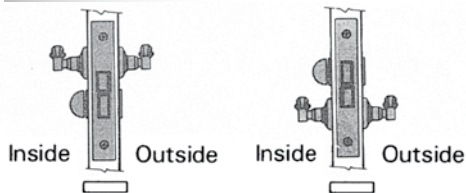
#### 8535.xxx



#### 8540.xxx

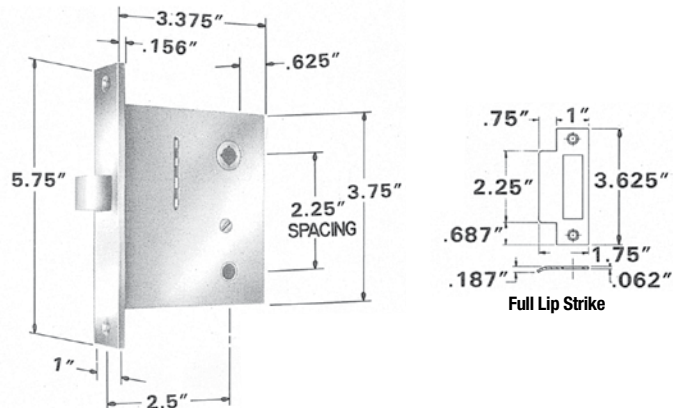


#### 8545.xxx



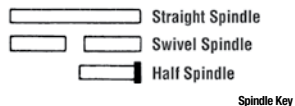
### SMALL CASE MORTISE LOCK

- > Quick and easy install on pre-prepared doors
- > Heavy gauge steel case, solid forged brass interior working parts
- > Completely reversible for all door conditions
- > Turn Pieces and Emergency Release Trim must be ordered separately (NOT included in price of lock)
- > Due to 2-1/4" spacing, not all Baldwin rosettes and ER trim will fit. To verify fit, add 1/2 height of rose & 1/2 height of ER trim, total cannot exceed 2.25".



# INTERIOR MORTISE LOCKS, HEAVY DUTY

List of available handling options								030, 031, 033, 034, 040, 050, 060 102, 112, 150, 151 152, 190, 260, 264	003 055 056
	Suffix*	Item #	Description	Backset	Wt.	Std.	Strike		
Right hand	.R	6010.xxx.Suffix*	Interior Mortise Lock – Entrance & Storeroom	Knob x Knob/Lever x Lever	2.75"	3.0	6040		
Left hand	.L	6055.xxx.Suffix*	Interior Mortise Lock – Privacy	Knob x Knob/Lever x Lever	2.75"	2.8	6040		
Right hand Reverse bevel	.RR	6060.xxx.Suffix*	Interior Mortise Lock – Corridor/Office	Knob x Knob/Lever x Lever	2.75"	2.8	6041		
Left hand Reverse bevel	.LR	6065.xxx.Suffix*	Interior Mortise Lock – Emergency/Utility Room	Knob x Knob/Lever x Lever	2.75"	2.8	6041		
Right hand Lever Strength	.RLS	6070.xxx.Suffix*	Interior Mortise Lock – Dormitory/Exit	Knob x Knob/Lever x Lever	2.75"	2.8	6040		
Left hand Lever Strength	.LLS	6100.xxx.Suffix*	Interior Mortise Lock – Bath/Bedroom	Knob x Knob/Lever x Lever	2.75"	2.8	6040		
Right hand Reverse bevel Lever Strength	.RRLS	6110.xxx.Suffix*	Interior Mortise Lock – Passage	Knob x Knob/Lever x Lever	2.75"	2.6	6041	\$305	\$325
Left hand Reverse bevel Lever Strength	.LRLS	6130.xxx.Suffix*	Interior Mortise Lock – Classroom	Knob x Knob/Lever x Lever	2.75"	2.8	6041		
Right hand Reverse bevel Lever Strength with 1" Front	.RRB1	6315.xxx.Suffix*	Interior Mortise Lock – Bath/Bedroom	Knob x Knob/Lever x Lever	2.5"	xx	6340		
Left hand Reverse bevel Lever Strength with 1" Front	.LRB1	6318.xxx.Suffix*	Interior Mortise Lock – Passage	Knob x Knob/Lever x Lever	2.5"	xx	6341		
		6845.xxx.Suffix*	Narrow Interior Mortise Lock – Bath/Bedroom	Lever x Lever	1.5"	xx	6340		
		6847.xxx.Suffix*	Narrow Interior Mortise Lock – Bath/Bedroom	Lever x Lever	2"	xx	6340		
		6855.xxx.Suffix*	Narrow Interior Mortise Lock – Passage	Lever x Lever	1.5"	xx	6341		
		6857.xxx.Suffix*	Narrow Interior Mortise Lock – Passage	Lever x Lever	2"	xx	6341		
All Mortise Locks shown above Minus Strike (.DT) – Order w/ strike separately through Baldwin Customer Service								\$275	\$290



**Mortise Locks NOT available in Distressed finishes, non-distressed equivalents 402=102, 412=112, 452=152**

2.75" backsets comes with the 1.25" front.

2.5" backsets comes with the 1.25" front. Non-standard 1" inch fronts are available for a 10% additional charge.

To order non-standard front, add a '1' at the end of the Item #. ie 6802.112.R1 (except Reverse Bevel, LRB1, RRB1 and cannot apply to 2.75" backsets) 1.5" and 2" backsets comes with the 1" front. Non-standard 1.25" fronts are available for a 10% additional charge.

To order non-standard front, add a '125' at the end of the Item #. ie 6802.112.R125 (except Reverse Bevel, LRB1, RRB1 and cannot apply to 2.75" backsets)

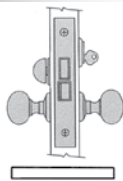
> Specify handing with Suffix\* after finish designation (Suffix chart above left)

> Baldwin mortise locks are reversible in the field if needed

**WARNING: DO NOT USE lever Strength mortise locks with knobs. They only turn one way and have a stiff turning action suitable for levers.**

> 6010, 6060, 6065, and 6070 mortise locks are not available in 030 finish.

**6010**  
Entrance And Storeroom

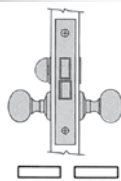


Latch bolt by knob either side. Deadbolt by key outside and turn piece inside. 1" (25mm) throw Deadbolt with saw-proof inserts is standard equipment. When extended, Deadbolt deadlocks latch bolt.

FEDERAL SPECIFICATION EQUIVALENTS  
(FSE): ANSI Series: 1000-F21

NOTE: for single and double cylinder applications

**6055**  
Privacy

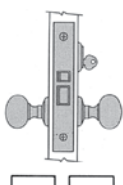


Latch bolt by knob either side. Deadbolt by turn piece inside and emergency key 0417 outside. Inside knob retracts latch and Deadbolt simultaneously, automatically unlocking outside knob.

1" (25mm) throw Deadbolt with saw-proof inserts is standard equipment. When extended, Deadbolt deadlocks latch bolt.

FSE: ANSI Series: 1000-F19

**6065**  
Emergency And Utility Room

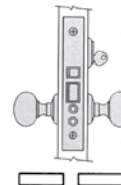


Auxiliary latch deadlocks latch bolt. "Suggested for use with electric strike. Caution should be used to ensure that the electric strike being used properly engages the latch mechanism while depressing the auxiliary latch. We recommend solid latch bolt with this lock when used with an electric strike.

FSE: ANSI Series: 1000-F07

NOTE: For handle set applications, refer to Function 6066.

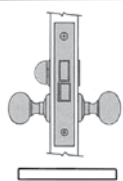
**6060**  
Corridor And Office



Latch bolt by knob from either side, except when outside knob is locked by stop in front, then by key outside and knob inside. Auxiliary latch deadlocks latch bolt.

FSE: ANSI Series: 1000-F04

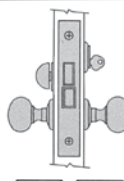
**6100, 6315 & 6845**  
Bathroom And Bedroom



Latch bolt by knob either side. Deadbolt by turn piece inside and emergency key 0417 outside. 1" (25mm) throw Deadbolt with saw-proof inserts is standard equipment. When extended, Deadbolt deadlocks latch bolt.

FSE: ANSI Series: 1000-F02

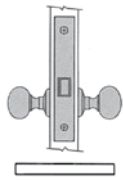
**6070**  
Dormitory And Exit



Latch bolt by knob either side. Deadbolt by key outside and turn piece inside. When Deadbolt is projected, latch bolt is deadlocked and outside knob is rigid. Inside knob retracts latch and Deadbolt simultaneously, automatically unlocking outside knob. 1" (25mm) throw Deadbolt with saw-proof inserts is standard equipment. When extended, Deadbolt deadlocks latch bolt.

FSE: ANSI Series: 1000-F13

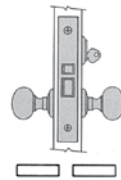
**6110, 6318, 6855, & 6857**  
Passage



Latch bolt by knob either side.

FSE: ANSI Series: 1000-F01

**6130**  
Classroom



Latch bolt by knob either side, except when outside knob is locked by key outside, then by key outside. Inside knob is always free. Auxiliary latch deadlocks latch bolt.

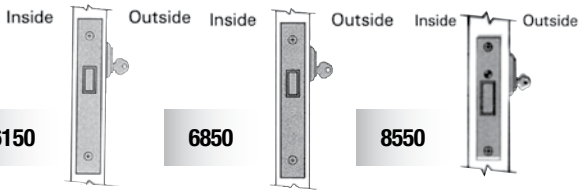
FSE: ANSI Series: 1000-F05

MORTISE LOCKS

# MORTISE DEADLOCKS

## Single Cylinder

**Function:** Dead bolt by cylinder key from either side  
**Included:** 8300 Cylinder Collar  
**Note:** 6150, 6850 & 8550 may be used in double cylinder applications



Item #	Description	Backset	Wt.		
6150.xxx	Single Cylinder	2.75"	2.0		
6160.xxx	Turn Piece/Cylinder	2.75"	2.3		
6860.xxx	Turn Piece/Cylinder	1.5"	2.3	\$275	\$295
6850.xxx	Single Cylinder	1.5"	2.0		
8550.xxx	Single Cylinder	2.5"			
8555.xxx	Double Cylinder	2.5"	1.0	175	195
8560.xxx	Turn Piece/Cylinder	2.5"			

Mortise Locks NOT available in Distressed finishes, non-distressed equivalents 402=102, 412=112, 452=152

### BACKSET:

<b>2.75"</b> – for doors 1.75" thick and over	<b>STEEL CASE:</b> .875" x 4" x 5.5" (22 x 102 x 140mm)
<b>2.5"</b> – for doors 1.375" thick and over, 1.375" doors REQUIRE 1" FRONT Adjustable for beveled conditions; finished to match.	<b>STEEL CASE:</b> .75" x 3.5" x 5.5" (19 x 89 x 140mm) <b>FRONT:</b> 0.156" x 1" x 5.75" (4 x 25 x 133mm)
<b>1.5"</b> (38mm) Narrow Backset – for doors 1.375" thick and over	<b>STEEL CASE:</b> 1.5" Backset: .75" x 1.5" x 5.5" (19 x 64 x 140mm) 2.0" Backset: .75" x 3" x 5.5" (19 x 76 x 140mm) <b>FRONT*:</b> 0.218" x 1" x 8" (6 x 25 x 203mm)

\*Optional 1.25" (32mm) front available

## Double Cylinder

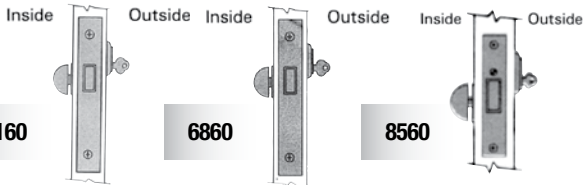
**Function:** Dead bolt by cylinder key from either side  
**Included:** 8300 Cylinder Collar, 2 each



MORTISE LOCKS

## Turn Piece/Cylinder

**Function:** Dead bolt by cylinder key outside and turn piece inside  
**Included:** 8300 Cylinder Collar & 6750 Turn Piece  
**Note:** Other turn pieces and cylinder trim are available



> Heavy gauge steel case with solid forged brass working parts  
 > Completely reversible for all door conditions

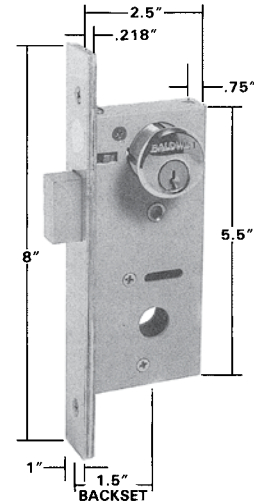
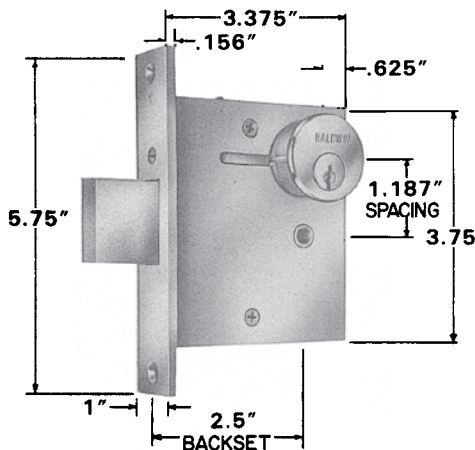
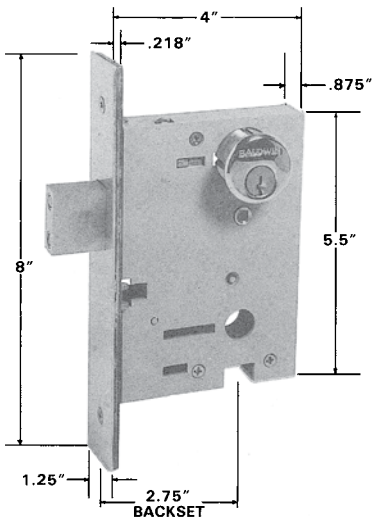
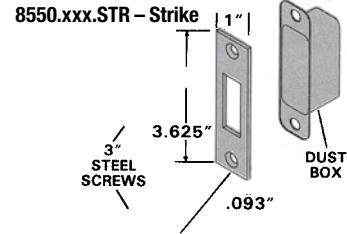
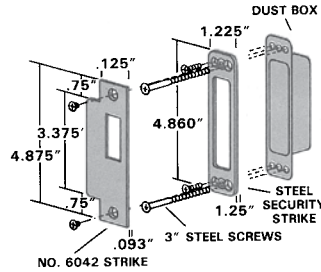
**DEADBOLT:** .5" x 1.25" (13 x 32mm) x 1" (25mm) throw with two saw-proof inserts.

**STRIKE:** Heavy gauge brass finished to match.

Furnished with two 3" steel screws and a dust box standard (8530.000).

**CYLINDER:** Standard mortise type not included – must be purchased separately.

**PACKED:** One in a box. 8300 Cylinder Collar, 8530.000 Dust Box, and fasteners.

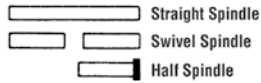


BALDWIN

030, 031, 033  
034, 040, 050  
060, 102, 112 003  
150, 151, 152 055  
190, 260, 264 056

## List of available handling options

	Suffix*
Right hand	.R
Left hand	.L
Right hand Reverse bevel	.RR
Left hand Reverse bevel	.LR
Right hand Lever Strength	.RLS
Left hand Lever Strength	.LLS
Right hand Reverse bevel Lever Strength	.RRLS
Left hand Reverse bevel Lever Strength	.LRLS



Spindle Key

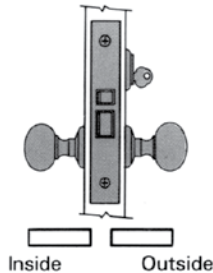
Item #	Description	Knob x Knob/Lever x Lever	Backset	Wt.	Std. Strike			
6051.xxx.Suffix*	Fail Safe (power off unlocks outside knob)	Knob x Knob/Lever x Lever	2.75"	3.0	6041			
6053.xxx.Suffix*	Fail Secure (power off locks outside knob)	Knob x Knob/Lever x Lever	2.75"	3.0	6041	\$795	\$815	
All Mortise Locks shown above Minus Strike (DT) – Order w/ strike separately through Baldwin Customer Service						770	790	

### Mortise Locks NOT available in Distressed finishes, non-distressed equivalents 402=102, 412=112, 452=152

- > Specify handing with Suffix\* after finish designation (Suffix chart above left)
- > Baldwin mortise locks are reversible in the field if needed

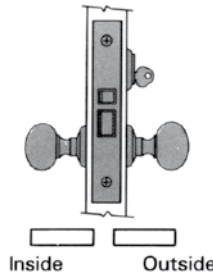
**WARNING:** DO NOT USE lever Strength mortise locks with knobs. They only turn one way and have a stiff turning action suitable for levers.

## 6051 – Fail Safe



- > Latch bolt by knob either side except when outside knob is locked by energizing solenoid.
- > Key outside retracts latch bolt when solenoid is energized.
- > Inside knob is always FREE.
- > Auxiliary Latch deadlocks latch bolt.
- > IMPORTANT: POWER OFF UNLOCKS OUTSIDE KNOB.

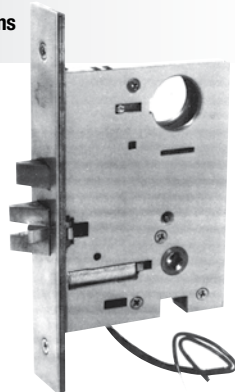
## 6053 – Fail Secure



- > Latch bolt by knob either side ONLY when solenoid is energized.
- > Latch bolt retracted by key outside and knob inside when solenoid is NOT energized.
- > Inside knob is always FREE.
- > Auxiliary Latch deadlocks latch bolt.
- > IMPORTANT: POWER OFF LOCKS OUTSIDE KNOB.

MORTISE  
LOCKS

## Mortise Electrical Specifications



**RATED VOLTAGE:** 24V AC/24V DC – AC/DC Converter is built inside.

**OPERATING VOLTAGE RANGE:** 22-26V AC/V DC

**TEST VOLTAGE:** 18V AC/V DC

**RATED CURRENT:** 0.35 Amperes (0.4 Amperes Maximum)

**DUTY:** Continuous

**SOLENOID LEAD WIRE LENGTH:** 6" (153mm)

**IMPORTANT FEATURE:** To facilitate installation, Solenoid is constructed inside the lock case.

### IMPORTANT NOTES:

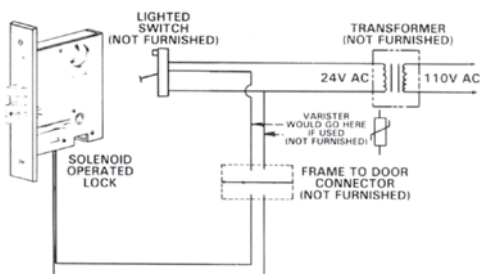
- Each electrified lock should have its own 24 volt transformer. Two or more locks may be operated in PARALLEL from a single transformer with the proper current rating. DO NOT connect locks in a series from a higher rated transformer.
- We DO NOT recommend wiring electrified locks to a circuit containing electromagnetic devices as transient voltage can cause damage to the lock. Transient voltage must be suppressed at its source before connecting locks to the circuit.
- A Varistor at 35 volts (peak-recurrent) may be used for transient voltage protection. 1-hole for latch bolt – Electric strike not available - must order 3rd party

**APPLICATIONS:** Electrically-controlled locking devices are designed for specific security and fire safety installations including:

Security Controlled Entrances	Stairwell Doors
Apartment Buildings	Computer Rooms
Remote-controlled Security Doors	Hospital/Narcotic Areas
Fire Safety Alarms	Cashier Rooms

**CONTROLLING/REGULATING DEVICES:** Electrified locks can be locked or unlocked by the following means:

Toggle (Wall) Switch	Computerized Controls
Master Control Consoles	Access Card Readers
Automatic Time Devices	Smoke/Fire Alarms
Security Alarms	Thermo-Sensitive Devices





# MORTISE LOCKS

## ENTRANCE MORTISE STRIKES

### Specifications for all Entrance Strikes

**THICKNESS:** .093" (2.3mm), brass material.

**TEMPLATE:** Designed to fit metal/wood frames prepared in accordance to ANSI A115.1/A115.11.

**CURVED LIP:** Available with a curved lip. Supplied standard with all locks incorporating a solid-type latch bolt. ALWAYS SPECIFY

**SCREWS:** Furnished with 12 combination wood/machine screws, finished to match.

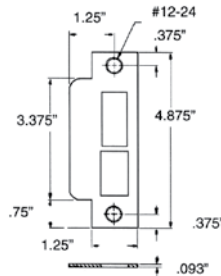
**FEATURES:** Furnished flat with rounded lip edges for universal use with left and right handed locks.

**HAND OF DOOR.** Example: 6340.XXX.R. Please see ordering instructions in this section.

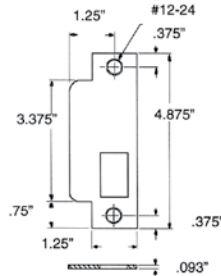
### ASA Strikes - Straight & Curved Lip

Residential Entrance, Emergency Egress

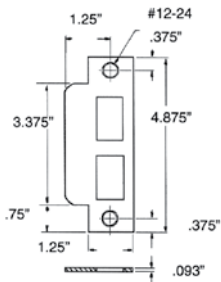
6040, 6340



6041, 6341



6043



### ASA Strikes - Straight Lip - 1.25" Lip-to-Center

Item #	Function	031, 033, 034, 040, 050, 060, 102, 112, 150, 151, 152, 190, 260, 264	003, 055, 056
6040.xxx	2.75" backset latch, deadbolt		
6041.xxx	2.75" backset latch only		
6043.xxx	2.75" backset latch, deadbolt, aux latch	\$30	\$35
6340.xxx	1.5," 2," 2.5" backset latch, deadbolt		
6341.xxx	1.5," 2," 2.5" backset latch only		

### ASA Strikes - Curved Lip - 1.25" Lip-to-Center

Item #	Function	031, 033, 034, 040, 050, 060, 102, 112, 150, 151, 152, 190, 260, 264	003, 055, 056
6040.xxx.R (L)	2.75" backset latch, deadbolt		
6041.xxx.R (L)	2.75" backset latch only		
6043.xxx.R (L)	2.75" backset latch, deadbolt, aux latch	\$30	\$35
6340.xxx.R (L)	1.5," 2," 2.5" backset latch, deadbolt		
6341.xxx.R (L)	1.5," 2," 2.5" backset latch only		

Curved lip strikes are handed - order same hand as door (R or L)

### 6040.xxx, 6340.xxx - LATCH/DEADBOLT FUNCTION

- > Supplied standard with all locks
- > Anti-friction latch bolt
- 6040 - Use with locks incorporating a .625" (16mm) wide latch bolt (6000 Series)
- 6340 - Use with locks incorporating a .5" (13mm) wide latch bolt. (6300 Series and 6800 Series locks)

### 6041.xxx, 6341.xxx - LATCH BOLT FUNCTION

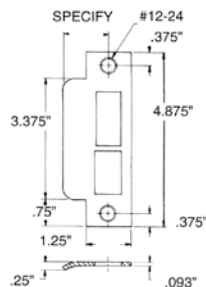
- 6041 - Use with locks incorporating .625" (16mm) wide latch bolt (6000 Series)
- 6341 - Use with locks incorporating .5" (13mm) wide latch bolt. (6300 Series and 6800 Series locks)

### 6043.xxx - LATCH/AUXILIARY LATCH/DEADBOLT FUNCTION

- Use with lock functions incorporating a latch, auxiliary latch, and deadbolt
- Available for 6000 Series locks only

### ASA Strikes - Extended Lip

6037, 6038, 6039, 6338, 6339



Item #	Function	031, 033, 034, 040, 050, 060, 102, 112, 150, 151, 152, 190, 260, 264	003, 055, 056
6037.xxx.XXXX	2.75" backset latch, deadbolt, aux latch		
6038.xxx.XXXX	2.75" backset latch only		
6039.xxx.XXXX	2.75" backset latch, deadbolt	\$65	\$70
6338.xxx.XXXX	1.5," 2," 2.5" backset latch only		
6339.xxx.XXXX	1.5," 2," 2.5" backset latch, deadbolt		

.XXXX indicates Extended Lip to Center size = .R158, .L158, .R178, .L178, .R214, .L214, .R300, .L300

### 6037, 6038, 6039, 6338, 6339.xxx - EXTENDED LIP STRIKES (HANDED)

- > Use with locks installed on special door/frame conditions
- > Supplied with a curved lip only
- > ALWAYS SPECIFY HAND OF DOOR AND REQUIRED LENGTH
- > Note: Reverse bevel doors use opposite hand for strike selection (ie. Right hand reverse bevel use left hand strike.)
- > Lip to Center lengths:
  - .R158 or .L158 - 1.625" (41mm)
  - .R178 or .L178 - 1.875" (48mm)
  - .R214 or .L214 - 2.25" (57mm)
  - .R300 or .L300 - 3" (76mm)

### Lip to Center length determined by the following formula:

Door thickness ÷ 2 + .375" (10mm) = Lip to Center length  
Round to closest size

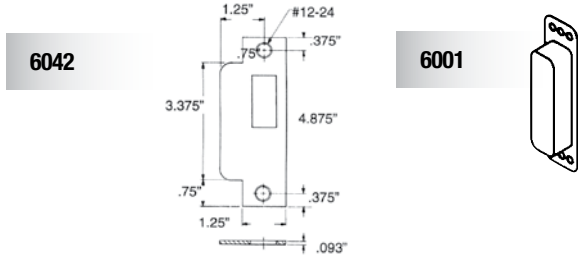
\*Strikes NOT available in Distressed finishes, non-distressed equivalents  
402=102, 412=112, 452=152

BALDWIN



# STRIKES & ARMORED FRONTS

## Deadlock Strike & Dust Box



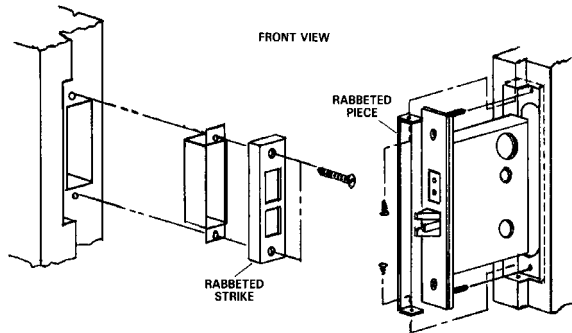
### Deadlock Strike

Item #	Function	031, 033, 034, 040, 050 060, 102, 112 150, 151, 152 190, 260, 264	003 055 056
6042.xxx	Deadlock function strike for 6000 & 6800 only	\$30	\$35
>Use with lock functions incorporating a deadlock >Available for 6000 Series and 6800 Series locks only			

### DUST BOX

Item #	Description		
6001.000	Dust Box (included with all Mortise Locks)	\$5	
>Designed to conceal installation cut-outs and marks behind strikes. Box measures 1" (25mm) deep for use with all lock functions and strikes. >Furnished standard with all mortise locks illustrated within this section.			

## Rabbeted Door Strike



Item #	Function	031, 033, 034, 040, 050 060, 102, 112 150, 151, 152 190, 260, 264	003 055 056
6897.xxx	1.5", 2", 2.5" backset, RABBETED strike	\$105	\$110

Used with all 1.5" (38mm), 2" (51mm), 2.5" (64mm) backset locks (6300, 6800 Series)

**FEATURES:** Rabbeted strikes and pieces are used on pairs of doors that have a meeting rail which is rabbeted or on single doors that have a rabbeted frame. The strike is designed to fit in a .5" (13mm) rabbet; a separate rabbeted piece conforms to the face of the lock. This rabbeted assembly is available for locks with 1.25" (32mm) wide fronts only.

**SIZES:** Strike 1" x 5" (25 x 127mm) (Non-Handed); Rabbeted Piece: .5" x 8" (13 x 203mm)

**IMPORTANT NOTES:**

1. RABBETED STRIKE AND PIECE ARE ONLY AVAILABLE FOR 1.75" (44mm) DOORS.
2. When a rabbeted strike is ordered in conjunction with a keyed function lock, a steel security strike is NOT supplied.

**PACKED:** One complete set in a box with appropriate fasteners.

**ORDERING INSTRUCTIONS:** 6897 — Used with all 1.5" (38mm), 2" (51mm), 2.5" (64mm) backset locks (6300, 6800 Series). All locks which are furnished standard with a 1" (25mm) wide front must be ordered with a 1.25" (32mm) wide front.

**NOT AVAILABLE for 2.75" backset locks**

## Armored Fronts

Series	Front Width	Latch Bolt Width	Item #	Function
6000 Series	1.25"	>For use on 6000 Series Locks (2.75" backset only) >1.25" (32mm) wide front and .625" (16mm) wide latch bolt	6010.xxx.0004	Latch/Deadbolt
			6021.xxx.0004	Latch/Deadbolt/Stops
			6060.xxx.0004	Latch/Auxiliary Latch/Stops
			6065.xxx.0004	Latch/Auxiliary Latch
			6080.xxx.0004	Latch/Auxiliary Latch/Deadbolt/Stops
			6091.xxx.0004	Latch/Auxiliary Latch/Deadbolt
			6150.xxx.0004	Deadbolt
6300 Series	1.25"	>For use on 6300 Series Locks (2.5" backset only) >1.25" (32mm) wide front and .5" (13mm) wide latch bolt	6301.xxx.0004	Latch/Deadbolt/Stops
			6310.xxx.0004	Latch/Deadbolt
			6318.xxx.0004	Latch
			6301.xxx.0084	Latch/Deadbolt/Stops
			6310.xxx.0084	Latch/Deadbolt
			6318.xxx.0084	Latch
6800 Series	1.25"	>For use on 6800-6802 Series Locks (1.5" and 2" backset) >1.25" (32mm) wide front and .5" (13mm) wide latch bolt	6150.xxx.0004	Deadbolt
			6800.xxx.0004	Latch/Deadbolt/Stops
			6810.xxx.0004	Latch/Dead Bolt
			6855.xxx.0004	Latch
			6150.xxx.0084	Deadbolt
			6800.xxx.0084	Latch/Deadbolt/Stops

### Armored Fronts

Removable armored fronts protect the lock against tampering of the cylinder yoke assembly. Available in all matching finishes of mortise locks.

**ORDERING INSTRUCTIONS:** Specify part number indicated below and finish required.

### 1.25" Armored Fronts – standard for 2.5" & 2.75" backset mortise locks

Item #	Function	031, 033, 034, 040, 050 060, 102, 112 150, 151, 152 190, 260, 264	003 055 056
6010.xxx.0004	Latch/Deadbolt	\$30	\$35
6021.xxx.0004	Latch/Deadbolt/Stops		
6060.xxx.0004	Latch/Auxiliary Latch/Stops		
6065.xxx.0004	Latch/Auxiliary Latch		
6080.xxx.0004	Latch/Auxiliary Latch/Deadbolt/Stops		
6091.xxx.0004	Latch/Auxiliary Latch/Deadbolt		
6110.xxx.0004	Latch		
6150.xxx.0004	Deadbolt		
6301.xxx.0004	Latch/Deadbolt/Stops		
6310.xxx.0004	Latch/Deadbolt		
6318.xxx.0004	Latch		
6800.xxx.0004	Latch/Deadbolt/Stops		
6810.xxx.0004	Latch/Deadbolt		
6855.xxx.0004	Latch		

### 1" Armored Fronts – standard for 1.5" & 2" backset mortise locks

Item #	Function	\$30	\$35
6301.xxx.0084	Latch/Deadbolt/Stops	\$30	\$35
6310.xxx.0084	Latch/Deadbolt		
6318.xxx.0084	Latch		
6150.xxx.0084	Deadbolt		
6800.xxx.0084	Latch/Deadbolt/Stops		
6810.xxx.0084	Latch/Deadbolt		
6855.xxx.0084	Latch		

MORTISE LOCKS

# CYLINDERS LOCK TRIM THICKNESS INDEX

MORTISE  
LOCKS

## A - .0625" (1.5mm)

6755 - Cylinder Collar

## B - .0937" (2.4mm)

6511 - Escutcheon 6797 - Escutcheon  
6540 - San Diego 6931 - Dallas  
6543 - Lancaster 6940 - Denver  
6555 - Boston  
6557 - Richmond  
6563 - Chicago  
6565 - Monterey  
6642 - Escutcheon  
6763 - Escutcheon  
6774 - Escutcheon

## C - .125" (3mm)

6541 - San Francisco 6922 - Lakewood 6980 - Escutcheon  
6547 - Nashville 6933 - Versailles 6986 - Escutcheon  
6768 - Cylinder Collar 6938 - Mobile 6993 - Escutcheon  
6793 - Escutcheon 6942 - Bismark 6996 - Escutcheon  
6975 - Escutcheon

## D - .1875" (5mm)

6508 - Escutcheon 6567 - Trenton 6948 - Victoria  
6551 - Reading 6765 - Escutcheon 8300 - Cylinder Collar (1/8" Adj.)  
6552 - Baltimore 6767 - Escutcheon

## E - .25" (6mm)

6503 - Escutcheon 6571 - Concord  
6504 - Escutcheon 6737 - Cylinder Collar  
6548 - Detroit 6794 - Escutcheon  
6554 - Barclay 6939 - Bristol Lever Set  
6562 - New York 6991 - Escutcheon  
8300 - Cylinder Collar (1/16" Adj.)

## F - .3125" (8mm)

6546 - Wilmington 6754 - Cylinder Collar 6961 - Westminster  
6549 - Williamsburg (Sgl Cyl) 6757 - Cylinder Collar 8300 - Cylinder Collar (No Adj.)  
6550 - Georgetown (Sgl Cyl) 6790 - Escutcheon  
6560 - Lexington 6795 - Escutcheon  
6573 - Springfield 6798 - Escutcheon  
6950 - Kensington

## G - .375" (10mm)

6570 - Atlanta 6944 - Pasadena 6966 - Lakeshore Handleset  
6915 - Santa Monica 6738, 6739, 6743 6974 - Lakeshore Entrance Set  
6963 - Bristol Handle Set 6976 - Minneapolis

## H - .435" (11mm)

6952 - Edinburgh 6973 - Houston Entrance Set  
6962 - Fenwick 6999 - Richland

## H1 - .53" (12mm)

M502 - Cody 3/4 escutcheon 6920 - Palm Springs 3/4 escutcheon  
M504 - Cody full escutcheon 6921 - Palm Spring full escutcheon  
M512 - Boulder 3/4 escutcheon  
M514 - Boulder full escutcheon  
M516 - Soho 3/4 escutcheon  
M522 - Bethpage

## I - .5625" (14mm)

6515 - Oval Edinburgh (Mortise) 6516 - Oval Edinburgh (Mortise)  
6520 - Bristol (Mortise) 6526 - Kensington (Mortise)

## J - .75" (18mm)

6542 - Tremont 6791 - Escutcheon  
6544 - Hamilton 6951 - Stanford

## K - .875" (22mm)

6505 - Box Escutcheon (Dbl. Cyl. Only) 6549 - Williamsburg (Dbl. Cyl. Only) 6550 - Georgetown (Dbl. Cyl. Only)

6503 - Escutcheon	.25"	E	6767 - Escutcheon	.1875"	D
6504 - Escutcheon	.25"	E	6768 - Cylinder Collar	.125"	C
6505 - Box Escutcheon	.875"	K	6774 - Escutcheon	.09"	B
6508 - Escutcheon	.1875"	D	6790 - Escutcheon	.3125"	F
6511 - Escutcheon	.09"	B	6791 - Escutcheon	.75"	J
6513 - Escutcheon	.375"	G	6793 - Escutcheon	.125"	C
6515 - Oval Edinburgh (Mort)	.5625"	I	6794 - Escutcheon	.25"	E
6516 - Oval Edinburgh (Mort)	.5625"	I	6795 - Escutcheon	.3125"	F
6520 - Bristol (Mort)	.5625"	I	6797 - Escutcheon	.09"	B
6526 - Kensington (Mort)	.5625"	I	6798 - Escutcheon	.3125"	F
6540 - San Diego	.09"	B	6920 - Palm Springs	.57"	H1
6541 - San Francisco	.125"	C	6921 - Palm Springs	.57"	H1
6542 - Tremont	.75"	J	6922 - Lakewood	.125"	C
6543 - Lancaster	.09"	B	6931 - Dallas	.09"	B
6544 - Hamilton	.75"	J	6933 - Versailles	.125"	C
6546 - Wilmington	.3125"	F	6938 - Mobile	.125"	C
6547 - Nashville	.125"	C	6939 - Bristol Lever Set	.25"	E
6548 - Detroit	.25"	E	6940 - Denver	.09"	B
6549 - Williamsburg	.3125"	F	6942 - Bismark	.125"	C
6549 - Williamsburg	.875"	K	6944 - Pasadena	.435"	G
6513 - Escutcheon	.375"	G	6948 - Victoria	.1875"	D
6550 - Georgetown	.3125"	F	6950 - Kensington	.3125"	F
6550 - Georgetown	.875"	K	6951 - Stanford	.75"	J
6551 - Reading	.1875"	D	6952 - Edinburgh	.435"	H
6552 - Baltimore	.1875"	D	6961 - Westminster	.3125"	F
6554 - Barclay	.25"	E	6962 - Fenwick	.435"	H
6555 - Boston	.09"	B	6963 - Bristol Handle Set	.375"	G
6557 - Richmond	.09"	B	6966 - Lakeshore Handleset	.375"	G
6560 - Lexington	.3125"	F	6973 - Houston Entrance Set	.435"	H
6562 - New York	.25"	E	6974 - Lakeshore Entrance	.375"	G
6563 - Chicago	.09"	B	6975 - Escutcheon	.125"	C
6565 - Monterey	.09"	B	6976 - Minneapolis	.375"	G
6567 - Trenton	.1875"	D	6980 - Escutcheon	.125"	C
6570 - Atlanta	.375"	G	6986 - Escutcheon	.125"	C
6571 - Concord	.25"	E	6988 - Escutcheon	.09"	B
6573 - Springfield	.3125"	F	6991 - Escutcheon	.25"	E
6641 - Pasadena	.375"	G	6993 - Escutcheon	.125"	C
6642 - Escutcheon	.09"	B	6996 - Escutcheon	.125"	C
6737 - Cylinder Collar	.25"	E	6999 - Richland	.435"	H
6738 - Cylinder Collar	.375"	G	8300 - Cylinder Collar	.1875"	D
6739 - Cylinder Collar	.375"	G	8300 - Cylinder Collar	.25"	E
6743 - Cylinder Collar	.375"	G	8300 - Cylinder Collar	.3125"	F
6754 - Cylinder Collar	.3125"	F	M502 - Cody 3/4 escutcheon	.54"	H1
6755 - Cylinder Collar	.625"	A	M504 - Cody full escutcheon	.54"	H1
6757 - Cylinder Collar	.3125"	F	M512 - Boulder 3/4 escutcheon	.54"	H1
6763 - Escutcheon	.09"	B	M514 - Boulder full escutcheon	.54"	H1
6765 - Escutcheon	.1875"	D	M516 - Soho 3/4 escutcheon	.54"	H1
			M522 - Bethpage	.54"	H1

### DECIMAL FRACTION CHART

FRACTION	DECIMAL
1/16"	.0625"
1/8"	.125"
3/16"	.1875"
1/4"	.25"
5/16"	.3125"
3/8"	.375"
7/16"	.4375"
1/2"	.5"
9/16"	.5625"
5/8"	.625"
11/16"	.6875"
3/4"	.75"
13/16"	.8125"
7/8"	.875"

\*Cylinders NOT available in Distressed finishes,  
non-distressed equivalents: 402=102, 412=112, 452=152

BALDWIN

# CYLINDERS C KEYWAY TABLE

## Single Cylinder - C Keyway

Door Thickness	1.375"		1.75"		2"		2.25"		2.5"	
Lock Trim Thickness	Cylinder Length	Blocking Ring	Cylinder Length	Blocking Ring	Cylinder Length	Blocking Ring	Cylinder Length	Blocking Ring	Cylinder Length	Blocking Ring
A - .0625"	1" 8321.xxx	.1875" 8440.xxx.5	1" 8321.xxx	—	1.125" 8322.xxx	—	1.25" 8323.xxx	—	1.375" 8324.xxx	—
B - .0937"	1" 8321.xxx	.1562" 8440.xxx.4	1" 8321.xxx	—	1.125" 8322.xxx	—	1.25" 8323.xxx	—	1.375" 8324.xxx	—
C - .125"	1" 8321.xxx	.125" 8440.xxx.3	1.125" 8322.xxx	—	1.125" 8322.xxx	—	1.25" 8323.xxx	—	1.375" 8324.xxx	—
D - .1875"	1" 8321.xxx	—	1.125" 8322.xxx	—	1.25" 8323.xxx	—	1.375" 8324.xxx	—	1.5" 8325.xxx	—
E - .25"	1" 8321.xxx	—	1.25" 8323.xxx	—	1.25" 8323.xxx	—	1.375" 8324.xxx	—	1.5" 8325.xxx	—
F - .3125"	1.125" 8322.xxx	—	1.25" 8323.xxx	—	1.375" 8324.xxx	—	1.5" 8325.xxx	—	1.625" 8326.xxx	—
G - .375"	1.125" 8322.xxx	—	1.25" 8323.xxx	—	1.375" 8324.xxx	—	1.5" 8325.xxx	—	1.625" 8326.xxx	—
H - .435"	1.125" 8322.xxx	—	1.375" 8324.xxx	—	1.5" 8325.xxx	—	1.625" 8326.xxx	—	1.75" 8327.xxx	—
H1 - .53"	1.125" 8322.xxx	—	1.5" 8325.xxx	—	1.625" 8326.xxx	—	1.75" 8327.xxx	—	1.75" 8327.xxx	—
I - .56"	1.125" 8322.xxx	—	1.5" 8325.xxx	—	1.625" 8326.xxx	—	1.75" 8327.xxx	—	1.75" 8327.xxx	—
J - .75"	1.5" 8325.xxx	—	1.625" 8326.xxx	—	1.75" 8327.xxx	—	2" 8328.xxx	.125" 8440.xxx.3	2" 8328.xxx	—

Item #	Description	031, 033, 040, 050, 060, 102, 112, 150, 151, 152, 190, 260, 264	003, 055, 056
8321.xxx	1" Mortise Cyl.		
8322.xxx	1.125" Mortise Cyl.		
8323.xxx	1.25" Mortise Cyl.	\$50	\$55
8324.xxx	1.375" Mortise Cyl.		
8325.xxx	1.5" Mortise Cyl.		
8326.xxx	1.625" Mortise Cyl.		
8327.xxx	1.75" Mortise Cyl.		
8328.xxx	2" Mortise Cyl.	\$110	115
8329.xxx	2.25" Mortise Cyl.		
8330.xxx	2.5" Mortise Cyl.		

### NOTE:

**Hotel function cylinders:** add "H" to end. \$25 list Adder.  
When ordering cylinders for **G-SERIES MORTISE LOCKS**, use this chart, but add a suffix ".EMHT" to the end of the Item #. (same price as standard C keyway cylinders)

### EXAMPLE:

Lifetime Polished Brass 1.25" cylinder for G-series mortise  
8323.003.EMHT

8321-8330



MORTISE  
LOCKS

## Double Cylinder - C Keyway

Door Thickness	1.375"		1.75"		2"		2.25"		2.5"	
Lock Trim Thickness	Cylinder Length	Blocking Ring	Cylinder Length	Blocking Ring	Cylinder Length	Blocking Ring	Cylinder Length	Blocking Ring	Cylinder Length	Blocking Ring
A - .0625"	1" 8321.xxx.DBL	.2812"+ 8440.xxx.7	1" 8321.xxx.DBL	.0937"+ 8440.xxx.2	1" 8321.xxx.DBL	—	1.125" 8322.xxx.DBL	—	1.25" 8323.xxx.DBL	—
B - .0937"	1" 8321.xxx.DBL	.25"+ 8440.xxx.6	1" 8321.xxx.DBL	.125" 8440.xxx.3	1" 8321.xxx.DBL	—	1.125" 8322.xxx.DBL	—	1.25" 8323.xxx.DBL	—
C - .125"	1" 8321.xxx.DBL	.25"+ 8440.xxx.6	1" 8321.xxx.DBL	.0625" 8440.xxx.1	1.125" 8322.xxx.DBL	.0625" 8440.xxx.1	1.25" 8323.xxx.DBL	.0625" 8440.xxx.1	1.375" 8324.xxx.DBL	.0625" 8440.xxx.1
D - .1875"	1" 8321.xxx.DBL	.1562"+ 8440.xxx.4	1.125" 8322.xxx.DBL	.0937"+ 8440.xxx.2	1.125" 8322.xxx.DBL	—	1.25" 8323.xxx.DBL	—	1.375" 8324.xxx.DBL	—
E - .25"	1" 8321.xxx.DBL	.0937"+ 8440.xxx.2	1.125" 8322.xxx.DBL	.0625" 8440.xxx.1	1.25" 8323.xxx.DBL	.0625" 8440.xxx.1	1.375" 8324.xxx.DBL	.0625" 8440.xxx.1	1.5" 8325.xxx.DBL	.0625" 8440.xxx.1
F - .3125"	1" 8321.xxx.DBL	.0625" 8440.xxx.1	1.25" 8323.xxx.DBL	.0937"+ 8440.xxx.2	1.25" 8323.xxx.DBL	—	1.375" 8324.xxx.DBL	—	1.5" 8325.xxx.DBL	—
G - .375"	1" 8321.xxx.DBL	—	1.25" 8323.xxx.DBL	.0625" 8440.xxx.1	1.375" 8324.xxx.DBL	.0625" 8440.xxx.1	1.5" 8325.xxx.DBL	.0625" 8440.xxx.1	1.625" 8326.xxx.DBL	.0625" 8440.xxx.1
H - .435"	1" 8321.xxx.DBL	—	1.25" 8323.xxx.DBL	—	1.375" 8324.xxx.DBL	—	1.5" 8325.xxx.DBL	—	1.625" 8326.xxx.DBL	—
I - .5625"	1.125" 8322.xxx.DBL	—	1.375" 8324.xxx.DBL	—	1.5" 8325.xxx.DBL	—	1.625" 8326.xxx.DBL	—	1.75" 8327.xxx.DBL	—
J - .75"	1.5" 8325.xxx.DBL	.0937"+ 8440.xxx.2	1.625" 8326.xxx.DBL	.0625" 8440.xxx.1	1.75" 8327.xxx.DBL	.0625" 8440.xxx.1	2" 8328.xxx.DBL	.1562"+ 8440.xxx.4	2" 8328.xxx.DBL	.0625" 8440.xxx.1
F - .3125" Exterior	1" 8321.xxx	—	1.125" 8322.xxx	—	1.25" 8323.xxx	—	1.375" 8324.xxx	—	1.5" 8325.xxx	—
K - .875" Exterior	1.5" 8325.xxx	—	1.75" 8327.xxx	—	2" 8328.xxx	.125" 8440.xxx.3	2" 8328.xxx	—	2.25" 8329.xxx	.125" 440.xxx.3

Item #	Description	031, 033, 040, 050, 060, 102, 112, 150, 151, 152, 190, 260, 264	003, 055, 056
8321.xxx.DBL	1" Double Cyl.		
8322.xxx.DBL	1.125" Double Cyl.		
8323.xxx.DBL	1.25" Double Cyl.	\$100	\$110
8324.xxx.DBL	1.375" Double Cyl.		
8325.xxx.DBL	1.5" Double Cyl.		
8326.xxx.DBL	1.625" Mortise Cyl.		
8327.xxx.DBL	1.75" Mortise Cyl.		
8328.xxx.DBL	2" Mortise Cyl.	220	230
8329.xxx.DBL	2.25" Mortise Cyl.		
8330.xxx.DBL	2.5" Mortise Cyl.		

### Blocking Rings

Item #	Description	031, 033, 040, 050, 060, 102, 112, 150, 151, 152, 190, 260, 264	003, 055, 056
8440.xxx.001	.0625" - 1/16" B.R.		
8440.xxx.002	.0937" - 3/32" B.R.		
8440.xxx.003	.125" - 1/8" B.R.		
8440.xxx.004	.1562" - 5/32" B.R.	\$15	\$20
8440.xxx.005	.1875" - 3/16" B.R.		
8440.xxx.006	.25" - 1/4" B.R.		
8440.xxx.007	.2812" - 9/32" B.R.		

8440

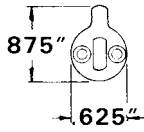


+ Two Blocking Rings Required

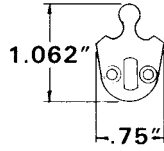
# CYLINDERS ACCESSORIES

## Cams for Mortise Cylinders

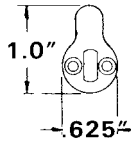
Adams Rite Cam



Emhart Cam



Standard Cam



Rim Cylinder Tailpiece



Item #	Description	Finish	Price
8300.009.0065	5-pin Cylinder Spring Covers	009	
8300.009.0066	6-pin Cylinder Spring Covers	009	\$27
8300.109.005	Cylinder Springs	109	
8300.509.AR	Adams Rite Cam	009	
8300.509.EMHT	Emhart Cam	009	
8300.509.STD	Standard Cam	009	7
8313.329.TPH1	Rim Cylinder Tailpiece – 2.2188" (56mm)	—	
8313.329.TPH2	Rim Cylinder Tailpiece – 3.1875" (81mm)	—	

### ADAMS RITE CAM

Thickness: .0625" (2mm)  
For Adams Rite Series 1800, 4093, 4500.

### EMHART CAM

Thickness: .0625" (2mm)  
For use with Emhart Mortise type locks.

### STANDARD CAM

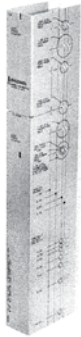
Thickness: .0625" (2mm)  
For use with most manufacturers of Mortise type locks.

### Tailpiece Bars For Rim Cylinders

Horizontal  
8313.329.TPH1 – 2.2188" (56mm)  
8313.329.TPH2 – 3.1875" (81mm)

MORTISE  
LOCKS

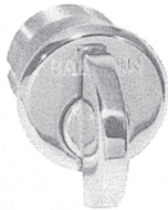
## Residential Trim Marking Template



Item #	Description	Price
8498.000	Residential trim marking template – 2.75" doors	\$52

**Features:** To eliminate face drilling errors with Residential Trim shown in this section, Baldwin offers an economical metal template to ensure precision hole alignment. The template is designed to easily slide over a 1.75" (44mm) door and engages into the mortise cutout. The hole positions mark the center of the specific bore locations. Before marking hole positions, ALWAYS check to verify that metal template is square to mortise cutout. Mark hole locations accordingly and remove template.

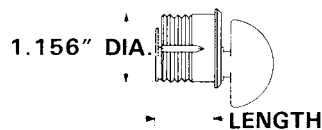
## Mortise Lock Turn Piece Cylinders



Item #	Description	030, 031, 033, 034, 040, 050, 060, 102, 112, 150, 151, 152, 190, 260, 264	003 055 056
8441.xxx	1" Turn Knob Cylinder		
8442.xxx	1.125" Turn Knob Cylinder		
8443.xxx	1.25" Turn Knob Cylinder	\$110	\$115
8444.xxx	1.625" Turn Knob Cylinder		

### Mortise Lock Turn Piece Cylinders

**Features:** Used for specific conditions when operation by turn piece is required in place of a key. Available only with 6720 T-knob attached. Not handed.



**Cylinder Trim**  
Cylinder Not Included

030, 031, 033,  
034, 040, 050,  
060, 102, 112, 003, 055  
150, 151, 152, 056, 402  
190, 260, 264 412, 452

**6737**

2.5" x 2.5" x .25"  
projection – E  
(64 x 64mm)



**6738**

1.75" dia. x .375"  
projection – G



**6739**

1.9" x 1.9" x .375"  
projection – G



**6743**

2.0" x 2.0" x .375"  
projection – G



**6754**

1.687" x 3" x .3125"  
projection – F  
(43 x 76mm)



**6757**

1.75" projection - F  
(44mm) dia.



**6761**

For use with escutcheons  
and sectional trim for  
symmetrical appearance  
on pairs of doors.



**6768**

1.75" projection - C  
(44mm) dia.



**6755**

1.625" x 2.375" x .3125"  
projection – A  
(41 x 60mm)  
NOTE: Prepared to fit  
Baldwin mortise or trim  
cylinders only.



**8300**

**Compression Cylinder  
Collar**



**8314**

**Standard Rim Cylinder Collar**  
Diameter: 1.945" (49mm)  
Thickness: .030 (.8mm)  
Adjustment Range: None



Item #	Description		
6737.xxx	Square Cylinder Collar		
6738.xxx	Contemporary Round Collar		
6739.xxx	Lakeshore Cylinder Collar		
6743.xxx	Contemporary Square Collar	\$45	\$50
6754.xxx	Oval Cylinder Collar		
6757.xxx	Colonial Cylinder Collar		
6761.xxx	Dummy Cylinder		
6768.xxx	Beaded Cylinder Collar		
6755.xxx	Cylinder Lock Cover Plate	95	100
6755.xxx.001	1/16" Blocking Ring – 6755 only		
6755.xxx.002	3/32" Blocking Ring – 6755 only (040 finish only)		10
6755.xxx.003	1/8" Blocking Ring – 6755 only		
8300.xxx	Compression Cylinder Collar	18	23
8314.xxx	Wrought Cylinder Collar**	15	20

\*\*8300 & 8314 NOT available in Distressed finishes

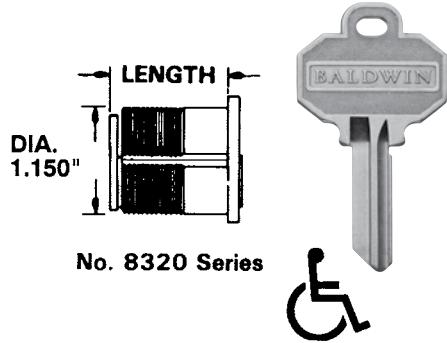
NOTE: Cylinder collars are only for mortise cylinders and will not work on tubular deadbolts.

MORTISE  
LOCKS

# CYLINDERS

## MORTISE CYLINDER SPECIFICATIONS

### Mortise Lock Cylinders



MORTISE  
LOCKS

Length of Mortise Cylinders: The length of a Baldwin cylinder is the measurement from the back edge of the cylinder cap to the outer surface of the cam as illustrated.

Item Number			
C(03) Keyway	E(05) Keyway	F(06) Keyway	Cylinder Length
8321	8341	8361	1" (25mm)
8322	8342	8362	1.125" (29mm)
8323	8343	8363	1.25" (32mm)
8324	8344	8364	1.375" (35mm)
8325	8345	8365	1.5" (38mm)
8326	—	—	1.625" (41mm)
8327	—	—	1.75" (44mm)
8328	—	—	2" (51mm)
8329	—	—	2.25" (57mm)
8330	—	—	2.5" (64mm)

**Features:** Baldwin 6 pin (5 pin for 1" [25mm]) precision mortise cylinders are made of solid extruded brass. Finish is applied to cap only.

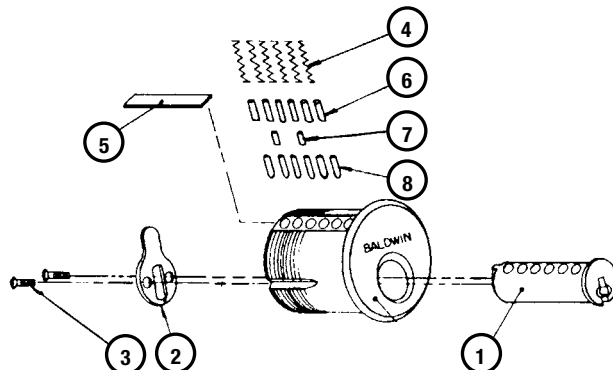
When ordered separately, cylinders are supplied with 2 nickel silver keys. Cam 8300.509.STD is furnished. Cams illustrated on page K/10 can be ordered at additional charge. Cylinder lengths greater than 1.5" (38mm) are not available for E(05) and F(06) keyway Cylinders.

**Keying Requirements:** Available in a multitude of keying arrangements including Master, Grand Master and Construction Keying Levels.

**Ordering Instructions:** Standard Mortise Cylinder: Specify item number and finish. Hotel Mortise Cylinder: Specify item number, finish with suffix "H". Cylinder price includes all MK charges and standard key bow. Cylinder is available with 6 pin keying only.

- No. 1** – 8320.XXX.003 – Series cylinder plug. Specify length required and either US4 or 26D finish.
- No. 2** – 8300.509.STD – Cylinder Cam Standard
- No. 3** – 8300.509.004 – Mounting Screws for cam
- No. 4** – 8300.109.005 – Tumbler Springs
- No. 5** – 8300.009.0065 – Spring Covers (5 pin)  
8300.009.0066 – Spring Covers (6 pin)
- No. 6** – 8320.009.101 – Top Pins (For Bottom Pins #0–#3)  
8320.009.102 – Top Pins (For Bottom Pins #4–#6)  
8320.009.103 – Top Pins (For Bottom Pins #7–#9)
- No. 7** – 8320.009.202 #2 Master Pins - .0295 (0.749mm)  
8320.009.203 #3 Master Pins - .0445 (1.130mm)  
8320.009.204 #4 Master Pins - .0595 (1.511mm)  
8320.009.205 #5 Master Pins - .0745 (1.892mm)  
8320.009.206 #6 Master Pins - .0895 (2.273mm)  
8320.009.207 #7 Master Pins - .1045 (2.654mm)  
8320.009.208 #8 Master Pins - .1195 (3.035mm)  
8320.009.209 #9 Master Pins - .1345 (3.416mm)

- No. 8** – 8320.152.300 #0 Bottom Pins - .1655 (4.204mm)  
8320.152.301 #1 Bottom Pins - .1805 (4.585mm)  
8320.152.302 #2 Bottom Pins - .1955 (4.966mm)  
8320.152.303 #3 Bottom Pins - .2105 (5.347mm)  
8320.152.304 #4 Bottom Pins - .2255 (5.728mm)  
8320.152.305 #5 Bottom Pins - .2405 (6.109mm)  
8320.152.306 #6 Bottom Pins - .2555 (6.489mm)  
8320.152.307 #7 Bottom Pins - .2705 (6.871mm)  
8320.152.308 #8 Bottom Pins - .2855 (7.252mm)  
8320.152.309 #9 Bottom Pins - .3005 (7.633mm)



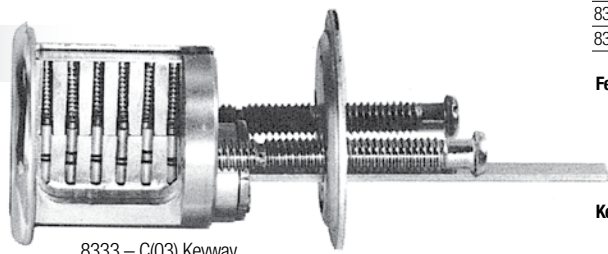


# RIM CYLINDERS, FOR BALDWIN RIM LOCKS

## Rim Lock Cylinders & Tailpiece Bars

030, 031, 033,  
034, 040, 050,  
060, 102, 112, 003  
150, 151, 152, 055  
190, 260, 264 056

8333



8333 – C(03) Keyway



Item #	Description	Keyway		
8333.xxx	Rim Cylinder	C	\$75	\$80
8333.xxx.H	Rim Cylinder	C	105	110

**Features:** Baldwin 6 pin precision Rim Cylinders are made of solid extruded brass. Finish is applied to cap only. When ordered separately, Cylinders are supplied with 2 nickel silver keys. Tailpiece 8313.329.TPH1 is furnished. C(03) Keyway Cylinders are furnished standard with rim locks unless otherwise specified. Consult price list.

**Keying Requirements:** Available in a multitude of keying arrangements including Master, Grand Master and Construction Keying Levels.

**Cylinder Collar:** Cylinder Collars are furnished standard with all keyed rim locks. Cylinder collars shown on page K/11 may be furnished at an additional charge.

**Ordering Instructions:** Standard Rim Cylinder: Specify item number and finish.

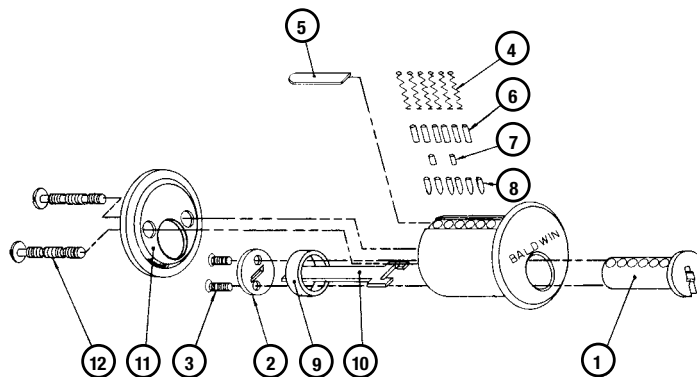
**Weight Each:** .3 lb. (.14kg)

### Tailpiece Bars for Rim Cylinders

Item #	Description	329	
8313.329.TPH1	Rim cylinder tailpiece (regular – 2.22')	(329 finish only)	\$7
8313.329.TPH2	Rim cylinder tailpiece (long – 3.1875')		

- No. 1 –** 8333.XXX.003 – Cylinder plug. Specify either US4 or 26D finish.
- No. 2 –** 8333.009.007 – Tailpiece Plate
- No. 3 –** 8300.509.004 – Mounting Screws for Tailpiece
- No. 4 –** 8300.109.005 – Tumbler Springs
- No. 5 –** 8300.009.0066 – Spring Covers (6 pin)
- No. 6 –** 8320.009.101 – Top Pins (For Bottom Pins #0–#3)  
8320.009.102 – Top Pins (For Bottom Pins #4–#6)  
8320.009.103 – Top Pins (For Bottom Pins #7–#9)
- No. 7 –** 8320.009.202 #2 Master Pins - .0295 (0.749mm)  
8320.009.203 #3 Master Pins - .0445 (1.130mm)  
8320.009.204 #4 Master Pins - .0595 (1.511mm)  
8320.009.205 #5 Master Pins - .0745 (1.892mm)  
8320.009.206 #6 Master Pins - .0895 (2.273mm)  
8320.009.207 #7 Master Pins - .1045 (2.654mm)  
8320.009.208 #8 Master Pins - .1195 (3.035mm)  
8320.009.209 #9 Master Pins - .1345 (3.416mm)

- No. 8 –** 8320.152.300 #0 Bottom Pins - .1655 (4.204mm)  
8320.152.301 #1 Bottom Pins - .1805 (4.585mm)  
8320.152.302 #2 Bottom Pins - .1955 (4.966mm)  
8320.152.303 #3 Bottom Pins - .2105 (5.347mm)  
8320.152.304 #4 Bottom Pins - .2255 (5.728mm)  
8320.152.305 #5 Bottom Pins - .2405 (6.109mm)  
8320.152.306 #6 Bottom Pins - .2555 (6.489mm)  
8320.152.307 #7 Bottom Pins - .2705 (6.871mm)  
8320.152.308 #8 Bottom Pins - .2855 (7.252mm)  
8320.152.309 #9 Bottom Pins - .3005 (7.633mm)
- No. 9 –** 8333.009.010 Spacer
- No. 10 –** 8313.329.TPH1 Tailpiece – Horizontal (Regular)  
8313.329.TPH2 Tailpiece – Horizontal (Long)
- No. 11 –** 8313.509.008 Mounting Plate
- No. 12 –** 8313.509.009 Mounting Screws



MORTISE  
LOCKS

# CYLINDERS KEY BLANKS

Key Blanks			Price				Price
K	8335.152	5-pin standard key blank, C (03) keyway, 50/box	\$3/ea	K	8357.152	6-pin hotel large bow (2) key blank E (05) keyway	\$10/ea
K	8335.152.CK	Construction key	8	K	8357.152.CK	Construction key	8
K	8335.152.CUTK	Cut keys ordered separately	12	K	8357.152.CUTK	Cut keys ordered separately	12
K	8335.152.DK	Display keys	24	K	8357.152.DK	Display keys	24
K	8335.152.EK	Emergency keys	24	K	8357.152.EK	Emergency keys	24
K	8335.152.GGGM	Great great grand master keys	24	K	8357.152.GGGM	Great great grand master keys	24
K	8335.152.GGMK	Great grand master keys	24	K	8357.152.GGMK	Great grand master keys	24
K	8335.152.GMK	Grand master keys	24	K	8357.152.GMK	Grand master keys	24
K	8335.152.MK	Master keys	24	K	8357.152.HOTL	Hotel key bow	9
K	8335.152.SKD	Single keyed different	24	K	8357.152.MK	Master keys	24
K	8335.152.SOK	Shut out keys	24	K	8357.152.SKD	Single keyed different	24
K	8336.152	6-pin key blank, C (03) keyway, 50/box	3	K	8357.152.SOK	Shut out keys	24
K	8336.152.CK	Construction key	8	K	8375.152	5-pin key blank, E (06) keyway, 50/box	5
K	8336.152.CUTK	Cut keys ordered separately	12	K	8375.152.CK	Construction key	8
K	8336.152.DK	Display keys	24	K	8375.152.CUTK	Cut keys ordered separately	12
K	8336.152.EK	Emergency keys	24	K	8375.152.DK	Display keys	24
K	8336.152.GGGM	Great great grand master keys	24	K	8375.152.EK	Emergency keys	24
K	8336.152.GGMK	Great grand master keys	24	K	8375.152.GGGM	Great great grand master keys	24
K	8336.152.GMK	Grand master keys	24	K	8375.152.GGMK	Great grand master keys	24
K	8336.152.MK	Master keys	24	K	8375.152.GMK	Grand master keys	24
K	8336.152.SKD	Single keyed different	24	K	8375.152.MK	Master keys	24
K	8336.152.SOK	Shut out keys	24	K	8375.152.SKD	Single keyed different	24
K	8337.152	6-pin hotel large bow (2) key blank C (03) keyway	10	K	8375.152.SOK	Shut out keys	24
K	8337.152.CK	Construction key	8	K	8376.152	6-pin key blank, F (06) keyway, 50/box	5
K	8337.152.CUTK	Cut keys ordered separately	12	K	8376.152.CK	Construction key	8
K	8337.152.DK	Display keys	24	K	8376.152.CUTK	Cut keys ordered separately	12
K	8337.152.EK	Emergency keys	24	K	8376.152.DK	Display keys	24
K	8337.152.GGGM	Great great grand master keys	24	K	8376.152.EK	Emergency keys	24
K	8337.152.GGMK	Great grand master keys	24	K	8376.152.GGGM	Great great grand master keys	24
K	8337.152.GMK	Grand master keys	24	K	8376.152.GGMK	Great grand master keys	24
K	8337.152.HOTL	Hotel key bow	9	K	8376.152.GMK	Grand master keys	24
K	8337.152.MK	Master keys	24	K	8376.152.MK	Master keys	24
K	8337.152.SKD	Single keyed different	24	K	8376.152.SKD	Single keyed different	24
K	8337.152.SOK	Shut out keys	24	K	8376.152.SOK	Shut out keys	24
K	8355.152	5-pin standard key blank, E (05) keyway, 50/box	5	K	8377.152	6-pin hotel large bow (2) key blank F (06) keyway	10
K	8355.152.CK	Construction key	8	K	8377.152.CK	Construction key	8
K	8355.152.CUTK	Cut keys ordered separately	12	K	8377.152.CUTK	Cut keys ordered separately	12
K	8355.152.DK	Display keys	24	K	8377.152.DK	Display keys	24
K	8355.152.EK	Emergency keys	24	K	8377.152.EK	Emergency keys	24
K	8355.152.GGGM	Great great grand master keys	24	K	8377.152.GGGM	Great great grand master keys	24
K	8355.152.GGMK	Great grand master keys	24	K	8377.152.GGMK	Great grand master keys	24
K	8355.152.GMK	Grand master keys	24	K	8377.152.GMK	Grand master keys	24
K	8355.152.MK	Master keys	24	K	8377.152.HOTL	Hotel key bow	9
K	8355.152.SKD	Single keyed different	24	K	8377.152.MK	Master keys	24
K	8355.152.SOK	Shut out keys	24	K	8377.152.SKD	Single keyed different	24
K	8356.152	6-pin key blank, E (05) keyway, 50/box	5	K	8377.152.SOK	Shut out keys	24
K	8356.152.CK	Construction key	8	K	8401.152	Issued under factory authorization only. Not available for normal sale	6
K	8356.152.CUTK	Cut keys ordered separately	12	K	8406.152	Issued under factory authorization only. Not available for normal sale	6
K	8356.152.DK	Display keys	24	K	8416.152	Issued under factory authorization only. Not available for normal sale	6
K	8356.152.EK	Emergency keys	24	‡	8053.040.0002	Construction key cylinder plug	040 4
K	8356.152.GGGM	Great great grand master keys	24		8053.264.002		264 4
K	8356.152.GGMK	Great grand master keys	24			*Per cylinder master keying charge	18
K	8356.152.GMK	Grand master keys	24			*Per cylinder construction keying charge	18
K	8356.152.MK	Master keys	24				
K	8356.152.SKD	Single keyed different	24				
K	8356.152.SOK	Shut out keys	24				

MORTISE  
LOCKS

\*NOTE: 2 Keys provided per cylinder.

\*NOTE: 152 finish in cylinders, locks, and latches is Antique Nickel with matte lacquer. This coordinates with lock trim in 452 finish.

MISCELLANEOUS  
REPLACEMENT PARTS

					Price
1A	8490.000.001	.25-20 × 3" FH PH MS	Door knocker/hand set/thru-bolt	10 ea	\$10
1B	8490.000.002	No. 10-24 × 3" OH PH MS × 260	Extra long trim thru-bolts	10 ea	11
1C	8490.000.003	No. 10-24 × 3" OH PH MS × 030	Extra long trim thru-bolts	10 ea	11
2A	8490.000.004	No. 10 × 1" FH PH UC WS × 030	Hinge screws	100 ea	38
2B	8490.000.005	No. 12 × 1.25" FH PH UC WS × 030	Hinge screws	100 ea	43
3A	8490.000.006	No. 10-24 × .5" FH PH MS × 030	Hinge screws	100 ea	44
3B	8490.000.007	No. 12-24 × .5" FH PH MS × 030	Hinge screws	100 ea	30
4B	8490.00.010	No. 6 × .625" OH PH SMS × 040	Kick plate screws	200 ea	50
8A	8490.000.019	No. 8-32 Combination WS/MS	Bread board screws for cabinet knobs	25 ea	50
8B	8490.000.020	No. 6-32 × .375" OH SL MS	Switch plate screws	50 ea	17
8D	8490.000.022	No. 8 × .75" FH PH WS	Latch/strike/DM backplate screws	50 ea	16
8E	8490.000.023	No. 8 × .375" FH PH SMS	Screws for No. 5097 backplate	100 ea	22
9A	8490.000.024	No. 12 × 1" FH PH Comb.	Mortise lock screws	50 ea	13
9B	8490.000.025	No. 4 × .75" RD SL WS × 040	Lock trim/house number screws	50 ea	13
9C	8490.000.026	No. 5 × .625" FH SL WS × 040	Lock trim screws	50 ea	31
10A	8490.000.027	No. 6 × .5" OH SL WS × 040	Lock trim screws	100 ea	32
10B	8490.000.028	No. 8 × .875" OH PH WS × 040	Lock trim screws	100 ea	29
10C	8490.000.029	No. 10 × 2" OH SL WS × 030	Lock trim screws	20 ea	27
11C	8490.000.032	No. 8-32 × .218" FH PH UC MS × 030	Armored front screws	20 ea	6
11D	8490.000.033	No. 3-32 × .218" FH PH UC MS × 260	Armored front screws	20 ea	6
11E	8490.000.034	No. 8-32 × .218" FH PH UC MS × 102	Armored front screws	20 ea	6
12A	8490.000.035	No. 10-24 × 2.125" OH PH MS × 030	Trim thru-bolts	20 ea	9
13A	8490.000.037	No. .25-20 UNC × .25"	Socket set screws #0561	200 ea	84
14A	8490.000.038	No. 8-32 × .5" FH PH MS	Installation plate screws	100 ea	37
14B	8490.000.039	No. 6-32 × .25" PAN SL MS	Lock front beveling screws	20 ea	6
14C	8490.000.040	No. 8-32 × .25" FH PH U/C MS	Lock lid screws	20 ea	6
15A	8490.000.041	Complete yoke assembly	For 2.75" backset locks	2 ea	13
15B	8490.000.042	Complete yoke assembly	For 2.5" backset locks	2 ea	13
16A	8490.000.043	Stop ball	For all mortise locks	10 ea	6
16B	8490.000.044	Stop spring	For all mortise locks	10 ea	6
17A	8490.000.045	Turn hub spring	For 2.75" backset mortise locks	5 ea	6
18A	8490.000.047	Latch spring	For 2.75" backset locks	5 ea	6
18B	8490.000.048	Lift lever spring	For 2.75" backset handleset functions	5 ea	6
19A	8490.000.049	Anti-friction hinge pin	All locks with anti-friction latch	10 ea	4
19B	8490.000.050	Wear washer	For 2.5" & 2.75" B.S. emergency egress locks	10 ea	4
20B	8490.000.052	Hub lever spring	For 2.5" backset locks	5 ea	6
21A	8490.000.053	Lift lever spring	For 2.5" backset handleset functions	5 ea	6
21B	8490.000.054	Latch spring	For 2.5" backset locks	5 ea	6
22A	8490.000.055	Turn hub spring	For 1.5" & 2.0" backset locks	5 ea	6
22B	8490.000.056	Hub lever spring	For 1.5" & 2.0" backset locks	5 ea	6
24B	8490.000.060	Cylinder yoke	For 1.5" & 2.0" backset locks	2 ea	6
25A	8490.000.061	Cylinder set screw	For 1.5" backset locks	2 ea	4
25B	8490.000.062	Cylinder set screw	For 2.0" backset locks	2 ea	6

MORTISE  
LOCKS

# MISCELLANEOUS TOOLS & ACCESSORIES

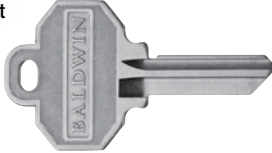
**8472.000.001**  
Cylinder Plug Follower



**8472.000.002**  
Tweezers



**8472.000.003**  
Depth Key Set

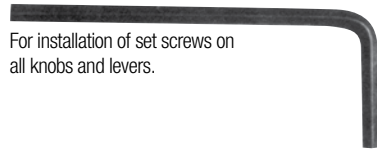


**8480.000**  
Aligning Tool



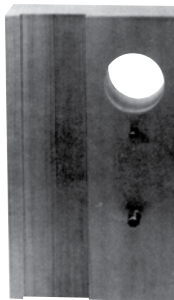
For use in proper alignment of knobs, levers, roses and escutcheon with mortise locks/tubular latches.

**8481.509.01105**  
Allen Wrench



For installation of set screws on all knobs and levers.

**8484.000**  
Lock Reversing Block



**FEATURES:** Provides means to align and secure mortise locks to facilitate reversing of handed internal parts.

**PACKED:** One in a box.

**WEIGHT PER BOX:** .9 lb. (.41kg)

Item #	Description	Price
6707.009	Cylinder reinforcing plug	\$7
8472.000.001	Cylinder plug follower included with keying kits	
8472.000.002	Tweezers for gripping cylinder pins included w/8472 kit	38
8472.000.003	Depth key set, furnished with 10 keys (0 thru 9 depths)	
8474.000	Alignment bushing (Bag of 50)	15
8480.000	Aligning tool. Used to align back plates & escutcheons w/locks	12
8481.509.01105	1/8" allen wrench used to tighten set screws	5
8484.000	Lock reversing block. Simplifies changing hand of mortise locks	15.39 NET

## Keying Kits

Item #	Description	Finish	Price
8471.000	Small keying kit for keying (C) cylinders alike	000	\$105
8472.000	Large keying kit for all (C)keying applications inc. master keying	000	490
8320.009.101	#1 top pins (100 each per pack)		
8320.009.102	#2 top pins (100 each per pack)		
8320.009.103	#3 top pins (100 each per pack)		
8320.009.202	#2 master pins (100 each per pack)		
8320.009.203	#3 master pins (100 each per pack)		
8320.009.204	#4 master pins (100 each per pack)	009	23
8320.009.205	#5 master pins (100 each per pack)		
8320.009.206	#6 master pins (100 each per pack)		
8320.009.207	#7 master pins (100 each per pack)		
8320.009.208	#8 master pins (100 each per pack)		
8320.009.209	#9 master pins (100 each per pack)		
8320.152.300	#0 bottom pins (100 each per pack)		
8320.152.301	#1 bottom pins (100 each per pack)		
8320.152.302	#2 bottom pins (100 each per pack)		
8320.152.303	#3 bottom pins (100 each per pack)		
8320.152.304	#4 bottom pins (100 each per pack)		
8320.152.305	#5 bottom pins (100 each per pack)	152	23
8320.152.306	#6 bottom pins (100 each per pack)		
8320.152.307	#7 bottom pins (100 each per pack)		
8320.152.308	#8 bottom pins (100 each per pack)		
8320.152.309	#9 bottom pins (100 each per pack)		
8320.152.401	Hotel pin		
8300.109.005	Tumbler springs	109	
8300.009.0065	Spring covers	009	27
8300.009.0066	Spring covers	009	
8300.509.STD	Standard cams		
8300.509.AR	Adams rite cams	509	7
8300.509.004	Cam mounting screws	509	31
8313.329.TPH1	Tailpiece (regular) for rim lock cylinders	329	7
8313.329.TPH2	Tailpiece (long) for rim lock cylinders		
8313.509.008	Mounting plate	509	3
8313.509.009	Mounting screws		
8333.009.007	Tailpiece plate	009	5
8333.009.010	Spacer		
8472.000.001	Cylinder plug follower	000	38
8011.028.0025	Washer	028	3
8011.039.0027	Cap	039	4
8053.028.TP1	Tailpiece - double cylinder		
8053.028.TP2	Tailpiece - emergency exit		
8053.028.TP3*	Tailpiece - single cylinder for 1 3/8" door thickness	028	3
8053.028.TP4	Tailpiece - single cylinder for 1 3/4" door thickness		
8475.000.001	Cap tool	000	5
8472.000.004	Shim	000	2
8011.039.0023	Pins	039	2
8011.109.0022	Springs	109	2
8472.000.006	Key gauge	000	12
8472.000.002	Tweezers	000	37
9935.999	Stile-right template	999	30
9940.000.A	Finish demonstrator	000	35**

**\*NOTE:** 8053.028.TP3 Tailpiece for doors 1 3/8" thick is not supplied as a standard component of the kit but can be ordered separately.

\*\*Net Price



MISCELLANEOUS  
**SLIDING  
DOOR  
LOCKS**





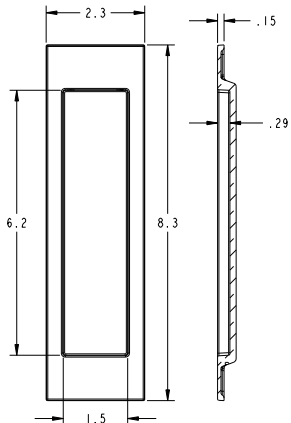


030, 031,  
 033, 034, 040  
 050, 060, 102  
 112, 150, 151  
 190, 260, 264  
 003, 055  
 056, 402  
 412, 452



Item #	Description	Wt.		
SET*	PD005.xxx.ENTR	Entry set with 2.5" backset lock*	Set	
	PD005.xxx.PRIV	Privacy set with 2.5" backset lock	Set	535 590
	PD005.xxx.PASS	Passage/dummy set with pull	Set	470 520
	PD005.xxx.FD	Dummy set for double doors	Set	500 550
TRIM	PD005.xxx.PS	Passage Trim - Pair	Pair	210 230
	PD005.xxx.iPS	Passage Trim - half pair	Each	
	PD005.xxx.KE	Trim with Emergency Release (KE)	Each	105 115
	PD005.xxx.KC	Trim Cut for Cylinder (KC)	Each	
	PD005.xxx.KT	Interior Trim with Turn Knob (KT)	Each	140 155

\*Entry set excludes cylinder



Minimum Door Thickness: 1.50"  
 Minimum Door Thickness for flush installation: 1.75"

SLIDING DOOR  
 LOCKS



Sets	PD005.xxx.PRIV	PD005.xxx.PASS
Exterior Trim	PD005.xxx.KE	PD005.xxx.iPS
Interior Trim	PD005.xxx.KT	PD005.xxx.iPS
Cylinder	N/A	N/A
Mortise Lock	8632.xxx	8601.xxx



Designer	Privacy	Passage	Entry	Double Door Inactive
Exterior Trim	PD005.xxx.KE	PD005.xxx.iPS	PD005.xxx.KC	PD005.xxx.iPS
Interior Trim	PD006.xxx.KT	PD007.xxx.iPS	PD006.xxx.KT	PD005.xxx.iPS
Cylinder	N/A	N/A	8320.xxx.EMHT (1.75" door thickness*)	N/A
Mortise Lock	8632.xxx	8601.xxx	8632.xxx	8603.xxx

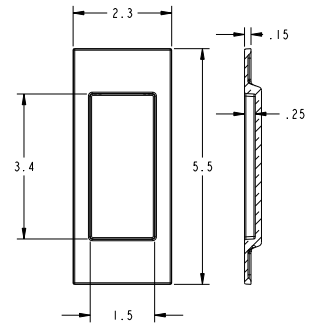
\* see page 151 for pocket door cylinder table

POCKET DOORS  
**SANTA MONICA - SMALL**



Item #	Description	Wt.	030, 031, 033, 034, 040		
			050, 060, 102	003, 055	
			112, 150, 151	056, 402	
			190, 260, 264	412, 452	
SET *	PD006.xxx.ENTR	Entry set with 2.5" backset lock*	Set	495	550
	PD006.xxx.PRIV	Privacy set with 2.5" backset lock	Set	430	480
	PD006.xxx.PASS	Passage/dummy set with pull	Set	460	510
	PD006.xxx.FD	Dummy set for double doors	Set	170	190
TRIM	PD006.xxx.PS	Passage Trim - Pair	Pair	85	95
	PD006.xxx.iPS	Passage Trim - half pair	Each	120	135
	PD006.xxx.KE	Trim with Emergency Release (KE)	Each		
	PD006.xxx.KC	Trim Cut for Cylinder (KC)	Each		
PD006.xxx.KT	Interior Trim with Turn Knob (KT)	Each			

\*Entry set excludes cylinder.



Minimum Door Thickness: 1.375"  
 Minimum Door Thickness for flush installation: 1.75"

SLIDING DOOR  
 LOCKS



Sets	PD006.xxx.PRIV	PD006.xxx.PASS
Exterior Trim	PD006.xxx.KE	PD006.xxx.iPS
Interior Trim	PD006.xxx.KT	PD006.xxx.iPS
Cylinder	N/A	N/A
Mortise Lock	8632.xxx	8601.xxx



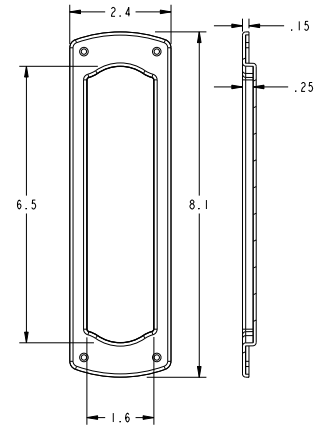
Designer	Privacy	Passage	Entry	Double Door Inactive
Exterior Trim	PD006.xxx.KE	PD006.xxx.iPS	PD006.xxx.KC	PD006.xxx.iPS
Interior Trim	PD006.xxx.KT	PD016.xxx.iPS	PD007.xxx.KT	PD006.xxx.iPS
Cylinder	N/A	N/A	8320.xxx.EMHT (1.75" door thickness*)	N/A
Mortise Lock	8632.xxx	8601.xxx	8632.xxx	8603.xxx

\* see page 151 for pocket door cylinder table



Item #	Description	Wt.	030, 031, 033, 034, 040 050, 060, 102 112, 150, 151 190, 260, 264		003, 055 056, 402 412, 452	
SET-	PD007.xxx.ENTR	Entry set with 2.5" backset lock*	Set	495	550	
	PD007.xxx.PRIV	Privacy set with 2.5" backset lock	Set			
	PD007.xxx.PASS	Passage/dummy set with pull	Set	430	480	
	PD007.xxx.FD	Dummy set for double doors	Set	460	510	
TRIM	PD007.xxx.PS	Passage Trim - Pair	Pair	170	190	
	PD007.xxx.iPS	Passage Trim - half pair	Each			
	PD007.xxx.KE	Trim with Emergency Release (KE)	Each	85	95	
	PD007.xxx.KC	Trim Cut for Cylinder (KC)	Each			
	PD007.xxx.KT	Interior Trim with Turn Knob (KT)	Each	120	135	

\*Entry set excludes cylinder.



Minimum Door Thickness: 1.375"  
Minimum Door Thickness for  
Keyed Entry: 1.5"

SLIDING DOOR  
LOCKS

Sets	PD007.xxx.PRIV	PD007.xxx.PASS
Exterior Trim	PD007.xxx.KE	PD007.xxx.iPS
Interior Trim	PD007.xxx.KT	PD007.xxx.iPS
Cylinder	N/A	N/A
Mortise Lock	8632.xxx	8601.xxx



Designer	Privacy	Passage	Entry	Double Door Inactive
Exterior Trim	PD007.xxx.KE	PD007.xxx.iPS	PD007.xxx.KC	PD007.xxx.iPS
Interior Trim	PD005.xxx.KT	PD007.xxx.iPS	PD007.xxx.KT	PD007.xxx.iPS
Cylinder	N/A	N/A	8320.xxx.EMHT (1.75" door thickness*)	N/A
Mortise Lock	8632.xxx	8601.xxx	8632.xxx	8603.xxx

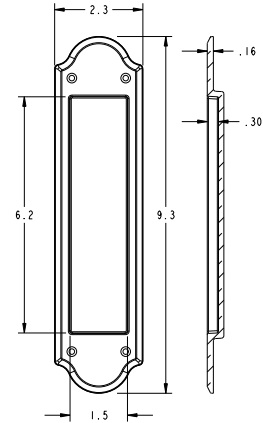
\* see page 151 for pocket door cylinder table

POCKET DOORS  
**BOULDER**



Item #	Description	Wt.	030, 031, 033, 034, 040 050, 060, 102 112, 150, 151 190, 260, 264		003, 055 056, 402 412, 452	
SET*	PD016.xxx.ENTR	Entry set with 2.5" backset lock*	Set	515	570	
	PD016.xxx.PRIV	Privacy set with 2.5" backset lock	Set			
	PD016.xxx.PASS	Passage/dummy set with pull	Set	450	500	
	PD016.xxx.FD	Dummy set for double doors	Set	480	530	
TRIM	PD016.xxx.PS	Passage Trim - Pair	Pair	190	210	
	PD016.xxx.iPS	Passage Trim - half pair	Each			
	PD016.xxx.KE	Trim with Emergency Release (KE)	Each	95	105	
	PD016.xxx.KC	Trim Cut for Cylinder (KC)	Each			
	PD016.xxx.KT	interior Trim with Turn Knob (KT)	Each	130	145	

\*Entry set excludes cylinder.



Minimum Door Thickness: 1.75"

Sets	PD016.xxx.PRIV	PD016.xxx.PASS
Exterior Trim	PD016.xxx.KE	PD016.xxx.iPS
Interior Trim	PD016.xxx.KT	PD016.xxx.iPS
Cylinder	N/A	N/A
Mortise Lock	8632.xxx	8601.xxx



Designer	Privacy	Passage	Entry	Double Door Inactive
Exterior Trim	PD016.xxx.KE	PD016.xxx.iPS	PD016.xxx.KC	PD016.xxx.iPS
Interior Trim	PD006.xxx.KT	PD005.xxx.iPS	PD007.xxx.KT	PD016.xxx.iPS
Cylinder	N/A	N/A	8320.xxx.EMHT (1.75" door thickness*)	N/A
Mortise Lock	8632.xxx	8601.xxx	8632.xxx	8603.xxx

\* see page 151 for pocket door cylinder table



Pocket door pull

**SPECIFICATIONS**

Standardized heavy steel case is smooth, easy to mortise, and assures snug and solid fit in door mortise.  
Vital interior working parts are made of solid hot forged brass or steel for a lifetime of trouble-free operation.  
All lock cases are constructed of heavy gauge steel (.093-2.4mm) material and plated with a protective rust-resistant coating to retard oxidation.

- FACEPLATE:** Wrought brass, available in standard finishes.
- DEADBOLT:** 8602 and 8632 locks are equipped with a 1" (25mm) throw deadbolt with steel inserts that engage strike. Furnished in US4 and 26D finishes depending on faceplate finish.
- PULL:** All locks are equipped with a 1.25" (32mm) throw pull. Pull is thrown by push button on lock front. Furnished in US4 and 26D finishes to match trim.
- TURN HUB:** 8602 and 8632 locks include turn hub with .19" (5mm) hole broached on the diamond.
- SPACING:** Center to center of Turn Hub to Cylinder 1.187" (30mm).
- CYLINDER:** Emhart mortise type with O3 keyway and two silver nickel keys. Cylinder is not supplied with lock and should be ordered with suffix ".EMHT" added to the end of the Item #. (same price as standard C keyway cylinders)
- KEYING:** All levels of Keying, including Construction Keying, are available.
- STRIKE:** Wrought brass finished to match. Included with 8602 and 8632 locks only. 8603 lock is spring-loaded strike combined with pull (for double door applications).
- TEMPLATE:** Provided along with install instructions with all locks. Face cutouts are subject to variation. Always review trim requirements before door preparation.

Item #	Description	
8601.xxx	Pocket Door Pull	For Passage and Dummy Functions, included on passage (PASS) sets
8602.xxx	Pocket Door Lock with Pull	For Privacy and Entry Functions, included on privacy (PRIV) and entry (ENTR) sets
8603.xxx	Pocket Door Strike with Pull	For Dummy Side of Double Door, included in dummy for double door application (FD) functions

Mortise Locks are NOT available in Distressed Finishes, non-distressed equivalents 402=102, 412=112, 452=152  
Pocket Door Pull locks come with 7/8" fronts; all other pocket door locks comes with 1" fronts

Item #	Description		031,033,040 050,060,102 112,150,151,152 190,260,264	003,055 056
8320.xxx.EMHT	.75" (4 pin)	Mortise Cylinder	\$50	\$55
8321.xxx.EMHT	1"	Mortise Cylinder	50	55
8322.xxx.EMHT	1.125"	Mortise Cylinder	50	55
8323.xxx.EMHT	1.25"	Mortise Cylinder	50	55

Mortise Cylinders are NOT available in Distressed Finishes, non-distressed equivalents 402=102, 412=112, 452=152



Pocket door lock with pull



Pocket door strike with pull

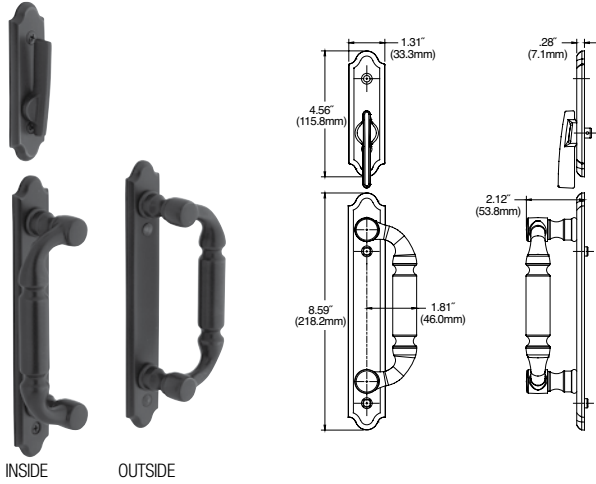
SINGLE CYLINDER C KEYWAY		Door Thickness		1.375"		1.5"		1.75"		2"		2.25"		2.5"	
Trim Style Name	Trim Style #	Cylinder Length	Blocking Ring	Cylinder Length	Blocking Ring	Cylinder Length	Blocking Ring	Cylinder Length	Blocking Ring	Cylinder Length	Blocking Ring	Cylinder Length	Blocking Ring	Cylinder Length	Blocking Ring
Large Santa Monica (Standard mounting)	PD005	-	-	.75" 8320.xxx. EMHT	-	.75" 8320.xxx. EMHT	-	1" 8321.xxx. EMHT	-	1" 8321.xxx. EMHT	-	1" 8321.xxx. EMHT	-	1" 8321.xxx. EMHT	-
Large Santa Monica (Flush mounting)	PD005	-	-	-	-	-	-	1" 8321.xxx. EMHT	-	1" 8321.xxx. EMHT	-	1" 8321.xxx. EMHT	-	1" 8321.xxx. EMHT	-
Small Santa Monica (Standard mounting)	PD006	.75" 8320.xxx. EMHT	-	.75" 8320.xxx. EMHT	-	.75" 8320.xxx. EMHT	-	1" 8321.xxx. EMHT	-	1" 8321.xxx. EMHT	-	1" 8321.xxx. EMHT	-	1" 8321.xxx. EMHT	-
Small Santa Monica (Flush mounting)	PD006	-	-	.75" 8320.xxx. EMHT	.0625" 8440.xxx. 001	.75" 8320.xxx. EMHT	-	1" 8321.xxx. EMHT	-	1" 8321.xxx. EMHT	-	1" 8321.xxx. EMHT	-	1" 8321.xxx. EMHT	-
Palo Alto	PD007	-	-	.75" 8320.xxx. EMHT	-	.75" 8320.xxx. EMHT	-	1" 8321.xxx. EMHT	-	1" 8321.xxx. EMHT	-	1" 8321.xxx. EMHT	-	1" 8321.xxx. EMHT	-
Boulder	PD016	-	-	-	-	.75" 8320.xxx. EMHT	-	1" 8321.xxx. EMHT	-	1" 8321.xxx. EMHT	-	1" 8321.xxx. EMHT	-	1" 8321.xxx. EMHT	-

DOUBLE CYLINDER C KEYWAY		Door Thickness		1.375"		1.5"		1.75"		2"		2.25"		2.5"	
Trim Style Name	Trim Style #	Cylinder Length	Blocking Ring	Cylinder Length	Blocking Ring	Cylinder Length	Blocking Ring	Cylinder Length	Blocking Ring	Cylinder Length	Blocking Ring	Cylinder Length	Blocking Ring	Cylinder Length	Blocking Ring
Large Santa Monica (Standard mounting)	PD005	-	-	-	-	.75" 8320.xxx. EMHT	.0625" 8440. xxx.001	.75" 8320.xxx. EMHT*	-	1" 8321.xxx. EMHT	.0625" 8440. xxx.001	1" 8321.xxx. EMHT	-	1" 8321.xxx. EMHT	-
Large Santa Monica (Flush mounting)	PD005	-	-	-	-	-	-	-	-	1" 8320.xxx. EMHT	-	1" 8321.xxx. EMHT	-	1" 8321.xxx. EMHT	.0625" 8440. xxx.001
Small Santa Monica (Standard mounting)	PD006	-	-	-	-	.75" 8320.xxx. EMHT	.0625" 8440. xxx.001	.75" 8320.xxx. EMHT*	-	1" 8321.xxx. EMHT	.0625" 8440. xxx.001	1" 8321.xxx. EMHT	-	1" 8321.xxx. EMHT	-
Small Santa Monica (Flush mounting)	PD006	-	-	-	-	-	-	.75" 8320.xxx. EMHT*	.0625" 8440. xxx.001	1" 8320.xxx. EMHT	-	1" 8321.xxx. EMHT	-	1" 8321.xxx. EMHT	.0625" 8440. xxx.001
Palo Alto	PD007	-	-	-	-	.75" 8320.xxx. EMHT	.0625" 8440. xxx.002	.75" 8320.xxx. EMHT*	-	1" 8321.xxx. EMHT	.0937" 8440. xxx.002	1" 8321.xxx. EMHT	-	1" 8321.xxx. EMHT	-
Boulder	PD016	-	-	-	-	.75" 8320.xxx. EMHT	.0625" 8440. xxx.002	.75" 8320.xxx. EMHT*	-	1" 8321.xxx. EMHT	.0937" 8440. xxx.002	1" 8321.xxx. EMHT	-	1" 8321.xxx. EMHT	-

SLIDING DOOR  
LOCKS

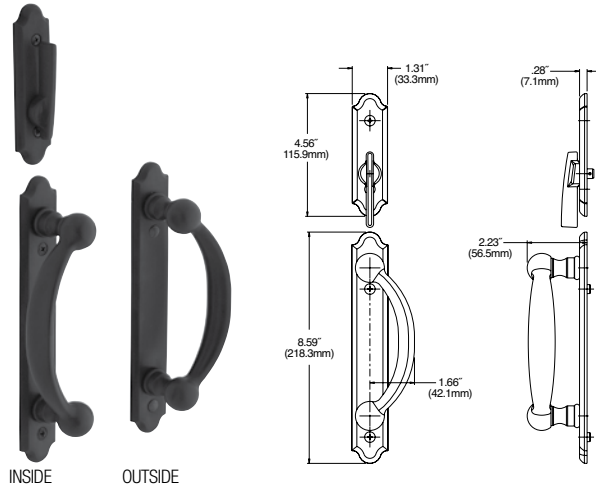
# MISCELLANEOUS GARDEN DOOR TRIM

## 5970 Hamilton Gliding Door Trim



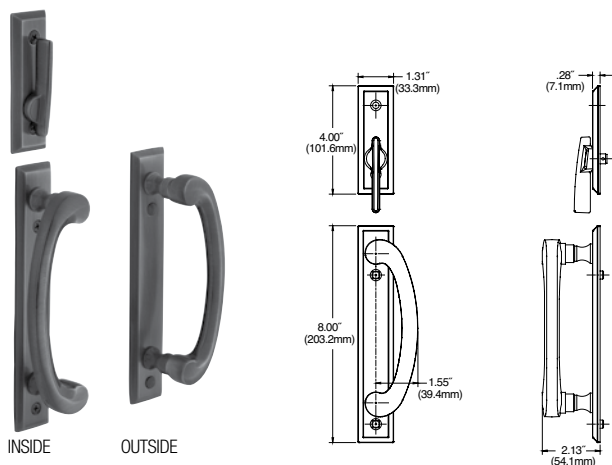
Item #	Description	030, 031	
		033, 034, 040	003, 055
5970.xxx.BPG2	Hamilton Active Gliding Door Trim	050, 060, 102	056, 402
5970.xxx.FDG	Hamilton Dummy Gliding Door Trim	112, 150, 151	412, 452
		\$320	\$350

## 5971 Boulder Gliding Door Trim



Item #	Description	030, 031	
		033, 034, 040	003, 055
5971.xxx.BPG2	Boulder Active Gliding Door Trim	050, 060, 102	056, 402
5971.xxx.FDG	Boulder Dummy Gliding Door Trim	112, 150, 151	412, 452
		\$320	\$350

## 5975 Concord Gliding Door Trim



Item #	Description	030, 031	
		033, 034, 040	003, 055
5975.xxx.BPG2	Concord Active Gliding Door Trim	050, 060, 102	056, 402
5975.xxx.FDG	Concord Dummy Gliding Door Trim	112, 150, 151	412, 452
		\$320	\$350

SLIDING DOOR  
LOCKS

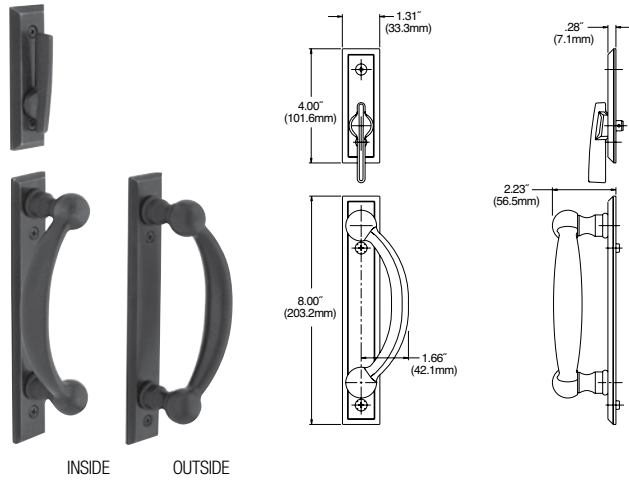
**NOTE:** Baldwin Garden Door hardware is designed exclusively for use with Andersen® doors & is not offered in split finishes.

**BALDWIN**



**5976 Cody**  
Gliding Door Trim

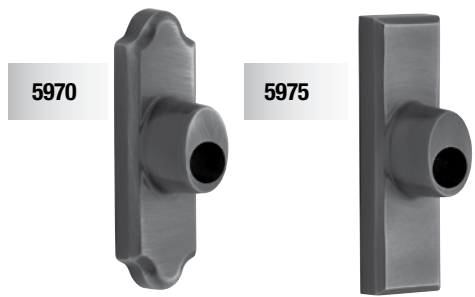
030, 031  
033, 034, 040  
050, 060, 102 003, 055  
112, 150, 151 056, 402  
190, 260, 264 412, 452



Item #	Description		
5976.xxx.BPG2	Cody Active Gliding Door Trim	\$320	\$350
5976.xxx.FDG	Cody Dummy Gliding Door Trim		

**5970, 5975**  
Exterior Locking Cylinder Housings

030, 031  
033, 034, 040  
050, 060, 102 003, 055  
112, 150, 151 056, 402  
190, 260, 264 412, 452



Item #	Description		
5970.xxx.CHG	Hamilton/Boulder Exterior Cylinder Housing	\$75	\$85
5975.xxx.CHG	Concord/Cody Exterior Cylinder Housing		

**NOTE:** Locking cylinder housings do not include cylinder and keys. Cylinder and keys from customer's existing lock must be used. If new installation, cylinder and keys must be purchased from Andersen®

SLIDING DOOR  
LOCKS

# MULTI-POINT





Bristol – MP009



Richland – MP011



Lakeshore – MP013



Springfield – MP001



Bismark – MP002



Boulder – MP016



Cody – MP015



Concord – MP004



Kensington – MP003



Santa Monica – MP005



Watch for this icon as your quick guide to coordinating Baldwin lock hardware throughout your home. Your favorite Baldwin styles are now available in Mortise for entrance needs, Tubular for entrance/interiors, AND Multi-Point for patio doors!

- > FITS 92 AND 105 MM CYLINDER TO LEVER C.T.C.
- > ESTATE COLLECTION FINISH OPTIONS TO SUIT ANY HOME.
- > PROFILE OR AMERICAN CYLINDER.
- > AVAILABLE AS COMPLETE SETS, MINUS LEVER SETS, OR CHOOSE YOUR OWN LEVER STYLE TO BUILD A SET.
- > EASY INSTALLATION WITH ONE-BOX SHIPPING AND CYLINDER/HARDWARE FOR 1.75" THICK DOOR.
- > THROUGH-BOLT MOUNTING.
- > THICK DOOR KITS AVAILABLE.
- > ALL PROFILE AND AMERICAN CYLINDERS ARE FIELD KEYABLE TO BALDWIN KEYWAY.
- > 112 FINISH NOW AVAILABLE FOR ALL PROFILE CYLINDERS

**PROFILE CYLINDERS**

RECOMMENDED FINISHES	ORIGINAL FINISHES
040	003, 031, 033, 034, 060, 040, 050
112	412, 102, 190, 402, 112
264	055, 056, 150, 151, 260, 264, 452

**AMERICAN CYLINDERS**

RECOMMENDED FINISHES	ORIGINAL FINISHES
040	003, 031, 033, 034, 040, 050, 060, 102, 112, 190, 402, 412,
264	055, 056, 150, 151, 260, 264, 452

# MULTI-POINT HOW TO ORDER

## STEP 1

### PICK YOUR MULTI-POINT TRIM

EXAMPLE # **MP004** . xxx . xxxX

Trim Code	Description
MP001	Springfield Multi-Point Trim
MP002	Bismark Multi-Point Trim
MP003	Kensington Multi-Point Trim
MP004	Concord Multi-Point Trim
MP005	Santa Monica Multi-Point Trim
MP009	Bristol Multi-Point Trim
MP011	Richland Multi-Point Trim
MP013	Lakeshore Multi-Point Trim
MP015	Cody Multi-Point Trim
MP016	Boulder Multi-Point Trim

## STEP 2

### CHOOSE YOUR DOOR CONFIGURATION

EXAMPLE # MP004 . xxx . xxx**1**

Configuration #	Description	Measurement	Page
Configuration 1	Profile Cylinder Below Handle	92mm CTC, 8.5" Mounting Hole CTC	161
Configuration 2	American Cylinder Above Handle	105mm CTC, 8.5" Mounting Hole CTC	163
Configuration 3	American Cylinder Below Handle	92mm CTC, 8.375" Mounting Hole CTC	165
Configuration 4	Profile Cylinder Below Handle	92mm CTC, 7.875" Mounting Hole CTC	167
Configuration 5	American Cylinder Above or Below Handle	92mm CTC, 7.5625" Mounting Hole CTC	169
Configuration 6	American Cylinder Above Handle	92mm CTC, 7.25" Mounting Hole CTC	171

## STEP 3

### CHOOSE YOUR FUNCTION

EXAMPLE # MP004 . xxx . **ACT**

Function Code	Description
ACT	Entry, keyed w/ turnknob (supplied w/ cylinder for 1 3/4" door thickness)
FDP	Passage, active, no cylinder or turnknob
AIN	Inactive outside and active inside- non-keyed
FD	Inactive, non-keyed
PAT	Patio, non-keyed

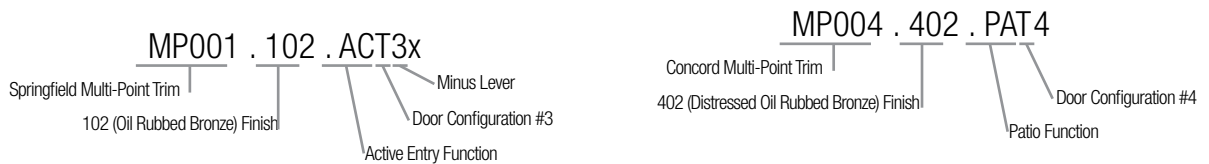
## STEP 4

### SPECIFY MINUS LEVER OPTION, IF DESIRED:

EXAMPLE # MP004 . xxx . ACT**X**

Add "x" to suffix for minus lever option.  
Otherwise trim ships with stock lever choice as shown.

Examples:



## STEP 5

### IF A LEVER OTHER THAN THE STANDARD IS DESIRED

Order a trim without levers and order levers separately.

## STEP 6

### IF SPLIT FINISH



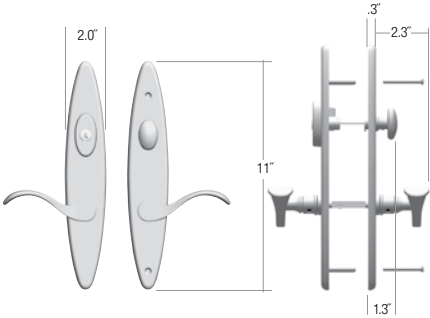


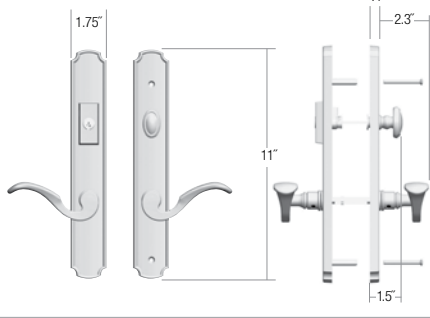


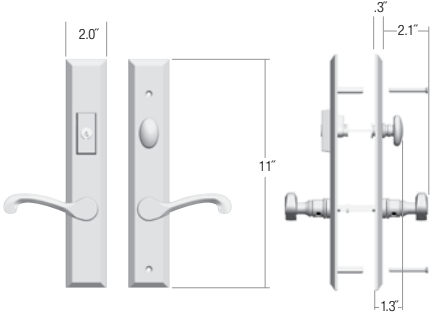


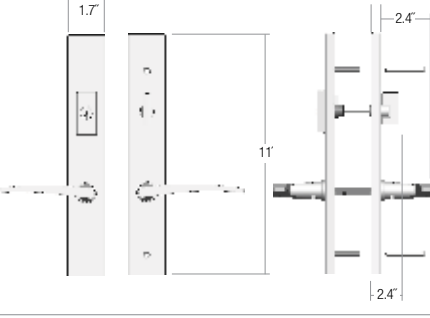


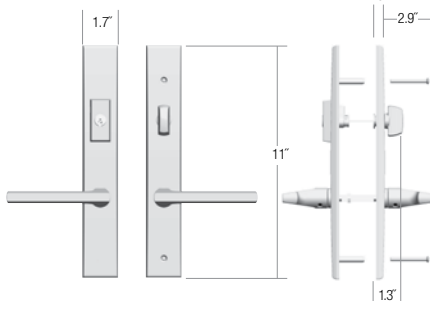
Order escutcheons, levers, and corresponding thick door kits separately.

**STEP 1**

**PICK YOUR MULTI-POINT TRIM**

EXAMPLE # **MP004** . XXX . XXXX

MULTI-POINT  
**TIER 1**

<p><b>Springfield – MP001</b> 5455 lever included</p>	<p><b>Profile Cylinder</b> Below Handle</p> 	<p><b>American Cylinder</b> Above &amp; Below</p> 	
<p><b>Bismark – MP002</b> 5152 lever included</p>	<p><b>Profile Cylinder</b> Below Handle</p> 	<p><b>American Cylinder</b> Above &amp; Below</p> 	
<p><b>Concord – MP004</b> 5445 lever included</p>	<p><b>Profile Cylinder</b> Below Handle</p> 	<p><b>American Cylinder</b> Above &amp; Below</p> 	
<p><b>Santa Monica – MP005</b> L022 lever included</p>	<p><b>Profile Cylinder</b> Below Handle</p> 	<p><b>American Cylinder</b> Above &amp; Below</p> 	
<p><b>Lakeshore – MP013</b> 5162 lever included</p>	<p><b>Profile Cylinder</b> Below Handle</p> 	<p><b>American Cylinder</b> Above &amp; Below</p> 	

MULTI-POINT

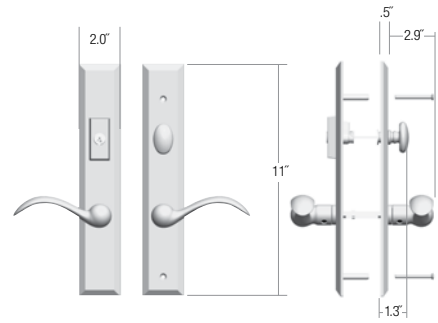
# MULTI-POINT HOW TO ORDER - STEP 1

**Cody – MP015**  
5452 lever included

**Profile Cylinder  
Below Handle**



**American Cylinder  
Above & Below**

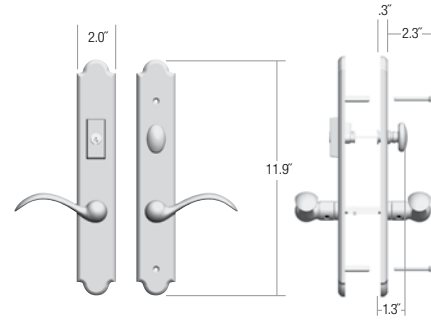


**Boulder – MP016**  
5452 lever included

**Profile Cylinder  
Below Handle**



**American Cylinder  
Above & Below**



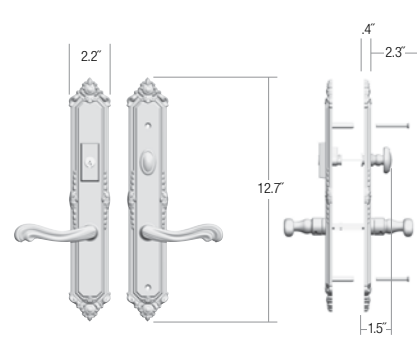
## MULTI-POINT TIER 2

**Kensington – MP003**  
5108 lever included

**Profile Cylinder  
Below Handle**



**American Cylinder  
Above & Below**

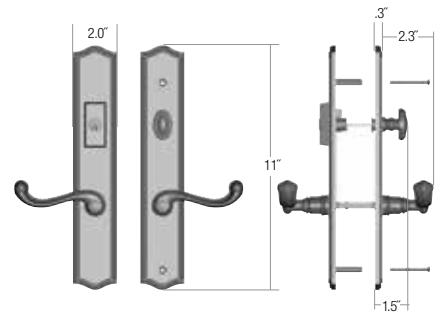


**Bristol – MP009**  
5104 lever included

**Profile Cylinder  
Below Handle**



**American Cylinder  
Above & Below**

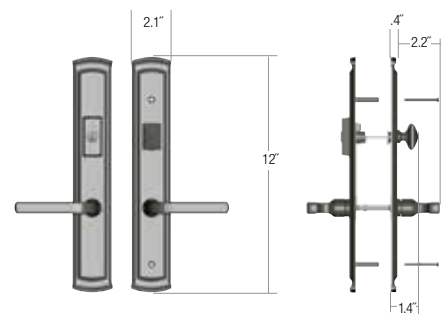


**Richland – MP011**  
5190 lever included

**Profile Cylinder  
Below Handle**



**American Cylinder  
Above & Below**



MULTI-POINT



# HOW TO ORDER, CONFIGURATION 1

**STEP 1**

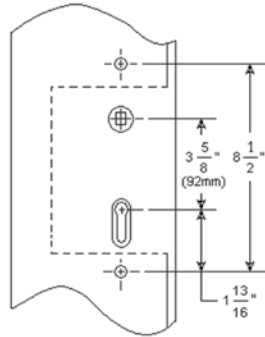
**PICK YOUR MULTI-POINT TRIM**

EXAMPLE # **MP004** . xxx . xxxx

**STEP 2**

**CHOOSE YOUR DOOR CONFIGURATION**

EXAMPLE # MP004 . xxx . xxx**1**



Configuration #	Description
Configuration 1	Profile Cylinder Below Handle — 3 5/8" (92 mm) center to center 8 1/2" center to center mounting hole location

**STEP 3**

**CHOOSE YOUR FUNCTION — CONFIGURATION #1**

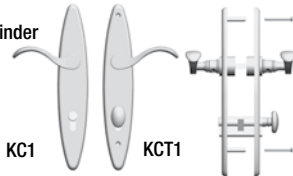
EXAMPLE # MP004 . xxx . **ACT1**

**Bismark (MP002), Boulder (MP016), Cody (MP015), Concord (MP004), Lakeshore (MP013), Springfield (MP001), Santa Monica (MP005)**  
Tier 1

**Without Levers**  
Denote with "x" at end of SKU

**ACT1**

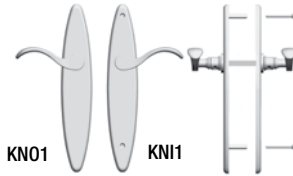
Entrance Profile Cylinder



		031		031	
		033, 034, 040	050, 060, 102	003, 055	050, 060, 102
		112, 150, 151	056, 402	003, 055	112, 150, 151
		190, 260, 264	412, 452	056, 402	190, 260, 264
				412, 452	

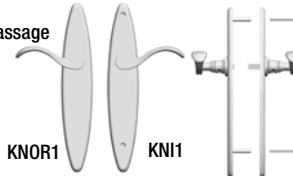
Item #	Description	031	031	031	031
<b>Entrance Profile Cylinder Multi-point</b>					
ACT1	Entry - Keyed W/ Turnknob	\$550	\$625	\$405	\$460
<b>Passage Multi-point</b>					
FDP1	Passage - Active No Cylinder or Turnknob				
<b>Half Inactive / Half Passage Multi-point</b>					
AIN1	Inactive Outside And Active Inside - Non-keyed	450	525	305	360
<b>Full Inactive Multi-point</b>					
FD1	Inactive - Non-keyed				
<b>Patio Multi-point</b>					
PAT1	Patio - Non-keyed				
<b>Multi-point, Escutcheons ONLY</b>					
KN11	KN, Cut for Knob Inside				
KN1R1	KN, Cut for Knob Inside - Rigid Lever				
KNO1	KN, Cut for Knob Outside	\$190	220	—	—
KNOR1	KN, Cut for Knob Outside - Rigid Lever				
KC1	KC, Cut for Cylinder Outside - Pro C1				
KCT1	KC, Cut for Cylinder Inside - Pro C1	210	240	—	—

**FDP1**  
Passage

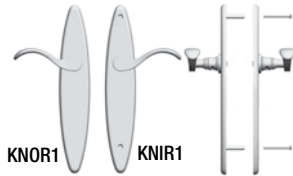


**AIN1**

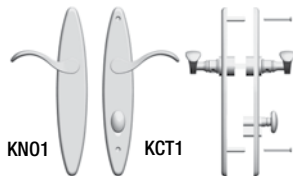
Half Inactive/Half Passage



**FD1**  
Full Inactive



**PAT1**  
Patio



**Kensington (MP003), Bristol (MP009), Richland (MP011)**  
Tier 2

**Without Levers**  
Denote with "x" at end of SKU

		031		031	
		033, 034, 040	050, 060, 102	003, 055	050, 060, 102
		112, 150, 151	056, 402	003, 055	112, 150, 151
		190, 260, 264	412, 452	056, 402	190, 260, 264
				412, 452	
<b>Entrance Profile Cylinder Multi-point</b>					
ACT1	Entry - Keyed W/ Turnknob	\$600	\$675	\$455	\$510
<b>Passage Multi-point</b>					
FDP1	Passage - Active No Cylinder Or Turnknob				
<b>Half Inactive / Half Passage Multi-point</b>					
AIN1	Inactive Outside And Active Inside - Non-keyed	500	575	355	410
<b>Full Inactive Multi-point</b>					
FD1	Inactive - Non-keyed				
<b>Patio Multi-point</b>					
PAT1	Patio - Non-keyed				
<b>Multi-point, Escutcheons ONLY</b>					
KN11	KN, Cut for Knob Inside				
KN1R1	KN, Cut for Knob Inside - Rigid Lever				
KNO1	KN, Cut for Knob Outside	\$210	240	—	—
KNOR1	KN, Cut for Knob Outside - Rigid Lever				
KC1	KC, Cut for Cylinder Outside - Pro C1				
KCT1	KC, Cut for Cylinder Inside - Pro C1	230	260	—	—

MULTI-POINT

MULTI-POINT  
**HOW TO ORDER, CONFIGURATION 1**

**STEP 3 (CONT)**

**THICK DOOR KIT — CONFIGURATION #1**

EXAMPLE # **MP000 . XXX . ACTD**

**Thick Door Kits**  
 Tier 1 & Tier 2

	Included w/standard sets							
<b>ACT1</b>	<b>1 3/4"</b>	<b>2"</b>	<b>2 1/4"</b>	<b>2 3/4"</b>	<b>2 1/2"</b>	<b>2 3/4"</b>		<b>List Price</b>
All others	MP000.xxx.ACTD	MP000.xxx.ACTD	MP000.xxx.ACTE	MP000.xxx.ACTF	MP000.xxx.ACTG	MP000.xxx.ACTG		\$120
Bismark, Kensington, Lakeshore	MP000.xxx.ACTD	MP000.xxx.ACTE	MP000.xxx.ACTE	MP000.xxx.ACTF	MP000.xxx.ACTG	MP000.xxx.ACTI		\$120
<b>PAT1</b>	<b>1 3/4"</b>	<b>2"</b>	<b>2 1/4"</b>	<b>2 3/4"</b>	<b>2 1/2"</b>	<b>2 3/4"</b>		
All others	MP000.xxx.PATJ	MP000.xxx.PATJ	MP000.xxx.PATK	MP000.xxx.PATL	MP000.xxx.PATM	MP000.xxx.PATM		\$120
Bismark, Kensington, Lakeshore	MP000.xxx.PATJ	MP000.xxx.PATK	MP000.xxx.PATK	MP000.xxx.PATL	MP000.xxx.PATM	MP000.xxx.PATO		\$120
<b>AIN Sets</b>	<b>1 3/4" – 2 1/4"</b>			<b>2 3/4" – 2 3/4"</b>				
	MP000.000.AINS	—	—	MP000.000.AINT	—	—		\$25
<b>FD Sets</b>	<b>1 3/4" – 2 1/4"</b>			<b>2 3/4" – 2 3/4"</b>				
	MP000.000.FDPTP	—	—	MP000.000.FDPTQ	—	—		\$25
<b>FDP Sets</b>	<b>1 3/4" – 2 1/4"</b>			<b>2 3/4" – 2 3/4"</b>				
	MP000.000.FDPTP	—	—	MP000.000.FDPTQ	—	—		\$25

>Baldwin Multi-Point Active & Patio trims assume 1.75" door thickness.  
 For thicker doors, please order a Thick Door kit according to the chart below. Specify cylinder finish where noted.  
 >Available cylinder finishes include ONLY 264 (Satin Chrome), 040 (Satin Brass) and 112 (Venetian Bronze).  
 >See finish chart on page 176 for cylinder finish recommendations.

- ACT kits include: 8mm to 7.3mm Conversion Spindle, Keyed Cylinder, and Cylinder Installation Hardware
- PAT kits include: 8mm to 7.3mm Conversion Spindle, Patio Cylinder, and Cylinder Installation Hardware
- AIN kits include: Half spindle, and Spindle Installation Hardware
- FDPTP kits include: 8mm to 7.3mm Conversion Spindle

MULTI-POINT

# HOW TO ORDER, CONFIGURATION 2

**STEP 1**

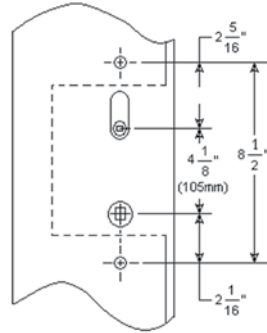
**PICK YOUR MULTI-POINT TRIM**

EXAMPLE # **MP004** . xxx . xxxx

**STEP 2**

**CHOOSE YOUR DOOR CONFIGURATION**

EXAMPLE # MP004 . xxx . xxx**2**



**Configuration # Description**

**Configuration 2 American Cylinder Above Handle —**  
**4 1/8" (105 mm) center to center**  
**8 1/2" center to center mounting hole location**

Note: turn pieces are permanently attached to the Multipoint KT plate and are not interchangeable

**STEP 3**

**CHOOSE YOUR FUNCTION — CONFIGURATION #2**

EXAMPLE # MP004 . xxx . **ACT2**

**ACT2**  
Entrance American Cylinder

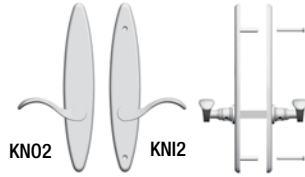


**Bismark (MP002), Boulder (MP016), Cody (MP015), Concord (MP004), Lakeshore (MP013), Springfield (MP001), Santa Monica (MP005)**  
 Tier 1

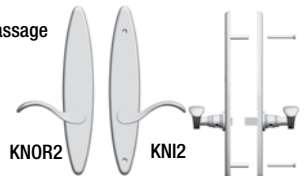
**Without Levers**  
Denote with "x" at end of SKU

Item #	Description	031		031	
		033, 034, 040	050, 060, 102	033, 034, 040	050, 060, 102
ACT2	Entry - Keyed W/ Turnknob	\$575	\$650	\$430	\$485
<b>Passage Multi-point</b>					
FDP2	Passage - Active No Cylinder Or Turnknob				
<b>Half Inactive / Half Passage Multi-point</b>					
AIN2	Inactive Outside And Active Inside - Non-keyed	450	525	305	360
<b>Full Inactive Multi-point</b>					
FD2	Inactive - Non-keyed				
<b>Patio Multi-point</b>					
PAT2	Patio - Non-keyed				
<b>Multi-point, Escutcheons ONLY</b>					
KNIR2	KN, Cut for Knob Inside - Rigid Lever	\$190	\$220	—	—
KNOR2	KN, Cut for Knob Outside - Rigid Lever				
KCA2	KC, Cut for Cylinder Outside - Ande C2	220	250	—	—
KTA2	KT, Cut for Turnpiece Inside - Ande C2	210	240	—	—

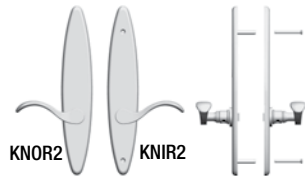
**FDP2**  
Passage



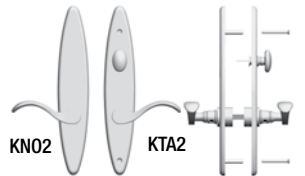
**AIN2**  
Half Inactive/Half Passage



**FD2**  
Full Inactive



**PAT2**  
Patio



**Kensington (MP003), Bristol (MP009), Richland (MP011)**  
 Tier 2

**Without Levers**  
Denote with "x" at end of SKU

Item #	Description	031		031	
		033, 034, 040	050, 060, 102	033, 034, 040	050, 060, 102
ACT2	Entry - Keyed W/ Turnknob	\$625	\$700	\$480	\$535
<b>Passage Multi-point</b>					
FDP2	Passage - Active No Cylinder Or Turnknob				
<b>Half Inactive / Half Passage Multi-point</b>					
AIN2	Inactive Outside And Active Inside - Non-keyed	500	575	355	410
<b>Full Inactive Multi-point</b>					
FD2	Inactive - Non-keyed				
<b>Patio Multi-point</b>					
PAT2	Patio - Non-keyed				
<b>Multi-point, Escutcheons ONLY</b>					
KNIR2	KN, Cut for Knob Inside - Rigid Lever	\$210	240		
KNOR2	KN, Cut for Knob Outside - Rigid Lever				
KCA2	KC, Cut for Cylinder Outside - Ande C2	240	270		
KTA2	KT, Cut for Turnpiece Inside - Ande C2	230	260		

MULTI-POINT

MULTI-POINT  
**HOW TO ORDER, CONFIGURATION 2**

**STEP 3 (CONT)**

**THICK DOOR KIT — CONFIGURATION #2**

EXAMPLE # **MP000 . XXX . ACTR**

**Thick Door Kits**  
 Tier 1 & Tier 2

	Included w/standard sets		
<b>ACT2*</b>	<b>1 3/4"</b>		<b>List Price</b>
	MP000.xxx.ACTR*	—	\$115
<b>AIN Sets</b>	<b>1.75"</b>		
	MP000.000.AINS	—	\$25
<b>AIN Sets</b>	<b>2" to 2 1/4"</b>	<b>2 3/8" to 3"</b>	
	MP000.000.AINS	MP000.000.AINT	\$25
<b>FD Sets</b>	<b>1 3/4" to 2 1/4"</b>	<b>2 3/8" to 2 3/4"</b>	
	MP000.000.FDPTP	MP000.000.FDPTQ	\$25
<b>FDP Sets</b>	<b>1 3/4" to 2 1/4"</b>	<b>2 3/8" to 2 3/4"</b>	
	MP000.000.FDPTP	MP000.000.FDPTQ	\$25

>Specify cylinder finish where noted.  
 >\*ACT2 - Finish matches trim exactly (any of the Baldwin Estate finishes)

- ACT kits include: 8mm to 7.3mm Conversion Spindle, Keyed Cylinder, and Cylinder Installation Hardware
- AIN kits include: Half spindle, and Spindle Installation Hardware
- FDPTP kits include: 8mm to 7.3mm Conversion Spindle

MULTI-POINT

# HOW TO ORDER, CONFIGURATION 3

**STEP 1**

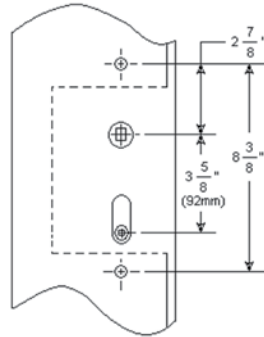
**PICK YOUR MULTI-POINT TRIM**

EXAMPLE # **MP004** . xxx . xxxx

**STEP 2**

**CHOOSE YOUR DOOR CONFIGURATION**

EXAMPLE # MP004 . xxx . xxx**3**



**Configuration # Description**

**Configuration 3 American Cylinder Below Handle —**  
**3 5/8" (92 mm) center to center**  
**8 3/8" center to center mounting hole location**

Note: turn pieces are permanently attached to the Multipoint KT plate and are not interchangeable

**STEP 3**

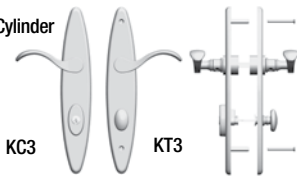
**CHOOSE YOUR FUNCTION — CONFIGURATION #3**

EXAMPLE # MP004 . xxx . **ACT3**

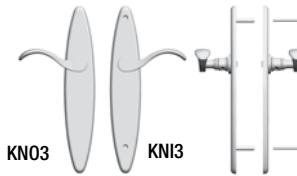
**Bismark (MP002), Boulder (MP016), Cody (MP015), Concord (MP004), Lakeshore (MP013), Springfield (MP001), Santa Monica (MP005)**  
 Tier 1

**Without Levers**  
 Denote with "x" at end of SKU

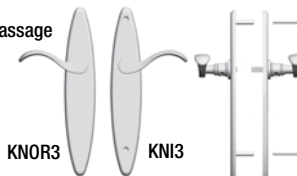
**ACT3**  
 Entrance American Cylinder



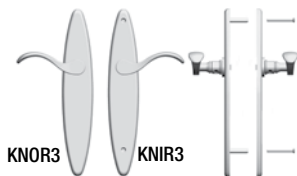
**FDP3**  
 Passage



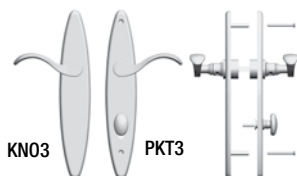
**AIN3**  
 Half Inactive/Half Passage



**FD3**  
 Full Inactive



**PAT3**  
 Patio



Item #	Description	031		031	
		033, 034, 040	050, 060, 102	033, 034, 040	050, 060, 102
		112, 150, 151	056, 402	112, 150, 151	056, 402
		190, 260, 264	412, 452	190, 260, 264	412, 452
<b>Entrance American Cylinder Multi-point</b>					
ACT3	Entry - Keyed W/ Turnknob	\$575	\$650	\$430	\$485
<b>Passage Multi-point</b>					
FDP3	Passage - Active No Cylinder Or Turnknob				
<b>Half Inactive / Half Passage Multi-point</b>					
AIN3	Inactive Outside And Active Inside - Non-keyed	450	525	305	360
<b>Full Inactive Multi-point</b>					
FD3	Inactive - Non-keyed				
<b>Patio Multi-point</b>					
PAT3	Patio - Non-keyed				
<b>Multi-point, Escutcheons ONLY</b>					
KNIR3	KN, Cut for Knob Inside				
KNIR3	KN, Cut for Knob Inside - Rigid Lever	\$190	220		
KNO3	KN, Cut for Knob Outside				
KNOR3	KN, Cut for Knob Outside - Rigid Lever				
KC3	KC, Cut for Cylinder Outside - American C3	220	250		
KT3	KT, Cut for Turnpiece Inside - American C3	210	240		
PKT3	Patio KT, Cut for Turnpiece Inside - C3				

**Kensington (MP003), Bristol (MP009), Richland (MP011)**  
 Tier 2

**Without Levers**  
 Denote with "x" at end of SKU

Item #	Description	031		031	
		033, 034, 040	050, 060, 102	033, 034, 040	050, 060, 102
		112, 150, 151	056, 402	112, 150, 151	056, 402
		190, 260, 264	412, 452	190, 260, 264	412, 452
<b>Entrance American Cylinder Multi-point</b>					
ACT3	Entry - Keyed W/ Turnknob	\$625	\$700	\$480	\$535
<b>Passage Multi-point</b>					
FDP3	Passage - Active No Cylinder Or Turnknob				
<b>Half Inactive / Half Passage Multi-point</b>					
AIN3	Inactive Outside And Active Inside - Non-keyed	500	575	355	410
<b>Full Inactive Multi-point</b>					
FD3	Inactive - Non-keyed				
<b>Patio Multi-point</b>					
PAT3	Patio - Non-keyed				
<b>Multi-point, Escutcheons ONLY</b>					
KNIR3	KN, Cut for Knob Inside				
KNIR3	KN, Cut for Knob Inside - Rigid Lever	\$210	240		
KNO3	KN, Cut for Knob Outside				
KNOR3	KN, Cut for Knob Outside - Rigid Lever				
KC3	KC, Cut for Cylinder Outside - American C3	240	270		
KT3	KT, Cut for Turnpiece Inside - American C3	230	260		
PKT3	Patio KT, Cut for Turnpiece Inside - C3				

MULTI-POINT

MULTI-POINT  
**HOW TO ORDER, CONFIGURATION 3**

**STEP 3 (CONT)**

**THICK DOOR KIT — CONFIGURATION #3**

EXAMPLE # **MP000 . XXX . ACTA**

**Thick Door Kits**  
 Tier 1 & Tier 2

	Included w/standard sets			
<b>ACT3</b>	<b>1 3/4" to 2 1/4"</b>	<b>2 3/8" to 2 1/2"</b>	<b>2 3/4"</b>	<b>List Price</b>
	MP000.xxx.ACTA	MP000.xxx.ACTB	MP000.xxx.ACTC	\$115
<b>PAT3</b>	<b>1 3/4" to 2 1/4"</b>	<b>2 3/8" to 2 3/4"</b>		
	MP000.000.FDPTP	MP000.000.FDPTQ	—	\$25
<b>AIN Sets</b>	<b>1 3/4" to 2 1/4"</b>	<b>2 3/8" to 2 3/4"</b>		
	MP000.000.AINS	MP000.000.AINT	—	\$25
<b>FD Sets</b>	<b>1 3/4" to 2 1/4"</b>	<b>2 3/8" to 2 3/4"</b>		
	MP000.000.FDPTP	MP000.000.FDPTQ	—	\$25
<b>FDP Sets</b>	<b>1 3/4" to 2 1/4"</b>	<b>2 3/8" to 2 3/4"</b>		
	MP000.000.FDPTP	MP000.000.FDPTQ	—	\$25

- > Config #3 Multi-Point come standard for 1 3/4" to 2 1/4" door thickness. For thicker doors, please order a Thick Door kit according to the chart above.
- > Specify cylinder finish where noted. Available cylinder finishes include 264 (Satin Chrome) and 040 (Satin Brass) ONLY.
- > See finish chart on page 176 for cylinder finish recommendations.

- ACT kits include: 8mm to 7.3mm Conversion Spindle, Keyed Cylinder, and Cylinder Installation Hardware
- PAT kits include: 8mm to 7.3mm Conversion Spindle
- AIN kits include: Half spindle, and Spindle Installation Hardware
- FDPTP kits include: 8mm to 7.3mm Conversion Spindle

MULTI-POINT



# HOW TO ORDER, CONFIGURATION 4

**STEP 1**

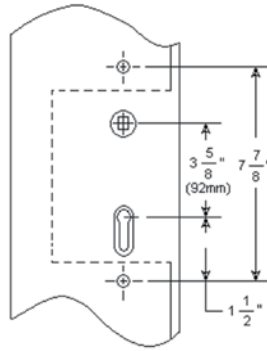
**PICK YOUR MULTI-POINT TRIM**

EXAMPLE # **MP004** . xxx . xxxx

**STEP 2**

**CHOOSE YOUR DOOR CONFIGURATION**

EXAMPLE # MP004 . xxx . xxx**4**



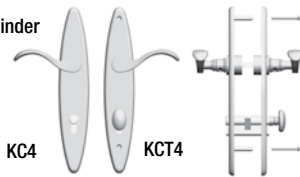
Configuration #	Description
<b>Configuration 4</b>	<b>Profile Cylinder Below Handle —</b> 3 5/8" (92 mm) center to center 7 7/8" center to center mounting hole location

**STEP 3**

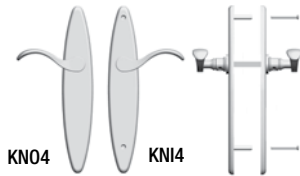
**CHOOSE YOUR FUNCTION — CONFIGURATION #4**

EXAMPLE # MP004 . xxx . **ACT4**

**ACT4**  
Entrance Profile Cylinder



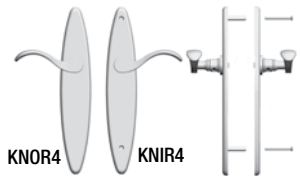
**FDP4**  
Passage



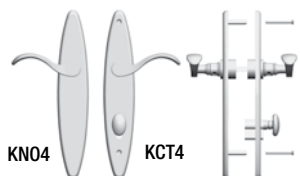
**AIN4**  
Half Inactive/Half Passage



**FD4**  
Full Inactive



**PAT4**  
Patio



**Bismark (MP002), Boulder (MP016), Cody (MP015), Concord (MP004), Lakeshore (MP013), Springfield (MP001), Santa Monica (MP005)**  
Tier 1

Item #	Description	031		Without Levers Denote with "x" at end of SKU	
		033, 034, 040 050, 060, 102 112, 150, 151 190, 260, 264	003, 055 056, 402 412, 452	033, 034, 040 050, 060, 102 112, 150, 151 190, 260, 264	003, 055 056, 402 412, 452
<b>Entrance Profile Cylinder Multi-point</b>					
ACT4	Entry - Keyed W/ Turnknob	\$550	\$625	\$405	\$460
<b>Passage Multi-point</b>					
FDP4	Passage - Active No Cylinder Or Turnknob				
<b>Half Inactive / Half Passage Multi-point</b>					
AIN4	Inactive Outside And Active Inside - Non-keyed	450	525	305	360
<b>Full Inactive Multi-point</b>					
FD4	Inactive - Non-keyed				
<b>Patio Multi-point</b>					
PAT4	Patio - Non-keyed				
<b>Multi-point, Escutcheons ONLY</b>					
KN14	KN, Cut for Knob Inside				
KN1R4	KN, Cut for Knob Inside - Rigid Lever				
KN04	KN, Cut for Knob Outside	\$190	220		
KNOR4	KN, Cut for Knob Outside - Rigid Lever				
KC4	KC, Cut for Cylinder Outside - Pro C4	210	240		
KCT4	KC, Cut for Cylinder Inside - Pro C4				

**Kensington (MP003), Bristol (MP009), Richland (MP011)**  
Tier 2

Item #	Description	031		Without Levers Denote with "x" at end of SKU	
		033, 034, 040 050, 060, 102 112, 150, 151 190, 260, 264	003, 055 056, 402 412, 452	033, 034, 040 050, 060, 102 112, 150, 151 190, 260, 264	003, 055 056, 402 412, 452
<b>Entrance Profile Cylinder Multi-point</b>					
ACT4	Entry - Keyed W/ Turnknob	\$600	\$675	\$455	\$510
<b>Passage Multi-point</b>					
FDP4	Passage - Active No Cylinder Or Turnknob				
<b>Half Inactive / Half Passage Multi-point</b>					
AIN4	Inactive Outside And Active Inside - Non-keyed	500	575	355	410
<b>Full Inactive Multi-point</b>					
FD4	Inactive - Non-keyed				
<b>Patio Multi-point</b>					
PAT4	Patio - Non-keyed				
<b>Multi-point, Escutcheons ONLY</b>					
KN14	KN, Cut for Knob Inside				
KN1R4	KN, Cut for Knob Inside - Rigid Lever				
KN04	KN, Cut for Knob Outside	\$210	\$240		
KNOR4	KN, Cut for Knob Outside - Rigid Lever				
KC4	KC, Cut for Cylinder Outside - Pro C4	230	260		
KCT4	KC, Cut for Cylinder Inside - Pro C4				

MULTI-POINT

MULTI-POINT  
**HOW TO ORDER, CONFIGURATION 4**

**STEP 3 (CONT)**

**THICK DOOR KIT — CONFIGURATION #4**

EXAMPLE # **MP000 . XXX . ACTD**

**Thick Door Kits**  
 Tier 1 & Tier 2

	Included w/standard sets						
<b>ACT4</b>	<b>1 3/4"</b>	<b>2"</b>	<b>2 1/4"</b>	<b>2 3/4"</b>	<b>2 1/2"</b>	<b>2 3/4"</b>	<b>List Price</b>
All others	MP000.xxx.ACTD	MP000.xxx.ACTD	MP000.xxx.ACTE	MP000.xxx.ACTF	MP000.xxx.ACTG	MP000.xxx.ACTG	\$120
Bismark, Kensington, Lakeshore	MP000.xxx.ACTD	MP000.xxx.ACTE	MP000.xxx.ACTE	MP000.xxx.ACTF	MP000.xxx.ACTG	MP000.xxx.ACTI	\$120
<b>PAT4</b>	<b>1 3/4"</b>	<b>2"</b>	<b>2 1/4"</b>	<b>2 3/4"</b>	<b>2 1/2"</b>	<b>2 3/4"</b>	
All others	MP000.xxx.PATJ	MP000.xxx.PATJ	MP000.xxx.PATK	MP000.xxx.PATL	MP000.xxx.PATM	MP000.xxx.PATM	\$120
Bismark, Kensington, Lakeshore	MP000.xxx.PATJ	MP000.xxx.PATK	MP000.xxx.PATK	MP000.xxx.PATL	MP000.xxx.PATM	MP000.xxx.PATO	\$120
<b>AIN Sets</b>	<b>1 3/4" to 2 1/4"</b>			<b>2 3/4" to 2 3/4"</b>			
	MP000.000.AINS	—	—	MP000.000.AINT	—	—	\$25
<b>FD Sets</b>	<b>1 3/4" to 2 1/4"</b>			<b>2 3/4" to 2 3/4"</b>			
	MP000.000.FDPTP	—	—	MP000.000.FDPTQ	—	—	\$25
<b>FDP Sets</b>	<b>1 3/4" to 2 1/4"</b>			<b>2 3/4" to 2 3/4"</b>			
	MP000.000.FDPTP	—	—	MP000.000.FDPTQ	—	—	\$25

> Config #4 Multi-Point Active and Patio trims assume 1.75" door thickness. For thicker doors, please order a Thick Door kit according to the chart above.

Specify cylinder finish where noted.

> Available cylinder finishes include ONLY 264 (Satin Chrome), 040 (Satin Brass) and 112 (Venetian Bronze).

> See finish chart on page 176 for cylinder finish recommendations.

ACT kits include: 8mm to 7.3mm Conversion Spindle, Keyed Cylinder, and Cylinder Installation Hardware

PAT kits include: 8mm to 7.3mm Conversion Spindle, Patio Cylinder and Cylinder Installation Hardware

AIN kits include: Half spindle, and Spindle Installation Hardware

FDPTP kits include: 8mm to 7.3mm Conversion Spindle

MULTI-POINT

# HOW TO ORDER, CONFIGURATION 5

**STEP 1**

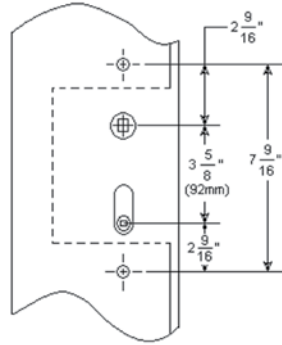
**PICK YOUR MULTI-POINT TRIM**

EXAMPLE # **MP004** . xxx . xxxX

**STEP 2**

**CHOOSE YOUR DOOR CONFIGURATION**

EXAMPLE # MP004 . xxx . xxx**5**



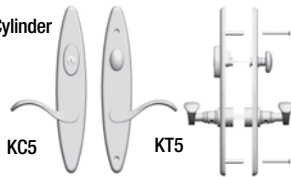
**Configuration # Description**  
**Configuration 5 American Cylinder Above or Below Handle —**  
 3 5/8" (92 mm) center to center  
 7 9/16" center to center mounting hole location

**STEP 3**

**CHOOSE YOUR FUNCTION — CONFIGURATION #5**

EXAMPLE # MP004 . xxx . **ACT5**

**ACT5**  
Entrance American Cylinder

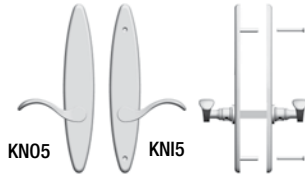


**Bismark (MP002), Boulder (MP016), Cody (MP015), Concord (MP004), Lakeshore (MP013), Springfield (MP001), Santa Monica (MP005)**  
Tier 1

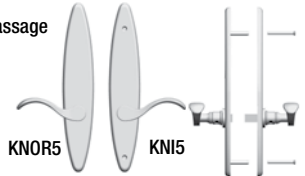
**Without Levers**  
Denote with "x" at end of SKU

Item #	Description	031		031	
		033, 034, 040	050, 060, 102	033, 034, 040	050, 060, 102
		003, 055	003, 055	003, 055	003, 055
		112, 150, 151	056, 402	112, 150, 151	056, 402
		190, 260, 264	412, 452	190, 260, 264	412, 452
<b>Entrance American Cylinder Multi-point</b>					
ACT5	Entry - Keyed W/ Turnknob	\$575	650	430	485
<b>Passage Multi-point</b>					
FDP5	Passage - Active No Cylinder Or Turnknob				
<b>Half Inactive / Half Passage Multi-point</b>					
AIN5	Inactive Outside And Active Inside - Non-keyed	450	525	305	360
<b>Full Inactive Multi-point</b>					
FD5	Inactive - Non-keyed				
<b>Patio Multi-point</b>					
PAT5	Patio - Non-keyed				
<b>Multi-point, Escutcheons ONLY</b>					
KNIR5	KN, Cut for Knob Inside				
KNIR5	KN, Cut for Knob Inside - Rigid Lever	\$190	220		
KNOR5	KN, Cut for Knob Outside				
KNOR5	KN, Cut for Knob Outside - Rigid Lever				
KC5	KC, Cut for Cylinder Outside - American C5	220	250		
KT5	KT, Cut for Turnpiece Inside - American C5	210	240		
PKT5	Patio KT, Cut for Turnpiece Inside - C5				

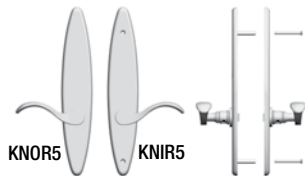
**FDP5**  
Passage



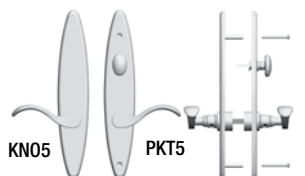
**AIN5**  
Half Inactive/Half Passage



**FD5**  
Full Inactive



**PAT5**  
Patio



**Kensington (MP003), Bristol (MP009), Richland (MP011)**  
Tier 2

**Without Levers**  
Denote with "x" at end of SKU

Item #	Description	031		031	
		033, 034, 040	050, 060, 102	033, 034, 040	050, 060, 102
		003, 055	003, 055	003, 055	003, 055
		112, 150, 151	056, 402	112, 150, 151	056, 402
		190, 260, 264	412, 452	190, 260, 264	412, 452
<b>Entrance American Cylinder Multi-point</b>					
ACT5	Entry - Keyed W/ Turnknob	\$625	700	480	535
<b>Passage Multi-point</b>					
FDP5	Passage - Active No Cylinder Or Turnknob				
<b>Half Inactive / Half Passage Multi-point</b>					
AIN5	Inactive Outside And Active Inside - Non-keyed	500	575	355	410
<b>Full Inactive Multi-point</b>					
FD5	Inactive - Non-keyed				
<b>Patio Multi-point</b>					
PAT5	Patio - Non-keyed				
<b>Multi-point, Escutcheons ONLY</b>					
KNIR5	KN, Cut for Knob Inside				
KNIR5	KN, Cut for Knob Inside - Rigid Lever	\$210	240		
KNOR5	KN, Cut for Knob Outside				
KNOR5	KN, Cut for Knob Outside - Rigid Lever				
KC5	KC, Cut for Cylinder Outside - American C5	240	270		
KT5	KT, Cut for Turnpiece Inside - American C5	230	260		
PKT5	Patio KT, Cut for Turnpiece Inside - C5				

MULTI-POINT

NOTE: #5 cylinder to spindle orientation is reversible, works for both above and below handle mounting.

MULTI-POINT  
**HOW TO ORDER, CONFIGURATION 5**

**STEP 3 (CONT)**

**THICK DOOR KIT — CONFIGURATION #5**

EXAMPLE # **MP000 . XXX . ACTA**

**Thick Door Kits**  
 Tier 1 & Tier 2

	Included w/standard sets			
<b>ACT5</b>	<b>1 3/4" to 2 1/4"</b>	<b>2 3/8" to 2 1/2"</b>	<b>2 3/4"</b>	<b>List Price</b>
	MP000.xxx.ACTA	MP000.xxx.ACTB	MP000.xxx.ACTC	\$115
<b>PAT5</b>	<b>1 3/4" to 2 1/4"</b>	<b>2 3/8" to 2 3/4"</b>		
	MP000.000.FDPTP	MP000.000.FDPTQ	—	\$25
<b>AIN Sets</b>	<b>1 3/4" to 2 1/4"</b>	<b>2 3/8" to 2 3/4"</b>		
	MP000.000.AINS	MP000.000.AINT	—	\$25
<b>FD Sets</b>	<b>1 3/4" to 2 1/4"</b>	<b>2 3/8" to 2 3/4"</b>		
	MP000.000.FDPTP	MP000.000.FDPTQ	—	\$25
<b>FDP Sets</b>	<b>1 3/4" to 2 1/4"</b>	<b>2 3/8" to 2 3/4"</b>		
	MP000.000.FDPTP	MP000.000.FDPTQ	—	\$25

>Config #5 Multi-Point trims come standard for 1 3/4" to 2 1/4" door thickness. For thicker doors, please order a Thick Door kit according to the chart above. Specify cylinder finish where noted.  
 >Available cylinder finishes include 264 (Satin Chrome) and 040 (Satin Brass) ONLY.  
 >See finish chart on page 176 for cylinder finish recommendations.

- ACT kits include: 8mm to 7.3mm Conversion Spindle, Keyed Cylinder, and Cylinder Installation Hardware
- PAT kits include: 8mm to 7.3mm Conversion Spindle
- AIN kits include: Half spindle, and Spindle Installation Hardware
- FDPTP kits include: 8mm to 7.3mm Conversion Spindle

MULTI-POINT

# HOW TO ORDER, CONFIGURATION 6

**STEP 1**

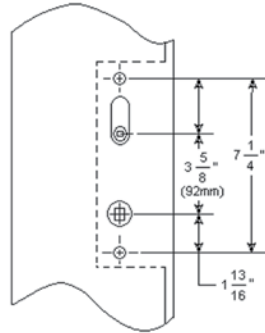
**PICK YOUR MULTI-POINT TRIM**

EXAMPLE # **MP004** . xxx . XXXX

**STEP 2**

**CHOOSE YOUR DOOR CONFIGURATION**

EXAMPLE # MP004 . xxx . xxx**6**



**Configuration # Description**

**Configuration 6 American Cylinder Above Handle —**  
**3 5/8" (92 mm) center to center**  
**7 1/4" center to center mounting hole location**

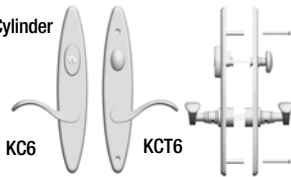
Note: turn pieces are permanently attached to the Multipoint KT plate and are not interchangeable

**STEP 3**

**CHOOSE YOUR FUNCTION — CONFIGURATION #6**

EXAMPLE # MP004 . xxx . **ACT6**

**ACT6**  
Entrance American Cylinder

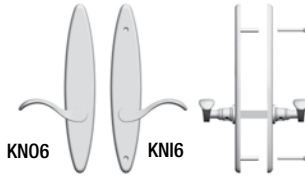


**Bismark (MP002), Boulder (MP016), Cody (MP015), Concord (MP004), Lakeshore (MP013), Springfield (MP001), Santa Monica (MP005)**  
 Tier 1

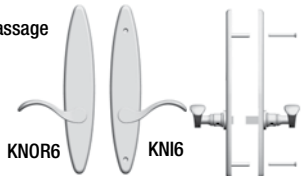
**Without Levers**  
Denote with "X" at end of SKU

Item #	Description	031		031	
		033, 034, 040	050, 060, 102	003, 055	056, 402
ACT6	Entry - Keyed W/ Turnknob	\$575	650	430	485
<b>Passage Multi-point</b>					
FDP6	Passage - Active No Cylinder Or Turnknob				
<b>Half Inactive / Half Passage Multi-point</b>					
AIN6	Inactive Outside And Active Inside - Non-keyed	450	525	305	360
<b>Full Inactive Multi-point</b>					
FD6	Inactive - Non-keyed				
<b>Patio Multi-point</b>					
PAT6	Patio - Non-keyed				
<b>Multi-point, Escutcheons ONLY</b>					
KNIR6	KN, Cut for Knob Inside				
KNOR6	KN, Cut for Knob Outside - Rigid Lever	\$190	220		
KN06	KN, Cut for Knob Outside				
KNOR6	KN, Cut for Knob Outside - Rigid Lever				
KC6	KC, Cut for Cylinder Outside - American C6	220	250		
KT6	KT, Cut for Turnpiece Inside - American C6	210	240		
PKT6	Patio KT, Cut for Turnpiece Inside - C6				

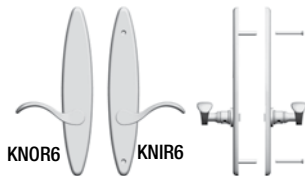
**FDP6**  
Passage



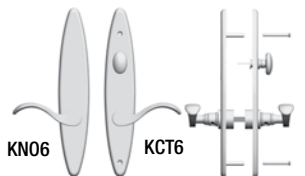
**AIN6**  
Half Inactive/Half Passage



**FD6**  
Full Inactive



**PAT6**  
Patio



**Kensington (MP003), Bristol (MP009), Richland (MP011)**  
 Tier 2

**Without Levers**  
Denote with "X" at end of SKU

Item #	Description	031		031	
		033, 034, 040	050, 060, 102	003, 055	056, 402
ACT6	Entry - Keyed W/ Turnknob	\$625	700	480	535
<b>Passage Multi-point</b>					
FDP6	Passage - Active No Cylinder Or Turnknob				
<b>Half Inactive / Half Passage Multi-point</b>					
AIN6	Inactive Outside And Active Inside - Non-keyed	500	575	355	410
<b>Full Inactive Multi-point</b>					
FD6	Inactive - Non-keyed				
<b>Patio Multi-point</b>					
PAT6	Patio - Non-keyed				
<b>Multi-point, Escutcheons ONLY</b>					
KNIR6	KN, Cut for Knob Inside				
KNOR6	KN, Cut for Knob Outside - Rigid Lever	\$210	240		
KN06	KN, Cut for Knob Outside				
KNOR6	KN, Cut for Knob Outside - Rigid Lever				
KC6	KC, Cut for Cylinder Outside - American C6	240	270		
KT6	KT, Cut for Turnpiece Inside - American C6	230	260		
PKT6	Patio KT, Cut for Turnpiece Inside - C6				

MULTI-POINT

MULTI-POINT  
**HOW TO ORDER, CONFIGURATION 6**

**STEP 3 (CONT)**

**THICK DOOR KIT — CONFIGURATION #6**

EXAMPLE # **MP000 . XXX . ACTA**

**Thick Door Kits**  
 Tier 1 & Tier 2

	Included w/standard sets			
<b>ACT6</b>	<b>1 3/4" to 2 1/4"</b>	<b>2 3/8" to 2 1/2"</b>	<b>2 3/4"</b>	<b>List Price</b>
	MP000.xxx.ACTA	MP000.xxx.ACTB	MP000.xxx.ACTC	\$120
<b>PAT6</b>	<b>1 3/4" to 2 1/4"</b>	<b>2 3/8" to 2 3/4"</b>		
	MP000.000.FDPTP	MP000.000.FDPTQ	—	\$25
<b>AIN Sets</b>	<b>1 3/4" to 2 1/4"</b>	<b>2 3/8" to 2 3/4"</b>		
	MP000.000.AINS	MP000.000.AINT	—	\$25
<b>FD Sets</b>	<b>1 3/4" to 2 1/4"</b>	<b>2 3/8" to 2 3/4"</b>		
	MP000.000.FDPTP	MP000.000.FDPTQ	—	\$25
<b>FDP Sets</b>	<b>1 3/4" to 2 1/4"</b>	<b>2 3/8" to 2 3/4"</b>		
	MP000.000.FDPTP	MP000.000.FDPTQ	—	\$25

>Config #6 Multi-Point trims come standard for 1 3/4" to 2 1/4" door thickness. For thicker doors, please order a Thick Door kit according to the chart above. Specify cylinder finish where noted.  
 >Available cylinder finishes include 264 (Satin Chrome) and 040 (Satin Brass) ONLY.  
 >See finish chart on page 176 for cylinder finish recommendations.

- ACT kits include: 8mm to 7.3mm Conversion Spindle, Keyed Cylinder, and Cylinder Installation Hardware
- PAT kits include: 8mm to 7.3mm Conversion Spindle
- AIN kits include: Half spindle, and Spindle Installation Hardware
- FDPTP kits include: 8mm to 7.3mm Conversion Spindle

MULTI-POINT



# EUROPEAN MORTISE HOW TO ORDER, EUROPEAN MORTISE

## STEP 1

### PICK YOUR MORTISE TRIM

EXAMPLE # **MP004** . xxx . **xxx7**

Trim Code	Description
MP001	Springfield European Mortise Trim
MP002	Bismark European Mortise Trim
MP003	Kensington European Mortise Trim
MP004	Concord European Mortise Trim
MP009	Bristol European Mortise Trim
MP011	Richland European Mortise Trim
MP013	Lakeshore European Mortise Trim
MP015	Cody European Mortise Trim
MP016	Boulder European Mortise Trim

## STEP 2

### CHOOSE YOUR DOOR CONFIGURATION

EXAMPLE # MP004 . xxx . **xxx7**

Configuration #	Description	Measurement	Page
Configuration 7	European Mortise	72mm CTC,	
Configuration 8	European Mortise	85mm CTC,	

## STEP 3

### CHOOSE YOUR FUNCTION

EXAMPLE # MP004 . xxx . **ACT**

Function Code	Description
ACT	Entry, keyed w/ turnknob (supplied w/ cylinder for 1 3/4" door thickness)
FDP	Passage, active, no cylinder or turnknob
AIN	Inactive outside and active inside- non-keyed
FD	Inactive, non-keyed
PAT	Patio, non-keyed

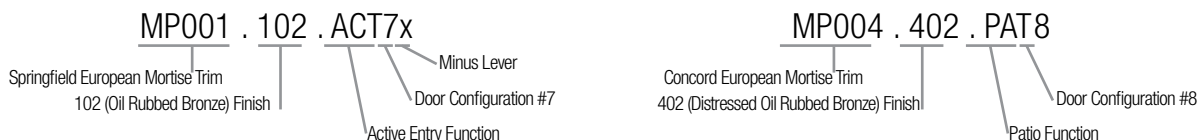
## STEP 4

### SPECIFY MINUS LEVER OPTION, IF DESIRED:

EXAMPLE # MP004 . xxx . **ACTx**

Add "x" to suffix for minus lever option.  
Otherwise trim ships with stock lever choice as shown.

**Examples:**



## STEP 5

### IF A LEVER OTHER THAN THE STANDARD IS DESIRED

Order a trim without levers and order levers separately.

## STEP 6

### IF SPLIT FINISH, ORDER COMPONENTS SEPARATELY

Escutcheon, lever, kit will be priced separately

**RECOMMENDED CYLINDER FINISHES**

RECOMMENDED FINISHES	ORIGINAL FINISHES
040	003, 031, 033, 034, 060, 040, 050
112	412, 102, 190, 402, 112
264	055, 056, 150, 151, 260, 264, 452

MULTI-POINT

EUROPEAN MORTISE  
**HOW TO ORDER, STEP 1**

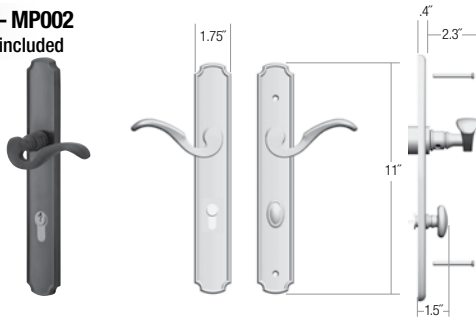
**STEP 1**

**PICK YOUR MORTISE TRIM**

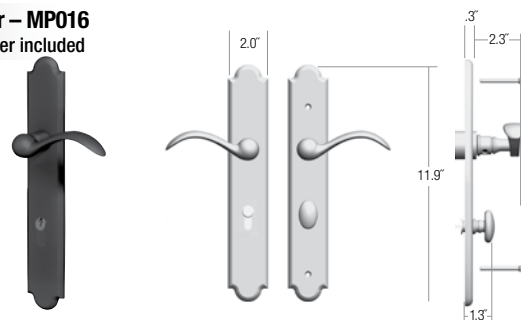
EXAMPLE # **MP004** . XXX . XXXX

**Mortise – Tier 1**

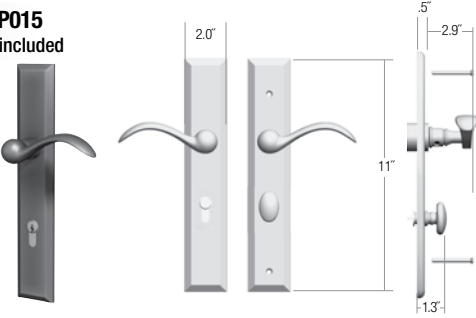
**Bismark – MP002**  
 5152 lever included



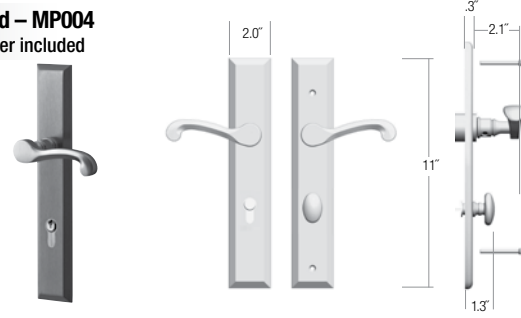
**Boulder – MP016**  
 5452 lever included



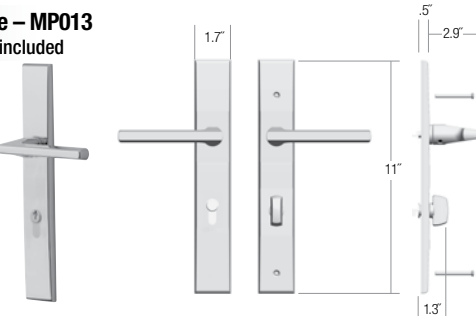
**Cody – MP015**  
 5452 lever included



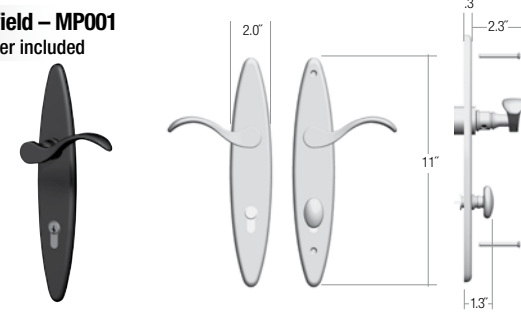
**Concord – MP004**  
 5445 lever included



**Lakeshore – MP013**  
 5162 lever included



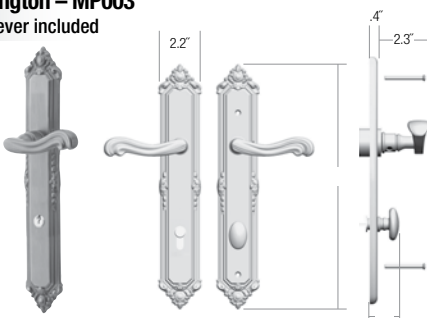
**Springfield – MP001**  
 5455 lever included



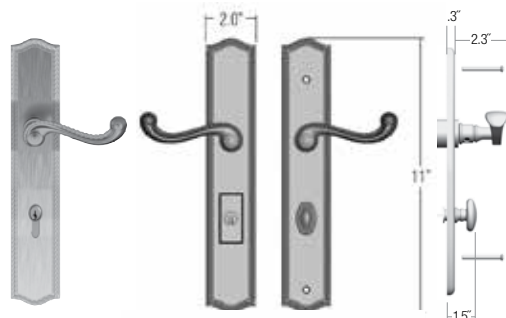
MULTI-POINT

**Mortise – Tier 2**

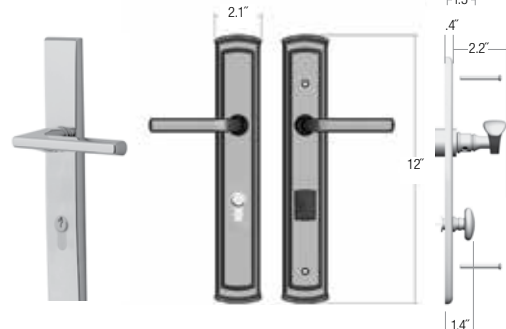
**Kensington – MP003**  
 5108 lever included



**Bristol – MP009**  
 5104 lever included

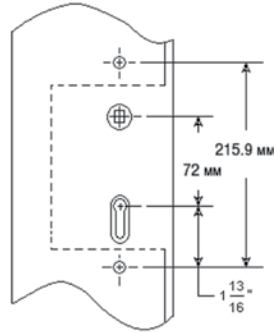


**Richland – MP011**  
 5190 lever included



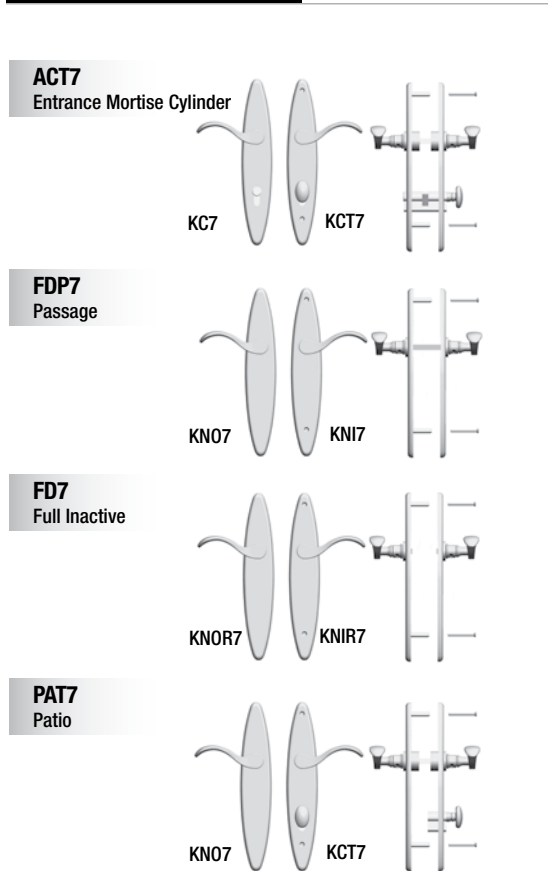
# EUROPEAN MORTISE HOW TO ORDER, CONFIGURATION 7

<b>STEP 1</b>	<b>PICK YOUR MORTISE TRIM</b>	EXAMPLE # <b>MP004</b> . xxx . xxxX
<b>STEP 2</b>	<b>CHOOSE YOUR DOOR CONFIGURATION</b>	EXAMPLE # MP004 . xxx . xxx <b>7</b>



Configuration #	Description
Configuration 7	European Mortise Cylinder — 72mm center to center 215.9 mm center to center mounting hole location

<b>STEP 3</b>	<b>CHOOSE YOUR FUNCTION — CONFIGURATION #7</b>	EXAMPLE # MP004 . xxx . <b>ACT7</b>
---------------	--	-------------------------------------



**Bismark (MP002), Boulder (MP016), Cody (MP015), Concord (MP004), Lakeshore (MP013), Springfield (MP001)**  
Tier 1

Item #	Description	Without Levers <small>Denote with "x" at end of SKU</small>			
		031 033, 034, 040 050, 060, 102 112, 150, 151 190, 260, 264	003, 055 056, 402 412, 452	031 033, 034, 040 050, 060, 102 112, 150, 151 190, 260, 264	003, 055 056, 402 412, 452
<b>Entrance Mortise Cylinder European Mortise</b>					
ACT7	Entry - Keyed W/ Turnknob	\$550	\$625	\$405	\$460
<b>Passage European Mortise</b>					
FDP7	Passage - Active No Cylinder Or Turnknob				
<b>Full Inactive European Mortise</b>					
FD7	Inactive - Non-keyed	450	525	305	360
<b>Patio European Mortise</b>					
PAT7	Patio - Non-keyed				
<b>Escutcheons ONLY</b>					
KN17	KN, Cut for Knob Inside				
KN17R	KN, Cut for Knob Inside - Rigid Lever				
KN07	KN, Cut for Knob Outside	\$190	\$220		
KN07R	KN, Cut for Knob Outside - Rigid Lever				
KC7	KC, Cut for Cylinder Outside - Pro C1	210	240		
KC7	KC, Cut for Cylinder Inside - Pro C1				

**Kensington (MP003), Bristol (MP009), Richland (MP011)**  
Tier 2

Item #	Description	Without Levers <small>Denote with "x" at end of SKU</small>			
		031 033, 034, 040 050, 060, 102 112, 150, 151 190, 260, 264	003, 055 056, 402 412, 452	031 033, 034, 040 050, 060, 102 112, 150, 151 190, 260, 264	003, 055 056, 402 412, 452
<b>Entrance Mortise Cylinder European Mortise</b>					
ACT7	Entry - Keyed W/ Turnknob	\$600	\$675	\$455	\$510
<b>Passage European Mortise</b>					
FDP7	Passage - Active No Cylinder Or Turnknob				
<b>Full Inactive European Mortise</b>					
FD7	Inactive - Non-keyed	500	575	355	410
<b>Patio European Mortise</b>					
PAT7	Patio - Non-keyed				
<b>Escutcheons ONLY</b>					
KN17	KN, Cut for Knob Inside				
KN17R	KN, Cut for Knob Inside - Rigid Lever				
KN07	KN, Cut for Knob Outside	\$210	\$240		
KN07R	KN, Cut for Knob Outside - Rigid Lever				
KC7	KC, Cut for Cylinder Outside - Pro C1	230	260		
KC7	KC, Cut for Cylinder Inside - Pro C1				

MULTI-POINT

EUROPEAN MORTISE  
**HOW TO ORDER, CONFIGURATION 7**

**STEP 3 (CONT)**

**THICK DOOR KIT — CONFIGURATION #7**

EXAMPLE # **MP000 . XXX . ACTD**

**Thick Door Kits**  
 Tier 1 & Tier 2

	Included w/standard sets						
<b>ACT1</b>	<b>1 ¾"</b>	<b>2"</b>	<b>2 ¼"</b>	<b>2 ⅝"</b>	<b>2 ½"</b>	<b>2 ¾"</b>	<b>List Price</b>
All others	MP000.xxx.ACTD	MP000.xxx.ACTD	MP000.xxx.ACTE	MP000.xxx.ACTF	MP000.xxx.ACTG	MP000.xxx.ACTG	\$120
Bismark, Kensington, Lakeshore	MP000.xxx.ACTD	MP000.xxx.ACTE	MP000.xxx.ACTE	MP000.xxx.ACTF	MP000.xxx.ACTG	MP000.xxx.ACTI	\$120
<b>PAT1</b>	<b>1 ¾"</b>	<b>2"</b>	<b>2 ¼"</b>	<b>2 ⅝"</b>	<b>2 ½"</b>	<b>2 ¾"</b>	
All others	MP000.xxx.PATJ	MP000.xxx.PATJ	MP000.xxx.PATK	MP000.xxx.PATL	MP000.xxx.PATM	MP000.xxx.PATM	\$120
Bismark, Kensington, Lakeshore	MP000.xxx.PATJ	MP000.xxx.PATK	MP000.xxx.PATK	MP000.xxx.PATL	MP000.xxx.PATM	MP000.xxx.PATO	\$120
<b>FD Sets</b>	<b>1 ¾" to 2 ¼"</b>			<b>2 ⅝" to 2 ¾"</b>			
	MP000.000.FDPTP	—	—	MP000.000.FDPTQ	—	—	\$25
<b>FDP Sets</b>	<b>1 ¾" to 2 ¼"</b>			<b>2 ⅝" to 2 ¾"</b>			
	MP000.000.FDPTP	—	—	MP000.000.FDPTQ	—	—	\$25

- >Baldwin European Mortise trims assume 1.75" door thickness.
- >For thicker doors, please order a Thick Door kit according to the chart below.  
 Specify cylinder finish where noted.
- >Available cylinder finishes include ONLY 264 (Satin Chrome), 040 (Satin Brass) and 112 (Venetian Bronze).
- >See finish chart on page 156 for cylinder finish recommendations.

ACT kits include: 8mm to 7.3mm Conversion Spindle, Keyed Cylinder, and Cylinder Installation Hardware  
 PAT kits include: 8mm to 7.3mm Conversion Spindle, Patio Cylinder, and Cylinder Installation Hardware  
 FDPTP kits include: 8mm to 7.3mm Conversion Spindle

MULTI-POINT

# HOW TO ORDER, CONFIGURATION 8

**STEP 1**

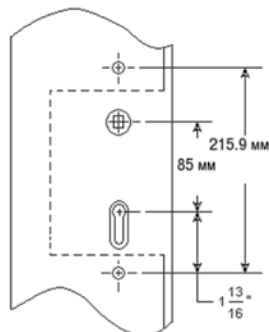
**PICK YOUR MORTISE TRIM**

EXAMPLE # **MP004** . xxx . xxxX

**STEP 2**

**CHOOSE YOUR DOOR CONFIGURATION**

EXAMPLE # MP004 . xxx . xxx**8**



Configuration #	Description
Configuration 8	European Mortise Cylinder — 85mm center to center 215.9 mm center to center mounting hole location

**STEP 3**

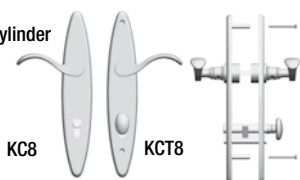
**CHOOSE YOUR FUNCTION — CONFIGURATION #8**

EXAMPLE # MP004 . xxx . **ACT8**

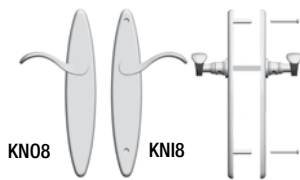
**Bismark (MP002), Boulder (MP016), Cody (MP015), Concord (MP004), Lakeshore (MP013), Springfield (MP001)**  
Tier 1

**Without Levers**  
Denote with "x" at end of SKU

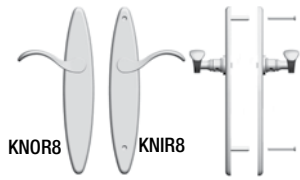
**ACT8**  
Entrance Mortise Cylinder



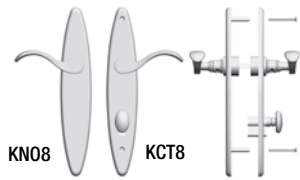
**FDP8**  
Passage



**FD8**  
Full Inactive



**PAT8**  
Patio



Item #	Description	031		031	
		033, 034, 040	050, 060, 102	033, 034, 040	050, 060, 102
ACT8	Entrance Mortise Cylinder European Mortise Entry - Keyed W/ Turnknob	\$550	\$625	\$405	\$460
FDP8	Passage European Mortise Passage - Active No Cylinder Or Turnknob				
FD8	Full Inactive European Mortise Inactive - Non-keyed	450	525	305	360
PAT8	Patio European Mortise Patio - Non-keyed				
<b>Escutcheons ONLY</b>					
KNIR8	KN, Cut for Knob Inside - Rigid Lever	\$190	220		
KNOR8	KN, Cut for Knob Outside - Rigid Lever				
KC8	KC, Cut for Cylinder Outside - Pro C1	210	240		
KCT8	KC, Cut for Cylinder Inside - Pro C1				

**Kensington (MP003), Bristol (MP009), Richland (MP011)**  
Tier 2

**Without Levers**  
Denote with "x" at end of SKU

Item #	Description	031		031	
		033, 034, 040	050, 060, 102	033, 034, 040	050, 060, 102
ACT8	Entrance Mortise Cylinder European Mortise Entry - Keyed W/ Turnknob	\$600	\$675	\$455	\$510
FDP8	Passage European Mortise Passage - Active No Cylinder Or Turnknob				
FD8	Full Inactive European Mortise Inactive - Non-keyed	500	575	355	410
PAT8	Patio European Mortise Patio - Non-keyed				
<b>Escutcheons ONLY</b>					
KNIR8	KN, Cut for Knob Inside - Rigid Lever	\$210	240		
KNOR8	KN, Cut for Knob Outside - Rigid Lever				
KC8	KC, Cut for Cylinder Outside - Pro C1	230	260		
KCT8	KC, Cut for Cylinder Inside - Pro C1				

MULTI-POINT

EUROPEAN MORTISE  
**HOW TO ORDER, CONFIGURATION 8**

**STEP 3 (CONT)**

**THICK DOOR KIT — CONFIGURATION #8**

EXAMPLE # **MP000 . XXX . ACTD**

**Thick Door Kits**  
 Tier 1 & Tier 2

	Included w/standard sets						
<b>ACT1</b>	<b>1 ¾"</b>	<b>2"</b>	<b>2 ¼"</b>	<b>2 ⅝"</b>	<b>2 ½"</b>	<b>2 ¾"</b>	<b>List Price</b>
All others	MP000.xxx.ACTD	MP000.xxx.ACTD	MP000.xxx.ACTE	MP000.xxx.ACTF	MP000.xxx.ACTG	MP000.xxx.ACTG	\$120
Bismark, Kensington, Lakeshore	MP000.xxx.ACTD	MP000.xxx.ACTE	MP000.xxx.ACTE	MP000.xxx.ACTF	MP000.xxx.ACTG	MP000.xxx.ACTI	\$120
<b>PAT1</b>	<b>1 ¾"</b>	<b>2"</b>	<b>2 ¼"</b>	<b>2 ⅝"</b>	<b>2 ½"</b>	<b>2 ¾"</b>	
All others	MP000.xxx.PATJ	MP000.xxx.PATJ	MP000.xxx.PATK	MP000.xxx.PATL	MP000.xxx.PATM	MP000.xxx.PATM	\$120
Bismark, Kensington, Lakeshore	MP000.xxx.PATJ	MP000.xxx.PATK	MP000.xxx.PATK	MP000.xxx.PATL	MP000.xxx.PATM	MP000.xxx.PATO	\$120
<b>FD Sets</b>	<b>1 ¾" to 2 ¼"</b>			<b>2 ⅝" to 2 ¾"</b>			
	MP000.000.FDPTP	—	—	MP000.000.FDPTQ	—	—	\$25
<b>FDP Sets</b>	<b>1 ¾" to 2 ¼"</b>			<b>2 ⅝" to 2 ¾"</b>			
	MP000.000.FDPTP	—	—	MP000.000.FDPTQ	—	—	\$25

- >Baldwin European Mortise trims assume 1.75" door thickness.
- >For thicker doors, please order a Thick Door kit according to the chart below.  
 Specify cylinder finish where noted.
- >Available cylinder finishes include ONLY 264 (Satin Chrome), 040 (Satin Brass) and 112 (Venetian Bronze).
- >See finish chart on page 156 for cylinder finish recommendations.

ACT kits include: 8mm to 7.3mm Conversion Spindle, Keyed Cylinder, and Cylinder Installation Hardware  
 PAT kits include: 8mm to 7.3mm Conversion Spindle, Patio Cylinder, and Cylinder Installation Hardware  
 FDPTP kits include: 8mm to 7.3mm Conversion Spindle

MULTI-POINT





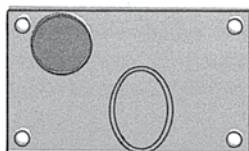
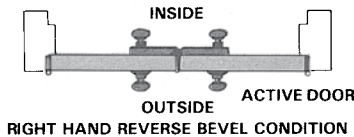
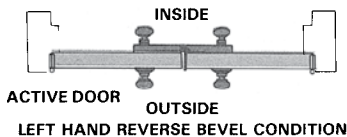
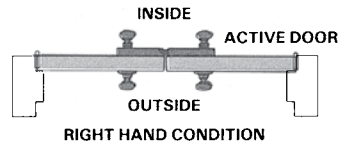
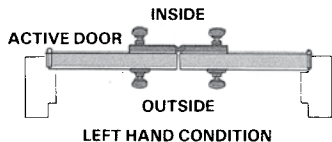
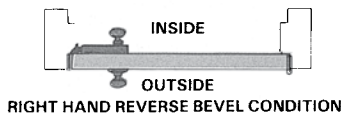
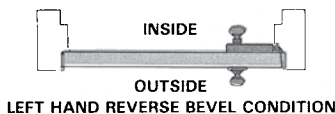
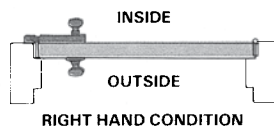
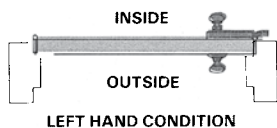
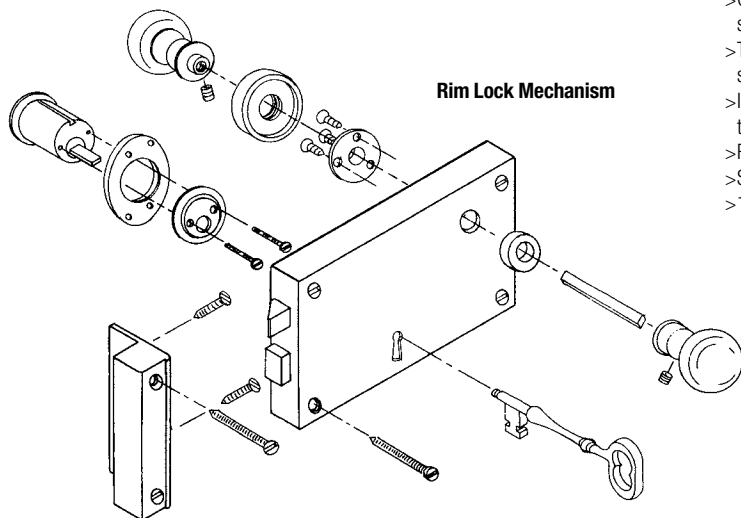
# RIM LOCKS AND CREMONE BOLTS



# STANDARDS & SPECIFICATIONS

## Standards & Specifications

- Pride in our American Heritage and renewed interest in its early history has greatly influenced U.S. architecture. With careful research and design, Baldwin has authentically reproduced a piece of that heritage – colonial rim locks.
- >Constructed with solid forged brass parts for exceptional durability and smooth operation
  - >Trim designs secured to a broached spindle with an epoxy (resin) coated set screw – prohibits screw from loosening
  - >Interior rim locks use bit keys. Bit keys may be ordered fixed permanently into the lock by ordering as .RBIT or .LBIT configurations
  - >Rim locks are sold as sets with 5030 knob included
  - >Split finish requests are subject to 5% list price adder
  - >1.375 minimum door thickness is required



EXTERIOR PLATE, LEFT HAND CONDITION (SINGLE DOOR)

Handing of Rim Lock Plates



EXTERIOR PLATE, RIGHT HAND CONDITION (SINGLE DOOR)

**NOTE:** Hand of door is always determined from outside  
**IMPORTANT:** A dummy trim rim lock must be used on ALL pairs of reverse bevel doors

# RIM LOCKS PASSAGE, PRIVACY & ENTRANCE

## Rim Locks



### Full Dummy Rim Locks

Hollow rim lock case  
(without any working mechanism)

Included	Item #
Knob (Pair)	5030
Rose (Half Pair)	5002

Full Dummy prepared  
as a strike for all  
function rim locks

### Exterior Trim



### Exterior Trim

Included	Item #
Cylinder (Entrance Only)	6755
Knob	5030
Rose	5002

### Passage Rim Locks

Latch bolt by knob either side

Included	Item #
Bit Key*	5755
Knob (Pair)	5030
Rose (Half Pair)	5002

### Privacy Rim Locks

Latch bolt by knob either side  
Dead bolt by Bit Key either side

Included	Item #
Bit Key*	5755
Cover Plate	0406
Emergency Key	5753
Knob (Pair)	5030
Rose (Half Pair)	5002

### Entrance Rim Locks

Latch bolt by knob either side  
Dead bolt by key outside  
and slide bolt inside

Included	Item #
Cylinder	8333
Cylinder Cover Plate	6755
Cylinder Cover Plate*	6757
Knob (Pair)	5030
Rose (Half Pair)	5002

\* Only in case of 5704

### > RIM LOCKS ARE NOT REVERSIBLE – SPECIFY HAND OF DOORS

> **IMPORTANT:** A dummy trim rim lock must be used on ALL pairs of reverse bevel doors

> \*Bit Key can be permanently fitted at an extra charge of \$10 (add 'BIT' to end of suffix: eg. 5600.xxx.R becomes 5600.xxx.RBIT)

> Emergency key – s/b stored in readily accessible place

> For 2 1/4 inch thick doors, 5 inch spindle required

## Small Vertical Rim Lock

5600, 5602, 5604  
Inside Trim



Right Hand Door,  
Interior Trim Shown

Item #	Description	Function	Wt.	Backset	030, 031	
					033, 034, 040	003
5600.xxx.R (L, .RR, .LR)	Small Vertical	Passage	3.7	2.75"	\$700	\$740
5600.xxx.RFD (LFD)	Small Vertical	Full Dummy	3.7	2.75"	350	390
5602.xxx.R (L, .RR, .LR)	Small Vertical	Privacy	4.0	2.75"	825	865
5602.xxx.RFD (LFD)	Small Vertical	Full Dummy	3.7	2.75"	425	465
5604.xxx.R (L, .RR, .LR)*	Small Vertical	Entrance	4.6	2.75"	900	940
5604.xxx.RFD (LFD)*	Small Vertical	Full Dummy	4.6	2.75"	450	490

**CASE:** 4.75" x 3.75" x .875"

**KEEPER:** 4.75" x .875" x 1.625"

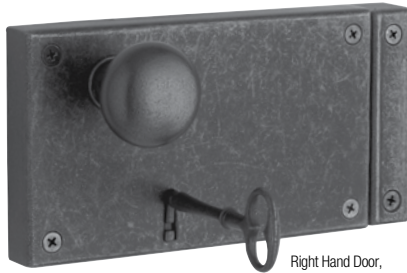
**BACKSET:** 2.75"

Upright design well suited for narrow stile doors

\*5604.xxx – Utilizes Slide Bolt instead of Bit Key.

## 7" Horizontal Rim Lock

5630, 5632, 5634  
Inside Trim



Right Hand Door,  
Interior Trim Shown

Item #	Description	Function	Wt.	Backset	030, 031	
					033, 034, 040	003
5630.xxx.R (L, .RR, .LR)	7" Horizontal	Passage	4.4	5.25"	\$775	\$815
5630.xxx.RFD (LFD)	7" Horizontal	Full Dummy	4.4	5.25"	375	415
5632.xxx.R (L, .RR, .LR)	7" Horizontal	Privacy	4.8	5.25"	850	890
5634.xxx.R (L, .RR, .LR)	7" Horizontal	Entrance	5.5	5.25"	950	990
5634.xxx.RFD (LFD)	7" Horizontal	Full Dummy	5.5	5.25"	475	515

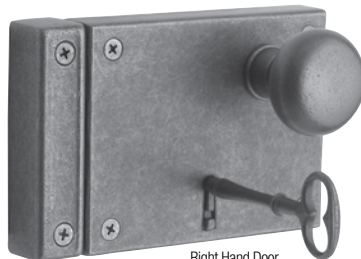
**CASE:** 4" x 6.75" x .875"

**KEEPER:** 4" x .875" x 1.625"

**BACKSET:** 5.25"

## Small Horizontal Rim Lock

5701, 5702, 5704  
Inside Trim



Right Hand Door,  
Interior Trim Shown

Item #	Description	Function	Wt.	Backset	030, 031	
					033, 034, 040	003
5701.xxx.R (L, .RR, .LR)	Small Horizontal	Passage	3.8	3.5"	\$700	\$740
5701.xxx.RFD (LFD)	Small Horizontal	Full Dummy	3.8	3.5"	350	390
5702.xxx.R (L, .RR, .LR)	Small Horizontal	Privacy	4.2	3.5"	825	865
5702.xxx.RFD (LFD)	Small Horizontal	Full Dummy	3.7	3.5"	425	465
5704.xxx.R (L, .RR, .LR)	Small Horizontal	Entrance	4.6	3.5"	900	940
5704.xxx.RFD (LFD)	Small Horizontal	Full Dummy	4.6	3.5"	450	490

**CASE:** 3.75" x 4.75" x .875"

**KEEPER:** 3.75" x .875" x 1.625"

**BACKSET:** 3.5"

**TO BIT KEY:** 2.375"

# RIM LOCKS ENTRANCE, SPECIAL FUNCTION

## Beveled Rim Lock

030, 031  
033, 034, 040  
050, 060, 102  
112, 150, 151  
190, 260, 264  
003  
055  
056

5636



Interior Trim

5636.xxx	Included	Size
Exterior Trim	—	<b>Case:</b> 5" × 7.25" × .875"
Interior Trim	—	<b>Keeper:</b> 5" × 1.375" × 1.625"
Bit Key*	5755	<b>Backset:</b> 5.25"
Cylinder	8333	<b>To Bit Key:</b> 4"
Cylinder Cover Plate	6755	<b>Front to cylinder centerline:</b> 3"
Knob/Lever	5030 (Pair)	
Filler Plate	—	Latch bolt by knob either side
Lock Plate	—	Dead bolt by key outside and slide bolt inside or bit key
Rose	5002 (Half Pair)	

Item #	Description	Function	Wt.	Backset	190, 260, 264	030, 031 033, 034, 040 050, 060, 102 112, 150, 151	003 055 056
5636.xxx.R (.L, .RR, .LR)	Bevelled Rim Lock	Entrance	7.2	5.25"	\$1,250	\$1,290	
5636.xxx.RFD (.LFD)	Bevelled Rim Lock	Full Dummy	7.2	5.25"	625	665	
5639.xxx.R (.L, .RR, .LR)	Hollow Metal Doors Rim Lock	Entrance	7.2	5.25"	1,250	1,290	
5639.xxx.RFD (.LFD)	Hollow Metal Doors Rim Lock	Full Dummy	7.2	5.25"	625	665	
5644.xxx.R (.L, .RR, .LR)	Horizontal Cylinder Lock	Entrance	7.9	8"	1,250	1,290	
5644.xxx.RFD (.LFD)	Horizontal Cylinder Lock	Full Dummy	7.9	8"	625	665	
5720.xxx.R (.L, .RR, .LR)	Entrance Door Rim Lock	Entrance	7.8	3.5"	1,250	1,290	
5720.xxx.RFD (.LFD)	Entrance Door Rim Lock	Full Dummy	7.8	3.5"	625	665	
5722.xxx	Entrance Door Rim Lock	Outside only	x	3.5"	360	380	
5723.xxx.R (.L)	Entrance Door Rim Lock	Inside only	x	3.5"	950	970	

>RIM LOCKS ARE NOT REVERSIBLE – SPECIFY HAND OF DOORS

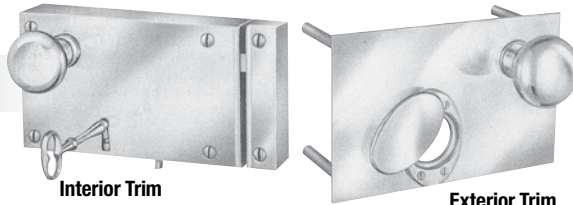
>IMPORTANT: A dummy trim rim lock must be used on ALL pairs of reverse bevel doors

>\*Bit Key can be permanently fitted at an extra charge of \$10 (add 'BIT'

to end of suffix: eg. 5600.xxx.R becomes 5600.xxx.RBIT)

>For 2 1/4 inch thick doors, 5 inch spindle required

5639



Interior Trim

Exterior Trim

5639.xxx	Included	Size
Exterior Trim	—	<b>Case:</b> 4" × 6.75" × .875"
Interior Trim	—	<b>Keeper:</b> 4" × .875" × 1.625"
Bit Key*	5755	<b>Lock Plate</b> 4" × 6.25"
Cylinder	8333	<b>Backset:</b> 5.25"
Cylinder Cover Plate	6755	<b>To Bit Key:</b> 4"
Knob/Lever	5030 (Pair)	<b>Front to cylinder centerline:</b> 3"
Filler Plate	0579	<b>NOTE:</b> For 1.75" thick doors only.
Lock Plate	5629	Specially fabricated lock plate for metal clad doors
Rose	N/A	Latch bolt by knob either side
		Dead bolt by key outside and slide bolt inside or bit key

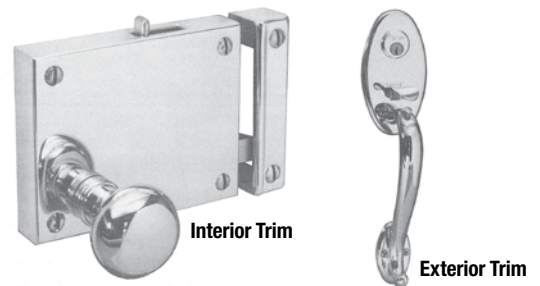
5644



Interior Trim

5644.xxx	Included	Size
Exterior Trim	—	<b>Case:</b> 5.75" × 10" × .875"
Interior Trim	—	<b>Keeper:</b> 5.75" × .875" × 1.625"
Bit Key*	5755	<b>Backset:</b> 8"
Cylinder	8333	<b>To Bit Key:</b> 6"
Cylinder Cover Plate	6755	<b>Front to cylinder centerline:</b> 5"
Knob/Lever	5030 (Pair)	
Filler Plate	—	Latch bolt by knob either side
Lock Plate	—	Dead bolt by key outside and slide bolt inside or bit key
Rose	5002 (Half Pair)	

5720



Interior Trim

Exterior Trim

5720.xxx	Included	Size
Exterior Trim	5722	<b>Case:</b> 3.75" × 4.75" × .875"
Interior Trim	5723	<b>Keeper:</b> 3.75" × .875" × 1.625"
Bit Key*	—	<b>Lock Plate</b> 4" × 6.25"
Cylinder	8333	<b>Backset:</b> 3.5"
Cylinder Cover Plate	—	<b>Front to cylinder centerline:</b> 2.75"
Knob/Lever	5030 (Pair)	<b>NOTE:</b> For 1.75" - 2" thick doors only
Filler Plate	—	Latch bolt by knob either side
Lock Plate	—	Dead bolt by key outside and slide bolt inside or bit key
Rose	—	

Unusual combination of classic colonial "Pitcher Handle" sectional trim outside with Early American rim lock inside. Thumb piece operates latch and can be locked by turning cylinder key from outside or sliding dead bolt from inside.

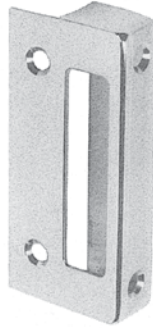
RIM LOCKS  
CREMONE BOLTS

# RIM LOCKS TRIM

## Trim Pieces

030, 031  
033, 034, 040  
050, 060, 102  
112, 150, 151  
190, 260, 264  
003  
055  
056

### Rim Lock Keeper (Strikes)



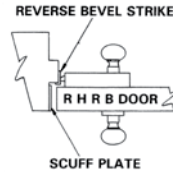
Item #	Description	Size	Fits Rim Lock		
5601.xxx	Keeper (Standard Strike)	4.75" x 0.875" x 1.625"	5600, 5602, 5604		
5631.xxx	Keeper (Standard Strike)	4" x 0.875" x 1.625"	5630, 5632, 5634, 5639	\$75	\$85
5641.xxx	Keeper (Standard Strike)	5.75" x 0.875" x 1.625"	5644		
5671.xxx	Keeper (Standard Strike)	3.75" x 0.875" x 1.625"	5701, 5702, 5704, 5720		
5603.xxx	Reverse Bevel Keeper (Strike)	4.75" x 1" x .375"	5600, 5602, 5604		
5628.xxx	Reverse Bevel Keeper (Strike)	4" x 1" x .375"	5630, 5632, 5634, 5639	60	70
5642.xxx	Reverse Bevel Keeper (Strike)	5.75" x 1" x .375"	5644		
5672.xxx	Reverse Bevel Keeper (Strike)	3.75" x 1" x .375"	5701, 5702, 5704, 5720		
5606.xxx	Scuff Plate	4.75" x 1.875"	5600, 5602, 5604		
5633.xxx	Scuff Plate	4" x 1.875"	5630, 5632, 5634, 5639	60	70
5643.xxx	Scuff Plate	5.75" x 1.875"	5644		
5673.xxx	Scuff Plate	3.75" x 1.875"	5701, 5702, 5704, 5720		

Rim Lock Keepers NOT available in 030 Finish.

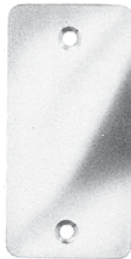
### Scuff Plates

- > Recommended on reverse bevel doors.
- > Prevents damage to doors and latch bolts.
- > Provides smoother lock operation.

### Reverse Bevel Keepers (Strikes)



### Scuff Plates



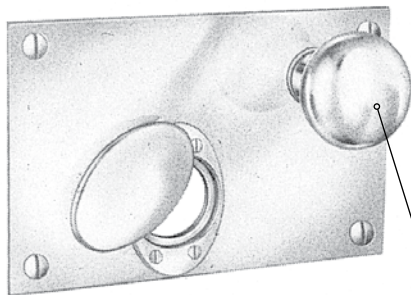
## Exterior only Lock Plate

030, 031  
033, 034, 040  
050, 060, 102  
112, 150, 151  
190, 260, 264  
003  
055  
056

Item #	Description	Door Handling	Door	Plate Prep	Size	Fits Rim Lock		
5608.xxx.RSKC (LSKC)	Exterior Lock Plate				4.75" x 3.25"	5604		
5626.xxx.RSKC (LSKC)**	Exterior Lock Plate	R or L	Single	KC	4" x 6.25"	5634, 5636	\$140	\$155
5629.xxx.RSKC (LSKC)	Exterior Lock Plate					5639		
5674.xxx.RSKC (LSKC)*	Exterior Lock Plate				3.75" x 4.25"	5704		

\*Does not include and cannot accommodate 6755 Swing Cover  
\*\*Beveled trim for 5626 lock plate is not available.

5626 & 5629 Plates: 6755 Cylinder Cover Plate is secured to plate  
Note: Rose and Cylinder trim furnished with cylinder function rim locks not used w/ Lock Plate  
THICKNESS: .093"



Knob trim NOT included  
Included with Cylinder-function Rim Lock



## Accessories

0406



5753



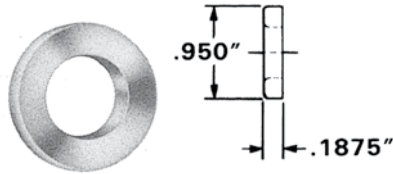
5754



5755



5758



6755



8314



030, 031  
033, 034, 040  
050, 060, 102  
112, 150, 151  
190, 260, 264

Item #	Description		
0406.xxx	Colonial Emergency Release Trim & Key	\$40	\$45
5753.xxx	Emergency Release Key	35	40
5754.xxx	Key Plate	15	20
5755.xxx	Bit Key	35	40
5758.xxx	Solid Brass Spacer	10	15
6755.xxx	Cylinder Lock Cover Plate	95	100
6755.xxx.001	1/16" Blocking Ring – 6755 only		
6755.xxx.002	3/32" Blocking Ring – 6755 only	(040 finish only)	10
6755.xxx.003	1/8" Blocking Ring – 6755 only		
8314.xxx	Wrought Cylinder Collar for Rim Locks	15	20

**0406.xxx – Colonial Emergency Release Trim & Key**  
**SIZE:** 2.312" x .687" (59 x 17mm).

**5753.xxx – Emergency Release Key**  
**SIZE:** 4" (102mm) long.  
 Designed for use with Privacy Rim and Mortise Lock

**5754.xxx – Key Plate**  
**SIZE:** 2" x 1.125" (51 x 29mm).Key Plate

**5755.xxx Bit Key**  
**SIZE:** 4" (102mm) long.  
**FEATURES:** Fits all Baldwin rim locks. Can be permanently fitted with locks to prevent unauthorized removal.

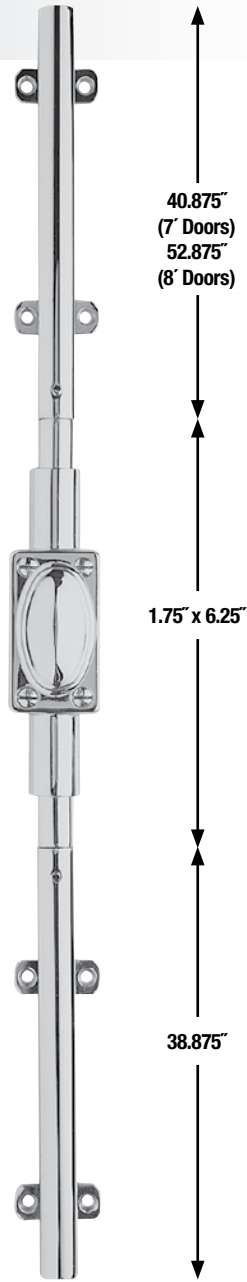
**5758.xxx – Solid Brass Spacer**  
 Designed for use with knob trim during installation on rim lock case. Furnished standard with all rim lock sets.

**6755.xxx – Cylinder Cover Plate**  
**SIZE:** 2.375" x 1.625" (60 x 41mm)  
**FEATURES:** For use with all standard rim lock cylinders (except 5704 Rim Lock)

**6755.xxx.001-3 – Blocking Rings**  
 For 6755 Cylinder Cover Plate only

# MISCELLANEOUS CREMONE BOLTS

## Cremone Bolts



8105.xxx  
FOR ILLUSTRATION PURPOSES ONLY.  
TRIM AVAILABLE ON EXTERIOR SIDE.



0310.xxx.ANGL  
Angle Strike  
TIER 1 FINISHES: 102, 150  
TIER 2 FINISHES: 151



0310.xxx.UNIV  
Universal Strike  
TIER 1 FINISHES: 102, 150



0310.xxx.MORT  
Mortise Strike

Door Size	Stock parts to be ordered
up to 9 ft.	Standard 7 ft. Cremone Bolt and 2 ft. Extension
up to 10 ft.	Standard 8 ft. Cremone Bolt and 2 ft. Extension
up to 11 ft.	Standard 8 ft. Cremone Bolt and 4 ft. Extension
up to 12 ft.	Standard 8 ft. Cremone Bolt and 4 ft. Extension
above 12 ft.	Not Available

8105, 8106, & 8107.xxx Right Hand or Left Hand, 7 or 8 ft. units.

### SOLID FORGED BRASS CONSTRUCTION

**CASE SIZE:** 1.75" x 6.25" (44 x 159mm)

**BOLT DIMENSIONS:** STANDARD 7 FT. LENGTH  
Top Rod: .625" x 40.875" (16 mm x 1.04m).  
Bottom Rod: .625" x 38.875" (16 x .99 m)  
STANDARD 8 FT. LENGTH  
Top Rod: .625" x 52.875" (16mm x 1.34)  
Bottom Rod: .625" x 38.875" (16mm x .99m)

**THROW:** When engaged: both bolts extend .75" (19mm) into jamb and sill.

**GUIDES:** 1.5" (38mm) wide. Decorative covers to conceal guides are available at an additional charge. Please consult price list.

**FASTENERS:** Case is surface mounted with 4 No. 8 x 1.25" Oval Phillips Head Screws for added strength and durability.

**STRIKES:** Furnished with 3 Strikes, one Universal, one Angle, and one Mortise to meet various door conditions.

**SPINDLE:** 1.375" (35mm) in length (NO. 8105.004) A straight spindle must be ordered when trim is ordered for the exterior side of the door. When paired with Estate rosette on exterior. Use "G" trim thickness when sizing spindle.

**FEATURES:** Often used as an elegant and functional addition to a pair of french doors with very narrow stile conditions. A typical application requires active cremone bolts mounted on each leaf of a pair of doors with no exterior access. Specify cremone bolt less knob (LK) or less lever (LX), and order knob or lever minus rose (MR) of choice as a separate item.

**SPECIAL CONDITIONS:** When specified, most trim as illustrated in the knob/lever section is available for the exterior side to latch door. Indicate knob or lever to be furnished. Straight spindle must be purchased separately. In addition, for doors larger than 8ft. see Cremone Bolt extension packets below.

**PACKED:** One in a box with three strikes and the appropriate fasteners. Cremone Bolts are available in two sizes, one for doors up to and including 7 ft. (2.13m) and one for doors between 7 feet and 8 feet in height, at an additional cost. A 42" centerline above the finished floor is considered standard with our Cremone Bolts.

**NOTE:** Always specify hand of door as Knob/Lever trim will turn only in one direction. See diagram on bottom of page for handling details. To enable greater job site flexibility, exact sizing of Cremone Bolts can be accomplished in the field. For doors larger than 8ft. in height, the addition of a Cremone Bolt extension packet is necessary. See table below.

**ORDERING INFORMATION:** The final suffix numbers will indicate the following:  
Digit #1 of the suffix will indicate hand of the unit: either right (R) or left (L)  
Digit #2 of the suffix will indicate length: either 7' or 8'  
Digits #3 & #4 of the suffix will indicate a cremone bolt less knob or Lever (LK).

**ORDERING EXAMPLES, KNOB/FUNCTION:** Order cremone bolt and separate line item for knob:  
8105.XXX.R7LK: Standard design 7" Cremone bolt right hand less knob/lever  
5000.XXX.IMR: 1 each 5000 knob minus rose

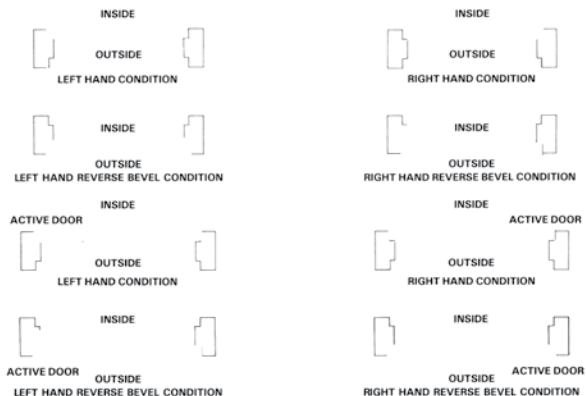
**ORDERING EXAMPLES, LEVER/FUNCTION:** Order cremone bolt and separate line item for lever:  
8105.XXX.L7LL: Standard design 7" Cremone bolt right hand less lever 1  
each 5125 lever left hand minus rose: 5152.XXX.LMR Nos. 8105, 8106 & 8107.XXX.R7/R/LK are furnished with guides less knobs or levers.

**CREMONE BOLT EXTENSION PACKETS:** 8106.XXX.E24 2 FT. Extension Packet - Ornamental Design  
8106.XXX.E48 4 FT. Extension Packet - Ornamental Design  
8107.XXX.E24 2 FT. Extension Packet - Contemporary Design  
8107.XXX.E48 4 FT. Extension Packet - Contemporary Design

These packets contain all the parts necessary to extend the top rod length of stock 7ft. or 8ft. Cremone Bolts for special door situations. The following chart illustrates which item to order for a particular door size.

**NOTE:** Extension packets are only available for Cremone Bolts with decorative covers. Not available for use with 8105 Cremone Bolts.

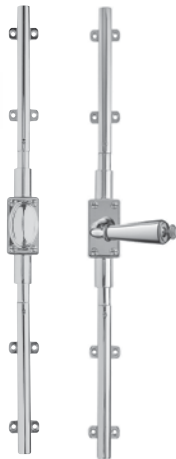
### HANDING OF CREMONE BOLTS



**Cremone Bolts**

031, 033,  
034, 040, 050  
060, 102, 112  
150, 151, 152  
190, 260, 264  
003  
055  
056

**8105**



Item #	Function		
8105.xxx.R7LK(L7LK)	Standard 7' Doors	\$500	\$550
8105.xxx.R8LK(L8LK)	Standard 8' Doors	650*	N/A
8106, 8107.xxx	Ornamental & Contemporary 7' Doors (R7LK, L7LK)	600	650
8106, 8107.xxx	Ornamental & Contemporary 8' Doors (R8LK, L8LK)	850*	N/A
8105.xxx.GD	Cremone bolt rod guide	30**	N/A
8105.xxx.REPL	Bottom replacement rod for all cremone bolts	150	175
8105.xxx.7TOP	Top replacement rod for cremone bolts for 7' doors	100**	N/A
8105.xxx.8TOP	Top replacement rod for cremone bolts for 8' doors	150	N/A
8105.xxx.R510/L510	Case assembly	150	175
8106.xxx.CVR	Ornamental cover for cremone & surface bolts	40	50
8107.xxx.CVR	Contemporary cover for cremone & surface bolts		
8106.xxx.E24	24" extension rod w/ornamental cover	130	155
8107.xxx.E24	24" extension rod w/contemporary cover		
8106.xxx.E48	48" extension rodw/ornamental cover	200	225
8107.xxx.E48	48" extension rod w/contemporary cover		

NOTE: 8105.xxx.8TOP is not available in 033 & 034.

\*Not available in 033, 034, 260 & 264

\*\*Not available in 260 & 264.

**8105.xxx – Standard Cremone Bolt**

**FEATURES:** Supplied without decorative covers for guides.

**NOTE:** All 7' Cremone Bolts are supplied with 4 guides and 8' Cremone Bolts are supplied with 6 guides. Customer must purchase knob or lever, separately.

**8106**



**8106.xxx – Ornamental Cremone Bolt**

**FEATURES:** Similar to 8105 Cremone Bolts except that the guides are concealed with decorative covers for a more elegant appearance.

**8107.xxx – Contemporary Cremone Bolt**

**FEATURES:** Similar to 8105 Cremone Bolts except that the guides are concealed with decorative covers for a more elegant appearance.

**8106 & 8107 Covers**

**FEATURES:** Covers available separately to facilitate stocking all designs.

**PACKED:** Includes fasteners.

**WEIGHT:** 8106: 2.7 lbs. (1.22kg)  
8107: 3 lbs. (1.36kg)

**Cremone bolts intended for use on INTERIOR doors only.**

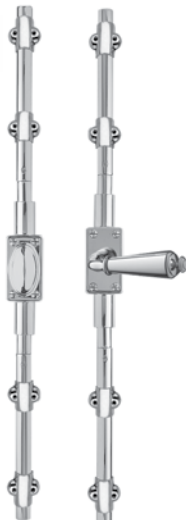
Cremone bolt rod cannot be distressed.

The following are recommended to match distressed finishes:

402 = 102    452 = 151  
412 = 112

NOTE: Cremone bolts are sold less knob/lever. Customers select Estate Collection knob or lever of their choice. Cremone mechanism is handed. Select cremone in same hand as door.

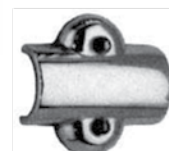
**8107**



**8106**  
Ornamental



**8107**  
Contemporary



# KEYLESS ENTRY



## Keyless Entry Features & Specifications

### FEATURES

- Easy Install in Minutes w/ Screwdriver
- Fits Standard Tubular Door Prep
- No Hard Wiring Required
- 2 Customizable User Codes with Easy Add & Delete
- 4 to 8 Digit Codes
- One Touch Locking
- Back-Lit Keypad for Increased Visibility
- Incorrect Code Lockout Feature
- Customizable Features:
  - Automatic Door Locking after 30 Seconds
  - Door Locked / Unlocked led indicator
  - Audible beep for activation
- 4 AA Batteries
- Low Battery LED Indicator
- Tapered Deadbolt Design - Compensates for Door Misalignment Conditions
- Protective Coated Keypad Preventing Wear & Discoloration
- Automatic Handing Feature
- Solid Forged Brass Trim

### SPECIFICATIONS

<b>Function</b>	Single Cylinder Deadbolt
<b>Door Prep</b>	2 1/8" Bore, 1" Edge Bore
<b>Backset</b>	Adjustable 2 3/8" or 2 3/4"
<b>Door Thickness</b>	1.75" to 2.00"
<b>Cylinder</b>	5-Pin C-Keyway
<b>Faceplate</b>	1" Square Corner
<b>Strike</b>	Square Corner with reinforcing plate
<b>Latch</b>	1" Throw
<b>Bolt</b>	Brass, tapered w/ security pin
<b>Door Handing</b>	Automatic Handing

## FAQ List Keyless Entry

<b>Does this product require a different installation?</b>	No, fits a standard tubular deadbolt prep.
<b>What is the estimated life of the batteries?</b>	Approximately 1 year of standard use.
<b>Is this product offered in an emergency egress function?</b>	No, this product is not offered in an Emergency Egress function.
<b>What cylinders are provided?</b>	Uses a standard deadbolt cylinder with an extended tail piece.
<b>What latches are provided with this product?</b>	The Keyless Entry Deadbolt products use a modified standard Deadbolt Latch that includes a tapered bolt & a modified latch cam.
<b>Are there issues with the motorized bolt in regards to weather-stripping or warped door conditions?</b>	The tapered deadbolt was designed to address these conditions.
<b>Can I get additional finishes or split finishes?</b>	No, these products cannot be extended into additional finishes or split finishes at this time.
<b>What is the standard lead time for these products?</b>	There will be an extended lead time period for the product launch, but after that the Keyless Entry products will maintain a standard product lead time of 3 weeks.
<b>Are Keyed Alike sets offered?</b>	No, not at this time. Product will need to be re-keyed in the field.
<b>What is the Warranty?</b>	The Keyless Entry Deadbolts carry a Standard Estate Mechanical & Finish Warranty & a 1 Year Electronic Warranty.
<b>Are batteries included?</b>	No, AA batteries are not included & will need to be purchased separately.

# KEYLESS ENTRY

## How To Order



### DEADBOLT

To Order Only a Deadbolt, Simply Order & Specify the Finish:

### EXAMPLE:

**8285.150.AC1**

### SECTIONAL HANDSET

To Order Sectional Handset, Order Both Deadbolt & Sectional Handset Kit\* (with Handing) & Specify the Finish:

### EXAMPLE:

**8285.150.AC1 +  
85386.150.ACRH**

>Keyless Entry Systems are only available in Soho & Boulder Styles.

>Split finish and special keying options are not available for keyless entry systems.

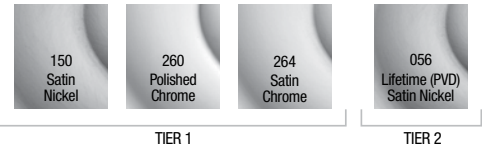
## Finishes Available for Soho Keyless Entry

**8285.xxx.AC1**  
Soho Deadbolt

**85386.xxx.ACRH (.ACLH)**  
Soho Sectional Trim w/ 5485V Lever



### Finishes



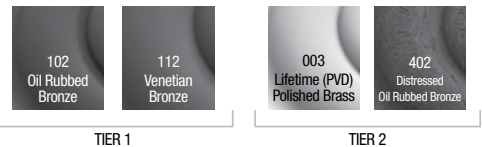
## Finishes Available for Boulder Keyless Entry

**8252.xxx.AC1**  
Boulder Deadbolt

**85353.xxx.ACRH (.ACLH)**  
Boulder Sectional Trim w/ 5452V Beavertail Lever



### Finishes



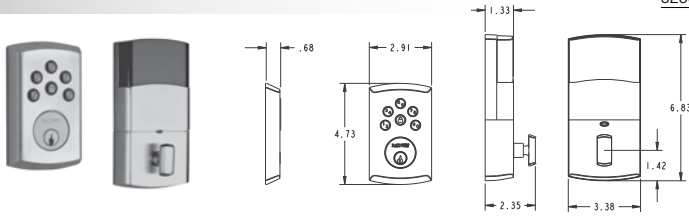
KEYLESS ENTRY



# KEYLESS ENTRY

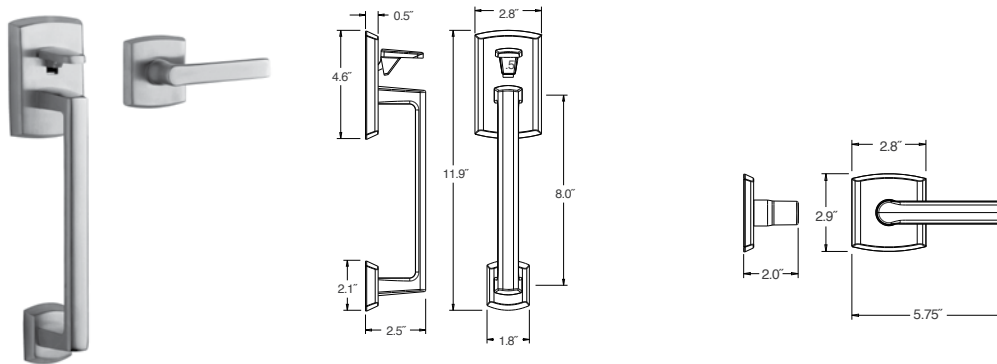
## Soho Deadbolt

Item #	Description	Tier 1 150, 190, 260, 264	Tier 2 056
8285.xxx.AC1	Deadbolt	\$465	\$495



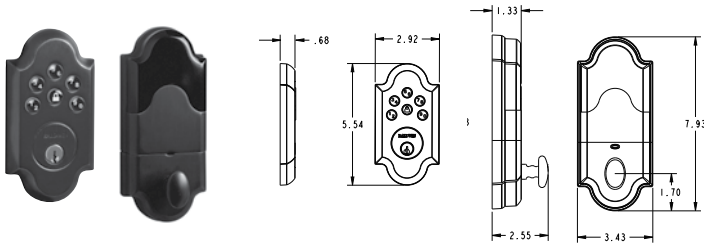
## SOHO Sectional Handleset Kit

Item #	Description	Tier 1 150, 190, 260, 264	Tier 2 056
85386.xxx.ACRH (ACLH)	Sectional Entry Handleset Kit	\$335	\$350



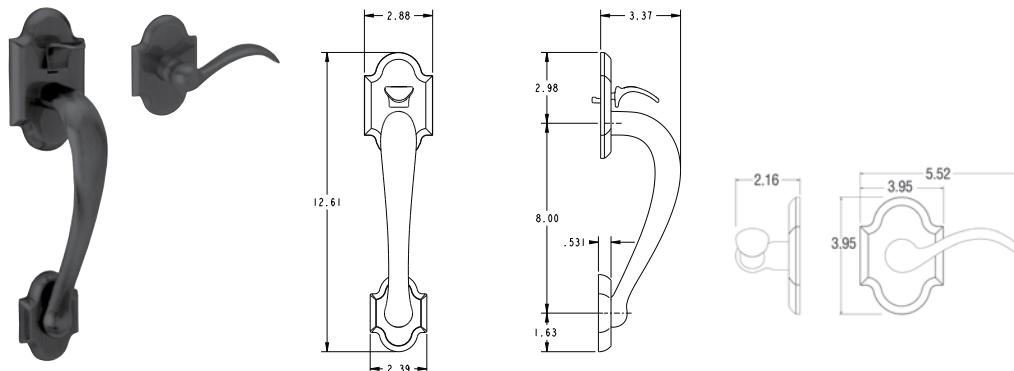
## Boulder Deadbolt

Item #	Description	Tier 1 102, 112	Tier 2 003, 402
8252.xxx.AC1	Deadbolt	\$465	\$495



## Boulder Sectional Handleset Kit

Item #	Description	Tier 1 102, 112	Tier 2 003, 402
85353.xxx.ACRH (ACLH)	Sectional Entry Handleset Kit	\$335	\$350



# DEADBOLT SETS



# DEADBOLT SETS, MECHANICAL FEATURES

## 8000 SERIES

### LOW PROFILE CYLINDER DEADBOLT FOR 1 5/8" (41mm) DOOR PREP

All deadbolts feature a 1/2" low-profile cylinder projection.

**CASE:** Deadbolt case is formed of heavy gauge steel for strength and assures solid fit in door preparations. Most interior working parts are made of solid brass for maximum strength and smooth operation.

**DEADBOLT:** All deadbolts are of solid brass construction. Deadbolt has .600" x .770" x 1" (15 x 20 x 25mm) throw when extended and a hardened steel insert for maximum protection and security. Deadbolt is furnished in 040 and 264 finishes to match trim.

**GRADE 1:** Meets Grade 1 Requirements as set forth in ANSI A156.5 Test Sections 9.1-9.11 & 10.1-10.9.

**BACKSET:** Adjustable backset deadbolt 2 3/4" (60mm) or 2 3/4" (70mm). NON-HANDED design facilitates specification and installation.

**STRIKE:** Every deadbolt illustrated in this section is furnished with a specially-designed reinforcing strike constructed of high grade steel for ultimate strength and durability. The strike is installed with four (4) security jamb screws (including two (2) 3" screws) and a dust box and is covered with an armored front to conceal the fasteners. The 3" screws securing the reinforcing strike resist tampering and guard against theft.

**CYLINDERS:** The cylinder housing is protected with a free-turning exterior cylinder guard fabricated from solid brass to resist gripping or twisting. Cylinders are supplied standard with 03 keyway and two nickel silver keys. All deadbolts are furnished with 5-pin keying.

**KEYING:** Keep in mind that the total quantity of deadbolts ordered must be a multiple of the keyed alike quantity. Contact factory for keying to a specific key number. KEYS are designed with a 1.25" (32mm) wide bow surface.

**PACKAGING:** Packaged one deadbolt per box with security strike, dust box and keys. All products are packaged in contractor packaging.

**WEIGHT:** 1.8 lbs. each (.81kg); 10.8 lbs. (4.86kg) per case for standard package.

**DOOR CONDITIONS:** Deadbolts fit 1 5/8" (41mm) diameter cutouts. Trim rings No. 8090 available for doors drilled with 2-1/8" (54mm) diameter holes.

**DOOR THICKNESS:** Deadbolts fit 1 3/4" (44mm) thick doors. Deadbolt kits are available for 2" (51mm) and 2 1/4" (57mm) thick doors at an additional charge. Door spacers No. 8097 are required for 1 3/8" (35mm) thick doors (available for the 8041, 8011, 8031 & 8021 deadbolts only).

## 8200 SERIES

### LOW PROFILE CYLINDER DEADBOLT FOR 2 1/8" (54mm) DOOR PREP

All information identical to 8000 SERIES except where noted here

**WEIGHT:** 2.2 lbs. each (.99kg); 13.2 lbs. per case (5.94kg).

**DOOR CONDITIONS:** Deadbolts fit 2 1/8" (54mm) diameter cutouts.

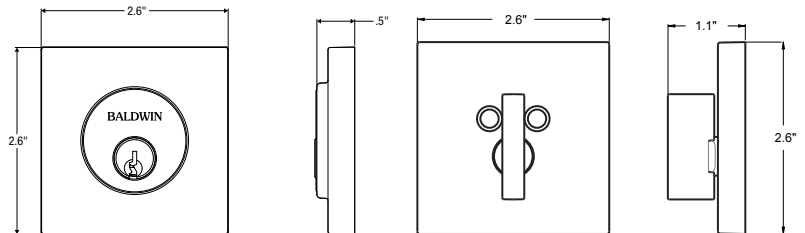
**DOOR THICKNESS:** Deadbolts fit 1 3/4" (44mm) thick doors. Deadbolt kits are available for 2" (51mm) and 2 1/4" (57mm) thick doors at an additional charge. Door spacers No. 8297 are required for 1 3/8" (35mm) thick doors (8241, 8242, 8231, 8232 only).

### 8220, 8221 Contemporary Deadbolt – 2 1/8" Door Prep



Item #	Description	Wt.	031, 033	003, 055
			034, 040, 050	056, 402
8220.xxx	Single cylinder deadbolt	1.7	\$95	\$110
8221.xxx	Double cylinder deadbolt	1.9	120	135

**STEEL CASE:** .960" Dia. x 3.312" or 3.75" extended (24 x 84 or 95mm)  
**FRONT:** .156" x 1" x 2.25" (4 x 25 x 57mm)



### 8244 Contemporary Deadbolt – 2 1/8" Door Prep



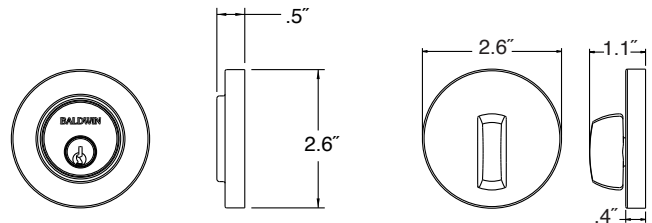
Item #	Description	Wt.	031, 033	003, 055
			034, 040, 050	056, 402
8244.xxx	Single cylinder deadbolt	2.0	\$130	\$145
8244.xxx.PAT	Patio deadbolt	1.2	110	125

**NOTE:** Not Available as a double cylinder. Also Not Available for 1 3/8" thick doors.

**STEEL CASE:** .960" Dia. x 3.312" or 3.750" extended (24 x 84 or 95mm)

**FRONT:** .156" x 1" x 2.25" (4 x 25 x 57mm)

**NOTE:** For Patio deadbolt, refer to instruction sheet for special door preparation.



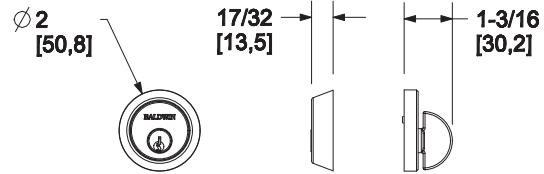
# DEADBOLTS

## 8011, 8041 Contemporary Deadbolt – 1 5/8" Door Prep



Item #	Description	Wt.	031, 033		003, 055
			034, 040, 050	060, 102, 112	
8041.xxx	Single cylinder deadbolt	1.7	\$95	\$110	
8011.xxx	Double cylinder deadbolt	1.9	120	135	

**STEEL CASE:** .960" Dia. x 3.312" or 3.75" extended (24 x 84 or 95mm)  
**FRONT:** .156" x 1" x 2.25" (4 x 25 x 57mm)



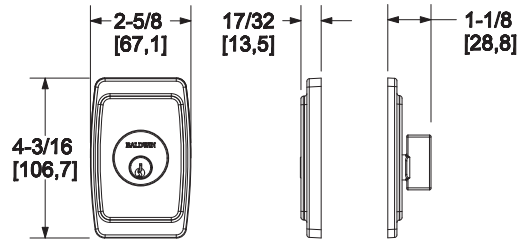
## 8250, 8251 Palm Springs Deadbolt – 2 1/8" Door Prep

**Coming August 2016**



Item #	Description	Wt.	031, 033		003, 055
			034, 040, 050	060, 102, 112	
8250.xxx	Single cylinder deadbolt	1.7	\$110	\$125	
8251.xxx	Double cylinder deadbolt	1.9	135	150	

**STEEL CASE:** .960" Dia. x 3.312" or 3.750" extended (24 x 84 or 95mm)  
**FRONT:** .156" x 1" x 2.25" (4 x 25 x 57mm)



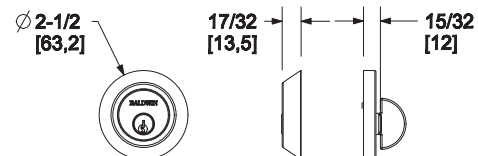
## 8241, 8242 Contemporary Deadbolt – 2 1/8" Door Prep



Item #	Description	Wt.	031, 033		003, 055
			034, 040, 050	060, 102, 112	
8241.xxx	Single cylinder deadbolt	2.1	\$95	\$110	
8242.xxx	Double cylinder deadbolt	2.4	120	135	
8241.xxx.PAT	Patio deadbolt	1.1	70	80	

**STEEL CASE:** .960" Dia. x 3.312" or 3.750" extended (24 x 84 or 95mm)  
**FRONT:** .156" x 1" x 2.25" (4 x 25 x 57mm)

**Patio Deadbolt:** Refer to instruction sheet for special door preparation



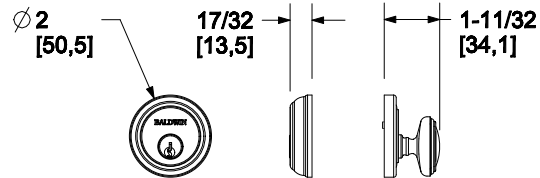
DEADBOLT SETS

## 8021, 8031 Traditional Deadbolt – 1 5/8" Door Prep

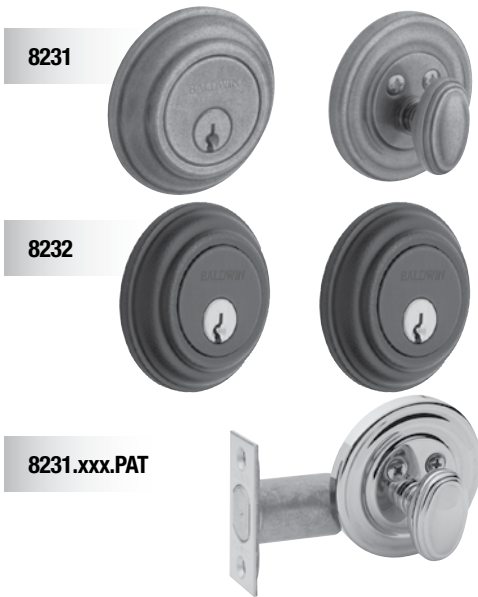


Item #	Description	Wt.	031, 033	
			034, 040, 050	003, 055
8031.xxx	Single cylinder deadbolt	1.8	\$95	\$110
8021.xxx	Double cylinder deadbolt	2.0	120	135

**STEEL CASE:** .960" Dia. x 3.312" or 3.750" extended (24 x 84 or 95mm)  
**FRONT:** .156" x 1" x 2.25" (4 x 25 x 57mm)



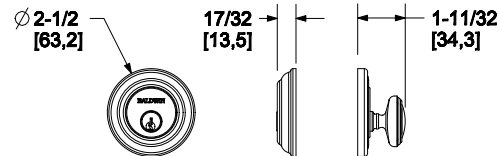
## 8231, 8232 Traditional Deadbolt – 2 1/8" Door Prep



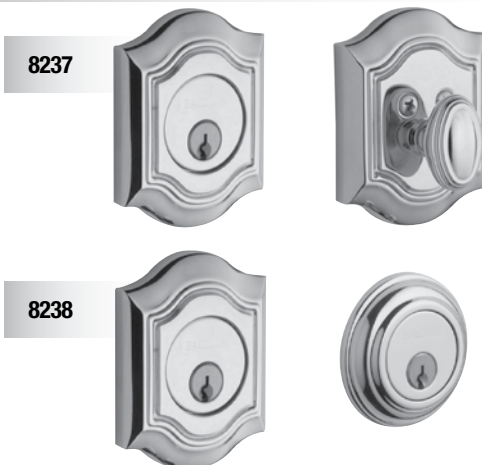
Item #	Description	Wt.	031, 033	
			034, 040, 050	003, 055
8231.xxx	Single cylinder deadbolt	2.2	\$95	\$110
8232.xxx	Double cylinder deadbolt	2.4	120	135
8231.xxx.PAT	Patio deadbolt	1.1	70	80

**STEEL CASE:** .960" Dia. x 3.312" or 3.75" extended (24 x 84 or 95mm)  
**FRONT:** .156" x 1" x 2.25" (4 x 25 x 57mm)

**Patio Deadbolt:** Refer to instruction sheet for special door preparation



## 8237, 8238 Bethpage™ Deadbolt – 2 1/8" Door Prep

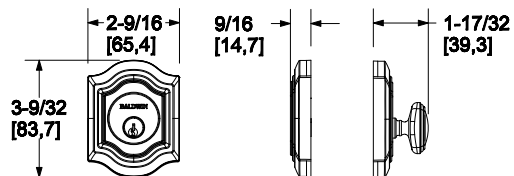


Item #	Description	Wt.	031, 033	
			034, 040, 050	003, 055
8237.xxx	Single cylinder deadbolt	2.1	\$110	\$125
8238.xxx	Double cylinder deadbolt	2.4	135	150

**NOT AVAILABLE FOR 1 3/8" THICK DOORS.**

**STEEL CASE:** .960" Dia. x 3.312" or 3.750" extended (24 x 84 or 95mm)  
**FRONT:** .156" x 1" x 2.25" (4 x 25 x 57mm)

**COLLAR DIMENSION:** 2.63"W X 3.25"H X 0.5" THICK (66 X 81 X 13mm)





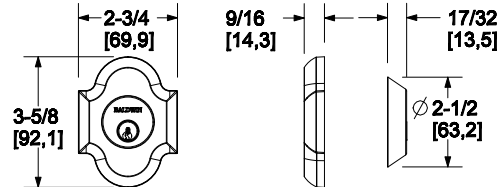
# DEADBOLTS

## 8252, 8253 Arched Deadbolt – 2 1/8" Door Prep



Item #	Description	Wt.	031, 033		003, 055
			034, 040, 050	060, 102, 112	
8252.xxx	Single cylinder deadbolt	2.0	\$110	\$125	
8253.xxx	Double cylinder deadbolt	2.0	135	150	

**NOT AVAILABLE FOR 1 3/8" THICK DOORS.**  
**STEEL CASE:** .960" Dia. x 3.312" or 3.750" extended (24 x 84 or 95mm)  
**FRONT:** .156" x 1" x 2.25" (4 x 25 x 57mm)  
**COLLAR DIMENSION:** 2.75W X 3.62H X 0.5" THICK (70 X 92 X 13mm)

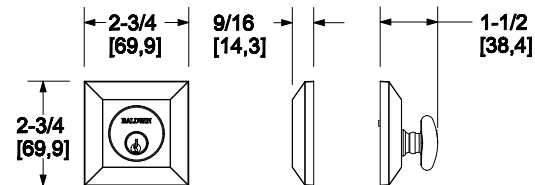


## 8254, 8255 Squared Deadbolt – 2 1/8" Door Prep



Item #	Description	Wt.	031, 033		003, 055
			034, 040, 050	060, 102, 112	
8254.xxx	Single cylinder deadbolt	2.0	\$110	\$125	
8255.xxx	Double cylinder deadbolt	2.0	135	150	

**NOT AVAILABLE FOR 1 3/8" THICK DOORS.**  
**STEEL CASE:** .960" Dia. x 3.312" or 3.750" extended (24 x 84 or 95mm)  
**FRONT:** .156" x 1" x 2.25" (4 x 25 x 57mm)  
**COLLAR DIMENSION:** 2.73W X 3.62H X 0.5" THICK (70 X 92 X 13mm)

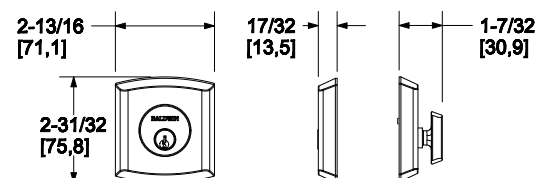


## 8285, 8286 Soho Deadbolt – 2 1/8" Door Prep



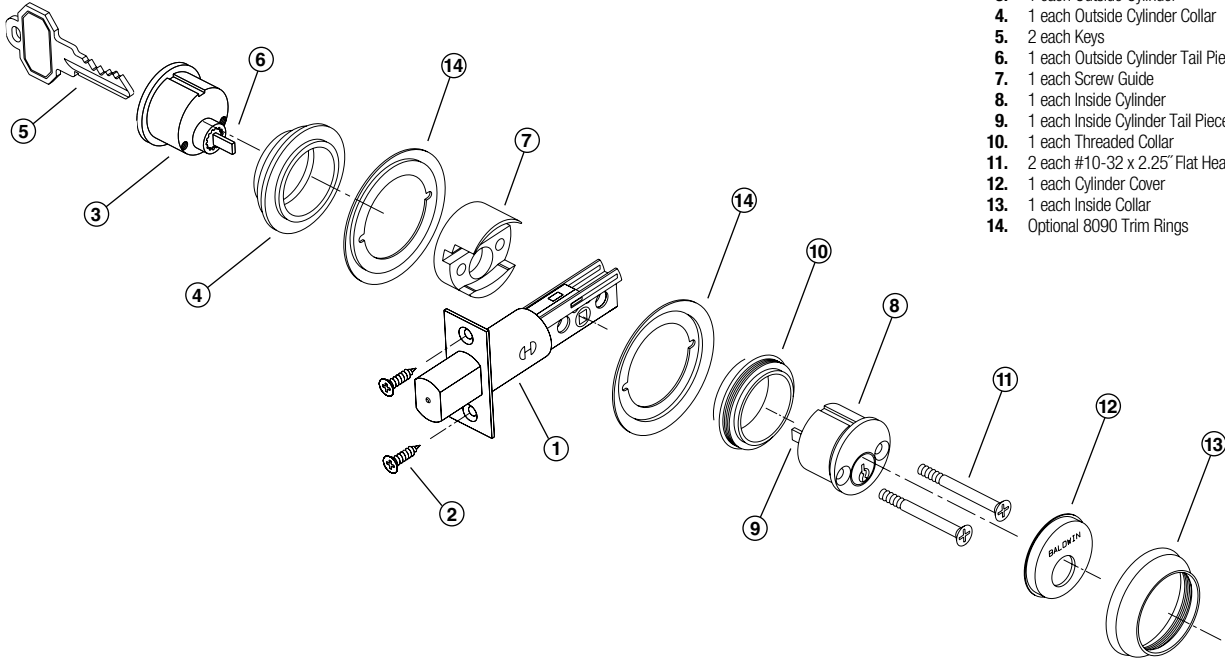
Item #	Description	Wt.	031, 033		003, 055
			034, 040, 050	060, 102, 112	
8285.xxx	Single cylinder deadbolt	2.2	\$110	\$125	
8286.xxx	Double cylinder deadbolt	2.4	135	150	

**NOT AVAILABLE FOR 1 3/8" THICK DOORS.**  
**STEEL CASE:** .960" Dia. x 3.312" or 3.75" extended (24 x 84 or 95mm)  
**FRONT:** .156" x 1" x 2.25" (4 x 25 x 57mm)  
**COLLAR DIMENSION:** 2.75W X 2.88H X 0.5" THICK (70 X 73 X 13mm)



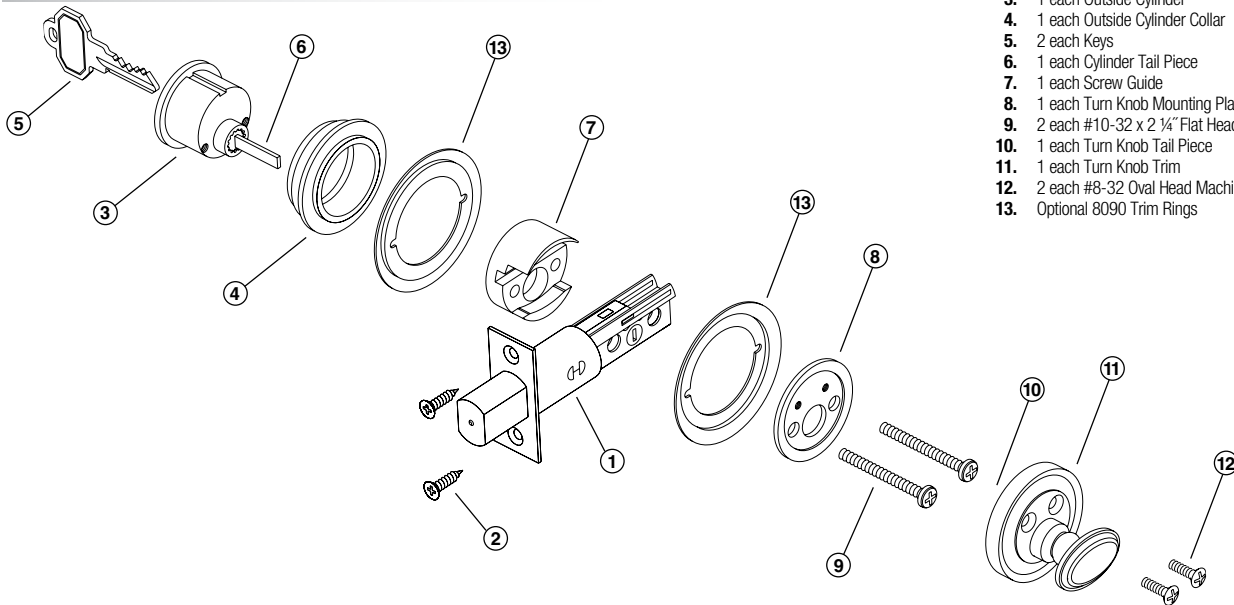


## Double Cylinder Deadbolt



1. 1 each Adjustable Backset Deadbolt
2. 4 each #8.75" Flathead Combination Screws
3. 1 each Outside Cylinder
4. 1 each Outside Cylinder Collar
5. 2 each Keys
6. 1 each Outside Cylinder Tail Piece
7. 1 each Screw Guide
8. 1 each Inside Cylinder
9. 1 each Inside Cylinder Tail Piece
10. 1 each Threaded Collar
11. 2 each #10-32 x 2.25" Flat Head Machine Screws
12. 1 each Cylinder Cover
13. 1 each Inside Collar
14. Optional 8090 Trim Rings

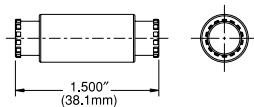
## Single Cylinder Deadbolt



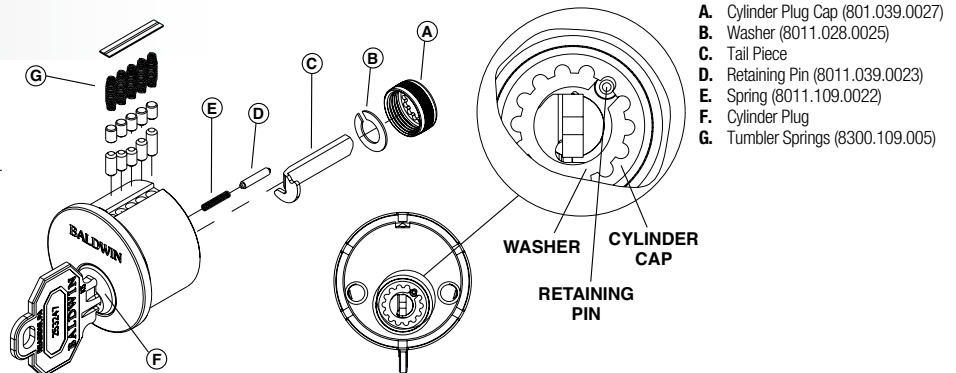
1. 1 each Adjustable Backset Deadbolt
2. 2 each #8-32 x 3/4" Flat Head Machine Screws
3. 1 each Outside Cylinder
4. 1 each Outside Cylinder Collar
5. 2 each Keys
6. 1 each Cylinder Tail Piece
7. 1 each Screw Guide
8. 1 each Turn Knob Mounting Plate
9. 2 each #10-32 x 2 1/4" Flat Head Machine Screws
10. 1 each Turn Knob Tail Piece
11. 1 each Turn Knob Trim
12. 2 each #8-32 Oval Head Machine Screws
13. Optional 8090 Trim Rings

## Cylinder Exploded View

### CYLINDER CAP TOOL



No. 8052.289.00045



# TUBULAR ENTRANCE SET & DEADBOLT ACCESSORIES

## Strikes, Cylinders & Turnpiece Components

Item #	Description	U/M.	Wt.	003	050, 102	402	055	Other
					112, 150, 151	412	056	Finishes (As Marked)
8000.xxx.RSTR	Radius corner deadbolt strike	each						
8000.xxx.STR	Standard security deadbolt strike	each	0.2	\$10	\$10	\$10	—	—
8000.849.STR3	Dust box	each	0.1	—	—	—	—	\$5

Item #	Description	U/M.	Wt.	003	050, 102	402	055	Other
					112, 150, 151	412	056	Finishes (As Marked)
8011.xxx.0020	Inside cylinder	each	0.1	\$15	\$15	—	\$15	—
8011.039.0021	Cylinder threaded sleeve for mounting inside of double cylinder deadbolt	each	0.2	—	—	—	—	7
8011.109.0031	Tumbler springs	100/ pkg	0.1	—	—	—	—	\$20
8030.xxx.0003	Traditional outside cylinder collar	each	2.0	35	30	30	35	060 = 30
8030.xxx.0005	Traditional inside cylinder collar	each	2.0	35	30	30	35	060 = 30
8030.xxx.0510	Traditional turn knob assembly	each	0.3	65	65	65	65	—
8031.028.TP11	Turn piece tail piece, older style handleset	each	—	—	—	—	—	2
8031.509.SH18	Pan head thru-bolt	each	0.1	—	—	—	—	2
8040.xxx.0004	Contemporary round outside cylinder collar	each	0.3	35	30	30	35	060 = 30
8040.xxx.0006	Contemporary round inside cylinder collar	each	0.2	35	30	30	35	—
8040.xxx.0510	Contemporary round turn knob assembly	each	0.3	—	—	—	—	—
8237.xxx.0510	Bethpage turn knob	each	0.4	65	65	65	65	—
8053.028.TP1	Cylinder tail piece for double cylinder deadbolt — up to 2 1/4" doors	each	—	—	—	—	—	—
8053.028.TP4	Cylinder tail piece for single cylinder deadbolt — 1 3/4" doors	each	0.2	—	—	—	—	3 NET
8053.028.TP525	Cylinder tail piece for single cylinder deadbolt — 1 7/8" to 2 1/4" doors	each	—	—	—	—	—	—
8053.028.TP3	Cylinder tail piece for single cylinder deadbolt — 1 3/8" doors	each	—	—	—	—	—	—
8031.028.TP3	Patio Tailpiece for a 2 1/4" thick door	each	—	—	—	—	—	—
8053.028.TP2	Cylinder tail piece for egress	each	0.1	—	—	—	—	3 NET
8031.xxx.KD12	Cylinder and tail piece for non-egress handleset and single cylinder deadbolts	each	0.5	40	35	40	—	—
8031.xxx.KD22	Cylinder and tail piece for egress handlesets	each	0.5	40	35	40	—	—
8011.xxx.KD12	Double cylinder for handlesets and deadbolts	each	0.8	80	70	80	—	—
8475.000.001	Cylinder cap tool	each	0.1	—	—	—	—	5 NET

## UL Deadbolts Kit

UL certified tubular products can be ordered by adding a UL kit to our standard deadbolt or select Estate passage or privacy sets. Our UL products are rated a 3hr fire rating when used on fire rated doors.

### UL DEADBOLTS KIT



Item #	Description	031, 033	003
		034, 040, 050	055
U8201.xxx.DB	UL Kit for single cylinder deadbolt - 2 1/8" door prep		
U8202.xxx.DB	UL Kit for double cylinder deadbolt - 2 1/8" door prep	\$30	\$35
U8208.xxx.DB	UL Kit for single cylinder deadbolt - 1 5/8" door prep		
U8209.xxx.DB	UL Kit for double cylinder deadbolt - 1 5/8" door prep		

For 402, 412, or 452 finishes, please substitute with a 102, 112, or 152 finish respectively.

#### INCLUDED:

Deadbolt latch with UL faceplate, UL Shield and rotation stop

#### ORDERING INSTRUCTIONS:

- Choose your deadbolt: eg. 8231.003 - Traditional Deadbolt, single cylinder, 2 1/8" door prep
- Choose the appropriate deadbolt kit: U8201.003.DB - UL kit for single cylinder, 2 1/8" door prep

#### Other examples:

8041.260 - Contemporary deadbolt, single cylinder, 1 5/8" door prep  
 U8208.260.DB - UL kit for single cylinder, 1 5/8" door prep  
 8238.112 - Bethpage deadbolt, double cylinder, 2 1/8" door prep  
 U8202.112.DB - UL kit for double cylinder, 2 1/8" door prep

**NOTE:** All components from the deadbolt kit must be installed for UL certification.

# TUBULAR DEADBOLT ACCESSORIES

## 8090, 8097, 8098, 8297 Trim Rings & Collars

8090



8097



8098.xxx.DC03



8098.xxx.TP03



8297



Item #	Description	U/M.	Wt.	003	050, 102	402	Other
					112, 150, 151 190, 260, 264	412 452	055 056 (As Marked)
8080.xxx	Deadbolt Trim	pair	1.5	\$95	\$85	—	\$95
8090.xxx	Trim rings for 2 1/8" hole	pair	0.2	15	15	15	15
8097.xxx	Cylinder collar spacer for 1 3/8" thick doors for 80xx series deadbolts (1 3/8" prep)	each	0.2	15	15	—	15
8098.xxx.DC03	Double cylinder Conversion kit for 2" & 2 1/4" thick doors	each	0.1	—	—	—	000 = \$5
8098.xxx.TP03	Single Cylinder/Turn Piece Conversion kit for 2" & 2 1/4" thick doors	each					
8297.xxx	Cylinder collar spacer for 1 3/8" thick doors for 82xx series deadbolts (2 1/8" prep)	each	0.3	20	20	—	20

	Function	Door Thickness
8098.xxx.DC03	Double Cylinder	2" (51mm) & 2.25" (57mm)
8098.xxx.TP03	Cylinder / Turn Piece	

### 8090.xxx – Trim Rings

**Dimensions:** 2.5" Dia. (64mm)

**Features:** Trim Rings are designed for use with installation of 8000 Series (1.625" (41mm) door prep) Deadbolts in 2.125" (54mm) diameter door preparation. One pair of rings is required for use in this application for either Double Cylinder or Cylinder/Turn piece functions. Rings are finished to match Deadbolts.

**Weight:** 2 lb. (.09kg)

**NOTE:** 8090 Trim rings are not required for 8200 series deadbolts.

### 8097.xxx – Cylinder Collar Spacer For 8000 Series Deadbolts – For 1.375" (35mm) Door

**Dimensions:** 2" Dia. (51mm)

**Features:** For installation on 1.375" (35mm) doors. Always used under Cylinder Collar. Two Rings are required for Double Cylinder functions. One Ring is required for Cylinder/Turn piece functions. Finished to match deadbolt cylinder collar. Available at an extra charge.

**Weight:** .2 lb. (.09kg)

### 8098.xxx – Conversion Kits for 2" and 2.25" doors

**Packed:** One per box.

### 8297.xxx – Cylinder Collar Spacer For 8200 Series Deadbolts – For 1.375" (35mm) Door

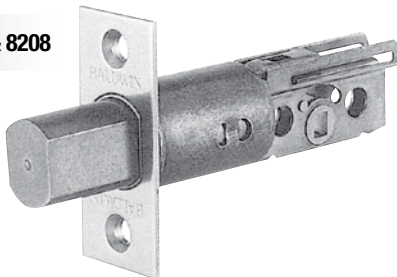
**Dimensions:** 2.5" Dia. (64mm)

**Features:** For installation on 1.375" (35mm) doors. Always used under Cylinder Collar. Two Rings are required for Double Cylinder functions. One Ring is required for Cylinder/Turn piece functions. Finished to match deadbolt cylinder collar. Available at an extra charge.

**Weight:** .3 lb. (.14kg)

## 8201, 8208 Deadbolts

8201 & 8208



Item #	Description	U/M.	Wt.	003	050, 102	402	055
					112, 150, 151 190, 260, 264	412 452	056
8201.xxx.DB	Adjustable deadbolt for double cylinder & patio	each	0.6	\$40	\$35	—	\$40
8208.xxx.DB	Adjustable deadbolt for single cylinder	each					

	Adjustable Backset	Front Length	Front Width	Type of Lockset
8201.xxx.DB	2.375" or 2.75"	2.25" (57mm)	1" (25mm)	Double
8208.xxx.DB				Single

**Features:** All Deadbolts are furnished with a 1" (25mm) throw. Each contains a saw-proof, hardened steel insert to prevent tampering. Fronts are adjustable for beveled door conditions. All deadbolts have an adjustable backset feature to accommodate 2.375" or 2.75" backsets.

**Packed:** Without fasteners. Available in case quantities of twelve (12).

**Weight:** .6 lb. (.27kg)





**GENERAL  
HARDWARE**

# GENERAL HARDWARE LETTER BOX PLATES & SLEEVE

## 0012 Letter Box Plate

0012

exterior



interior



Item #	Description	Per Box	Wt.	031, 033, 034, 040, 050	
				060, 102, 112	003
				140, 150, 151	055
				190, 260, 264	056
0012.xxx	Letter Box Plate, 13" x 3.625"	1	2(lbs)	\$75	\$89

Package size – Spring tension design – Heavy gauge wrought brass  
13" x 3.625" (330 x 92mm), Inside opening: 11.562" x 2.812" (279 x 51mm)

**FEATURES:** Very large opening will accommodate small packages.  
Bronze spring keeps flap tightly closed at all times and permits vertical installation.

## 0014 Letter Box Plate

0014

exterior



interior



Item #	Description	Per Box	Wt.	031, 033, 034, 040, 050	
				060, 102, 112	003
				140, 150, 151	055
				190, 260, 264	056
0014.xxx	Letter Box Plate, 13" x 3.625"	1	2.5 (lbs)	\$125	\$147

Package size – Spring tension design w/ covered hinging back plate – Heavy gauge wrought brass  
13" x 3.625" (330 x 92mm), Inside opening: 11.562" x 2.812" (279 x 51mm)

**FEATURES:** In addition to the features of 0012, the hinging back plate provides additional privacy and decorative appearance. Not suitable for vertical installation.

## 0015 Letter Box Plate

0015

exterior



interior



Item #	Description	Per Box	Wt.	031, 033, 034, 040, 050	
				060, 102, 112	003
				140, 150, 151	055
				190, 260, 264	056
0015.xxx	Letter Box Plate, 10" x 3"	1	1(lb)	\$95	\$111

Magazine size – Spring tension design – Heavy gauge wrought brass  
10" x 3" (254 x 92mm), Inside opening: 8.25" x 2.375" (191 x 51mm)

**FEATURES:** Bronze spring keeps flap tightly closed at all times and permits vertical installation.

## 0017 Letter Box Plate

0017

exterior



interior



Item #	Description	Per Box	Wt.	031, 033, 034, 040, 050	
				060, 102, 112	003
				140, 150, 151	055
				190, 260, 264	056
0017.xxx	Letter Box Plate, 10" x 3"	1	1.5 (lbs)	\$125	\$147

Magazine size – Spring tension design w/ covered hinging back plate – Heavy gauge wrought brass  
10" x 3" (254 x 76mm), Inside opening: 7.5" x 2" (191 x 51mm)

**FEATURES:** In addition to the features of 0015, the hinging back plate provides additional privacy and decorative appearance. Not suitable for vertical installation.

## 0050, 0052 Letterbox Sleeve

0050, 0052



Item #	Description	Per Box	Wt.	031, 033, 034, 040, 050	
				060, 102, 112	003
				140, 150, 151	055
				190, 260, 264	056
0050.324	Letter Box Sleeve, fits 0015 & 0017	1	0.5 (lb)	\$32	
0052.324	Letter Box Sleeve, fits 0012 & 0014	1	0.5 (lb)	36	

0050.324: 8.0625" L x 2.25" W x 1.6875" D (205 x 57 x 43mm) - Fits our Letter Box Plates Nos. 0015 and 0017.  
0052.324: 11.375" L x 2.75" W x 1.6875" D (289 x 70 x 43mm) - Fits our Letter Box Plates Nos. 0012 and 0014.

**FEATURES:** Made of stainless steel. Stocked for 1.75" (44mm) thick doors.

**PACKED:** One (1) per box with sheet metal screws.



GENERAL HARDWARE  
**DOOR KNOCKERS**

**0102, 0103 Colonial Knocker**

**0102, 0103**



Item #	Description	Per Box	Wt.	030, 031, 033	003, 055
				034, 040, 050	060, 102, 112
0102.xxx	Colonial Knocker	1	1	\$63	\$74
0103.xxx	Colonial Knocker w/ Observascope	1	1	81	96

**SIZE:** 6.5" x 3.5" (165 x 89mm)

**CTC OF BOLTS:** 4" (102mm)

**PACKED:** One (1) in a box, poly-bagged, with proper fasteners for 1.75" thick doors

**0105 Knocker**

**0105**



Item #	Description	Per Box	Wt.	030, 031, 033	003, 055
				034, 040, 050	060, 102, 112
0105.xxx	Knocker	1	1.9	\$87	\$103

**SIZE:** 5.5" x 4.0" (140 x 102mm)

**CTC OF BOLTS:** 4" (102mm)

**PACKED:** One (1) in a box, poly-bagged, with proper fasteners for 1.75" thick doors

**0106 French Knocker**

**0106**



Item #	Description	Per Box	Wt.	030, 031, 033	003, 055
				034, 040, 050	060, 102, 112
0106.xxx	French Knocker	1	1	\$69	\$81

**SIZE:** 7.5" x 2.5" (190 x 64mm)

**CTC OF BOLTS:** 5.7" (144mm)

**PACKED:** One (1) in a box, poly-bagged, with proper fasteners for 1.75" thick doors

**0110 Victorian Knocker**

**0110**



Item #	Description	Per Box	Wt.	030, 031, 033	003, 055
				034, 040, 050	060, 102, 112
0110.xxx	Victorian Knocker	1	1	\$69	\$92

**SIZE:** 7" x 3.5" (178 x 89mm)

**CTC OF BOLTS:** 6.437" (163mm)

**PACKED:** One (1) in a box, poly-bagged, with proper fasteners for 1.75" thick doors

**0113 "S" Knocker**

**0113**



Item #	Description	Per Box	Wt.	030, 031, 033	003, 055
				034, 040, 050	060, 102, 112
0113.xxx	"S" Knocker	1	1.8	\$138	\$163

**SIZE:** 2" dia. base (51mm), 7.8" ht. (197mm), 2.8" projection (70mm)

**CTC OF BOLTS:** 4.75" (120mm)

**PACKED:** One (1) in a box, poly-bagged, with proper fasteners for 1.75" thick doors



# GENERAL HARDWARE DOOR KNOCKERS | BELL BUTTONS

## 0116 Imperial Knocker

0116



Item #	Description	Per Box	Wt.	030, 031, 033	
				034, 040, 050	003, 055
0116.xxx	Imperial Knocker	1	1.2	\$79	\$92

**SIZE:** 8.5" x 4.125" (216 x 104mm)

**CTC OF BOLTS:** 4.75" (121mm)

**PACKED:** One (1) in a box, poly-bagged, with proper fasteners for 1.75" thick doors

## 0195 Ring Knocker

0195



Item #	Description	Per Box	Wt.	030, 031, 033	
				034, 040, 050	003, 055
0195.xxx	Ring Knocker	1	1.5	\$119	\$140

**SIZE:** 4.25" x 5.5" (108 x 140mm)

**CTC OF BOLTS:** 3.75" (95mm)

**PACKED:** One (1) in a box, poly-bagged, with proper fasteners for 1.75" thick doors

## 0155, 0156 Observascope

0155



0156



Item #	Description	Per Box	Wt.	030, 260	
				030, 260	
0155.xxx	Observ-O-Scope (doors <2.25" thick)	10	0.06	\$15	
0156.xxx	Observ-O-Scope (doors 2.25-3.25" thick)	10	0.06	\$17	

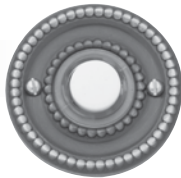
**SIZE:** .5" (13mm) diameter quality lens.

**FEATURES:** Exterior lens constructed of scientific glass to prohibit scratching while creating a field of vision exceeding 160°. All viewers are furnished with a shutter.

**INSTALLATION:** Drill a .5" (13mm) hole completely through the door; insert the lens portion into the exterior side and the slotted scope portion through the interior side. Tighten together with a standard screwdriver.

## 4850 Beaded Bell Button

4850



Item #	Description	Per Box	Wt.	030, 031, 033	
				034, 040, 050	003, 055
4850.xxx	Beaded Bell Button	1	0.1	\$44	\$51

**SIZE:** 1.75" (44mm)

**FEATURES:** Solid brass construction, Antique White button always illuminated for night detection.

**PACKED:** Individually poly-bagged. All bags are coded with product number, description and UPC codes.

**ELECTRICAL:** Switch is rated at 16V. DC

## 4851 Round Bell Button

4851



Item #	Description	Per Box	Wt.	030, 031, 033	
				034, 040, 050	003, 055
4851.xxx	Round Bell Button	1	0.1	\$41	\$48

**SIZE:** 1.75" (44mm)

**FEATURES:** Solid brass construction, Antique White button always illuminated for night detection.

**PACKED:** Individually poly-bagged. All bags are coded with product number, description and UPC codes.

**ELECTRICAL:** Switch is rated at 16V. DC

GENERAL HARDWARE  
**BELL BUTTONS | HOUSE NUMBERS**

**4852 Oval Bell Button**



4852

Item #	Description	Per Box	Wt.	030, 031, 033	003, 055
				034, 040, 050	060, 102, 112
4852.xxx	Oval Bell Button	1	0.1	\$41	\$48

**SIZE:** 2" x 1.125" (51 x 29mm)

**FEATURES:** Solid brass construction, Antique White button always illuminated for night detection.

**PACKED:** Individually poly-bagged. All bags are coded with product number, description and UPC codes.

**ELECTRICAL:** Switch is rated at 16V. DC

**4853 Rectangular Bell Button**



4853

Item #	Description	Per Box	Wt.	030, 031, 033	003, 055
				034, 040, 050	060, 102, 112
4853.xxx	Rectangular Bell Button	1	0.1	\$33	\$39

**SIZE:** 2.25" x 1" (57 x 25mm)

**FEATURES:** Solid brass construction, Antique White button always illuminated for night detection.

**PACKED:** Individually poly-bagged. All bags are coded with product number, description and UPC codes.

**ELECTRICAL:** Switch is rated at 16V. DC

**4857 Victorian Bell Button**



4857

Item #	Description	Per Box	Wt.	030, 031, 033	003, 055
				034, 040, 050	060, 102, 112
4857.xxx	Victorian Bell Button	1	0.1	\$47	\$57

**SIZE:** 2" x 1.5" (51 x 38mm)

**FEATURES:** Solid brass construction, Antique White button always illuminated for night detection.

**PACKED:** Individually poly-bagged. All bags are coded with product number, description and UPC codes.

**ELECTRICAL:** Switch is rated at 16V. DC

**4858 Oval Bell Button**



4858

Item #	Description	Per Box	Wt.	030, 031, 033	003, 055
				034, 040, 050	060, 102, 112
4858.xxx	Oval Bell Button	1	0.2	\$48	\$57

**SIZE:** 3" x 1.75" (76 x 43mm)

**FEATURES:** Solid brass construction, Antique White button always illuminated for night detection.

**PACKED:** Individually poly-bagged. All bags are coded with product number, description and UPC codes.

**ELECTRICAL:** Switch is rated at 16V. DC

**House Numbers**



Item #	Description	Per Box	Wt.	030, 031, 033	003, 055
				034, 040, 050	060, 102, 112
90670.xxx.CD	House Number - 0	1	0.6		
90671.xxx.CD	House Number - 1	1	0.6		
90672.xxx.CD	House Number - 2	1	0.6		
90673.xxx.CD	House Number - 3	1	0.6		
90674.xxx.CD	House Number - 4	1	0.6		
90675.xxx.CD	House Number - 5	1	0.6	\$20	\$23
90676.xxx.CD	House Number - 6	1	0.6		
90677.xxx.CD	House Number - 7	1	0.6		
90678.xxx.CD	House Number - 8	1	0.6		
90679.xxx.CD	House Number - 9	1	0.6		

**FEATURES:** 4.75" tall solid forged brass residential house numbers applied with truss head wood screws.

**PROJECTION:** .312" (8mm)

**PACKED:** Includes fasteners

0250 Security Door Guard



0250

Item #	Description	Per Box	Wt.	030, 031, 033 034, 040, 050 060, 102, 112 140, 150, 151 190, 260, 264	003
0250.xxx	Security Door Guard	1	0.5	\$32	\$38

**SIZE:** Jamb Plate: 1" x 2.625" (25 x 67mm)

**ARM LENGTH:** Center of Rivets/Jamb Plate to End of Arm: 4.625" (117mm)

**STRIKE PLATE:** 1.187" x 1.187" (30 x 30mm)

**STRIKE LENGTH:** 3.062" (78mm)

**FEATURES:** Allows door to be opened up to 4" while maintaining security. Hinges onto a strike mounted on door, eliminating scratching caused by conventional chain door fasteners. When not in use, the hinged door guard is positioned 180° away from door.

**PACKED:** Individually poly-bagged with sheet metalscrews. All bags are coded with product number, description and UPC codes.

0260 Chain Door Fastener



0260

Item #	Description	Per Box	Wt.	030, 031, 102 140, 260, 264
0260.xxx	Chain Door Fastener	10	3.6	\$25

**SIZE:** Door Plate: 1.375" x 3.375" (35 x 86mm)

**JAMB LENGTH:** .687" X 2" (17 X 51mm)

**CHAIN LENGTH:** 7.5" (191mm)

**FEATURES:** With chain hooked on, door can be opened 4.5"

**PACKED:** Individually poly-bagged with sheet metal screws.

0310 Strikes

HDAS



ANGL



MORT



SURF



UNIV



Item #	Description	Per Box	Wt.	030, 031, 033 034, 040, 050 060, 102, 112 140, 150, 151 190, 260, 264	003
0310.xxx.HDAS	Strike – Heavy Duty Angle Use with: 0344, 0345, 0346, 0370, 0378, 0379, 0380, 0381, 0382, 0383	1		\$26	\$27
0310.xxx.ANGL	Strike – Angle Use with: 0344, 0345, 0346, 0370, 0378, 0379, 0380, 0381, 0382, 0383	1		8	9
0310.xxx.MORT	Strike – Mortise Use with: 0345, 0370, 0378, 0379, 0380, 0381, 0382, 0383	1		8	9
0310.xxx.SURF	Strike – Surface Use with: 0344, 0345, 0346, 0370, 0378, 0379, 0380, 0381, 0382, 0383	1		8	9
0310.xxx.UNIV	Strike – Universal Use with: 0344, 0345, 0346, 0370, 0378, 0379, 0380, 0381, 0382, 0383	1		7	8

0320 Strikes

MORT



UNIV



Item #	Description	Per Box	Wt.	030, 031, 033 034, 040, 050 060, 102, 112 140, 150, 151 190, 260, 264	003
0320.xxx.MORT	Strike – Mortise Use with: 0321, 0322, 0324	10		\$10	\$13
0320.xxx.UNIV	Strike – universal Use with: 0321, 0322, 0324	10			

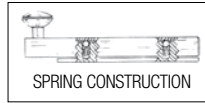
# GENERAL HARDWARE

## SURFACE BOLTS

### 0321, 0322, 0324 General Purpose Surface Bolts

Supplied w/0320 Strikes

0321,0322, 0324



Item #	Description	Per Box	Wt.	030, 031, 033 034, 040, 050 060, 102, 112 140, 150, 151 190, 260, 264		003
0321.xxx	Surface Bolt – 3"	10	1.8	\$25	\$28	
0322.xxx	Surface Bolt – 4"	10	2.2	26	29	
0324.xxx	Surface Bolt – 6"	10	3.3	29	33	

**SIZES:** .5" (13mm) width rod, .5" (13mm) width of guide, .875" (22mm) throw.

**FEATURES:** Mounted on a fully concealed guide of special design. Fasteners are not visible.

**PACKED:** Includes Universal and Mortise Strikes and screws.

**BHMA DESIGNATION:** L04151

### 0344, 0346, 0370 Decorative Heavy Duty Semi-Concealed

Supplied w/0310 Strikes

0344,0346, 0370



Item #	Description	Per Box	Wt.	030, 031, 033 034, 040, 050 060, 102, 112 140, 150, 151 190, 260, 264		003
0344.xxx	Surface Bolt – 4"	5	2.6	\$43	\$44	
0346.xxx	Surface Bolt – 6"	5	3	49	50	
0370.xxx	Surface Bolt – 8"	5	3.3	54	55	

**SIZES:** Width of rod: .625" (16mm). Width of guide: 1.5" (38mm).

**FEATURES:** Attractive and rugged bolts designed for use on heavy doors. Large and decorative 1.25" (32mm) diameter knob designed for easier handling. Heavy gauge strikes will take high abuse.

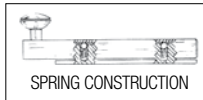
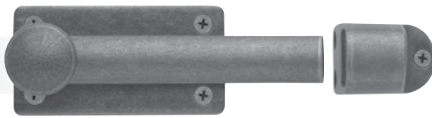
**PACKED:** 5 in a box with Universal and Mortise Strikes and screws.

**STRIKES:** Additional strikes are available at an extra charge. Consult price list.

### 0345 Heavy Duty Dutch Door Bolt

Supplied w/0310 Strike

0345



Item #	Description	Per Box	Wt.	030, 031, 033 034, 040, 050 060, 102, 112 140, 150, 151 190, 260, 264		003
0345.xxx	Dutch Door Bolt	5	3.8	\$44	\$47	

**SIZES:** Rod width: .625" (16mm). Guide width: 1.5" (38mm). Length of bolt: 4.25" (108mm). Bolt throw: 1.125" (28mm).

**FEATURES:** Our Dutch Door Bolt is made of heavy solid brass extrusions, precisely fitted for easier operation. When used on Dutch doors the leaves of doors are tightly joined by chamfered rod end. Proper amount of play is provided in strike allowing for misalignment of the two leaves. This prevents bolt from binding. Large and decorative 1.25" (32mm) diameter knob is for easier handling.

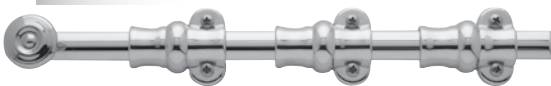
**PACKED:** 5 in a box with proper fasteners and strike as illustrated.

**STRIKES:** Universal, Angle, Mortise, and Surface Strikes available at an extra charge. Consult price list.

### 0378 – 0383 Ornamental Heavy Duty Surface Bolt

Supplied w/0310 Strike

0378 – 0383



Item #	Description	No. of Covers	Per Box	Wt.	030, 031, 033 034, 040, 050 060, 102, 112 140, 150, 151 190, 260, 264		003
0378.xxx	Surface Bolt – 4" (102mm)	2	5	3.1	\$60	\$62	
0379.xxx	Surface Bolt – 6" (152mm)	2	5	3.5	75	89	
0380.xxx	Surface Bolt – 8" (203mm)	2	1	0.8	95	111	
0381.xxx	Surface Bolt – 12" (305mm)	3	1	1.2	119	140	
0382.xxx	Surface Bolt – 18" (457mm)	3	1	1.7	138	163	
0383.xxx	Surface Bolt – 24" (610mm)	4	1	1.9	164	191	

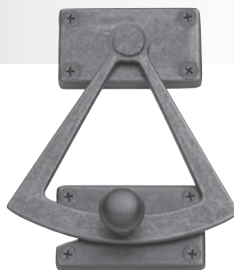
**SIZES:** Width of rod: .625" (16mm). Width of guide: 1.75" (44mm).

**FEATURES:** Ornamental cover plates conceal mounting guides underneath the bolt without marring the surface of the rod. Large 1.25" (32mm) diameter knob designed for easier operation. Heavy gauge strikes will take high abuse. 0378 and 0379 have smaller guide covers than shown on picture.

**PACKED:** Nos. 0378, 0379: 5 in a box with Universal and Mortise Strikes and screws. All others: One in a box with Universal and Mortise Strikes and screws.

**STRIKES:** Additional strikes are available at an extra charge. Consult price list.

0340



Item #	Description	Per Box	Wt.	030, 031, 033 034, 040, 050 060, 102, 112 140, 150, 151 190, 260, 264		003
0340.xxx	Dutch Door Quadrant, 4" x 4.75"	1	0.7	\$78	\$80	

**SIZES:** Base: 1.5" x 2.5" (38x64mm). Overall: 4" x 4.75" (102x121mm). Length of bolt: 4.25" (108mm). Bolt throw: 1.125" (28mm).

**FEATURES:** Fully reversible, non-handed Double the tensile strength of ordinary sand castings. Self-lubricating nylon washer for positive constant tension. When bolt is in locked position, both pivot and keeper are in straight line. Specially designed tapered strike promotes secure interlock of top and bottom leaves of Dutch doors.

**PACKED:** One in a box with wood screws.

0392 – 0395 Flush Ring Pull

0392, 0393  
0394, 0395



Item #	Description	Wt.	030, 031, 033	003, 055
			034, 040, 050	056, 402
0392.xxx	Flush Ring Pull – 1.25" x 1.5"	0.9	\$22	\$23
0393.xxx	Flush Ring Pull – 1.625" x 1.625"	1	22	NA
0394.xxx	Flush Ring Pull – 1.875" x 2.5"	2.3	32	38
0395.xxx	Flush Ring Pull – 2.5" x 3.3"	4.5	41	44

**FEATURES:** Solid forged construction for maximum strength and durability, Flush Ring Pulls, are recommended for marine use and where flush installation is essential.

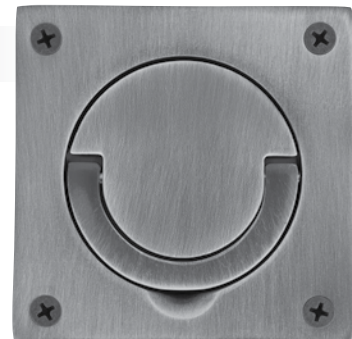
**PACKED:** Includes wood screws.

**BHMA DESIGNATION:** J404

**NOTES:** Not intended to be used as a tie down.

0397 Flush Cup Handle & Ring Pull

0397



Item #	Description	Per Box	Wt.	030, 031, 033	003, 055
				034, 040, 050	056, 402
0397.xxx	Flush Cup Handle (Brass) – 3.5" x 3.5"	1			
0397.xxx.SOL	Flush Ring Pull for latches/locks w/solid spindle	1	0.9	\$149	\$161
0397.xxx.SWL	Flush Ring Pull for latches/locks w/swivel spindle	1			

**FEATURES:** Solid forged construction for maximum strength and durability, Flush Ring Pulls, are recommended for marine use and where flush installation is essential.

**PACKED:** Includes wood screws.

**BHMA DESIGNATION:** J404

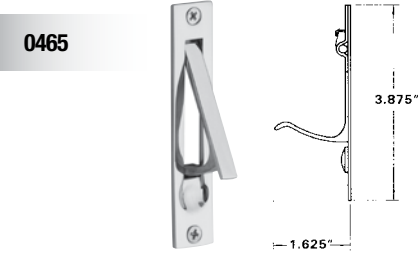
**NOTES:** Not intended to be used as a tie down.

**IMPORTANT:** No. 0397 Flush Ring Pull is specifically designed for use with mortise locks/ latches. Available only for back-to-back or single mounting applications on 2" (51mm) minimum thick doors or 1.75" (44mm) minimum thick doors with .25" (6mm) minimum applied panel. Application must be designated when ordering.

# GENERAL HARDWARE

## EDGE PULL | ROLLER & BALL CATCHES

### 0465 Edge Pull



Item #	Description	Wt.	030, 031, 033	
			034, 040, 050	003, 055
0465.xxx	Edge Pull - .75" x 1.625" x 3.875"	1.2	\$16	\$17

**FEATURES:** Specially designed spring loaded Edge Pull returns lever flush with face plate. Narrow design eliminates installation problems on thin door conditions. Intended for use on pocket door applications.

**PACKED:** Includes wood screws.

**FEDERAL SPECIFICATION EQUIVALENTS:** Government Type: 1861

**BHMA DESIGNATION:** D2801

**NOTES:** Not recommended for doors larger than 3.0' x 6'8" x 1.75" thick.

### 0425, 0426 Adjustable Ball Catch



Item #	Description	Wt.	030, 031, 033	
			034, 040, 050	003
0425.xxx	Adjustable Ball Catch (fitted in jamb)	2.1	\$19	\$24
0426.xxx	Adjustable Ball Catch (fitted in door)	2.2	19	24

**SIZE:** Face Plate: 1" x 2.125" (25 x 54mm)  
 Bore: .875" dia. x 1.25" long (22 x 32mm)  
 0425.xxx Strike: 1.06" x 2.125", Lip to Center: .56"  
 0426.xxx Strike: 1.375" x 2.125", Lip to Center: .875"

**FEATURES:** Dual adjustment ball bearing catch of excellent design takes advantage of rolling ball action for perfect tension. Infinite adjustments for compensation of various door clearances, swelling, shrinking, drafts and weights. Recommended for use on louvered, bi-folding, accordion, closet and light to medium service doors.

**PACKED:** Includes wood screws.

**FEDERAL SPECIFICATION EQUIVALENTS:** Government Type: 1861

**BHMA DESIGNATION:** D2801

**NOTES:** Not recommended for doors larger than 3.0' x 6'8" x 1.75" thick.

### 0440 Adjustable Roller Catch



Item #	Description	Wt.	030, 031, 033	
			034, 040, 050	003
0440.xxx	Adjustable Roller Catch	2.2	\$23	\$28

**SIZE:** Face Plate: 1" x 2.25" (25x57mm)  
 Bore: 1" dia. x 1.625" long (25x41mm)  
 Strike: 1.125" x 2.75" (29x70mm)  
 Lip to Center: 1.312" (33mm)

**FEATURES:** Adjustable tension heavy duty roller catches made for cabinet, closet and interior doors. (Recommended for 1.375" thick hollow core doors). Easily installed on thick doors. Smooth action. Fully adjustable from 3 lbs. (1.36kg) to 18 lbs. (8.16kg) of heading pressure. Equipped with durable nylon roller for quiet operation.

**PACKED:** Includes fasteners.

### 0430, 0432 Roller Latch w/strike



Item #	Description	Wt.	030, 031, 033	
			034, 040, 050	003
0430.xxx	Roller Latch w/ Full Lip Strike	0.7	\$75	\$80
0432.xxx	Roller Latch w/ t Strike	0.7	75	80

**SIZE:** 0432.xxx Lip To Center Dimension: 1.25" (32mm).

**FEATURES:** Designed for use on interior doors in hospitals or where quiet operation is required. Very sturdy all forged brass construction throughout. Specially compounded rubber roller silently engages the strike and holds the door firmly closed without the loud clicks of ordinary locks. The projection of the roller is adjustable for various door clearances. Specially designed adjusting screws mounted in the face plate permit fine and accurate tensioning of rubber after installation. Designed to ANSI template specifications.

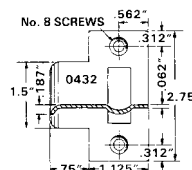
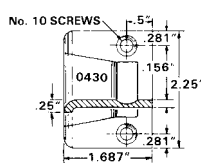
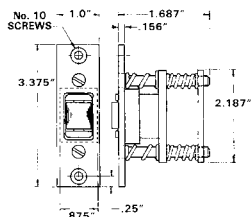
**PACKED:** Includes wood screws and machine screws.

**TEMPLATE:** Doors/frames to be prepared in accordance with ANSI A115.1-1976 or A115.2-1980.

**ORDERING INSTRUCTIONS:** Item number listed under illustrated strike designates complete latch unit and strike. (Example: 0431 includes latch mechanism and ASA strike.)

**FEDERAL SPECIFICATION EQUIVALENTS:** Government Type: 193

**BHMA DESIGNATION:** E09091





# GENERAL HARDWARE

## FLUSH, CASEMENT FASTENERS & SASH PULLS

### 0452 Sash Lock

0452



Item #	Description	Wt.	030, 031, 033 034, 040, 050 060, 102, 112 140, 150, 151 190, 260, 264		003, 402 412, 452	
0452.xxx	Sash Lock	2.2	\$18		\$20	

**SIZE:** Latch Base: .968" x 2.437" (25 x 62mm)

Strike Base: .656" x 2.437" (15 x 62mm)

**PROJECTION:** .906" (23mm)

**CTC OF HOLES:** 2" (51mm)

**FEATURES:** Traditional style sash lock with heavy duty spring to provide constant tension for a non-rattling fit. Center to center of mounting screws conforms to industry standards.

**PACKED:** Includes necessary fasteners.

**BHMA DESIGNATION:** L05121

### 0458 Flush Pull

0458



Item #	Description	Wt.	030, 031, 033 034, 040, 050 060, 102, 112 140, 150, 151 190, 260, 264		003, 402 412, 452	
0458.xxx	Flush Pull, 1.5" x 3.5"	2.7	\$23		\$26	

**SIZE:** Base: 1.5" x 3.5" (38 x 89mm)

**THICKNESS OF FLANGE:** .187" (5mm)

**FEATURES:** Decorative flush pull designed to be used as a sash lift or sliding door pull if pocket allows clearance. Colonial design makes it suitable for Early American interiors. Extra heavy solid forged brass construction.

**NOTE:** Pull has .25" projection

**PACKED:** Includes wood screws.

### 0470 Sash Lift

0470



Item #	Description	Wt.	030, 031, 033 034, 040, 050 060, 102, 112 140, 150, 151 190, 260, 264		003, 402 412, 452	
0470.xxx	Sash Lift, 4" x 1.125"	1	\$19		\$20	

**SIZE:** Base: 4" x 1.125" (102 x 29mm)

**PROJECTION:** .1" (25mm)

**PACKED:** Includes wood screws.

**FEDERAL SPECIFICATION EQUIVALENTS:** Government Type: 1204

**BHMA DESIGNATION:** L05181

### 0491 – 0493 Casement Fastener

0491, 0492, 0493



0491.xxx.MORT



0491.xxx.RIM



0491.xxx.SURF



Item #	Description	Wt.	030, 031, 033 034, 040, 050 060, 102, 112 140, 150, 151 190, 260, 264		003, 402 412, 452	
0491.xxx.MORT	Strike – Mortise		\$21		\$22	
0491.xxx.RIM	Strike – Rim		14		15	
0491.xxx.SURF	Strike – Surface		8		9	
0491.xxx	Casement Fastener w/surface strike	1.8	26		27	
0492.xxx	Casement Fastener w/rim strike	1.8	32		33	
0493.xxx	Casement Fastener w/mortise strike	1.8	39		40	

**SIZE:** Base: 1.625" x .875" (41 x 22mm)

**PROJECTION:** .1.375" (35mm)

**FEATURES:** Solid forged brass construction doubles the tensile strength over ordinary sand castings. Assembled with special self lubricating washer for positive constant tension and smooth operation. High quality design eliminates surface imperfections for attractive appearance.

**PACKED:** Includes wood screws.

**STRIKES:** Packed with one strike as specified. Other strikes available at an extra charge. Consult price list.

**FEDERAL SPECIFICATION EQUIVALENTS:** Government Type: 1135

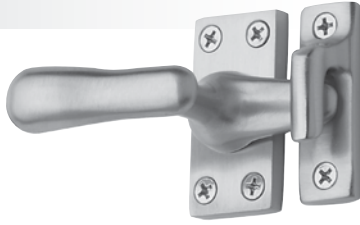
**BHMA DESIGNATION:** L05111

**ORDERING INSTRUCTIONS:** 0491 indicates Casement Fastener is furnished with a Surface Strike.  
0492 indicates Casement Fastener is furnished with a Rim Strike.  
0493 indicates Casement Fastener is furnished with a Mortise Strike.

# CASEMENT FASTENERS | COSTUME HOOKS

## 0494 – 0496 Casement Fastener

0494, 0495, 0496



0494.xxx.MORT



0494.xxx.RIM



0494.xxx.SURF



Item #	Description	Wt.	030, 031, 033 034, 040, 050 060, 102, 112 140, 150, 151 190, 260, 264	003, 402 412, 452
0494.xxx.MORT	Strike – Mortise		\$16	\$18
0494.xxx.RIM	Strike – Rim		24	25
0494.xxx.SURF	Strike – Surface		9	10
0494.xxx	Casement Fastener w/surface strike	3.8	27	28
0495.xxx	Casement Fastener w/rim strike	3.8	42	43
0496.xxx	Casement Fastener w/mortise stike	3.8	34	36

**SIZE:** Base: 2.0625" x 1.0625" (52 x 27mm)

**PROJECTION:** 1.875" (48mm)

**FEATURES:** Solid forged brass construction doubles the tensile strength over ordinary sand castings. Assembled with special self lubricating washer for positive constant tension and smooth operation. High quality design eliminates surface imperfections for attractive appearance.

**PACKED:** Includes wood screws.

**STRIKES:** Packed with one strike as specified. Other strikes available at an extra charge. Consult price list.

**FEDERAL SPECIFICATION EQUIVALENTS:** Government Type: 1135

**BHMA DESIGNATION:** L05101

**ORDERING INSTRUCTIONS:** 0494 indicates Casement Fastener is furnished with a Surface Strike.  
0495 indicates Casement Fastener is furnished with a Rim Strike.  
0496 indicates Casement Fastener is furnished with a Mortise Strike.

## 0740, 0742, 0781, 0782 Costume Hook

0740



0742



0781



0782



Item #	Description	Wt.	030, 031, 033 034, 040, 050 060, 102, 112 140, 150, 151 190, 260, 264	402 412, 452
0740.xxx	Costume Hook, 2.25" (57mm) height x 3" (76mm) projection	1.7	\$20	\$21
0742.xxx	Costume Hook, 5.375" (137mm) h. x 3.5" (89mm) p.	0.5	29	30
0781.xxx	Costume Hook, 2.875" (73mm) h. x 3.25" (83mm) p.	1.1	26	30
0782.xxx	Costume Hook, 2.1875" (56mm) h. x 2.5" (64mm) p.	1	26	27

**HEIGHT:** 2.25" (57mm)

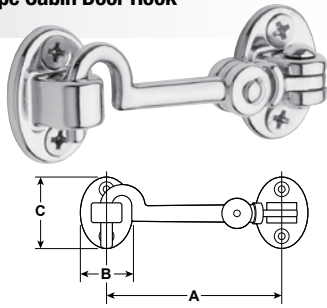
**PROJECTION:** 3" (76mm)

**FEDERAL SPECIFICATION EQUIVALENTS:** Government Type: 1172

**BHMA DESIGNATION:** L03111

0950 – 0952 Swivel Type Cabin Door Hook

0950, 0951, 0952

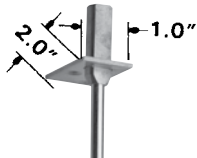


Item #	Description	Wt.	030, 031, 033 034, 040, 050 060, 102, 112 140, 150, 151 190, 260, 264		003, 402 412, 452
0950.xxx	Cabin Door Hook – swivel type – 2.5"	1.5	\$27	\$28	
0951.xxx	Cabin Door Hook – swivel type – 3.5"	3.4	33	34	
0952.xxx	Cabin Door Hook – swivel type – 5.5"	5	40	41	

**FEATURES:** These hooks are designed with a dual hinge action and tapered end to eliminate rattle and ensure secure fit  
**PACKED:** Complete with wood screws.

Dimensions	A	B	C
0950.xxx	2.5"	0.84"	1.125"
0951.xxx	3.5"	1.125"	1.5"
0952.xxx	5.5"	1.25"	1.6"

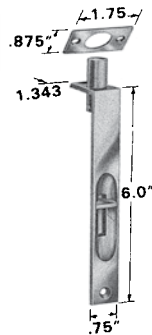
0600, 0626 Flush Bolts



0600



0626



Item #	Description	Wt.	030, 031, 033 034, 040, 050 060, 102, 112 140, 150, 151 190, 260, 264		003, 402 412, 452
0600.xxx.12	Flush Bolt w/ 12" Rod (Standard)	1.8			
0600.xxx.18	Flush Bolt w/ 18" Rod	1.8	\$28	\$29	
0600.xxx.24	Flush Bolt w/ 24" Rod	1.8			
0626.xxx	Flush Bolt – 6"	3.8	22	23	

**0600.xxx**

**SIZE:** Face Plate: 1" x 6.75" (25mm x 171mm).

Bolt Head: .5" (13mm). Rod Backset: .75" (19mm).

**FEATURES:** Hot forged extension bolt having over .75" (19mm) throw. Unique push button design of lever and delay action for easy operation. Lever does not engage the bolt until it is hinged freely to 45 angle. At this position it is easy to move the bolt head. Lever snaps automatically when hinged beyond 45 angle. Made to template for easy installation in metal door frames. Use of strike optional.

**PACKED:** One in a box with 12" (305mm) rods standard. Bolts packed with machine/wood screws for all conditions. Lengths given are from center of bolt mechanism with bolt retracted.

**FEDERAL SPECIFICATION EQUIVALENTS:** Government Type: 1049

**BHMA DESIGNATION:** L04081

**0626.xxx**

**SIZE:** 1" Throw, .47" Backset of Rod, .5" Bolt Head Diameter.

**FEATURES:** 6" (152mm) length. Sharply defined edge and recess. Smooth working action with automatic holding spring for both retracted and projected positions.

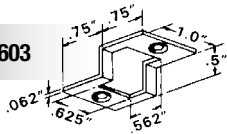
**PACKED:** Individually poly-bagged with screws and strike, 10 in a box.

0602 – 0604 Rabbeted Parts

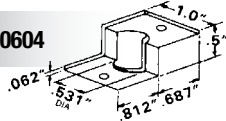
0602



0603



0604



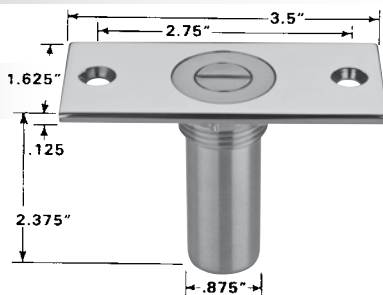
Item #	Description	Wt.	030, 031, 033 034, 040, 050 060, 102, 112 140, 150, 151 190, 260, 264		003, 402 412, 452
0602.xxx	Rabbeted Piece for 0600 (Includes Screws)	0.8	\$52	\$62	
0603.xxx	Rabbeted Strike		52	57	
0604.xxx	Rabbeted Guide		41	43	

**0603.xxx, 0604.xxx**

**NOTE:** All holes countersunk for no. 6F.M. screws.

0622 Locking Type Dustproof Strike

0622



Item #	Description	Wt.	030, 031, 033 034, 040, 050 060, 102, 112 140, 150, 151 190, 260, 264		003, 402 412, 452
0622.xxx	Dustproof Strike	0.6	\$22	\$23	

**FEATURES:** Dustproof strike is ideal for concrete installations. Large size plate and the spread of screw holes have better holding power in concrete slabs. This dustproof strike can be used for installation in metal thresholds by removing the face plate. To install, drill 1" (25mm) diameter hole and tighten lock nut. To lock the strike for pedestrian traffic, insert a coin in slot and turn clockwise. To convert for flush bolt use, turn counterclockwise.

**PACKED:** Solid brass locking type dustproof strike with face plate, machine screws and expansion shields.

**NOTE:** For use with 0600 Flush Bolt only.

GENERAL HARDWARE  
**KICK PLATES**

**2000.xxx.0630 Kick Plate**

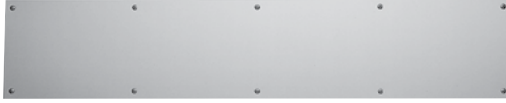
Item #	Description	Wt.	040	
			102, 112, 190	003, 055, 056
2000.xxx.0630	6" x 30", .05" thick brass		\$55	\$70

**FEATURES:** Protect bottom of doors from scuffing. Holes are spaced approximately 6" on centers. Most plates supplied with Phillips head sheet metal screws to match. Plates are not beveled.

**PACKED:** Each plate is wrapped in strong kraft paper and supplied with matching fasteners.

**PROTECTIVE COATING:** All brass plates are coated with a highly durable baked-on enamel to protect the finish.

**2000.xxx.0630**



**2000.xxx.0634, 2000.xxx.0830, 2000.xxx.0834 Kick Plates**

Item #	Description	Wt.	031, 040, 050 060, 102, 112	
			150, 151, 190	003, 055, 056
2000.xxx.0634	6" x 34", .05" thick brass		\$80	\$95
2000.xxx.0830	8" x 30", .05" thick brass		92	107
2000.xxx.0834	8" x 34", .05" thick brass		92*	107

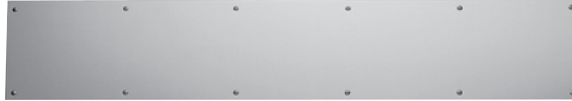
\*Also available in 264

**FEATURES:** Protect bottom of doors from scuffing. Holes are spaced approximately 6" on centers. Most plates supplied with Phillips head sheet metal screws to match. Plates are not beveled.

**PACKED:** Each plate is wrapped in strong kraft paper and supplied with matching fasteners.

**PROTECTIVE COATING:** All brass plates are coated with a highly durable baked-on enamel to protect the finish.

**2000.xxx.0634**



2110, 2115 Rounded

2110, 2115



Item #	Description	Wt.	030, 031, 033 034, 040, 050 060, 102, 112 140, 150, 151 190, 260, 264		003
2110.xxx	Round Corner Push Plate – 3.5" x 15"	0.8	\$30		\$35
2115.xxx	Round Corner Push Plate – 4" x 16"	0.9	36		41

**FEATURES:** Mix any door pulls and push plates shown to create your own look. Pulls are always centered on plates.

**PACKED:** Each plate is individually wrapped and furnished with oval head–undercut, stainless steel, sheet metal screws plated to match.

**BHMA DESIGNATION:** J302

2121 – 2124 Square Edge

2121, 2123, 2124



Item #	Description	Wt.	030, 031, 033 034, 040, 050 060, 102, 112 140, 150, 151 190, 260, 264		003
2121.xxx	Square Edge Push Plate – 3" x 12"	0.5			
2123.xxx	Square Edge Push Plate – 3.5" x 15"	0.9	\$37		\$49
2124.xxx	Square Edge Push Plate – 4" x 16"	1	34		

**FEATURES:** Mix any door pulls and push plates shown to create your own look. Pulls are always centered on plates.

**PACKED:** Each plate is individually wrapped and furnished with oval head–undercut, stainless steel, sheet metal screws plated to match.

**BHMA DESIGNATION:** J301

2262, 2265 Arched

2262, 2265



Item #	Description	Wt.	030, 031, 033 034, 040, 050 060, 102, 112 140, 150, 151 190, 260, 264		003
2262.xxx	Arched Push Plate – 3.5" x 12"	0.6	\$43		\$48
2265.xxx	Arched Push Plate – 3.5" x 15"	0.7	49		61

**FEATURES:** Mix any door pulls and push plates shown to create your own look. Pulls are always centered on plates.

**PACKED:** Each plate is individually wrapped and furnished with full thread wood screws.

2275, 2276 Scalloped

2275, 2276



Item #	Description	Wt.	030, 031, 033 034, 040, 050 060, 102, 112 140, 150, 151 190, 260, 264		003
2275.xxx	Scalloped Push Plate – 3.5" x 15"	1.5	\$49		\$61
2276.xxx	Scalloped Push Plate – 3" x 12"	1	43		

**FEATURES:** Mix any door pulls and push plates shown to create your own look. Pulls are always centered on plates.

**PACKED:** Each plate is individually wrapped and furnished with full thread wood screws.

2280, 2281 Nashville

2280, 2281



Item #	Description	Wt.	030, 031, 034, 040, 050 060, 102, 112 140, 150, 151 190, 260, 264		003
2280.xxx	Nashville Push Plate – 3.5" x 15"	1.9	\$117		\$153
2281.xxx	Nashville Push Plate – 3.5" x 20"	2.6	102		133

**FEATURES:** Mix any door pulls and push plates shown to create your own look. Pulls are always centered on plates.

**PACKED:** Each plate is individually wrapped and furnished with full thread wood screws.

# GENERAL HARDWARE PUSH PLATES | PULL PLATES

## 2282 San Francisco

2282



Item #	Description	Wt.	030, 031, 033 034, 040, 050 060, 102, 112 140, 150, 151 190, 260, 264	003
2282.xxx	San Francisco Push Plate – 2.25" x 11.875"	1.3	\$128	\$133

**FEATURES:** Mix any door pulls and push plates shown to create your own look. Pulls are always centered on plates.  
**PACKED:** Each plate is individually wrapped and furnished with oval head–undercut, stainless steel, sheet metal screws plated to match.

## 2285 Bristol

2285



Item #	Description	Wt.	030, 031, 033 034, 040, 050 060, 102, 112 140, 150, 151 190, 260, 264	003, 402 412, 452
2285.xxx	Bristol Push Plate – 2.75" x 11"	1.4	\$117	\$153

**FEATURES:** Mix any door pulls and push plates shown to create your own look. Pulls are always centered on plates.  
**PACKED:** Each plate is individually wrapped and furnished with oval head–undercut, stainless steel, sheet metal screws plated to match.

## 2331, 2335, 2337, 2355, 2357 Pull Plate

2331, 2335, 2337



Item #	Description	Wt.	030, 031, 034, 040, 050 060, 102, 112 140, 150, 151 190, 260, 264	003, 402 412, 452
2331.xxx	2560 Pull x 2121 Pull Plate – 3" x 12"	1.3		
2335.xxx	2560 Pull x 2123 Pull Plate – 3.5" x 15"	1.5	\$149	\$175
2337.xxx	2560 Pull x 2124 Pull Plate – 4" x 16"	1.7		
2355.xxx	2540 Pull x 2123 Pull Plate – 3.5" x 15"	1.6		
2357.xxx	2540 Pull x 2124 Pull Plate – 4" x 16"		157	175

**FEATURES:** Pulls are attached to plates with concealed fasteners for ease of installation.  
**PACKED:** One complete pull plate in a box with fasteners for 1.75" (44mm) thick door.  
**SPECIAL FASTENERS:** Order 6501.000.D for door 1-7/8" to 2-1/4" thick. Consult price list.  
**BHMA EQUIVALENTS:** Baldwin Product Nos.: 2330/2350 Series  
**BHMA DESIGNATION:** J405

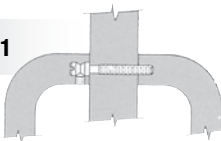
2355, 2357



## Pull – Invisible Mounting Methods

Back-To-Back Applications without Push Plates only

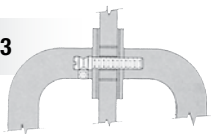
MTG1



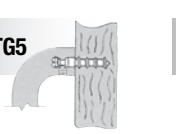
MTG2



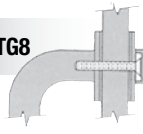
MTG3



MTG5



MTG8



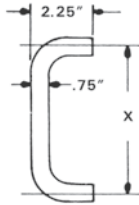
Item #	Description	Additional Charge
xxxx.xxx.MTG1	Wood Door w/ thru Bolt, Back-to-Back Set	\$19
xxxx.xxx.MTG2	Hollow Metal Door, Back-to-Back Set	19
xxxx.xxx.MTG3	Glass Door Prep w/ rosettes, Back-to-Back Set	75
xxxx.xxx.MTG5	Wood Door, no thru Bolt, Per Pull	13
xxxx.xxx.MTG8	Glass Door Prep w/ rosettes, Per Pull	39

**NOTE:** MTG1 - Minimum Pull Thickness: .5" (13mm)  
MTG2 - Minimum Pull Thickness: .5" (13mm), Door must be reinforced at application points.  
MTG3 - Minimum Pull Thickness: .5" (13mm), Minimum Glass Thickness: 3/8", Hole Size: 7/8"  
MTG5 - Minimum Pull Thickness: .5" (13mm)  
MTG8 - Minimum Pull Thickness: None, Complete with screw cover  
**ORDERING INSTRUCTIONS:** ALWAYS specify door thickness when ordering invisible mounting applications. Refer to examples when ordering pulls:  
2704.xxx.MTG1 - will include two 2704 pulls and mounting hardware for specifications shown.  
2704.xxx.MTG5 - will include one 2704 pull and mounting hardware for specifications shown.  
**NOTE:** Set screw location will vary by style selected.



2540, 2552, 2553 Contemporary & San Diego

2540, 2552, 2553



Item #	Description	030, 031, 033 034, 040, 050 060, 102, 112 140, 150, 151 190, 260, 264	003, 402 412, 452
2540.xxx	Contemporary – 5.5" CTC		
2552.xxx	San Diego – 8" CTC	\$95	\$120
2553.xxx	Contemporary – 10" CTC		

**FEATURES:** Mix any door pulls and push plates shown to create your own look. Contemporary and traditional screw covers are available to conceal heads of thru bolts.

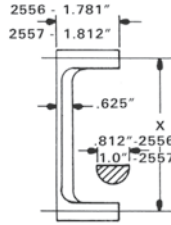
**PACKED:** One pull in a box with thru bolts for 1.75" thick doors.

**NOTE:** For door thickness 1.825-2.25" use 6501.000.D conversion kit.

**HANDICAP:** Pulls designated have 1.5" maximum inside projection to meet ADA, ANSI & handicap code conditions.

2556, 2557 New York/Princeton/Richland & Atlanta

2556, 2557



Item #	Description	030, 031, 033 034, 040, 050 060, 102, 112 140, 150, 151 190, 260, 264	003, 402 412, 452
2556.xxx	New York/Princeton/Richland – 5.75" CTC		
2557.xxx	Atlanta – 7" CTC	\$95	\$120

**FEATURES:** Mix any door pulls and push plates shown to create your own look. Contemporary and traditional screw covers are available to conceal heads of thru bolts.

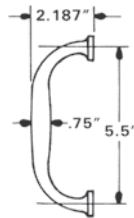
**PACKED:** One pull in a box with thru bolts for 1.75" thick doors.

**NOTE:** For door thickness 1.825-2.25" use 6501.000.D conversion kit.

**HANDICAP:** Pulls designated have 1.5" maximum inside projection to meet ADA, ANSI & handicap code conditions.

2560 Utility  
Not available for back-to-back mounting

2560



Item #	Description	030, 031, 033 034, 040, 050 060, 102, 112 140, 150, 151 190, 260, 264	003, 402 412, 452
2560.xxx*	Utility – 5.5" CTC	\$95	\$120

\*Not available back-to-back mounting

**FEATURES:** Mix any door pulls and push plates shown to create your own look. Contemporary and traditional screw covers are available to conceal heads of thru bolts.

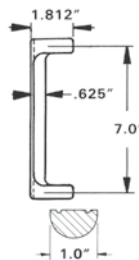
**PACKED:** One pull in a box with thru bolts for 1.75" thick doors.

**NOTE:** For door thickness 1.825-2.25" use 6501.000.D conversion kit.

**HANDICAP:** Pulls designated have 1.5" maximum inside projection to meet ADA, ANSI & handicap code conditions.

2564 Tremont & Empire

2564



Item #	Description	030, 031, 033 034, 040, 050 060, 102, 112 140, 150, 151 190, 260, 264	003, 402 412, 452
2564.xxx	Tremont/Empire – 7" CTC	\$95	\$120

**FEATURES:** Mix any door pulls and push plates shown to create your own look. Contemporary and traditional screw covers are available to conceal heads of thru bolts.

**PACKED:** One pull in a box with thru bolts for 1.75" thick doors.

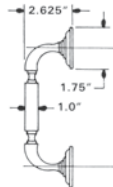
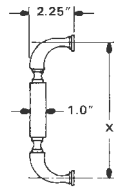
**NOTE:** For door thickness 1.825-2.25" use 6501.000.D conversion kit.

**HANDICAP:** Pulls designated have 1.5" maximum inside projection to meet ADA, ANSI & handicap code conditions.

2574 – 2576, 2578 Richmond

2574, 2575

2576, 2578



Item #	Description	030, 031, 033 034, 040, 050 060, 102, 112 140, 150, 151 190, 260, 264	003, 402 412, 452
2574.xxx	Richmond – 8" CTC		
2575.xxx	XL Richmond – 10" CTC	\$145	\$167
2576.xxx	Richmond w/roses – 8" CTC		
2578.xxx	XL Richmond w/roses – 10" CTC		

**FEATURES:** Mix any door pulls and push plates shown to create your own look. Contemporary and traditional screw covers are available to conceal heads of thru bolts.

**PACKED:** One pull in a box with thru bolts for 1.75" thick doors.

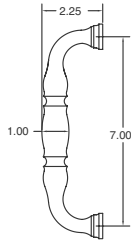
**NOTE:** For door thickness 1.825-2.25" use 6501.000.D conversion kit.

**HANDICAP:** Pulls designated have 1.5" maximum inside projection to meet ADA, ANSI & handicap code conditions.

# GENERAL HARDWARE DOOR PULLS

## 2584 Hamilton

2584



030, 031, 033	003, 402
034, 040, 050	412, 452
060, 102, 112	
140, 150, 151	
190, 260, 264	

Item #	Description		
2584.xxx	Hamilton – 7" CTC	\$145	\$167

**FEATURES:** Mix any door pulls and push plates shown to create your own look. Contemporary and traditional screw covers are available to conceal heads of thru bolts.

**PACKED:** One pull in a box with thru bolts for 1.75" thick doors.

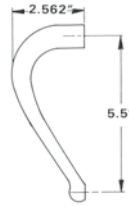
**NOTE:** For door thickness 1.825-2.25" use 6501.000.D conversion kit.

**HANDICAP:** Pulls designated have 1.5" maximum inside projection to meet ADA, ANSI & handicap code conditions.

## 2585 Concord

Not available for back-to-back mounting

2585



030, 031, 033	003, 402
034, 040, 050	412, 452
060, 102, 112	
140, 150, 151	
190, 260, 264	

Item #	Description		
2585.xxx*	Concord – 5.5" CTC	\$145	\$167

\*Not available back-to-back mounting

**FEATURES:** Mix any door pulls and push plates shown to create your own look. Contemporary and traditional screw covers are available to conceal heads of thru bolts.

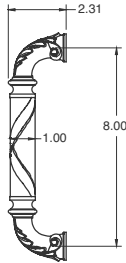
**PACKED:** One pull in a box with thru bolts for 1.75" thick doors.

**NOTE:** For door thickness 1.825-2.25" use 6501.000.D conversion kit.

**HANDICAP:** Pulls designated have 1.5" maximum inside projection to meet ADA, ANSI & handicap code conditions.

## 2597 Edinburgh

2597



030, 031, 033	003, 402
034, 040, 050	412, 452
060, 102, 112	
140, 150, 151	
190, 260, 264	

Item #	Description		
2597.xxx	Edinburgh – 8" CTC	\$145	\$167

**FEATURES:** Mix any door pulls and push plates shown to create your own look. Contemporary and traditional screw covers are available to conceal heads of thru bolts.

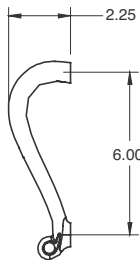
**PACKED:** One pull in a box with thru bolts for 1.75" thick doors.

**NOTE:** For door thickness 1.825-2.25" use 6501.000.D conversion kit.

**HANDICAP:** Pulls designated have 1.5" maximum inside projection to meet ADA, ANSI & handicap code conditions.

## 2598 Bristol

2598



030, 031, 033	003, 402
034, 040, 050	412, 452
060, 102, 112	
140, 150, 151	
190, 260, 264	

Item #	Description		
2598.xxx	Bristol – 6" CTC	\$145	\$167

**FEATURES:** Mix any door pulls and push plates shown to create your own look. Contemporary and traditional screw covers are available to conceal heads of thru bolts.

**PACKED:** One pull in a box with thru bolts for 1.75" thick doors.

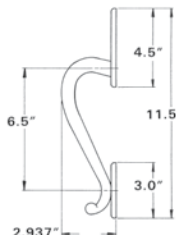
**NOTE:** For door thickness 1.825-2.25" use 6501.000.D conversion kit. Not available in back to back mounting.

**HANDICAP:** Pulls designated have 1.5" maximum inside projection to meet ADA, ANSI & handicap code conditions.

## 2602 Lexington

w/plates  
Not available for back-to-back mounting

2602



030, 031, 033	003, 402
034, 040, 050	412, 452
060, 102, 112	
140, 150, 151	
190, 260, 264	

Item #	Description		
2602.xxx*	Lexington w/plates – 6.5" CTC	\$95	\$120

Not Available back-to-back mounting.

**FEATURES:** Mix any door pulls and push plates shown to create your own look. Contemporary and traditional screw covers are available to conceal heads of thru bolts.

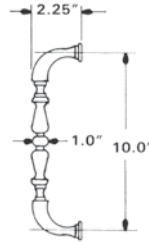
**PACKED:** One pull in a box with thru bolts for 1.75" thick doors.

**NOTE:** For door thickness 1.825-2.25" use 6501.000.D conversion kit.

**HANDICAP:** Pulls designated have 1.5" maximum inside projection to meet ADA, ANSI & handicap code conditions.

2604 Rensselaer

2604



Item #	Description
2604.xxx	Rensselaer – 10" C/C

030, 031, 033	003, 402
034, 040, 050	412, 452
060, 102, 112	
140, 150, 151	
190, 260, 264	

**FEATURES:** Mix any door pulls and push plates shown to create your own look. Contemporary and traditional screw covers are available to conceal heads of thru bolts.

**PACKED:** One pull in a box with thru bolts for 1.75" thick doors.

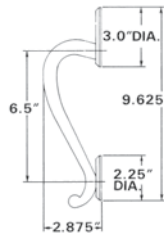
**NOTE:** For door thickness 1.825-2.25" use 6501.000.D conversion kit.

**HANDICAP:** Pulls designated have 1.5" maximum inside projection to meet ADA, ANSI & handicap code conditions.

\$145 \$167

2608 Pitcher  
Surface Mount

2608



Item #	Description
2608.xxx	Pitcher, surface mount – 6.5" C/C

030, 031, 033	003, 402
034, 040, 050	412, 452
060, 102, 112	
140, 150, 151	
190, 260, 264	

**FEATURES:** Mix any door pulls and push plates shown to create your own look. Contemporary and traditional screw covers are available to conceal heads of thru bolts.

**PACKED:** One pull in a box with thru bolts for 1.75" thick doors.

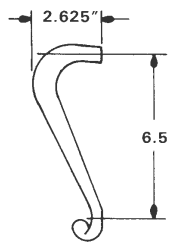
**NOTE:** For door thickness 1.825-2.25" use 6501.000.D conversion kit.

**HANDICAP:** Pulls designated have 1.5" maximum inside projection to meet ADA, ANSI & handicap code conditions.

\$95 \$120

2617 Springfield  
Not available for back-to-back mounting

2617



Item #	Description
2617.xxx*	Springfield – 6.5"

030, 031, 033	003, 402
034, 040, 050	412, 452
060, 102, 112	
140, 150, 151	
190, 260, 264	

\*Not available back-to-back mounting

**FEATURES:** Mix any door pulls and push plates shown to create your own look. Contemporary and traditional screw covers are available to conceal heads of thru bolts.

**PACKED:** One pull in a box with thru bolts for 1.75" thick doors.

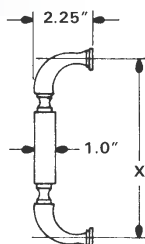
**NOTE:** For door thickness 1.825-2.25" use 6501.000.D conversion kit.

**HANDICAP:** Pulls designated have 1.5" maximum inside projection to meet ADA, ANSI & handicap code conditions.

\$95 \$120

2673 Lancaster/Charleston/Plymouth

2673



Item #	Description
2673.xxx	Lancaster/Charleston/Plymouth – 6" C/C

030, 031, 033	003, 402
034, 040, 050	412, 452
060, 102, 112	
140, 150, 151	
190, 260, 264	

**FEATURES:** Mix any door pulls and push plates shown to create your own look. Contemporary and traditional screw covers are available to conceal heads of thru bolts.

**PACKED:** One pull in a box with thru bolts for 1.75" thick doors.

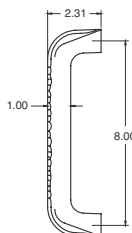
**NOTE:** For door thickness 1.825-2.25" use 6501.000.D conversion kit.

**HANDICAP:** Pulls designated have 1.5" maximum inside projection to meet ADA, ANSI & handicap code conditions.

\$145 \$167

2674 Pasadena

2674



Item #	Description
2674.xxx	Pasadena – 8" C/C

030, 031, 033	003, 402
034, 040, 050	412, 452
060, 102, 112	
140, 150, 151	
190, 260, 264	

**FEATURES:** Mix any door pulls and push plates shown to create your own look. Contemporary and traditional screw covers are available to conceal heads of thru bolts.

**PACKED:** One pull in a box with thru bolts for 1.75" thick doors.

**NOTE:** For door thickness 1.825-2.25" use 6501.000.D conversion kit.

**HANDICAP:** Pulls designated have 1.5" maximum inside projection to meet ADA, ANSI & handicap code conditions.

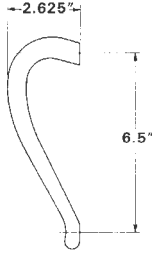
\$145 \$167

GENERAL HARDWARE  
**PULLS**

**2692 Trenton**

Not available for back-to-back mounting

2692



**Item # Description**

2692.xxx*	Trenton – 6.5" C/C	\$145	\$167
-----------	--------------------	-------	-------

\*Not available back-to-back mounting

**FEATURES:** Mix any door pulls and push plates shown to create your own look. Contemporary and traditional screw covers are available to conceal heads of thru bolts.

**PACKED:** One pull in a box with thru bolts for 1.75" thick doors.

**NOTE:** For door thickness 1.825-2.25" use 6501.000.D conversion kit.

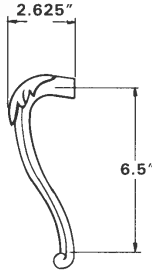
**HANDICAP:** Pulls designated have 1.5" maximum inside projection to meet ADA, ANSI & handicap code conditions.

030, 031, 033	003, 402
034, 040, 050	412, 452
060, 102, 112	
140, 150, 151	
190, 260, 264	

**2693 Kensington/Victoria**

Not available for back-to-back mounting

2693



**Item # Description**

2693.xxx*	Kensington/Victoria – 6.5" C/C	\$145	\$167
-----------	--------------------------------	-------	-------

\*Not available back-to-back mounting

**FEATURES:** Mix any door pulls and push plates shown to create your own look. Contemporary and traditional screw covers are available to conceal heads of thru bolts.

**PACKED:** One pull in a box with thru bolts for 1.75" thick doors.

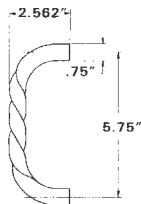
**NOTE:** For door thickness 1.825-2.25" use 6501.000.D conversion kit.

**HANDICAP:** Pulls designated have 1.5" maximum inside projection to meet ADA, ANSI & handicap code conditions.

030, 031, 033	003, 402
034, 040, 050	412, 452
060, 102, 112	
140, 150, 151	
190, 260, 264	

**2704 Monterey**

2704



**Item # Description**

2704.xxx	Monterey – 5.75" C/C	\$145	\$167
----------	----------------------	-------	-------

**FEATURES:** Mix any door pulls and push plates shown to create your own look. Contemporary and traditional screw covers are available to conceal heads of thru bolts.

**PACKED:** One pull in a box with thru bolts for 1.75" thick doors.

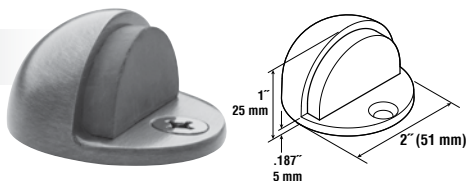
**NOTE:** For door thickness 1.825-2.25" use 6501.000.D conversion kit.

**HANDICAP:** Pulls designated have 1.5" maximum inside projection to meet ADA, ANSI & handicap code conditions.

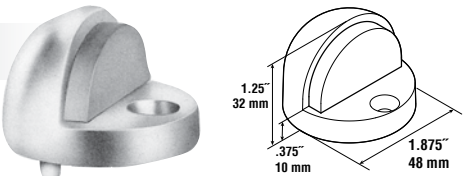
030, 031, 033	003, 402
034, 040, 050	412, 452
060, 102, 112	
140, 150, 151	
190, 260, 264	

## 4000, 4005, 4010 Half Dome Door Bumper

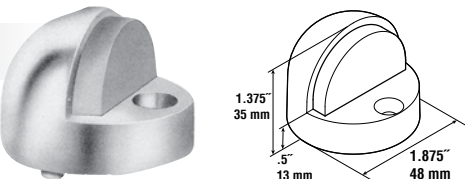
4000



4005



4010



Item #	Description	Per Box	Wt.	030, 031, 033 034, 040, 050 060, 102, 112 140, 150, 151 190, 260, 264	
				402	412
4000.xxx	Half Dome Door Bumper – 1" Ht.	50	12		
4005.xxx	Half Dome Door Bumper – 1.25" Ht.	40	16.6	\$13	\$18
4010.xxx	Half Dome Door Bumper – 1.375" Ht.	40	19		

**FEATURES:** "Half Dome" design minimizes stumbling hazards and cleaning interference. Thick solid rubber bumper of special design is compounded for greater resiliency.

**PACKED:** Individually poly-bagged with appropriate fasteners in a dispensing type carton.

**FASTENERS:** Supplied with fasteners for wood, plaster, and masonry installations.

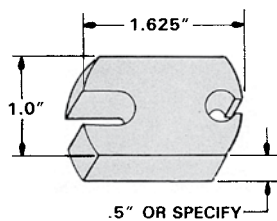
**FEDERAL SPECIFICATION EQUIVALENTS:** Government Type: 1330/1330A

**BHMA DESIGNATION:** L02141 (No. 4000)  
L02161 (No. 4005/No. 4010)

**REPLACEMENT RUBBER:** No. 4000.406 for 4000/4005/4010 (Grey)

## 4207, 4209, 4210 Riser for Dome Bumper

4207, 4209, 4210



Item #	Description	Per Box	Wt.	030, 031, 033 034, 040, 050 060, 102, 112 140, 150, 151 190, 260, 264	
				402	412
4207.xxx	Riser for Dome Bumper – .5" Ht.	25	2.5	\$10	
4209.xxx	Riser for Dome Bumper – .75" Ht.	25	3.3	12	
4210.xxx	Riser for Dome Bumper – .75" Ht.	25	3.5	11	

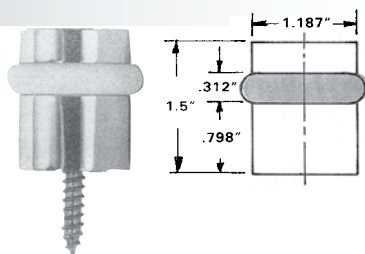
**FEATURES:** Made for use on carpeted floors. Only an "X" cut is required in the carpet to install the riser. The pile of the carpet will form around the riser and fill in under the bumper, concealing the installation. Made of extruded aluminum; mill finish. When ordered separately, risers are furnished with fasteners, plated to match door bumpers.

**PACKED:** Individually poly-bagged with appropriate fasteners.

**ORDERING INSTRUCTIONS:** To determine overall bumper height with riser, refer to door bumper chart. Risers are designed to fit all No. 4000 series floor bumpers. Always specify floor condition and finish for proper fastener.

## 4505 Universal Floor Bumper

4505



Item #	Description	Per Box	Wt.	030, 031, 033 034, 040, 050 060, 102, 112 140, 150, 151 190, 260, 264	
				402	412
4505.xxx	Floor Bumper – 1.5" Dia.	10	4	\$24	\$29

**FEATURES:** Designed for concealed mounting applications, this contemporary floor bumper contains the mounting screw within the body of the bumper. The rubber insert is located .798" (20mm) from the bottom to function on doors with a .375" (9.5mm) to a 1" (25mm) undercut. To facilitate the replacement of the rubber guard, simply remove the top cap.

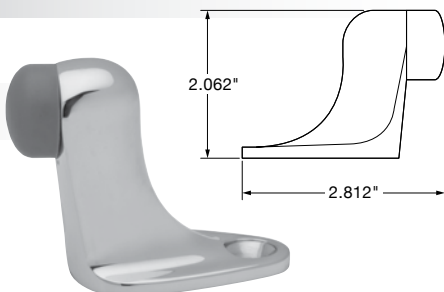
**PACKED:** Individually poly-bagged with appropriate fasteners.

**ORDERING INSTRUCTIONS:** Supplied with a wood screw and plastic anchor.aa

**REPLACEMENT RUBBER:** No. 4507.406.00035 (Grey)

## 4510 Floor Bumper

4510



Item #	Description	Per Box	Wt.	030, 031, 033 034, 040, 050 060, 102, 112 140, 150, 151 190, 260, 264	
				402	412
4510.xxx	Floor Bumper	1	0.6	\$30	\$35

**FEATURES:** Forged construction floor bumper is designed for use on doors with or without thresholds. Modern and streamlined shape reduces obtrusive appearance. High projection obviates the use of inventorying different heights of floor bumpers.

**PACKED:** Supplied with wood and masonry fasteners.

**BHMA Designation:** L02181

**REPLACEMENT RUBBER:** No. 5202.009.00009 (Grey)

# DOOR STOPS DOOR & WALL MOUNTED

## 4100, 4101, 4105, 4507 Lever Type Door Holder

4100, 4105



4101



Item #	Description	Per Box	Wt.	030, 031, 033 034, 040, 050 060, 102, 112 140, 150, 151 190, 260, 264		402 412 452	
4100.xxx	Lever Door Holder – 4" L.-Max floor clearance: 3"	10	4.4	\$27			
4101.406*	Replacement tip for 4100	1		1			
4105.xxx	Lever Door Holder – 5" L.-Max floor clearance: 4"	10	5	29		34	

\*Finish 406 only

**FEATURES:** Forged Brass construction incorporating a stainless steel hinging pin for added strength. This holder can be operated by foot. Highest quality non-marring rubber tip grips floor and holds the door at any desired opening. A spring catch holds the lever in an upright, disengaged position when holder is not in use. Specially designed rubber shoe will not loosen in service but can easily be replaced.

**PACKED:** Individually poly-bagged with appropriate fasteners in a dispensing type carton.

**FASTENERS:** Furnished standard with sheet metal screws.

**Federal Specification Equivalents:** Government Type: 1149A/1149B

**BHMA DESIGNATION:** L01391 (4100)  
L01381 (4105)

## 4041, 4045, 4050, 4055, 4057 Base Mounted Door Bumpers

4045, 4050



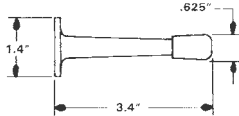
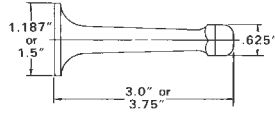
4041.406



4055



4057.406



Item #	Description	Per Box	Wt.	030, 031, 033 034, 040, 050 060, 102, 112 140, 150, 151 190, 260, 264		003, 402 412, 452	
4045.xxx	Wall Door Bumper – 3" Proj., 1.1875" Dia.	10	2	\$15	\$20		
4041.406*	Replacement tip for 4045	1		5.50			
4050.xxx	Wall Door Bumper – 3.75" Proj., 1.5" Dia.	10	3	15	\$20		
4055.xxx**	Wall Door Bumper – 3.4" Proj., 1.1875" Dia.	10	2	15	\$20		
4057.406*	Replacement tip for 4055	1		5.50			

\*Finish 406 only

\*\*Not available in 003

**FEATURES:** Solid forged brass construction for maximum strength and durability. Stem of bumper has hexagon section to facilitate fastening without damaging finish. Resilient rubber guard is replaceable. 4055.xxx is designed for quick and efficient installation by power driven tools, using socket type wrench.

**PACKED:** Individually poly-bagged with appropriate fasteners (1 per poly bag).

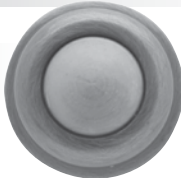
**FASTENERS:** Supplied with wood screw thread.

**Federal Specification Equivalents:** Government Type: 1322

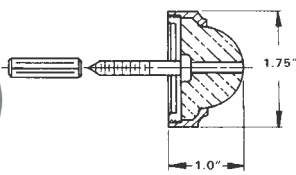
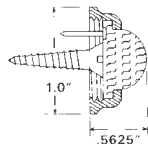
**BHMA DESIGNATION:** L02031

## 4015, 4252 Convex Wall Bumpers

4015



4252



Item #	Description	Per Box	Wt.	030, 031, 033 034, 040, 050 060, 102, 112 140, 150, 151 190, 260, 264		003, 402 412, 452	
4015.xxx**	Wall Flush Bumper – 1" Dia.	20	0.8	\$12	\$17		
4252.xxx	Wall Flush Bumper – Convex Design	50	10	12	17		

\*\*Not available in 003

**4015 FEATURES:** Compact designed bumper permits installation in areas where larger bumpers are not suitable due to size or projection. Fasteners are totally concealed underneath durable rubber insert.

**4252 FEATURES:** Engineered for commercial/residential installations, this compact and contemporary designed bumper features completely concealed fasteners for an unobtrusive and screwless appearance. Supplied with wood and masonry fasteners, it is furnished unassembled to facilitate the substitution of fasteners. Designed for ease of installation, the bumper is attached onto a heavy gauge metal back plate through a threading application. For a fully theft proof installation, the use of a strap wrench for tightening or several drops of Loctite Grade A is recommended.

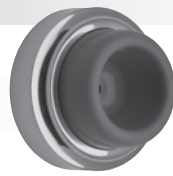
**4252 PACKED:** 50 in a box; individually poly-bagged with appropriate fasteners in a dispensing type carton.

**FEDERAL SPECIFICATION EQUIVALENTS:** Government Type: 1327 (4252 only)

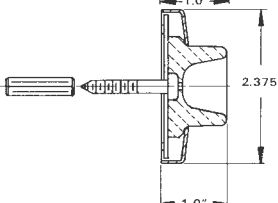
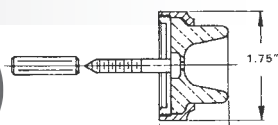
**BHMA DESIGNATION:** L02101 (4015 & 4252)

## 4273, 4293 Concave Wall Bumpers

4273



4293



Item #	Description	Per Box	Wt.	030, 031, 033 034, 040, 050 060, 102, 112 140, 150, 151 190, 260, 264		003, 402 412, 452	
4273.xxx	Wall Flush Bumper – Concave Design 1.75" Dia.	50	9.6	\$12	\$17		
4293.xxx**	Wall Flush Bumper – Concave Design 2.375" Dia.	25	4.5	12	17		

\*\*\*Not available in 402, 412 and 452

**4273 FEATURES:** Concave type rubber permits knob of button type lock to strike bumper without engaging lock mechanism. Special design protects lock mechanism from damage.

**4293 FEATURES:** Concave type rubber permits knob of button type lock to strike bumper without engaging lock mechanism. Special design protects lock mechanism from damage.

**PACKED:** Individually poly-bagged with wood and masonry fasteners in a dispensing type carton.

**FEDERAL SPECIFICATION EQUIVALENTS:** Government Type: 1327 (4293 only)

**BHMA DESIGNATION:** L22251 (4273 & 4293)



## MORTISE HINGE SPECIFICATIONS

**FEATURES:** Extruded brass, full mortise hinges are machined for precise installation and smooth movement. Knuckles are milled to a clearance of 0.010" (.25mm) to minimize vertical wear. Each hinge is beveled on the inside leaf to obtain a tight fit when viewing the hinge in a closed position, and furnished with stainless steel, rust-proof pins for added durability.

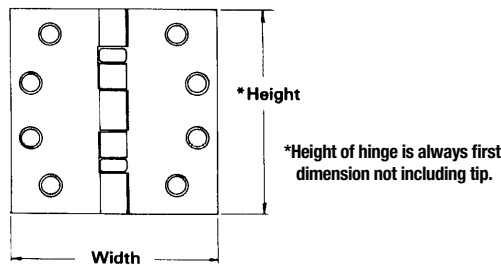
**PIN DESIGN:** Each pin is manufactured from precision ground Type 302, stainless steel material to prevent corrosion. The pin "floats" within the barrel of the hinge, yet is held in a stationary position. Pins can be removed by unthreading each finial and tapping the pin upward from the bottom of the barrel.

**FINIAL DESIGN:** Hinge finials are specially designed to thread into the top and bottom of the hinge barrel, preventing the pin from rising out of the hinge barrel. All tips are completely interchangeable to facilitate stocking and eliminate excessive inventories. Finials can be purchased separately in sets of four only. Hinges are furnished standard with button design finials.

**FASTENERS:** All full mortise hinges are supplied standard with appropriate size wood screws as noted on chart. Wood screws are fully threaded to the head and have an undercut head for secure installations.

**BEVELED EDGE:** Each Baldwin hinge is beveled on the inside leaf to obtain a tight fit when the hinge is in a closed position.

**EXTRUSION:** Hinges manufactured from solid brass extrusions have two inherent properties: exceptional strength and precision tolerances. Baldwin's extruded hinges are machined from a solid brass bar to exact tolerances to ensure an even wear between each knuckle. The result is a QUALITY hinge which can withstand above average door weights and stresses with maximum vertical and lateral wear performance.



**TEMPLATE:** All full mortise hinges illustrated within this section are designed in accordance with the most current specifications established by the American National Standards Institute (ANSI).

**APPLICATION:** Baldwin full mortise hinges are classified as STANDARD WEIGHT for installation on doors up to 1.75" (44mm) in thickness.

**NUMBER OF HINGES:** Use three hinges on doors up to and including 7.5 feet (2.3m) and one additional hinge for each additional 2.5 feet (.76m) or fraction thereof.

**NON-REMOVABLE PINS (NRP):** Hinges can be obtained with non-removable pins to prevent removal of hinge pins when the door is in a closed position. This special application is used when the hinge barrel is exposed to the exterior side of a building (Reverse Bevel Door Conditions). A stainless steel set screw is inserted into the barrel from the inside of the hinge (Emblem Mark Side), which intercepts a groove milled on the pin. (Not available on Hinge No. 1030). Furnished at an additional charge. Specify as follows: 1 pr 1040.030 NRP Hinge - 4" x 4" = 1040.030.NRP

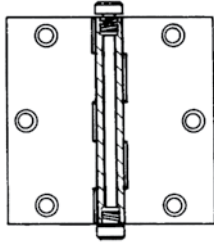
**METAL DOOR APPLICATION:** Machine screw packets are available to accommodate mortise hinge installation for metal doors.

- >All hinges have a slight offset leaf which provides clearance of .062" (1.57mm) when leaves are closed and parallel.
- >All hinges have template screw hole locations for use on either wood or hollow metal doors and frames.
- >Pins are manufactured from precision ground, stainless steel material.
- >All finials are threaded into the barrel of the hinge to prevent pin from rising.
- >Finials are completely interchangeable with all full mortise hinge sizes.
- >Furnished standard with solid brass Phillips head wood screws, undercut, fully threaded to the head.
- >Inner leaf is beveled to ensure the tightest possible fit and enhance hinge appearance.
- >Available with a Non-Removable Pin (NRP) feature (except No. 1030).

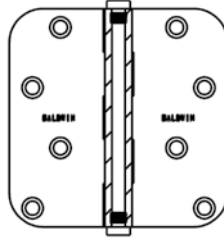
# HINGES

## REPLACEMENT SCREWS & HINGE PINS

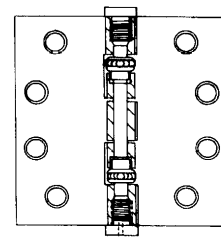
### Hinge Construction



Square



Rounded



Ball Bearing

### Replacement Screws

Square & Ball Bearing Hinges on METAL DOORS

Item #	Function	020, 027, 022*	003
1052.xxx.MS	METAL DOOR: 12 - 24 x 1/2" Flat Head, Phillips screws for use with 1040, 1041, 1045, 1046 & 1051 hinges	\$4	\$14
1063.xxx.MS	METAL DOOR: 10 - 24 x 1/2" Flat Head, Phillips screws for use with 1030 & 1035 hinges	4	14

\*Finishes for Machine Screws: 020=030, 022=140, 027=102

### Replacement Screws

Square & Ball Bearing Hinges on WOOD DOORS

Item #	Function	003, 050, 102, 112, 140, 151, 221
1419.xxx.05605	WOOD DOOR: 3 - #10 Flat Head, Phillips screws for use with 1030 & 1035 hinges	1.40 NET
1480.xxx.05805	WOOD DOOR: 4 - #12 Flat Head, Phillips screws for use with 1040 & 1041, 1045 1046 & 1051 hinges	1.86 NET

### Hinge Pins

Square, Rounded & Ball Bearing Hinges ONLY

Item #	Description	Standard Box	Price
1030.000.PIN	Hinge pins for 1030 hinges	3	\$4
1035.000.PIN	Hinge pins for 1035 hinges	3	4
1040.000.PIN	Hinge pins for 1040 and 1041 hinges	3	4
1045.000.PIN	Hinge pins for 1045 and 1046 hinges	3	4

## 1030 3" x 3" – Square Corner



1030

Item #	Description	Per Box	Wt.	030, 031, 033	003, 055
				034, 040, 050	056, 402
1030.xxx.l	Hinge – 3" x 3"	1 each	0.5	\$35	\$45

**PACKED:** One per box, each hinge poly-bagged with fasteners.  
Supplied with 6 – #10 Flat Head-Phillips wood screws.

## 1035 3.5" x 3.5" – Square Corner



1035

Item #	Description	Per Box	Wt.	030, 031, 033	003, 055
				034, 040, 050	056, 402
1035.xxx.l	Hinge – 3.5" x 3.5"	1 each	0.7	\$38	\$48
1035.xxx.INRP	Hinge – 3.5" x 3.5"	1 each	0.7	45	55

**PACKED:** One per box, each hinge poly-bagged with fasteners.  
Supplied with 6 – #10 Flat Head-Phillips wood screws.

## 1040 4" x 4" – Square Corner



1040

Item #	Description	Per Box	Wt.	030,	003, 055
				031, 033, 034	056, 402
1040.xxx.l	Hinge – 4" x 4"	1 each	0.8	\$41	\$51
1040.xxx.INRP	Hinge – 4" x 4"	1 each	0.8	48	58

**PACKED:** One per box, each hinge poly-bagged with fasteners.  
Supplied with 8 – #12 Flat Head-Phillips wood screws.

## 1045 4.5" x 4.5" – Square Corner



1045

Item #	Description	Per Box	Wt.	030, 031, 033	003, 055
				034, 040, 050	056, 402
1045.xxx.l	Hinge – 4.5" x 4.5"	1 each	1.0	\$44	\$54
1045.xxx.INRP	Hinge – 4.5" x 4.5"	1 each	1.0	51	61

**PACKED:** One per box, each hinge poly-bagged with fasteners.  
Supplied with 8 – #12 Flat Head-Phillips wood screws.

## 1035, 1090 – 1093 Hinge Finials for Square Corner



1035

1090

1091

1092

1093

Item #	Description	Per Box	Wt.	030,	003
				031, 033, 034	055
1035.xxx.ITIP	Button tip	2each		\$12	\$14
1090.xxx.l*	Ball tip	2 each		14	16
1091.xxx.l*	Urn tip	2 each		14	16
1092.xxx.l*	Acorn tip	2 each		14	16
1093.xxx.l*	Steeple tip	2 each		14	16

\* To match 402 on hinge, order finial in 102 finish. To match 412 on hinge, order finial in 112 finish.  
To match 452 finish on hinges, order finials in finish 152.

**FEATURES:** Hinge finials are specially-designed to thread into the top and bottom of the hinge barrel. All finials are completely interchangeable to facilitate stocking and eliminate excessive inventories. Finials can be purchased separately in sets of 2 only.

# HINGES

## RADIUS CORNER

### 1135 3.5" x 3.5" – 5/8" Radius Corner

1135



Item #	Description	Per Box	Wt.	030, 031, 033 034, 040, 050	
				060, 102, 112	003, 055
				140, 150, 151	056, 402
				190, 260, 264	412, 452
1135.xxx.l	5/8" Radius Corner Hinge – 3.5" x 3.5"	1 each	0.7	\$26	\$36

**PACKED:** One per box, each hinge poly-bagged with fasteners. Supplied with #10 x 1" Flat Head-Phillips wood screws.  
**NOTE:** NON-REMOVABLE PINS (NRP) NOT AVAILABLE on radius corner hinges.

### 1140 4" x 4" – 5/8" Radius Corner

1140



Item #	Description	Per Box	Wt.	030, 031, 033 034, 040, 050	
				060, 102, 112	003, 055
				140, 150, 151	056, 402
				190, 260, 264	412, 452
1140.xxx.l	5/8" Radius Corner Hinge – 4" x 4"	1 each	0.8	\$29	\$39

**PACKED:** One per box, each hinge poly-bagged with fasteners. Supplied with #10 x 1" Flat Head-Phillips wood screws.  
**NOTE:** NON-REMOVABLE PINS (NRP) NOT AVAILABLE on radius corner hinges.

### 1435 3.5" x 3.5" – 1/4" Radius Corner

1435



Item #	Description	Per Box	Wt.	030, 031, 033 034, 040, 050	
				060, 102, 112	003, 055
				140, 150, 151	056, 402
				190, 260, 264	412, 452
1435.xxx.l	1/4" Radius Corner Hinge – 3.5" x 3.5"	1 each	0.7	\$26	\$36

**PACKED:** One per box, each hinge poly-bagged with fasteners. Supplied with #10 x 1" Flat Head-Phillips wood screws.  
**NOTE:** NON-REMOVABLE PINS (NRP) NOT AVAILABLE on radius corner hinges.

### 1440 4" x 4" – 1/4" Radius Corner

1440



Item #	Description	Per Box	Wt.	030, 031, 033 034, 040, 050	
				060, 102, 112	003, 055
				140, 150, 151	056, 402
				190, 260, 264	412, 452
1440.xxx.l	1/4" Radius Corner Hinge – 4" x 4"	1 each	0.8	\$29	\$39

**PACKED:** One per box, each hinge poly-bagged with fasteners. Supplied with #10 x 1" Flat Head-Phillips wood screws.  
**NOTE:** NON-REMOVABLE PINS (NRP) NOT AVAILABLE on radius corner hinges.

### 1080, 1081, 1083 Hinge Finials for Radius Corner



1080

1081

1083

Item #	Description	Wt.	030, 031, 033, 034, 040, 050 060, 102, 112, 140, 150, 151, 152	
			190, 260, 264	003 055 056
1080.xxx.l*	Ball tip – Radius Corner Hinge		\$9	\$11
1081.xxx.l*	Button tip – Radius Corner Hinge		9	11
1083.xxx.l*	Steeply tip – Radius Corner Hinge		9	11
8490.xxx.RCS	Radius Corner Screws (Set of 4)		6	6

\* To match 402 on hinge, order finial in 102 finish. To match 412 on hinge, order finial in 112 finish.  
 To match 452 finish on hinges, order finials in finish 152.

**FEATURES:** Hinge finials are specially-designed to thread into the top and bottom of the hinge barrel. All finials are completely interchangeable to facilitate stocking and eliminate excessive inventories. Finials can be purchased separately in sets of 2 only.

## BALL BEARING HINGE SPECIFICATIONS

Each hinge is designed with two anti-friction ball bearing assemblies which are non-detachable. The balls inside each chamber are constructed from through-hardened, chrome alloy steel material to ensure a longer hinge life. The bearing races are machined from alloy steel which is then hardened and electroplated with a rust-resisting zinc-chromate finish. Our testing indicates that although this electroplate finish provides rust protection, when exposed to weather elements of exterior, the steel will eventually rust. The location of each assembly increases the vertical load capacity and greatly reduces both vertical and lateral wear of the hinge. As a result, all factors which normally contribute to hinge failure are significantly reduced. BALL BEARING HINGES ARE RECOMMENDED FOR DOORS EQUIPPED WITH DOOR CLOSERS AND/OR RECEIVING AVERAGE FREQUENCY SERVICE.

**APPLICATION:** STANDARD WEIGHT BALL BEARING hinges are designed for medium weight doors receiving average traffic in residential and light commercial construction. Ball bearing hinges are ALWAYS recommended for doors equipped with door closers. For further details on applications, consult Hinge Chart (p 198).

### 1041 4" x 4" – Ball Bearing



Item #	Description	Per Box	Wt.	030, 031, 033	003, 055
				034, 040, 050	060, 102, 112
				190, 260, 264	412, 452
1041.xxx.I	Ball Bearing Hinge – 4" x 4"	1 each	0.8	\$50	\$60
1041.xxx.INRP	Ball Bearing Hinge – 4" x 4"	1 each	0.9	54	64

**PACKED:** One per box, each hinge poly-bagged with fasteners.  
Supplied with #12 x 1.25" Flat Head-Phillips wood screws.

### 1046 4.5" x 4.5" – Ball Bearing



Item #	Description	Per Box	Wt.	030, 031, 033	003, 055
				034, 040, 050	060, 102, 112
				190, 260, 264	412, 452
1046.xxx.I	Ball Bearing Hinge – 4.5" x 4.5"	1 each	1.0	\$53	\$63
1046.xxx.INRP	Ball Bearing Hinge – 4.5" x 4.5"	1 each	1.0	57	67

**PACKED:** One per box, each hinge poly-bagged with fasteners.  
Supplied with #12 x 1.25" Flat Head-Phillips wood screws.

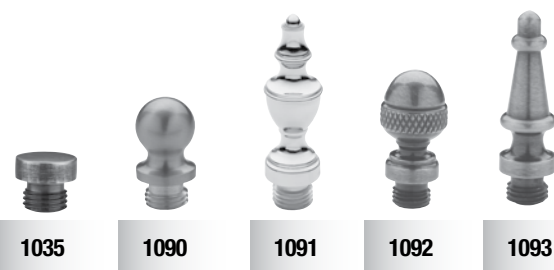
### 1051 5" x 5" – Ball Bearing



Item #	Description	Per Box	Wt.	030, 031, 033	003, 055
				034, 040, 050	060, 102, 112
				190, 260, 264	412, 452
1051.xxx.I	Ball Bearing Hinge – 5" x 5"	1 each	1.3	\$76	\$92
1051.xxx.INRP	Ball Bearing Hinge – 5" x 5"	1 each	1.3	82	98

**PACKED:** One per box, each hinge poly-bagged with fasteners.  
Supplied with #12 x 1.25" Flat Head-Phillips wood screws.

### 1035, 1090 – 1093 Hinge Finials for Ball Bearing



Item #	Description	Per Box	Wt.	030, 031, 033, 034, 040, 050	003, 055
				060, 102, 112, 140, 150, 151, 152	056, 402, 412, 452
1035.xxx.ITIP	Button tip	2 each		\$12	\$14
1090.xxx.I*	Ball tip	2 each		14	16
1091.xxx.I*	Urn tip	2 each		14	16
1092.xxx.I*	Acorn tip	2 each		14	16
1093.xxx.I*	Steeple tip	2 each		14	16

\* To match 402 on hinge, order finial in 102 finish. To match 412 on hinge, order finial in 112 finish. To match 452 finish on hinges, order finials in finish 152.

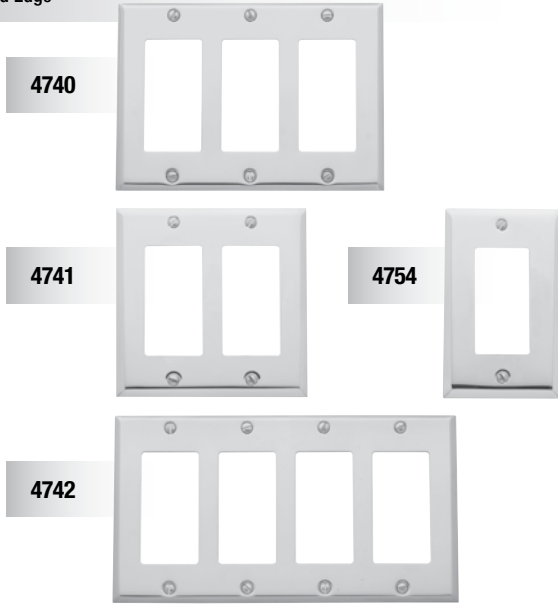
**FEATURES:** Hinge finials are specially-designed to thread into the top and bottom of the hinge barrel. All finials are completely interchangeable to facilitate stocking and eliminate excessive inventories. Finials can be purchased separately in sets of 2 only.

# SWITCHPLATES

## BEVELED EDGE

### 4740 – 4742, 4754 GFCI Plates

Beveled Edge

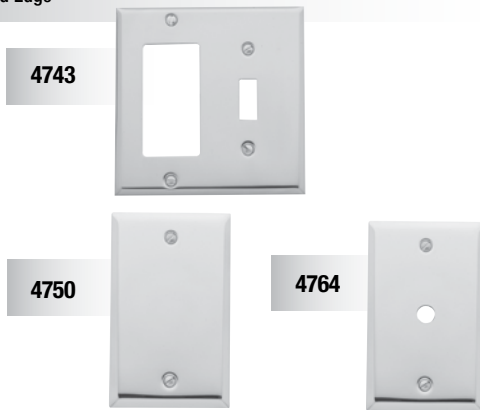


Item #	Description	Per Box	Wt.	030, 050, 112 150, 151, 260
4740.xxx.CD*	Triple GFCI – 4.5" x 6.5"	5	2	\$17
4741.xxx.CD	Double GFCI – 4.5" x 4.5"	5	2.8	13
4742.xxx.CD	Quad GFCI – 4.5" x 8.125"	1	0.4	22
4754.xxx.CD	Single GFCI – 4.5" x 2.75"	5	1.7	9

\*Not Available in 260.

### 4742, 4750, 4764 Combos & Covers

Beveled Edge

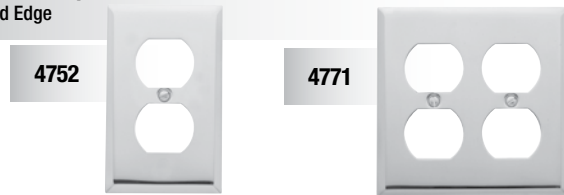


Item #	Description	Per Box	Wt.	030, 050, 112 150, 151, 260
4743.xxx.CD	GFCI/Single toggle combo – 4.5" x 4.5"	5	1.4	\$13
4750.xxx.CD*	Single box cover – 4.75" x 2.75"	10	1.7	9
4764.xxx.CD	Cable cover – 4.5" x 2.75"	5	0.9	9

\*Not Available in 050, 151 or 260.

### 4752, 4771 Duplex

Beveled Edge

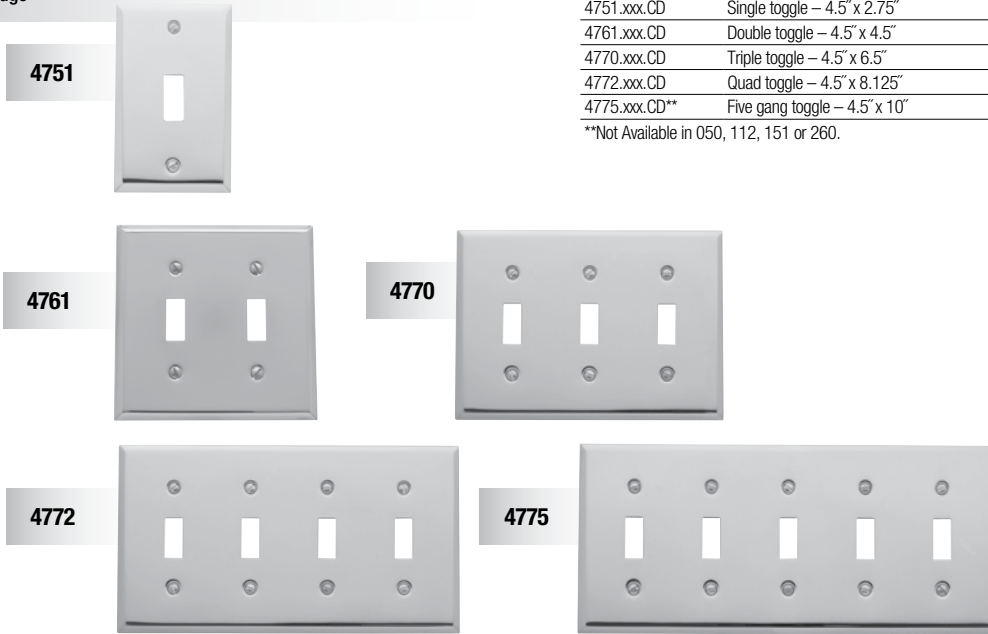


Item #	Description	Per Box	Wt.	030, 050, 112 150, 151, 260
4752.xxx.CD	Duplex – 4.5" x 2.75"	5	1.7	\$9
4771.xxx.CD	Double duplex – 4.5" x 4.5"	5	1.1	13



# SWITCHPLATES BEVELED EDGE | COLONIAL

## 4751, 4761, 4770, 4772, 4775 Toggles Beveled Edge



Item #	Description	Per Box	Wt.	030, 050, 112 150, 151, 260
4751.xxx.CD	Single toggle – 4.5" x 2.75"	5	1.7	\$9
4761.xxx.CD	Double toggle – 4.5" x 4.5"	5	2.8	13
4770.xxx.CD	Triple toggle – 4.5" x 6.5"	5	2	17
4772.xxx.CD	Quad toggle – 4.5" x 8.125"	5	2.6	22
4775.xxx.CD**	Five gang toggle – 4.5" x 10"	1	0.6	34

\*\*Not Available in 050, 112, 151 or 260.

## 4757, 4781 Duplex Colonial



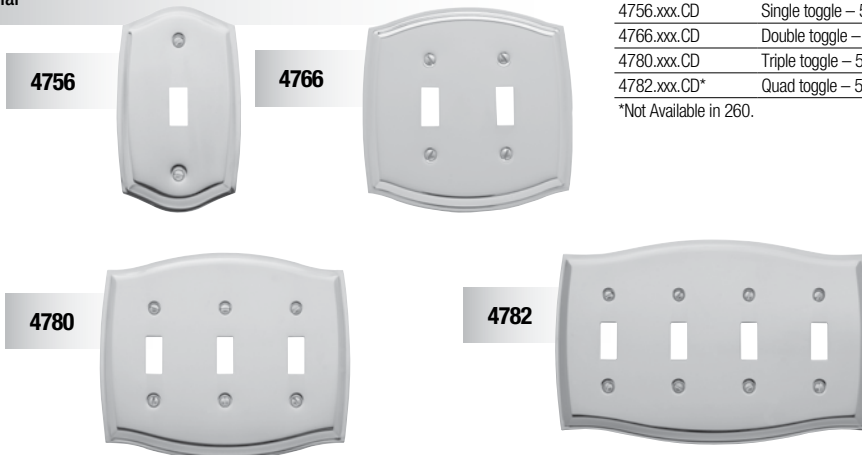
Item #	Description	Per Box	Wt.	030, 050, 112 150, 151, 260
4757.xxx.CD	Duplex – 5.125" x 3"	10	2.9	\$13
4781.xxx.CD	Double duplex – 5.125" x 5.125"	5	2.1	19

## 4769 Cable Cover Colonial



Item #	Description	Per Box	Wt.	030, 050, 112 150, 151, 260
4769.xxx.CD	Cable cover – 5.125" x 3"	5	0.7	\$13

## 4756, 4766, 4780, 4782 Toggles Colonial



Item #	Description	Per Box	Wt.	030, 050, 112 150, 151, 260
4756.xxx.CD	Single toggle – 5.125" x 3"	10	2.9	\$13
4766.xxx.CD	Double toggle – 5.125" x 5.125"	5	4.7	19
4780.xxx.CD	Triple toggle – 5.375" x 6.5"	5	3.3	25
4782.xxx.CD*	Quad toggle – 5.378" x 8.25"	5	4.3	34

\*Not Available in 260.

# SWITCHPLATES COLONIAL | ROPE

## 4785, 4787 Single & Double GFCI Colonial

4785



4787



Item #	Description	Per Box	Wt.	030, 050, 112 150, 151, 260
4785.xxx.CD*	Single GFCI – 5.125" x 3"	5	2.9	\$13
4787.xxx.CD	Double GFCI – 5.125" x 5.125"	10	4.7	19

\*Not Available in 260.

## 4788, 4790, 4793 Toggles Rope

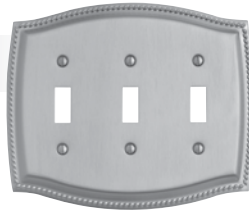
4788



4790



4793



Item #	Description	Per Box	Wt.	030, 050, 112 150
4788.xxx.CD	Single toggle – 5.375" x 3.9375"	10	2.4	\$15
4790.xxx.CD	Double toggle – 5.9375" x 5.9375"	5	4	21
4793.xxx.CD	Triple toggle – 5.625" x 6.75"	5	2.7	28

## 4794, 4789 Duplex Rope

4789



4794



Item #	Description	Per Box	Wt.	030, 050, 112 150
4789.xxx.CD	Duplex – 5.375" x 3.9375"	10	2	\$15
4794.xxx.CD	Double duplex – 5.9375" x 5.9375"	5	1.5	21

## 4795 Cable Cover Rope

4795



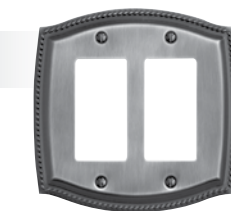
Item #	Description	Per Box	Wt.	030, 050, 112 150
4795.xxx.CD	Cable cover – 5.375" x 3.9375"	5	1	\$15

## 4796, 4797 Single & Double GFCI Rope

4796



4797



Item #	Description	Per Box	Wt.	030, 050, 112 150
4796.xxx.CD	Single GFCI – 5.375" x 3.9375"	5	1	\$15
4797.xxx.CD	Double GFCI – 5.9375" x 5.4375"	10	3	21

**4300 – 4302 Crystal Knob**



**4300, 4301, 4302**

Item #	Description	Wt./ Box	030 112, 150, 260
4300.xxx	Crystal Knob – 1" diameter x 1.4" projection	0.7	\$16
4301.xxx	Crystal Knob – 1.19" d. x 1.6" p.	1.1	17
4302.xxx	Crystal Knob – 1.38" d. x 1.8" p.	1.7	18

**PACKED:** In individual poly bags and protective cartons with .75" long truss head screws.  
All bags are coded with product number, description & UPC code.

**4304, 4305 Crystal Knob**



**4304, 4305**

Item #	Description	Wt./ Box	030 112, 150, 260
4304.xxx	Crystal Knob – 1.19" d. x 1.6" p.	1.2	\$17
4305.xxx	Crystal Knob – 1.46" d. x 1.8" p.	1.6	19

**PACKED:** In individual poly bags and protective cartons with .75" long truss head screws.  
All bags are coded with product number, description & UPC code.

**4308 Crystal Knob**



**4308**

Item #	Description	Wt./ Box	030 112, 150, 260
4308.xxx	Crystal Knob – 1.38" d. x 1.3" p.	1	\$24

**PACKED:** In individual poly bags and protective cartons with .75" long truss head screws.  
All bags are coded with product number, description & UPC code.

**4317 – 4319 Crystal Knob**



**4317, 4318, 4319**

Item #	Description	Wt./ Box	030 112, 150, 260
4317.xxx	Crystal Knob – 1" d. x 1.4" p.	0.8	\$20
4318.xxx	Crystal Knob – 1.19" d. x 1.6" p.	1.5	24
4319.xxx	Crystal Knob – 1.56" d. x 2.0" p.	2.4	31

**PACKED:** In individual poly bags and protective cartons with .75" long truss head screws.  
All bags are coded with product number, description & UPC code.

**4323 – 4325 Crystal Knob**



**4323, 4324, 4325**

Item #	Description	Wt.	030 112, 150, 260
4323.xxx	Crystal Knob – 1.19" d. x 1.2" p.	2.2	\$24
4324.xxx	Crystal Knob – 1.38" d. x 1.4" p.	1.3	30
4325.xxx	Crystal Knob – 1.75" d. x 1.8" p.	2.7	36

**PACKED:** In individual poly bags and protective cartons with .75" long truss head screws.  
All bags are coded with product number, description & UPC code.

CABINET KNOBS  
**CRYSTAL | SWAROVSKI® | BRASS**

**4326 – 4328 Crystal Knob**



4326, 4327, 4328

Item #	Description	Wt./Box	030 112, 150, 260
4326.xxx	Crystal Knob – 1" diameter x 1.1" projection	0.6	\$20
4327.xxx	Crystal Knob – 1.38" d. x 1.3" p.	1.3	30
4328.xxx	Crystal Knob – 1.75" d. x 1.7" p.	2.7	36

**PACKED:** In individual poly bags and protective cartons with .75" long truss head screws.  
 All bags are coded with product number, description & UPC code.

**4354 Crystal Cone Knob**



4354

Item #	Description	Wt./Box	030 112, 150, 260
4354.xxx	Crystal Cone Knob – 1.19" d. x 1.3" p.	1.1	\$17

**PACKED:** In individual poly bags and protective cartons with .75" long truss head screws.  
 All bags are coded with product number, description & UPC code.

**4332, 4334, 4336 Swarovski Crystal Knob**



4332, 4334, 4336

Item #	Description	Wt./Box	030, 112, 260
4332.xxx.S	Swarovski Crystal Knob – 0.75" d. x 1.1" p.	0.6	\$37
4334.xxx.S	Swarovski Crystal Knob – 1.19" d. x 1.7" p.	1.7	57
4336.xxx.S	Swarovski Crystal Knob – 1.56" d. x 2.1" p.	3.1	77

**PACKED:** In individual poly bags and protective cartons with .75" long truss head screws.  
 All bags are coded with product number, description & UPC code.

**4445 – 4447 Ring Deco Knob**



4445, 4446, 4447

Item #	Description	Wt./Box	030, 050, 102 112, 140, 150 151, 260, 264
4445.xxx.bin	Ring Deco Knob – 1" d. x .9" p.	2.9	\$12
4446.xxx.bin	Ring Deco Knob – 1.25" d. x 1.0" p.	4.9	13
4447.xxx.bin	Ring Deco Knob – 1.5" d. x 1.1" p.	7.5	14

**NOTE:** All knobs use 8-32 x 1" screws and mount on 3/4" thick doors/cabinets.  
**PACKED:** All bags are coded with product number, description and UPC code.

**4453 Severin Fayerman Collection Knob**



4453

Item #	Description	Wt./Box	030, 112 140, 150, 260
4453.xxx.bin	Couture Knob - 1.25" x 1.13" p.	3.2	\$17

**NOTE:** All knobs use 8-32 x 1" screws and mount on 3/4" thick doors/cabinets.  
**PACKED:** All bags are coded with product number, description and UPC code.

**4455 Severin Fayerman Collection Knob**



4455

Item #	Description	Std Box	Wt./Box	030, 112 140, 150, 260
4455.xxx.bin	Couture Knob - 1.06" x .88" p.	12	1.8	\$17

**NOTE:** All knobs use 8-32 x 1" screws and mount on 3/4" thick doors/cabinets.  
**PACKED:** All bags are coded with product number, description and UPC code.

**4456 Severin Fayerman Collection Knob**

4456



Item #	Description	Wt./ Box	030, 112 140, 150, 260
4456.xxx.bin	Couture Knob - 1.32" diameter x 1.24" projection	4.6	\$17

**NOTE:** All knobs use 8-32 x 1" screws and mount on 3/4" thick doors/cabinets.  
**PACKED:** All bags are coded with product number, description and UPC code.

**4457 – 4459 Melon Knob**

4457, 4458, 4459



Item #	Description	Wt./ Box	030, 050 102, 112, 150 151, 260, 264
4457.xxx.bin	Melon Knob – 1"d. x 1.1" p.	3.2	\$12
4458.xxx.bin	Melon Knob – 1.17"d. x 1.1" p.	4.7	13
4459.xxx.bin	Melon Knob – 1.36"d. x 1.3" p.	5.8	14

**NOTE:** All knobs use 8-32 x 1" screws and mount on 3/4" thick doors/cabinets.  
**PACKED:** All bags are coded with product number, description and UPC code.

**4490, 4491 Dominion Knob**

4490, 4491



Item #	Description	Wt./ Box	030, 050, 102 112, 140, 150 151, 260, 264
4490.xxx.bin	Dominion Knob – 1"d. x 1.0" p.	3.3	\$8
4491.xxx.bin	Dominion Knob – 1.25"d. x 1.0" p.	4.2	

**NOTE:** Knobs use 8-32 x 1" screws and mount on 3/4" thick doors/cabinets.  
**PACKED:** All bags are coded with product number, description and UPC code.

**4493, 4494 Deco Knob**

4493, 4494



Item #	Description	Wt./ Box	030 050, 102, 150 151, 260, 264
4493.xxx.bin	Deco Knob – 1.25"d. x 1.2" p.	6.8	\$8
4494.xxx.bin	Deco Knob – 1.5"d. x 1.3" p.	9.3	10

**NOTE:** Knobs use 8-32 x 1" screws and mount on 3/4" thick doors/cabinets.  
**PACKED:** All bags are coded with product number, description and UPC code.

**4629, 4630 Round Edinburgh Knob**

4629, 4630



Item #	Description	Wt./ Box	030 112, 150, 260
4629.xxx.bin	Round Edinburgh Knob – 1.25"d. x 1.0" p.	4.1	\$14
4630.xxx.bin	Round Edinburgh Knob – 1.5"d. x 1.0" p.	5.6	15

**NOTE:** Knobs use 8-32 x 1" screws and mount on 3/4" thick doors/cabinets.  
**PACKED:** All bags are coded with product number, description and UPC code.

**4631, 4632 Oval Edinburgh Knob**

4631, 4632



Item #	Description	Wt./ Box	030 112, 260
4631.xxx.bin	Oval Edinburgh Knob – 1.25" x 1.0" p.	3	\$14
4632.xxx.bin	Oval Edinburgh Knob – 1.5" x 1.1" p.	4.1	15

**NOTE:** Knobs use 8-32 x 1" screws and mount on 3/4" thick doors/cabinets.  
**PACKED:** All bags are coded with product number, description and UPC code.

# CABINET KNOBS BRASS

## 4635 Couture Collection Knob

4635



Item #	Description	Wt./Box	030, 050 112, 150, 260
4635.xxx.bin	Couture Knob - 1.33" diameter x 1.15" projection	2.7	\$17

**NOTE:** Knobs use 8-32 x 1" screws and mount on 3/4" thick doors/cabinets.  
**PACKED:** All bags are coded with product number, description and UPC code.

## 4636 Couture Collection Knob

4636



Item #	Description	Wt./Box	030, 050 112, 150, 260
4636.xxx.bin	Couture Knob - 1.27"d. x 1" p.	2.4	\$17

**NOTE:** Knobs use 8-32 x 1" screws and mount on 3/4" thick doors/cabinets.  
**PACKED:** All bags are coded with product number, description and UPC code.

## 4645, 4646 Rope Knob

4645, 4646



Item #	Description	Wt./Box	030, 050 112, 150, 260
4645.xxx.bin	Rope Knob - 1.25"d. x 1.0" p.	4	\$15
4646.xxx.bin	Rope Knob - 1.5"d. x 1.2" p.	6.3	22

Knobs use 8-32 x 1" screws and mount on 3/4" thick doors/cabinets.  
All bags are coded with product number, description and UPC code.

## 4650, 4655, 4660 Colonial Knob

4650, 4655, 4660



Item #	Description	Wt./Box	030, 050, 102 112, 140, 150 151, 260, 264
4650.xxx.bin**	Colonial Knob - 1"d. x .9" p.	2.5	\$8**
4655.xxx.bin	Colonial Knob - 1.25"d. x 1.0" p.	4	8
4660.xxx.bin	Colonial Knob - 1.5"d. x 1.2" p.	5.8	12

\*\* Not available in 112 & 140

**NOTE:** Knobs use 8-32 x 1" screws and mount on 3/4" thick doors/cabinets.  
**PACKED:** All bags are coded with product number, description and UPC code.

## 4702, 4704, 4706 - 4709 Ornamental Knob

4702, 4704, 4706,  
4708, 4709



Item #	Description	Wt./Box	030, 050, 102 112, 140, 150 151, 260, 264
4702.xxx.bin**	Classic Knob - .75" d. x .812" p.	1.8	\$7**
4704.xxx.bin	Classic Knob - 1" d. x .937" p.	3	7
4706.xxx.bin	Classic Knob - 1.25" d. x 1.157" p.	6	8
4708.xxx.bin	Classic Knob - 1.5" d. x 1.406" p.	10.4	14
4709.xxx.bin†	Classic Knob - 1.75" d. x 1.820" p.	8.5	25

\*\* Not available in 112 & 140

†4709 is furnished with No. 1/4-20 x 1.25" long truss head screw.

**NOTE:** Knobs use 8-32 x 1" screws and mount on 3/4" thick doors/cabinets.  
**PACKED:** All bags are coded with product number, description and UPC code.

## 4910, 4913, 4939 Oval Knob

4910, 4913, 4939



4910.xxx.bin	Oval Knob - 1.125"d. x .75" x 1.1" p.	25	2.5	\$13
4913.xxx.bin	Oval Knob - 1.375"d. x 1" x 1.4" p.	25	6.3	14
4939.xxx.bin*	Oval Knob - 1.625"d. x 1.5" x 1.9" p.	20	9.3	25*

\* Not available in 112

Knobs use 8-32 x 1" screws and mount on 3/4" thick doors/cabinets.  
All bags are coded with product number, description and UPC code.  
5/8" diameter at base



CABINET KNOBS | CABINET PULLS  
**BRASS/CRYSTAL**

**4915 Decorative Oval Knob**

4915



Item #	Description	Wt./ Box	030, 050, 102
			112, 140, 150 151, 260, 264
4915.xxx.bin	Decorative Oval Knob – 1" x 1.5" x 1.2" projection	3.9	\$13

**NOTE:** Knobs use 8-32 x 1" screws and mount on 3/4" thick doors/cabinets.

**PACKED:** All bags are coded with product number, description and UPC code.

**4929, 4931, 4932 Ornamental Knob**

4929, 4931, 4932



Item #	Description	Wt./ Box	030, 050
			102, 112, 140 150, 151, 260
4929.xxx.bin*	Ornamental Knob – 1" d. x .937" p.	2.5	\$15*
4931.xxx.bin*	Ornamental Knob – 1.5" d. x 1.093" p.	5.4	\$16*
4932.xxx.bin**	Ornamental Knob – 2" d. x 1.218" p.	6.7	\$22**

\* Not available in 260

\*\* Not available in 112 & 140

**NOTE:** Knobs use 8-32 x 1" screws and mount on 3/4" thick doors/cabinets.

**PACKED:** All bags are coded with product number, description and UPC code.

**4960, 4961, 4968 Spherical Knob**

4960, 4961, 4968



Item #	Description	Wt./ Box	030, 050, 102
			112, 140, 150 151, 260, 264
4960.xxx.bin	Spherical Knob – 1" d. x 1.312" p.	4.8	\$9
4961.xxx.bin	Spherical Knob – 1.25" d. x 1.562" p.	8.5	\$10
4968.xxx.bin**	Spherical Knob – 1.5" d. x 1.812" p.	9.7	\$15**

\*\* Not available in 112 & 140

**NOTE:** Knobs use 8-32 x 1" screws and mount on 3/4" thick doors/cabinets.

**PACKED:** All bags are coded with product number, description and UPC code.

**4970 Palm Springs Knob**

*Coming August 2016*

4970



Item #	Description	Wt./ Box	030, 112
			140, 150, 260
4970.xxx.bin	Palm Springs Knob – 1.5" x .65" x 1.145" p.		\$16

**4343, 4349 Crystal Pull**

4343



4349



Item #	Description	Wt./ Box	030
			112, 150, 260
4343.xxx	Crystal Pull – 3" CTC x 1.4" p.	2.5	\$25
4349.xxx	Crystal Pull – 3" CTC x 1.4" p.	2.4	

**NOTE:** Pulls use 8-32 x 1" screws and mount on 3/4" thick doors/cabinets.

**PACKED:** All bags are coded with product number, description and UPC code.

CABINET PULLS  
BRASS

4356, 4357, 4361, 4362, 4366, 4367 Severin Fayerman Collection Pulls

Item #	Description	Wt./Box	030, 112 140, 150, 260
4356.xxx.bin	Severin-A Pull – 3" CTC x 1.3" projection	4.6	\$23
4357.xxx.bin	Severin-A Pull – 4" CTC x 1.3" p.	5.4	26
4361.xxx.bin	Severin-B Pull – 3" CTC x 1.37" p.	3.3	23
4362.xxx.bin	Severin-B Pull – 4" CTC x 1.45" p.	4.7	26
4366.xxx.bin	Severin-C Pull – 3" CTC x 1.3" p.	4.6	23
4367.xxx.bin	Severin-C Pull – 4" CTC x 1.3" p.	5.3	26

4356, 4357



4361, 4362



4366, 4367



**NOTE:** Pulls use 8-32 x 1" screws and mount on 3/4" thick doors/cabinets.

**PACKED:** All bags are coded with product number, description and UPC code.

4371, 4372, 4376, 4377 Couture Collection Pulls

Item #	Description	Wt./Box	030, 050 112, 150, 260
4371.xxx.bin	Couture-B Pull – 3" CTC x 1.15" p.	3.7	\$23
4372.xxx.bin	Couture-B Pull – 4" CTC x 1.15" p.	4.1	26
4376.xxx.bin	Couture-A Pull – 3" CTC x 1.45" p.	2.7	23
4377.xxx.bin	Couture-A Pull – 4" CTC x 1.45" p.	3.0	26

4371, 4372



4376, 4377



**NOTE:** Pulls use 8-32 x 1" screws and mount on 3/4" thick doors/cabinets.

**PACKED:** All bags are coded with product number, description and UPC code.

4423, 4424 Cup Pull

Item #	Description	Wt./Box	030, 050, 102 112, 140, 150 151, 260, 264
4423.xxx.bin	Cup Pull – 3" CTC x 1.2" p.	4.9	\$16
4424.xxx.bin	Cup Pull – 4" CTC x 1.2" p.	5.8	18

4423, 4424



**NOTE:** Pulls use 8-32 x 1" screws and mount on 3/4" thick doors/cabinets.

**PACKED:** All bags are coded with product number, description and UPC code.

**4436 – 4438 Deco Pull**

**4436, 4437, 4438**



Item #	Description	Wt./ Box	030, 050, 102
			112, 140, 150 151, 260, 264
4436.xxx.bin	Deco Pull – 3" CTC x 1.2" p.	5.2	\$15
4437.xxx.bin	Deco Pull – 3.5" CTC x 1.2" p.	5.6	16
4438.xxx.bin	Deco Pull – 4" CTC x 1.3" p.	5.6	17

**NOTE:** Pulls use 8-32 x 1" screws and mount on 3/4" thick doors/cabinets.  
**PACKED:** All bags are coded with product number, description and UPC code.

**4448, 4450, 4496, 4497 Arch Pull**

**4496, 4497  
4448, 4450**



Item #	Description	Wt./ Box	030, 050, 102
			112, 140, 150 151, 260, 264
4496.xxx.bin	Arch Pull – 3.75" CTC x 1.1" p.	4.6	\$12
4497.xxx.bin	Arch Pull – 5" CTC x 1.2" p.	5.9	14
4448.xxx.bin**	Arch Pull – 6" CTC x 1.2" p.	5.3	15**
4450.xxx.bin**	Arch Pull – 8" CTC x 1.3" p.	7.8	18**

\*\* Not available in 112 & 140  
**NOTE:** Pulls use 8-32 x 1" screws and mount on 3/4" thick doors/cabinets.  
**PACKED:** All bags are coded with product number, description and UPC code.

**4464 Melon Cup Pull**

**4464**



Item #	Description	Wt./ Box	030, 050
			102, 112, 150 151, 260, 264
4464.xxx.bin	Melon Cup Pull – 3" CTC x 1.7" p.	3.1	\$18

**NOTE:** Pulls use 8-32 x 1" screws and mount on 3/4" thick doors/cabinets.  
**PACKED:** All bags are coded with product number, description and UPC code.

**4475, 4476 Spindle Pull**

**4475, 4476**



Item #	Description	Wt./ Box	030
			050, 102, 150 151, 260, 264
4475.xxx.bin	Spindle Pull – 2.5" CTC	4.1	\$13
4476.xxx.bin	Spindle Pull – 3.75" CTC	5.3	15

**NOTE:** Pulls use 8-32 x 1" screws and mount on 3/4" thick doors/cabinets.  
**PACKED:** All bags are coded with product number, description and UPC code.

**4479, 4480 Oval Pull**

**4479, 4480**



Item #	Description	Wt./ Box	030, 050, 102
			112, 140, 150 151, 260, 264
4479.xxx.bin	Oval Pull – 3" CTC	3.3	\$13
4480.xxx.bin	Oval Pull – 4" CTC	6.1	15

**NOTE:** Pulls use 8-32 x 1" screws and mount on 3/4" thick doors/cabinets.  
**PACKED:** All bags are coded with product number, description and UPC code.

**4487 – 4489 Dominion Pull**

**4487, 4488, 4489**



Item #	Description	Wt./ Box	030, 050, 102
			112, 140, 150 151, 260, 264
4487.xxx.bin	Dominion Pull – 3" CTC	4.7	\$14
4488.xxx.bin	Dominion Pull – 3.5" CTC	5.3	15
4489.xxx.bin	Dominion Pull – 4" CTC	6	16

**NOTE:** Pulls use 8-32 x 1" screws and mount on 3/4" thick doors/cabinets.  
**PACKED:** All bags are coded with product number, description and UPC code.

# CABINET PULLS BRASS

## 4611, 4612 Edinburgh Pull

4611, 4612



Item #	Description	Wt./Box	030, 050, 102 112, 150, 260
4611.xxx.bin	Edinburgh Pull – 3.5" CTC	6.9	\$18
4612.xxx.bin	Edinburgh Pull – 4" CTC	8	19

**NOTE:** Pulls use 8-32 x 1" screws and mount on 3/4" thick doors/cabinets.  
**PACKED:** All bags are coded with product number, description and UPC code.

## 4672, 4674, 4676 Wire Pull

4672, 4674, 4676

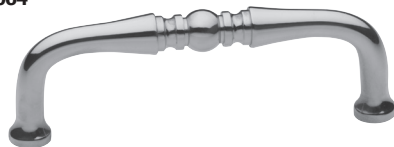


Item #	Description	Wt./Box	030, 050, 102 112, 140, 150 151, 260, 264
4672.xxx.bin	Wire Pull – 3" CTC	3.4	\$7
4674.xxx.bin	Wire Pull – 3.5" CTC	3.5	
4676.xxx.bin	Wire Pull – 4" CTC	4.3	8

**NOTE:** Pulls use 8-32 x 1" screws and mount on 3/4" thick doors/cabinets.  
**PACKED:** All bags are coded with product number, description and UPC code.

## 4964 – 4967 Colonial Pull

4966, 4967, 4964



Item #	Description	Wt./Box	030, 050, 102 112, 140, 150 151, 260, 264
4966.xxx.bin**	Colonial Pull – 3" CTC	5.6	13
4967.xxx.bin**	Colonial Pull – 3.5" CTC	2.6	14
4964.xxx.bin	Colonial Pull – 4" CTC	7	22

\*\* Not available in 112 & 140

**NOTE:** Pulls use 8-32 x 1" screws and mount on 3/4" thick doors/cabinets.  
**PACKED:** All bags are coded with product number, description and UPC code.

## 4975, 4976 Palm Springs Pull

**Coming August 2016**

4975



4976

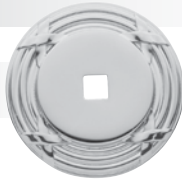


Item #	Description	Wt./Box	030, 112 140, 150, 260
4975.xxx	Palm Springs Pull – 3.75" CTC x 1.145" p.		\$24
4976.xxx	Palm Springs Pull – 6" CTC x 1.145" p.		\$27

**NOTE:** Pulls use 8-32 x 1" screws and mount on 3/4" thick doors/cabinets.  
**PACKED:** All bags are coded with product number, description and UPC code.

## 4613 Round Edinburgh

4613

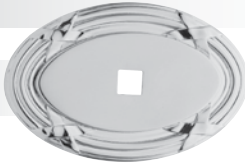


Item #	Description	Wt./ Box	030 112, 150, 260
4613.xxx.bin	Round Edinburgh Back Plate – 1.5"	1.5	\$8

**PACKED:** In individual polybags. All bags are coded with product number, description and UPC code.

## 4619 Oval Edinburgh

4619



Item #	Description	Wt./ Box	030 112, 150, 260
4619.xxx.bin	Oval edinburgh Back Plate – 1.25" x 2"	1.9	\$8

**PACKED:** In individual polybags. All bags are coded with product number, description and UPC code.

## 4900 – 4903, 4905 Knob Back

4900



4901



4902, 4903



4905



Item #	Description	Wt./ Box	030, 050, 102 112, 140, 150 151, 260, 264
4900.xxx.bin*	Knob Back Plate – 1.25" d.	1.3	\$6*
4901.xxx.bin**	Knob Back Plate – 1.375" d.	2.5	9**
4902.xxx.bin	Knob Back Plate – 1.5" d.	3.0	7
4903.xxx.bin**	Back Plate for 4708 and 4709 Knobs	4.5	8**
4905.xxx.bin**	Knob Back Plate – 1.2" x 2"	0.2	

\* Not available in 140

\*\* Not available in 112 & 140

**PACKED:** In individual polybags. All bags are coded with product number, description and UPC code.

## 4965, 4989 Cabinet Pull Base

4965



4989



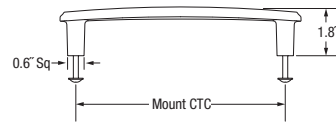
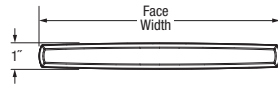
Cabinet pulls shown on 4964 colonial pull (pull sold separately).

Item #	Description	Wt./ Box	030, 050, 102 112, 140, 150 151, 260, 264
4965.xxx.bin	Pull Base for 4966 and 4967 Pulls	0.2	\$3
4989.xxx.bin	Cabinet Pull Base – .625" d.	0.5	2

**PACKED:** In individual polybags. All bags are coded with product number, description and UPC code.

# GENERAL HARDWARE APPLIANCE PULLS

4358, 4359, 4360

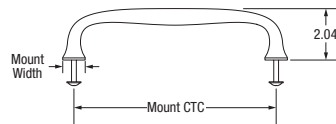


Item #	Description	030, 112	
		Wt./Box	140, 150, 260
4358.xxx	Appliance Pull - 8" CTC	5.2	\$85
4359.xxx	Appliance Pull - 12" CTC	7.6	135
4360.xxx	Appliance Pull - 18" CTC	10.4	185

**NOTE:** Appliance pulls use 10 -24 X 1.3" screws and mount on doors between .75" to 1" thick.  
**PACKED:** One pull and screw pack in a box, and coded with product number, description and UPC code.

Dimensions	Mount	Face
	CTC	Width
4358	8"	9.21"
4359	12"	13.21"
4360	18"	19.21"

4363, 4364, 4365

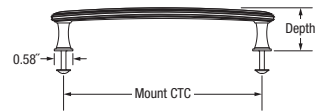
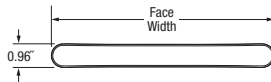


Item #	Description	030, 112	
		Wt./Box	140, 150, 260
4363.xxx	Appliance Pull - 8" CTC	3.9	\$85
4364.xxx	Appliance Pull - 12" CTC	5.1	135
4365.xxx	Appliance Pull - 18" CTC	10.3	185

**NOTE:** Appliance pulls use 10 -24 X 1.3" screws and mount on doors between .75" to 1" thick.  
**PACKED:** One pull and screw pack in a box, and coded with product number, description and UPC code.

Dimensions	Mount	Face	Face
	CTC	Width	Height
4363	8"	8.9"	0.9"
4364	12"	12.9"	0.9"
4365	18"	19.1"	1.07"

4368, 4369, 4370

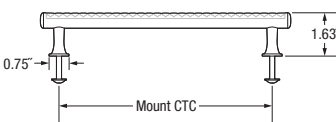
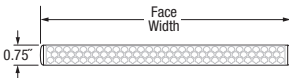


Item #	Description	030, 112	
		Wt./Box	140, 150, 260
4368.xxx	Appliance Pull - 8" CTC	4.2	\$85
4369.xxx	Appliance Pull - 12" CTC	5.9	135
4370.xxx	Appliance Pull - 18" CTC	8.7	185

**NOTE:** Appliance pulls use 10 -24 X 1.3" screws and mount on doors between .75" to 1" thick.  
**PACKED:** One pull and screw pack in a box, and coded with product number, description and UPC code.

Dimensions	Mount	Face	Face
	CTC	Depth	Width
4368	8"	1.75"	9"
4369	12"	1.75"	13"
4370	18"	1.77"	19"

4373, 4374, 4375

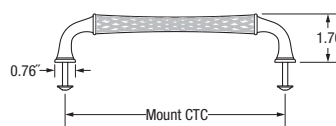
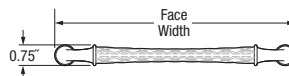


Item #	Description	030, 050	
		Wt./Box	112, 150, 260
4373.xxx	Appliance Pull - 8" CTC	4.4	\$85
4374.xxx	Appliance Pull - 12" CTC	6.1	135
4375.xxx	Appliance Pull - 18" CTC	8.5	185

**NOTE:** Appliance pulls use 10 -24 X 1.3" screws and mount on doors between .75" to 1" thick.  
**PACKED:** One pull and screw pack in a box, and coded with product number, description and UPC code.

Dimensions	Mount	Face
	CTC	Width
4373	8"	9.4"
4374	12"	12.8"
4375	18"	19.3"

4378, 4379, 4380



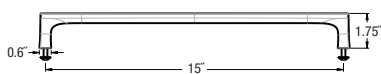
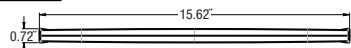
Item #	Description	030, 050	
		Wt./Box	112, 150, 260
4378.xxx	Appliance Pull - 8" CTC	2.8	\$85
4379.xxx	Appliance Pull - 12" CTC	4.0	135
4380.xxx	Appliance Pull - 18" CTC	6.4	185

**NOTE:** Appliance pulls use 10 -24 X 1.3" screws and mount on doors between .75" to 1" thick.  
**PACKED:** One pull and screw pack in a box, and coded with product number, description and UPC code.

Dimensions	Mount	Face
	CTC	Width
4378	8"	8.8"
4379	12"	12.8"
4380	18"	18.8"

4980, 4981

**Coming August 2016**



Item #	Description	030, 050	
		Wt./Box	112, 150, 260
4980.xxx	Appliance Pull - 15" CTC x 1.75" p.	4.8	\$160
4981.xxx	Appliance Pull - 18" CTC x 1.75" p.	6.4	185

**NOTE:** Appliance pulls use 10 -24 X 1.3" screws and mount on doors between .75" to 1" thick.  
**PACKED:** One pull and screw pack in a box, and coded with product number, description and UPC code.

Dimensions	Mount	Face
	CTC	Width
4980	15"	15.62"
4981	18"	18.62"





**NUMERICAL INDEX**

xxxx.xxx.MTG1	222	0421.xxx	55	0602.xxx	219	2578.xxx	223	4366.xxx.bin	241
xxxx.xxx.MTG2	222	0422.xxx	55	0603.xxx	219	2584.xxx	224	4367.xxx.bin	241
xxxx.xxx.MTG3	222	0423.xxx	55	0604.xxx	219	2585.xxx	224	4368.xxx	246
xxxx.xxx.MTG5	222	0425.xxx	216	0622.xxx	219	2597.xxx	224	4369.xxx	246
xxxx.xxx.MTG8	222	0426.xxx	216	0626.xxx	219	2598.xxx	224	4370.xxx	246
0012.xxx	209	0430.xxx	216	0740.xxx	218	2602.xxx	224	4371.xxx.bin	242
0014.xxx	209	0432.xxx	216	0742.xxx	218	2604.xxx	225	4372.xxx.bin	242
0015.xxx	209	0440.xxx	216	0781.xxx	218	2608.xxx	225	4373.xxx	246
0017.xxx	209	0452.xxx	217	0782.xxx	218	2617.xxx	225	4374.xxx	246
50.324	209	0458.xxx	217	0950.xxx	219	2673.xxx	225	4375.xxx	246
52.324	209	0465.xxx	216	0951.xxx	219	2674.xxx	225	4376.xxx.bin	242
0102.xxx	210	0470.xxx	217	0952.xxx	219	2675.xxx		4377.xxx.bin	242
0103.xxx	210	0491.xxx	217	1030.xxx.I	231	2692.xxx	226	4378.xxx	244
0105.xxx	210	0491.xxx.MORT	217	1030.000.PIN	230	2693.xxx	226	4379.xxx	246
0106.xxx	210	0491.xxx.RIM	217	1035.xxx.I	231	2704.xxx	226	4380.xxx	246
0110.xxx	210	0491.xxx.SURF	217	1035.xxx.INRP	231	4000.xxx	227	4423.xxx.bin	242
0113.xxx	210	0492.xxx	217	1035.xxx.ITIP	231, 233	4005.xxx	227	4424.xxx.bin	242
0116.xxx	210	0493.xxx	217	1035.000.PIN	230	4010.xxx	227	4436.xxx.bin	243
0129.xxx	56	0494.xxx	218	1040.xxx.I	231	4015.xxx	228	4437.xxx.bin	243
0155.xxx	211	0494.xxx.MORT	218	1040.xxx.INRP	231	4041.406	228	4438.xxx.bin	243
0156.xxx	211	0494.xxx.RIM	218	1040.000.PIN	230	4045.xxx	228	4445.xxx.bin	238
0174.xxx	56	0494.xxx.SURF	218	1041.xxx.I	233	4050.xxx	228	4446.xxx.bin	238
0175.xxx	56	0495.xxx	218	1041.xxx.INRP	233	4055.xxx	228	4447.xxx.bin	238
0176.xxx	56	0496.xxx	218	1045.xxx.I	231	4057.406	228	4448.xxx.bin	243
0195.xxx	211	509.004	50	1045.xxx.INRP	231	4100	228	4450.xxx.bin	243
0250.xxx	213	509.004.A	50	1045.000.PIN	230	4100.xxx	228	4453.xxx.bin	238
0260.xxx	213	510.004	50	1046.xxx.I	233	4101	228	4455.xxx.bin	238
0310.xxx.ANGL	213	0510.004.A	50	1046.xxx.INRP	233	4101.406	228	4456.xxx.bin	239
0310.xxx.HDAS	213	511.004	50	1051.xxx.I	233	4105	228	4457.xxx.bin	239
0310.xxx.MORT	213	0511.004.A	50	1051.xxx.INRP	233	4105.xxx	228	4458.xxx.bin	239
0310.xxx.SURF	213	512.004	50	1051.000.PIN	230	4207.xxx	227	4459.xxx.bin	239
0310.xxx.UNIV	213	0512.004.A	50	1052.xxx.MS	230	4209.xxx	227	4464.xxx.bin	243
0320.xxx.MORT	213	513.004	50	1063.xxx.MS	230	4210.xxx	227	4475.xxx.bin	243
0320.xxx.UNIV	213	0513.004.A	50	1080.xxx.I	232	4252.xxx	228	4476.xxx.bin	243
0321.xxx	214	514.004	50	1081.xxx.I	232	4273.xxx	228	4479.xxx.bin	243
0322.xxx	214	0514.004.A	50	1083.xxx.I	232	4293.xxx	228	4480.xxx.bin	243
0324.xxx	214	515.004	50	1090.xxx.I	231, 233	4300.xxx	237	4487.xxx.bin	243
0344.xxx	214	0515.004.A	50	1091.xxx.I	231, 234	4301.xxx	237	4488.xxx.bin	243
0345.xxx	214	516.004	50	1092.xxx.I	231, 235	4302.xxx	237	4489.xxx.bin	243
0346.xxx	214	0516.004.A	50	1093.xxx.I	231, 236	4304.xxx	237	4490.xxx.bin	239
0370.xxx	214	519.004	50	1135.xxx.I	232	4305.xxx	237	4491.xxx.bin	239
0378.xxx	214	0519.004.A	50	1140.xxx.I	232	4308.xxx	237	4493.xxx.bin	239
0379.xxx	214	520.004	50	1327.009	48,67	4317.xxx	237	4494.xxx.bin	239
0380.xxx	214	0520.004.A	50	1419.xxx.WS	230	4318.xxx	237	4496.xxx.bin	243
0381.xxx	214	521.004	50	1435.xxx.I	232	4319.xxx	237	4497.xxx.bin	243
0382.xxx	214	0521.004.A	50	1440.xxx.I	232	4323.xxx	237	4505.xxx	227
0383.xxx	214	522.004	50	1480.xxx.WS	230	4324.xxx	237	4507	228
0392.xxx	215	0522.004.A	50	2000.xxx.0630	220	4325.xxx	237	4507.406	227
0393.xxx	215	523.004	50	2000.xxx.0634	220	4326.xxx	238	4510.xxx	227
0394.xxx	215	524.004	50	2000.xxx.0830	220	4327.xxx	238	4611.xxx.bin	244
0395.xxx	215	0524.004.A	50	2000.xxx.0834	220	4328.xxx	238	4612.xxx.bin	244
0396.xxx	215	525.004	50	2282.xxx	222	4332.xxx.S	238	4613.xxx.bin	245
0397.xxx	215	0525.004.A	50	2285.xxx	222	4334.xxx.S	238	4619.xxx.bin	245
0403.xxx	55	530.004	50	2331.xxx	222	4336.xxx.S	238	4629.xxx.bin	239
0404.xxx	55	0530.004.A	50	2335.xxx	222	4342.xxx		4630.xxx.bin	239
0405.xxx	55	531.004	50	2337.xxx	222	4343.xxx	241	4631.xxx.bin	239
0406.xxx	55, 193	0531.004.A	50	2355.xxx	222	4349.xxx	241	4632.xxx.bin	239
0407.xxx	55	532.004	50	2357.xxx	222	4354.xxx	238	4635.xxx.bin	240
0413.xxx	52	0532.004.A	50	2540.xxx	223	4356.xxx.bin	242	4636.xxx.bin	240
0413.xxx.LTP	52	533.004	50	2552.xxx	223	4357.xxx.bin	242	4645.xxx.bin	240
0414.xxx	52	0533.004.A	50	2553.xxx	223	4358.xxx	246	4646.xxx.bin	240
0415.xxx	55	539.004	50	2556.xxx	223	4359.xxx	246	4650.xxx.bin	240
0416.xxx	55	0580E.004	63	2557.xxx	223	4360.xxx	246	4655.xxx.bin	240
417.022	55	0581E.004	63	2560.xxx	223	4361.xxx.bin	242	4660.xxx.bin	240
0418.xxx	52	0582E.004	63	2564.xxx	223	4362.xxx.bin	242	4672.xxx.bin	244
0418.xxx.LTP	52	0600.xxx.12	219	2574.xxx	223	4363.xxx	246	4674.xxx.bin	244
0419.xxx	52	0600.xxx.18	219	2575.xxx	223	4364.xxx	246	4676.xxx.bin	244
		0600.xxx.24	219	2576.xxx	223	4365.xxx	246	4702.xxx.bin	240

4704.xxx.bin	240	5000.xxx.MRPN	19	5020.xxx.PASS	13	5047.xxx.I	40	5075.xxx.FD	39
4706.xxx.bin	240	5001.xxx.IMR	19	5020.xxx.PRIV	13	5047.xxx.IDM	40	5075.xxx.I	39
4708.xxx.bin	240	5001.xxx.MR	19	5021.xxx	38	5048.xxx	36	5075.xxx.IDM	39
4709.xxx.bin	240	5001.xxx.MRPN	19	5021.xxx.FD	38	5048.xxx.FD	36	5076.xxx	39
4740.xxx.CD	234	5002.xxx	36	5021.xxx.I	38	5048.xxx.I	36	5076.xxx.FD	39
4741.xxx.CD	234	5002.xxx.FD	36	5021.xxx.IDM	38	5048.xxx.IDM	36	5076.xxx.I	39
4742.xxx.CD	234	5002.xxx.I	36	5023.xxx.IMR	20	5050.xxx.IMR	22	5076.xxx.IDM	39
4743.xxx.CD	234	5002.xxx.IDM	36	5023.xxx.MR	20	5050.xxx.MR	22	5077.004	51
4750.xxx.CD	234	5003.xxx	36	5023.xxx.MRPN	20	5050.xxx.MRPN	22	5077.004.A	51
4751.xxx.CD	235	5003.xxx.FD	36	5024.xxx.IMR	20	5053.xxx	38	5077.xxx.IMR	24
4752.xxx.CD	234	5003.xxx.I	36	5024.xxx.MR	20	5053.xxx.FD	38	5077.xxx.MR	24
4754.xxx.CD	234	5003.xxx.IDM	36	5025.xxx.FD	13	5053.xxx.I	38	5078.xxx	39
4756.xxx.CD	235	5004.xxx	36	5025.xxx.IDM	13	5053.xxx.IDM	38	5078.xxx.FD	39
4757.xxx.CD	235	5004.xxx.FD	36	5025.xxx.IMR	21	5055.xxx.IMR	22	5078.xxx.I	39
4761.xxx.CD	235	5004.xxx.I	36	5025.xxx.MR	21	5055.xxx.MR	22	5078.xxx.IDM	39
4764.xxx.CD	226	5004.xxx.IDM	36	5025.xxx.MRPN	21	5055.xxx.MRPN	22	5080.xxx.FD	13
4766.xxx.CD	235	5005.xxx.IMR	19	5025.xxx.PASS	13	5056.xxx	40	5080.xxx.IDM	13
4769.xxx.CD	235	5005.xxx.MR	19	5025.xxx.PRIV	13	5056.xxx.FD	40	5080.xxx.IMR	24
4770.xxx.CD	235	5005.xxx.MRPN	19	5027.xxx	38	5056.xxx.I	40	5080.xxx.MR	24
4771.xxx.CD	234	5006.xxx	37	5027.xxx.FD	38	5056.xxx.IDM	40	5080.xxx.PASS	13
4772.xxx.CD	235	5006.xxx.FD	37	5027.xxx.I	38	5056E.xxx.IKC	65	5080.xxx.PRIV	13
4775.xxx.CD	235	5006.xxx.I	37	5027.xxx.IDM	38	5056E.xxx.IPS	64	5081.xxx.A	56
4780.xxx.CD	235	5006.xxx.IDM	37	5027E.xxx.IKC	65	5056E.xxx.KC	65	5082.xxx.A	56
4781.xxx.CD	235	5009.xxx.IMR	19	5027E.xxx.IPS	64	5056E.xxx.PS	22	5084.009.0002	48
4782.xxx.CD	235	5009.xxx.MR	19	5027E.xxx.KC	65	5057.xxx.IMR	22	5084.xxx.A	56
4785.xxx.CD	236	5009.xxx.MRPN	19	5027E.xxx.PS	64	5057.xxx.MR	22	5085	48
4787.xxx.CD	236	5010.xxx	37	5028.xxx	39	5057.xxx.MRPN	22	5090.020.A	51
4788.xxx.CD	236	5010.xxx.FD	37	5028.xxx.FD	39	5058.xxx	40	5091.004	51
4789.xxx.CD	236	5010.xxx.I	37	5028.xxx.I	39	5058.xxx.FD	40	5091.004.A	51
4790.xxx.CD	236	5010.xxx.IDM	37	5028.xxx.IDM	39	5058.xxx.I	40	5092.004	51
4793.xxx.CD	236	5011.xxx.IMR	19	5030.xxx.IMR	21	5058.xxx.IDM	40	5092.004.A	51
4794.xxx.CD	236	5011.xxx.MR	19	5030.xxx.MR	21	5059.xxx	40	5097.009.N	48
4795.xxx.CD	236	5011.xxx.MRPN	19	5030.xxx.MRPN	21	5059.xxx.FD	40	5098.004.A	51
4796.xxx.CD	236	5013.xxx.IMR	20	5031.xxx.IMR	21	5059.xxx.I	40	5098.004.N	51
4797.xxx.CD	236	5013.xxx.MR	20	5031.xxx.MR	21	5059.xxx.IDM	40	5098.009.N	51
4850.xxx	211	5013.xxx.MRPN	20	5031.xxx.MRPN	21	5060.xxx.IMR	22	5099.004	51
4851.xxx	211	5015.xxx.FD	13	5032.xxx	37	5060.xxx.MR	22	5101.xxx.MR	26
4852.xxx	212	5015.xxx.IDM	13	5032.xxx.FD	37	5060.xxx.MRPN	22	5101.xxx.MRPN	26
4853.xxx	212	5015.xxx.IMR	20	5032.xxx.I	37	5062.xxx	38	5101.xxx.RMR(LMR)	26
4857.xxx	212	5015.xxx.MR	20	5032.xxx.IDM	37	5062.xxx.FD	38	5103.xxx.MR	26
4858.xxx	212	5015.xxx.MRPN	20	5032E.xxx.IKC	65	5062.xxx.I	38	5103.xxx.MRPN	26
4900.xxx.bin	245	5015.xxx.PASS	13	5032E.xxx.IPS	64	5062.xxx.IDM	38	5103.xxx.RMR(LMR)	26
4901.xxx.bin	245	5015.xxx.PRIV	13	5032E.xxx.KC	65	5064.xxx.IMR	22	5104.xxx.MR	26
4902.xxx.bin	245	5016.xxx	38	5032E.xxx.PS	64	5064.xxx.MR	22	5104.xxx.MRPN	26
4903.xxx.bin	245	5016.xxx.FD	38	5035.xxx	39	5064.xxx.MRPN	22	5104.xxx.RMR(LMR)	26
4905.xxx.bin	245	5016.xxx.I	38	5035.xxx.FD	39	5065.xxx.IMR	23	5104E.xxx.MR	62
4910.xxx.bin	240	5016.xxx.IDM	38	5035.xxx.I	39	5065.xxx.MR	23	5104E.xxx.RMR(LMR)	62
4913.xxx.bin	240	5016E.xxx.IKC	65	5035.xxx.IDM	39	5065.xxx.MRPN	23	5105.xxx.MR	26
4915.xxx.bin	241	5016E.xxx.IPS	64	5038.xxx	39	5066.xxx.IMR	23	5105.xxx.MRPN	26
4929.xxx.bin	241	5016E.xxx.KC	65	5038.xxx.FD	39	5066.xxx.MR	23	5105.xxx.RMR(LMR)	26
4931.xxx.bin	241	5016E.xxx.PS	64	5038.xxx.I	39	5066.xxx.MRPN	23	5106.xxx.MR	26
4932.xxx.bin	241	5017.xxx	36	5038.xxx.IDM	39	5067.xxx.IMR	23	5106.xxx.MRPN	26
4939.xxx.bin	240	5017.xxx.FD	36	5041.xxx.IMR	21	5067.xxx.MR	23	5106.xxx.RMR(LMR)	26
4960.xxx.bin	241	5017.xxx.I	36	5041.xxx.MR	21	5067.xxx.MRPN	23	5107.xxx.MR	27
4961.xxx.bin	241	5017.xxx.IDM	36	5041.xxx.MRPN	21	5068.xxx.IMR	23	5107.xxx.MRPN	27
4964.xxx.bin	244	5017E.xxx.IKC	65	5042.xxx	40	5068.xxx.MR	23	5107.xxx.RMR(LMR)	27
4965.xxx.bin	245	5017E.xxx.IPS	64	5042.xxx.FD	40	5068.xxx.MRPN	23	5107E.xxx.MR	62
4966.xxx.bin	244	5017E.xxx.KC	65	5042.xxx.I	40	5069.xxx.IMR	23	5107E.xxx.RMR(LMR)	62
4967.xxx.bin	244	5017E.xxx.PS	64	5042.xxx.IDM	40	5069.xxx.MR	23	5108.xxx.MR	27
4968.xxx.bin	241	5019.xxx	38	5045.xxx.IMR	21	5069.xxx.MRPN	23	5108.xxx.MRPN	27
4970.xxx.bin	241	5019.xxx.FD	38	5045.xxx.MR	21	5070.xxx	37	5108.xxx.RMR(LMR)	27
4975.xxx.bin	244	5019.xxx.I	38	5045.xxx.MRPN	21	5070.xxx.FD	37	5109.xxx.MR	27
4976.xxx.bin	244	5019.xxx.IDM	38	5046.xxx	37	5070.xxx.I	37	5109.xxx.MRPN	27
4980.xxx.bin	246	5020.xxx.FD	13	5046.xxx.FD	37	5070.xxx.IDM	37	5109.xxx.RMR(LMR)	27
4981.xxx.bin	246	5020.xxx.IDM	13	5046.xxx.I	37	5073.xxx.IMR	24	5112.xxx.MR	27
4989.xxx.bin	245	5020.xxx.IMR	20	5046.xxx.IDM	37	5073.xxx.MR	24	5112.xxx.MRPN	27
5000.xxx.IMR	19	5020.xxx.MR	20	5047.xxx	40	5073.xxx.MRPN	24	5112.xxx.RMR(LMR)	27
5000.xxx.MR	19	5020.xxx.MRPN	20	5047.xxx.FD	40	5075.xxx	39	5113.xxx.MR	27

5113.xxx.MRPN	27	5152.xxx.RMR(LMR)	30	5215.xxx.FD	15	5445V.xxx.RMR(LMR)	32	5636.xxx.R(L,RR,LR)	191
5113.xxx.RMR(LMR)	27	5152E.xxx.MR	64	5216.xxx.ENTR	15	5447V.xxx.MR	32	5636.xxx.RFD(LFD)	191
5114.xxx.MR	28	5152E.xxx.RMR(LMR)	64	5216.xxx.FD	15	5447V.xxx.RMR(LMR)	32	5639.xxx.R(L,RR,LR)	191
5114.xxx.MRPN	28	5153.xxx	38	5218.xxx.ENTR	15	5452V.xxx.FD	14	5639.xxx.RFD(LFD)	193
5114.xxx.RMR(LMR)	28	5153.xxx.l	38	5219.xxx.ENTR	15	5452V.xxx.MR	32	5641.xxx	192
5115.xxx.MR	28	5155.xxx	39	5225.xxx.ENTR	15	5452V.xxx.PASS	14	5642.xxx	192
5115.xxx.MRPN	28	5155.xxx.l	39	5225.xxx.FD	15	5452V.xxx.PRIV	14	5643.xxx	192
5115.xxx.RMR(LMR)	28	5156.xxx	39	5226.xxx.ENTR	15	5452V.xxx.RDM(LDM)	14	5644.xxx.R(L,RR,LR)	191
5116.xxx.MR	28	5156.xxx.l	39	5226.xxx.FD	15	5452V.xxx.RMR(LMR)	32	5644.xxx.RFD(LFD)	191
5116.xxx.MRPN	28	5157.xxx	39	5228.xxx.ENTR	15	5455V.xxx.FD	14	5671.xxx	192
5116.xxx.RMR(LMR)	28	5157.xxx.l	39	5229.xxx.ENTR	15	5455V.xxx.MR	32	5672.xxx	192
5117.xxx.MR	28	5158.xxx	40	5237.xxx.ENTR	16	5455V.xxx.PASS	14	5673.xxx	192
5117.xxx.MRPN	28	5158.xxx.l	40	5237.xxx.FD	16	5455V.xxx.PRIV	14	5674.xxx.RSKC(LSKC)	192
5117.xxx.RMR(LMR)	28	5159.xxx	40	5226.xxx.LRFD	16	5455V.xxx.RDM(LDM)	14	5701.xxx.R(L,RR,LR)	190
5118.xxx.MR	28	5159.xxx.l	40	5237.xxx.RENT(LENT)	16	5455V.xxx.RMR(LMR)	32	5701.xxx.RFD(LFD)	190
5118.xxx.MRPN	28	5160.xxx	40	5238.xxx.ENTR	16	5460V.xxx.MR	33	5702.xxx.R(L,RR,LR)	190
5118.xxx.RMR(LMR)	28	5160.xxx.l	40	5238.xxx.FD	16	5460V.xxx.RMR(LMR)	33	5702.xxx.RFD(LFD)	190
5119.xxx	38	5161.xxx.MR	30	5238.xxx.LRFD	16	5485V.xxx.FD	14	5704.xxx.R(L,RR,LR)	190
5119.xxx.l	38	5161.xxx.MRPN	30	5238.xxx.RENT(LENT)	16	5485V.xxx.MR	33	5704.xxx.RFD(LFD)	190
5121.xxx.MR	29	5161.xxx.RMR(LMR)	30	5239.xxx.ENTR	16	5485V.xxx.PASS	14	5720.xxx.R(L,RR,LR)	191
5121.xxx.MRPN	29	5162.xxx.MR	30	5239.xxx.RENT(LENT)	16	5485V.xxx.PRIV	14	5720.xxx.RFD(LFD)	191
5121.xxx.RMR(LMR)	29	5162.xxx.MRPN	30	5241.xxx.ENTR	16	5485V.xxx.RDM(LDM)	14	5722.xxx	191
5122.xxx.MR	29	5162.xxx.RMR(LMR)	30	5241.xxx.RENT(LENT)	16	5485V.xxx.RMR(LMR)	33	5723.xxx.R(L)	191
5122.xxx.MRPN	29	5162.xxx.PASS	14	5245.xxx.FD	16	5510.xxx(ASA,FLS)	47	5753.xxx	193
5122.xxx.RMR(LMR)	29	5162.xxx.PRIV	14	5245.xxx.RENT(LENT)	16	5510.xxx.0030	48	5754.xxx	193
5122E.xxx.MR	64	5162.xxx.RDM	14	5246.xxx.FD	16	5510.xxx.ASTR	49	5755.xxx	193
5122E.xxx.RMR(LMR)	64	5162.xxx.LDM	14	5246.xxx.RENT(LENT)	16	5510.xxx.E158	49	5758.xxx	193
5123.xxx	37	5162.xxx.FD	14	5248.xxx.RENT(LENT)	16	5510.xxx.E178	49	5970.xxx.BPG2	162
5123.xxx.l	37	5162E.xxx.MR	65	5249.xxx.RENT(LENT)	16	5510.xxx.E214	49	5970.xxx.CHG	163
5125.xxx.MR	29	5162E.xxx.RMR(LMR)	65	5255.xxx.FD	17	5510.xxx.FSTR	49	5970.xxx.FDG	162
5125.xxx.MRPN	29	5164.xxx.MR	31	5255.xxx.RENT(LENT)	17	5510.xxx.P(ASA,FLS)	47	5971.xxx.BPG2	162
5125.xxx.RMR(LMR)	29	5164.xxx.MRPN	31	5256.xxx.FD	17	5510.xxx.TSTR	49	5971.xxx.FDG	162
5127.xxx	39	5164.xxx.RMR(LMR)	31	5256.xxx.RENT(LENT)	17	5512.xxx(ASA)	47	5975.xxx.BPG2	162
5127.xxx.l	39	5165.xxx.MR	31	5258.xxx.RENT(LENT)	17	5512.xxx.P(ASA)	47	5975.xxx.CHG	162
5129.xxx	39	5165.xxx.MRPN	31	5259.xxx.RENT(LENT)	17	5513.xxx(ASA,FLS)	47	5975.xxx.FDG	162
5129.xxx.l	39	5165.xxx.RMR(LMR)	31	5275.xxx.ENTR	15	5513.xxx.0030	9	5976.xxx.BPG2	163
5132.xxx.MR	29	5166.xxx.MR	31	5276.xxx.ENTR	15	5513.xxx.P(ASA,FLS)	47	5976.xxx.FDG	163
5132.xxx.MRPN	29	5166.xxx.MRPN	31	5275.xxx.FD	15	5515.xxx(ASA)	47	6001	145
5132.xxx.RMR(LMR)	29	5166.xxx.RMR(LMR)	31	5276.xxx.FD	15	5515.xxx.P(ASA)	47	6001.xxx.Suffix	136
5134.xxx	39	5166E.xxx.MR	65	5278.xxx.ENTR	15	5520.xxx(ASA,FLS)	47	6010.xxx.0004	145
5134.xxx.l	39	5166E.xxx.RMR(LMR)	65	5279.xxx.ENTR	15	5520.xxx.P(ASA,FLS)	47	6010.xxx.Suffix	141
5137.xxx.MR	29	5171	31	5300.xxx.EFLS	50	5522.xxx(ASA)	47	6020.xxx.Suffix	136
5137.xxx.MRPN	29	5173.xxx.MR	31	5397.xxx.15A	133	5522.xxx.P(ASA)	47	6021.xxx.0004	145
5137.xxx.RMR(LMR)	29	5173.xxx.RMR(LMR)	31	5397.xxx.15B	133	5523.xxx(ASA,FLS)	47	6021.xxx.Suffix	136
5138.xxx.MR	30	5174.022	56	5397.xxx.15E	133	5523.xxx.P(ASA,FLS)	47	6025.xxx.Suffix	136
5138.xxx.MRPN	30	5187.xxx	60	5397.xxx.15F	133	5525.xxx(ASA)	47	6037.xxx.XXXX	144
5138.xxx.RMR(LMR)	30	5190.xxx.MR	31	5398.xxx.A	87	5525.xxx.P(ASA)	47	6038.xxx.XXXX	144
5139.xxx	37	5190.xxx.MRPN	31	5398.xxx.B	87	5528.xxx.R(L)	49	6039.xxx.XXXX	144
5139.xxx.l	37	5190.xxx.RMR(LMR)	31	5398.xxx.C	87	5600.xxx.R(L,RR,LR)	190	6040.xxx	144
5141.xxx.MR	30	5190E.xxx.MR	64	5398.xxx.D	87	5600.xxx.RFD(LFD)	190	6040.xxx.R(L)	144
5141.xxx.MRPN	30	5190E.xxx.RMR(LMR)	64	5398.xxx.G	87	5601.xxx	192	6041.xxx	144
5141.xxx.RMR(LMR)	30	5194.xxx.A	49	5398.xxx.H	87	5602.xxx.R(L,RR,LR)	190	6041.xxx.R(L)	144
5142.xxx	40	5197.xxx	49	5399.xxx.A	87	5602.xxx.RFD(LFD)	190	6042.xxx	145
5142.xxx.R(L)	40	5198.000.A	58	5399.xxx.B	87	5603.xxx	192	6043.xxx	144
5145.xxx	38	5199	49	5399.xxx.C	87	5604.xxx.R(L,RR,LR)	190	6043.xxx.R(L)	144
5145.xxx.l	38	5205.xxx.ENTR	15	5399.xxx.D	87	5604.xxx.RFD(LFD)	190	6051.xxx.Suffix	143
5146.xxx	37	5205.xxx.FD	15	5399.xxx.G	87	5606.xxx	192	6053.xxx.Suffix	143
5146.xxx.l	37	5206.xxx.ENTR	15	5399.xxx.H	87	5608.xxx.RSKC(LSKC)	192	6055.xxx.Suffix	141
5147.xxx	40	5206.xxx.FD	15	5399.xxx.K	87	5626.xxx.RSKC(LSKC)	192	6060.xxx.0004	145
5147.xxx.l	40	5208.xxx.ENTR	15	5399.xxx.M	87	5628.xxx	192	6060.xxx.Suffix	141
5148.xxx	36	5209.xxx.ENTR	15	5399.xxx.N	87	5629.xxx.RSKC(LSKC)	192	6065.xxx.0004	145
5148.xxx.l	36	5210.xxx.ENTR	15	5440V.xxx.MR	32	5630.xxx.R(L,RR,LR)	190	6065.xxx.Suffix	141
5149.xxx	36	5210.xxx.FD	15	5440V.xxx.RMR(LMR)	32	5630.xxx.RFD(LFD)	190	6066.xxx.Suffix	136
5149.xxx.l	36	5211.xxx.ENTR	15	5445V.xxx.FD	14	5631.xxx	192	6070.xxx.Suffix	141
5151.xxx	37	5211.xxx.FD	15	5445V.xxx.MR	32	5632.xxx.R(L,RR,LR)	190	6075.xxx.Suffix	136
5151.xxx.l	37	5213.xxx.ENTR	15	5445V.xxx.PASS	14	5633.xxx	192	6080.xxx.0004	145
5152.xxx.MR	30	5214.xxx.ENTR	15	5445V.xxx.PRIV	14	5634.xxx.R(L,RR,LR)	190	6091.xxx.0004	145
5152.xxx.MRPN	30	5215.xxx.ENTR	15	5445V.xxx.RDM(LDM)	14	5634.xxx.RFD(LFD)	190	6100.xxx.Suffix	141

6110.xxx.0004	145	6502.xxx.KTOS(KTIS)	122	6548.xxx.DBLC	103	6573.xxx.ENFD	109	6635.xxx	96
6110.xxx.Suffix	141	6503.xxx.KCOS(KCIS)	103	6548.xxx.ENFD	103	6573.xxx.ENTR	109	6635.xxx.BB30	96
6130.xxx.Suffix	141	6503.xxx.KEOS(KEIS)	103	6548.xxx.ENTR	103	6573.xxx.FD	109	6635.xxx.BB75	96
6150.xxx	142	6503.xxx.KNOS(KNIS)	103	6548.xxx.FD	103	6599.xxx.THKA	132	6635.xxx.BBFD	96
6150.xxx.0004	145	6503.xxx.KTOS(KTIS)	103	6549.xxx.ENFD	99	6599.xxx.THKB	132	6635.xxx.DM	96
6150.xxx.0084	145	6505.xxx.RKC(LKC)	99	6549.xxx.RDBL(LDBL)	99	6599.xxx.THKC	126	6640.xxx	91
6160.xxx	142	6505.xxx.RKE(LKE)	99	6549.xxx.RENT(LENT)	99	6599.xxx.THKD	126	6640.xxx.DM	91
6301.xxx.0004	145	6505.xxx.RKN(LKN)	99	6549.xxx.RFD(LFD)	99	6599.xxx.THKE	126	6641.xxx	116
6301.xxx.0084	145	6505.xxx.RKT(LKT)	99	6550.xxx.ENFD	99	6599.xxx.THKF	126	6641.xxx.BB30	116
6301.xxx.Suffix	136	6506.xxx.KCOS(KCIS)	123	6550.xxx.RDBL(LDBL)	99	6599.xxx.THKG	126	6641.xxx.BB75	116
6310.xxx.0004	145	6506.xxx.KEOS(KEIS)	123	6550.xxx.RENT(LENT)	99	6599.xxx.THKH	126	6641.xxx.BBFD	116
6310.xxx.0084	145	6506.xxx.KNOS(KNIS)	123	6550.xxx.RFD(LFD)	99	6599.xxx.THKI	126	6641.xxx.DM	116
6310.xxx.Suffix	136	6506.xxx.KP	123	6551.xxx.DBLC	106	6599.xxx.THKJ	126	6642.xxx.KC	105
6315.xxx.Suffix	141	6506.xxx.KTOS(KTIS)	123	6551.xxx.ENFD	106	6599.xxx.THKK	126	6642.xxx.KE	105
6318.xxx.0004	145	6508.xxx.KC	106	6551.xxx.ENTR	106	6599.xxx.THKL	126	6642.xxx.KN	105
6318.xxx.0084	145	6508.xxx.KN	106	6551.xxx.FD	106	6602.xxx	106	6642.xxx.KT	105
6318.xxx.Suffix	141	6508.xxx.KP	106	6552.xxx.DBLC	100	6602.xxx.DM	106	6643.xxx	92
6320.xxx.Suffix	136	6513.xxx.KC	107, 124	6552.xxx.DM	100	6603.xxx	93	6643.xxx.DM	92
6321.xxx.Suffix	136	6513.xxx.KE	107, 124	6552.xxx.ENFD	100	6603.xxx.DM	93	6652.xxx	119
6325.xxx.Suffix	136	6513.xxx.KN	107, 124	6552.xxx.ENTR	100	6604.xxx	108	6652.xxx.BB30	119
6338.xxx.XXXX	144	6513.xxx.KP	107	6552.xxx.FD	100	6604.xxx.DM	108	6652.xxx.BB75	119
6339.xxx.XXXX	144	6513.xxx.KT	107	6553.xxx	122	6605.xxx	95	6652.xxx.BBFD	119
6340.xxx	144	6514.xxx.KT	124	6553.xxx.BB30	122	6605.xxx.BB30	95	6652.xxx.DM	119
6340.xxx.R(L)	144	6520.xxx.DBLC	91	6553.xxx.BB75	122	6605.xxx.BB75	95	6690.xxx	125
6341.xxx	144	6520.xxx.ENFD	91	6553.xxx.BBFD	122	6605.xxx.BBFD	95	6690.xxx.BB75	125
6341.xxx.R(L)	144	6520.xxx.ENTR	91	6553.xxx.DM	122	6605.xxx.DM	95	6690.xxx.BBFD	125
6375.xxx.Suffix	136	6520.xxx.FD	91	6554.xxx.DBLC	121	6606.xxx	101	6690.xxx.DM	125
6401.xxx.ENTR	80	6520.xxx.KC	91	6554.xxx.DM	121	6606.xxx.DM	101	6701.xxx	55
6401.xxx.FD	80	6520.xxx.KE	91	6554.xxx.ENFD	121	6608.xxx	103	6703.xxx	55
6401.xxx.RENT(LENT)	80	6520.xxx.KN	91	6554.xxx.ENTR	121	6608.xxx.BB30	103	6707.009	154
6401.xxx.LFD	80	6520.xxx.KT	91	6554.xxx.FD	121	6608.xxx.BB75	103	6709.xxx.KC	125
6401.xxx.RFD	80	6525.xxx.KC	92	6555.xxx.DBLC	96	6608.xxx.BBFD	103	6709.xxx.KE	125
6402.xxx.ENTR	81	6525.xxx.KE	92	6555.xxx.ENFD	96	6608.xxx.DM	103	6709.xxx.KN	125
6402.xxx.FD	81	6525.xxx.KN	92	6555.xxx.ENTR	96	6614.xxx	104	6709.xxx.KT	125
6402.xxx.RENT(LENT)	81	6525.xxx.KT	92	6555.xxx.FD	96	6614.xxx.DM	104	6714.xxx.KC	114
6402.xxx.RFD(LFD)	81	6526.xxx.ENFD	92	6557.xxx.DBLC	103	6615.xxx.DM	111	6714.xxx.KE	114
6403.xxx.ENTR	82	6526.xxx.RDBL(LDBL)	92	6557.xxx.ENFD	103	6616.xxx.DM	112	6714.xxx.KN	114
6403.xxx.FD	82	6526.xxx.RENT(LENT)	92	6557.xxx.ENTR	103	6619.xxx	107	6714.xxx.KT	114
6403.xxx.RENT(LENT)	82	6526.xxx.RFD(LFD)	92	6557.xxx.FD	103	6619.xxx.BB30	107	6715.xxx.KC	111
6403.xxx.RFD(LFD)	82	6540.xxx.DBLC	93	6560.xxx.DBLC	102	6619.xxx.BB75	107	6715.xxx.KE	111
6420.xxx.ENTR	75	6540.xxx.ENFD	93	6560.xxx.ENFD	102	6619.xxx.DM	107	6715.xxx.KN	111
6420.xxx.FD	75	6540.xxx.ENTR	93	6560.xxx.ENTR	102	6620.xxx	124	6715.xxx.KT	111
6426.xxx.RENT(LENT)	80	6540.xxx.FD	93	6560.xxx.FD	102	6620.xxx.BB30	124	6720.xxx	54
6426.xxx.LFD	80	6541.xxx.DBLC	94	6562.xxx.DBLC	103	6620.xxx.BB75	124	6721.xxx	54
6426.xxx.RFD	80	6541.xxx.ENFD	94	6562.xxx.ENFD	103	6620.xxx.BBFD	124	6722.xxx	54
6501.000.A	132	6541.xxx.ENTR	94	6562.xxx.ENTR	103	6620.xxx.DM	118	6724.xxx	54
6501.000.B	132	6541.xxx.FD	94	6562.xxx.FD	103	6621.xxx	102	6725.xxx	54
6501.000.C	132	6542.xxx.DBLC	95	6563.xxx.DBLC	104	6621.xxx.BB30	102	6727.xxx	54
6501.000.D	132	6542.xxx.ENFD	95	6563.xxx.ENFD	104	6621.xxx.BB75	102	6728.xxx	53
6501.000.E	132	6542.xxx.ENTR	95	6563.xxx.ENTR	104	6621.xxx.BBFD	102	6729.xxx	54
6501.000.F	132	6542.xxx.FD	95	6563.xxx.FD	104	6621.xxx.DM	102	6732.xxx	53
6501.xxx.15A	133	6543.xxx.DBLC	96	6565.xxx.ENFD	105	6622.xxx	97	6733.xxx	53
6501.xxx.15B	133	6543.xxx.ENFD	96	6565.xxx.RDBL	105	6622.xxx.BB30	97	6734.xxx	53
6501.xxx.15C	133	6543.xxx.ENTR	96	6565.xxx.RENT(LENT)	105	6622.xxx.BB75	97	6735.xxx	54
6501.xxx.15D	133	6543.xxx.FD	96	6565.xxx.RFD	105	6622.xxx.BBFD	97	6737.xxx	149
6501.xxx.15E	133	6544.xxx.ENFD	97	6567.xxx.DBLC	106	6622.xxx.DM	97	6738.xxx	149
6501.xxx.15G	133	6544.xxx.RDBL(LDBL)	97	6567.xxx.ENFD	106	6624.xxx	118	6739.xxx	149
6501.xxx.15H	133	6544.xxx.RENT(LENT)	97	6567.xxx.ENTR	106	6624.xxx.BB30	118	6743.xxx	149
6501.xxx.15I	133	6544.xxx.RFD(LFD)	97	6567.xxx.FD	106	6624.xxx.BB75	118	6748.xxx.A	56
6501.xxx.15J	133	6546.xxx.DBLC	102	6570.xxx.DBLC	107	6624.xxx.BBFD	118	6749.xxx.A	56
6501.xxx.15L	133	6546.xxx.ENFD	102	6570.xxx.ENFD	107	6624.xxx.DM	118	6750.xxx	53
6501.xxx.15M	133	6546.xxx.ENTR	102	6570.xxx.ENTR	107	6628.xxx	99, 109	6751.xxx	53
6501.xxx.15N	133	6546.xxx.FD	102	6570.xxx.FD	107	6628.xxx.BB30	99, 109	6754.xxx	149
6501.xxx.150	133	6547.xxx.DBLC	98	6571.xxx.DBLC	108	6628.xxx.BB75	99, 109	6755.xxx	149, 192
6502.009	48	6547.xxx.DM	98	6571.xxx.ENFD	108	6628.xxx.BBFD	99, 109	6755.xxx.001	149, 192
6502.xxx.KCOS(KCIS)	122	6547.xxx.ENFD	98	6571.xxx.ENTR	108	6628.xxx.DM	99, 109	6755.xxx.002	149, 192
6502.xxx.KEOS(KEIS)	122	6547.xxx.ENTR	98	6571.xxx.FD	108	6634.xxx	105	6755.xxx.003	149, 192
6502.xxx.KNOS(KNIS)	122	6547.xxx.FD	98	6573.xxx.DBLC	109	6634.xxx.DM	105	6756.xxx	53

6757.xxx	149	6802.xxx.Suffix	136	6961.xxx.DM	118	8011.xxx	202	8300.009.0066	148
6760.xxx	53	6810.xxx.0004	145	6961.xxx.ENFD	118	8011.xxx.0020	206	8300.109.005	148
6761.xxx	149	6810.xxx.0084	145	6961.xxx.ENTR	118	8011.xxx.KD12	206	8300.509.004	154
6762.xxx	53	6810.xxx.Suffix	136	6961.xxx.FD	118	8021.xxx	203	8300.509.AR	148
6763.xxx.KC	93, 104	6812.xxx.Suffix	136	6962.xxx.DBLC	119	8030.xxx.0003	206	8300.509.EMHT	148
6763.xxx.KE	93, 104	6832.xxx.Suffix	136	6962.xxx.DM	119	8030.xxx.0005	206	8300.509.STD	154
6763.xxx.KN	93, 104	6845.xxx.Suffix	141	6962.xxx.ENFD	119	8030.xxx.0510	206	8300.xxx	149
6763.xxx.KT	93, 104	6847.xxx.Suffix	141	6962.xxx.ENTR	119	8031.xxx	203	8313.329.TPH1	151, 154
6764.xxx	53	6850.xxx	142	6962.xxx.FD	119	8031.xxx.KD12	206	8313.329.TPH2	148, 151, 154
6765.xxx.KC	106	6855.xxx.0004	145	6963.xxx.RENT(LENT)	120	8031.xxx.KD22	206	8313.509.008	154
6765.xxx.KE	106	6855.xxx.0084	145	6963.xxx.RFD(LFD)	120	8040.xxx.0004	206	8313.509.009	154
6765.xxx.KN	106	6855.xxx.Suffix	141	6966.xxx.ENFD	122	8040.xxx.0006	206	8314.xxx	149, 193
6765.xxx.KT	106	6857.xxx.Suffix	141	6966.xxx.RDBL(LDBL)	122	8040.xxx.0510	206	8320.009.101	154
6767.xxx.KC	100	6860.xxx	142	6966.xxx.RENT(LENT)	122	8041.xxx	202	8320.009.102	154
6767.xxx.KE	100	6897.xxx	145	6966.xxx.RFD(LFD)	122	8053.028.TP1	152	8320.009.103	154
6767.xxx.KN	100	6920.xxx.RENT(LENT)	111	6973.xxx.DBLC	123	8053.028.TP2	152	8320.009.202	154
6767.xxx.KP	100	6920xxx.RDBL(LDBL)	111	6973.xxx.ENFD	123	8053.028.TP3	152	8320.009.203	154
6767.xxx.KT	100	6920.xxx.RFD(LFD)	111	6973.xxx.ENTR	123	8053.028.TP4	152	8320.009.204	154
6768.xxx	149	6920.xxx.ENFD	111	6973.xxx.FD	123	8053.xxx.TP115	206	8320.009.205	154
6774.xxx.KC	101	6921.xxx.RENT(LENT)	112	6973.xxx.RDM(LDM)	123	8053.xxx.TP215	206	8320.009.206	154
6774.xxx.KE	101	6921xxx.RDBL(LDBL)	112	6974.xxx.DBLC	122	8053.xxx.TP325	206	8320.009.207	154
6774.xxx.KN	101	6921.xxx.RFD(LFD)	112	6974.xxx.ENFD	122	8053.xxx.TP425	206	8320.009.208	154
6774.xxx.KT	101	6921.xxx.ENFD	112	6974.xxx.ENTR	122	8053.xxx.TP525	206	8320.009.209	154
6789.xxx.KC	119	6922.xxx.DBLC	113	6974.xxx.FD	122	8080.xxx	207	8320.009.209	154
6789.xxx.KE	119	6922.xxx.ENFD	113	6974.xxx.RDM(LDM)	122	8090.xxx	207	8320.152.300	154
6789.xxx.KN	119	6922.xxx.ENTR	113	6975.xxx	94	8097.xxx	207	8320.152.301	154
6789.xxx.KP	119	6922.xxx.FD	113	6975.xxx.DM	94	8098.xxx.DC03	207	8320.152.302	154
6789.xxx.KT	119	6922.xxx.RDM(LDM)	113	6975.xxx.KC	94	8098.xxx.TP03	207	8320.152.303	154
6790.xxx.KC	118	6931.xxx.ENFD	116	6975.xxx.KE	94	8105.xxx.7TOP	195	8320.152.304	154
6790.xxx.KE	118	6931.xxx.RDBL(LDBL)	116	6975.xxx.KN	94	8105.xxx.8TOP	195	8320.152.305	154
6790.xxx.KN	118	6931.xxx.RENT(LENT)	116	6975.xxx.KP	94	8105.xxx.GD	195	8320.152.306	154
6790.xxx.KP	118	6931.xxx.RFD(LFD)	116	6975.xxx.KT	94	8105.xxx.R510/L510	195	8320.152.307	154
6790.xxx.KT	118	6933.xxx.DBLC	117	6976.xxx.ENFD	124	8105.xxx.R7LK(L7LK)	195	8320.152.308	154
6791.xxx.KC	97	6933.xxx.ENFD	117	6976.xxx.RDBL(LDBL)	124	8105.xxx.R8LK(L8LK)	195	8320.152.309	154
6791.xxx.KE	97	6933.xxx.ENTR	117	6976.xxx.RENT(LENT)	124	8105.xxx.REPL	195	8320.152.401	154
6791.xxx.KN	97	6933.xxx.FD	117	6976.xxx.RFD(LFD)	124	8106.xxx.CVR	195	8321.xxx	147
6791.xxx.KT	97	6933.xxx.RDM(LDM)	117	6980.xxx.KC	113	8106.xxx.E24	195	8321.xxx.DBL	147
6793.xxx.KC	98	6940.xxx.DBLC	116	6980.xxx.KE	113	8106.xxx.E48	195	8322.xxx	147
6793.xxx.KE	98	6940.xxx.ENTR	116	6980.xxx.KN	113	8107.xxx.CVR	195	8322.xxx.DBL	147
6793.xxx.KN	98	6940.xxx.FD	116	6980.xxx.KT	113	8107.xxx.E24	195	8322E.xxx	66
6793.xxx.KP	98	6940.xxx.RDM(LDM)	116	6986.xxx.KC	115	8107.xxx.E48	195	8323.xxx	147
6793.xxx.KT	98	6942.xxx.DBLC	115	6986.xxx.KE	115	8201.xxx.DB	207	8323.xxx.DBL	147
6794.xxx.KC	108	6942.xxx.ENFD	115	6986.xxx.KN	115	8208.xxx.DB	207	8323E.xxx	66
6794.xxx.KE	108	6942.xxx.ENTR	115	6986.xxx.KT	115	8220.xxx	201	8324.xxx	147
6794.xxx.KN	108	6942.xxx.FD	115	6988.xxx.KC	114	8221.xxx	201	8324.xxx.DBL	147
6794.xxx.KT	108	6942.xxx.RDM(LDM)	115	6988.xxx.KE	114	8231.xxx	203	8324E.xxx	66
6795.xxx.KC	102	6944.xxx.ENFD	116	6988.xxx.KN	114	8231.xxx.PAT	203	8325.xxx	147
6795.xxx.KE	102	6948.xxx.ENFD	117	6988.xxx.KT	114	8232.xxx	203	8325.xxx.DBL	147
6795.xxx.KN	102	6948.xxx.RDBL(LDBL)	117	6991.xxx.KC	120	8237.xxx	203	8326.xxx	147
6795.xxx.KT	102	6948.xxx.RENT(LENT)	117	6991.xxx.KE	120	8237.xxx.0510	206	8326.xxx.DBL	147
6796.xxx.KC	95	6948.xxx.RFD(LFD)	117	6991.xxx.KN	120	8238.xxx	203	8327.xxx	147
6796.xxx.KE	95	6950.xxx.ENFD	118	6991.xxx.KP	120	8241.xxx	202	8327.xxx.DBL	147
6796.xxx.KN	95	6950.xxx.RDBL(LDBL)	118	6991.xxx.KT	120	8241.xxx.PAT	202	8328.xxx	147
6796.xxx.KP	95	6950.xxx.RENT(LENT)	118	6993.xxx.KC	117	8242.xxx	202	8328.xxx.DBL	147
6796.xxx.KT	95	6950.xxx.RFD(LFD)	118	6993.xxx.KE	117	8244.xxx	201	8329.xxx	147
6797.xxx.KC	96	6951.xxx.DBLC	97	6993.xxx.KN	117	8244.xxx.PAT	201	8329.xxx.DBL	147
6797.xxx.KE	96	6951.xxx.ENFD	97	6993.xxx.KT	117	8250.xxx	202	8330.xxx	147
6797.xxx.KN	96	6951.xxx.ENTR	97	6999.xxx.ENFD	125	8251.xxx	202	8330.xxx.DBL	147
6797.xxx.KP	96	6951.xxx.FD	97	6999.xxx.RDBL(LDBL)	125	8252.xxx	204	8333.009.007	154
6797.xxx.KT	96	6952.xxx.ENFD	119	6999.xxx.RENT(LENT)	125	8252.xxx.AC1	199	8333.009.010	154
6798.xxx.KC	109	6952.xxx.RDBL(LDBL)	119	6999.xxx.RFD(LFD)	125	8253.xxx	204	8333.xxx	151
6798.xxx.KE	109	6952.xxx.RENT(LENT)	119	8000.849.STR3	206	8254.xxx	204	8333.xxx.H	151
6798.xxx.KN	109	6952.xxx.RFD(LFD)	119	8000.xxx.RSTR	206	8255.xxx	204	8440.xxx.001	147
6798.xxx.KP	109	6953.xxx.R(L)	114	8000.xxx.STR	206	8285.xxx	204	8440.xxx.002	147
6798.xxx.KT	109	6953.xxx.RDM(LDM)	114	8011.028.0025	154	8285.xxx.AC1	199	8440.xxx.003	147
6800.xxx.0004	145	6956.xxx	117	8011.039.0023	154	8286.xxx	204	8440.xxx.004	147
6800.xxx.0084	145	6956.xxx.DM	117	8011.039.0027	154	8297.xxx	207	8440.xxx.005	147
6800.xxx.Suffix	136	6961.xxx.DBLC	118	8011.109.0022	154	8300.009.0065	148	8440.xxx.006	147



8441.xxx	148	85340.xxx.RENT(LENT)	79	85391.xxx.LENT	83	FDP4	175	L006.xxx.RMR(LMR)	33
8442.xxx	148	85340.xxx.RFD(LFD)	79	85391.xxx.RFD	83	FDP5	177	L015.xxx.MR	34
8443.xxx	148	85345.xxx.2DC	86	85391.xxx.LFD	83	FDP6	179	L015.xxx.MRPN	34
8444.xxx	148	85345.	86	85391.xxx.ENTRX	83	FDP7	183	L015.xxx.RMR(LMR)	34
8471.000.	154	xxx.2DCR(2DCL)	86	85391.xxx.FDX	83	FDP8	185	L016.xxx.MR	34
8472.000.	154	85345.xxx.2ENT	86	85392.xxx.RENT	83	G6010.xxx.Suffix	134	L016.xxx.MRPN	34
8472.000.001	154	85345.xxx.2FD	86	85392.xxx.LENT	83	G6055.xxx.Suffix	134	L016.xxx.RMR(LMR)	34
8472.000.002	154	85345.	86	85392.xxx.RFD	83	G6060.xxx.Suffix	134	L017.xxx.MR	34
8472.000.003	154	xxx.2RFD(2LFD)	86	85392.xxx.LFD	83	G6065.xxx.Suffix	134	L017.xxx.MRPN	34
8472.000.004	154	85345.xxx.2RH(2LH)	86	85392.xxx.ENTRX	83	G6075.xxx.Suffix	134	L017.xxx.RMR(LMR)	34
8472.000.006	154	8535.xxx.Suffix	140	85392A.xxx.FDX	83	G6085.xxx.Suffix	134	L018.xxx.MR	34
8474.000.	57, 154	85350.xxx.ENTR	76	85395.xxx.RENT	74	G6090.xxx.Suffix	134	L018.xxx.MRPN	34
8475.000.001	154	85350.xxx.FD	76	85395.xxx.LENT	74	G6110.xxx.Suffix	134	L018.xxx.RMR(LMR)	34
8480.000.	57, 154	85350.xxx.RENT(LENT)	76	85395.xxx.RFD	74	G6130.xxx.Suffix	134	L020.xxx.MR	34
8481.509.01105	57, 154	85350.xxx.RFD(LFD)	76	85395.xxx.LFD	74	G6310.xxx.Suffix	134	L020.xxx.RMR(LMR)	34
8484.000.	154	85352.xxx.ENTR	82	85395.xxx.ENTRX	74	G6318.xxx.Suffix	134	L021.xxx.MR	35
8488E.000.A	66	85352.xxx.FD	82	85395.xxx.FDX	74	G6355.xxx.Suffix	134	L021.xxx.RMR(LMR)	35
8488E.000.B	66	85352.xxx.RENT(LENT)	82	85396.xxx.RENT	84	G6360.xxx.Suffix	134	L022.xxx.MR	35
8488E.000.C	66	85352.xxx.RENT(LENT)	82	85396.xxx.LENT	84	G6365.xxx.Suffix	134	L022.xxx.RMR(LMR)	35
8488E.000.D	66	85352.xxx.RFD(LFD)	82	85396.xxx.RFD	84	G6375.xxx.Suffix	134	L023.xxx.MR	35
8490.xxx.RCS	232	85353.xxx.ACRH(ACLH)	199	85396.xxx.LFD	84	G6377.xxx.Suffix	134	L023.xxx.RMR(LMR)	35
8498	148	85354.xxx.ENTR	81	85396.xxx.ENTRX	84	G6385.xxx.Suffix	134	L024.xxx.MR	35
8530.xxx.Suffix	140	85354.xxx.FD	81	85396.xxx.FDX	84	G6390.xxx.Suffix	134	L024.xxx.RMR(LMR)	35
8535.xxx.Suffix	140	85354.xxx.FD	81	85397.xxx.RENT	84	KC1	169	L025.xxx.MR	35
8540.xxx.Suffix	140	85354.xxx.RENT(LENT)	81	85397.xxx.LENT	84	KC3	173	L025.xxx.RMR(LMR)	35
8545.xxx.Suffix	140	85354.xxx.RFD(LFD)	81	85397.xxx.RFD	84	KC4	175	MP000.000.AINS	170
8555.xxx	142	85355.xxx.ENTR	77	85397.xxx.LFD	84	KC5	177	MP000.000.AINT	170
8560.xxx	142	85355.xxx.FD	77	85397.xxx.ENTRX	84	KC6	179	MP000.000.FDPTP	170
9935.999	154	85355.xxx.FD	77	85397.xxx.FDX	84	KC7	183	MP000.000.FDPTQ	170
9940.000.A	154	85355.xxx.RENT(LENT)	77	8601.xxx.	171	KC8	185	MP000.xxx.ACTA	174
85305.xxx.DBLC	71	85355.xxx.RFD(LFD)	77	8602.xxx.	171	KCA2	171	MP000.xxx.ACTB	174
85305.xxx.ENTR	71	85360.xxx.ENTR	78	8603.xxx.	171	KCT1	169	MP000.xxx.ACTC	174
85305.xxx.FD	71	85360.xxx.FD	78	8632.xxx.	171	KCT4	175	MP000.xxx.ACTD	176
85305.xxx.RDBL(LDBL)	71	85365.xxx.2DC	85	90670.xxx.CD	212	KCT7	183	MP000.xxx.ACTE	168
85305.xxx.RENT(LENT)	71	85365.	85	90671.xxx.CD	212	KCT8	185	MP000.xxx.ACTF	168
85305.xxx.RFD(LFD)	71	85365.xxx.2ENT	85	90672.xxx.CD	212	KN1	169	MP000.xxx.ACTG	168
85315.xxx.DBLC	72	85365.xxx.2FD	85	90673.xxx.CD	212	KN2	171	MP000.XXX.ACTI	168
85315.xxx.ENTR	72	85365.	85	90674.xxx.CD	212	KN3	173	MP000.xxx.PATJ	168
85315.xxx.FD	72	xxx.2RFD(2LFD)	85	90675.xxx.CD	212	KN4	175	MP000.xxx.PATK	168
85315.xxx.RDBL(LDBL)	72	85365.xxx.2RH(2LH)	85	90676.xxx.CD	212	KN5	177	MP000.xxx.PATL	168
85315.xxx.RENT(LENT)	72	85370.xxx.DBLC	76	90677.xxx.CD	212	KN6	179	MP000.xxx.PATM	168
85315.xxx.RFD(LFD)	72	85370.xxx.ENTR	76	90678.xxx.CD	212	KN7	183	MP000.xxx.PATO	168
85320.xxx.DBLC	71	85370.xxx.FD	76	90679.xxx.CD	212	KN8	185	M502.xxx.ENTR	126
85320.xxx.ENTR	71	85375.xxx.DBLC	77	ACT1	169	KNIR1	169	M502.xxx.RENT(LENT)	126
85320.xxx.FD	71	85375.xxx.ENTR	77	ACT2	171	KNIR2	171	M502.xxx.DBLC	126
85320.xxx.RDBL(LDBL)	71	85375.xxx.FD	77	ACT3	173	KNIR3	173	M502.xxx.RDBL(LDBL)	126
85320.xxx.RENT(LENT)	71	85380.xxx.DBLC	78	ACT4	175	KNIR4	175	M502.xxx.FD	126
85320.xxx.RFD(LFD)	71	85380.xxx.ENTR	78	ACT5	177	KNIR5	177	M502.xxx.RFD(LFD)	126
85327.xxx.DBLC	73	85380.xxx.FD	78	ACT6	179	KNIR6	179	M502.xxx.DM	126
85327.xxx.ENTR	73	85385.	86	ACT7	183	KNIR7	183	M502.xxx.KC	126
85327.xxx.FD	73	xxx.2DCR(2DCL)	86	ACT8	185	KNIR8	185	M502.xxx.KE	126
85327.xxx.RDBL(LDBL)	73	85385.	86	AIN1	169	KNOR1	169	M502.xxx.KN	126
85327.xxx.RENT(LENT)	73	85385.xxx.2RFD(2LFD)	86	AIN2	171	KNOR2	171	M502.xxx.KT	126
85335.xxx.DBLC	72	85385.xxx.2RH(2LH)	86	AIN3	173	KNOR4	175	M504.xxx.ENTR	127
85335.xxx.ENTR	72	85386.xxx.ACRH(ACLH)	199	AIN4	175	KNOR3	173	M504.xxx.RENT(LENT)	127
85335.xxx.FD	72	85386.xxx.RDBL(LDBL)	73	AIN5	177	KNOR5	177	M504.xxx.LENT	127
85337.xxx.ENTR	79	85386.xxx.RENT(LENT)	73	AIN6	179	KNOR6	179	M504.xxx.RDBL(LDBL)	127
85337.xxx.FD	79	85386.xxx.RFD(LFD)	73	FD1	169	KNOR7	183	M504.xxx.FD	127
85337.xxx.RENT(LENT)	79	85387.xxx.RENT(LENT)	85	FD2	171	KNOR8	185	M504.xxx.RFD(LFD)	127
85337.xxx.RFD(LFD)	79	85387.xxx.RFD(LFD)	85	FD3	173	KT3	173	M504.xxx.DM	127
85340.xxx.ENTR	79	85390.xxx.RENT	74	FD4	175	KT5	177	M504.xxx.KC	127
85340.xxx.FD	79	85390.xxx.LENT	74	FD5	177	KT6	179	M504.xxx.KE	127
85340.xxx.RFD(LFD)	79	85390.xxx.RFD	74	FD6	179	KTA2	171	M504.xxx.KN	127
85340.xxx.ENTR	79	85390.xxx.LFD	74	FD7	183	L002.xxx.MR	33	M504.xxx.KT	127
85340.xxx.FD	79	85390.xxx.ENTRX	74	FD8	185	L002.xxx.RMR(LMR)	33	M512.xxx.ENTR	128
		85390.xxx.FDX	74	FDP1	169	L004.xxx.MR	33	M512.xxx.RENT(LENT)	128
		85391.xxx.RENT	83	FDP2	171	L004.xxx.RMR(LMR)	33	M512.xxx.DBLC	128
				FDP3	173	L006.xxx.MR	33	M512.xxx.RDBL(LDBL)	128

M512.xxx.FD	128	R009.xxx.IDM	41	R030.xxx.IPV	44	R040.xxx.RPV(.LPV)	45
M512.xxx.RFD(LFD)	128	R009.xxx.IPS	41	R030.xxx.PS	44	R041.xxx.EGRK	45
M512.xxx.DM	128	R009.xxx.IPV	41	R030.xxx.PV	44	R041.xxx.EGRL	45
M512.xxx.KC	128	R009.xxx.PS	41	R031.xxx.FD	44	R041.xxx.ENTR	45
M512.xxx.KE	128	R009.xxx.PV	41	R031.xxx.IDM	44	R041.xxx.FD	45
M512.xxx.KN	128	R010.xxx.FD	41	R031.xxx.IPS	44	R041.xxx.IDM	45
M512.xxx.KT	128	R010.xxx.IDM	41	R031.xxx.PS	44	R041.xxx.IPS	45
M514.xxx.ENTR	129	R010.xxx.IPS	41	R031.xxx.PV	44	R041.xxx.PS	45
M514.xxx.RENT(LENT)	129	R010.xxx.IPV	41	R031.xxx.RPV(.LPV)	44	R041.xxx.PV	45
M514.xxx.DBLC	129	R010.xxx.PS	41	R032.xxx.EGRK	44	R041.xxx.RPV(.LPV)	45
M514.xxx.RDBL(LDBL)	129	R010.xxx.PV	42	R032.xxx.EGRL	44	R045.xxx.PS	46
M514.xxx.FD	129	R011.xxx.FD	42	R032.xxx.ENTR	44	R045.xxx.FD	46
M514.xxx.RFD(LFD)	129	R011.xxx.IDM	42	R032.xxx.FD	44	R045.xxx.IPS	46
M514.xxx.DM	129	R011.xxx.IPS	42	R032.xxx.IDM	44	R045.xxx.IDM	46
M514.xxx.KC	129	R011.xxx.IPV	42	R032.xxx.IPS	44	R045.xxx.PV	46
M514.xxx.KE	129	R011.xxx.PS	42	R032.xxx.PS	44	R045.xxx.IPV	46
M514.xxx.KN	129	R011.xxx.PV	42	R032.xxx.PV	44	R046.xxx.PS	46
M514.xxx.KT	129	R012.xxx.FD	42	R032.xxx.RPV(.LPV)	44	R046.xxx.FD	46
M522.xxx.ENTR	131	R012.xxx.IDM	42	R033.xxx.FD	44	R046.xxx.IPS	46
M522.xxx.RENT(LENT)	131	R012.xxx.IPS	42	R033.xxx.IDM	44	R046.xxx.IDM	46
M522.xxx.DBLC	131	R012.xxx.IPV	42	R033.xxx.IPS	44	R046.xxx.PV	46
M522.xxx.RDBL(LDBL)	131	R012.xxx.PS	42	R033.xxx.IPV	44	R046.xxx.RPV(.LPV)	46
M522.xxx.FD	131	R012.xxx.PV	42	R033.xxx.PS	44	R047.xxx.PS	46
M522.xxx.RFD(LFD)	131	R016.xxx.FD	42	R033.xxx.PV	44	R047.xxx.FD	46
M522.xxx.DM	131	R016.xxx.IDM	42	R034.xxx.FD	44	R047.xxx.IPS	46
M522.xxx.KC	131	R016.xxx.IPS	42	R034.xxx.IDM	44	R047.xxx.IDM	46
M522.xxx.KE	131	R016.xxx.IPV	42	R034.xxx.IPS	44	R047.xxx.PV	46
M522.xxx.KN	131	R016.xxx.PS	42	R034.xxx.PS	44	R047.xxx.RPV(.LPV)	46
M522.xxx.KT	131	R016.xxx.PV	42	R034.xxx.PV	44	R047.xxx.ENTR	46
PAT1	161	R017.xxx.FD	42	R034.xxx.RPV(.LPV)	44	R047.xxx.EGRK	46
PAT2	163	R017.xxx.IDM	42	R035.xxx.EGRK	44	R047.xxx.EGRL	46
PAT3	165	R017.xxx.IPS	42	R035.xxx.EGRL	44	R048.xxx.PS	46
PAT4	167	R017.xxx.IPV	42	R035.xxx.ENTR	44	R048.xxx.FD	46
PAT5	169	R017.xxx.PS	42	R035.xxx.FD	44	R048.xxx.IPS	46
PAT6	171	R017.xxx.PV	42	R035.xxx.IDM	44	R048.xxx.IDM	46
PAT7	175	R018.xxx.FD	42	R035.xxx.IPS	44	R048.xxx.PV	46
PAT8	177	R018.xxx.IDM	42	R035.xxx.PS	44	R048.xxx.RPV(.LPV)	46
PD005	159	R018.xxx.IPS	42	R035.xxx.PV	44	R048.xxx.ENTR	46
PD006	160	R018.xxx.PS	42	R035.xxx.RPV(.LPV)	44	R048.xxx.EGRK	46
PD007	161	R026.xxx.FD	43	R036.xxx.FD	45	R048.xxx.EGRL	46
PD016	162	R026.xxx.IDM	43	R036.xxx.IDM	45	TK001.xxx	54
PKT3	165	R026.xxx.IPS	43	R036.xxx.IPS	45	TK002.xxx	54
PKT5	169	R026.xxx.IPV	43	R036.xxx.IPV	45	TK003.xxx	54
PKT6	171	R026.xxx.PS	43	R036.xxx.PS	45	TK004.xxx	54
R003.xxx.FD	41	R026.xxx.PV	43	R036.xxx.PV	45	TK005.xxx	54
R003.xxx.IDM	41	R027.xxx.FD	43	R037.xxx.FD	45	TK007.xxx	54
R003.xxx.IPS	41	R027.xxx.IDM	43	R037.xxx.IDM	45	U5510.xxx	47
R003.xxx.IPV	41	R027.xxx.IPS	43	R037.xxx.IPS	45	U8201.xxx.DB	206
R003.xxx.PS	41	R027.xxx.IPV	43	R037.xxx.PS	45	U8202.xxx.DB	206
R003.xxx.PV	41	R027.xxx.PS	43	R037.xxx.PV	45	U8208.xxx.DB	206
R004.xxx.FD	41	R027.xxx.PV	43	R037.xxx.RPV(.LPV)	45	U8209.xxx.DB	206
R004.xxx.IDM	41	R028.xxx.FD	43	R038.xxx.ENTR	45		
R004.xxx.IPS	41	R028.xxx.IDM	43	R038.xxx.FD	45		
R004.xxx.IPV	41	R028.xxx.IPS	43	R038.xxx.IDM	45		
R004.xxx.PS	41	R028.xxx.PS	43	R038.xxx.IPS	45		
R004.xxx.PV	41	R028.xxx.PV	43	R038.xxx.PS	45		
R007.xxx.FD	41	R028.xxx.RPV(.LPV)	43	R038.xxx.PV	45		
R007.xxx.IDM	41	R029.xxx.EGRK	43	R038.xxx.RPV(.LPV)	45		
R007.xxx.IPS	41	R029.xxx.EGRL	43	R039.xxx.FD	45		
R007.xxx.IPV	41	R029.xxx.ENTR	43	R039.xxx.IDM	45		
R007.xxx.PS	41	R029.xxx.FD	43	R039.xxx.IPS	45		
R007.xxx.PV	41	R029.xxx.IDM	43	R039.xxx.IPV	45		
R008.xxx.FD	41	R029.xxx.IPS	43	R039.xxx.PS	45		
R008.xxx.IDM	41	R029.xxx.PS	43	R039.xxx.PV	45		
R008.xxx.IPS	41	R029.xxx.PV	43	R040.xxx.FD	45		
R008.xxx.IPV	41	R029.xxx.RPV(.LPV)	43	R040.xxx.IDM	45		
R008.xxx.PS	41	R030.xxx.FD	44	R040.xxx.IPS	45		
R008.xxx.PV	41	R030.xxx.IDM	44	R040.xxx.PS	45		
R009.xxx.FD	41	R030.xxx.IPS	44	R040.xxx.PV	45		

<b>ALPHABETICAL INDEX</b>	<b>PAGE</b>
<b>American Cylinder – See Multi-Point</b>	
Armored Fronts	145
Blocking Rings	147
Communicating Door Kit	58
Cremona Bolt	194
<b>Back Plates</b>	
Edinburgh	245
Cabinet Pull Base	245
Knob	245
<b>Bell Buttons</b>	
Beaded	211
Oval	212
Rectangular	212
Round	211
Victorian	212
<b>Casement Fasteners</b>	
w/Mortise Strike	217
w/Rim Strike	217
w/Surface Strike	217
<b>Cylinders</b>	
Key Blanks	152
Lock Trim Thickness Index	146
Mortise Cylinders (Single & Double)	147
European Cylinders	66
Rim Lock Cylinders	151
<b>Cylinders - Accessories</b>	
5-pin Cylinder Spring Covers	148
6-pin Cylinder Spring Covers	148
Adams Rite Cam	148
Cylinder Springs	148
Emhart Cam	148
Mortise Lock Turn Piece Cylinders	148
Residential Trim Marking Template Doors	148
Rim Cylinder Tailpieces	148
Standard Cam	148
Cylinders – C-Keyway Table	149
<b>Cylinders – Cylinder Trim/Collars</b>	
Beaded Cylinder Collar	149
Blocking Rings	149
Colonial Cylinder Collar	149
Compression Cylinder Collar	149
Contemporary Round Collar	149
Contemporary Square Collar	149
Cylinder Lock Cover Plate	149
Dummy Cylinder	149
European Mortise Cylinder Collars	65
Lakeshore Cylinder Collar	149
Oval Cylinder Collar	149
Square Cylinder Collar	149
Wrought Cylinder Collar	149
<b>Deadbolts</b>	
Arched	204
Bethpage	203
Contemporary	201, 202
Soho	204
Squared	204
Traditional	203
Deadbolts - Accessories	206
Deadbolts - Conversion Kits	207
<b>Deadbolts - Components Components</b>	
Bethpage Turn Piece	206
Contemporary Inside Cylinder Collar	206
Contemporary Outside Cylinder Collar	206
Contemporary Turn Piece Assembly	206
Cyl. And Tail Piece–Egress Handlesets	206
Cylinder Cap Tool	206

Cylinder Tail Piece	206
Cyl. Threaded Sleeve–Mounting Dbl Cyl. Deadbolt	206
Double Cylinder For Handlesets & Deadbolts	206
Pan Head Thru–Bolt	206
Traditional Inside Cylinder Collar	206
Traditional Outside Cylinder Collar	206
Traditional Turn Piece Assembly	206
Tumbler Springs	206
Turn Piece Tail Piece, Older Style Handleset	206
<b>Deadbolts - Strikes</b>	
Dust Box	206
Radius Corner Deadbolt Strike	206
Standard Security Deadbolt Strike	206
<b>Deadbolts - Thick Door Kits</b>	
For New Mechanics	207
For Original Mechanics	207
<b>Deadbolts - Trim Rings &amp; Collars</b>	
Cylinder Collar Spacers	207
Double Cylinder Conv. Kit	207
Single Cylinder Conv. Kit	207
Trim Rings	207
<b>Door Guards</b>	
Chain	213
Security	213
<b>Door Stops</b>	
Base Mounted Door Bumpers	228
Concave Wall Bumpers	228
Convex Wall Bumpers	228
Floor Bumper	227
Half Dome Door Bumper	227
Lever Door Holder	228
Riser for Dome Bumper	227
Universal Floor Bumper	227
<b>Dust Boxes</b>	
For Deadbolt Latch	145
For Interior Tubular Lock (for 5510 Latch)	49
For Mortise Lock	140
Emergency Release Trim & Backplates	55
<b>Edge Pulls</b>	216
<b>Entrance Trim (Mortise &amp; Tubular)</b>	
Ashton	85
Atlanta	107
Baltimore	100
Barclay	121
Bethpage Sectional	79
Bethpage	79
Bismark	115
Blakely	78
Boston	96
Boulder	81
Boulder ¾	81
Bristol (Tubular)	74
Bristol	120
Bristol Lever	120
Bristol Sectional	91
Buckingham	78
Canterbury	71
Chicago	100
Cody	79
Cody ¾	82

Concord	108
Dallas	114
Denver	114
Detroit	103
Devonshire	80
Edinburgh	119
Fenwick	119
Georgetown	99
Glennon	77
Hamilton	97
Houston	123
Kensington	118
Kensington	92
Kensington ¾ (Tubular)	80
Lakeshore	122
Lakeshore Lever	122
Lakewood	113
Lancaster	96
Landon	86
Lexington	102
Logan	72
Madison	71
Manchester	76
Minneapolis	124
Monterey	105
Nantucket	77
Nashville	98
New York	103
Pasadena	116
Reading	106
Richland	125
Richmond	101
San Diego	93
San Francisco	94
Santa Monica	110
Soho	73
Soho ¾	85
Soho Two-Point	86
Springfield	109
Stanford	97
Stonegate	77
Tremont	95
Trenton	106
Versailles	117
Victoria	117
Westminster	118
Williamsburg	99
Wilmington	102

<b>Flush Bolts &amp; Strikes</b>	
Dustproof Strike	219
Flush Bolts	219
Rabbeted Guide	219
Rabbeted Strike	219
<b>Flush Rings</b>	217
<b>Garden/Gliding Door Trim</b>	
Boulder	162
Cody	163
Concord	162
Exterior Locking Cylinder Housing	163
Hamilton	162
<b>Hinges</b>	
Ball Bearing	233
Cabinet	234
Radius Corner	232
Replacement Screws & Pins	230
Square Corner	231
<b>How to Order &amp; Installation</b>	
Essentials	4
Dummy	6
Passage	7
Privacy	8
<b>House Numbers</b>	212
<b>Installation Tools</b>	
Aligning Bushing	57
Aligning Tool & Bushing	57
Socket Wrench	57
Spanner Tool	57
<b>Keying - Kits &amp; Components</b>	
Bottom Pins	154
Top Pins	154
Master Pins	154
Adams Rite Cams	154
Cam mounting screws	154
Cap	154
Cap tool	154
Cylinder plug follower	154
Finish demonstrator	154
Hotel pin	154
Key gauge	154
Large keying kit for all (C)keying	154
Mounting plate	154
Mounting screws	154
Small keying kit for keying (C) cylinders alike	154
Spacer	154
Spring covers	154
Springs	154
Standard cams	154
Stile-right template	154
Tailpiece	154
Tumbler springs	154
Tweezers	154
Washer	154
<b>Keyless Entry - Electronics</b>	
Soho Deadbolt	199
Soho Sectional Handleset Kit	199
Boulder Deadbolt	199
Boulder Sectional Handleset Kit	199
<b>Kickplates</b>	220
<b>Knobs - Cabinet</b>	
Colonial	240
Couture	240
Crystal	237, 238
Deco	239
Decorative	241

Dominion	239
Edinburgh	239
Melon	239
Ornamental	240, 241
Oval	240, 241
Ring Deco	238
Rope	240
Severin Fayerman Collection	238, 239
Spherical	241
<b>Knobs - Interior A La Carte</b>	
5000	19
5001	19
5005	19
5009	19
5011	19
5013	20
5015	20
5020	20
5023	20
5024.xxx.MR.(IMR)	21
5025	13
5030	21
5031	21
5041	21
5045	21
5050	22
5055	23
5057	22
5060	22
5064	22
5065	23
5066	23
5067	23
5068	23
5069	23
5073	24
5077 Bethpage	24
5080 Filmore	24
K002	24
K003	24
K004	25
K005	25
K006	25
<b>Knobs - Interior Tubular Pre-Configured Sets</b>	
5015 Classic	13
5020 Colonial	13
5025 Egg	13
5080 Filmore	13
<b>Knobs - Tubular Keyed Entry</b>	
Bethpage (5237/5238/5239/5241)	16
Classic (5205/5206/5208/5209)	15
Colonial (5210/5211/5213/5214)	15
Contemporary (5215/5216/5218/5219)	15
Egg (5225/5226/5228/5229)	15
5023 Knob (5275/5276/5278/5279))	15
<b>Knockers</b>	
"S"	210
Colonial	210
Colonial w/ Observascope	210
French	210
Imperial	210
Observ-O-Scope (doors <2.25" thick)	211
Observ-O-Scope (doors 2.25-3.25" thick)	211
Ring	211
Victorian	210

<b>Latches - Tubular</b>	
Passage - Knob Strength	47
Passage - Lever Strength	47
Privacy - Knob Strength	47
Privacy - Lever Strength	47
<b>Levers - Interior A La Carte</b>	
5101	26
5103	26
5104	26
5104E	62
5105	26
5106	26
5107	27
5107E	62
5108	27
5109	27
5112	27
5113	27
5114	28
5115	28
5116	28
5117	28
5118	28
5121	29
5122	29
5122E	60
5125	29
5132	29
5137	29
5138	30
5141	30
5152	30
5152E	60
5161	30
5162	30
5162E	63
5164	31
5165	31
5166	31
5166E	63
5173	31
5190	31
5190E	62
5440V Colonial	32
5445V Classic	32
5447V Bethpage	32
5452V	32
5455V Wave	32
5460V Contemporary	33
5485V Soho	33
L002	33
L004	33
L005	33
L006	34
L015	34
L016	34
L017	34
L018	34
<b>Levers - Interior Tubular Pre-Configured Sets</b>	
5162	14
5445V Classic	14
5452V Bevertail	14
5455V Wave	14
5485V Soho	14

<b>Levers - Tubular Keyed Entry</b>	
Bethpage (5237/5238/5239/5241)	16
Classic (5245/5246/5248/5249)	16
Wave (5255/5256/5258/5259)	17
<b>Misc - Replacement Parts</b>	<b>153</b>
<b>Mortise - Deadlocks</b>	
<b>142</b>	
<b>Mortise - European</b>	
How to Order	60, 181
Configuration 7 (72mm CTC)	183
Configuration 8 (85mm CTC)	185
Sectional Trims	61
<b>Mortise Locks - Accessories</b>	
Strikes	144, 145
Armored Fronts	145
Mortise Locks - Electrical	143
Mortise Locks - Entrance Function	136, 137
Mortise Locks - Grade 1, Light Duty Commercial	138
Mortise Locks - Interior, Heavy Duty	141
Mortise Locks - Interior, Small Case	140
<b>Multi-Point</b>	
Configuration 1 (Profile Cylinder Below Handle - 8 1/2" CTC)	169
Configuration 2 (American Cylinder Above Handle - 8 1/2" CTC)	171
Configuration 3 (American Cyl Below Handle - 8 3/8" CTC)	173
Configuration 4 (Profile Cylinder Below Handle - 7 7/8" CTC)	175
Configuration 5 (American Cyl Above/Below Handle - 7 9/16" CTC)	177
Configuration 6 (American Cylinder Above Handle - 7 1/4" CTC)	179
<b>Pre-Drilled Door Accessories</b>	
2 1/8" Pre-Drilled Door Adaptor	48
Dummy Insert & Filler Plate	51
Closet Spindles	56
<b>Privacy</b>	
Button - Knob Strength	48
Button Extender	48
<b>Pull Plates</b>	
222	
<b>Pulls</b>	
Atlanta	223
Bristol	224
Concord	224
Contemporary	223
Edinburgh	224
Empire	223
Hamilton	224
Kensington/Victoria	226
Lancaster/Charleston/Plymouth	225
Lexington	224
Monterey	226
New York/Princeton/Richland	223
Pasadena	225
Pitcher	225
Rensselaer	225
Richmond	223
San Diego	223
Springfield	225
Tremont	223
Trenton	226
Utility	223
<b>Pulls - Appliance</b>	246
<b>Pulls - Cabinet</b>	
Arch	243
Colonial	244

Couture Collection	242
Crystal	241
Cup	242
Deco	243
Dominion	243
Edinburgh	244
Melon Cup	243
Oval	243
Severin Fayerman Collection	242
Spindle	243
Wire	244
<b>Push Plates</b>	
Arched	221
Bristol	222
Nashville	221
Rounded	221
San Francisco	222
Scalloped	221
Square Edge	221
<b>Rim Locks</b>	
Accessories	193
Entrance, Special Function	191
Passage, Privacy, Entrance	190
Rim Cylinders	151
Standards & Specifications	189
Trim	192
<b>Roller &amp; Ball Catches</b>	
Adjustable Ball Catch	216
Adjustable Roller Catch	216
Roller Latch	216
<b>Sash Locks &amp; Pulls</b>	
Flush Pull	217
Sash Lift	217
Sash Lock	217
<b>Rosettes</b>	
5002	36
5003	36
5004	36
5006	37
5010	37
5016	38
5016E	64
5017	36
5017E	64
5019	38
5021	38
5027	38
5027E	64
5028	39
5032	37
5032E	64
5035	39
5038	39
5042	40
5046	37
5047	40
5048	36
5053	38
5056	40
5056E	64
5058	40
5059	40
5062	38
5070	37
5075	39
5076	39

5078	39
5119	38
5123	37
5127	39
5129	39
5134	39
5139	37
5142	40
5145	38
5146	37
5147	40
5148	36
5149	36
5151	37
5153	38
5155	39
5156	39
5157	39
5158	40
5159	40
5160	40
R003	41
R004	41
R007	41
R008	41
R009	41
R010	41
R011	42
R012	42
R016	42
R017	42
R018	42
R026	43
R027	43
R028	43
R029	43
R030	44
R031	44
R032	44
R033	44
R034	44
R035	44
R036	45
R037	45
R038	45
R039	45
R040	45
R041	45
<b>Sliding Door Locks</b>	
<b>159</b>	
<b>Spare Parts</b>	
Rose Retainers	47
Screw Bases	54
Screw Covers	56
Set Screw	48
<b>Spindles</b>	
Closet Spindles	56
Dummy Spindles	51
Broached Straight Spindles	50
Broached Swivel Spindles	50
Broached Half Spindles	50
Transitional Straight Spindles	50
Transitional Swivel Spindles	50
Transitional Half Spindles	50

<b>Strikes</b>	
Angle	213
ASA Extended Lip - Mortise	142
ASA Straight & Curved Lip - Mortise	142
ASA Strike - Tubular	49
Combination Privacy Strike - Tubular	49
Deadlock - Mortise	145
Extended Full Lip Strike - Tubular	49
Full Lip Strike - Tubular	49
Heavy Duty Angle	213
Mortise	213
Rabbeted Door - Mortise	145
Surface	213
Universal	213
<b>Surface Bolts</b>	214
<b>Switchplates</b>	
Beveled Edge	234, 235
Colonial	215, 216
Rope	236
<b>Thin &amp; Thick Door Kits</b>	
Thick Door Mortise Kits	132
Thin Steel Door Mortise Kits	133
Thin Steel Door Tubular Kits	133
Tools & Accessories	154
<b>Tubular Entrance Sets - See Entrance Trim</b>	
<b>Tubular Deadbolts - See Deadbolts</b>	
<b>Tubular Keyed Entry Levers- See Levers - Tubular Keyed Entry</b>	
<b>Tubular Keyed Entry Knobs - See Knobs - Tubular Keyed Entry</b>	
Turn Knobs	54
Turn Pieces	53
UL Kits - Passage & Privacy Tubular	47





# CONDITIONS OF SALE

---

**TERMS:** 2%/25 Days, Net/30

**SHIPMENTS:** U.S. customers - F.O.B. Charlotte, NC or Nogales, AZ. Full freight allowed on purchase orders of \$1,000 net invoice value, sent through routing of our selection. Delivery is made to curb or dock side only. Freight allowed shipments to Alaska will be prepaid to Seattle, to Hawaii will be prepaid to San Francisco, and to Puerto Rico will be prepaid to Miami. Upon delivery to the transportation company, shipments become the property of the purchasers, who assume full risk for loss or damage in transit.

International Customers - Orders of \$1,000 net invoice value will ship FCA to city specified on the commercial invoice. Orders of less than \$1,000 net value will ship EXW. Exceptions will be subject to the INCO terms stated on the commercial invoice. Candian customers should contact their sales reps for variations to these terms.

**CLAIMS:** All claims, whether referring to errors in prices, or in filling orders or for defective goods, must be submitted IN WRITING within 30 days after receipt of shipment. Tracing of all lost shipments must be submitted IN WRITING within 30 days or the liability and risk is placed on the purchasers. All issued documents by a carrier confirming receipt of a shipment must be honored by the purchasers.

**RETURNED GOODS:** Returned goods will not be accepted unless authorized in writing by Baldwin within 120 days of invoice date. A minimum 25% handling charge and freight will be charged on all stock items returned in original condition. Special and custom products are not returnable for credit. An 80% handling charge will be imposed on products damaged. No credit will be given for items returned without written authorization, nor will the items be returned to the customer. Authorized returns become void after a period of 30 days from issue date of the Returned Goods Authorization. All credit returns must be shipped to us, FREIGHT PREPAID.

**ORDERS:** Orders of less than \$250.00 net will automatically incur a \$15.00 surcharge. Most orders for stock items will be shipped within four (4) weeks from receipt of order. To expedite customer orders, items unavailable from stock at time of shipment will be back-ordered unless otherwise noted by customer. Quantities of a particular item will be rounded to the next full box quantity without incurring any obligations for credit. We reserve the right to decline the whole or part of orders in which the price, finishes or quantity of goods is not satisfactory to us. We reserve the right to discontinue items or change specifications at any time without notice and without incurring any obligations. The corporation cannot be liable for extended delivery dates which may result in the cancellation of an order.

**CANCELLATIONS:** While Baldwin will attempt to comply with customer's written change orders and/or cancellations, we cannot guarantee that they can be accomplished before shipment. Appropriate handling charges on returns will be exercised if the order has been shipped before processing a change order request. All requests must be submitted in writing.

**PRICES:** The price list in effect on the date customer order is received will determine billing price. Orders requiring delivery in excess of three (3) months will be billed at prices in effect at time of shipment, unless quoted to the contrary in writing by our company.

Orders being held by Baldwin because of account credit status may be repriced to the price in effect the day the order is released by the Baldwin Credit Department.

**SPECIFICATIONS:** Packing, weights, measurements, and design are subject to change without notice.

**SPECIAL FABRICATION:** Items of Special Manufacture are not cancelable after a period of 72 hours from receipt of an order. A cancellation of this nature will result in a penalty charge equal to the total expenses incurred on the product. Delivery on orders of special fabrication cannot be guaranteed due to variables beyond our control. The corporation cannot be liable for extended deliveries on special orders and consequently, are not cancelable.

**Limited Lifetime Mechanical Warranty:** Baldwin warrants that each Baldwin product shall be free of mechanical defect for the original purchaser for as long as you own your home.

**Limited Lifetime Finish™ Warranty:** The Baldwin Lifetime Finish uses advanced finishing technology (physical vapor deposition) to create a finish highly resistant to the effects of weather and normal wear and tear. The Limited Lifetime Finish Warranty on Lifetime Finish™ products covers the original purchaser for as long as you own your home.

**Limited Finish Warranty:** The finish on Baldwin products (excluding Lifetime Finish and living finish products) is protected by a durable topcoat designed to maintain the beauty and quality of the Baldwin product. The Baldwin Limited Finish Warranty covers the original purchaser for five years from date of purchase for interior use and one year for exterior use.

**Living Finishes:** Due to the nature of Baldwin living finish products, they will wear over time and may already have begun the process before reaching your home. No finish warranty is offered on living finish products, which are designed to age and improve over time. Living finishes include raw brass, oil rubbed bronze, stainless steel, and other non-lacquered or non-PVD finishes.

**IMPORTANT! You must install Baldwin strikeplate or your warranty is void.**

Except as expressly provided in this warranty to the contrary, (a) BALDWIN MAKES NO, AND DISCLAIMS ALL, WARRANTIES, REPRESENTATIONS AND GUARANTEES (WHETHER EXPRESS, IMPLIED OR STATUTORY), INCLUDING, BUT NOT LIMITED TO, ANY IMPLIED WARRANTY OF MERCHANTABILITY OR FITNESS FOR A PARTICULAR PURPOSE, AND (b) BALDWIN SHALL NOT BE OBLIGATED OR LIABLE FOR LABOR OR OTHER COSTS RELATED TO INSTALLATION, REPAIR OR REPLACEMENT OR FOR LOSS OF, OR DAMAGE TO, ANY MATERIAL WHICH IS NOT SOLD BY BALDWIN. IN NO EVENT SHALL THE DURATION OF ANY IMPLIED WARRANTY OF MERCHANTABILITY OR FITNESS FOR A PARTICULAR PURPOSE BE LONGER THAN the lifetime of the applicable product or for as long as the original purchaser owns the product. This warranty is the only express warranty provided by Baldwin. No employee, representative or agent nor any other person has authority to assume or incur on behalf of Baldwin any obligation or liability in place of or in addition to this warranty.

Each of Baldwin's direct customers shall receive any claims and take delivery of any allegedly defective Baldwin products from the consumers and shall communicate and otherwise cooperate in a reasonable manner with Baldwin concerning the administration, processing and remedying of such claims, including, but not limited to, delivering repaired or replacement Baldwin products or, in the appropriate case, purchase price refunds to consumers. Please Note: The limited warranty on all locks or latches is void if used in combination with knobs, levers or trim of other than those manufactured by Baldwin and designated for use with the applicable locks or latches.

**STANDARDS OF EXCELLENCE:** Baldwin Hardware Corporation has produced a range of products in accordance to the HIGHEST STANDARDS OF QUALITY AND EXCELLENCE. All brass products are manufactured from the finest quality brass obtainable; however, these products are susceptible to indentation and imperfections due to the malleability of the material and the elements of human intervention when crafting the product. Although our internal safeguards protect us against shipping products of unacceptable quality, an imperfection or surface blemish may be considered the highest Quality Standard obtainable on a particular product. Baldwin is committed to producing each item to the most stringent guidelines and quality of human ability and excellence; however, all final decisions of Quality remain exclusively in the authorization of the Corporation. While Baldwin makes every effort to provide an accurate price list, we are not responsible for errors and/or omissions which may appear. Customers will be invoiced the actual price on all orders.

INTERIOR & ENTRANCE HARDWARE  
**SPINDLES**

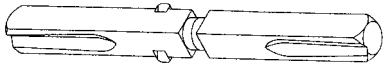
**0509 - 0516 Broached Straight Spindles – PASSAGE**



Item #	Description	Size
0509.004	Broached straight	3"
0510.004	Broached straight	3.5"
0511.004	Broached straight	4"
0512.004	Broached straight	4.5"
0513.004	Broached straight	5"
0514.004	Broached straight	5.5"
0515.004	Broached straight	6"
0516.004	Broached straight	7"

\$12

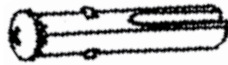
**0509 - 0516 Broached Swivel Spindles – PRIVACY**



Item #	Description	Size
0519.004	Broached swivel	3"
0520.004	Broached swivel	3.5"
0521.004	Broached swivel	4.5"
0522.004	Broached swivel	4"
0523.004	Broached swivel	5"
0524.004	Broached swivel	5.5"
0525.004	Broached swivel	6.5"

\$16

**0530 - 0533 Broached Half Spindles – FRONT DOOR**  
 (thumbpiece to knob or lever)

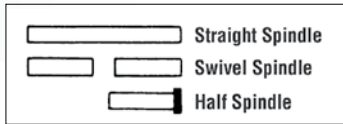


Item #	Description	Size
0530.004	Broached half	2.375"
0531.004	Broached half	2.875"
0532.004	Broached half	3.375"
0533.004	Broached half	2.25"
0539.004	Broached half	2.625"

\$12

> For mounting all current Estate knobs and levers to thumbpiece of handlesets  
 > Included with all 'set' orders

**SPINDLE CHART & KEY**



Door Thickness	1.375"		1.75"		2"		2.25"		2.5"	
	Spindle	Half Spindle	Spindle	Half Spindle	Spindle	Half Spindle	Spindle	Half Spindle	Spindle	Half Spindle
<b>A - .0625"</b>	3.5"	2.25"	4"	2.25"	4"	2.25"	4.5"	2.25"	4.5"	2.375"
<b>B - .0937"</b>	3.5"	2.25"	4"	2.25"	4"	2.25"	4.5"	2.25"	4.5"	2.375"
<b>C - .125"</b>	3.5"	2.25"	4"	2.25"	4.5"	2.25"	4.5"	2.25"	5"	2.375"
<b>D - .1875"</b>	3.5"	2.25"	4"	2.25"	4.5"	2.25"	4.5"	2.375"	5"	2.375"
<b>E - .25" Estate Roses</b>	3.5"	2.25"	4"	2.25"	4.5"	2.25"	4.5"	2.375"	5"	2.875"
<b>F - .3125"</b>	4"	2.25"	4.5"	2.25"	4.5"	2.375"	5"	2.375"	5"	2.875"
<b>G - .375"</b>	4"	2.25"	4.5"	2.25"	5"	2.375"	5"	2.875"	5.5"	2.875"
<b>H - .435"</b>	4.5"	2.25"	4.5"	2.375"	5"	2.375"	5"	2.625"	5.5"	2.875"
<b>I - .56"</b>	4.5"	2.25"	5"	2.375"	5"	2.625"	5.5"	2.625"	5.5wv"	2.875"
<b>J - .75"</b>	5"	2.625"	5.5"	2.875"	5.5"	2.875"	6"	2.875"	6"	2.875"

**.A SUFFIX TRANSITIONAL SPINDLES (OLD STYLE):**

For use with all discontinued Estate **threaded** knobs & levers, as well as all current Estate knobs and levers

**Transitional Straight Spindles – Passage**

Item #	Description	Size
0509.004.A	Transitional straight	3"
0510.004.A	Transitional straight	3.5"
0511.004.A	Transitional straight	4"
0512.004.A	Transitional straight	4.5"
0513.004.A	Transitional straight	5"
0514.004.A	Transitional straight	5.5"
0515.004.A	Transitional straight	6"
0516.004.A	Transitional straight	7"

\$17

**Transitional Swivel Spindles – Privacy**

Item #	Description	Size
0519.004.A	Transitional swivel	3"
0520.004.A	Transitional swivel	3.5"
0521.004.A	Transitional swivel	4.5"
0522.004.A	Transitional swivel	4"
0524.004.A	Transitional swivel	5"
0525.004.A	Transitional swivel	6.5"

\$21

**Transitional Half Spindles – Front Door (thumbpiece to knob or lever)**

Item #	Description	Size
0530.004.A	Transitional half	2.375"
0531.004.A	Transitional half	2.875"
0532.004.A	Transitional half	3.375"
0533.004.A	Transitional half	2.25"

\$17

Single Cylinder – C Keyway

Door Thickness	1.375"		1.75"		2"		2.25"		2.5"	
	Cylinder Length	Blocking Ring	Cylinder Length	Blocking Ring	Cylinder Length	Blocking Ring	Cylinder Length	Blocking Ring	Cylinder Length	Blocking Ring
A - .0625"	1" 8321.xxx	.1875" 8440.xxx.5	1" 8321.xxx	—	1.125" 8322.xxx	—	1.25" 8323.xxx	—	1.375" 8324.xxx	—
B - .0937"	1" 8321.xxx	.1562" 8440.xxx.4	1" 8321.xxx	—	1.125" 8322.xxx	—	1.25" 8323.xxx	—	1.375" 8324.xxx	—
C - .125"	1" 8321.xxx	.125" 8440.xxx.3	1.125" 8322.xxx	—	1.125" 8322.xxx	—	1.25" 8323.xxx	—	1.375" 8324.xxx	—
D - .1875"	1" 8321.xxx	—	1.125" 8322.xxx	—	1.25" 8323.xxx	—	1.375" 8324.xxx	—	1.5" 8325.xxx	—
E - .25"	1" 8321.xxx	—	1.25" 8323.xxx	—	1.25" 8323.xxx	—	1.375" 8324.xxx	—	1.5" 8325.xxx	—
F - .3125"	1.125" 8322.xxx	—	1.25" 8323.xxx	—	1.375" 8324.xxx	—	1.5" 8325.xxx	—	1.625" 8326.xxx	—
G - .375"	1.125" 8322.xxx	—	1.25" 8323.xxx	—	1.375" 8324.xxx	—	1.5" 8325.xxx	—	1.625" 8326.xxx	—
H - .435"	1.125" 8322.xxx	—	1.375" 8324.xxx	—	1.5" 8325.xxx	—	1.625" 8326.xxx	—	1.75" 8327.xxx	—
H1 - .53"	1.125" 8322.xxx	—	1.5" 8325.xxx	—	1.625" 8326.xxx	—	1.75" 8327.xxx	—	1.75" 8327.xxx	—
I - .56"	1.125" 8322.xxx	—	1.5" 8325.xxx	—	1.625" 8326.xxx	—	1.75" 8327.xxx	—	1.75" 8327.xxx	—
J - .75"	1.5" 8325.xxx	—	1.625" 8326.xxx	—	1.75" 8327.xxx	—	2" 8328.xxx	.125" 8440.xxx.3	2" 8328.xxx	—

Item #	Description	031, 033, 040, 050, 060, 102, 112, 150, 151, 190, 260, 264	003, 055, 056
8321.xxx	1" Mortise Cyl.		
8322.xxx	1.125" Mortise Cyl.		
8323.xxx	1.25" Mortise Cyl.	\$50	\$55
8324.xxx	1.375" Mortise Cyl.		
8325.xxx	1.5" Mortise Cyl.		
8326.xxx	1.625" Mortise Cyl.		
8327.xxx	1.75" Mortise Cyl.		
8328.xxx	2" Mortise Cyl.	\$110	115
8329.xxx	2.25" Mortise Cyl.		
8330.xxx	2.5" Mortise Cyl.		

NOTE: When ordering cylinders for G-SERIES MORTISE LOCKS, use this chart, but add a suffix 'EMHT' to the end of the Item #. (same price as standard C keyway cylinders)

EXAMPLE:

Lifetime Polished Brass 1.25" cylinder for G-series mortise  
8323.003.EMHT

8321-8330



Double Cylinder - C Keyway

Door Thickness	1.375"		1.75"		2"		2.25"		2.5"	
	Cylinder Length	Blocking Ring	Cylinder Length	Blocking Ring	Cylinder Length	Blocking Ring	Cylinder Length	Blocking Ring	Cylinder Length	Blocking Ring
A - .0625"	1" 8321.xxx.DBL	.2812"+ 8440.xxx.7	1" 8321.xxx.DBL	.0937"+ 8440.xxx.2	1" 8321.xxx.DBL	—	1.125" 8322.xxx.DBL	—	1.25" 8323.xxx.DBL	—
B - .0937"	1" 8321.xxx.DBL	.25"+ 8440.xxx.6	1" 8321.xxx.DBL	.125" 8440.xxx.3	1" 8321.xxx.DBL	—	1.125" 8322.xxx.DBL	—	1.25" 8323.xxx.DBL	—
C - .125"	1" 8321.xxx.DBL	.25"+ 8440.xxx.6	1" 8321.xxx.DBL	.0625" 8440.xxx.1	1.125" 8322.xxx.DBL	.0625" 8440.xxx.1	1.25" 8323.xxx.DBL	.0625" 8440.xxx.1	1.375" 8324.xxx.DBL	.0625" 8440.xxx.1
D - .1875"	1" 8321.xxx.DBL	.1562"+ 8440.xxx.4	1.125" 8322.xxx.DBL	.0937"+ 8440.xxx.2	1.125" 8322.xxx.DBL	—	1.25" 8323.xxx.DBL	—	1.375" 8324.xxx.DBL	—
E - .25"	1" 8321.xxx.DBL	.0937"+ 8440.xxx.2	1.125" 8322.xxx.DBL	.0625" 8440.xxx.1	1.25" 8323.xxx.DBL	.0625" 8440.xxx.1	1.375" 8324.xxx.DBL	.0625" 8440.xxx.1	1.5" 8325.xxx.DBL	.0625" 8440.xxx.1
F - .3125"	1" 8321.xxx.DBL	.0625" 8440.xxx.1	1.25" 8323.xxx.DBL	.0937"+ 8440.xxx.2	1.25" 8323.xxx.DBL	—	1.375" 8324.xxx.DBL	—	1.5" 8325.xxx.DBL	—
G - .375"	1" 8321.xxx.DBL	—	1.25" 8323.xxx.DBL	.0625" 8440.xxx.1	1.375" 8324.xxx.DBL	.0625" 8440.xxx.1	1.5" 8325.xxx.DBL	.0625" 8440.xxx.1	1.625" 8326.xxx.DBL	.0625" 8440.xxx.1
H - .435"	1" 8321.xxx.DBL	—	1.25" 8323.xxx.DBL	—	1.375" 8324.xxx.DBL	—	1.5" 8325.xxx.DBL	—	1.625" 8326.xxx.DBL	—
I - .5625"	1.125" 8322.xxx.DBL	—	1.375" 8324.xxx.DBL	—	1.5" 8325.xxx.DBL	—	1.625" 8326.xxx.DBL	—	1.75" 8327.xxx.DBL	—
J - .75"	1.5" 8325.xxx.DBL	.0937"+ 8440.xxx.2	1.625" 8326.xxx.DBL	.0625" 8440.xxx.1	1.75" 8327.xxx.DBL	.0625" 8440.xxx.1	2" 8328.xxx.DBL	.1562"+ 8440.xxx.4	2" 8328.xxx.DBL	.0625" 8440.xxx.1
F - .3125" Exterior	1" 8321.xxx	—	1.125" 8322.xxx	—	1.25" 8323.xxx	—	1.375" 8324.xxx	—	1.5" 8325.xxx	—
K - .875" Exterior	1.5" 8325.xxx	—	1.75" 8327.xxx	—	2" 8328.xxx	.125" 8440.xxx.3	2" 8328.xxx	—	2.25" 8329.xxx	.125" 440.xxx.3

+ Two Blocking Rings Required

Item #	Description	031, 033, 040, 050, 060, 102, 112, 150, 151, 152, 190, 260, 264	003, 055, 056
8321.xxx.DBL	1" Double Cyl.		
8322.xxx.DBL	1.125" Double Cyl.		
8323.xxx.DBL	1.25" Double Cyl.	\$100	\$110
8324.xxx.DBL	1.375" Double Cyl.		
8325.xxx.DBL	1.5" Double Cyl.		
8326.xxx.DBL	1.625" Mortise Cyl.		
8327.xxx.DBL	1.75" Mortise Cyl.		
8328.xxx.DBL	2" Mortise Cyl.	220	230
8329.xxx.DBL	2.25" Mortise Cyl.		
8330.xxx.DBL	2.5" Mortise Cyl.		

Blocking Rings

Item #	Description	031, 033, 040, 050, 060, 102, 112, 150, 151, 152, 190, 260, 264	003, 055, 056
8440.xxx.001	.0625" - 1/16" B.R.		
8440.xxx.002	.0937" - 3/32" B.R.		
8440.xxx.003	.125" - 1/8" B.R.		
8440.xxx.004	.1562" - 5/32" B.R.	\$15	\$20
8440.xxx.005	.1875" - 3/16" B.R.		
8440.xxx.006	.25" - 1/4" B.R.		
8440.xxx.007	.2812" - 9/32" B.R.		

8440



\*Cylinders NOT available in Distressed finishes, non-distressed equivalents: 402=102, 412=112, 452=152

**STEP 1**

**PICK YOUR HANDLESET TRIM, W/ KNOB OR LEVER: (SEE PAGE 91 – 131)**

**STEP 2**

**PICK YOUR MORTISE BOX**

	Suffix*	Minus Strike*
Right hand	.R	.RDT
Left hand	.L	.LDT
Right hand Reverse bevel	.RR	.RRDT
Left hand Reverse bevel	.LR	.LRDT
Right hand Lever Strength	.RLS	.RLSDT
Left hand Lever Strength	.LLS	.LLSDT
Right hand Reverse bevel Lever Strength	.RRLS	.RRLSDT
Left hand Reverse bevel Lever Strength	.LRLS	.LRLSDT
Right hand Reverse bevel Lever Strength with 1" Front	.RRB1	—
Left hand Reverse bevel Lever Strength with 1" Front	.LRB1	—

Entrance Function Mortise Locks	031, 033, 034, 040, 050 060, 102, 112 150, 151, 152 190, 260, 264	003 055 056
Lock with strike	\$345	\$365
Lock without strike	315	330

Backset	Door Thickness	Function	Mortise Box	HANDLESET X KNOB		HANDLESET X LEVER		KNOB X KNOB	LEVER X LEVER
				Handing	Part Number	Handing	Part Number	Part Number	Part Number
2.75"	1.75" and up	Residential Entrance	6020	R	6020.xxx.R	RLS	6020.xxx.RLS	6001.xxx.R	6001.xxx.RLS
				L	6020.xxx.L	LLS	6020.xxx.LLS	6001.xxx.L	6001.xxx.LLS
				RR	6020.xxx.RR	RRLS	6020.xxx.RRLS	6001.xxx.RR	6001.xxx.RRLS
				LR	6020.xxx.LR	LRLS	6020.xxx.LRLS	6001.xxx.LR	6001.xxx.LRLS
2.75"	1.75" and up	Residential Entrance Emergency Egress	6021	R	6021.xxx.R	RLS	6021.xxx.RLS	6075.xxx.R	6075.xxx.RLS
				L	6021.xxx.L	LLS	6021.xxx.LLS	6075.xxx.L	6075.xxx.LLS
				RR	6021.xxx.RR	RRLS	6021.xxx.RRLS	6075.xxx.RR	6075.xxx.RRLS
				LR	6021.xxx.LR	LRLS	6021.xxx.LRLS	6075.xxx.LR	6075.xxx.LRLS
2.75"	1.75" and up	Entrance Back-to-Back	6025	-	-	-	-	-	
2.5"	1.375/1.75 and up	Residential Entrance	6320	R	6320.xxx.R	RLS	6320.xxx.RLS	6301.xxx.R	6301.xxx.RLS
				L	6320.xxx.L	LLS	6320.xxx.LLS	6301.xxx.L	6301.xxx.LLS
				RR	6320.xxx.RR	RRLS	6320.xxx.RRLS	6301.xxx.RR	6301.xxx.RRLS
				LR	6320.xxx.LR	LRLS	6320.xxx.LRLS	6301.xxx.LR	6301.xxx.LRLS
2.5"	1.375/1.75 and up	Residential Entrance Emergency Egress	6321	R	6321.xxx.R	RLS	6321.xxx.RLS	6375.xxx.R	6375.xxx.RLS
				L	6321.xxx.L	LLS	6321.xxx.LLS	6375.xxx.L	6375.xxx.LLS
				RR	6321.xxx.RR	RRLS	6321.xxx.RRLS	6375.xxx.RR	6375.xxx.RRLS
				LR	6321.xxx.LR	LRLS	6321.xxx.LRLS	6375.xxx.LR	6375.xxx.LRLS
2.5"	1.375/1.75 and up	Entrance Back-to-Back	6325	-	-	-	-	-	

**STEP 3**

**PICK YOUR CYLINDER (SEE INSIDE FLAP FOR CYLINDER TABLE)**

**IF YOUR DOOR IS NOT 1.75" THICK, ALSO REQUIRED:**

**STEP 4**

**SPINDLE (SEE INSIDE FLAP FOR CHART)**

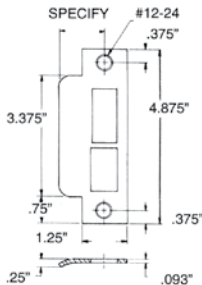
**STEP 5**

**THICK DOOR KIT (DOORS OVER 1.75" AND UP TO 2.25" THICK, SEE PAGE 132)**

**STEP 6**

**EXTENDED LIP STRIKE**

**6037, 6038, 6039  
6338, 6339**



Item #	Function	031, 033, 034, 040, 050 060, 102, 112 150, 151, 152 190, 260, 264	003 055 056
6037.xxx.XXXX	2.75" backset latch, deadbolt, aux latch		
6038.xxx.XXXX	2.75" backset latch only		
6039.xxx.XXXX	2.75" backset latch, deadbolt	\$65	\$70
6338.xxx.XXXX	1.5," 2," 2.5" backset latch only		
6339.xxx.XXXX	1.5," 2," 2.5" backset latch, deadbolt		

.XXXX indicates Extended Lip to Center size = .R158, .L158, .R178, .L178, .R214, .L214, .R300, .L300

**6037, 6038, 6039, 6338, 6339.xxx – EXTENDED LIP STRIKES (HANDED)**

- > Use with locks installed on special door/frame conditions
- > Supplied with a curved lip only
- > ALWAYS SPECIFY HAND OF DOOR AND REQUIRED LENGTH
- > Note: Reverse bevel doors use opposite hand for strike selection (ie. Right hand reverse bevel use left hand strike.)
- > Lip to Center lengths:
  - .R158 or .L158 – 1.625" (41mm)
  - .R178 or .L178 – 1.875" (48mm)
  - .R214 or .L214 – 2.25" (57mm)
  - .R300 or .L300 – 3" (76mm)

**Lip to Center length determined by the following formula:**

Door thickness ÷ 2 + .375" (10mm) = Lip to Center length  
Round to closest size



# BALDWIN®

---

19701 DA VINCI · LAKE FOREST · CALIFORNIA 92610

800.437.7448

BALDWINHARDWARE.COM