



OPEN UP NEW HORIZONS

SENSORS FOR AUTOMATIC DOORS

PRODUCT CATALOG



www.beasensors.com



You have a reputation to uphold.

That is why BEA has set the highest standards for safety, innovation, and quality on every product that arrives at the doorstep of your business.

We care about the success of your business and we care about your success with our business. You are more than just a customer to us.

That is why we provide Technical Support 24 hours a day, 7 days a week and dedicated Customer Service to assist with all of your product needs. We provide these services so that you may return to your customers promptly and accurately.

We offer same day shipping from either our east coast or west coast locations. We guarantee a 2-week turnaround time for replacement on warranties. We provide these services so that you can have the products you need, when you need them.

Our products come with a warranty so you will have as much confidence in our products as we do.

We offer industry expertise. Our technical and sales staff are AAADM-certified and BEA product experts. When you have questions, concerns or need training on automatic door sensors, we have a solution.

Finally, we have an obsession with exceeding your expectations. When you have an idea for a new product or a suggestion to enhance a current product, we are anxious to work with you. When you have a concern, we want to put your mind at ease. Anything we can do to help with your success, we want to hear from you.

BEA Inc.
100 Enterprise Drive - RIDC Park West
Pittsburgh, PA 15275

Phone 1-412-249-4100
FAX 1-888-523-2462
Toll Free 1-800-5 BEA INC

BEA West
2401 Pine Street
Los Angeles CA 91767

Phone 1-909-596-3011
FAX 1-909-596-5411
Toll Free 1-877-BEA WEST

**BEA Latin America
Mexico/Carribbean**
2401 Pine Street
Los Angeles CA 91767

FAX 1-909-596-5411
Toll Free 1-800-711-1398

TABLE OF CONTENTS

WELCOME

PG 3

HOW TO USE THIS GUIDE

PG 4

TECHNOLOGY

-Infrared Technology
-Doppler Radar, K-Band Microwave

-Distance Measuring
-Motion Tracking Feature

PG 5

SLIDING DOORS

-Wizard -Iris
-Eagle -SBK-30

PG 6

SWINGING DOORS

-Bodyguard -LO Linx -Eagle
-SuperScan -SBK-30 -QuadScan

PG 8

BI-FOLDING

-Bodyguard -SBK-30 -LO Linx
-Focus -Eagle

PG 12

SWINGING DOOR (LOW ENERGY)

-SuperScan I -Eagle -MS08
-MC Linx -Bodyguard

PG 14

LOW ENERGY & HARDWARE

-Push Plates -Push Plate Boxes -Transmitters & Receivers
-Panther Series -Maglocks

PG 16

REVOLVING DOORS

-Focus -Fly
-Eagle -QuadScan

PG 18

SECURITY REVOLVING DOORS

-The BlackHawk

PG 19

INDUSTRIAL DOORS

-Falcon -SuperScan -Eagle HM
-Iris I -Flex IR -Matrix

PG 20

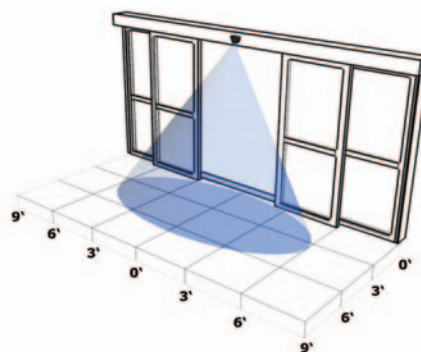
HOW TO USE THIS GUIDE

THE PRODUCT NAME



Brief description of product

- Features/Benefits



Area of sensor's detection

Recommended door applications for each sensor



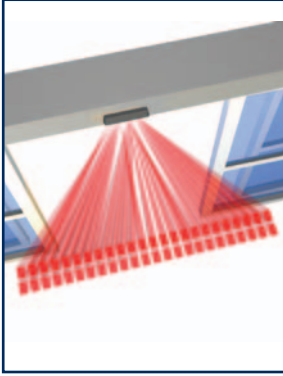
V4SD Logo signifies a BEA recommended sensor for retrofit

SENSOR FUNCTION

ACCESSORIES

- Related accessories to the products in the section.

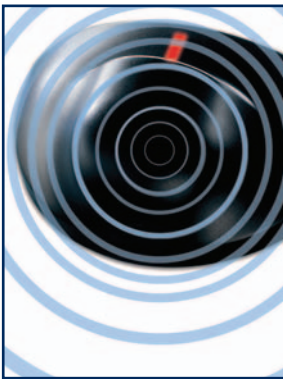
INFRARED TECHNOLOGY



Infrared detectors operate on an emitter, made up of several LEDs, that emit light, into the detection zone. A receiver made up of several photodiodes "catch" the light reflected by the surroundings or by the target to be detected. Then, a comparison between the amplitude (amount of infrared energy) of the signal received and a threshold related to the background triggers the detection.

The sending and receiving of infrared signals form a 'curtain' of protection that saturates the entire detection area. The infrared, like that of a flashlight beam, emits precise beams that check each other for reliability, providing a very accurate and adaptive pattern of coverage.

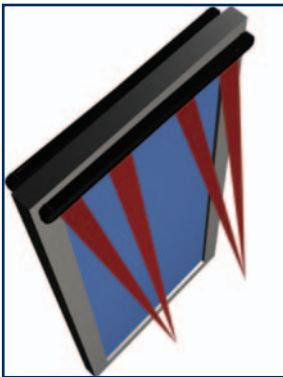
DOPPLER RADAR, K-BAND MICROWAVE TECHNOLOGY



Movement is detected through a shift of microwaves. If a signal is sent back to the sensor the same way as sent out (no change in frequency), the sensor will not detect. When radar detects a moving object, a signal is sent back different from the signal sent (a change in frequency), the sensor will then detect. Microwave motion detection is based upon the Doppler Effect Principle. Doppler Radar detects motion only and is the most effective technology for the activation of an automatic door.

The use of K-Band avoids interference from cell phones, radar detectors, CB radios, etc. K-Band technology will detect motion as slow as 2.2 inches per second, where X-band detects at 6 inches per second. Last, K-band provides a more defined pattern that offers more stability and control in its detection functions and is unchanging with ambient conditions, including temperature changes.

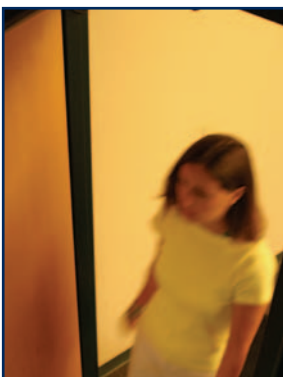
DISTANCE MEASURING



Distance measuring utilizes the principle of triangulation. A focused active infrared (AIR) beam is sent to the target and is reflected back to the sensor with a tilt angle depending on its depth. Within the receiver, a special optical component is able to determine the angle of the reflected rays.

Once the angle is set through the depth adjustment, it will not detect anything beyond that adjustment. As a result, this type of AIR technology will be insensitive to variations in ground color, making it an exceptional sensor for mounting on moving doors.

MOTION TRACKING FEATURE

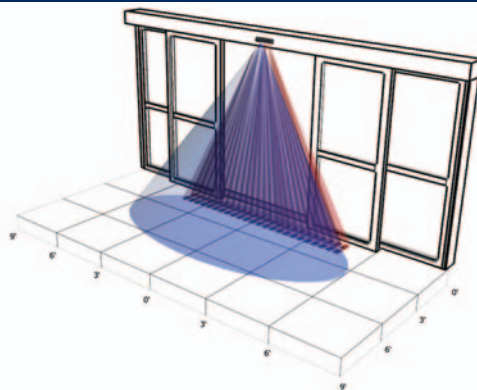


Uni-directional motion detector permits an automatic door to close much sooner after a person has walked through it, thus reducing heating and cooling costs. Motion Tracking Feature (Uni-MTF) is uni-directional mode with a motion-tracking feature, offering the best of both worlds. Motion towards the door is tracked inside of the field of detection. When object is outside of the field of detection, the sensor is automatically converted to uni-directional mode. This feature combines optimal energy conservation with safety in a single sensor.

SLIDING DOORS

Led by the proven reliability of the Wizard system, BEA, Inc.'s safety and activation solutions for the sliding door are engineered with the highest quality and safety standards available. Applying the most efficient technology for safety and for activation, BEA, Inc.'s sliding door sensors ensure a safe entrance.

THE WIZARD



Applications

Sliding doors

Motion and presence detection in a single sensor unit.

■ Utilizing the most reliable and consistent technologies for both motion and presence detection:

- > K-Band Doppler Microwave: Quick, consistent activation that is not sensitive to color or X-band microwave interferences, creating less door damage and increasing convenience.
- > Active Infrared: 2 rows of 24 beams of infrared providing a solid curtain of protection to the floor, through the threshold, and never shutting off.

■ Energy efficiency by:

- > Reducing unwanted door hold-open time with the Motion Tracking Feature:
Sensor is in uni-directional mode until motion towards the door is detected, then it automatically switches to bi-directional mode.
- > Saving energy with Dynamic Mode, in which the second IR curtain farthest from the door is enabled only after motion has been detected.
- > Eliminating unnecessary nuisance detections caused by heavy rain or drifting snow with the enhanced Rain and Snow Modes.
- > Set-up and adjustments can be quickly programmed with BEA's universal remote control.



**ACTIVATION
& SAFETY**

PACKAGES



Wizard System

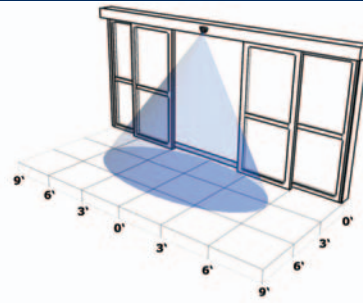
(2) Wizards providing safety and activation to comply with ANSI 156.10 2005

ACCESSORIES

- Universal Rain Cover for Wizard and Iris (URC), Eagle Rain Accessory, Eagle Mounting Bracket, Eagle Ceiling Adapter, Remote Control, Surface Mount Kit, Transformer



THE EAGLE



Applications

Sliding
Swinging
Bi-folding
Revolving

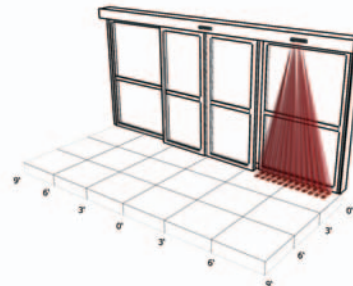
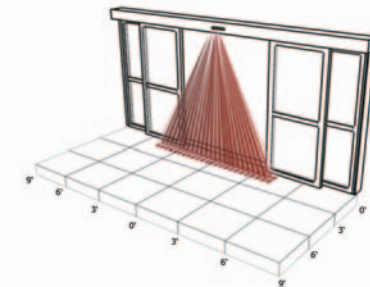
Quick, reliable and consistent activation detector utilizing K-Band microwave technology.

- The Eagle offers three motion detection feature options:
Bi-directional, Uni-directional, and Uni-MTF (Motion Tracking Feature)



ACTIVATION

THE IRIS



Applications

Sliding
Industrial doors

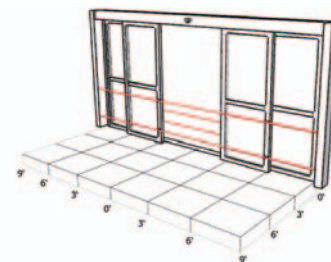
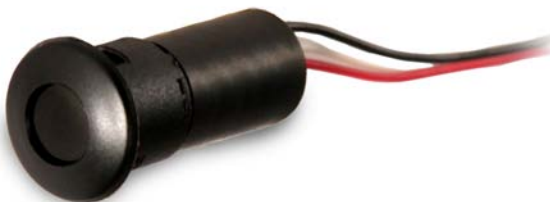
Overhead presence detector utilizing focused active infrared technology.

- Threshold or sidelite safety protection on sliding doors throughout the door opening and door closing cycles.



SAFETY

THE SBK-30



Applications

Sliding
Swinging
Bi-folding

Photoelectric beams utilizing focused active infrared technology.

- Self-contained unit plugs into the door controller (when used with interface module), providing up to a 30-foot range of threshold safety.

***Jamb Cap Accessory**
Easy surface mounting.



*Accessory included with SBK 30 Kit

SAFETY

SWINGING DOORS

BEA, Inc.'s comprehensive line of safety and activation sensors for the swinging door provides superior technology for each function while complying with ANSI 156.10 standards. Our multiple packages remove any confusion of the 2005 standards and assure the safety standards will be met or exceeded.

PACKAGES



* Parallax I Lite Linx shown

Single Swing

Commander 2006 (Good)

Activation, overhead presence and a photo beam for meeting the ANSI Standard.

Parallax I Lite Linx (Better)

Activation, overhead presence and door-mounted presence on swing side for ANSI compliance.

Parallax I Linx (Best)

Activation, overhead presence and door-mounted presence on both swing and approach sides for exceeding ANSI.



* Parallax II Lite Linx shown

Double Swing

Commander 2006 (Good)

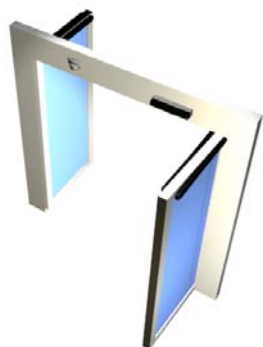
Activation, overhead presence and a photo beam for meeting the ANSI Standard.

Parallax II Lite Linx (Better)

Activation, overhead presence and door-mounted presence on swing side of each door for ANSI compliance.

Parallax II Linx (Best)

Activation, overhead presence, and door-mounted presence on both swing and approach sides for exceeding ANSI.



* Parallax II DE Linx shown

Double Egress*

Commander DE 2006 (Good)

Activation with overhead presence, on both sides of the door for meeting the ANSI Standard.

Parallax II DE Lite Linx (Better)

Activation, overhead presence, and door-mounted presence on swing side for ANSI compliance.

Parallax II DE Linx (Best)

Activation, overhead presence and door-mounted safety on both swing and approach sides for exceeding ANSI.

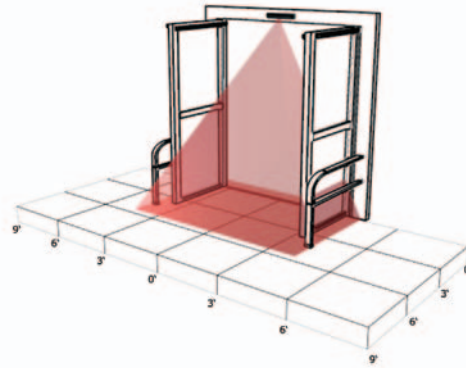
* Knowing Act applications require push plates, refer to the BEA push plate packages.

ACCESSORIES

- Bodymount (required when using SuperScan), ERA (Eagle Rain Accessory), ECA (Eagle Ceiling Adapter), EMB (Eagle Mounting Bracket), BEA Remote Control, Transformer, Universal Rain Cover for BodyGuard.



THE BODYGUARD



Applications

Swinging
Bi-folding
Low energy

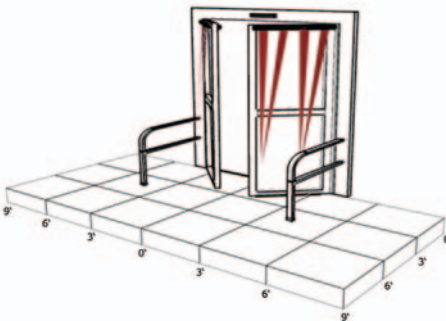
Overhead safety sensor utilizing active diffused infrared technology.

- Provides protection through the threshold to the guide rails.
- Detects presence while the door is fully open or fully closed.
- Two different sensitivity and detection pattern settings for when the door is closed and when the door is open.



SAFETY

THE SUPERSCAN



Applications

Swinging
Bi-folding
Low energy
Revolving
Industrial

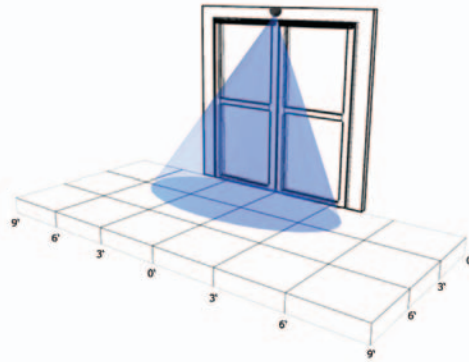
Door-mounted safety sensor utilizing active focused infrared technology.

- Provides protection when a swing door is in motion either on the swing side, approach side, or both sides of the door.
- Mounted on top of the door, out of harm's way of potential damage from carts and hospital beds while being insensitive to different background colors.
- Utilizes distance-measuring technology. The emitter and receiver coordinate to form a detection triangle so there is always protection.
- Sensor length can be customized to suit the length of the door, achieving adequate coverage through an extra sensor module in the same housing.



SAFETY

THE EAGLE



Applications

Sliding
Swinging
Bi-folding
Revolving

Quick, reliable and consistent activation detector utilizing K-Band microwave technology.

- The Eagle offers three motion detection feature options: Bi-directional, Uni-directional, and Uni-MTF.
- Extra immunity settings for precise activation zones in tight applications, vestibules and areas where there are doors very close.



ACTIVATION

THE LO LINX



Applications

Swing doors
Bi-Folding

Universal lockout relay used in conjunction with safety sensors to allow for optimal door operation.

- Motor polarity is learned through the first door cycle and will make necessary interpretations without human intervention.
- Dual 7-Segment LED display illustrates programming functions and values and facilitates in troubleshooting.
- All sensors plug directly into the LO Linx through quick disconnects for convenient set-up.



SAFETY

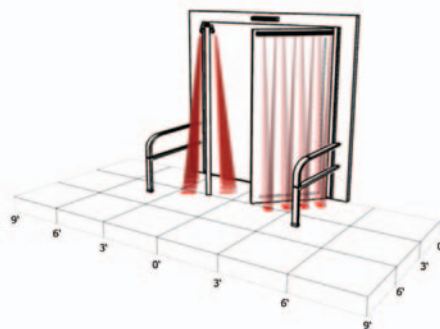
ACCESSORIES

- Please see page 8

THE QUADSCAN



COMING SOON



Applications

Swing doors
Bi-Folding
Revolving

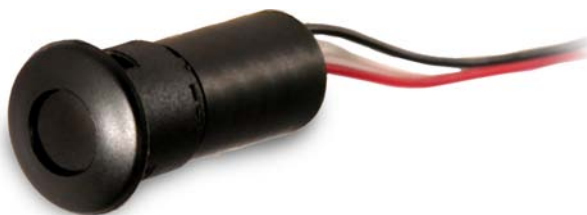
Door-mounted safety providing four spots of infrared detection while the door is in motion.

- Provides protection when a swing door is in motion either on the swing side, approach, or both sides of the door.
- Easy set-up through push buttons. Allows for automatic detection range adjustment within the ANSI 156.10 requirements.
- Utilizes distance-measuring technology. The emitter and receiver coordinate to form a detection triangle so there is always protection.

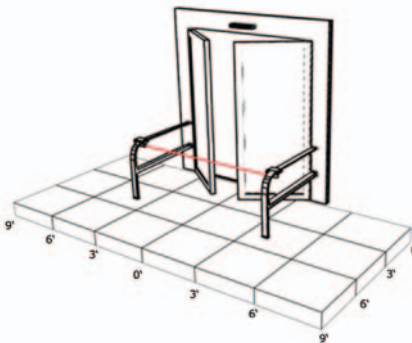


SAFETY

THE SBK-30



***Rail Mount Accessory**
Used on 1.75" x .5"
barstock guide rails.



Applications

Sliding
Swinging
Bi-folding

Photoelectric beams utilizing active infrared technology providing protection at the end of the guide rail.

- Reinstates safety during the closing cycle of the swing door.
- Self-contained unit plugs directly into the LOLinx or door controller (when used with interface module), providing up to a 30-foot range of additional safety.

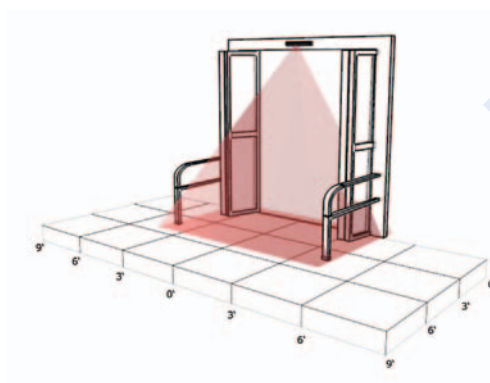
*Accessory included with SBK 30 Kit

SAFETY

BI-FOLDING DOORS

The BEA, Inc. Bi-fold sensing system solutions combine the energy-conserving convenience of the Eagle with the reliable safety of the Bodyguard and Focus to create an efficient solution for any bi-fold door.

THE BODYGUARD



Applications

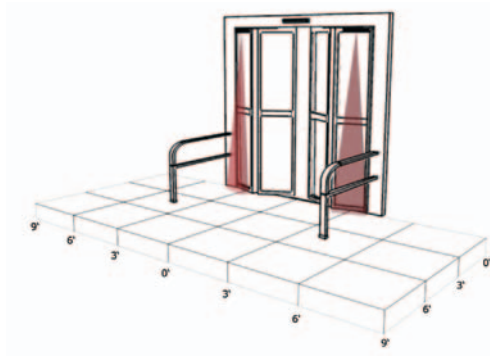
- Swinging
- Bi-folding
- Low Energy

Header-mounted presence sensor utilizing diffused infrared technology.

- Installed on the fold side of the door, the Bodyguard recognizes the door open position, where it provides threshold protection.



THE FOCUS



Applications

- Bi-folding
- Revolving
- Drive-Thru Windows

Presence sensor utilizing active infrared technology.

- Provides safety on the swing panel to stop or slow down the opening door and prevent people from getting trapped between the door and the guide rails.

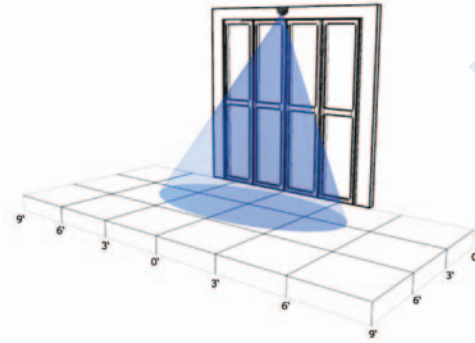
SAFETY

ACCESSORIES

- Eagle Rain Accessory, Remote Control, Transformer



THE EAGLE



Applications

Sliding
Swinging
Bi-folding
Revolving

Activation detector utilizing K-Band microwave technology, detecting motion as slow as 2 inches/sec., ideal for slow-moving individuals.

- The Eagle offers three motion detection feature options: Bi-directional, Uni-directional, and Uni-MTF.
- Used on each side of the door for two-way traffic scenarios.



THE LO LINX



Applications

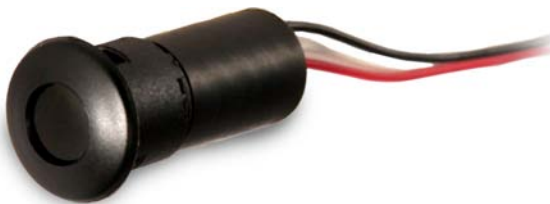
Swinging
Bi-Folding

Universal lockout relay used in conjunction with safety sensors to allow for optimal and efficient door operation.

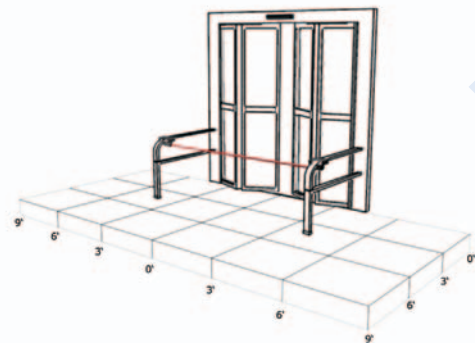
- Motor polarity is used to determine door state and is learned through the first door cycle and will make necessary interpretations without human intervention.
- Dual 7-Segment LED display illustrates programming functions and values and facilitates in troubleshooting.



THE SBK-30



***Rail Mount Accessory**
Used on 1.75" x .5"
barstock guide rails.



Applications

Swinging
Sliding
Bi-Folding

Photoelectric beams utilizing active infrared technology providing protection at the end of the guide rail.

- Self-contained unit plugs directly into the LO Linx or door controller (when used with interface module), providing up to a 30-foot range of protection.

*Accessory included with SBK 30 Kit

SAFETY

SWINGING DOOR (LOW ENERGY)

BEA, Inc. applies strict ANSI and ADA standards to our low energy products. Our complete line of push plates, including the touch less MS08 sensor, provides easy activation. For broader activation, the Eagle can detect motion as slow as 2.2 inches per second. Finally, presence sensors provide abundant protection for all cycles of the door.

PACKAGES

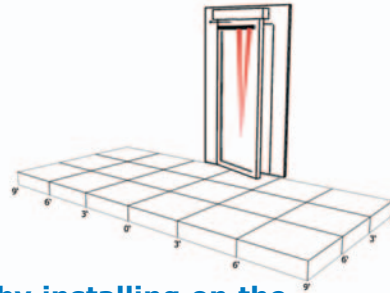


LE Package 2006 (1 SuperScanI, 1 MCLinx, 1 Door Position Switch)

Prince II (2 push plates, 1 SuperScanI, 1 LE21, 1 Door Position Switch)

Push Plate Packages: A multitude of push plate packages are available that include various options for transmitter/receiver frequencies and push plate styles.

THE SUPERSCAN I



Applications

Sliding
Swinging
Bi-folding
Revolving
Industrial

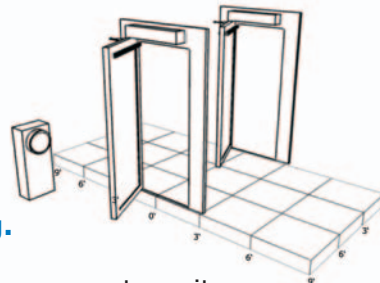
Provides safety and energy saving benefits by installing on the approach side to hold open or reactivate a door until a person is completely removed from the pattern.

- Mounted on top of the door, out of harms way, eliminating damage from carts or hospital beds.
- Utilizes distance-measuring technology. The emitter and receiver coordinate to form a detection triangle so there is always protection.



SAFETY

THE MC LINX



Multi-functional module for door sequencing.

- Multiple module functions condensed within two separate units.
- Functions include: Timer, Delay on break, Delay on make, Sequencer, Interlock, Latching relay.
- LED display provides a means of function identification and a means of diagnostics.



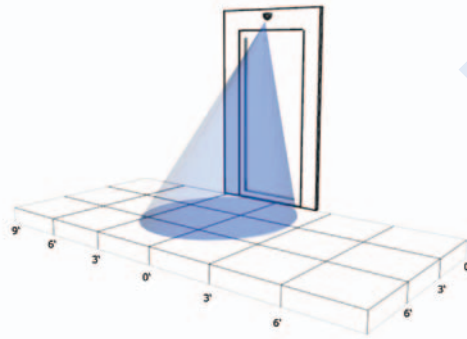
ACTIVATION

ACCESSORIES

- Eagle Rain Accessory, Remote Control, Transformer, Door position switch



THE EAGLE



Applications

Sliding
Swinging
Bi-folding
Revolving

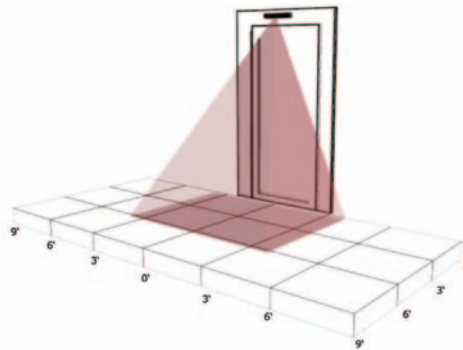
Activation detector utilizing K-Band microwave technology, detecting motion as slow as 2 inches/sec., ideal for slow-moving individuals.

- The Eagle offers three motion detection feature options: Bi-directional, Uni-directional, and Uni-MTF.



ACTIVATION

THE BODYGUARD



Applications

Swinging
Industrial doors
Folding

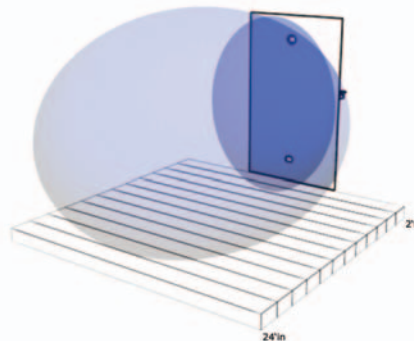
Header-mounted presence sensor utilizing infrared technology.

- Provides safety through the threshold of the door in the open position.
- Ability to set two different sensitivity and detection pattern settings for when door is open and when door is closed.



SAFETY

THE MS08



Applications

Sliding
Swinging
Bi-folding

Touchless activation sensor utilizing K-Band microwave technology.

- Variable hold open time from 1 to 10 seconds.
- Water-resistant foam gasket provides resistance to water and cleaning products used in wash downs or clean rooms.
- Adjustable range of 2" to 24".

ACTIVATION

LOW ENERGY & HARDWARE

BEA, Inc. applies strict ANSI and ADA standards to our low energy products. Our complete line of push plates, including the touch less MS08 plate provides easy activation. We also offer a comprehensive line of hardware associated with low energy doors.

PUSH PLATES



Exclusive BEA box designs, weatherproof boots and weather rings ensure push plate reliability in any environment.

- 4.5" Round, 4.5" Square, 6" Round, 4.75" Square, Jamb
- All plates are thick gage stainless steel and utilize powder-baked paint on the surface to resist scratching and scuffing.
- Optional radio controls and sequencers for vestibules and other special applications.

ACTIVATION

THE PANTHER™



The Panther™ push plate series is BEA's line of wireless, waterproof push plates that come fully assembled, including an RF433 transmitter.

- The plates are easily installed using a quick plate mounting kit or a standard two or four bolt gang box.
- The tamper-resistant plate can be directly installed to any flat surface such as a wall or mounting post.
- Aesthetically appealing with no holes in the face plate and overall minimal box depth.

ACTIVATION

THE BOLLARD



Used for mounting BEA push plates sizes 4 3/4" square and 4 1/2" round.

- Constructed with durable carbon steel.
- Can be mounted on either existing concrete or newly poured concrete.
- Available in silver, bronze, and black.

PUSH PLATE BOXES



BEA mounting boxes, constructed from thick, ABS plastic, are used to securely mount push plates and a variety of transmitters to activate a door.

- The push plate is recessed into the box, thus minimizing vandalism.
- The boxes are available in both surface or flush mount and single or double gang boxes.

TRANSMITTERS & RECEIVERS

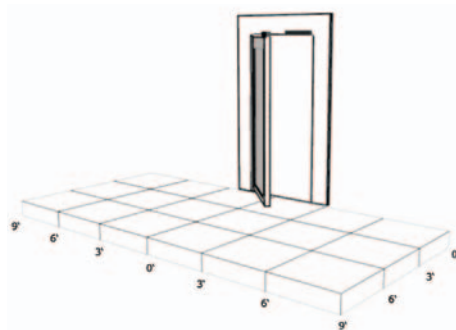


BEA transmitters and receivers are universally compatible with all automatic door "remote" applications.

- Transmitter's red indicator LED confirms activation and battery life.
- Available frequencies: 300 Mhz, 390 Mhz, and 433 Mhz.
- 433 Mhz operates with a unique rolling code each time the switch is activated.

ACTIVATION

MAGLOCKS



Available in single and dual armature.

- The maglocks are easy to install with no special tools required and a simplified mounting plate.
- The stainless steel plate is corrosion resistant.
- Intense holding force of 1100 lbs. or 600 lbs. can be applied to multiple door types including; wood, hollow metal, glass, or aluminum.

SAFETY

REVOLVING DOORS

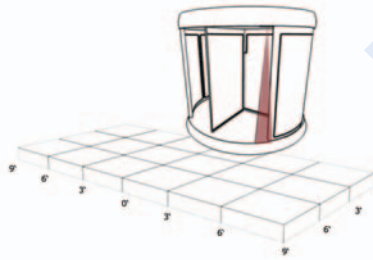
BEA's solutions for revolving door sensor systems are developed with the assurance of meeting ANSI 156.27 and always keeping safety at the forefront.

THE FOCUS



Presence sensor utilizing distance-measuring infrared technology

- Detection zone can be angled and adjusted in length by a potentiometer.
- Protection at the entry point of a revolving door.



Applications

Folding,
Revolving,
Drive-Thru

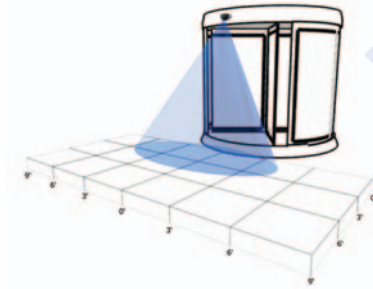
SAFETY

THE EAGLE



Header-mounted activation sensor utilizing K-band Microwave technology.

- Provides a very wide and deep activation field.
- Offers 3-motion detection feature options; bi-directional, uni-directional, uni-MTF directional.



Applications

Swinging
Revolving
Sliding

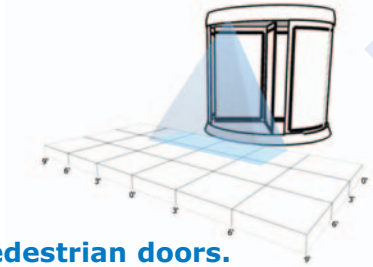
ACTIVATION

THE FLY



Passive infrared motion sensor for opening pedestrian doors.

- Small size makes it possible to conceal completely inside a door profile and detect with very high accuracy.



Applications

Revolving

ACTIVATION

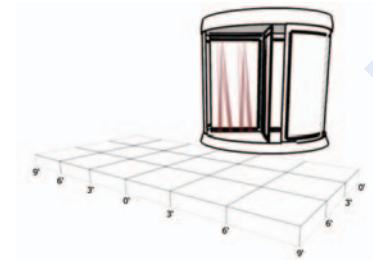
THE QUADSCAN



COMING SOON

Door-mounted presence sensor utilizing distance-measuring infrared technology.

- Mounted on the top of the revolving door leaves.
- Sensor on each door leaf slows down or stops the door from revolving upon detection.
- Four spots of infrared beams in a line.



Applications

Swinging,
Bi-Folding,
Revolving

SAFETY

SECURITY REVOLVING DOORS

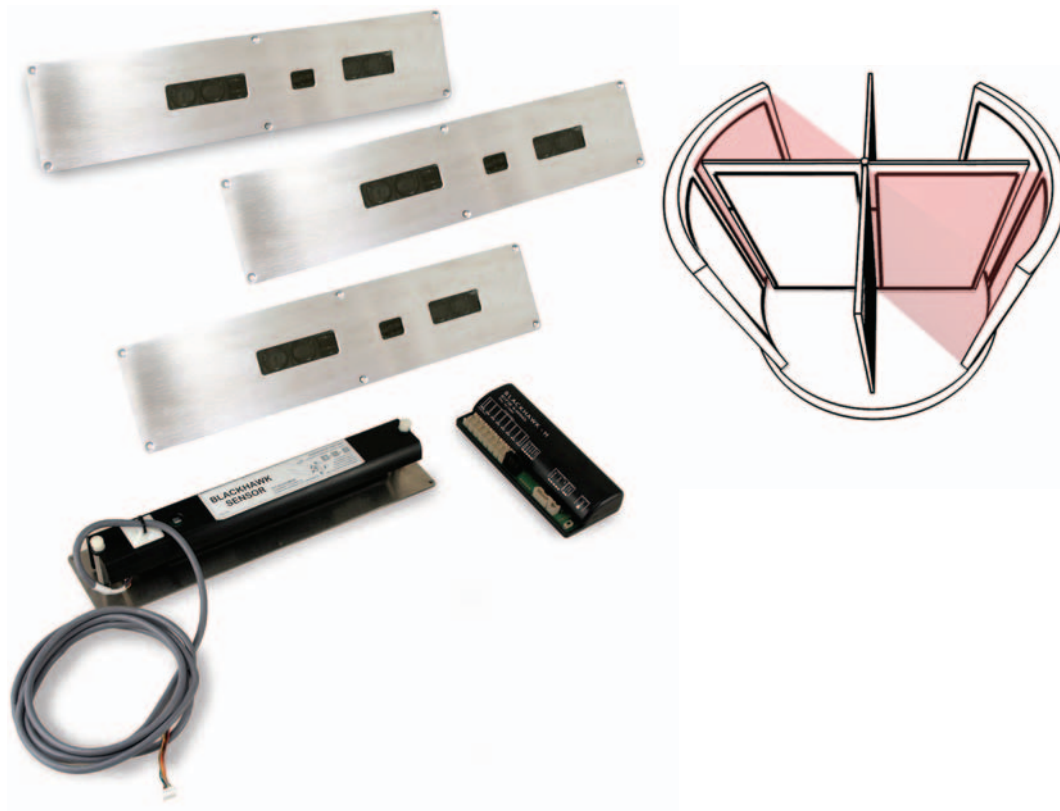
BEA, Inc.'s solution for access control detecting tailgating for a security revolving door. The entire system is installed in the ceiling of the door, eliminating the need for mats or other floor coverings and potential hazards.

THE BLACKHAWK™



BLACKHAWK™

Sensor Security System For Revolving Doors



Applications

Security revolving door; government buildings, restricted-access entrances, manufacturing facilities, airports

Incorporates security into a building entrance sensibly, seamlessly, and effectively.

- Detects "tailgating" by monitoring passage through the quadrant.
- Does not require contact with the floor for sensor detection, thus denying access to a potential intruder hanging from a door leaf.
- Entire sensor system recessed in the revolving door ceiling, allowing for elegant flooring to be displayed.
- System packages available for both new installation and retrofit applications, as well as accommodating 2-way or 1-way traffic.

SECURITY

ACCESSORIES

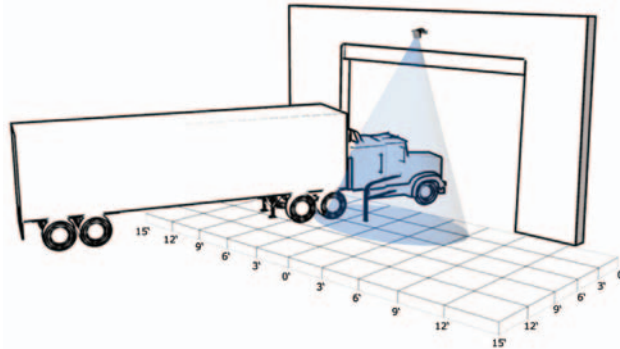
- Eagle Rain Accessory, Remote Control, BlackHawk™ Installation Kit, Transformer



INDUSTRIAL DOORS

BEA, Inc.'s industrial product line offers safety & activation solutions built to withstand tough, industrial environments. Whether for high-speed roll-up or cold storage doors, mounted above the door or at the threshold, BEA, Inc. sensors provide safety and activation where you need it most, when you need it most.

THE FALCON

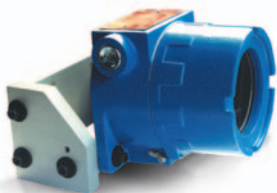


Applications

Roll-up, high speed door, cold storage door, industrial sliding door or warehouse doors.

Activation sensor utilizing microwave technology serving as an alternative to installing loop detectors.

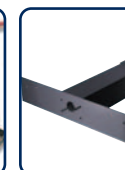
- Differentiates people and moving equipment for true parallel traffic discrimination for process efficiency.
- Drastically less labor vs. loops.
- Viable solution for extreme industrial environments with NEMA 4 rated housing that operate at -22 degrees to +140 degrees.
- Uni- and Bi- directional sensing with the ability to open a door when traffic is moving away from the sensor only, allowing for the sensor to be mounted away from the door, assisting with difficult installations.
- Three directional detections of; uni-directional approach, uni-directional depart, and bi-directional.
- Extension bracket available.
- Explosion-proof housing is available for the Falcon.



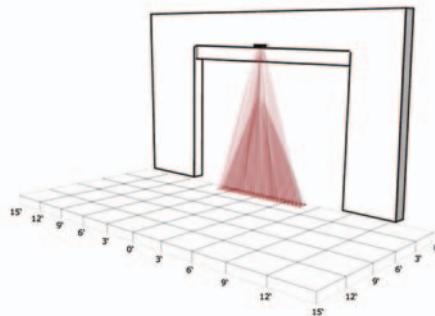
ACTIVATION

ACCESSORIES

- Remote Control, Weather head unit, Spotfinder, Transmitters & Receivers, Transformer, Extension Bracket



THE IRIS I



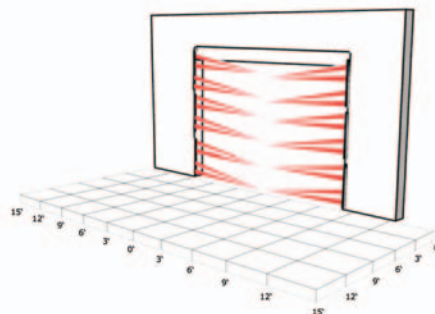
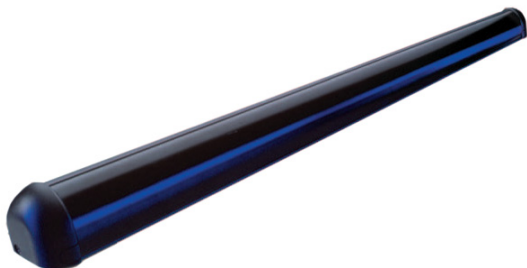
Applications
Small-sized
industrial doors
Sliding
Swinging

Header-mounted safety sensor utilizing active infrared technology.

- Provides safety throughout the door opening and door closing cycles through a precise curtain of safety for people or equipment stopped in the threshold.
- Ability to be mounted up to 14' with infinite learn time capability, providing safety right in front of small sized industrial doors.
- Includes 30' of cable.

SAFETY

THE SUPERSCAN



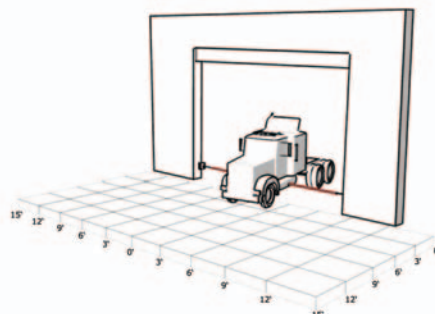
Applications
Industrial
Swinging
Revolving

Door-mounted safety sensor utilizing distance measuring technology.

- Provides added safety where crowded traffic near the door is a concern.

SAFETY

THE FLEX IR



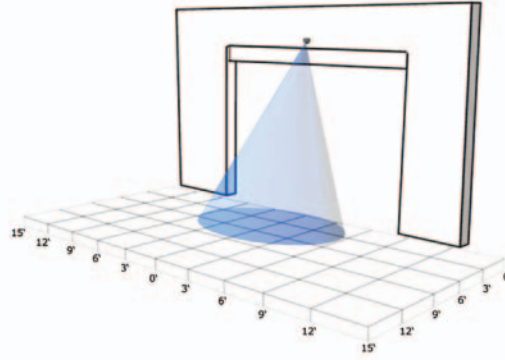
Applications
Industrial
environments,
residential
garage doors.

Flexible housing for the BEA microcell system manufactured with UV-resistant, flexible material.

- Prevents damage to infrared beams typically caused by a vehicle or heavy object by bending or flexing back into place after being hit.

SAFETY

THE EAGLE HM



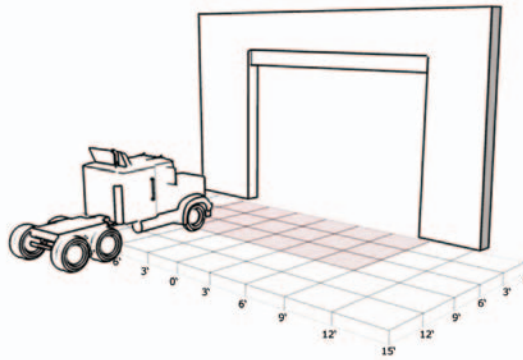
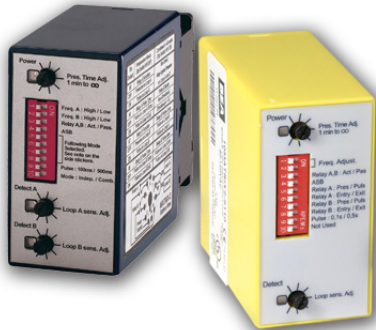
Applications
Industrial door or gate applications.

The BEA Eagle with ability to be mounted up to 17', perfect for large industrial doors.

- K-band microwave technology detects speeds as low as 2.2" per second.
- Set-up and adjustments can be done with a BEA remote control, eliminating the need for ladders and unnecessary downtime.

ACTIVATION

THE MATRIX



Applications
Parking lots and garages, toll collection, traffic counting, industrial door, traffic light triggering.

A digital inductive loop detector designed for use with traffic and industrial control systems.

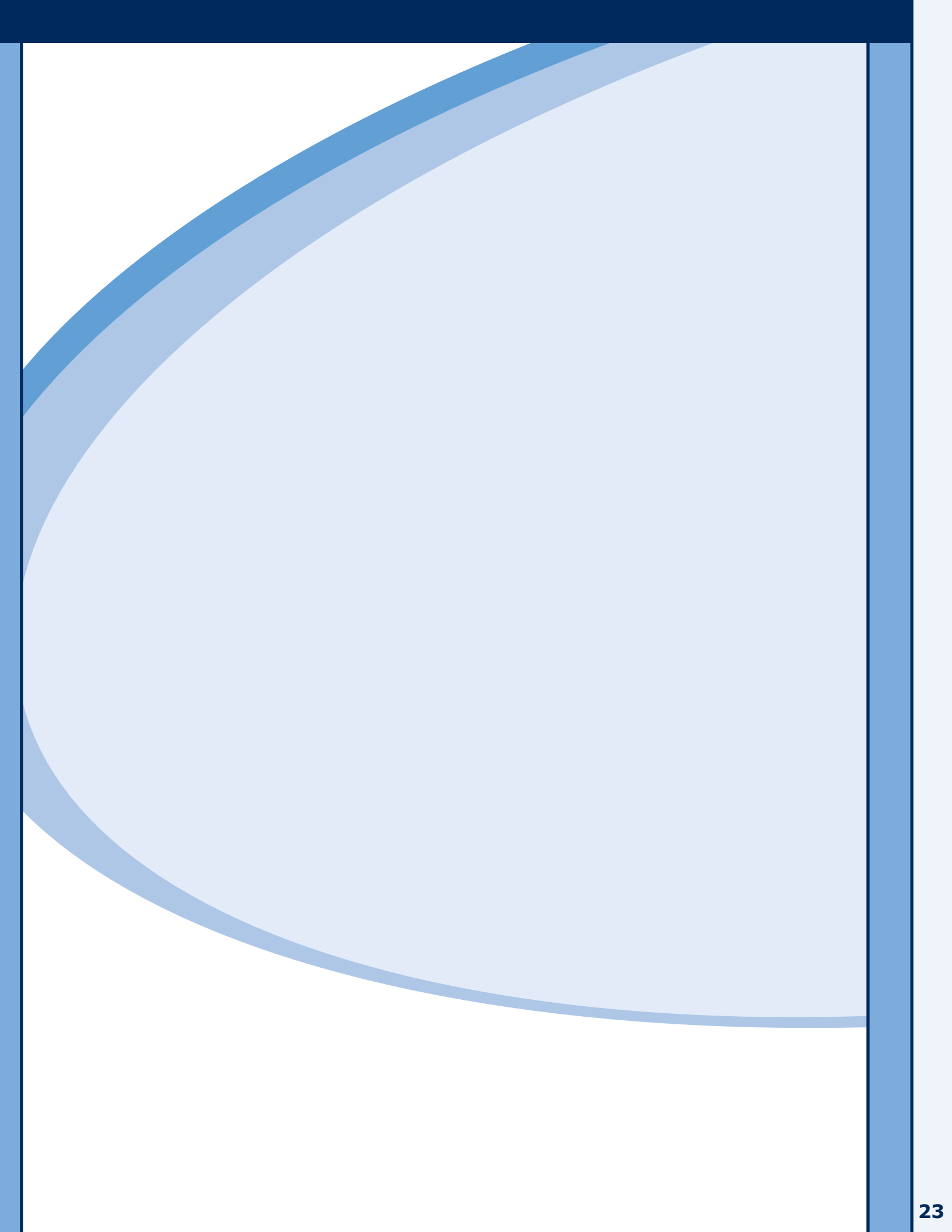
- Allows door automation for special applications where the use of motion sensors may be difficult.
- Red and green LEDs display loop parameters such as oscillation frequencies, error messages, and power indication.
- In dual-loop configurations, can be configured for directional or non-directional detection.
- Available in single or dual channel.

ACTIVATION

ACCESSORIES

- Matrix Harness Accessory







OPEN UP NEW HORIZONS



BEA Inc.
100 Enterprise Drive - RIDC Park West
Pittsburgh, PA 15275

Phone 1-412-249-4100
FAX 1-888-523-2462
Toll Free 1-800-5 BEA INC

BEA West
2401 Pine Street
Los Angeles CA 91767

Phone 1-909-596-3011
FAX 1-909-596-5411
Toll Free 1-877-BEA WEST

**BEA Latin America
Mexico/Caribbean**
2401 Pine Street
Los Angeles CA 91767

FAX 1-909-596-5411
Toll Free 1-800-711-1398