



WASHROOM ACCESSORIES



TABLE OF CONTENTS

Founded in 1961, American Specialties, Inc. (ASI) is the world's largest manufacturer of commercial and healthcare washroom accessories, modular space wall systems, public telephone enclosures, directory accommodations and security accessories.

ASI's team of quality-committed individuals operate out of seven North American facilities, and are supported by hundreds of representatives strategically located all around the world.

Architects, designers, building owners, facility managers and construction professionals have come to rely on ASI as a full-range supplier of high-quality products that are appropriately priced, easy to install, even easier to use, and exceptionally durable.

HOW TO USE THIS CATALOG

This catalog has been broken down into the twenty-one sections shown to the right of this column. The Profile, Simplicity and Traditional Collections are families of complementary-designed products that include dispensers of towels, toilet tissue, soaps and seat covers as well as corresponding waste receptacles and combination units.

After the collections are individual product-type (hand drier, grab bar, custodial, etc.) pages, which are then followed by industry-specific (healthcare, security) products.

Product indexes are provided at the end of the catalog, organized both by product category (paper towel dispenser) and numerically (product model number).

If you cannot find the exact item for which you are looking within this catalog, please contact us, as ASI develops and introduces new products on a regular basis.

In the unlikely event ASI does not already have the solution for your requirements, our application-specific custom-engineering capabilities are at your service.



This handicap accessible logo indicates that a product meets the A.D.A. Accessibility Guidelines that products for use by the handicapped may be so located that the operative portion (i.e. push knob, towel slot) be no higher than 48" above the finished floor (AFF), tops of grab bars be between 36" and 33" and phone coin slots be no higher than 48" maximum from the floor.

The ASI Collections.....	3
Profile Collection.....	4 – 7
Simplicity Collection	8 – 11
Traditional Collection.....	12 – 19
Soap Dispensers.....	20 – 23
Feminine Hygiene Vendors	24
Combination Units	25
Disposals and Dispensers	26
Toilet Tissue Dispensers	27 – 29
Mirrors	30 – 31
Hand Dryers	32 – 33
Bathroom Accessories.....	34 – 39
Grab Bars.....	40 – 41
Shower Seats	42
Shower Rods	43
Baby Changing Stations.....	44
Shelves	45
Custodial Accessories	46 – 47
Health Care Accessories.....	48 – 49
Security Accessories	50 – 53
Index of Products	54 – 55



The Profile Collection

While ASI offers hundreds of individual bathroom accessories, the specifying process has been greatly facilitated by the establishment of three distinct collections to serve your different needs.

PROFILE COLLECTION

This visually appealing collection with rounded edges is manufactured with highly durable 16 gauge stainless steel doors and 20 gauge cabinets. Concealed heavy-duty $\frac{3}{16}$ " (5 mm) diameter piano hinges ensure smooth and long-lived operation, and rimless keyed-alike flush tumbler locks offer strong security with an elegant look.



The Simplicity Collection

SIMPLICITY COLLECTION

This elegant collection combines seamless construction and crisp design lines to provide strength and comfort, beauty and durability, form and function. 18 gauge doors and 20 gauge cabinets conceal heavy-duty $\frac{3}{16}$ " (5 mm) diameter piano hinges. All units are keyed alike.

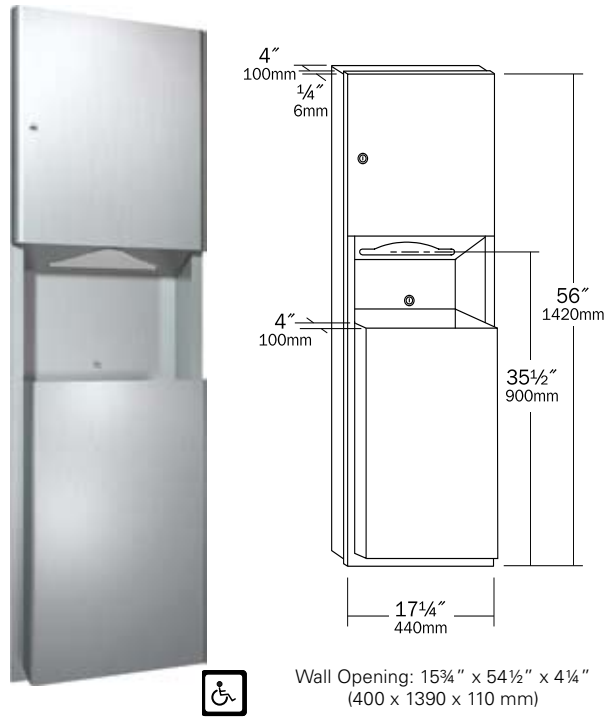
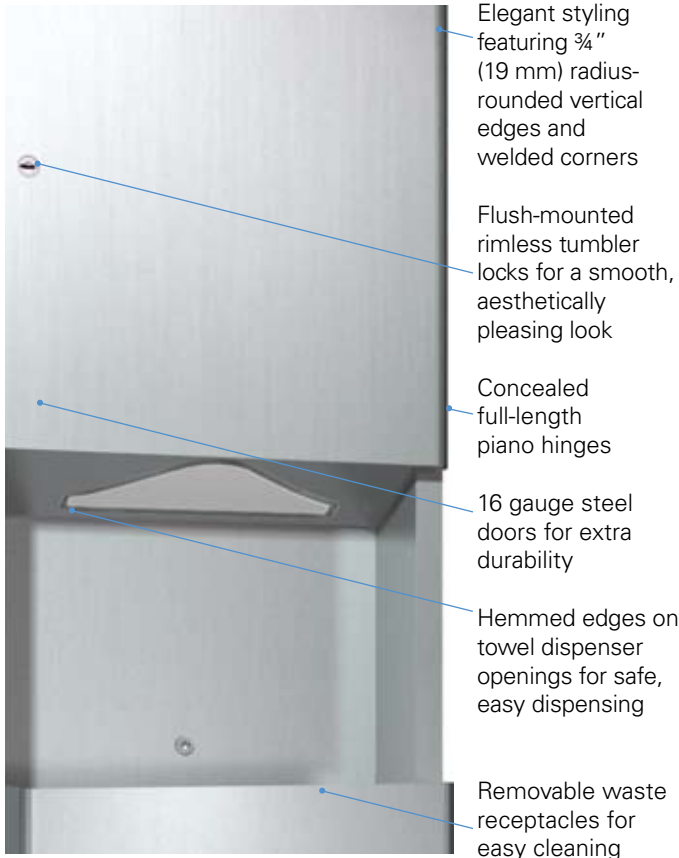


The Traditional Collection

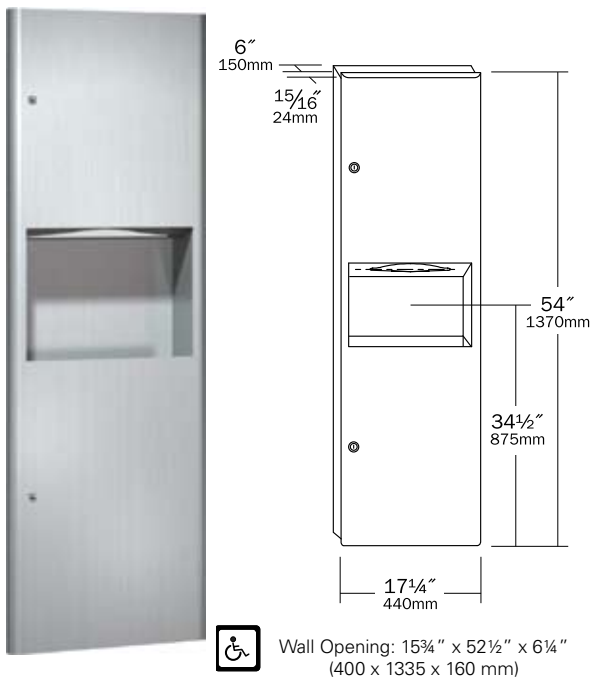
TRADITIONAL COLLECTION

The Traditional Collection has easily passed the test of time. These high value products feature 22 gauge double-pane doors incorporating a "no-flex" structural fiberboard core. 22 gauge cabinets, heavy-duty $\frac{3}{16}$ " (5 mm) diameter piano hinge and keyed-alike tumbler locks complete this broad product line.

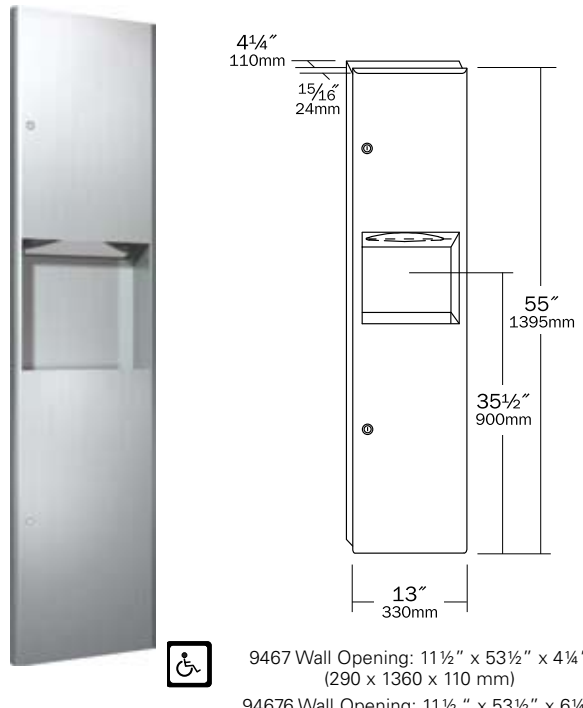
PROFILE COLLECTION



9469 PAPER TOWEL DISPENSER AND WASTE RECEPTACLE
 Dispenses 600 C-fold or 800 multi-fold paper towels. 15.6 gal. (59 L) waste receptacle.



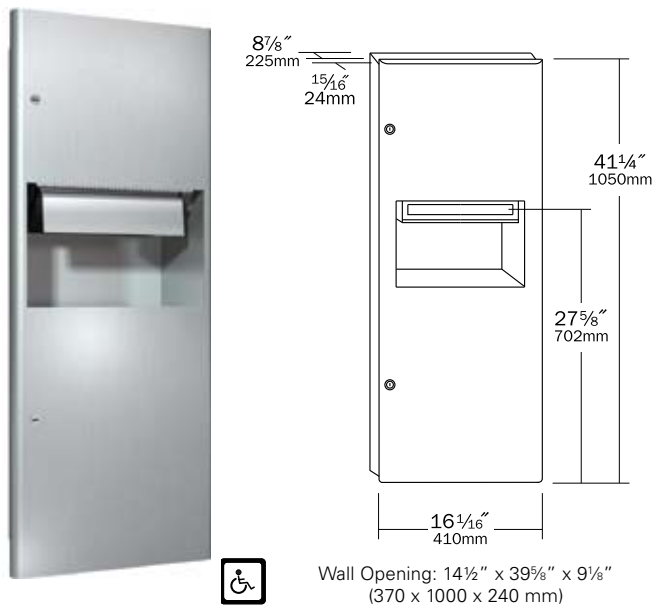
9462 PAPER TOWEL DISPENSER AND WASTE RECEPTACLE
 Dispenses 600 C-fold, 800 multi-fold, or 1100 single-fold paper towels. 9 gal. (34 L) stainless steel waste receptacle.



9467 PAPER TOWEL DISPENSER AND WASTE RECEPTACLE
 Dispenses 600 C-fold or 900 multi-fold paper towels. 5 gal. (18.9 L) stainless steel waste receptacle.

94676 (Not Shown) Same as 9467, but 6" (150 mm) deep to also dispense 1100 single-fold towels and has push door and 7 gal. (26.5 L) capacity.

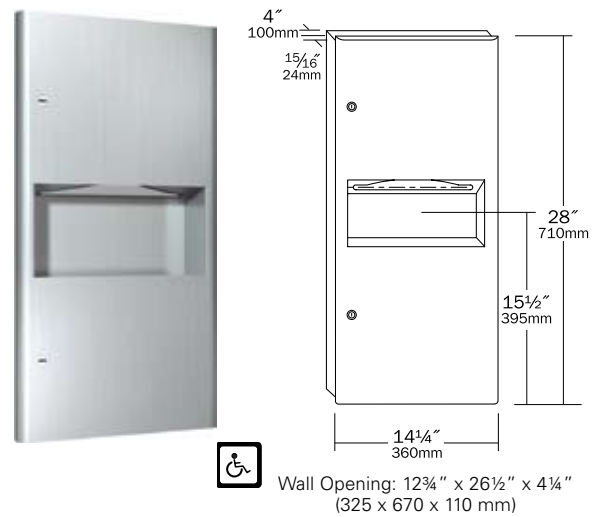
PROFILE COLLECTION



94696A AUTOMATIC ROLL PAPER TOWEL DISPENSER AND WASTE RECEPTACLE

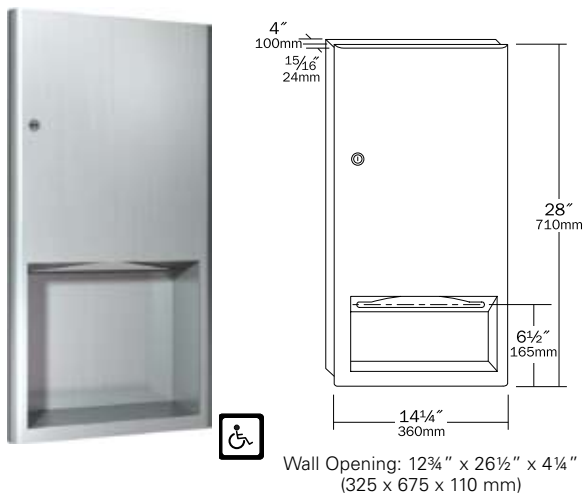
Proximity sensing no-touch unit dispenses a pre-set length per cycle from 8" or 9" (205 or 230 mm) wide, 800 ft. (244 m) long rolls. 10 gal. (37.8 L) stainless steel waste receptacle. Battery operated (4) D-size.

94696 (Not Shown) Same as 94696A but with mechanical lever paper towel dispenser.



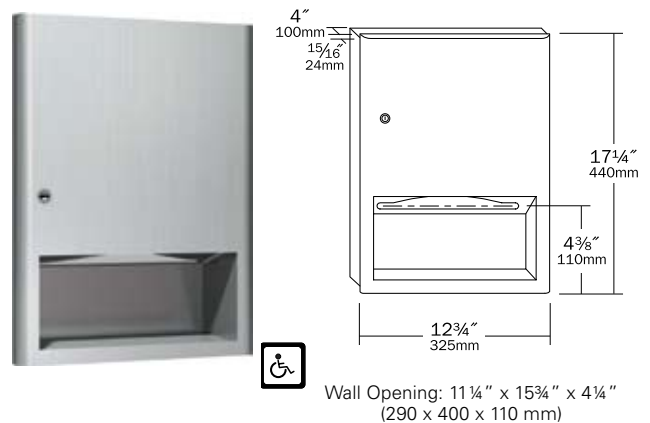
94623 PAPER TOWEL DISPENSER AND WASTE RECEPTACLE

Dispenses 350 C-fold, 475 multi-fold paper towels. 2 gal. (7.6 L) stainless steel waste receptacle.



9452 PAPER TOWEL DISPENSER

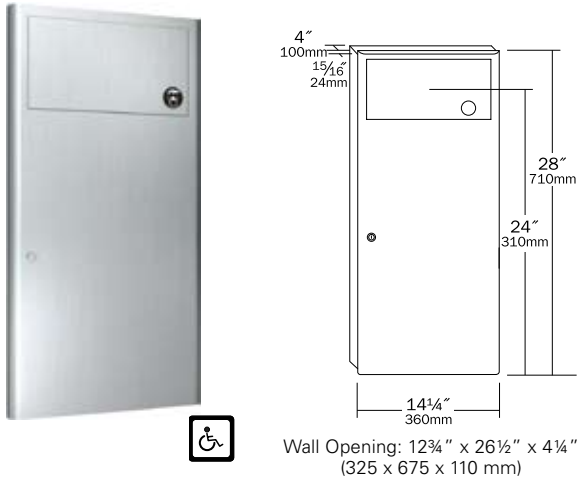
Dispenses 600 C-fold or 800 multi-fold paper towels.



9457 PAPER TOWEL DISPENSER

Dispenses 350 C-fold or 475 multi-fold paper towels.

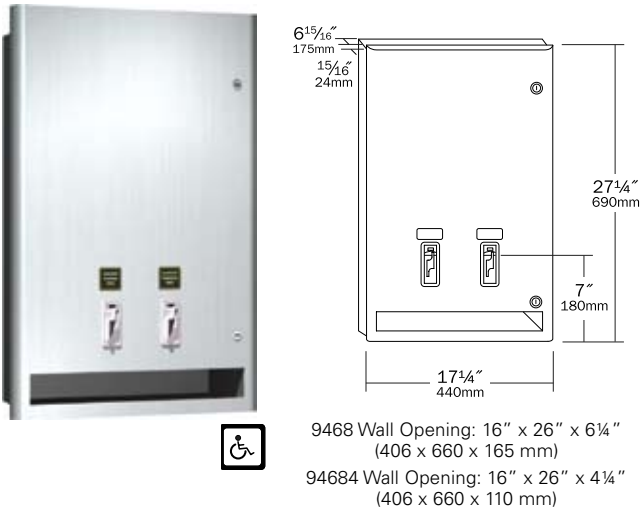
PROFILE COLLECTION



9459 WASTE RECEPTACLE
Self-closing panel covers receptacle opening. 4 gal. (15 L) stainless steel waste receptacle.

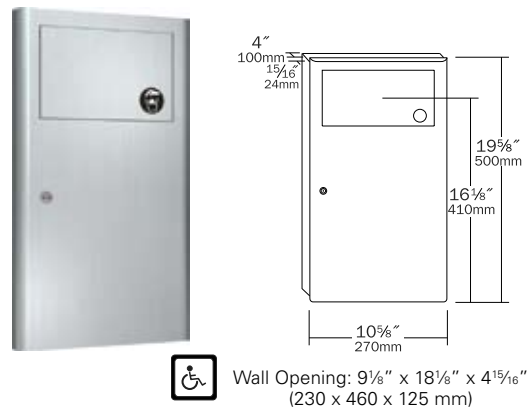


9474 WASTE RECEPTACLE
Waste receptacle is 12 gal. (45.4 L) stainless steel.



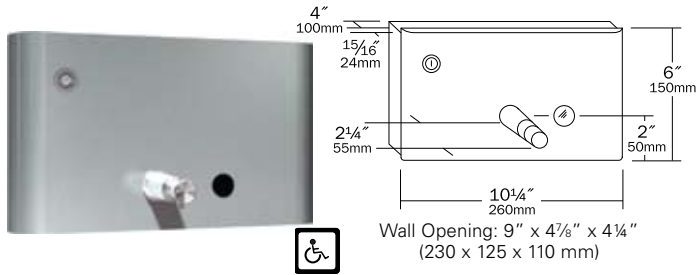
9468 DUAL NAPKIN/TAMPON VENDER
Dispenses 30 feminine napkins and 27 tampons. Available for 25¢, 50¢ or free operation. Door locked by two tumbler locks. Inside coin box has separately keyed lock.

94684 (Not Shown) Similar to 9468 but designed for 4" (102 mm) wall. Dispenses 15 napkins, 23 tampons.



9471 SANITARY NAPKIN DISPOSAL
Self-closing stainless steel push-door covers disposal opening. Removable 1.9 gal. (7.2 L) stainless steel waste receptacle.

PROFILE COLLECTION



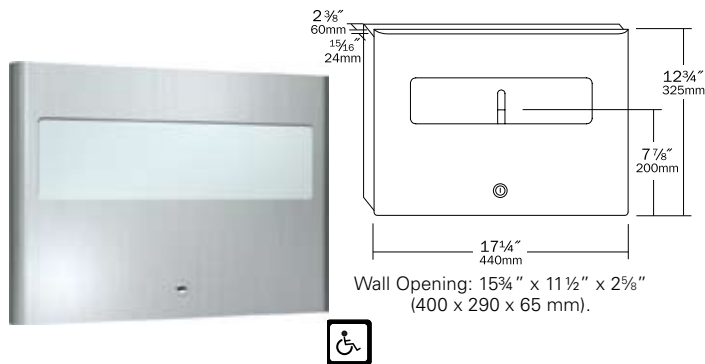
9326 LIQUID SOAP DISPENSER

Provided with covered stainless steel soap tank attached to door which hinges out for easy filling and cleaning. All purpose valve dispenses liquid, lotion and detergent-type soaps. Capacity: 52 fluid ounces (1.5 L).



9343 SURFACE MOUNTED SOAP DISPENSER

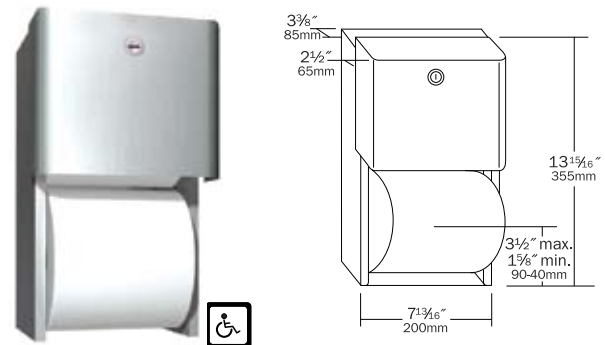
All-purpose soap valve dispenses liquid, lotion and detergent-type soap. Unbreakable refill window, concealed fastening and hinged filler-top for vandal resistance. Capacity: 48 fluid ounces (1.4 L). Overall size: 7 1/4" x 6 1/2" x 3 1/16" (185 x 163 x 94 mm) projection.



9477 TOILET SEAT COVER DISPENSER

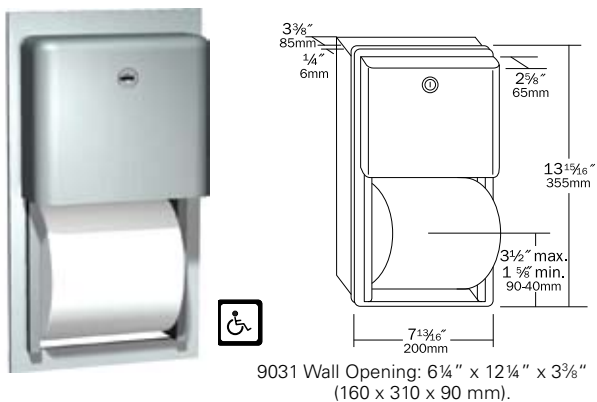
Dispenses 500 seat covers.

9477-SM (Not Shown) Same as 9477, except surface mounted.



9030 SURFACE MOUNTED DUAL ROLL TOILET TISSUE DISPENSER

Holds two rolls up to 5 1/4" (135 mm) diameter (1800 sheets). Top roll automatically drops in place when bottom roll is used up. Type 304 stainless steel cabinet and mechanism. Theft resistant spindles. Overall size: 6" x 12" x 6 1/2" (150 x 300 x 165 mm).



9031 RECESSED DUAL ROLL TOILET TISSUE DISPENSER

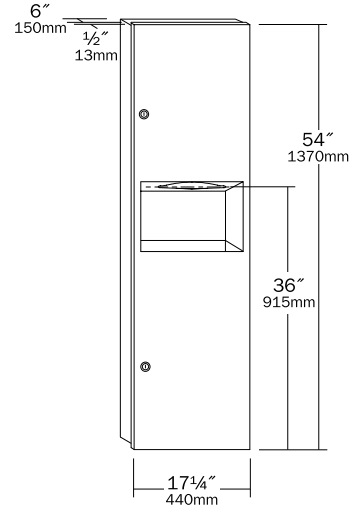
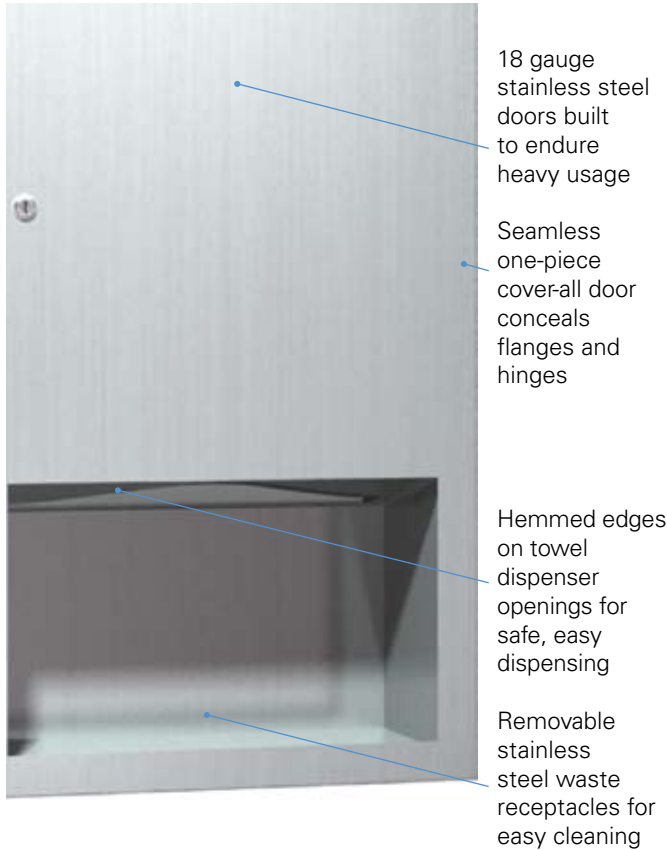
Holds two rolls up to 5 1/4" (135 mm) diameter (1800 sheets). Top roll automatically drops in place when bottom roll is used up. Type 304 stainless steel cabinet and mechanism. Theft resistant spindles. Overall size: 6" x 12" x 6 1/2" (150 x 300 x 165 mm) with flange for recessing.

GENERAL SPECIFICATIONS:

PROFILE COLLECTION

Doors shall be fabricated of 16 gauge type 304 stainless steel with satin finish. Full face of door to project 15/16" (24 mm) from wall and shall be hinged with a concealed heavy duty 3/16" (5 mm) diameter stainless steel piano hinge. Cabinet shall be fabricated of 20 gauge type 304 stainless steel. All doors shall have both vertical edges rounded to a 3/4" (19 mm) radius and have flat rimless tumbler locks keyed alike. Removable internal waste receptacles shall be stainless steel. All corners shall be welded. Towel dispensers shall have hemmed opening for safe, easy dispensing. Automatic dispensers shall feature proximity sensor activated dispensing mechanism.

SIMPLICITY COLLECTION

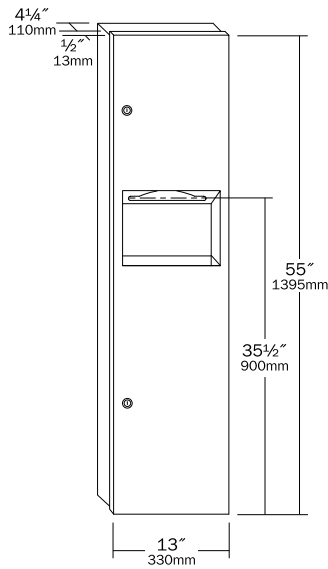


Wall Opening: 15 3/4" x 52 1/2" x 6"
(400 x 1335 x 150 mm)

6462 PAPER TOWEL DISPENSER AND WASTE RECEPTACLE
Provided adapter allows changing from up to 1,000 single-fold towels to 600 C-fold or 800 multi-fold towels. 9 gal. (34 L) waste receptacle.

6462-2 (Not Shown) Similar to 6462, but with stainless steel collar for semi-recessing in 4" (102 mm) walls.

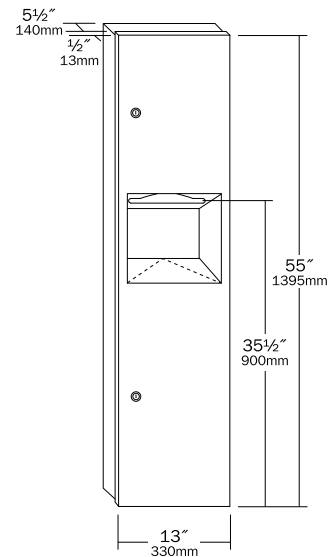
6462-9 (Not Shown) Similar to 6462, but with stainless steel collar for surface mounting.



Wall Opening: 11 1/2" x 53 1/2" x 4 1/4"
(290 x 1360 x 110 mm)

6467 PAPER TOWEL DISPENSER AND WASTE RECEPTACLE
Dispenses 600 C-fold or 800 multi-fold paper towels. 5 gal. (18.9 L) stainless steel waste receptacle.

6467-9 (Not Shown) Similar to 6467, but with stainless steel collar for surface mounting.



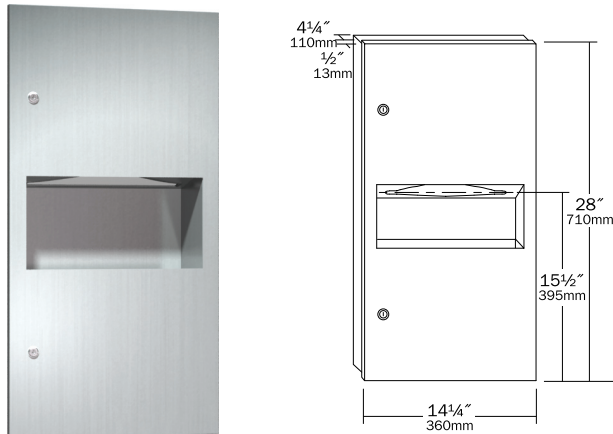
Wall Opening: 11 1/2" x 53 1/2" x 6 1/4"
(290 x 1360 x 160 mm)

64676 PAPER TOWEL DISPENSER AND WASTE RECEPTACLE
600 C-Fold, 800 multi-fold or 1100 single-fold towels. 7 gal. (26.5 L) stainless steel waste receptacle.

64676-2 (Not Shown) Similar to 64676, but with stainless steel collar for semi-recessing in 4" (102 mm) walls.

64676-9 (Not Shown) Similar to 64676, but with a stainless steel collar for surface mounting.

SIMPLICITY COLLECTION

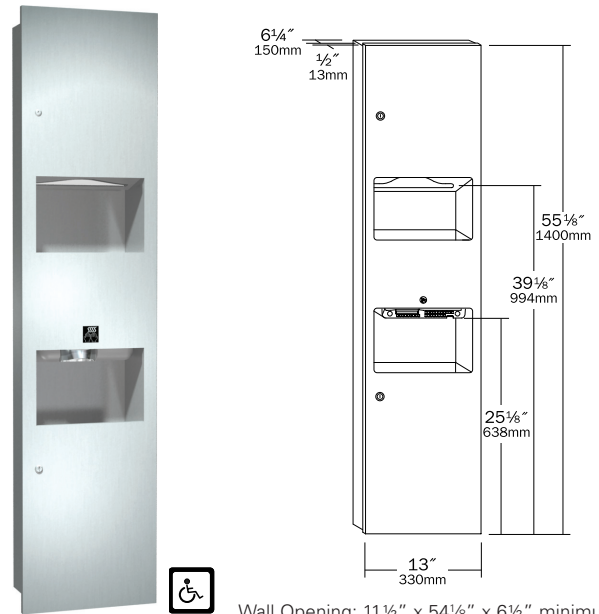


Wall Opening: 12 $\frac{3}{4}$ " x 72 $\frac{1}{2}$ " x 6 $\frac{1}{4}$ "
(325 x 1840 x 160 mm)

64623 RECESSED PAPER TOWEL DISPENSER AND WASTE RECEPTACLE

Dispenses 350 C-fold or 475 multi-fold paper towels. 2 gal. (7.6 L) stainless steel waste receptacle.

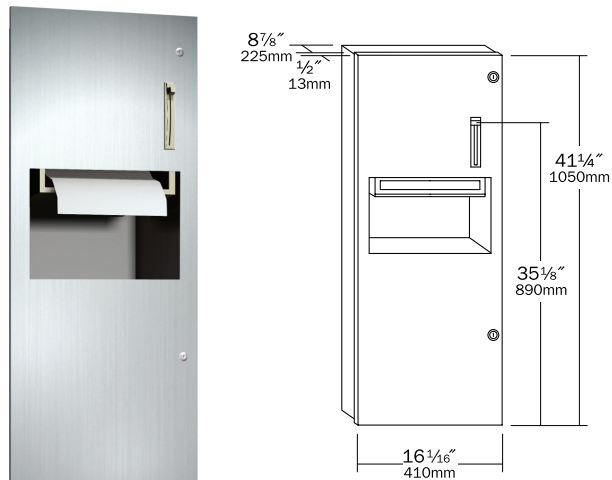
64623-9 (Not Shown) Similar to 64623, but with a stainless steel collar for surface mounting.



Wall Opening: 11 $\frac{1}{2}$ " x 54 $\frac{1}{8}$ " x 6 $\frac{1}{2}$ " minimum
(292 x 1375 x 165 mm)

64673 THREE-IN-ONE UNIT RECESSED COMBINATION PAPER TOWEL DISPENSER, AUTOMATIC HAND DRYER AND WASTE RECEPTACLE

Three-in-one unit combines towel dispenser, automatic hand dryer and a four (4) gallon (15 L) stainless steel waste receptacle in one unit.



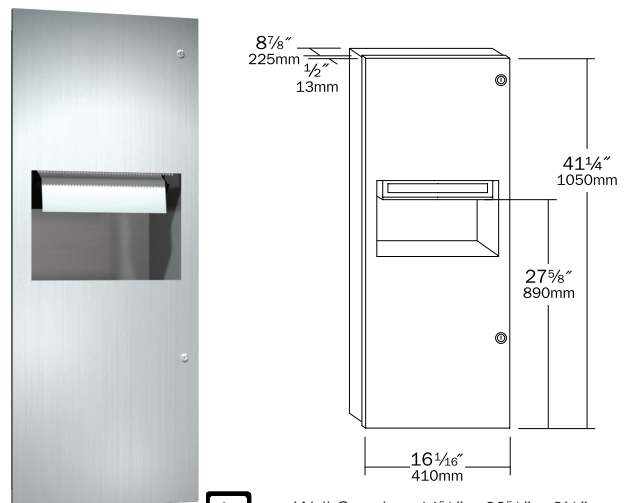
Wall Opening: 14 $\frac{5}{8}$ " x 39 $\frac{5}{8}$ " x 9 $\frac{1}{8}$ "
(370 x 1010 x 230 mm)

64696 ROLL PAPER TOWEL DISPENSER AND WASTE RECEPTACLE

Mechanically dispenses 8" or 9" (205 or 230 mm) wide, 800 ft. (244 m) long rolls in pre-set lengths of 2 $\frac{1}{2}$ ", 4", or 5" (65, 100, or 125 mm) per stroke. 8.6 gal. (32.6 L) stainless steel waste receptacle.

64696-6 (Not Shown) Similar to 64696, but with stainless steel collar for semi-recessing in 4" (102 mm) walls.

64696-9 (Not Shown) Similar to 64696, but with a stainless steel collar for surface mounting.



Wall Opening: 14 $\frac{5}{8}$ " x 39 $\frac{5}{8}$ " x 9 $\frac{1}{8}$ "
(370 x 1010 x 230 mm)

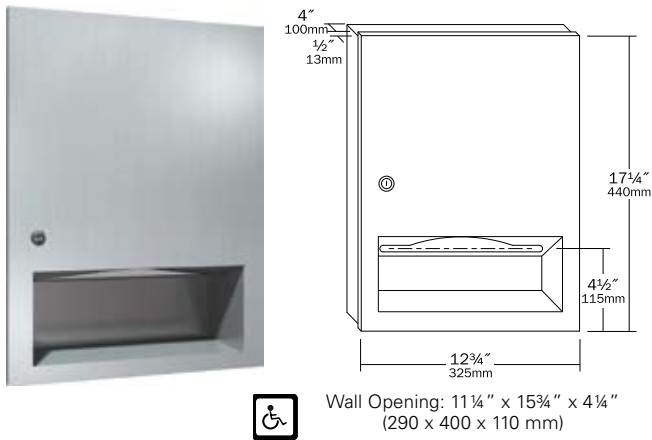
64696A AUTOMATIC ROLL PAPER TOWEL DISPENSER AND WASTE RECEPTACLE

Proximity sensing no-touch unit dispenses a pre-set length per cycle from 8" or 9" (205 or 230 mm) wide, 800 ft. (244 m) long rolls. 8.6 gal. (32.6 L) stainless steel waste receptacle. Battery operated (4) D-size.

64696A-6 (Not Shown) Similar to 64696A, but with stainless steel collar for semi-recessing in 4" (102 mm) walls.

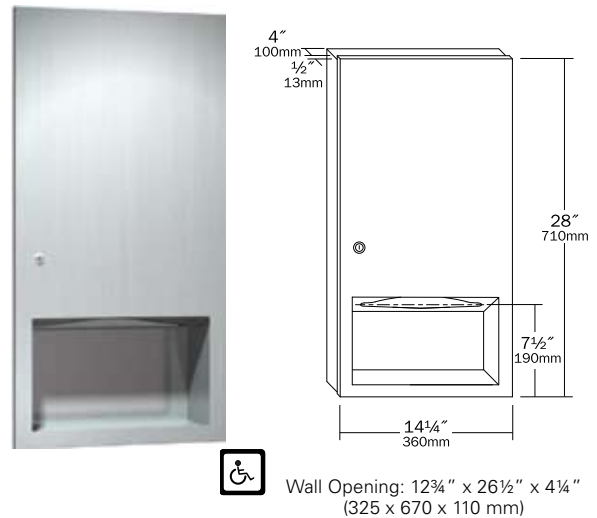
64696A-9 (Not Shown) Similar to 64696A, but with a stainless steel collar for surface mounting.

SIMPLICITY COLLECTION



6457 PAPER TOWEL DISPENSER

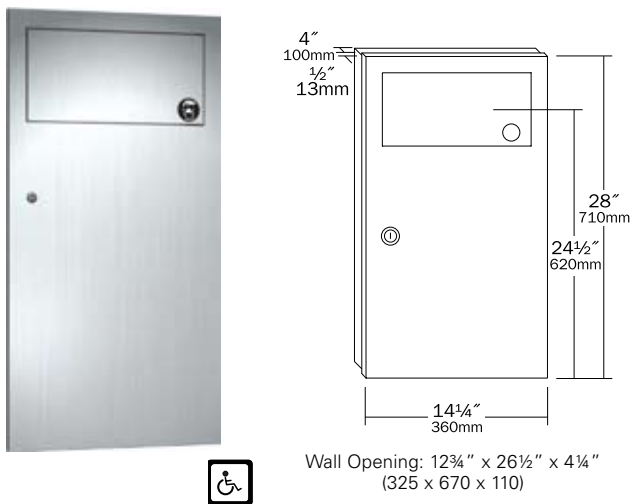
For the smaller washroom with less space and traffic. Dispenses 350 C-fold or 475 multi-fold paper towels.



6452 PAPER TOWEL DISPENSER

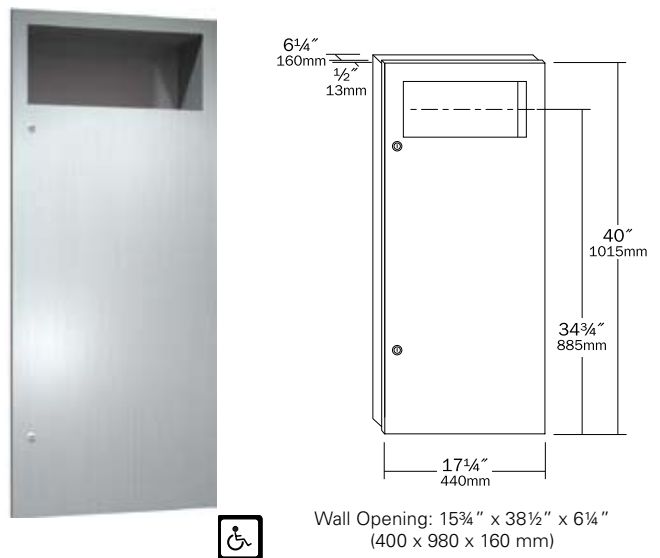
Dispenses 600 C-fold or 800 multi-fold paper towels.

6452-9 (Not Shown) Similar to 6452, but with stainless steel collar for surface mounting.



6459 WASTE RECEPTACLE

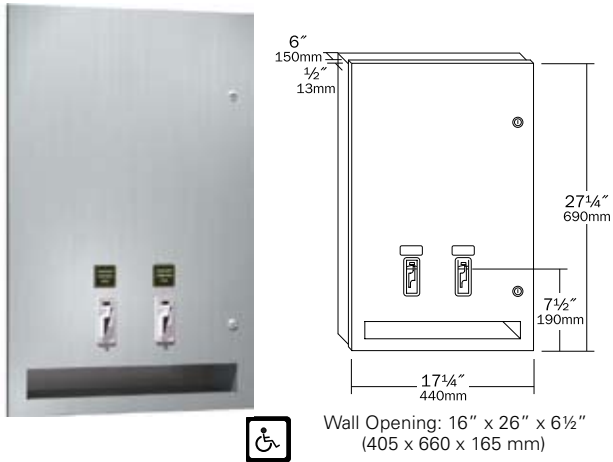
Self-closing panel covers receptacle opening. 4 gal. (15 L) stainless steel waste receptacle.



6474 WASTE RECEPTACLE

Waste receptacle is 12 gal. (45.4 L) stainless steel.

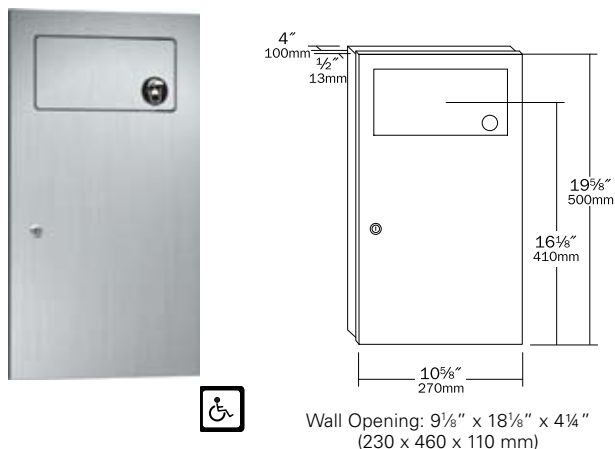
6474-2 (Not Shown) Similar to 6474, but with stainless steel collar for semi-recessing in 4" (102 mm) walls.



6468 DUAL NAPKIN/TAMPON VENDOR

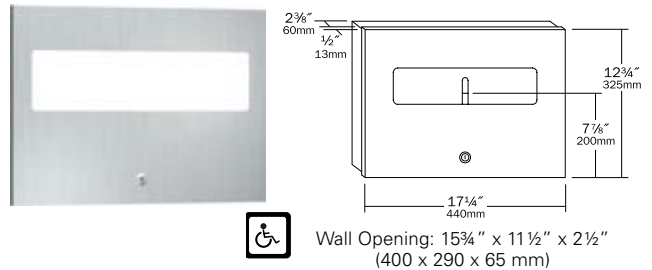
Dispenses 30 feminine napkins and 27 tampons. Available for 25¢, 50¢ or free operation. Door locked by two tumbler locks. Inside coin box has separately keyed lock.

64684 (Not Shown) Similar to 6468, but dispenses 15 feminine napkins and 23 tampons and recesses into 4" (102 mm) wall.



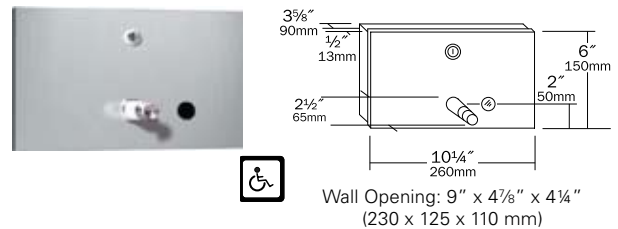
6471 SANITARY NAPKIN DISPOSAL

Self-closing stainless steel push door covers disposal opening. 1.9 gal. (7.2 L) stainless steel waste receptacle.



6477 TOILET SEAT COVER DISPENSER

Installs in the back wall of toilet compartment. Capacity: 500 seat covers.



6326 LIQUID SOAP DISPENSER

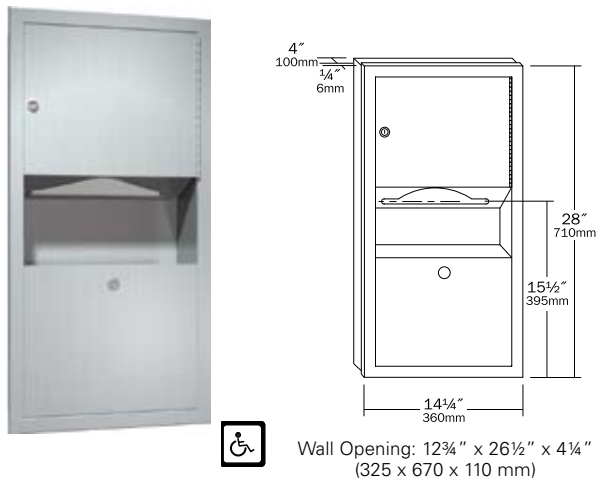
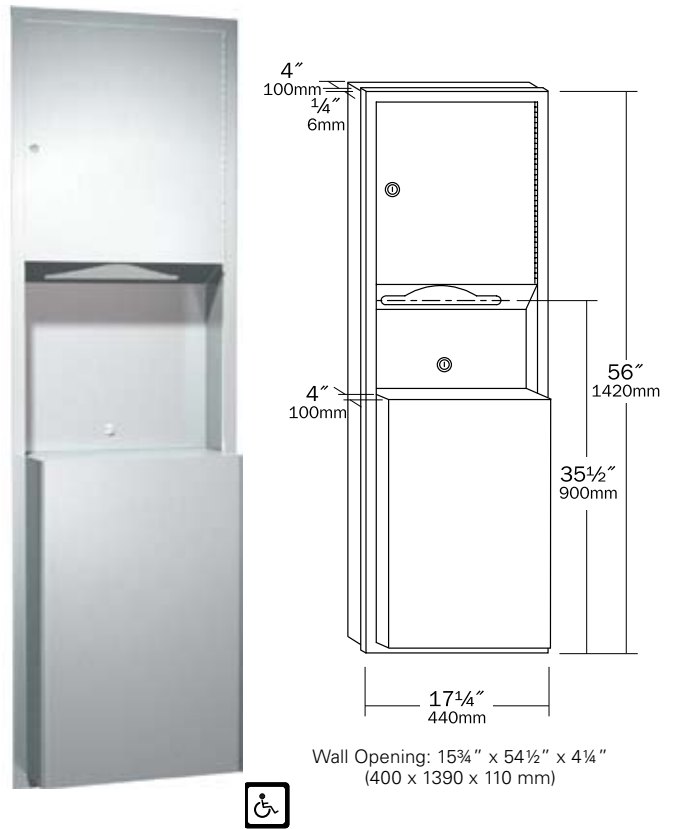
Stainless steel with satin finish, all purpose soap valve, 52 fluid ounce (1.5 L) capacity, unbreakable refill window.

GENERAL SPECIFICATIONS:

SIMPLICITY COLLECTION

Doors shall be fabricated of 18 gauge type 304 stainless steel with a satin finish. Full face of door to project 1/2" (13 mm) from wall and hinged at sides by a concealed heavy duty 3/16" (5 mm) diameter stainless steel piano hinge. Recessed cabinet shall be fabricated of 20 gauge type 304 stainless steel. All doors shall be provided with keyed-alike tumbler locks. Towel dispensers shall have hemmed opening for safe, easy dispensing. Automatic dispensers shall feature proximity sensor activated dispensing mechanism.

TRADITIONAL COLLECTION



0462-AD PAPER TOWEL DISPENSER AND WASTE RECEPTACLE

Dispenses 350 C-fold or 475 multi-fold paper towels. 2 gal. (7.6 L) waste receptacle.

0462-AD-9 (Not Shown) Same as 0462-AD, except with stainless steel collar for surface mounting.

0469 PAPER TOWEL DISPENSER AND WASTE RECEPTACLE
Dispenses 600 C-fold or 800 multi-fold paper towels. 12 gal. (46 L) stainless steel waste receptacle.

0469-2 (Not Shown) Same as 0469, except with recessing steel collar for semi-recessing in 2" (50 mm) walls.

0469-9 (Not Shown) Same as 0469, except with stainless steel collar for surface mounting.

0469-BL (Not Shown) Same as 0469, except has 18 gal. (68 L) waste receptacle. Projects 8" (205 mm) from wall.

TRADITIONAL COLLECTION



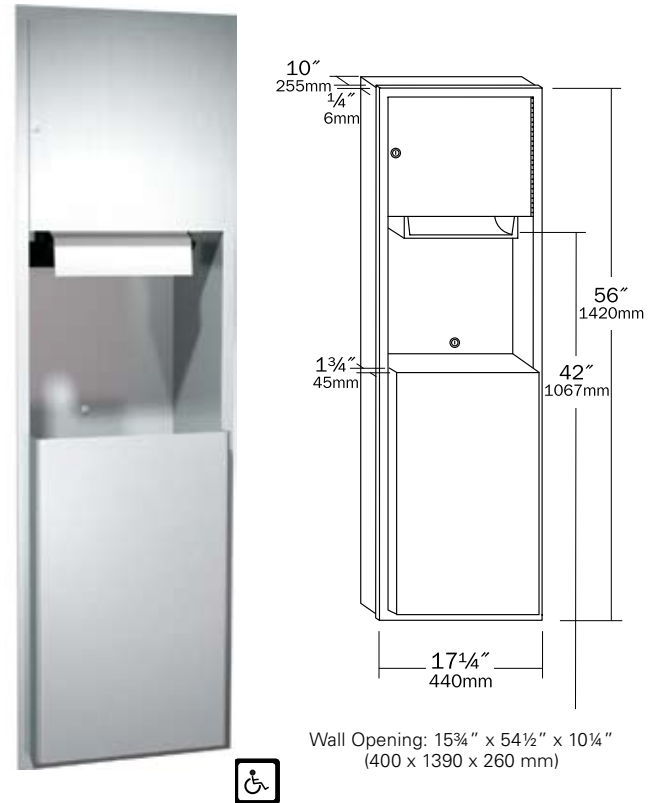
04697 RECESSED PAPER TOWEL DISPENSER AND WASTE RECEPTACLE

Dispenses 600 C-fold, 800 multi-fold or 1,100 single-fold paper towels. 12 gal. (46 L) stainless steel waste receptacle.

04697-4 (Not Shown) Same as 04697, except with stainless steel collar for semi-recessing in 4" (102 mm) walls.

04697-9 (Not Shown) Same as 04697, except with stainless steel collar for surface mounting.

04697-BL (Not Shown) Same as 04697, except has 18 gal. (68 L) waste receptacle, projects 4" (102 mm) from wall.



04692A AUTOMATIC ROLL PAPER TOWEL DISPENSER AND WASTE RECEPTACLE

Proximity sensing no-touch unit dispenses a pre-set length per cycle from 8" or 9" (205 or 230 mm) wide, 800 ft. (244 m) long rolls. Battery operated (4) D-size.

04692A-6 (Not Shown) Similar to 04692A, except with stainless steel collar for semi-recessing in 4" (102 mm) walls.

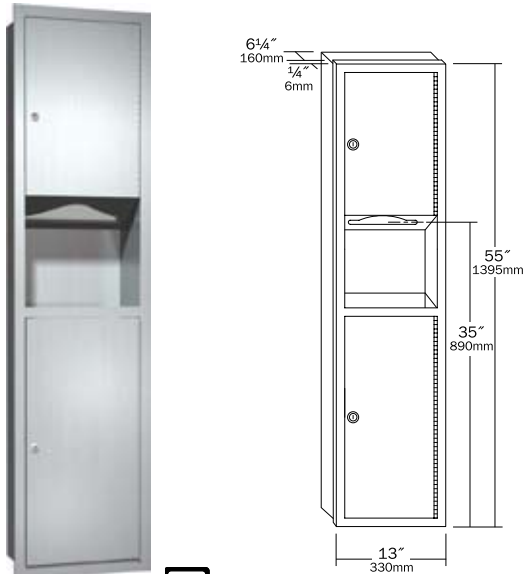
04692A-9 (Not Shown) Similar to 04692A, except with stainless steel collar for surface mounting.

04692 (Not Shown) Similar to 04692A, but with mechanical lever dispenser. Three pre-set dispensing lengths.

04692-6 (Not Shown) Same as 04692, except with stainless steel collar for semi-recessing in 4" (102 mm) walls.

04692-9 (Not Shown) Same as 04692, except with stainless steel collar for surface mounting.

TRADITIONAL COLLECTION

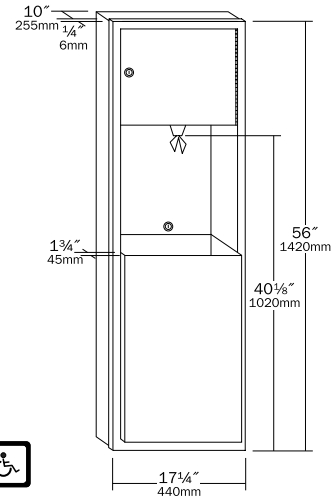


Wall Opening: 11 1/2" x 53 1/2" x 6 1/4"
(290 x 1360 x 160 mm)

0467 PAPER TOWEL DISPENSER AND WASTE RECEPTACLE
Dispenses 600 C-fold, 800 multi-fold or 1100 single-fold paper towels. 6 gal. (22.7 L) stainless steel waste receptacle.

0467-2 (Not Shown) Same as 0467, except with stainless steel collar for semi-recessing in 4" (102 mm) walls.

0467-9 (Not Shown) Same as 0467, except with stainless steel collar for surface mounting.



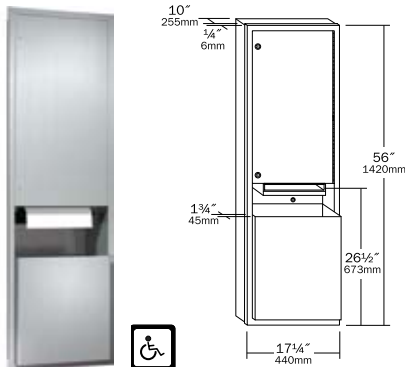
Wall Opening: 15 3/4" x 54 1/2" x 10 1/4"
(400 x 1385 x 260 mm)

04693 RECESSED PULL CORE TOWEL DISPENSER AND WASTE RECEPTACLE

Dispenses one pull core paper towel roll. 16 gal (60.6 L) stainless steel waste receptacle.

04693-6 (Not Shown) Same as 04693, except with stainless steel collar for semi-recessing in 4" (102 mm) walls.

04693-9 (Not Shown) Same as 04693, except with stainless steel collar for surface mounting.



Wall Opening:
15 3/4" x 54 1/2" x 10 1/4"
(400 x 1390 x 260 mm)

046921A AUTOMATIC RECESSED ROLL TOWEL DISPENSER AND WASTE RECEPTACLE

Proximity sensing no-touch unit dispenses a pre-set length per cycle from 8" or 9" (205 or 230 mm) wide, 800 ft. (244 m) long rolls. 14 gal. (53 L) waste receptacle. Battery operated (4) D-size.

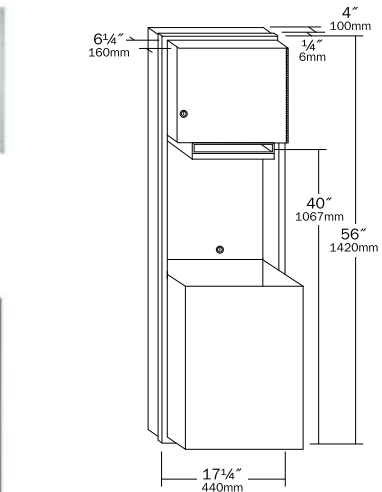
046921A-6 (Not Shown) Same as 046921A, except with stainless steel collar for semi-recessing in 4" (102 mm) walls.

046921A-9 (Not Shown) Same as 046921A, except with stainless steel collar for surface mounting.

046921 (Not Shown) Same as 046921A, except with mechanical lever dispenser. Three pre-set dispensing lengths.

046921-6 (Not Shown) Same as 046921A-6 except with stainless steel collar for semi-recessing in 4" (102 mm) walls.

046921-9 (Not Shown) Same as 046921A-9 except with stainless steel collar for surface mounting.



Wall Opening: 15 3/4" x 54 1/2" x 4 1/4"
(400 x 1390 x 110 mm)

046924A AUTOMATIC RECESSED ROLL TOWEL DISPENSER AND WASTE RECEPTACLE

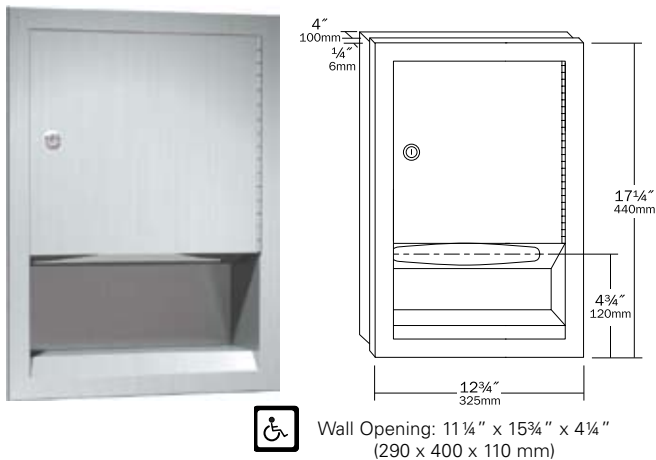
Proximity sensing no-touch unit dispenses a pre-set length per cycle from 8" or 9" (205 or 230 mm) wide, 800 ft. (244 m) long rolls. 14 gal. (53 L) waste receptacle. Battery operated (4) D-size.

046924A-9 (Not Shown) Same as 046924A, except with stainless steel collar for surface mounting.

046924 (Not Shown) Same as 046924A, except with mechanical lever dispenser. Three pre-set dispensing lengths.

046924-9 (Not Shown) Same as 046924A-9 except with mechanical lever dispenser.

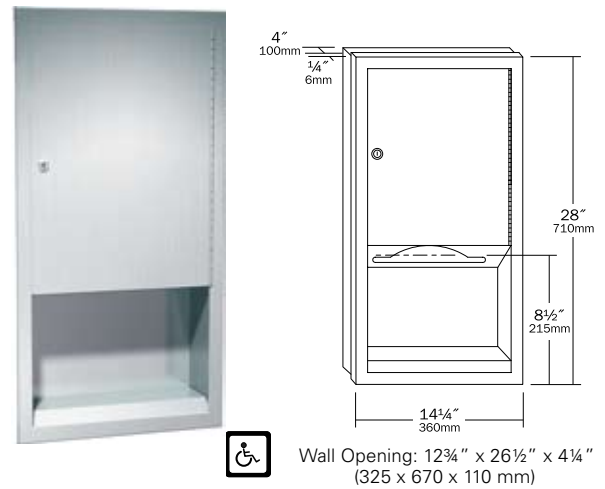
TRADITIONAL COLLECTION



0457 PAPER TOWEL DISPENSER

For the smaller washroom with less space and traffic. Dispenses 350 C-fold or 500 multi-fold paper towels.

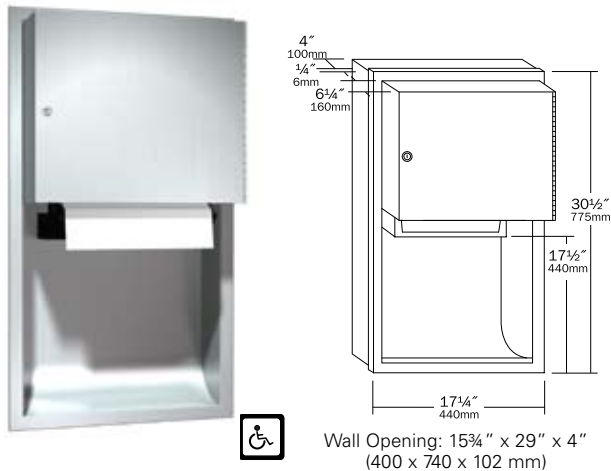
0457-9 (Not Shown) Same as 0457, except with stainless steel collar for surface mounting.



0452 PAPER TOWEL DISPENSER

Dispenses 600 C-fold or 800 multi-fold paper towels.

0452-9 (Not Shown) Same as 0452, except with stainless steel collar for surface mounting.



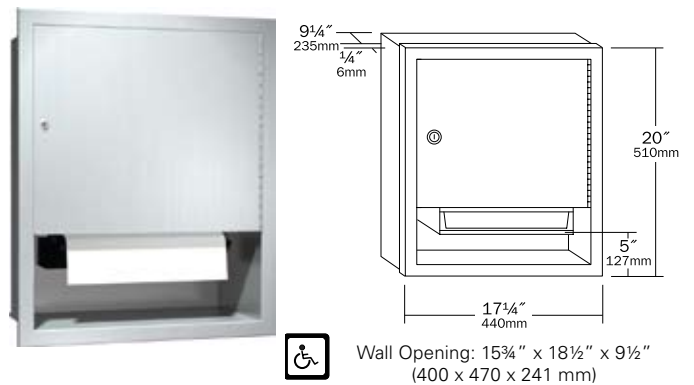
045224A AUTOMATIC ROLL PAPER TOWEL DISPENSER

Proximity sensing no-touch unit dispenses a pre-set length per cycle from 8" or 9" (205 or 230 mm) wide, 800 ft. (244 m) long rolls. Battery operated (4) D-size.

045224A-9 (Not Shown) Same as 045224A, except with stainless steel collar for surface mounting.

045224 (Not Shown) Same as 045224A except with mechanical lever dispenser. Three pre-set dispensing lengths.

045224-9 (Not Shown) Same as 045224A-9 except with stainless steel collar for surface mounting.



04523A AUTOMATIC ROLL PAPER TOWEL DISPENSER

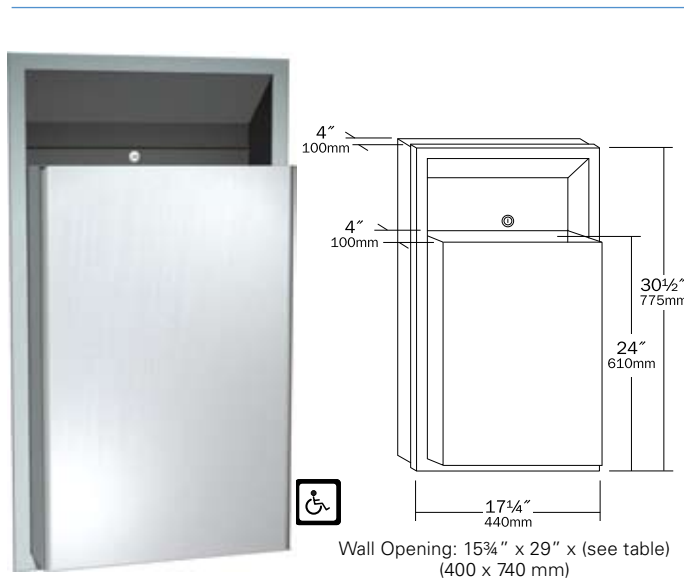
Proximity sensing no-touch unit dispenses a pre-set length per cycle from 8" or 9" (205 or 230 mm) wide, 800 ft. (244 m) long rolls. Battery operated (4) D-size.

04523A-9 (Not Shown) Same as 04523A, except with stainless steel collar for surface mounting.

04523 (Not Shown) Same as 04523A except with mechanical lever dispenser. Three pre-set dispensing lengths.

04523-9 (Not Shown) Same as 04523, except with stainless steel collar for surface mounting.

TRADITIONAL COLLECTION

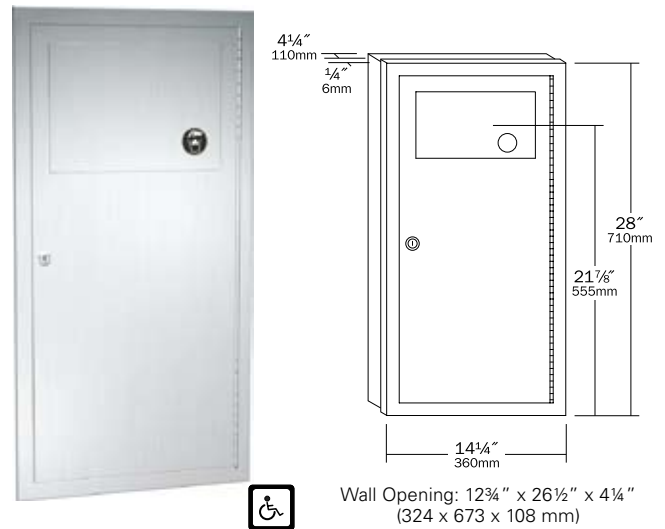


0458 WASTE RECEPTACLE

Stainless steel waste container locks into cabinet, removable for servicing.

0458-9 (Not Shown) Same as 0458, except with stainless steel collar for surface mounting.

No.	Projection	Recess	Gals.
0458	4" (102 mm)	4" (102 mm)	12 (46 L)
0458-CX	½" (13 mm)	7½" (190 mm)	12 (46 L)
0458-DX	8" (205 mm)	4" (102 mm)	18 (68 L)



04733 WASTE RECEPTACLE

Self-closing panel covers the receptacle opening, removable 3 gal. (11.4 L) stainless steel waste receptacle.



0430 MULTI-PURPOSE CABINET

Combines shelf, mirror, towel dispenser, and 101 fluid ounce (3 L) soap dispenser. Unit dispenses 600 C-fold or 800 multi-fold paper towels. 15-year mirror silver spoilage guaranty.

0430-9 (Not Shown) Same as 0430, except with stainless steel collar for surface mounting.



0431 MULTI-PURPOSE CABINET WITH CONCEALED BODY

For mounting behind continuous mirror. Shelf, towel dispenser and 101 fluid ounce (3 L) soap dispenser. Dispenses 600 C-fold or 800 multi-fold paper towels.

0436 (Not Shown) Same as 0431 except without soap dispenser.

TRADITIONAL COLLECTION



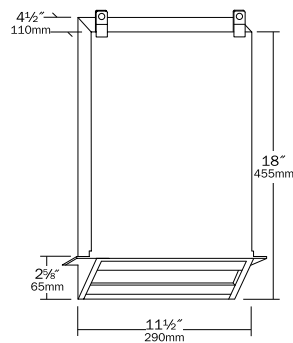
0210 PAPER TOWEL DISPENSER

Dispenses 400 C-fold or 525 multi-fold paper towels without adjustment or adapters. Fabricated of 22 gauge stainless steel with satin finish. Fitted with tumbler lock and heavy duty stainless steel piano hinge. Overall size: 11" x 14⁵/₈" x 4¹/₁₆" (280 x 370 x 102 mm).



0215 PAPER TOWEL DISPENSER — PETITE

Same as 0210, but reduced capacity for low traffic areas. Dispenses 200 C-fold or 275 multi-fold paper towels. Overall size: 11" x 8" x 4" (280 x 205 x 102 mm).

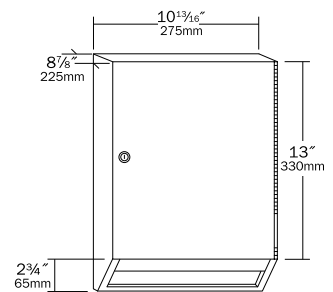


Wall Opening: 11³/₄" x 18³/₄" x 4¹/₂"
(300 x 465 x 115 mm)

0439 RECESSED TOWEL DISPENSER

Cabinet is provided with two push-up flaps for bottom-filling of paper towels. Towel dispenser is concealed behind mirror or wall. Dispenses 600 C-fold or 800 multi-fold paper towels. Only towel tray opening is visible.

Designers Note: Leave 6" min. (150 mm) clearance below towel tray opening for space to pull towels. Units are installed prior to mirror hanging or before finished wall is applied.



8522A AUTOMATIC ROLL PAPER TOWEL DISPENSER

Proximity sensing no-touch unit dispenses pre-set lengths per cycle from 8" or 9" (205 or 230 mm) wide, 800 ft. (244 m) long rolls. Battery operated (4) D-size. Overall size: 12¹/₄" x 15" x 9¹/₂" (310 x 380 x 240 mm).

8522 Similar to 8522A, but with mechanical dispenser. Three pre-set dispensing lengths.



8165 ROLL PAPER TOWEL DISPENSER

Heavy-duty aluminum casting with satin finish. Molded plastic spindle has concealed locking device to prevent theft of paper towels and spindle. Controlled delivery, allowing perforated paper towels to be torn from roll. Holds standard roll paper towels up to 6" (150 mm) diameter. Unit measures 13" (330 mm) wide and projects 4⁷/₈" (125 mm) from wall.



0245-SS PAPER TOWEL DISPENSER

Dispenses 400 single-fold paper towel. Entire unit fabricated of 22 gauge stainless steel. Overall size: 11¹/₄" x 6¹/₄" x 5⁵/₈" (285 x 160 x 145 mm).

TRADITIONAL COLLECTION



0828 WASTE RECEPTACLE

Fabricated of 22 gauge type 304 stainless steel with satin finish. Top and bottom edges hemmed for safety. Capacity: 6.7 gal. (25.4 L). Overall size: 14" x 17" x 6½" (355 x 430 x 165 mm).



0825 WASTE RECEPTACLE

Fabricated of 22 gauge type 304 stainless steel with satin finish. Top and bottom edges hemmed for safety, interior hooks for liner. Capacity: 20 gal. (75.7 L). Overall size: 15¾" x 21⅞" x 11¾" (400 x 555 x 300 mm).

0826 (Not Shown) Same as 0825, except with 17 gal. (64.4L) capacity. Overall Size: 15¼" x 23" x 8" (390 x 585 x 200 mm).



0810 FREE STANDING WASTE RECEPTACLE

Fabricated of 22 gauge type 304 stainless steel with satin finish. Top with self-closing doors. Vinyl wall bumpers – top and bottom, rubber feet. Hooks for liners. Capacity: 13 gal. (49 L). Overall size: 13" x 29" x 13" (330 x 735 x 330 mm).

0812 (Not Shown) Same as 0810, except 19 gal. (72 L). Overall size: 13" x 37" x 13" (330 x 940 x 330 mm).



0811 FREE STANDING OPEN WASTE RECEPTACLE

Same as 0810, except without top. Overall size: 13" x 22" x 13" (330 x 560 x 330 mm).

0813 (Not Shown) Same as 0811, except 19 gal. (72 L). Overall size: 13" x 30" x 13" (330 x 760 x 330 mm).



0827 WASTE RECEPTACLE

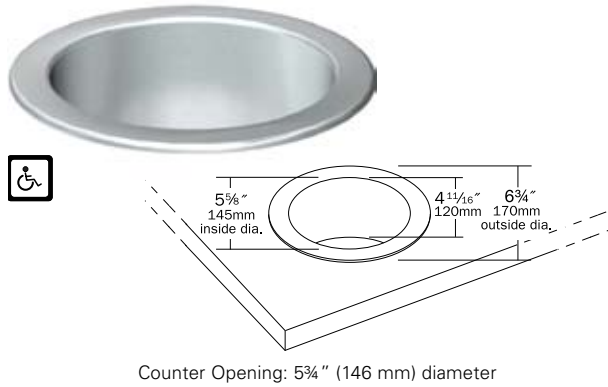
Fabricated of 22 gauge type 304 stainless steel with satin finish. Top and bottom edges hemmed for safety. Capacity: 2 gal. (7.6 L). Overall size: 10¼" x 9" x 4¾" (275 x 230 x 110 mm).



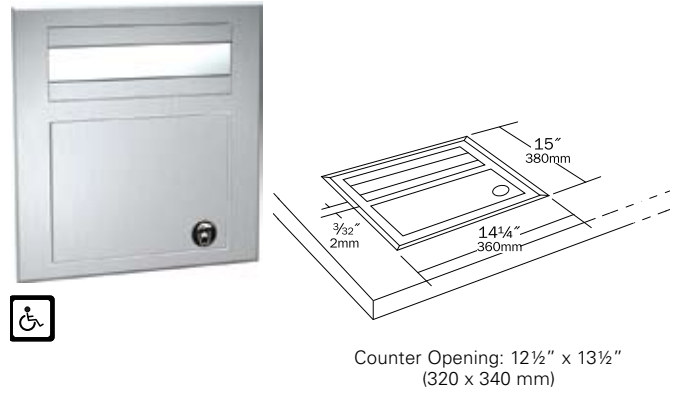
0829 CORNER WASTE RECEPTACLE

Fabricated of 22 gauge type 304 stainless steel with satin finish. Top and bottom edges hemmed for safety. Capacity: 15.5 gal. (59 L). Overall size: 15" x 23" x 14½" (380 x 585 x 370 mm).

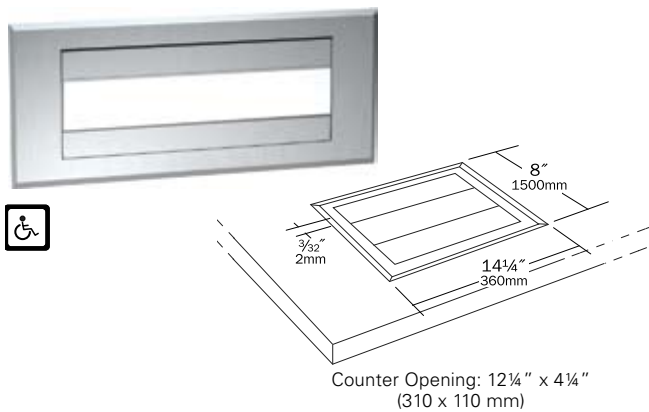
TRADITIONAL COLLECTION



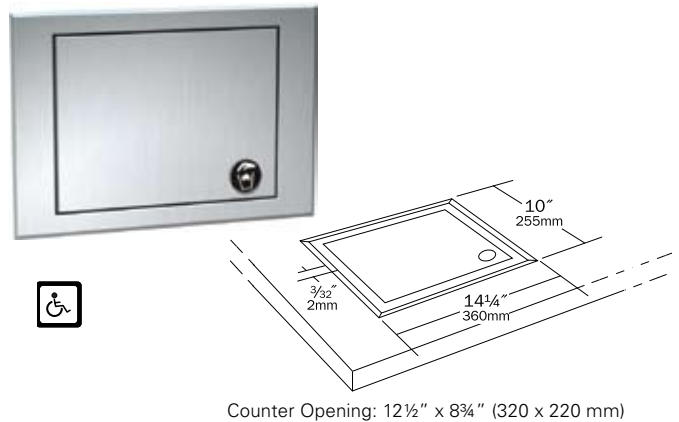
1000 CIRCULAR COUNTER TOP WASTE CHUTE
Provides waste deposit access to receptacle (not furnished) placed directly below chute. Made of heavy gauge stainless steel, rolled flange and exposed surfaces have satin finish.



1001 COUNTER TOP MOUNTED PAPER TOWEL DISPENSER/WASTE RECEPTACLE
Towels loaded by pushing through hinged dispensing flaps. Capacity: 1 package C-fold paper towels. Unit provided with loose waste receptacle to be placed directly below waste door on the vanity floor.



1002 COUNTER TOP MOUNTED PAPER TOWEL DISPENSER
Towels loaded by pushing downward through hinged dispensing flaps. Capacity: 1 package C-Fold paper towels.



1003 COUNTER TOP MOUNTED WASTE RECEPTACLE
Push door is self closing. A 12" x 12" x 12" (305 x 305 x 365 mm) waste receptacle is furnished to be placed directly below waste door on the vanity floor.

GENERAL SPECIFICATIONS:

TRADITIONAL COLLECTION

Doors shall be double-pan construction fabricated of 22 gauge type 304 stainless steel with a 1/4" (6 mm) thick "No-Flex" structural fiberboard core, mounted to cabinet body by a heavy-duty 3/16" (5 mm) diameter stainless steel piano hinge. Recessed cabinet shall be fabricated of 22 gauge stainless steel with face trim of one-piece construction with no miters or welding and returning 1/4" (6 mm) to wall. All doors shall be provided with keyed-alike tumbler locks. Automatic dispensers shall feature proximity sensor activated dispensing mechanism.

SOAP DISPENSERS



Choose from surface mounted, recessed or lavatory mounted models with lotion, powder and surgical soap dispensers.



0360 AUTOMATIC SOAP DISPENSER

Stainless steel, satin finish, proximity sensor, battery operated. Tamper resistant soap level viewing window, removable lid with special lock and key. Capacity: 35 fluid ounces (1000 ml). Overall size: 4⁷/₁₆" x 9¹/₄" x 4⁷/₈" (113 x 235 x 124 mm) projection.



0362 AUTOMATIC SOAP DISPENSER

Similar to 0360 except suitable for dispensing higher viscosity soaps. Capacity: 27 fluid ounces (800 ml) when using disposable soap cartridge (by others) or 30 fluid ounces (900 ml) when using provided refillable soap cartridge. Suitable for antimicrobial soaps. Overall size: 4¹³/₁₆" W x 10⁵/₈" H x 4¹/₈" projection (122 x 270 x 105 mm).

0363 AUTOMATIC SOAP DISPENSER

Same as 0362 except bright polished finish.



0332 LAVATORY MOUNTED ALL PURPOSE SOAP DISPENSER

Corrosion-resistant valve dispenses viscous lotion soaps and synthetic detergents. Fills from top for ease of maintenance. Free turning spout is vandal resistant. Spout and stem are stainless steel with bright finish. Escutcheon is chrome-plated brass. Adjustable threaded shank allows for installation in counter tops up to 3¹/₂" (90 mm) thick through 7⁷/₈" (22 mm) diameter hole.

Model	Capacity	Spout Length
0332	34 oz. (1.0 L)	4" (102 mm)
0332-C	20 oz. (0.6 L)	4" (102 mm)
0332-CD	20 oz. (0.6 L)	6" (152 mm)
0332-D	34 oz. (1.0 L)	6" (152 mm)



0361 AUTOMATIC SOAP DISPENSER

White, high impact plastic, proximity sensor, battery operated. Tamper resistant soap level viewing window, swing open body with special lock and key. Capacity: 28 fluid ounces (800 ml) Overall size: 3⁵/₈" x 10⁵/₁₆" x 4³/₈" (92 x 262 x 111 mm) projection.

SOAP DISPENSERS



Wall Opening: 9" x 4⁷/₈" x 4¹/₄" (230 x 125 x 110 mm)



0326 RECESSED HORIZONTAL SOAP DISPENSER
Stainless steel with satin finish, all purpose soap valve, 52 fluid ounce (1.5 L) capacity, unbreakable refill window.



9343 HORIZONTAL SOAP DISPENSER
All-purpose soap valve dispenses liquid, lotion and detergent type soap. Unbreakable refill window, concealed fastening and hinged filler-top for vandal resistance. Capacity: 48 fluid ounces (1.4 L). Overall size: 7¹/₄" x 6¹/₂" x 3¹/₁₆" (185 x 163 x 94 mm) projection.



Wall Opening: 5⁷/₈" x 5⁷/₈" x 4" (150 x 150 x 100 mm)



0327 RECESSED SOAP DISPENSER
34 ounce (1 L) capacity, dispenses lotion or detergent from all-purpose push valve. 18 gauge stainless steel locked door. Unbreakable refill indicator.



0345 HORIZONTAL SOAP DISPENSER
Stainless steel, satin finish. All-purpose soap valve and unbreakable refill window. Concealed fastening and hinged filler-top. Capacity: 40 fluid ounces (1.2 L). Overall size: 8¹/₈" x 4³/₄" x 4" (205 x 120 x 100 mm) projection.

0347 VERTICAL SOAP DISPENSER
Capacity: 40 fluid ounces. (1.2 L) Overall size: 4³/₄" x 8¹/₈" x 5¹/₄" (100 x 205 x 135 mm) projection.



0318 SURFACE MOUNTED SHELF AND SOAP DISPENSER
Fabricated of 20 gauge satin finish stainless steel. All-purpose valve. Capacity: 83 fluid ounces (2.5 L). Overall size: 17³/₈" x 3⁷/₁₆" x 5¹/₁₆" (440 x 87 x 130 mm).

0318-A (Not Shown) Similar to 0318, but has 2 all-purpose soap valves for mounting between lavatories.



0337 POWDER SOAP DISPENSER
Stainless steel with satin finish, vandal resistant hinged top and wall bracket. Capacity: 32 ounces, (0.9 L) dispenses free-flowing powder soap. Overall size: 8¹/₄" x 4³/₈" x 3³/₄" (210 x 110 x 95 mm).

SOAP DISPENSERS



0351 SURFACE MOUNTED LIQUID SOAP DISPENSER

Stainless steel housing with mirror finish and removable plastic globe, concealed mounting. Used for viscous lotion soaps, and synthetic detergents. Capacity: 12 ounces (0.4 L)
Overall size: 3³/₁₆" x 6" x 6³/₁₆" (80 x 150 x 160 mm).

0352 SURFACE MOUNTED LATHER SOAP DISPENSER

(Not Shown) Similar to 0351, but dispenses liquid soap in lather form. Use coconut base soap 10-20% concentrate only.



0346 SOAP DISPENSER FOR SHOWERS

Similar to 0347, except valve mounted vertically from bottom of container for use in showers.



0356 PUSH-UP TYPE SOAP DISPENSER

Chrome plated ABS mounting bracket with translucent, polyethylene soap container. Corrosion resistant ABS valve with stainless steel spring dispenses soaps, detergents or thin lotions. Capacity: 24 oz (0.71 L).
Overall height: 7⁵/₈" (194 mm).

0355 *(Not Shown)* Similar to 0356 but with 34 oz (1.0 L) capacity. Overall height: 10" (254 mm).



V-321 LOW-PROFILE RETROFIT SOAP VALVE

ABS plastic body and rectangular push-button. Internal parts are ABS plastic and stainless steel that will not corrode when exposed to soaps, lotions or detergents. Suitable for antimicrobial soaps.

V-320 RETROFIT SOAP VALVE

Similar to V-321 except for chrome-plated brass housing and circular push-button.



0349 FOOT OPERATED SURGICAL SOAP DISPENSER

Pneumatic pump mechanism, 32 ounce (.9 L) polyethylene container. Free turning spout is type 316 stainless steel. 96" (245 mm) long vinyl tubing attaches to anti-slip foot pump. Dispenses surgical soaps, antiseptic solutions and synthetic detergents. Overall size: 4¹/₂" x 11¹/₂" x 9" (115 x 290 x 230 mm) spout projection.



0350 SURGICAL SOAP DISPENSER

Dispenses antiseptic solutions and synthetic detergent soaps. Chrome plated brass bracket. Capacity: 16 ounces (0.5 L) white polyethylene globe.
Overall height: 6¹/₂" (165 mm).

SOAP DISPENSERS & SYSTEMS

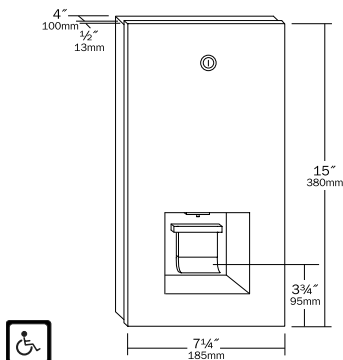


5001-SS CARTRIDGE SOAP DISPENSER
 Surface mounted, stainless steel, satin finish door has piano hinge and lock. Body 16 gauge, door 22 gauge. New cartridge and valve with each refill.
 Overall size: 4¼" x 11" x 4" (110 x 280 x 100 mm).



0378 SURFACE MOUNTED GRAVITY SOAP TANK
 Tank is mounted over a concealed wall plate. Leakproof positive-acting soap level indicator on front of tank.
 Capacity: 2 gal. (7.6 L) ¾" female coupling.
 Overall size: 12⅞" x 10" x 5¾" (330 x 255 x 145 mm).

0377 SURFACE MOUNTED RESERVOIR SOAP TANK
(Not Shown) Similar to 0378. Capacity: 1 (3.8 L) gallon.
 Overall size: 9⅞" x 8¼" x 4⅜" (250 x 210 x 110 mm).



Wall Opening: 5¼" x 13½" x 4¼"
 (145 x 345 x 110 mm)

5002 CARTRIDGE SOAP DISPENSER
 Similar to 5001-SS except recessed.



0375 DECK MOUNTED SOAP VALVE FOR GRAVITY SOAP SYSTEM
 Chrome plated brass body with stainless steel and brass internal mechanism. Male ½-14 NPSM-2A. Mounting hole should accommodate 27/32" (21 mm) diameter shank. Spout: 4" (100 mm) long.



2001 SOAP DISPENSER
 Sturdy ABS plastic, dispenses liquid soaps, detergent and viscous liquids. Capacity: 32 ounces (0.95 L) Size: 4½" x 9¼" x 3¾" (115 x 235 x 95 mm).



0353 HORIZONTAL VALVE FOR GRAVITY SOAP SYSTEM
 Chrome plated brass liquid soap valve. Female ¾" NPT. Projects 3½" (90 mm).

FEMININE HYGIENE VENDORS



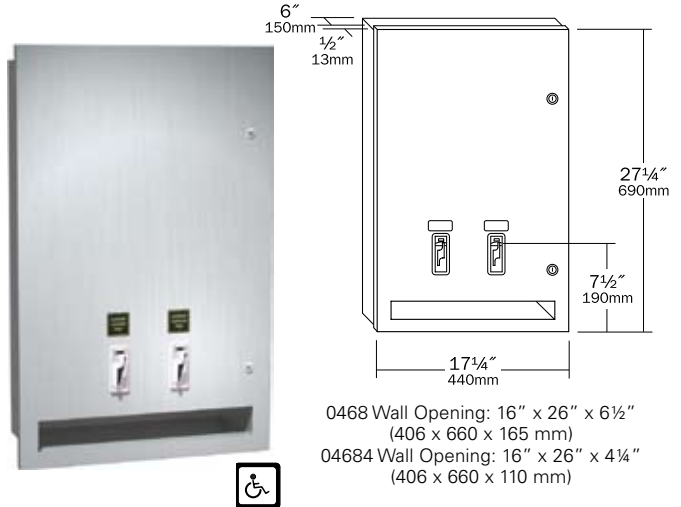
Fully recessed, semi-recessed and surface mounted with a wide variety of capacities

Fabricated of type 304 stainless steel throughout with satin finish on all exposed surfaces

Doors are 18 gauge, secured with concealed full length stainless steel hinges

Coin boxes are keyed separately from door locks for maximum security

Coin-mechanism available for 25¢, 50¢ or free operation

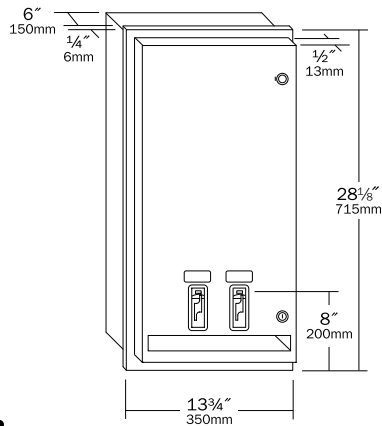


0468 Wall Opening: 16" x 26" x 6 1/2"
(406 x 660 x 165 mm)
04684 Wall Opening: 16" x 26" x 4 1/4"
(406 x 660 x 110 mm)

0468 RECESSED SANITARY NAPKIN/TAMPON VENDOR
Dispenses 30 napkins and 27 tampons.

0468-2 (Not Shown) Similar to 0468, but with stainless steel collar for semi-recessing in 4" (102 mm) walls.

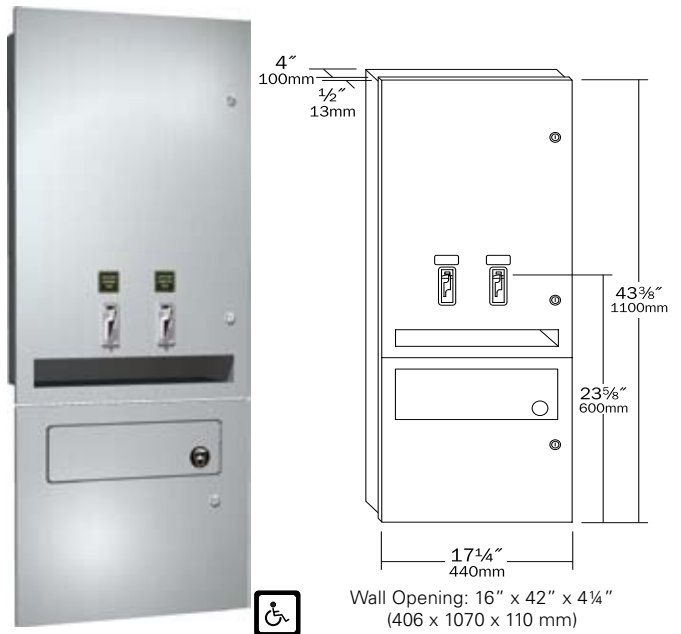
04684 RECESSED DUAL NAPKIN/TAMPON DISPENSER (Not Shown) Similar to 0468, but designed for 4" (102 mm) wall. Dispenses 15 napkins, 23 tampons.



Wall Opening: 12 1/2" x 26 5/8" x 1" to 6"
(320 x 680 x 26 to 152 mm)

0464 RECESSED SANITARY NAPKIN/TAMPON VENDOR
Dispenser includes two dispensing mechanisms, one for 27 tampons, the other for 30 feminine napkins. Furnished with an adjustable flange for recessing in wall depths from 1" to 6" (26 to 152 mm).

0864 (Not Shown) Similar to 0464, except surface mounted.



Wall Opening: 16" x 42" x 4 1/4"
(406 x 1070 x 110 mm)

04684-TM RECESSED SANITARY NAPKIN/TAMPON VENDOR WITH DISPOSAL

Ideal for one toilet washrooms. Has two dispensing mechanisms and removable disposal with self-closing door which can be emptied without opening dispenser unit. Dispenses 15 napkins, 23 tampons.

04684-TM-9 Similar to 04684-TM except surface mounted with stainless steel collar.

COMBINATION UNITS



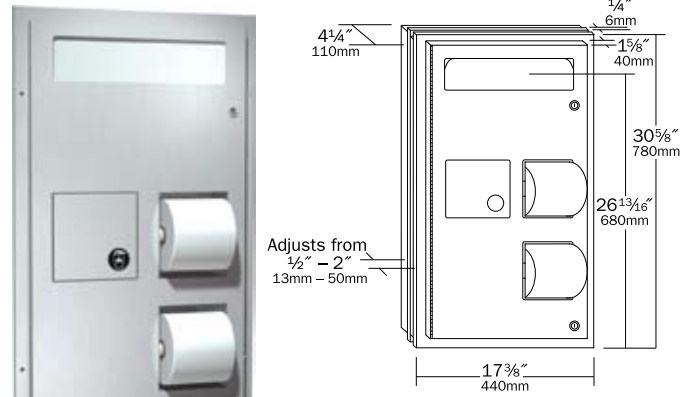
Combination toilet tissue and seat cover dispensers with sanitary disposals

Mounts through partitions serving two compartments; adjustable flange accommodates partitions $\frac{1}{2}$ " to $3\frac{3}{4}$ " (13 to 95 mm) thick

Wall-recessed and surface-mounted units also available

Meets barrier-free accessibility guidelines

Toilet tissue dispenser accommodates $5\frac{1}{4}$ " (135 mm) diameter, 1800 sheet rolls



0481 Partition Opening: $15\frac{1}{2}$ " x $28\frac{7}{8}$ " (395 x 735 mm)
0482 Wall Opening: 16 " x $29\frac{1}{4}$ " x $4\frac{1}{4}$ " (405 x 745 x 110 mm)

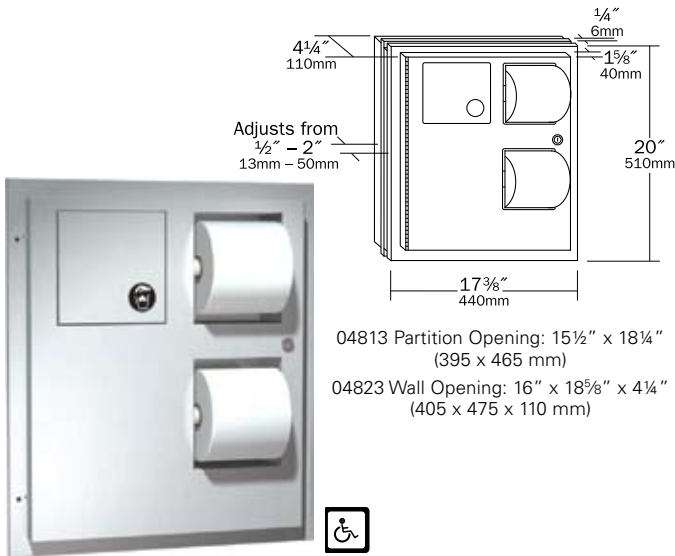
0481 DUAL ACCESS SEAT COVER AND TOILET TISSUE DISPENSER WITH SANITARY DISPOSAL

Mounts through partition usable by both sides but serviced from one side. Holds 1000 seat covers and 4 rolls of toilet tissue.

0481-HC (Not Shown) Similar to 0481, but one side mounts flush on barrier-free compartment side to allow grab bar clearance.

0482 (Not Shown) Similar to 0481 for end wall installation. Holds 1000 seat covers and 2 rolls of toilet tissue.

0483 (Not Shown) Similar to 0482, but with stainless steel collar for surface mounting.



04813 Partition Opening: $15\frac{1}{2}$ " x $18\frac{1}{4}$ " (395 x 465 mm)
04823 Wall Opening: 16 " x $18\frac{5}{8}$ " x $4\frac{1}{4}$ " (405 x 475 x 110 mm)



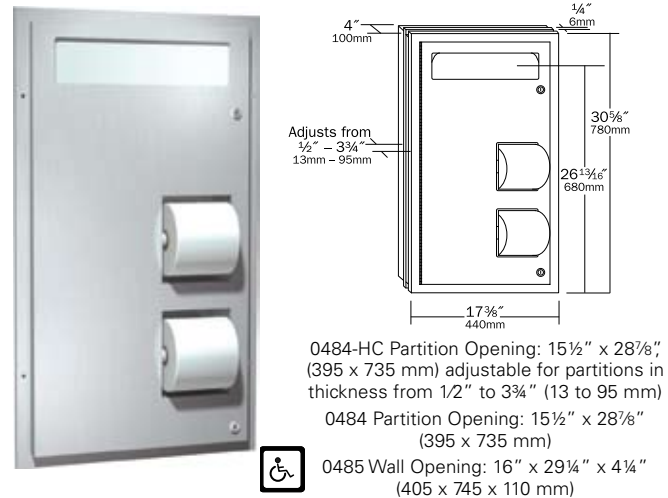
04813 DUAL ACCESS TOILET TISSUE DISPENSER WITH NAPKIN DISPOSAL

Mounts through partition, usable by both sides but serviced from one side. Holds 4 rolls of toilet tissue.

04813-HC (Not Shown) Similar to 04813, but one side mounts flush on barrier-free compartment side to allow grab bar clearance.

04823 (Not Shown) Similar to 04813 for end stall installation. Holds 2 rolls of toilet tissue.

04833 (Not Shown) Similar to 04823, but with stainless steel collar for surface mounting.



0484-HC Partition Opening: $15\frac{1}{2}$ " x $28\frac{7}{8}$ " (395 x 735 mm) adjustable for partitions in thickness from $1/2$ " to $3/4$ " (13 to 95 mm)
0484 Partition Opening: $15\frac{1}{2}$ " x $28\frac{7}{8}$ " (395 x 735 mm)
0485 Wall Opening: 16 " x $29\frac{1}{4}$ " x $4\frac{1}{4}$ " (405 x 745 x 110 mm)

0484-HC DUAL ACCESS SEAT COVER AND TOILET TISSUE DISPENSER

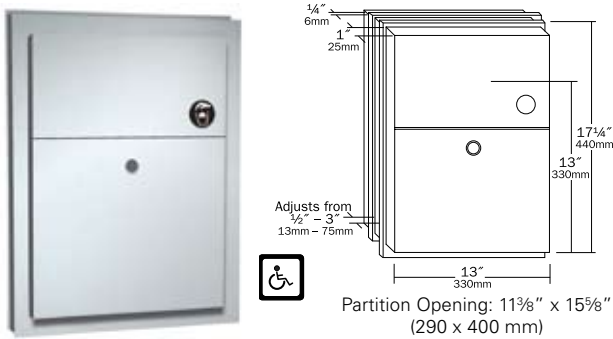
One side mounts flush to partition of barrier-free side to allow for grab bar. Usable by both sides but serviced from one side. Holds 1000 seat covers and 4 rolls of toilet tissue.

0484 (Not Shown) Similar to 0484-HC, but mounts centered through partition. Dispenses 4 rolls of toilet tissue and 1,000 paper toilet seat covers.

0485 (Not Shown) Similar to 0484 for end stall installation. Holds 1000 seat covers and 2 rolls of toilet tissue.

0486 (Not Shown) Similar to 0485, but with stainless steel collar for surface mounting.

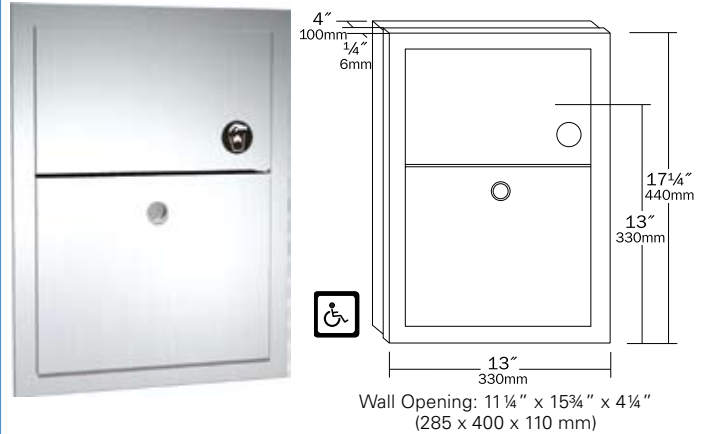
DISPOSALS AND DISPENSERS



0472 PARTITION MOUNTED DUAL ACCESS NAPKIN DISPOSAL

Unit serves two compartments mounted in partitions. Receptacle removable from one side for servicing and locks to back of cabinet by means of stainless steel clips. Self-closing doors on each side are mounted to cabinet with heavy duty full length piano hinge.

0472-1 (Not Shown) Similar to 0472, but has tumbler lock for servicing.



0473 RECESSED SANITARY NAPKIN DISPOSAL
Similar to 0472, but recessed for side wall installation.

0473-1 (Not Shown) Similar to 0473, but has tumbler lock for servicing.



0473-A END STALL SANITARY DISPOSAL SURFACE MOUNTED

Similar to 0473, but surface mounted.

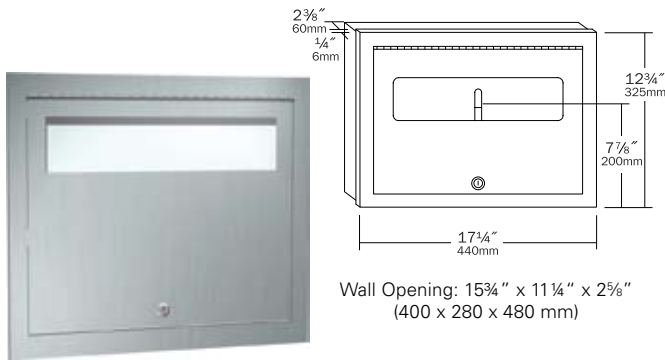
0473-1A (Not Shown) Similar to 0473-A, but has tumbler lock for servicing.



0852 SURFACE MOUNTED SANITARY NAPKIN DISPOSAL

Sloping cover has full length piano hinge. Overall size: 7 1/2 inches x 10 inches x 3 7/8 inches (190 x 255 x 95 mm).

0852-SH (Not Shown) Similar to 0852, but has 16 gauge utility shelf.



0477 RECESSED TOILET SEAT COVER DISPENSER

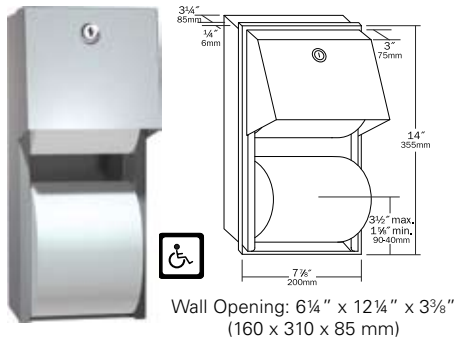
Door has tumbler lock, dispenses 500 single or half-fold seat covers.



0477-SM SURFACE MOUNTED TOILET SEAT COVER DISPENSER

Dispenses 250 single or half-fold seat covers. Overall size: 15 3/4 inches x 11 1/4 inches x 2 5/8 inches (400 x 285 x 67 mm).

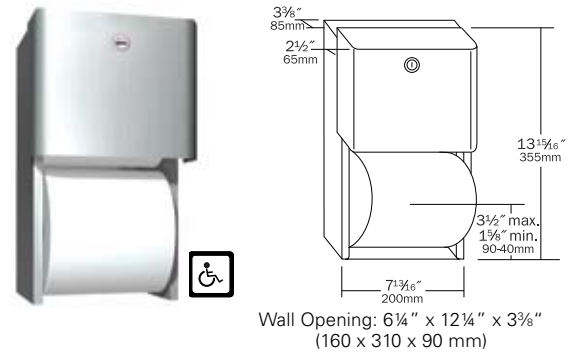
TOILET TISSUE DISPENSERS



0030 SURFACE MOUNTED DUAL ROLL TOILET TISSUE DISPENSER

Holds two rolls up to 5 1/4" (135 mm) diameter (1800 sheets). Top roll automatically drops in place when bottom roll is used up. Type 304 stainless steel cabinet and mechanism. Theft resistant spindles. Overall size: 6" x 12" x 6 1/2" (150 x 300 x 165 mm).

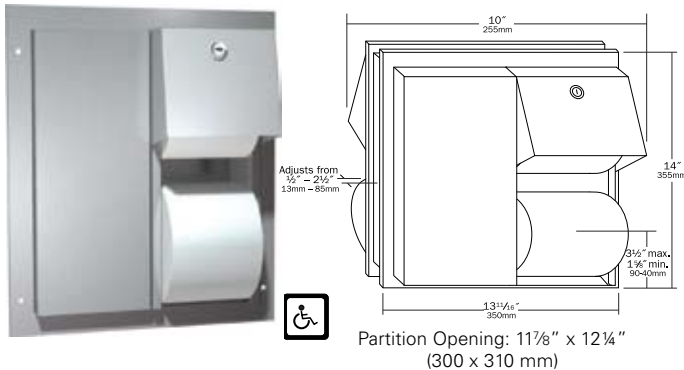
0031 RECESSED DUAL ROLL TOILET TISSUE DISPENSER
Similar to 0030, but provided with flange for recess mounting.



9030 SURFACE MOUNTED DUAL ROLL TOILET TISSUE DISPENSER

Holds two rolls up to 5 1/4" (135 mm) diameter (1800 sheets). Top roll automatically drops in place when bottom roll is used up. Type 304 stainless steel cabinet and mechanism. Theft resistant spindles. Overall size: 6" x 12" x 6 1/2" (150 x 300 x 165 mm).

9031 (Not Shown) Similar to 9030, except with flange for recessing.



0032 DUAL ACCESS PARTITION MOUNTED DUAL ROLL TOILET TISSUE DISPENSER STAINLESS STEEL
Same function as 0031, but serves two toilet compartments by mounting through partition. Dispenses 4 toilet tissue rolls. Adjustable to accommodate partitions from 1/2" to 1 1/4" thick (13 to 32 mm).



0040 SURFACE MOUNTED TWIN 9" JUMBO ROLL TOILET TISSUE DISPENSER

Holds two 9" (230 mm) diameter rolls of 2 1/4" or 3" (57 or 76 mm) diameter core. When one roll is depleted, slide panel to expose other roll. Door cabinet and mounting plate fabricated of 18 gauge type 304 stainless steel with a satin finish. Two viewing slots reveal toilet tissue rolls inside. Equipped with tumbler lock. Overall size: 20 13/16" x 11 3/8" x 6 3/16" (530 x 290 x 160 mm).



0262 SURFACE MOUNTED FOLDED TOILET TISSUE CABINET

22 gauge type 304 stainless steel with satin finish, provided with tumbler lock and view slot. Unit accommodates 1300 single or double fold toilet tissues. Overall size: 4 3/4" x 8 1/4" x 3" (120 x 210 x 76 mm).



0042 SURFACE MOUNTED JUMBO ROLL TOILET TISSUE DISPENSER

Holds one roll up to 10" (254 mm) diameter of 1 5/8" or 2 1/4" (41 or 57 mm) diameter core. Outer cabinet is type 304 stainless steel with a satin finish. Unit has viewing slot and tumbler lock. Overall size: 10 5/8" x 4 1/2" (270 x 115 mm).

TOILET TISSUE DISPENSERS



0264-1 DOUBLE ROLL TOILET TISSUE DISPENSER

Heavy-duty cast aluminum, satin matte silver-gray finish. No waste rocking action spindles of cyclac ABS thermoplastic. Holds two rolls up to 6" (150 mm) diameter (2000 sheets). Overall size: 13" x 1¾" x 4¾" (330 x 45 x 120 mm).

0264-12 (Not Shown) Similar to 0264-1, but with vandal resistant spindle locked into place by concealed set screw.

0264-1A (Not Shown) Similar to 0264-1, except without controlled delivery.

0264-1A2 (Not Shown) Similar to 0264-12, except without controlled delivery.



0697-GAL STAINLESS STEEL SHELF AND DOUBLE TOILET TISSUE HOLDER

Shelf, 18 gauge type 304 stainless steel satin finish with front edge hemmed. Holds two 1800 sheet toilet tissue rolls. Overall size: 18" x 5" (460 x 130 mm).



0263-1 SINGLE ROLL TOILET TISSUE DISPENSER

Similar to 0264-1, except single roll toilet tissue dispenser. Overall size: 6⅞" x 1¾" x 4¾" (167 x 44 x 120 mm).

0263-12 (Not Shown) Similar to 0264-12, except single roll toilet tissue dispenser.

0263-1A (Not Shown) Similar to 0264-1A, except single roll toilet tissue dispenser.



7305-B* SINGLE SURFACE MOUNTED TOILET PAPER HOLDER STAINLESS STEEL

Type 304 bright finish stainless steel with chrome-plated roller. Heavy gauge concealed bracket mounts on wall secured with stainless steel set screw. Holds 1800 sheet standard core roll. Unit: 7¾" wide (200 mm).

7305-S* (Not Shown) Similar to 7305-B, but with satin finish.

7305-2B* DOUBLE SURFACE MOUNTED TOILET TISSUE HOLDER STAINLESS STEEL

Similar to 7305-B, but holds two 1800 sheet standard core paper rolls. Unit: 13½" wide (345 mm).

7305-2S* (Not Shown) Similar to 7305-B, but with satin finish.

*For theft-resistant spindle, add R009 after model number



0267 VANDAL RESISTANT HOOD

14 gauge satin finish stainless steel for use only with 0264-1 (specified and purchased separately).

0266 (Not Shown) Similar to 0267, but for use only with 0263-1 (specified and purchased separately).



0715 DOUBLE SURFACE MOUNTED TOILET TISSUE HOLDER CHROME-PLATED STEEL

Provided with vandal resistant locking device and mechanism to provide controlled delivery. High polish finish. Dispenses two standard or 1800 sheet toilet tissue rolls. Overall size: 12⅜" x 2¾" x 4¼" (315 x 70 x 110 mm).

0710 (Not Shown) Similar to 0715, but dispenses one standard or 1800 sheet toilet tissue roll. Overall size: 6" x 2¾" x 4¼" (150 x 70 x 110 mm).

TOILET TISSUE DISPENSERS



Wall opening: 5½" x 5½" x 4"
(140 x 140 x 100 mm)

7403 EXTRA ROLL RECESSED TOILET TISSUE HOLDER
Spring loaded chrome roller. Extra roll stored behind roll in use. Overall size: 6¼" x 6¼" (160 x 160 mm).

Model	Description
7403-B	Spare Roll Toilet Tissue Holder - Rec., Bright St. Stl.
7403-S	Spare Roll Toilet Tissue Holder - Rec., Satin St. Stl.

****NOTE:** If drywall installation is required, add suffix "D" to model number. If wetwall installation is required, add suffix "W" to model number (no clamp is required for wetwall).



R009 THEFT-RESISTANT SPINDLE

Note: R009 Theft-resistant spindle is available for any toilet tissue holder indicated with an asterisk, by adding R009 suffix after model number.



7303 EXTRA ROLL TOILET TISSUE HOLDER

Extra roll of paper is placed over the horn type holder. Stainless steel set screw on bottom of flange locks unit to mounting plate.



Wall Opening: 5½" x 5½" x 2"
(140 x 140 x 50 mm)

7402 RECESSED TOILET TISSUE HOLDER
Spring loaded chrome roller.
Overall size: 6¼" x 6¼" (160 x 160 mm).

Model	Description
7402-B**	Toilet Tissue Holder (Single) - Rec., Bright St. Stl.
7402-S**	Toilet Tissue Holder (Single) - Rec., Satin St. Stl.
7402-HB**	Toilet Tissue Holder w/Hood (Single) - Rec., Bright St. Stl.
7402-HS**	Toilet Tissue Holder w/Hood (Single) - Rec., Satin St. Stl.
7402-HBSM	Toilet Tissue Holder w/Hood (Single) - Surf. Mtd., Bright St. Stl.
7402-HSSM	Toilet Tissue Holder w/Hood (Single) - Surf. Mtd., Satin St. Stl.
7402-BSM	Toilet Tissue Holder (Single) - Surf. Mtd., Bright St. Stl.
7402-SSM	Toilet Tissue Holder (Single) - Surf. Mtd., Satin St. Stl.

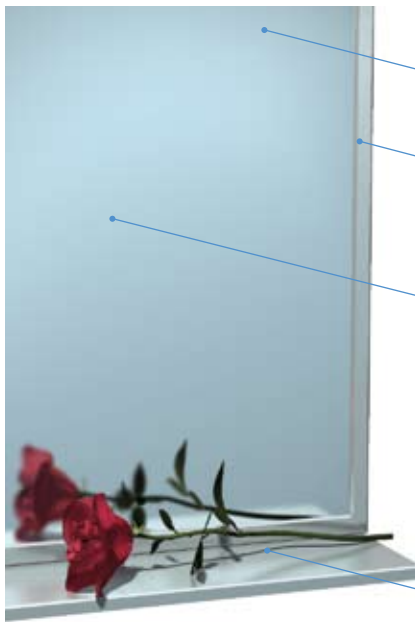


Wall Opening: 11¾" x 5¼" x 2"
(300 x 135 x 50 mm)

74022 DOUBLE TOILET TISSUE HOLDER WITH HOOD
Overall size: 12½" x 6¼" (320 x 160 mm).

Model	Description
74022-B**	Toilet Tissue Holder (Double) - Rec., Bright St. Stl.
74022-S**	Toilet Tissue Holder (Double) - Rec., Satin St. Stl.
74022-BSM	Toilet Tissue Holder (Double) - Surf. Mtd. Bright St. Stl.
74022-SSM	Toilet Tissue Holder (Double) - Surf. Mtd. Satin St. Stl.
74022-HB**	Toilet Tissue Holder w/Hood (Double) - Rec., Bright St. Stl.
74022-HS**	Toilet Tissue Holder w/Hood (Double) - Rec., Satin St. Stl.
74022-HBSM	Toilet Tissue Holder (Double) - Surf. Mtd., Bright St. Stl.
74022-HSSM	Toilet Tissue Holder (Double) - Surf. Mtd., Satin St. Stl.

MIRRORS



Mirror silver guaranteed for 15 years

Type 304 stainless steel angle and channel frame construction

Variety of reflective surfaces and wall mountings

Mirrors for every location, application and budget — virtually any size available

Many with shelves and tilting features



0600T ADJUSTABLE TILT MIRROR
Designed to provide easy visibility for wheelchair patients or return to upright position. Angle frame fabricated of 18 gauge stainless steel with corners welded and ground smooth. Tilts a full 6" (152 mm) with bottom mounted on full width stainless steel piano hinge.

See chart for standard sizes.



0535 FIXED TILT MIRROR
Offers visibility for wheelchair patients. Frame fabricated of 20 gauge stainless steel with a satin finish. Mirror is tapered from 4" (102 mm) at top to 1" (25 mm) at bottom.

0537 FIXED TILT MIRROR WITH SHELF (Not Shown)
Same as 0535 but with shelf 6" (152 mm) deep from wall.



See chart for standard sizes.



0605 STAINLESS STEEL ANGLE FRAME MIRROR WITH SHELF
Similar to 0600, but includes shelf of 18 gauge stainless steel with satin finish and all edges returned and hemmed for maximum rigidity and safety. Shelf is welded to face frame and is 5" (127 mm) wide.

See chart for standard sizes.



0600 ANGLE FRAME MIRROR
3/4" x 5/8" (19 x 16 mm) roll formed 18 gauge type 304 stainless steel angle has corners heliarc welded, ground and polished smooth to a uniform satin finish. Mirror is installed on a concealed hanging bracket that locks onto top and bottom of frame by tamper-proof set screws. Back plate is one piece, attached to frame with theft resistant locking device.

See chart for standard sizes.



0620 CHANNEL FRAME MIRROR
1/2" x 1/2" x 1/2" (13 x 13 x 13 mm) 20 gauge type 304 satin finish stainless steel channel is a one piece roll formed member that encases mirror and backing revealing a tight mitered corner. Mirror is installed on two wall brackets and held secure by theft resistant screw.

See chart for standard sizes.



0625 STAINLESS STEEL CHANNEL FRAME MIRROR WITH SHELF
Similar to 0620, but with 18 gauge stainless steel shelf with satin finish and all edges returned and hemmed for maximum rigidity and safety. Shelf is welded to face frame and is 5" (127 mm) wide.

See chart for standard sizes.



8026 FRAMELESS STAINLESS STEEL MIRROR
Fabricated of 20 gauge type 304 stainless steel polished to a #8 mirror finish with a ¼" (6 mm) return. Provided with ¼" (6 mm) thick concealed tempered masonite backing and 4 mounting holes. Installer shall provide mounting screws to suit individual field conditions.

See chart for standard sizes.

STANDARD SIZES

Width x Height	0535	0537	0600	0600T	0605	0620	0625	8026
16" x 20" (41 x 51 cm)			X		X	X		X
16" x 24" (41 x 61 cm)			X	X	X	X	X	X
16" x 30" (41 x 76 cm)	X	X	X	X		X		
18" x 24" (46 x 61 cm)	X		X	X	X	X	X	X
18" x 30" (46 x 76 cm)	X	X	X	X	X	X	X	X
18" x 36" (46 x 91 cm)	X	X	X	X	X	X	X	
20" x 60" (51 x 152 cm)			X			X		
24" x 24" (61 x 61 cm)						X		
24" x 30" (61 x 76 cm)	X		X	X	X	X	X	X
24" x 36" (61 x 91 cm)	X		X	X	X	X	X	X
24" x 42" (61 x 108 cm)			X			X		
24" x 48" (61 x 122 cm)			X			X		
24" x 60" (61 x 152 cm)			X			X		
24" x 72" (61 x 183 cm)			X					
30" x 36" (76 x 91 cm)			X			X		
30" x 48" (76 x 122 cm)						X		
36" x 36" (91 x 91 cm)			X		X	X		
36" x 48" (91 x 122 cm)						X		
48" x 30" (122 x 76 cm)			X		X	X		
48" x 36" (122 x 91 cm)			X		X	X	X	
60" x 24" (152 x 61 cm)			X		X	X		
60" x 36" (152 x 91 cm)			X		X	X		
72" x 36" (183 x 91 cm)			X		X	X		

GENERAL

SPECIFICATIONS

Angle frame mirrors shall have a one piece, roll-formed, 18 gauge, type 304 stainless steel angle frame with corners heliarc welded, ground and polished smooth to a uniform satin finish. Select float glass mirror shall be guaranteed for 15 years against silver spoilage.

Channel frame mirrors shall have a one piece, roll-formed, 20 gauge, type 304 satin finish stainless steel channel frame with tightly mitered corners. Select float glass mirror shall be guaranteed for 15 years against silver spoilage.

Other sizes available upon request.

OPTIONAL REFLECTIVE SURFACES

Suffix Description:

- B Tempered Glass — ¼" (6 mm) polished tempered glass.
- C Stainless Steel Mirrors — Type 304 Stainless Steel polished to a #8 mirror finish.
- D Lexan Dura-Mir™ — Fabricated of ¼" (6 mm) polycarbonate sheet.
- E Plexiglas® — ¼" (6 mm) acrylic plastic, lightweight and shatter resistant.
- L Laminated Glass — ¼" (6 mm) thick.

DESIGNERS NOTE: All of the above glazing options are particularly suited to applications where frequent breakage and/or security problems exist. These surfaces are best specified for use in prisons, schools, police stations, psychiatric wards, etc. where shards of broken glass might possibly be used as weapons. The reflective quality of these types of mirrors is not as true as plate glass.

HAND DRYERS



0165 PROFILE™ COMPACT DRYER

FEATURES:

- Quick Drying - Under 30 Seconds
- No Touch - Energy Efficient Operation
- Universal Voltage - Automatically Adjusts
- Modern Design and Durable

Overall Dimensions: (Conforms to ADA)
11 ¼" x 11 ½" x 4" (285 x 290 x 100 mm).

ELECTRICAL SPECIFICATIONS:

Motor: 1/4 HP - 7500 RPM - Brush Type
Voltage: 100-240 – 50/60 Hz
Air Output: 180 CFM - Temp: 140° F (60° C)
Heater: 1620 Watts
Current: 16 Amps @ 120 Vac

COLOR OPTIONS:

Grey (see color chart)
Add suffix to Model Number.
White is standard if no color is indicated.

0141 PORCELAIR HAND DRYER

110-120 Vac 17 Amps

0144 PORCELAIR HAND DRYER

208-240 Vac 11 Amps

FEATURES:

- Quick Drying - Under 30 Seconds
- No Touch - Energy Efficient Operation
- Dries Both Hands and Face

Overall Dimensions: 9 7/16" x 9 41/64" x 6 3/8"
(240 x 245 x 162 mm).

ELECTRICAL SPECIFICATIONS:

Motor: 1/8 HP-3400 RPM - Brushless
Air Output: 150 CFM - Temp 149° F (65° C)
Heater: 1900 Watts @ 110 Vac

COLOR OPTIONS:

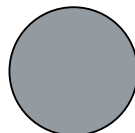
Grey, Black and Almond (see color chart).
Add suffix to Model Number.
White is standard if no color is indicated.



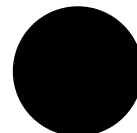
10 YEAR WARRANTY:

All component parts of all dryers shall be warranted to be free of defects in material and workmanship for a period of 10 years, except brushes which are warranted for 3 years.

COLOR OPTIONS (Printing limitations prohibit true color representation.)



40 Grey

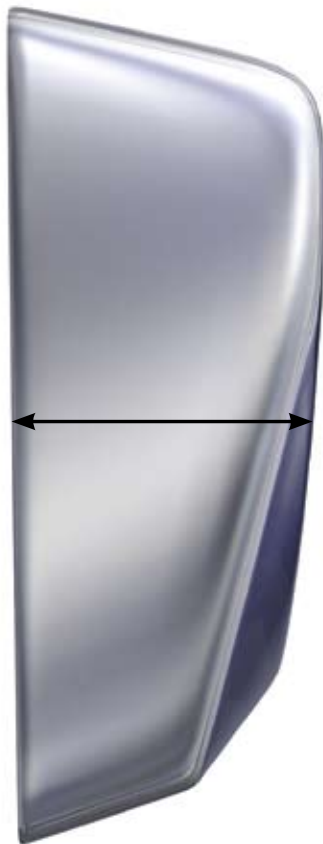


41 Black



11 Almond





**SURFACE
MOUNTED
4" DEEP
ADA
DRYERS**

**0185 PROFILE™ STEEL COVER
WITH PORCELAIN ENAMEL FINISH**

COLOR OPTIONS:

Grey, Black, Almond, Bright and
Satin Stainless Steel (see color chart)
Add suffix to Model Number.
White is standard if no color
is indicated.

PROFILE™ HAND DRYER FEATURES:

- Quick Drying - Under 25 Seconds
- No Touch - Energy Efficient Operation
- Universal Voltage - Automatically Adjusts to Voltages of 100 to 240 VAC - 50/60 Hz.
- Modern Design and Durable

Overall Dimensions: (Conforms to ADA) 11 ¼" x 15" x 4"
(290 x 385 x 100 mm).

ELECTRICAL SPECIFICATIONS:

Motor: ¼ HP - 7500 RPM - Brush Type
Voltage: 100-240 - 50/60 Hz
Air Output: 185 CFM - Temp: 149° F (65° C)
Heater: 2020 Watts
Current: 17.6 Amps @ 120 Vac



**0195 PROFILE™ CAST IRON COVER
WITH PORCELAIN ENAMEL FINISH**

COLOR OPTIONS:

Grey, Black and Almond (see color chart).
Add suffix to Model Number.
White is standard if no color is indicated.



92 Bright
Stainless Steel



93 Satin
Stainless Steel

SPECIFICATIONS

Detailed specifications for all ASI hand dryers are available at
www.americanspecialties.com

STAINLESS STEEL BATHROOM ACCESSORIES



7335 TOOTHBRUSH AND TUMBLER HOLDER
Similar to 7320 Soap Dish. Has 2¼" (60 mm) diameter hole in center of unit to hold tumbler. Accommodates 6 toothbrushes. 4¼" x 2" (110 x 50 mm); projects 4" (100 mm) from wall.



7320 SOAP DISH
Drawn, one-piece soap dish welded to support arm and flange. Has two drain holes and two ridges to support bar of soap. 4¼" (110 mm) wide, 2" (50 mm) high; projects 4" (100 mm) from wall.



7385 TOWEL RING
For bath and hand towels. Ring is 4½" (115 mm) wide, made of ¼" (6 mm) diameter stainless steel bar. Projects 2½" (65 mm) from wall. 5" (125 mm) high.



7301 TOWEL PIN
Extends 3½" (90 mm) from wall.



8425 CLOTHES HOOK
Heavy duty 11 gauge type 304 stainless steel with satin finish. Hook projects 1¼" (32 mm) from wall and is 2¼" (55 mm) high.



7382 HAT AND COAT HOOK
Double hook for both coats and hats, 5¼" x 3" (135 x 75 mm) projection.

GENERAL SPECIFICATIONS:

SERIES 7300 SURFACE MOUNTED STAINLESS STEEL BATHROOM ACCESSORIES
Fabricated of type 304 stainless steel. Accessory posts are welded to a 2" (50 mm) square flange and secured to a heavy gauge stainless steel mounting plate by means of a stainless steel set screw. Traditional, gap-free, easy to clean design.

Specify suffix "B" for bright polished finish or "S" for satin finish.

STAINLESS STEEL BATHROOM ACCESSORIES



7310 TOWEL SHELF WITH TOWEL BAR
8" (200 mm) deep consisting of four $\frac{3}{8}$ " diameter stainless steel tubes, with $\frac{1}{4}$ " (6 mm) diameter stainless steel towel bar below shelf, available 18" (460 mm) and 24" (610 mm). Overall height: 4 $\frac{1}{4}$ " (110 mm); projects 8" (200 mm) from wall.



7340 SINGLE ROBE HOOK
Hook extends 1 $\frac{5}{8}$ " (40 mm) from wall.

7345 DOUBLE ROBE HOOK
4" (100 mm) wide stainless steel bar forms hook at each end. Unit extends 1 $\frac{5}{8}$ " (40 mm) from wall.



7355 TOWEL BAR-ROUND
 $\frac{3}{4}$ " (19 mm) diameter stainless steel towel bar. Available in 18", 24" and 30" (460, 610 & 760 mm) lengths. Extends 3 $\frac{1}{4}$ " (80 mm) from wall.

7360 TOWEL BAR-SQUARE (Not Shown) $\frac{3}{4}$ " (19 mm) stainless steel towel bar. Available in 18", 24" and 30" (460, 610 & 760 mm) lengths. Extends 3 $\frac{1}{4}$ " (80 mm) from wall.



7305 TOILET TISSUE HOLDER-SINGLE ROLL
Furnished with chrome-plated plastic rollers. Unit measures 2" (50 mm) high, 7 $\frac{3}{4}$ " (200 mm) wide, projects 3 $\frac{7}{8}$ " (100 mm) from wall. Holds 1800 sheet standard core roll.

7305-2 Similar to 7305, but for two 1800 sheet standard core rolls, 13 $\frac{1}{2}$ " (340 mm) wide.



7380 STAINLESS STEEL SHELF
Available in 18" and 24" (460 & 610 mm) lengths. Shelf, 5" (125 mm) wide, extends 6 $\frac{1}{8}$ " (155 mm) from wall. Edges are roll-formed for safety.



7311 TOWEL SHELF WITH TOWEL BAR
Heavy duty unit with $\frac{3}{4}$ " and $\frac{3}{8}$ " diameter type 304 stainless steel tubing. Bright finish only. Available 20" (510 mm) and 24" (610 mm). Overall height: 6 $\frac{1}{2}$ " (165 mm); projects 8" (200 mm).

STAINLESS STEEL BATHROOM ACCESSORIES



Wall opening: 5½" x 5½" x 2"
(140 x 140 x 50 mm)

7404 RECESSED SOAP DISH

Raised lip to retain soap.

Overall size: 6¼" x 6¼" (160 x 160 mm).



Wall Opening: 5½" x 5½" x 2"
(140 x 140 x 50 mm)

7402 RECESSED TOILET TISSUE HOLDER

Spring loaded chrome roller.

Overall size: 6¼" x 6¼" (160 x 160 mm).



Wall opening: 5½" x 5½" x 2"
(140 x 140 x 50 mm)

7410 RECESSED SOAP DISH AND BAR

Same as 7404, but with ¾" bar.

Overall size: 6¼" x 6¼" (160 x 160 mm).



Wall Opening: 11¾" x 5¼" x 2"
(300 x 135 x 50 mm)

74022 DOUBLE TOILET TISSUE HOLDER

Overall size: 12½" x 6¼" (320 x 160 mm).

74022-H (Not Shown) Same as 74022 but with hood.

74022-HSM (Not Shown) Same as 74022-H but surface mounted.

74022-SM* (Not Shown) Same as 74022 but surface mounted.

*For theft-resistant spindle, add R009 after model number



Wall opening: 5½" x 5½" x 4"
(140 x 140 x 100 mm)

7403 EXTRA ROLL RECESSED TOILET TISSUE HOLDER

Spring loaded chrome roller.

Overall size: 6¼" x 6¼" (160 x 160 mm).



Wall Opening: 6⅞" W x 4⅞" H x 4" D
(155 W x 105 H x 100 D mm)

0398 RECESSED HEAVY DUTY STAINLESS STEEL SOAP DISH AND BAR

Type 304 stainless steel, exterior, bright polished finish; interior, sand blasted finish. Includes mounting clamp for stud walls. Overall size: 7⅞" x 5" (180 x 130 mm).

0399 (Not Shown) Similar to 0398, but with anchor lugs for embedding in cement.

0400 (Not Shown) Similar to 0398, but without bar.

0401 (Not Shown) Similar to 0400, but with anchor lugs for embedding in cement.

BATHROOM ACCESSORIES



0258-SS SURFACE MOUNTED FACIAL TISSUE DISPENSER
Cabinet type 304 stainless steel, satin finish. Dispenses 300 single or 150 two-ply sheets.
Overall size: 10¹⁵/₁₆" x 5" x 2¹/₈" (260 x 125 x 55 mm).



0259-SS Wall Opening: 11³/₈" x 5¹/₈" x 2¹/₈"
(290 x 130 x 60 mm)
0259-B Wall Opening: 11³/₈" x 5¹/₈" x 2¹/₈"
(290 x 130 x 60 mm)
02594-B Wall Opening: 11³/₈" x 5¹/₈" x 4¹/₈"
(290 x 130 x 105 mm)
02594-SS Wall Opening: 11³/₈" x 5¹/₈" x 4¹/₈"
(290 x 130 x 105 mm)

0259-SS RECESSED FACIAL TISSUE DISPENSER
Dispenses 300 single ply or 150 double-ply tissue.
Faceplate type 304 stainless steel satin finish.
Overall size: 11¹/₁₆" x 6³/₈" (300 x 160 mm).

0259-B (Not Shown) Same as 0259-SS except faceplate is bright polished stainless steel.

02594-B (Not Shown) Similar to 0259-B, but deeper, capacity 600 single sheet or 300 two ply sheets.

02594-SS (Not Shown) Similar to 02594-B, but satin finish.



0711-B BOTTLE OPENER
One piece, 16 gauge type 304 stainless steel with bright finish. Projects 1¹/₁₆" (27 mm) from wall, 2" (50 mm) wide x 2¹/₄" (55 mm) high.

0711 (Not Shown) Same as 0711-B except satin finish.



0712 SURFACE MOUNTED RETRACTABLE CLOTHES LINE
Polished stainless steel unit has spring actuated 6 foot (150 mm) vinyl cord with white vinyl knob and locking nut to hold stretched line taut. Installs over bathtub or in shower.



0755-SS HEAVY DUTY STAINLESS STEEL TOWEL BAR
Towel bar fabricated of 1" (25 mm) O.D. x 20 gauge, type 304 stainless steel with a satin finish and designed not to turn in support posts. Support posts fabricated of heavy brass with satin finish to match stainless steel. Available in 18", 24", 30" and 36" (460, 610, 760 and 915 mm) lengths.



0707 WASH CLOTH, BATH AND HAND TOWEL HOLDER
Holds 3 sets of bath towels, hand towels and wash cloths 17" high (430 mm). Unit is surface mounted and fabricated of 1/4" (6 mm) diameter wire with a polished chrome finish.

0706 (Not Shown) 2 sets of bath towels, hand towels and wash cloths 11" (280 mm) high.

0708 (Not Shown) 4 sets of bath towels, hand towels and wash cloths 21" high (535 mm).

STAINLESS STEEL BATHROOM ACCESSORIES



0002-SM STAINLESS STEEL SURFACE MOUNTED PAPER CUP DISPENSER
Dispenses 100 flat bottom cups.
Adjustable for 3 oz. thru 6 oz. cups.
Stainless steel with bright finish.
Overall size: 3" Dia. x 15"
(75 x 380 mm).

0002-ASM STAINLESS STEEL SURFACE MOUNTED PAPER CUP DISPENSER *(Not Shown)* Similar to 0002-SM, but square design with swing down door, type 304 stainless steel, satin finish. Dispenses 3 oz. cups only.



0719 DOOR BUMPER
Chrome-plated 2 $\frac{3}{16}$ " (55 mm) dia. flange. Projects 1 $\frac{7}{8}$ " (50 mm).



0714 COAT AND BUMPER HOOK
Chrome-plated 3" (75 mm) projection. Rubber bumper protects wall surface.



0751 HEAVY DUTY ROBE HOOK
Concealed mounting satin chrome-plated brass, 3 $\frac{1}{4}$ " (80 mm) projection.

0751-A *(Not Shown)* Similar to 0751, but exposed mounting, satin chrome-plated brass 3 $\frac{1}{4}$ " (80 mm) projection.

GENERAL SPECIFICATIONS

7400 SERIES RECESSED STAINLESS STEEL BATH ACCESSORIES

Shell and flange shall be drawn, one-piece seamless construction, 22 gauge type 304 stainless steel. If drywall installation is required, add suffix "D" to model number. If wetwall installation is required, add suffix "W." Specify suffix "B" for bright polished finish or "S" for satin finish.

ZAMAC BATHROOM ACCESSORIES



0740-Z SINGLE ROBE HOOK



0745-Z DOUBLE ROBE HOOK



0705-Z TOILET PAPER HOLDER



0721-Z SOAP DISH WITHOUT DRAIN

0720-Z (*Not Shown*) SOAP DISH WITH DRAIN



0735-Z TOOTHBRUSH & TUMBLER HOLDER



0760-Z SQUARE TOWEL BAR
18", 24", 30" and 36" (460, 610, 760 and 915 mm) long.

0755-Z ROUND TOWEL BAR (*Not Shown*) 18", 24", 30" and 36" (460, 610, 760 and 915 mm) long.



0785-Z TOWEL RING



Wall Opening: 5¼" x 5¼" x 2"
(135 x 135 x 50 mm)

0402-Z RECESSED TOILET
TISSUE HOLDER



Wall Opening: 5¼" x 5¼" x 1½"
(135 x 135 x 40 mm)

0410-Z RECESSED SOAP
DISH WITH BAR

GRAB BARS

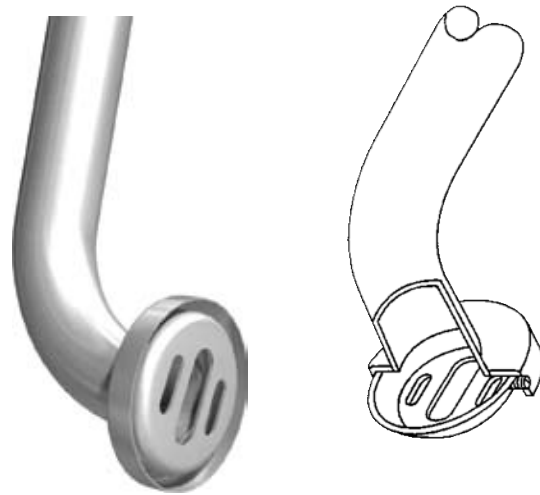


In compliance with strength requirements of ADA guidelines

Bars fabricated of satin finish 18 gauge type 304 stainless steel tubing. Available peened or smooth

Mandrell bending process ensures uniform bar diameters

Heliarc welding forms a single structural unit



CONCEALED MOUNTING

3100 Series — 1 1/4" (32 mm) O.D.

3200 Series — 1 1/2" (38 mm) O.D.

- Flange is 3" (76 mm) diameter, 1/2" (13 mm) deep, 11 gauge type 304 stainless steel with satin finish.
- Tenon plate is 13 gauge with slotted screw holes.
- Flange is secured to concealed tenon plate with three stainless steel allen head screws.

GRAB BAR CONFIGURATIONS

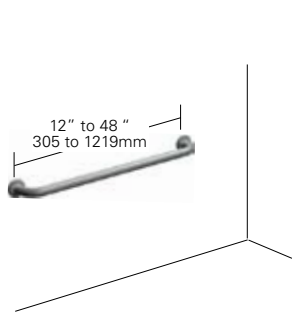
The following standard shapes are typical configurations. Grab bars can be custom designed and manufactured to meet any specific architectural requirement.

Designers Note:

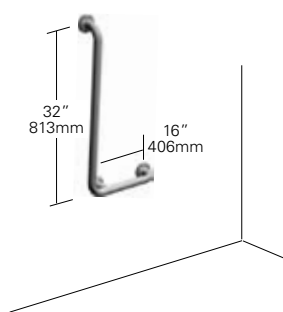
For a non-slip surface, specify suffix "P" (peened). When specifying grab bars insert the configuration type numbers listed on pages 40 and 41 into the double zeros at the end of the grab bar series number.

Example 1: A 1 1/2" (38 mm) concealed 18" x 33" (460 x 840 mm) horizontal grab bar has a model number — 3274. When a special size is needed add suffix "M" plus the size, to the closest standard bars.

Example 2: A 1 1/2" (38 mm) concealed 23" x 37" (585 x 940 mm) horizontal grab bar has a model number 3274-M2337.

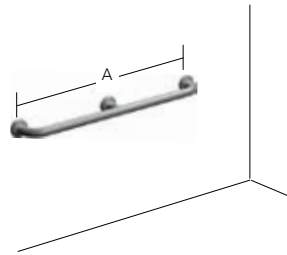


Type - 01

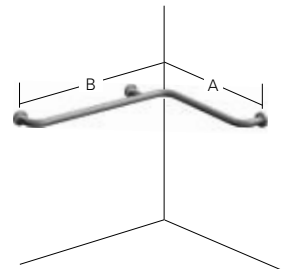


Type - 04

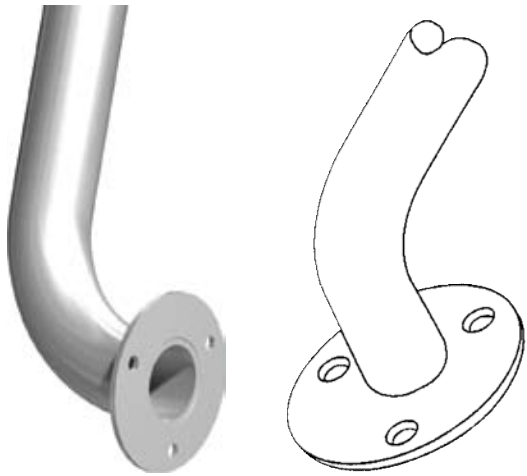
Left hand shown, right hand opposite



- Type - 02** A = 52" (1321 mm)
 A = 54" (1372 mm)
 A = 60" (1524 mm)
 A = 72" (1829 mm)



- Type - 50** A = 24" (610 mm)
 B = 36" (914 mm)
- Type - 56** A = 36" (914 mm)
 B = 54" (1372 mm)
- Type - 57** A = 42" (1067 mm)
 B = 54" (1372 mm)
- Type - 60** A = 18" (457 mm)
 B = 30" (762 mm)
- Type - 62** A = 15 7/8" (403 mm)
 B = 30 7/8" (784 mm)
- Type - 74** A = 18 1/8" (457 mm)
 B = 33 1/8" (838 mm)

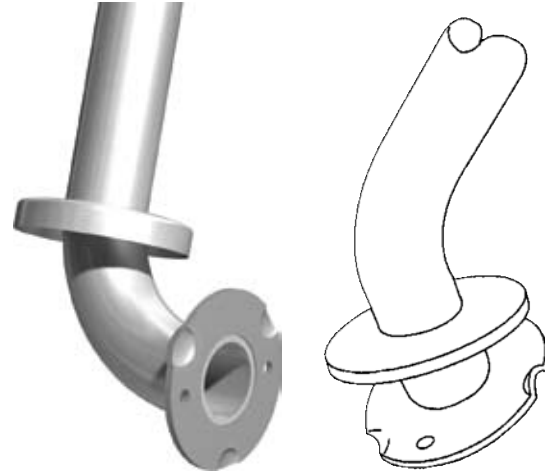


EXPOSED MOUNTING

3400 Series — 1 ¼" (32 mm) O.D.

3500 Series — 1 ½" (38 mm) O.D.

- Flange is 3" (76 mm) diameter, 1/8" (3 mm) thick type 304 stainless steel with a satin finish.
- Exposed mounting screw holes are drilled and countersunk.

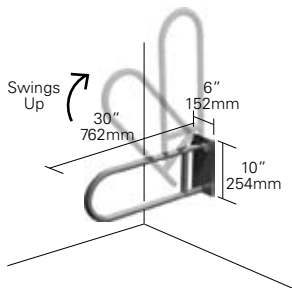


SNAP FLANGE

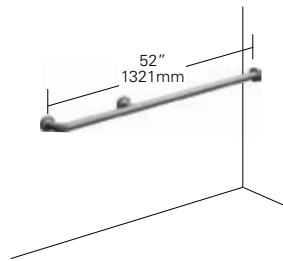
3700 Series — 1 ¼" (32 mm) O.D.

3800 Series — 1 ½" (38 mm) O.D.

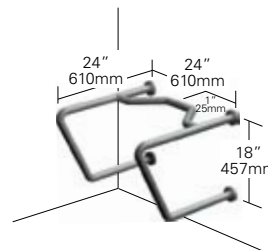
- Cover snaps over mounting flange dimples to conceal screws.
- Concealed mounting flange is 3 1/8" (79 mm) O.D. diameter with two screw holes and three locking dimples and is 1/8" (3 mm) thick, type 304 stainless steel.
- Cover is type 304 stainless steel with satin finish, 22 gauge, 3 3/16" (81 mm) diameter.



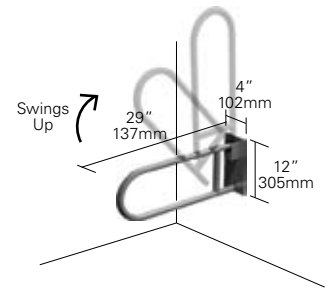
Type - 13



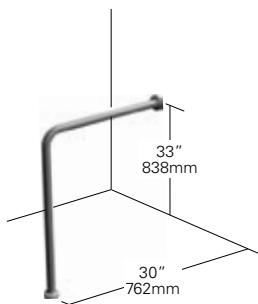
Type - 24



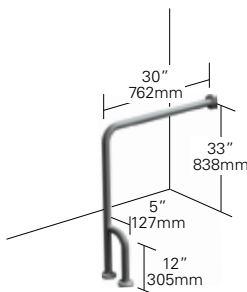
Type - 34



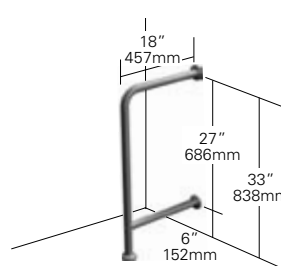
Type - 51



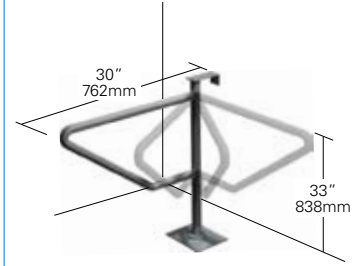
Type - 15



Type - 33
Right hand shown,
left hand opposite



Type - 75



Type - 54

SHOWER SEATS



8203 COMPACT FOLDING SEAT

Seat is 5/16" (8 mm) thick, one piece, solid phenolic, ivory colored. Frame, support legs, flanges and bracket are type 304 satin finished stainless steel. Features a self-locking mechanism. Seat measures 18" (460 mm) wide and projects 16" (405 mm) from wall.

8204 (*Not Shown*) Similar to 8203, but seat is sponge cushion covered with off-white Naugahyde® mounted on 1/2" (13 mm) thick marine grade plywood.

8207 COMPACT FOLDING SEAT Similar 8203, but seat is fabricated of stainless steel, satin finish, slatted design.



8206-L FOLDING SHOWER SEAT

(Left Hand) Meets ADA Accessibility Guidelines and the needs of the physically disabled and elderly. Seat is 1/2" (13 mm) thick, one piece solid phenolic, ivory colored. Frame, support legs, flanges, and bracket are type 304 satin finish stainless steel. Features a reversible self-locking mechanism. Seat measures 33" (840 mm) wide and projects 22 7/8" (580 mm) from wall.

8206-R (*Not Shown*) Similar to 8206-L, but with right hand seat.

Hanging is field-convertible.



8358 FOLDING TUB SEAT

Seat is 1/2" (13 mm) thick, solid phenolic, ivory colored. Frame, mounting bracket and retainer hook are type 304 satin finished stainless steel. Seat is 15" (380 mm) deep and projects 33 3/4" (860 mm) from wall.



8208-R FOLDING SHOWER SEAT Similar to 8206, but seat is fabricated of stainless steel, satin finish, slatted design.

8208-L (*Not Shown*) Similar to 8206-R, but with left hand seat.



0010 CORNER SHOWER SEAT

Seat, support brackets and retainer clip, type 304 satin finish stainless steel. Seat secured to one wall with full length piano hinge; supported on other wall by bracket. Size 15 3/4" x 15 3/4" (400 x 400 mm).



8205-L FOLDING SHOWER SEAT

(Left Hand) Similar to 8206, but seat is sponge cushion covered with off-white Naugahyde® mounted on 1/2" (13 mm) thick, marine-grade plywood.

8205-R (*Not Shown*) Similar to 8205-L, but with right hand seat.

SHOWER RODS



1200-SHU SHOWER CURTAIN HOOK

Stainless steel hook for rods 1" (25 mm) and 1¼" (32 mm) diameter.

1200-V VINYL SHOWER CURTAIN

Flame resistant, anti-bacterial, 8 gauge white vinyl fabric. Standard Height: 72" (1830 mm). Curtain should be 6" (150 mm) wider than opening up to 48" (1220 mm) and 12" (305 mm) wider than openings exceeding 48" (1220 mm).



1204 EXTRA HEAVY-DUTY SHOWER CURTAIN ROD

Flanges 3" (75 mm) diameter, 20 gauge type 304 stainless steel with satin finish. Rod is 1¼" (32 mm) diameter, 18 gauge type 304 stainless steel tubing with satin finish. Available in lengths up to 96" (2440 mm). Special order on longer lengths.



1214 HEAVY-DUTY SHOWER CURTAIN ROD

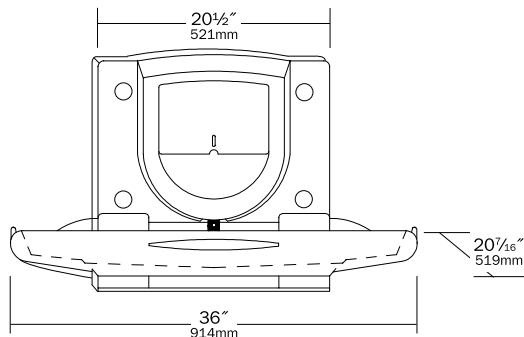
Similar to 1204, but with 20 gauge, 1" (25 mm) diameter rod. Available in lengths up to 72" (1830 mm). For longer lengths, specify 1204.



1224 CONCEALED MOUNTING SHOWER CURTAIN ROD

Flanges are chrome-plated brass with satin finish. Rod is 1" (25 mm) diameter, 20 gauge type 304 stainless steel tubing with satin finish. One flange has set screw to lock rod and prevent rotation. Available in lengths up to 72" (1830 mm). For longer lengths specify 1204.

BABY CHANGING STATIONS

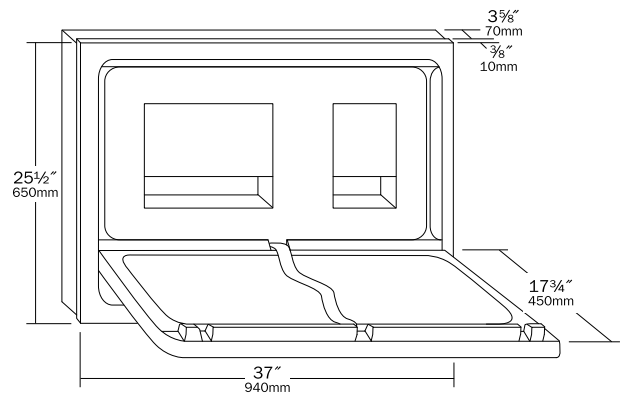


9012 SURFACE MOUNTED BABY CHANGING STATION

Modern styling and easy-to-clean surface is fabricated of 100% high-density polyethylene. Sturdy child protection has 250 lb. (300 kg) load capacity, concave changing surface and safety strap. Easy opening/closing pneumatic mechanism has oversized hinge and safety stop system. Sealed components and absence of "pinch points" promote safe operation. The built-in dispenser for towels or sanitary liners, hooks for diaper bag and purse, plus multi-lingual instructions add friendliness and convenience. Surface mounted. Only 4" deep when closed.

Complies with Handicapped Accessibility codes.

Overall size: Closed: 22 1/4" x 36" x 3 7/8" (570 x 920 x 100 mm). Open: 22 1/4" x 36" x 20 7/16" (570 x 920 x 520 mm).



Wall Opening: 34 1/4" W x 22 3/4" H x 3 3/4" D (870 x 580 x 95 mm)

9013 RECESSED STAINLESS STEEL BABY CHANGING STATION

ADA-compliant unit features welded stainless steel construction for long and reliable use. Exposed surfaces are satin finish. Easy one-handed operation is assisted by a pull handle and concealed damped gas spring. The changing surface is high-impact-resistant plastic with a gloss finish for easy cleaning, and is shaped to cradle a child's body. Its two-part adjustable safety strap and 400 lb. (181 kg) load capacity assures child protection. Bag hooks, built-in bed liner and towel dispensing units and multi-lingual instructions add convenience.

9013-9 (Not Shown) Similar to 9013, but with stainless steel collar for surface mounting.

Complies with Handicapped Accessibility codes.

Overall size: Open: 33 1/2" x 25 1/2" x 17 3/4" (860 x 650 x 450 mm).

SHELVES



0690 SHELF WITH RAISED EDGES

Entire unit is formed of one piece of 18 gauge stainless steel having a $\frac{3}{8}$ " depression with a satin finish.

See chart for standard sizes.

	Model Numbers		
	0690	0692	0694
Standard Sizes:	6" depth (150 mm)	5," 6," or 8" depth (125,150,200 mm)	5" depth (125 mm)
Length			
12" (305 mm)		x	x
16" (410 mm)		x	x
18" (460 mm)	x	x	x
24" (610 mm)	x	x	x
30" (760 mm)		x	x
36" (915 mm)		x	x
48" (1220 mm)		x	x
60" (1520 mm)		x	x
72" (1840 mm)		x	



0692 SHELF

Fabricated of 18 gauge stainless steel with a satin finish. Front edge is hemmed for maximum rigidity and safety.

See chart for standard sizes.



0694 SHELF WITH BACKSPLASH

Fabricated of 18 gauge stainless steel with a satin finish on exposed surfaces. 5" (127 mm) depth.

See chart for standard sizes.



Wall Opening: 16 $\frac{1}{2}$ " x 6 $\frac{1}{2}$ " x 4 $\frac{1}{4}$ "
(420 x 165 x 110 mm).

0412 RECESSED SHELF

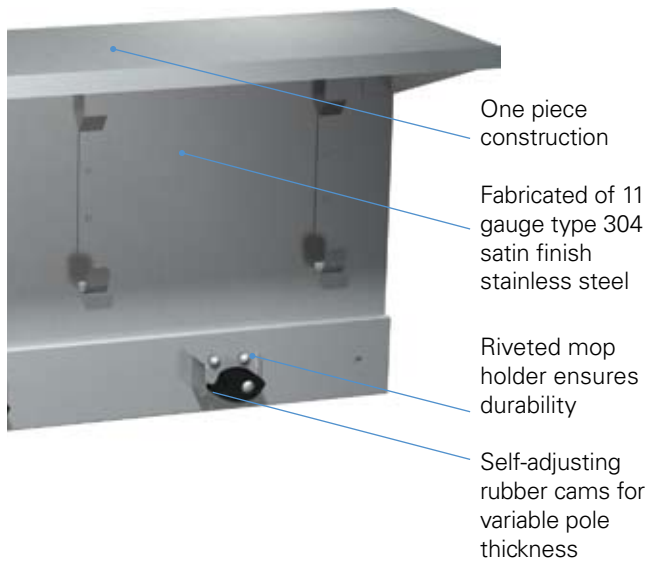
Ideal for hotel bathrooms. Fabricated of 22 gauge, all welded construction, stainless steel with a satin finish.



0698 FOLDING UTILITY SHELF FOR TOILET COMPARTMENTS

Fabricated of 18 gauge type 304 satin finish stainless steel with raised rim. Returns to upright position when not in use. Overall size: 14 $\frac{5}{8}$ " x 5 $\frac{13}{16}$ " (370 x 150 mm).

CUSTODIAL ACCESSORIES



1308 SHELF WITH UTILITY HOOKS AND MOP STRIP

Fabricated of type 304 satin finish stainless steel. Shelf is 8" (200 mm) deep with 3/4" (19 mm) return for rigidity. Mop holders are riveted to strip and rubber cam is ribbed for grasping. Unit is 14 1/2" (370 mm) high.

1308-3 (Shown) 3 mop holders/4 utility hooks 34" (860 mm) long.

1308-4 (Not Shown) 4 mop holders/5 utility hooks, 44" (1120 mm) long.



1307 UTILITY HOOK STRIP

Fabricated of type 304 stainless steel with satin finish. Strip is 4" (100 mm) high with edges returning 1/2" (13 mm) to the wall.

1307-3 (Shown) 26" (660 mm) with 3 hooks.

1307-4 (Not Shown) 36" (915 mm) with 4 hooks.

1307-5 (Not Shown) 46" (1170 mm) with 5 hooks.

1307-6 (Not Shown) 56" (1420 mm) with 6 hooks.



1315 UTILITY SHELF WITH DRYING ROD, MOP HOLDERS AND RAG HOOKS

Fabricated of type 304 satin finish stainless steel. Shelf is 8" (200 mm) deep with 3/4" (19 mm) return for rigidity. Mop holders are riveted to strip and rubber cam is ribbed for grasping. Rod and hooks for wet rags included.

1315-3 (Not Shown) 3 mop holders/2 rag hooks, 30" (760 mm) long.

1315-4 (Shown) 4 mop holders/3 rag hooks, 36" (915 mm) long.

1315-6 (Not Shown) 6 mop holders/5 rag hooks, 48" (1220 mm) long.

CUSTODIAL ACCESSORIES & ASH TRAYS



8215 MOP AND BROOM RACKS

Formed channel fabricated of 20 gauge, type 304 stainless steel satin finish. Projects 3½" (90 mm) from wall. Rubber cam holders ribbed for grasping.

8215-3 (Shown) 3 holders, 26" (660 mm) long.

8215-4 (Not Shown) 4 holders, 36" (915 mm) long.

8215-5 (Not Shown) 5 holders, 46" (1170 mm) long.



1306 HEAVY DUTY UTILITY HOOK

Heavy duty 11 gauge stainless steel with satin finish.



Wall Opening: 12½" x 10¼" x 3½"
(320 x 260 x 90 mm)

0004 RECESSED WALL URN

Provided with stainless steel flip-top ashtray permanently attached to cabinet. Receptacle is fabricated of stainless steel and is removable. Ideal for lobby or corridor use.



0044-A SURFACE MOUNTED WALL URN

Theft resistant flip tray and bezel fabricated of satin finish type 304 stainless steel. Spring pivoted to return to original position. Removable stainless steel ash receptacle behind locked door.

Overall size: 9" x 5" x 4⅝" (230 x 130 x 120 mm).



8091 FLIP-TOP ASHTRAY

Surface mounted unit has a stainless steel pivoting rod which permits top to pivot approximately 320° for disposing of waste. Type 304 stainless steel with satin finish.

Overall size: 4¾" x 3⅝" x 1¼" (120 x 90 x 32 mm).

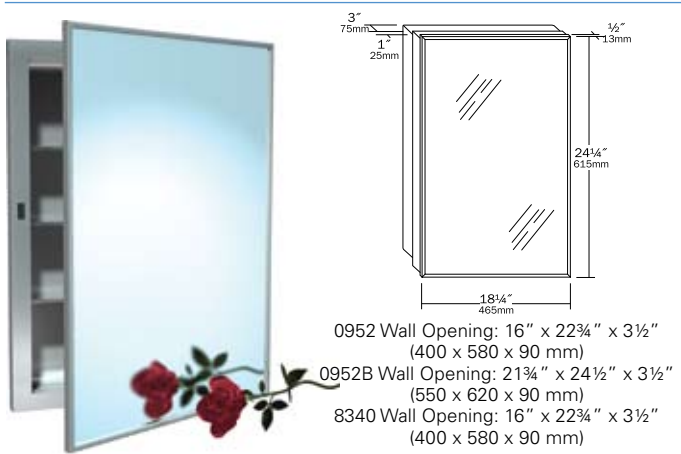


8095 SURFACE MOUNTED WALL URN

Stainless steel circular style wall ashtray for use in lobbies and corridors. Flip-top ashtray fabricated of 22 gauge stainless steel with satin finish hinges to urn for vandal resistant installation. Heavy duty aluminum mounting bracket and receptacle. Entire unit has satin finish.

Overall size: 9½" x 9¼" x 9⅝" (240 x 235 x 245 mm).

HEALTH CARE ACCESSORIES



0952 RECESSED STAINLESS STEEL MEDICINE CABINET
Swing door mirror frame is type 304 stainless steel with satin finish. Mirror is 1/4" (6 mm), guaranteed for 15 years against silver spoilage. Door has full length piano hinge and magnetic catch. Three removable stainless steel shelves. Overall size: 18 1/4" x 24 1/4" (465 x 620 mm).

0952B (Not Shown) Similar to 0952, except larger. Overall size: 24" x 26" (610 x 660 mm).

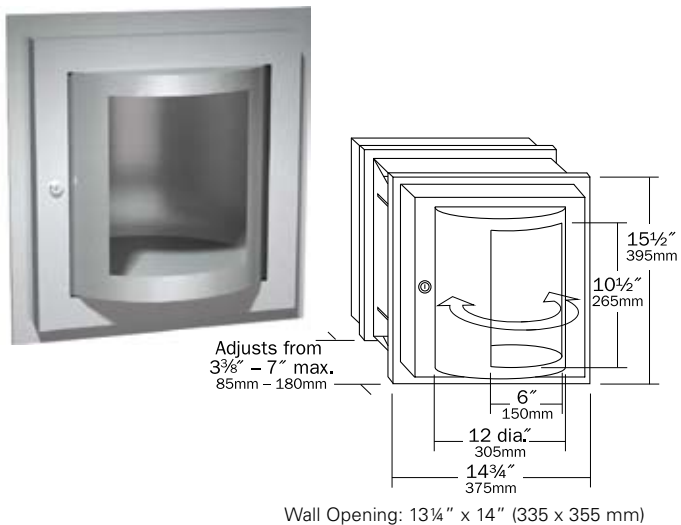
8340 (Not Shown) BAKED ENAMEL RECESSED MEDICINE CABINET
One piece, drawn, cold rolled steel with white baked enamel finish. Stainless steel channel-framed mirrored door with 1/4" (6 mm) thick plate glass, has continuous piano hinge and magnetic catch. Three removable white enamel steel shelves. Overall size: 18 1/4" X 24 1/4" (465 x 615 mm)



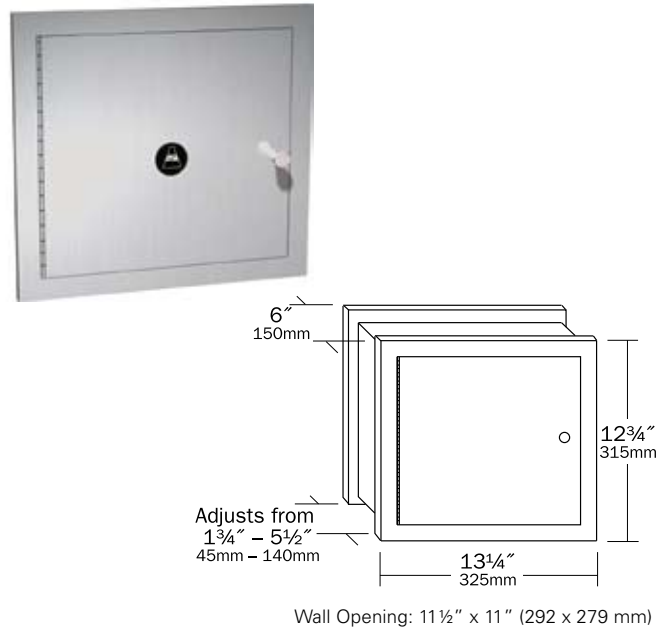
0953 SURFACE MOUNTED STAINLESS STEEL MEDICINE CABINET
Same as 0952, but surface mounted. Overall size: 18 1/4" x 24 1/4" x 4 3/4" (465 x 615 x 120 mm).

8338 (Not Shown) SURFACE MOUNTED CABINET Similar to 8337, but smaller and provided with two adjustable white baked enamel steel shelves. Overall Size: 14 1/4" x 20 1/4" x 4 3/4" (360 x 515 x 120 mm).

8339 (Not Shown) Similar to 8338, except larger. Overall Size: 16 3/16" x 22 3/16" x 5" (410 x 565 x 125 mm).

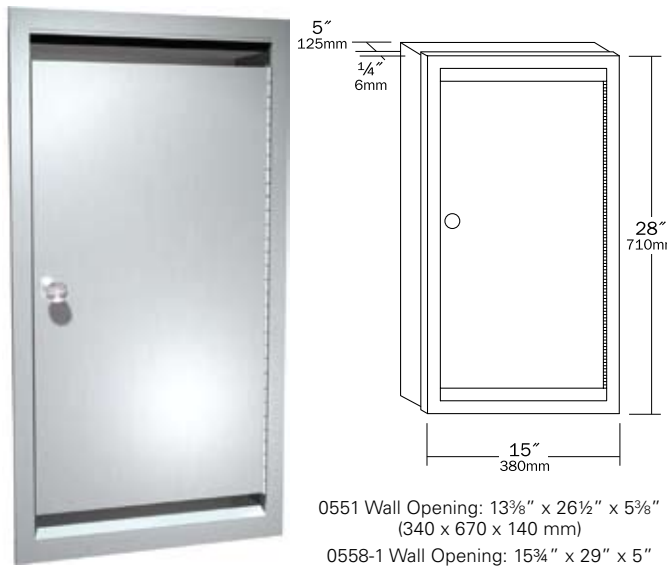


0515 TURNTABLE SPECIMEN PASS BOX
Fabricated of 18 gauge type 304 satin-finish stainless steel. Turntable cylinder is 12" (305 mm) diameter with 10 1/2" x 6" (270 x 150 mm) opening. Stainless steel self-lubricating ball bearing plates mounted on top and bottom permit the unit to rotate freely. Positioned bullet catches prevent uncontrolled rotation. Entire inner assembly is encased in 1" (25 mm) wide trim. Cylinder lock allows for the removal of the cylinder for sterilizing or autoclaving when necessary. Trim is adjustable for wall up to 7" (180 mm) thick.



8154 PASS THROUGH SPECIMEN CABINET
Provides a convenient passage from patient-area into laboratory. Fabricated of 22 gauge type 304 satin-finish stainless steel. Internal latch prevents simultaneous door opening. Stainless steel tray is removable. Mounts in wall thickness of 1 3/4" to 5 1/2" (45 to 135 mm).

HEALTH CARE ACCESSORIES



0551 Wall Opening: 13 $\frac{3}{8}$ " x 26 $\frac{1}{2}$ " x 5 $\frac{3}{8}$ "
(340 x 670 x 140 mm)
0558-1 Wall Opening: 15 $\frac{3}{4}$ " x 29" x 5"
(400 x 740 x 130 mm)

0551 RECESSED BEDPAN AND URINAL CABINET

Recessed cabinet is 22 gauge type 304 satin finish stainless steel for storage of bedpan and urinal. Cabinet provided with $\frac{1}{2}$ " (13 mm) open space across top and bottom of door to allow air circulation.

0558-1 RECESSED BEDPAN AND WASHBASIN CABINET
(*Not Shown*) Similar to 0551. Holds one conventional type bedpan and one wash basin.



0557 SURFACE MOUNTED BEDPAN RACK

Surface mounted rack provides convenient storage for one conventional size bedpan. 12" wide x 11" high (300 x 280 mm).

0556 (*Not Shown*) SURFACE MOUNTED BEDPAN AND URINAL RACK Similar to 0557 but larger for storing one conventional size bedpan and one urinal bottle. Type 304 stainless steel, satin finish. 12" wide x 27" high. (300 x 685 mm).

0559 (*Not Shown*) SURFACE MOUNTED DOUBLE BEDPAN RACK Similar to 0556, but designed to hold two conventional size bedpans.



0533-48 CORNER GUARD

18 gauge type 304 stainless steel satin finish with $\frac{1}{8}$ " radius. Adhesive mounted. Size: 48" high x 4 $\frac{1}{4}$ " x 4 $\frac{1}{4}$ " (1220 x 110 x 110 mm). **Other sizes available upon request.**



0349 FOOT OPERATED SURGICAL SOAP DISPENSER

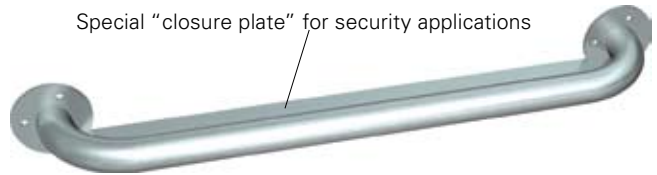
Pneumatic pump mechanism, 32 ounce (.9 L) polyethylene container. Free turning spout is type 316 stainless steel. 96" (245 mm) long vinyl tubing attaches to anti-slip foot pump. Dispenses surgical soaps, antiseptic solutions and synthetic detergents. Overall size: 4 $\frac{1}{2}$ " x 11 $\frac{1}{2}$ " x 9" (115 x 290 x 230 mm) spout projection.



0350 SURGICAL SOAP DISPENSER

Dispenses antiseptic solutions and synthetic detergent soaps. Chrome plated brass bracket. Capacity: 16 ounces (0.5 L) white polyethylene globe. Overall height: 6 $\frac{1}{2}$ " (165 mm).

SECURITY ACCESSORIES



165 GRAB BAR — FRONT MOUNTING

Tubing 18 gauge and flanges 1/8" (3 mm) thick stainless steel type 304 with satin finish. Closure plate is 1/8" (3 mm) thick. All welded construction. Unit has three holes through each flange for front mounting.

For rear mounting specify wall thickness for length of welded-on 1/4" (6 mm) — 20 threaded rods, washers and nuts.

NOTE: Following are standard models and sizes. Other sizes are available on request. Sizes are measured at center line of flanges.

Model	Description
160	Grab Bar, 24" (610 mm) - Rear Mount
165	Grab Bar, 24" (610 mm) - Front Mount
161	Grab Bar, 30" (760 mm) - Rear Mount
162	Grab Bar, 30" (760 mm) - Front Mount
163	Grab Bar, 36" (915 mm) - Rear Mount
164	Grab Bar, 36" (915 mm) - Front Mount
166	Grab Bar, 42" (1070 mm) - Rear Mount
167	Grab Bar, 42" (1070 mm) - Front Mount
168	Grab Bar, 48" (1220 mm) - Rear Mount
169	Grab Bar, 48" (1220 mm) - Front Mount



170 RETRACTABLE SHOWER SEAT — FRONT MOUNTING

Seat folds up into cabinet. Fabricated of 12 gauge stainless steel, exposed surfaces have a satin finish. Seat has reinforced channels. Wall sub frame furnished, with welded on masonry anchors. Sub Frame Opening: 15" x 15" x 2 3/4" (380 x 380 x 70 mm).



128-1 BOOK SHELF/CLOTHES HOOK — FRONT MOUNTING

Shelf and back plate are 14 gauge stainless steel type 304 with satin finish. Hooks are 12 gauge stainless steel and back plate is 14 gauge stainless steel. Seams are welded and ground smooth. Hooks snap down for safety if excessively loaded. Unit has six holes through back for front mounting.

Overall size: 18" x 11" x 8" (460 x 280 x 200 mm).



137 BOOK SHELF/CLOTHES HOOK STRIP — FRONT MOUNTING

Book shelf and back plate are fabricated of 14 gauge stainless steel type 304 with satin finish. Hooks are 7 gauge and brackets are 11 gauge stainless steel. Hooks snap down for safety if excessively loaded. Unit has six holes through back for front mounting. Overall size: 18" long x 11" high x 8" deep (460 x 280 x 200 mm).

SECURITY ACCESSORIES



122 SQUARE CLOTHES HOOK — REAR MOUNTING
Fabricated of 12 gauge type 304 stainless steel with a satin finish. Back plate is fabricated of 14 gauge stainless steel. If hook is excessively loaded, it will snap down for safety. Unit has four studs welded on back for rear mounting. Overall size: 4¼" x 4¼" x 2⅝" (110 x 110 x 55 mm).

123 SQUARE CLOTHES HOOK — FRONT MOUNTING
(*Not Shown*) Similar to 122, except with four holes for front mounting.



120 CLOTHES HOOK — FRONT MOUNTING
Bracket 11 gauge, hook 7 gauge type 304 stainless steel with satin finish. If hook is excessively loaded, it will snap down for safety. Unit has four holes through flange for front mounting. Overall size: 3" x 5" x 3⅛" (75 x 130 x 80 mm) projection.

121 CLOTHES HOOK — REAR MOUNTING (*Not Shown*)
Similar to 120, but with four studs welded to back for rear mounting.



111 FRONT MOUNTING POSTTYPE TOILET TISSUE HOLDER
Fabricated of 18 gauge 1¼" (32 mm) OD stainless steel type 304 with satin finish. Flange is 3" (76 mm) dia. x ⅝" (3 mm) thick and has three countersunk holes for front mounting. Overall size: 4½" x 3¾" (115 x 95 mm) projection.



Wall Opening: 5½" (140 mm) diameter x wall thickness

110-1 SQUARE RECESSED TOILET TISSUE HOLDER — REAR MOUNTING
Fabricated of 14 gauge type 304 stainless steel with satin finish exterior, glass blasted satin finish interior 4½" (115 mm) deep accommodates one standard toilet tissue roll. Flange is 7" (180 mm) square. Hidden contraband causes roll to project from holder allowing detection. Two "T" nuts welded on back for rear mounting. Overall size: 7" x 7" (180 x 180 mm).

110-13 SQUARE RECESSED TOILET TISSUE HOLDER — FRONT MOUNTING (*Not Shown*) Same as 110-1 except with front mounting holes.



Wall Opening: 5¾" (145 mm) diameter x wall thickness

110 RECESSED TOILET TISSUE HOLDER — REAR MOUNTING
Fabricated of 16 gauge type 304 stainless steel, satin finish exterior, glass blasted satin finish interior. 4½" (115 mm) interior depth accommodates one standard toilet tissue roll. Hidden contraband causes roll to project from holder allowing detection. Two "T" nuts welded on back for rear mounting. Overall size: 7¼" (185 mm) diameter.



117 FOLDED TOILET TISSUE HOLDER — FRONT MOUNTING
Holder is 14 gauge type 304 stainless steel, satin finish. Open design for detection of contraband. Provided with four mounting holes for front mounting. Overall size: 4¾" x 9" x 2¾" (120 x 230 x 70 mm).

SECURITY ACCESSORIES



101 FRAMED MIRROR — REAR MOUNTING

Frame 14 gauge type 304 stainless steel with satin finish, corners welded and ground smooth. Unit provided with fiberboard backing and six "T" nuts welded on back for rear mounting. Specify glazing suffix required (see page 31 for legend) and also specify wall thickness if greater than 6" (150 mm).

Overall size: 12" x 16" x 5/8" (305 x 405 x 16 mm).



105 FRAMED MIRROR — FRONT MOUNTING

Similar to 101, but front mounting, furnished with TORX vandal resistant 1/4-20 x 2" (150 mm) machine screws.



104 FRAMED MIRROR — FRONT MOUNTING

Unit consists of wall mounting plate fabricated of 7 gauge type 304 stainless steel with four countersunk mounting holes and eight tapped holes. Formed mirror fabricated of 18 gauge type 304 stainless steel with #8 mirror polish finish provided with eight dimpled holes through integral frame and 1/4-20 x 1/4" TORX head screws for securing to wall mounting plate.

Overall size: 10 1/16" x 11 9/16" x 7/16" (255 x 290 x 11 mm).



107 ONE PIECE FRAMED MIRROR WITH ROUNDED CORNERS — FRONT MOUNTING

One piece 18 gauge type 304 stainless steel formed mirror with #8 mirror polish finish, integral frame, rounded corners and six mounting holes.

Overall size: 12" x 16" x 1/4" (305 x 405 x 6 mm).

108 ONE PIECE FRAMED MIRROR WITH ROUNDED CORNERS — REAR MOUNTING (*Not Shown*) Same as 107 with six "T" nuts welded on back for rear mounting.

SECURITY ACCESSORIES



129 CLOTHES/TOWEL HOOK STRIP — FRONT MOUNTING

Fabricated of 14 gauge stainless steel type 304 with satin finish. Hooks snap down for safety if excessively loaded. Six holes through back for front mounting. Overall size: 18" long x 5½" x 2⅛" (460 x 140 x 55 mm) projection.



Wall opening: 6½" X 5" (165 x 130 mm) wall thickness

140 REAR MOUNTING RECESSED SOAP DISH

Soap dish 16 gauge stainless steel type 304 with satin finish. One piece drawn construction with beveled trim and embossments for air circulation and drainage. Unit has two "T" nuts welded on back for rear mounting. Overall size: 7⅜" X 6" (215 x 155 mm).



127 CLOTHES/TOWEL HOOK STRIP — FRONT MOUNTING

Wall plate 14 gauge with beveled edges, 11 gauge brackets, and four, 7 gauge hooks. Stainless steel type 304 with satin finish. Hooks snap down for safety if excessively loaded. Unit has six mounting holes through back for front mounting. Overall size: 11" x 5½" x 3⅛" (280 x 140 x 80 mm) projection.

MOUNTING METHODS

Rear mounting for walls up to 6" (150 mm) thick: "T" nuts and ¼-20 threaded rods, nuts, washers and steel mounting channel provided.

Rear mounting for walls 6" (150 mm) thick and over: "T" nuts and ¼-20 threaded rods, nuts, washers and steel mounting channel provided.

Front mounting: TORX head machine screws, ¼-20 x 2" (50 mm) long, furnished. (Anchors to suit field conditions by others.)



Wall Opening: 16½" x 5½" (420 x 140 mm) x wall thickness.

130 RECESSED SHELF — REAR MOUNTING

Shelf 16 gauge type 304 stainless steel, corners welded and ground smooth. 1" (25 mm) wide beveled satin finish trim. Interior glass blasted finish. Unit has four studs welded on back for rear mounting.

ANCHORING INFORMATION

- Front mounted units are furnished with TORX vandal resistant ¼-20 x 2" (50 mm) machine screws. Wall anchors are not furnished with accessory.
- Rear mounted units are furnished with "T" nuts and ¼-20 threaded rods with nuts and washers to suit 6" (150 mm) walls. Specify if walls are greater than 6" (150 mm).
- Wall Sleeves (optional). Recommended for mounting of accessories in poured or precast concrete walls. Fabricated of Paintlok steel, all welded construction with mounting holes for attachment to forms.

INDEX OF PRODUCTS BY CATEGORY

	MODEL	PAGE		MODEL	PAGE		MODEL	PAGE		MODEL	PAGE
Ashtrays	0004	47	Healthcare	0349	22, 49	Paper Towel	0210	17	Soap Dishes	0398	36
	0044-A	47	Accessories	0350	22, 49	Dispensers	0215	17		0399	36
	8091	47		0515	48		0245-SS	17		0400	36
	8095	47		0533-48	49		0439	17		0401	36
Baby Changing Stations	9012	44		0551	49		0452	15		0410-Z	39
	9013	44		0556	49		0452-9	15		0720-Z	39
	9013-9	44		0557	49		045224	15		0721-Z	39
Bottle Openers	0711	37		0558-1	49		045224-9	15		7320	34
	0711-B	37		0559	49		045224A	15		7404	36
				0952	48		045224A-9	15		7410	36
				0952B	48		04523	15	Soap Systems	0353	23
Cabinets	0430	16		0953	48		04523-9	15		0375	23
	0430-9	16		8154	48		04523A	15		0377	23
	0431	16		8338	48		04523A-9	15		0378	23
	0436	16		8339	48		0457	15			
				8340	48		0457-9	15	Toilet Seat	0477	26
Clothes/Towels	0712	37					1002	19	Cover Dispensers	0477-SM	26
Hooks, Lines & Shelves	120	51	Hooks & Bumpers	0714	38		6452	10		6477	11
	121	51		0719	38		6452-9	10		9477	7
	122	51		0740-Z	39		6457	10		9477-SM	7
	123	51		0745-Z	39		8165	17			
	127	53		0751	38		8522	17	Toilet Tissue	0030	27
	128-1	50		0751-A	38		8522A	17	Dispensers/	0031	27
	129	53		1306	47		9452	5	Holders	0032	27
	130	53		7340	35		9457	5		0040	27
	137	50		7345	35					0042	27
Combination Units	0481	25		7382	34	Security	101	52		0262	27
	0481-HC	25		8425	34	Accessories	104	52		0263-1	28
	04813	25	Mirrors	0535	30		105	52		0263-12	28
	04813-HC	25		0537	30		107	52		0263-1A	28
	0482	25		0600	30		108	52		0264-1	28
	04823	25		0600T	30		110	51		0264-12	28
	0483	25		0605	30		110-1	51		0264-1A	28
	04833	25		0620	30		110-13	51		0264-1A2	28
	0484	25		0625	31		111	51		0266	28
	0484-HC	25		8026	31		117	51		0267	28
	0485	25					120	51		0402-Z	39
	0486	25	Paper Towel	0462-AD	12		128-1	50		0697-GAL	28
			Dispensers	0462-AD-9	12		130	53		0705-Z	39
Cup Dispensers	0002-ASM	38	& Waste	0467	14		137	50		0710	28
	0002-SM	38	Receptacles	0467-2	14		140	53		0715	28
				0467-9	14		165	50		111	51
Custodial Accessories	1307	46		0469	12		170	50		117	51
	1307-3	46		0469-2	12	Shelves	0412	45		7303	29
	1307-4	46		0469-9	12		0690	45		7305	35
	1307-5	46		0469-BL	12		0692	45		7305-2	35
	1307-6	46		04692	13		0694	45		7305-B*	28
	1308	46		04692-6	13		0698	45		7305-S*	28
	1308-3	46		04692-9	13					7305-2B*	28
	1308-4	46		04692A	13	Shelves	7310	35		7305-2S*	28
	1315	46		04692A-6	13	w/Towel Bars	7311	35		7402 Series	29
	1315-3	46		04692A-9	13	Shower Curtain	1200-SHU	43		74022 Series	29
	1315-4	46		046921	14	Rods	1200-V	43		7403 Series	29
	1315-6	46		046921-6	14		1204	43		9030	7, 27
	8215	47		046921-9	14		1214	43		9031	7, 27
	8215-3	47		046921A	14		1224	43		R009	29
	8215-4	47		046921A-6	14	Shower Seats	0010	42			
	8215-6	47		046921A-9	14		8203	42	Toothbrush &	0735-Z	39
Facial Tissue	0258-SS	37		046924	14		8204	42	Tumbler Holders	7335	34
Dispensers	0259-B	37		046924-9	14		8205-L	42			
	0259-SS	37		046924A	14		8205-R	42	Towel Bars,	0706	37
	02594-B	37		046924A-9	14		8206-L	42	Holder & Pins	0707	37
	02594-SS	37		04693	14		8206-R	42		0708	37
				04693-6	14		8207	42		0755-SS	37
Grab Bars	3100/3200	40		04693-9	14		8208-L	42		0755-Z	39
	3400/3500	41		04697	13		8208-R	42		0760-Z	39
	3700/3800	41		04697-4	13		8358	42		0785-Z	39
				04697-9	13					7301	34
Feminine Hygiene Vendors	0464	24		04697-BL	13	Soap Dispensers	0318	21		7355	35
	0468	24		1001	19		0318-A	21		7360	35
	0468-2	24		6462	8		0326	21		7380	35
	04684	24		6462-2	8		0327	21		7385	34
	04684-TM	24		6462-9	8		0332	20			
	04684-TM-9	24		64623	9		0337	21	Waste	0458	16
	0864	24		64623-9	9		0345	21	Receptacles	0458-9	16
	9468	6		6467	8		0346	22		04733	16
	94684	6		6467-9	8		0347	21		0810	18
	6468	11		64673	9		0349	22, 49		0811	18
	64684	11		64676	8		0350	22, 49		0812	18
				64676-2	8		0351	22		0813	18
Feminine Hygiene Disposals	0472	26		64676-9	8		0352	22		0825	18
	0472-1	26		64696	9		0355	22		0826	18
	0473	26		64696-6	9		0356	22		0827	18
	0473-1	26		64696-9	9		0360	20		0828	18
	0473-A	26		64696A	9		0361	20		0829	18
	0473-1A	26		64696A-6	9		0362	20		1000	19
	0852	26		64696A-9	9		0363	20		1003	19
	0852-SH	26		9462	4		2001	23		6459	10
	6471	11		94623	5		5001-SS	23		6474	10
	9471	6		9467	4		5002	23		6474-2	10
Hand Dryers	0141/0144	32		94676	4		6326	11		9459	6
	0165	32		9469	4		9326	7		9474	6
	0185	33		94696	5		9343	7, 21			
	0195	33		94696A	5		V-320	22			
	64673	9					V-321	22			



INDEX OF PRODUCTS BY MODEL NUMBER

MODEL	PAGE
0002-ASM	38
0002-SM	38
0004	47
0010	42
0030	27
0031	27
0032	27
0040	27
0042	27
0044-A	47
0141	32
0144	32
0165	32
0185	33
0195	33
0210	17
0215	17
0245-SS	17
0258-SS	37
0259-B	37
0259-SS	37
02594-B	37
02594-SS	37
0262	27
0263-1	28
0263-12	28
0263-1A	28
0264-1	28
0264-12	28
0264-1A	28
0264-1A2	28
0266	28
0267	28
0318	21
0318-A	21
0326	21
0327	21
0332	20
0337	21
0345	21
0346	22
0347	21
0349	22, 49
0350	22, 49
0351	22
0352	22
0353	23
0355	22
0356	22
0360	20
0361	20
0362	20
0363	20
0375	23
0377	23
0378	23
0398	36
0399	36
0400	36
0401	36
0402-Z	39
0410-Z	39
0412	45
0430	16
0430-9	16
0431	16
0436	16
0439	17
0452	15
0452-9	15
045224 Series	15
045224A Series	15
04523 Series	15
04523A Series	15
0457 Series	15
0458 Series	16
0462-AD	12

MODEL	PAGE
0462-AD-9	12
0464	24
0467	14
0467-2	14
0467-9	14
0468	24
0468-2	24
04684	24
04684-TM	24
04684-TM-9	24
0469 Series	12
04692 Series	13
04692A Series	13
046921 Series	14
046921A Series	14
046924 Series	14
046924A Series	14
04693 Series	14
04697 Series	13
0472	26
0472-1	26
0473	26
0473-1	26
0473-A	26
0473-1A	26
04733	16
0477	26
0477SM	26
0481	25
0481-HC	25
04813	25
04813-HC	25
0482	25
04823	25
0483	25
04833	25
0484	25
0484-HC	25
0485	25
0486	25
0515	48
0533-48	49
0535	30
0537	30
0551	49
0556	49
0557	49
0558-1	49
0559	49
0600	30
0600T	30
0605	30
0620	30
0625	31
0690	45
0692	45
0694	45
0697-GAL	28
0698	45
0705-Z	39
0706	37
0707	37
0708	37
0710	28
0711	37
0711-B	37
0712	37
0714	38
0715	28
0719	38
0720-Z	39
0721-Z	39
0735-Z	39
0740-Z	39
0745-Z	39
0751	38
0751-A	38

MODEL	PAGE
0755-SS	37
0755-Z	39
0760-Z	39
0785-Z	39
0810 - 0829	18
0852	26
0852-SH	26
0864	24
0952	48
0952B	48
0953	48
101	52
104	52
105	52
107	52
108	52
110 Series	51
111	51
117	51
120	51
121	51
122	51
123	51
127	53
128-1	50
129	53
130	53
137	50
140	53
165	50
170	50
1000	19
1001	19
1002	19
1003	19
1200-SHU	43
1200-V	43
1204	43
1214	43
1224	43
1306	47
1307 Series	46
1308 Series	46
1315 Series	46
2001	23
3100 Series	40
3200 Series	40
3400 Series	41
3500 Series	41
3700 Series	41
3800 Series	41
5001-SS	23
5002	23
6326	11
6452 Series	10
6457	10
6459	10
6462 Series	8
64623 Series	9
6467 Series	8
64673	9
64676 Series	8
6468	11
64684	11
64696 Series	9
64696A Series	9
6471	11
6474 Series	10
6477	11
7301	34
7303	29
7305 Series	35
7305-B	28
7305-S	28
7305-2B	28
7305-2S	28
7310	35

MODEL	PAGE
7311	35
7320	34
7335	34
7340	35
7345	35
7355	35
7360	35
7380	35
7382	34
7385	34
7402 Series	29
74022 Series	29
7403 Series	29
7404	36
7410	36
8026	31
8091	47
8095	47
8154	48
8165	17
8203	42
8204	42
8205 Series	42
8206 Series	42
8207	42
8208 Series	42
8215 Series	47
8338	48
8339	48
8340	48
8358	42
8425	34
8522	17
8522A	17
9012	44
9013	44
9013-9	44
9030	7, 27
9031	7, 27
9326	7
9343	7, 21
9452	5
9457	5
9459	6
9462	4
94623	5
9467	4
94676	4
9468	6
94684	6
9469	4
94696	5
94696A	5
9471	6
9474	6
9477	7
9477-SM	7
R009	29
V-320	22
V-321	22

ADDITIONAL PRODUCT LINES



Telephone Enclosures

Available for single or multiple unit installations in numerous architectural styles and finishes and including custom fabrication for special needs. All enclosures are manufactured to standard telephone company specifications, including security, mounting and installation.



ASI Lockers

The ASI LOCKER collection, offers more "top of the line" features built into every product as "standard"; not as an "add-on option".

This unified and well integrated line of products supports the documented needs of architects, and end-users alike. Offered in a variety of high quality materials and designer colors, this collection is value-priced and readily available for timely shipping.

ASI Guarantee

Products are guaranteed to be free from defects in workmanship and material for a period of one year from date of purchase. Any products returned under this guarantee will be repaired or replaced at no charge.

Illustrations and descriptions herein are applicable to production as of the date of this catalog. The manufacturer reserves the right to make changes and improvements in designs and dimensions at any time.



AMERICAN SPECIALTIES, INC.

AMERICAN SPECIALTIES, INC.
441 Saw Mill River Rd, Yonkers, NY 10701-4913
Tel: (914) 476-9000 Fax: (914) 476-0688
www.americanspecialties.com
E-mail: info@americanspecialties.com