



Quality is Behind the Diamond®

# Portable and Wheeled Parts Book

February 2015

## MAIN OFFICE / MANUFACTURING FACILITIES:

### AMEREX CORPORATION

Post Office Box 81  
7595 Gadsden Highway East  
Trussville, AL 35173-0081

Phone (205) 655-3271 Fax (800) 654-5980  
email: sales@amerex-fire.com

## SALES / WAREHOUSES:

1430 Jarvis Avenue

Elk Grove Village, IL 60007-2306

(847) 981-8550 (800) 628-4790  
email: amerexchicago@amerex-fire.com

128 Bauer Drive

Oakland, NJ 07436

(201) 337-1616 (800) 526-3738  
email: amerexnj@amerex-fire.com

10540 Pioneer Blvd.

Santa Fe Springs, CA 90670-1505

(562) 944-0191 (800) 869-0748  
email: amerexla@amerex-fire.com

14101-C Aurora Ave. N

Seattle, WA 98133-6942

(206) 782-2490 (800) 767-2099  
email: amerexseattle@amerex-fire.com

## SALES OFFICES:

437 Clinton Avenue

Akron, OH 44301-3116

(330) 724-1341 (330) 724-1341  
email: dvolchko@amerex-fire.com

10540 Pioneer Blvd.

Santa Fe Springs, CA 90670-1505

(760) 804-5813 (760) 804-5805  
email: jfleming@amerex-fire.com

3625 Elder Lane

Franklin Park, IL 60131-1707

(847) 678-4588 (847) 678-4660  
email: cmoreth@amerex-fire.com

6004 Lakeshore Drive

Lago Vista, TX 78645-5243

(512) 267-2072 (512) 267-2026  
email: jhund@amerex-fire.com

P.O. Box 604

Indianola, WA 98342-0604

(360) 779-8229 (360) 779-2636  
email: jhenderson@amerex-fire.com

1726 Yardley Drive

West Chester, PA 19380-5788

(610) 701-8361 (610) 701-8496  
email: skeefer@amerex-fire.com

128 Bauer Drive

Oakland, NJ 07436

(201) 337-1616 (800) 526-3738  
email: jmiller@amerex-fire.com

1155 Raintree Drive

Charlottesville, VA 22901

(434) 974-6760 (434) 964-1510  
email: bagee@amerex-fire.com

## INTERNATIONAL SALES:

Corporate Office - Trussville, AL

(205) 655-5717 (205) 655-0854  
email: mdiaz@amerex-fire.com

**NOTICE:**

Amerex fire extinguishers are manufactured under a quality system consisting of ISO 9001 and to ANSI/UL Standards. To protect the UL listing and to keep the warranty in effect Amerex replacement parts must be used.

Genuine factory parts are available to insure proper maintenance - use of other manufacturer's parts releases Amerex of its warranty obligations. Amerex parts have machined surfaces and threads which are manufactured to exacting tolerances. O-rings, hoses, nozzles, horns and all metal parts meet precise specifications and are subjected to multiple in-house inspections and tests for acceptability. The Amerex warranty is voided by the use of generic, off-the-shelf or substitute parts. **DO NOT SUBSTITUTE.**

Amerex Corporation does not service, maintain or recharge fire extinguishers. This Parts Book and the various Amerex extinguisher service manuals are published as a guide to assist qualified personnel in the proper selection of parts and the "Inspection, Maintenance and Recharge" of Amerex extinguishers only. Personnel should receive proper instruction by a qualified agency in the servicing of fire extinguishers prior to servicing extinguishers.

**FAILURE TO USE AMEREX REPLACEMENT PARTS OR HEED THE SERVICE MANUAL INSTRUCTIONS COULD CAUSE MALFUNCTION OF THE EXTINGUISHER RESULTING IN SERIOUS INJURY.**

Amerex Corporation makes every attempt possible to provide the most current and updated information. Information contained with this brochure is deemed to be as accurate as possible as of the printing date. Routine changes to products, codes and standards, and warranties subsequent to this printing will supersede printed information. Please contact Amerex Corporation for any revisions, updates, or product change.



***Quality is Behind the Diamond* ®**

# TABLE OF CONTENTS

<b>TYPE EXTINGUISHER</b>	<b>PAGE NUMBER</b>
DRY CHEMICAL - 1, 2½, 5 LB. (Fixed Nozzle - Aluminum Valve)	2
DRY CHEMICAL - 5, 5½, 6, 10, 20 LB. (Hose & Horn - Aluminum Valve)	3
DRY CHEMICAL - 5, 6, 10, 20, 30 LB. (Hose & Horn - Brass Valve)	4
DRY CHEMICAL HIGH FLOW - 10 - 20 LB. (Hose & Horn - Brass Valve)	5
WATER MIST - 1¾ GAL. AND 2½ GAL. (Hose & Wand - Brass Valve)	6
WET CHEMICAL (Class K) 6 LITER AND 2½ GAL. (Hose & Nozzle - Stainless Steel Shell and Valve)	7
WATER - 2½ GAL. FOAM - 6 LITER, 2½ GAL. AR-AFFF, 2½ GAL. FFFP (Hose & Nozzle - Brass Valve)	8
HIGH PERFORMANCE DRY CHEMICAL- 6 KG., 20, 30 LB. (Hose & Horn- Brass Valve)	9
HALON 1211 - 1¼, 2½, 5 LB. (Fixed Nozzle), 3 LB. (Hose & Horn) - (Aluminum Valve)	10
HALON 1211 - 9, 13, 17, 20 LB. (Hose & Horn - Brass Valve)	10
HALOTRON I - 1.4, 2½, 5, 5½ LB. (Fixed Nozzle - Aluminum Valve)	11
HALOTRON I - 11, 15½ LB. (Hose & Horn - Brass Valve)	11
CARBON DIOXIDE - 2½, 5 LB.	12
CARBON DIOXIDE - 10, 15, 20 LB.	13
CLASS D - 30 LB. SUPER D (Sodium Chloride), 30 LB. COPPER	14
DRY CHEMICAL - Wheeled - Stored Pressure - 50 LB. ABC, REGULAR & PURPLE K	15
DRY CHEMICAL - Wheeled - Stored Pressure - 125 LB. ABC & PURPLE K, 150 LB. REGULAR	16
DRY CHEMICAL - Wheeled - N <sub>2</sub> Cylinder Operated - 110 FT <sup>3</sup> - 125 LB. ABC & PK, 150 LB. REGULAR	17
DRY CHEMICAL - Wheeled - N <sub>2</sub> Cylinder Operated - 23 FT <sup>3</sup> - 125 LB. ABC & PK, 150 LB. REGULAR	18
DRY CHEMICAL - Wheeled - N <sub>2</sub> Cylinder Operated - 55 FT <sup>3</sup> - 300 LB. ABC & PK, 350 LB. REGULAR	19
HIGH PERFORMANCE DRY CHEMICAL - Wheeled - 125/250 LB. ABC, REGULAR, PURPLE-K	20
FOAM (AR-AFFF) - Wheeled - N <sub>2</sub> Cylinder Operated - 23 FT <sup>3</sup> - 33 GAL.	21
CARBON DIOXIDE - Wheeled - 50 & 100 LB.	22
HALON 1211 - Wheeled - 50 & 150 LB.	23
CLASS D - Wheeled - 150 LB. SUPER D (Sodium Chloride), 250 LB. COPPER	24
HALOTRON I - Wheeled - 65 lb.	25
HALOTRON I - Wheeled - 150 lb.	26
NOVEC 1230 - Wheeled - 150lb.	27
WALL BRACKETS and MISCELLANEOUS ITEMS	28
VEHICLE and VEHICLE / MARINE BRACKET and COMPONENTS	29
ADAPTERS - FILL (Recharge) and HYDROTEST	30
RECHARGE AGENTS	31
AMEREX SERVICE / MAINTENANCE MANUALS and MSDS/SDS Availability	32



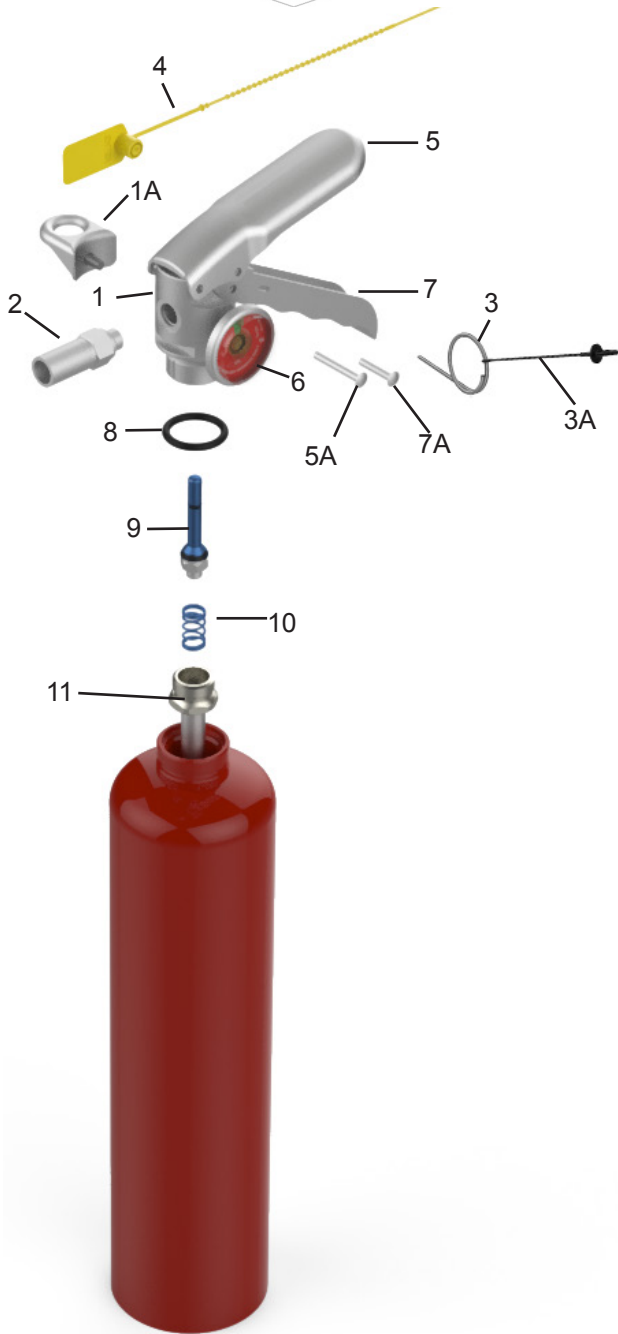
# PARTS LIST

## for

### 1 - 5 lb. Dry Chemical (Fixed Nozzle)

### Aluminum Valve Models

A620 - 1lb. REG	A/B410 - 2 1/2lb. PK
417 - 2 1/2lb. ABC	425 - 5lb. ABC
A/B417 - 2 1/2lb. ABC	409 - 5lb. REG
403 - 2 1/2lb. REG	A/B409 - 5lb. REG
A/B/C403 - 2 1/2lb. REG	416 - 5lb. PK
410 - 2 1/2lb. PK	A/B416 5lb. PK



ITEM NO.	PART NO.	DESCRIPTION
1	12699	Modified Valve Assembly
	11823	Standard Valve Assembly
1A	14220	Hanger Loop w/Screw
2	12494	Nozzle - A620 (.076 SHORT)
	01926	417, A/B417 (.129)
	03741	409, A/B409, 416, A/B416 (.173P)
	03211	403, A/B/C 403 (.120ST)
	01276	410, A/B410 (.120)
3	00160	Ring Pin
	16268	Ring Pin 1 lb. & 2 1/2 lb.
3A	00532	Chain (Nylon) for Ring Pin
4	01387	Lock Wire Seal (Yellow)
5	11825	Lever & Rivet
5A	01060	Rivet Only for Lever All Valves
5B	02625	Lever & Rivet - <b>MODIFIED VALVE</b>
6	08184	Gauge - 100 PSI for A620
	03103	Gauge - 195 PSI
7	11826	Handle & Rivet
7A	01064	Rivet Only for Handle - <b>ALL VALVES</b>
7B	09001	Handle & Rivet - <b>MODIFIED VALVE</b>
8	05241	Collar O-Ring
9	06092	Valve Stem Assembly
10	01074	Spring
11	06069	Downtube/Retainer Assembly - A620
	01075	417, A417, C403, 403, A403, 410, A410
	06212	409, A/B409, 425, 416, A/B416, B403, B410, B417
<b>ALL BRACKETS - SEE BRACKET PAGE</b>		
<b>ALL FILL &amp; HYDROTEST ADAPTERS - SEE ADAPTERS PAGE</b>		
All Valve Assemblies include Valve Body, Gauge, Lever and Handle (Loop and Screw on 11823)		



# PARTS LIST

## for

### 5 - 20 lb. Dry Chemical (Hose & Horn)

### Aluminum Valve Models

- |                     |                    |
|---------------------|--------------------|
| 400 - 5lb. ABC      | 443 - 6lb. ABC     |
| A400 - 5lb. ABC     | A/B443 - 6lb. ABC  |
| A/B402 - 5lb. ABC   | 456 - 10lb. ABC    |
| 500 - 5lb. ABC      | A/B456 - 10lb. ABC |
| A/B500 - 5lb. ABC   | A/B457 - 10lb. REG |
| 453 - 5.5lb. REG    | A411 - 20lb. ABC   |
| A/B453 - 5.5lb. REG | A412 - 20lb. REG   |
| 479 - 5lb. PK       | A413 - 20lb. PK    |
| A/B479 - 5lb. PK    |                    |

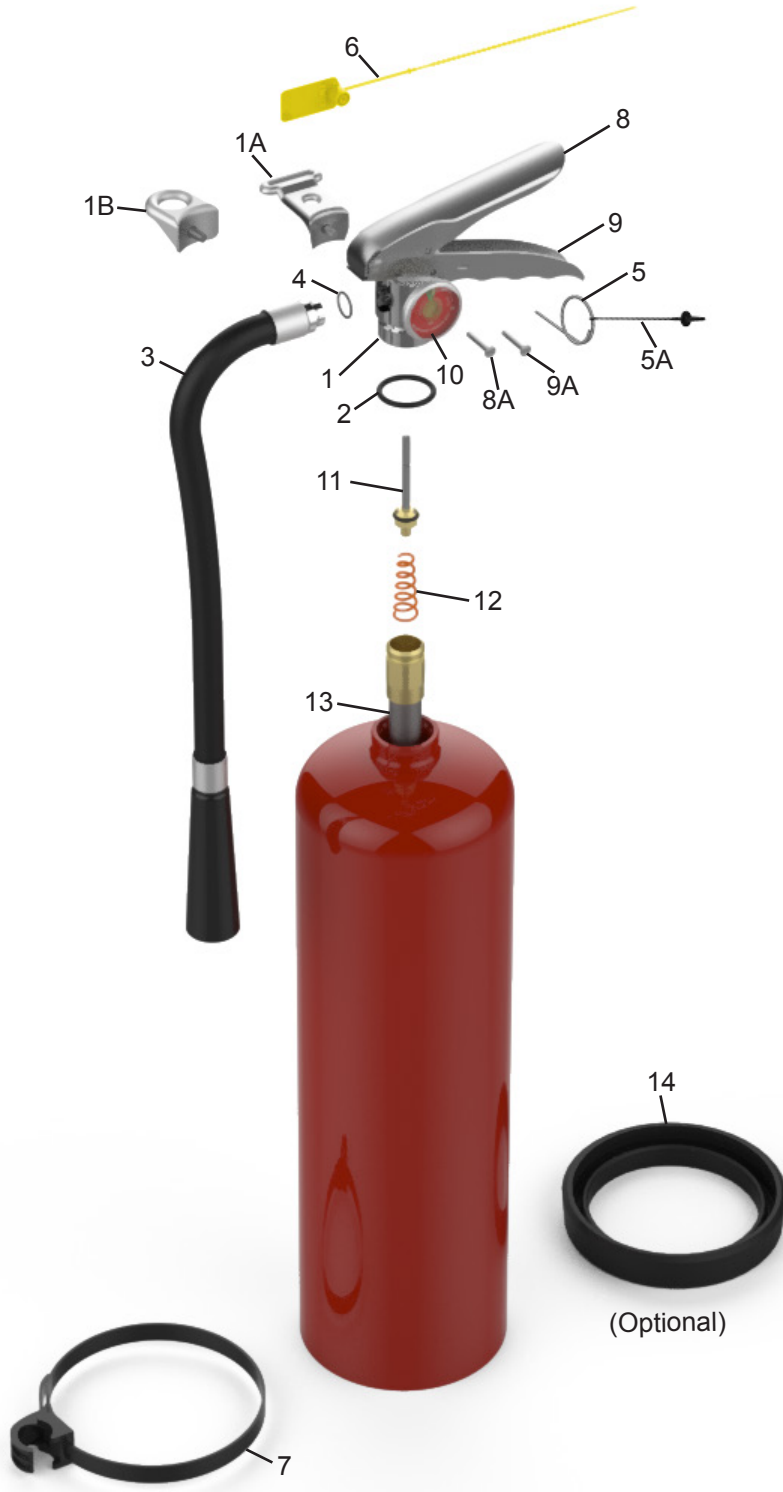


ITEM NO.	PART NO.	DESCRIPTION
1	11823	Valve Assembly - 5, 5½, 6 & 10 lb.
	11824	Valve Assembly - 20 lb.
1A	14220	Hanger Loop with Screw
2	07641	Hose & Horn Ass'y - 400, A400 (.149)
	14849	A/B402 (.157)
	06215	453, A/B453, A/B500 (.147)
	05248	479, 500, 443, A/B479, A/B443 (.152)
	05564	456, A/B456, A/B457 (.191)
	11221	A411 (.209)
	11223	A412, A413 (.177)
3	01532	Hose Gasket (O-Ring) - <b>ALL 5, 6, &amp; 10 lb.</b>
	06978	A411, A412, A413
4	00160	Ring Pin
4A	00532	Chain (Nylon) for Ring Pin
5	01387	Lock Wire Seal (Yellow)
6	11825	Lever & Rivet
6A	01060	Rivet Only for Lever
6B	02625	Lever & Rivet - <b>MODIFIED VALVE</b>
7	03103	Gauge - 195 PSI
8	11826	Handle & Rivet - 5 to 10 lb.
	12405	20 lb.
8A	01064	Rivet Only for Handle - <b>ALL 5 - 10 lb.</b>
	12201	Rivet Only for Handle - 20 LB.
8B	09001	Lever & Rivet - <b>MODIFIED VALVE</b>
9	05241	Collar O-Ring
10	06092	Valve Stem Assembly
11	01074	Spring
12	06212	Downtube/Retainer Ass'y - A/B402, 453, 479, 500, A/B453, A/B479, A/B500
	03397	400, 443, A400, A/B443
	01519	456, A/B456, A/B457
	11674	A411, A412, A413
13	15747	Strap & Clip Ass'y (Black Plastic - 3/8" Hose) <b>ALL 5 - 10 lb.</b>
	14778	Strap & Clip Ass'y (Black Plastic - 1/2" Hose) <b>ALL 20 lb.</b>
14	12383	Protective Ring for Bottom of 20 LB. Cylinder - 7" Diameter
<b>ALL BRACKETS - SEE BRACKET PAGE</b>		
<b>ALL FILL &amp; HYDROTEST ADAPTERS - SEE ADAPTERS PAGE</b>		
All Valve Assemblies include Valve Body, Gauge, Lever and Handle, Loop and Screw		
P/N: 5248 & 6215 Hose & Horn Ass'y are both valid for use on Models 500 & 500T		



# PARTS LIST for 5 - 30 lb. Dry Chemical Brass Valve Models

- |                 |                  |                 |
|-----------------|------------------|-----------------|
| 424 - 5lb. ABC  | 419 - 10lb. ABC  | B460 - 10lb. PK |
| B424 - 5lb. ABC | 441 - 10lb. ABC  | 423 - 20lb. ABC |
| 461 - 6lb. ABC  | B441 - 10lb. ABC | 408 - 20lb. REG |
| B461 - 6lb. ABC | 447 - 10lb. REG  | 415 - 20lb. PK  |
| 462 - 6lb. REG  | B447 - 10lb. REG | 692 - 30lb. ABC |
| B462 - 6lb. REG | 460 - 10lb. PK   | 693 - 30lb. PK  |

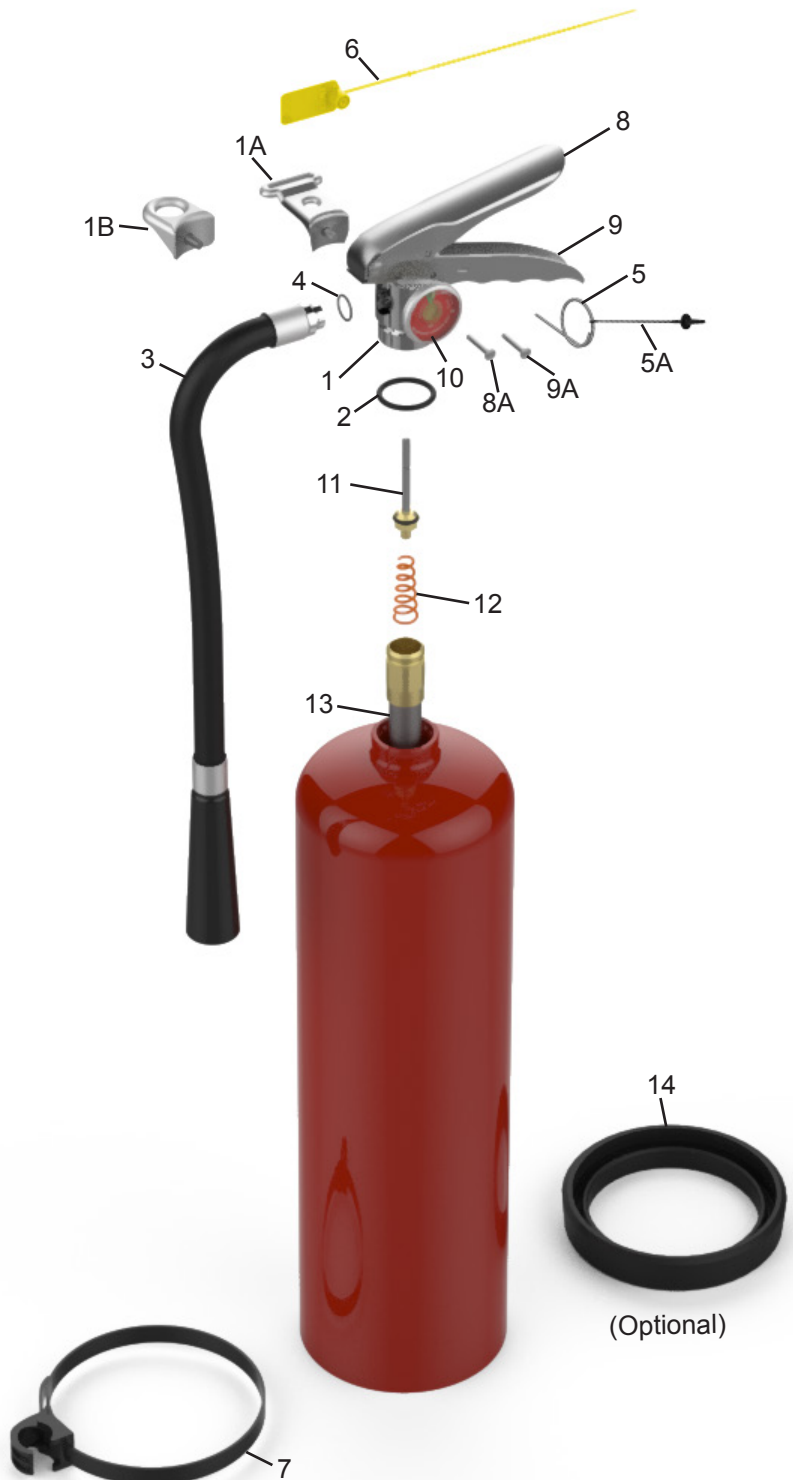


ITEM NO.	PART NO.	DESCRIPTION
1	11952	Valve Assembly - <b>ALL MODELS</b>
1A	15363	Hanger Loop with Screw - "B" Models B441, B447, B460 (10 lb.)
1B	16694	Hanger Loop with Screw 5 lb., 6 lb., & 20 lb.
	17144	Hanger Loop with Screw 692, 693
2	05240	Collar O-Ring
3	03753	Hose & Horn Ass'y - 424, B424 (.140)
	01178	441, 447-B447 (.173)
	03753	461-B461, 462-B462 (.140)
	06095	419, 460-B460, B441, (.152)
	03339	423 (.174)
	05174	415 (.177)
	03332	408 (.173)
	12603	692 (.216)
	13439	693 (.191)
	4	06978
5	00160	Ring Pin, Stainless Steel
5A	00532	Chain (Nylon) for Ring Pin
6	01387	Lock Wire Seal (Yellow)
7	15747	Strap & Hose Clip Ass'y (Black Plastic) 3/8" ALL 4 1/4 & 5" Diameter Cylinders (5/6/10 lb.)
	14778	Strap & Clip Assembly (Black Plastic) 1/2" ALL 7" Diameter Cylinders (20 lb.)
	14871	Strap & Hose Clip Ass'y (Black Plastic) 1/2" ALL 8" Diameter Cylinders (30 lb.)
	8	07762
8A	01563	Rivet Only for Lever
9	09020	Handle & Rivets - <b>ALL MODELS</b>
9A	01564	Rivets Only for Handle (2 Required)
10	03965	Gauge - 195 PSI
11	06093	Valve Stem Assembly
12	00383	Spring
13	01696	Downtube/Retainer Ass'y - 424-B424 (5lb.)
	01700	419 (10 lb. Short)
	03754	461-B461, 462-B462 (6 lb.)
	02609	441-B441, 447-B447, 460-B460 (10 lb. Tall)
	01667	408, 415, 423 (20 lb.)
	09583	692, 693 (30 lb.)
14	12383	Protective Ring for Bottom of Cylinder - 7" (20 lb.)
	12952	Protective Ring for Bottom of Cylinder - 8" (30 lb.)
<b>ALL BRACKETS - SEE BRACKET PAGE</b>		
<b>ALL FILL &amp; HYDROTEST ADAPTERS - SEE ADAPTERS PAGE</b>		
All Valve Assemblies include Valve Body, Gauge, Lever and Handle		



# PARTS LIST for 10 - 20 lb. High Flow Dry Chemical Brass Valve Models

- 720 - 10lb. ABC
- 721 - 10lb. REG
- 722 - 10lb. PK
- 760 - 20lb. ABC
- 761 - 20lb. REG
- 762 - 20lb. PK



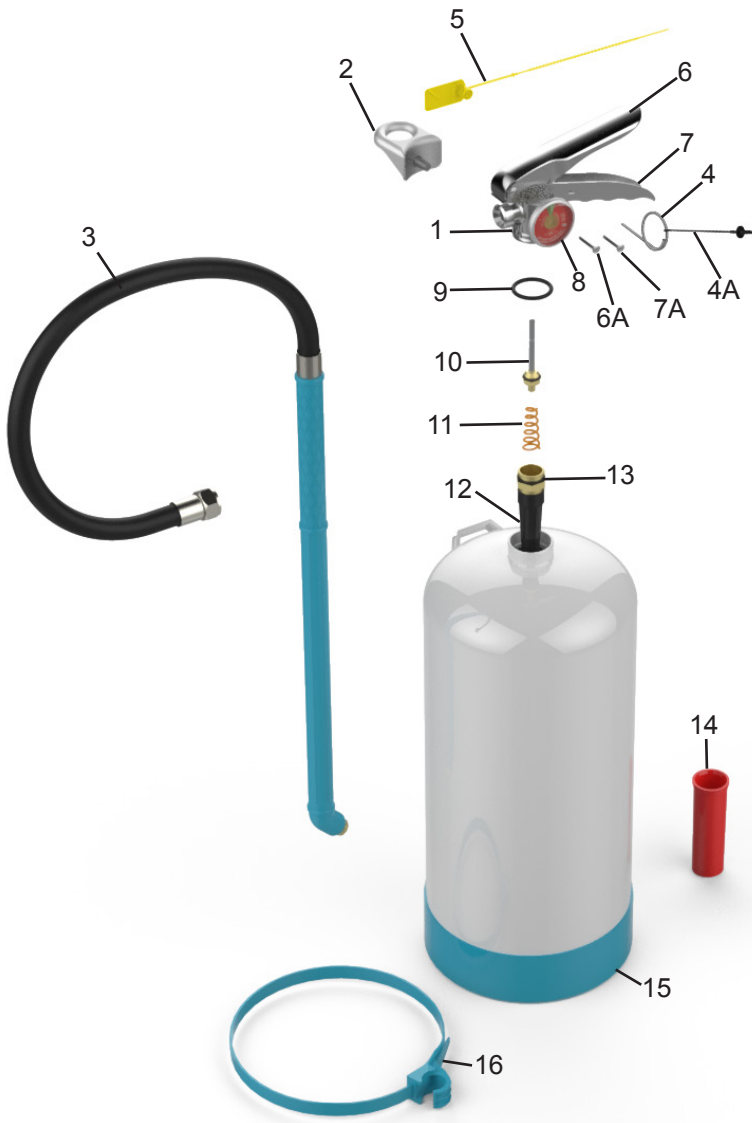
ITEM NO.	PART NO.	DESCRIPTION
1	11952	Valve Assembly - <b>ALL MODELS</b>
1A	15363	Hanger Loop with Screw 720, 721, 722 (10 lb.)
1B	16694	Hanger Loop with Screw 760,761,762 (20 lb.)
2	05240	Collar O-Ring
3	20914	Hose & Horn Ass'y - 720 (.312)
	20908	721 , 722 (.250)
	20912	760 (.266)
	14044	761 (.234)
	20910	762 (.228)
4	06978	Hose Gasket (O-Ring)
5	00160	Ring Pin, Stainless Steel
5A	00532	Chain (Nylon) for Ring Pin
6	01387	Lock Wire Seal (Yellow)
7	14778	Strap & Clip Assembly (Black Plastic) 1/2" ALL 7" Diameter Cylinders (20 lb.)
8	07762	Lever & Rivet - <b>ALL MODELS</b>
8A	01563	Rivet Only for Lever
9	09020	Handle & Rivets - <b>ALL MODELS</b>
9A	01564	Rivets Only for Handle (2 Required)
10	03965	Gauge - 195 PSI
11	06093	Valve Stem Assembly
12	00383	Spring
13	01667	Downtube/Retainer Ass'y - 760, 761, 762 (20 lb.)
	02609	720, 721, 722 (10 lb.)
14	12383	Protective Ring for Bottom of Cylinder - 7" (20 lb.)
<b>ALL BRACKETS - SEE BRACKET PAGE</b>		
<b>ALL FILL &amp; HYDROTEST ADAPTERS - SEE ADAPTERS PAGE</b>		
All Valve Assemblies include Valve Body, Gauge, Lever and Handle		



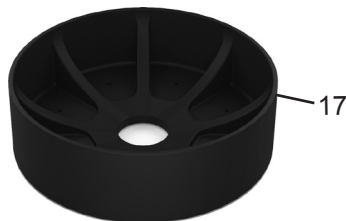
# PARTS LIST

for  
**1<sup>3</sup>/<sub>4</sub> - 2<sup>1</sup>/<sub>2</sub> Gal. Water Mist Extinguisher Models**

270 / B270 / 270NM / 270CG - 1 3/4 gal.  
 272 / B272 / 272NM / 272CG - 2 1/2 gal.



ITEM NO.	PART NO.	DESCRIPTION
1	17615	Valve Assembly - <b>ALL MODELS</b>
2	14380	Hanger Loop with Screw (Optional)
3	14184	Hose & Wand Assembly - 272, B272, 272NM, B272CG
	14318	Hose & Wand Assembly - 270, B270, 270NM, B270CG
4	06901	Ring Pin, Stainless Steel (Non-Magnetic)
4A	00532	Chain (Nylon) for Ring Pin
5	01387	Lock Wire Seal (Yellow)
6	07762	Lever & Rivet - <b>ALL MODELS</b>
6A	01563	Rivet Only for Lever
7	09020	Handle & Rivets - <b>ALL MODELS</b>
7A	01564	Rivets Only for Handle (2 Required)
8	06479	Gauge - 100 PSI (S/S Tube)
9	05240	Collar O-Ring
10	06093	Valve Stem Assembly
11	00383	Spring
12	15943	Downtube/Retainer Ass'y - 272, B272, 272NM, B272CG
	15941	Downtube/Retainer Ass'y - 270, B270, 270NM, B270CG
13	05690	O-Ring Downtube / Retainer
14	02595	Fill Tube 272, B272 (Black)
	14316	Fill Tube 270, B270 (Red)
15	14187	Foot Stand (Blue)
16	14838	Strap & Clip Ass'y [Blue Plastic - 3/8"] (2 Required)
17	21777	Rubber Footstand 7"
	21854	Rubber Footstand Adhesive (Not Shown)
<b>ALL BRACKETS - SEE BRACKET PAGE</b>		
<b>ALL FILL &amp; HYDROTEST ADAPTERS - SEE ADAPTERS PAGE</b>		
All Valve Assemblies include Valve Body, Gauge, Collar Nut, O-Ring, Lever and Handle		

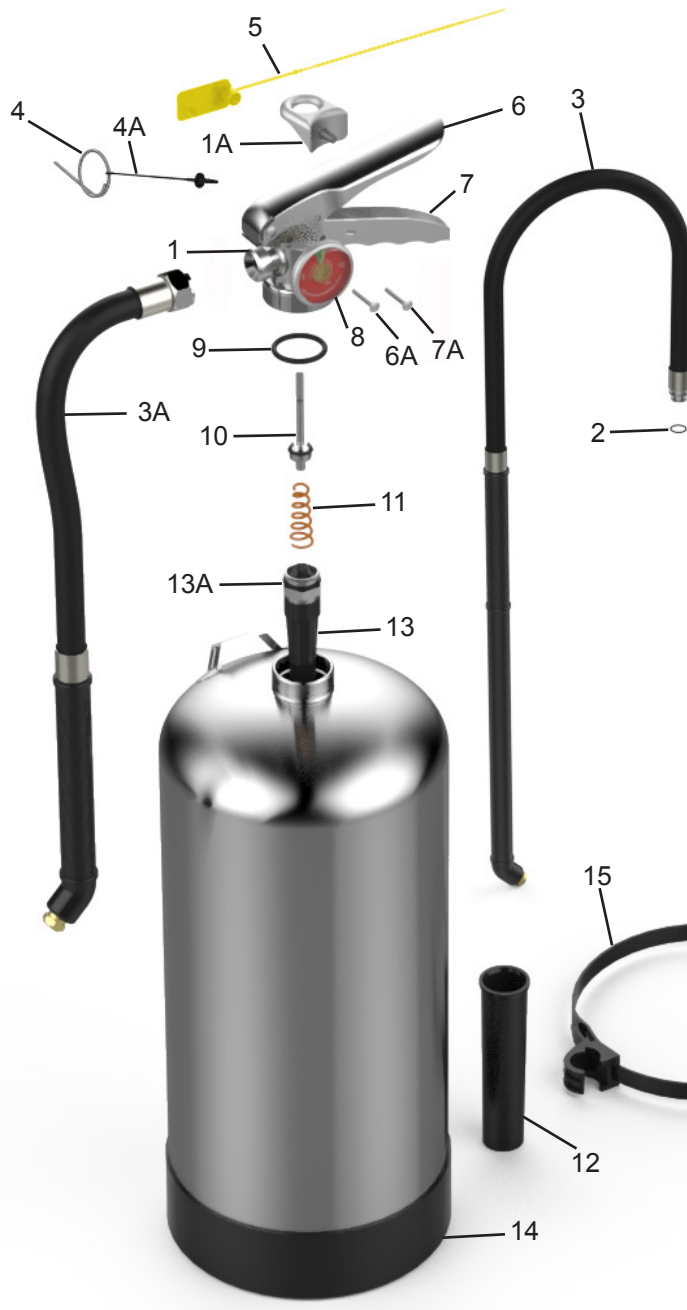






# PARTS LIST for 6 Liter and 2½ Gal. Wet Chemical Models

260/B260 / B260CG - 6 Liter  
262/B262 / B262CG - 2 1/2 gal.



ITEM NO.	PART NO.	DESCRIPTION
1	14345	Valve Assembly - 260, 262
	14249	Valve Assembly - B260, B260CG, B262, B262CG
1A	14380	Hanger Loop with Screw (OPTIONAL)
2	06978	Hose Gasket (O-Ring) 260, 262
3	14588	Hose & Wand Assembly - 260, 262
3A	16043	Hose & Nozzle Assembly - B260, B260CG
	16101	Hose & Nozzle Assembly - B262, B262CG
4	00160	Ring Pin, Stainless Steel
4A	00532	Chain (Nylon) for Ring Pin
5	01387	Lock Wire Seal (Yellow)
6	07762	Lever & Rivet - <b>ALL MODELS</b>
6A	01563	Rivet Only for Lever
7	09020	Handle & Rivets - <b>ALL MODELS</b>
7A	01564	Rivets Only for Handle (2 Required)
	17420	Gauge - 100 PSI (S/S Tube) and Thread
8	17420	Gauge - 100 PSI (S/S Tube) and Thread
9	05240	Collar O-Ring
10	14878	Valve Stem Assembly
11	00383	Spring
12	02595	Fill Tube
13	16266	Downtube/Retainer Ass'y - 260, B260, B260CG
	16267	Downtube/Retainer Ass'y - 262, B262, B262CG
13A	05690	O-Ring Downtube / Retainer
14	03109	Foot Stand (Black)
15	14776	Strap & Clip Ass'y [Black Plastic - 3/8"]
16	14669	Placard (English/Spanish)
	15874	Placard (English/French)
17	21777	Rubber Footstand 7"
	21854	Rubber Footstand Adhesive (Not Shown)
		<b>ALL BRACKETS - SEE BRACKET PAGE</b>
		<b>ALL FILL &amp; HYDROTEST ADAPTERS - SEE ADAPTERS PAGE</b>
All Valve Assemblies include Valve Body, Gauge, Collar Nut, O-Ring, Lever and Handle		



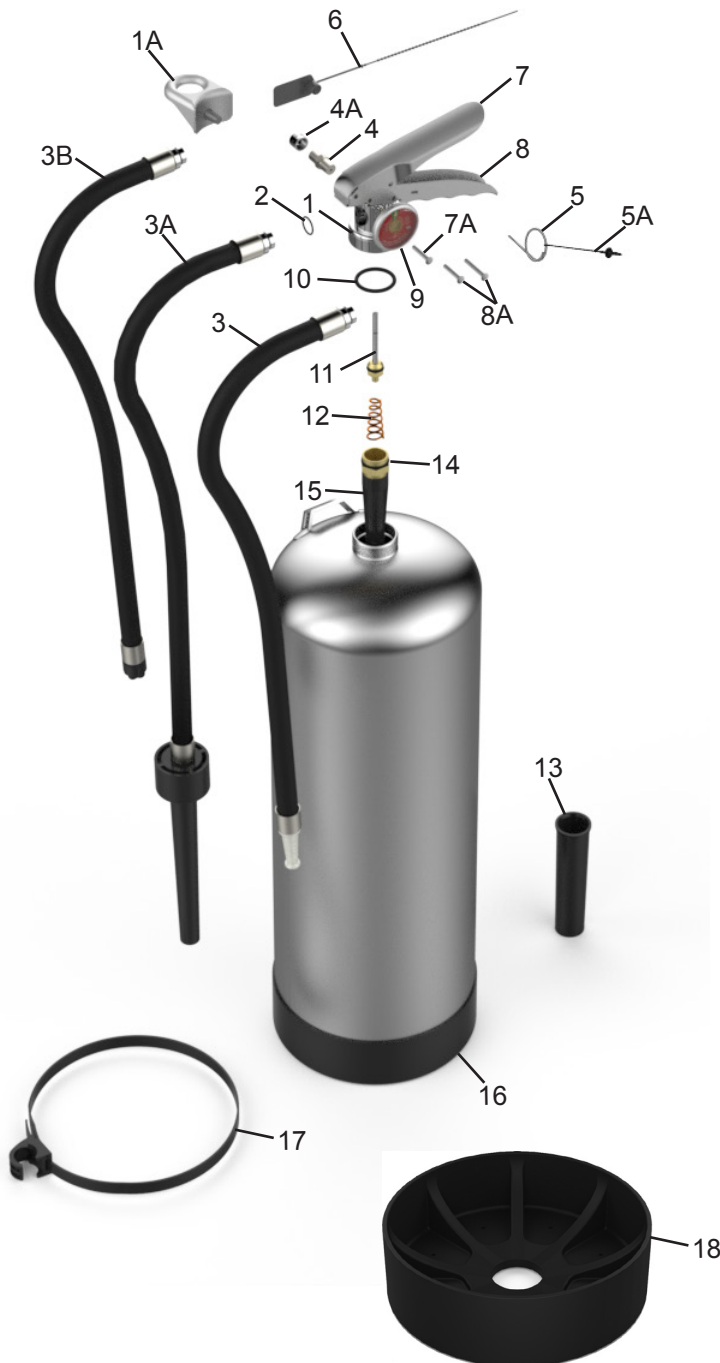


# PARTS LIST

## for

### 6 Liter and 2 1/2 Gal. Water & Foam Models

240 - 2 1/2 Gallon Water  
 250 - 2 1/2 Gallon AR-AFFF Foam  
 252 - 2 1/2 Gallon FFFP Foam  
 254 - 6 Liter AR-AFFF Foam

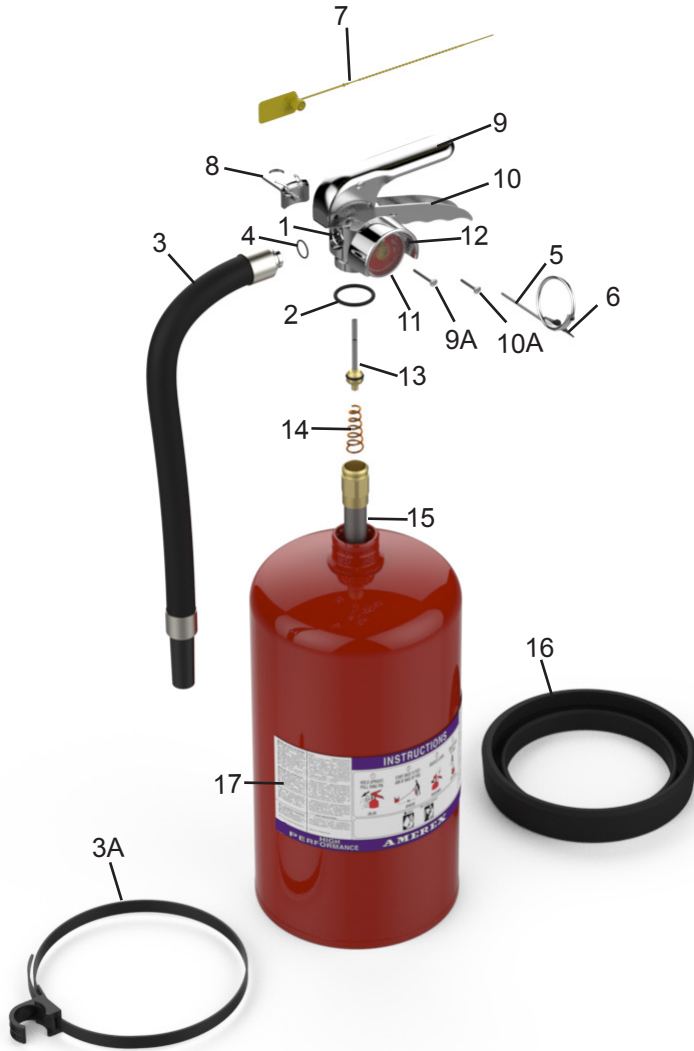


ITEM NO.	PART NO.	DESCRIPTION
1	13281	Valve Assembly - 240 w/ air valve
	17616	Valve Assembly - 250, 252, 254 w/o air valve
1A	14380	Hanger Loop with Screw (OPTIONAL ON FOAM)
2	06978	Hose Gasket (O-Ring)
3	06999	Hose & Nozzle Assembly - 240
3A	07000	Hose & Aspirated Black Nozzle Assembly - 250
	06982	Hose & Aspirated Gray Nozzle Assembly - 252
3B	13162	Hose & Spray Nozzle Assembly - 254
4	00155	Pressure Valve & Cap Assembly - 240 Only
4A	00158	Cap Only for Pressure Valve - 240 Only
5	00160	Ring, Pin Stainless Steel
5A	00532	Chain (Nylon) for Ring Pin
6	01387	Lock Wire Seal (Yellow)
7	07762	Lever & Rivet - <b>ALL MODELS</b>
7A	01563	Rivet Only for Lever
8	09020	Handle & Rivets - <b>ALL MODELS</b>
8A	01564	Rivets Only for Handle (2 Required)
9	06479	Gauge - 100 PSI (S/S Tube)
10	05240	Collar O-Ring
11	06093	Valve Stem Assembly
12	00383	Spring
13	02595	Fill Tube
14	05690	O-Ring Downtube / Retainer
	15943	Downtube/Retainer Ass'y - 240,250,252
15	15941	Downtube/Retainer Ass'y - 254
	03576	Foot Stand with Clip (Black) - 240
	03776	Foot Stand with Post (Black) - 250, 252
16	03109	Foot Stand (Black) - 254
	14776	Strap & Clip Assembly (Model 254 Only)
17	21777	Rubber Footstand 7"
*	21854	Rubber Footstand Adhesive
		<b>ALL BRACKETS - SEE BRACKET PAGE</b>
		<b>ALL FILL &amp; HYDROTEST ADAPTERS - SEE ADAPTERS PAGE</b>
All Valve Assemblies include Valve Body, Gauge, Collar Nut, O-Ring, Lever and Handle		
* Not Shown		



# PARTS LIST for 6 Kg - 30 lb. Dry Chemical High Performance Models

- |                    |                    |                    |
|--------------------|--------------------|--------------------|
| 564 - 20lb. ABC CF | 568 - 30lb. REG FF | 589 - 30lb. ABC CF |
| 566 - 20lb. PK FF  | 569 - 30lb. PK FF  | 591 - 30lb. PK CF  |
| 567 - 30lb. ABC FF | 580 - 20lb. PK FF  | 592 - 6kg. ABC CF  |
|                    | 581 - 20lb. ABC FF | 594 - 6kg. ABC FF  |
|                    | 582 - 20lb. REG FF | 595 - 6kg. PK FF   |
|                    | 584 - 20lb. PK FF  | 599 - 6kg. PK CF   |



ITEM NO.	PART NO.	DESCRIPTION
1	14874	Valve Assembly - (Female Outlet Thread)
2	05240	Collar O-Ring
3*	14785	Hose & Horn Assembly - 594 (.213)
	14791	Hose & Horn Assembly - 595 (.204)
	14788	Hose & Horn Assembly - 580, 581, 582 (.250)
	14790	Hose & Horn Assembly - 592 (.166)
	14794	Hose & Horn Assembly - 599 (.149)
	14787	Hose & Horn Assembly - 564 (.166)
	14786	Hose & Horn Assembly - 566 (.157)
	14789	Hose & Horn Assembly - 567, 568, 569, 584 (.312)
	14947	Hose & Horn Assembly - 589 (.213)
	14948	Hose & Horn Assembly - 591 (.180)
3A	14778	Strap & Clip Assembly (Black Plastic) 1/2" Hose 6kg (13.2 lb.) & 20 lb.
	14871	Strap & Clip Assembly (Black Plastic) 1/2" Hose 30 lb.
4	06978	Hose Gasket (O-Ring)
5	00160	Ring, Pin Stainless Steel
6	00532	Chain (Nylon) for Ring Pin
7	01387	Lock Wire Seal (Yellow)
8	09584	Hanger Loop with Screw
9	09840	Lever & Rivet - <b>ALL MODELS</b>
9A	01563	Rivet Only for Lever
10	09020	Handle & Rivets - <b>ALL MODELS</b>
10A	01564	Rivets Only for Handle (2 Required)
11	05225	Gauge - 240 PSI
12	09102	Gauge Guard, Chrome Plated Brass
13	06093	Valve Stem Assembly
14	00383	Spring
15	01700	Downtube/Retainer Ass'y - 6kg (13.2 lb.)
	01667	Downtube/Retainer Ass'y - 20 lb.
	09583	Downtube/Retainer Ass'y - 30 lb.
16	12383	Protective Foot Ring for Bottom of Cylinder 7" DIA - 20lb. & 6kg. (13.2lb.)
	12952	Protective Foot Ring for Bottom of Cylinder 8" DIA - 30lb.
17	23504	Nameplate 592, 594
	23505	Nameplate 595, 599
	23506	Nameplate 564, 581
	23507	Nameplate 566, 580, 584
	23508	Nameplate 582
	23509	Nameplate 567, 589
	23510	Nameplate 569, 591
	23511	Nameplate 568
		All Valve Assemblies include Valve Body, Gauge, Gauge Guard, Hanger Loop, Lever and Handle

\* Nameplates do not include UL and USCG Listing.

\* Hose assemblies for older extinguishers utilizing a swivel type connector are no longer available. Order valve assembly 14874 and hose listed above for that model.

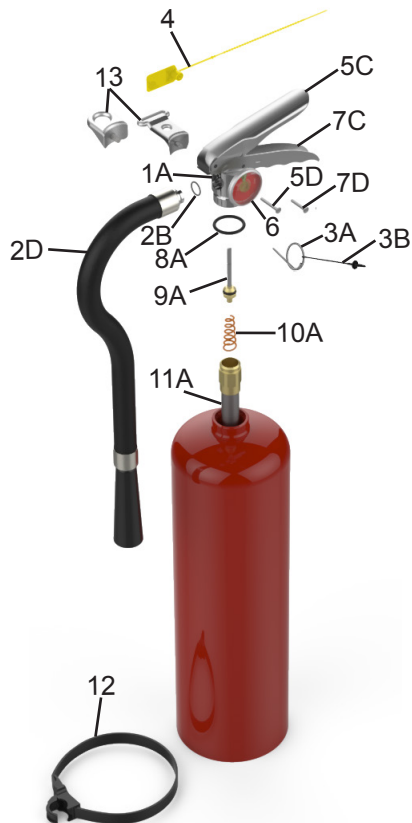
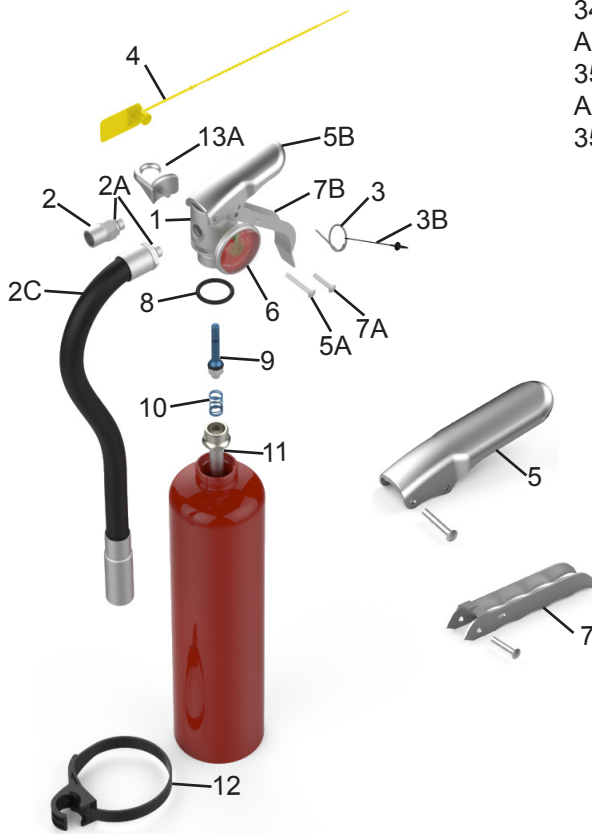


# PARTS LIST

for

## 1 1/4 - 20 lb. Halon 1211 Extinguisher Models

- |                    |                |               |
|--------------------|----------------|---------------|
| 344 - 1 1/4 lb.    | A/C354 - 3 lb. | 371 - 13 lb.  |
| A344 - 1 1/4 lb.   | 355 - 5 lb.    | B371 - 13 lb. |
| 352 - 2 1/2 lb.    | A355 - 5 lb.   | 361 - 17 lb.  |
| A/C352 - 2 1/2 lb. | B355 - 5 lb.   | B361 - 17 lb. |
| 354 - 3 lb.        | 369 - 9 lb.    | 372 - 20 lb.  |
|                    | B369 - 9 lb.   | B372 - 20 lb. |



ITEM NO.	PART NO.	DESCRIPTION
1	11953	Valve Assembly - ALUMINUM MODELS (Except 344, A344)
	12597	Valve Assembly - 344, A344
1A	11954	Valve Assembly - ALL BRASS MODELS
2	06066	Nozzle with O-Ring - 344, A344 (.067)
	07115	Nozzle with O-Ring - 352, A/C352 (.098)
	01727	Nozzle with O-Ring - 355, A/B355 (.144)
2A	01532	Hose/Nozzle Gasket (O-Ring) - Aluminum Valve
2B	06978	Hose Gasket (O-Ring) - Brass Valve
2C	06421	Hose & Horn Assembly - 354, A/C354 (.098)
2D	05180	Hose & Horn Assembly - 369, B369 (.216)
	05178	Hose & Horn Assembly - 371, B371 (.234)
	05176	Hose & Horn Assembly - 361 (.152)
	05174	Hose & Horn Assembly - 372 (.177)
3	16268	Ring Pin 1 1/4 lb., 2 1/2 lb.
3A	00160	Ring Pin, Stainless Steel
3B	00532	Chain (Nylon) for Ring Pin
4	01387	Lock Wire Seal (Yellow)
5	11825	Lever & Rivet
5A	01060	Rivet Only for Lever - ALL ALUMINUM MODELS
5B	02625	Lever & Rivet - MOD Valve
5C	07762	Lever & Rivet - Brass Valve Models
5D	01563	Rivet Only for Lever - Brass Valve
6	04839	Gauge - 100 PSI - 344, A344
	03105	Gauge - 125 PSI - 352, A/C352, 355, A/B355
	03106	Gauge - 195 PSI - 354, A/C354, B361, 369, B369, 371, B371, 372
7	11826	Handle & Rivet
7A	01064	Rivet Only for Handle - ALL ALUMINUM MODELS
7B	09001	Handle & Rivet - MOD Valve
7C	09020	Handle & Rivet - Brass Valve
7D	01564	Rivets for Handle (2 Required) - Brass Valve
8	05241	Collar O-Ring - Aluminum Valve
8A	05240	Collar O-Ring - Brass Valve
9	06092	Valve Stem Assembly - Aluminum Valve
9A	06093	Valve Stem Assembly - Brass Valve
10	01074	Spring - All Aluminum Valve
10A	00383	Spring - All Brass Valve
11	06069	Downtube/Retainer Ass'y - 344, A344
	01075	Downtube/Retainer Ass'y - 352, A/C352, 354, A/C354
	06212	Downtube/Retainer Ass'y - 355, A/B355
11A	03754	Downtube/Retainer Ass'y - 369, B369
	02609	Downtube/Retainer Ass'y - 371, B371
	01667	Downtube/Retainer Ass'y - B361, B372
12	15747	Strap & Clip Assembly (Black Plastic) 3/8" Hose 354, A/C354
	14778	Strap & Clip Assembly (Black Plastic) 1/2" Hose 361, 372, 369, B369, 371, B371
13	15363	Hanger Loop with Screw B371
	16694	Hanger Loop with Screw 361, B369, 372
13A	14220	Hanger Loop with Screw - Aluminum Valve
		<b>ALL BRACKETS - SEE BRACKET PAGE</b>
		<b>ALL FILL &amp; HYDROTEST ADAPTERS - SEE ADAPTERS PAGE</b>
		All Valve Assemblies include Valve Body, Gauge, Lever and Handle (Loop and Screw 11953)

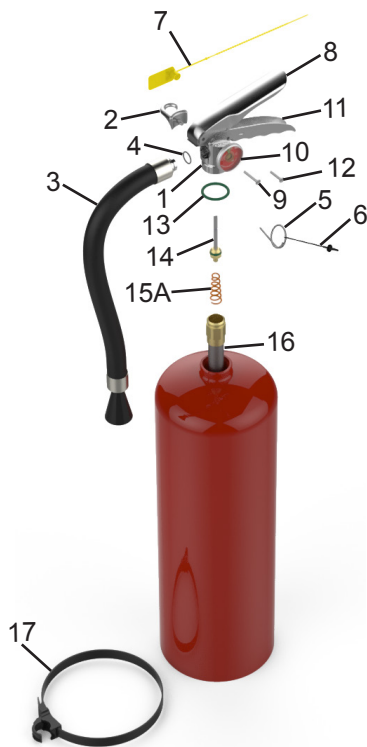
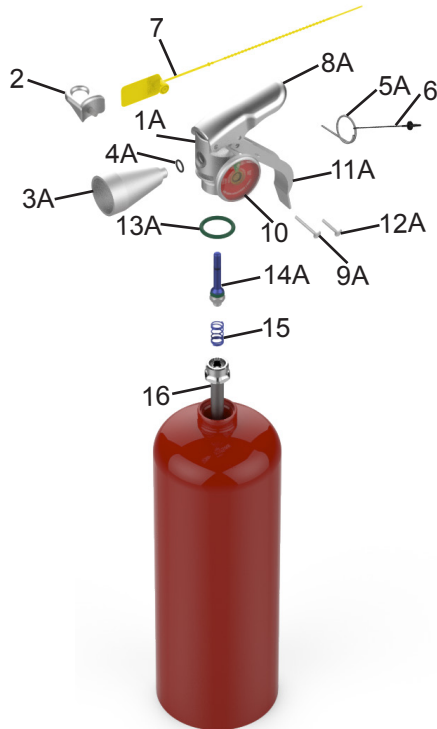


# PARTS LIST

## for

### 1.4lb. - 15½ lb. Halotron I Extinguisher Models

- |                 |                 |
|-----------------|-----------------|
| A384 - 1.4lb.   | 387 - 11lb.     |
| A385 - 2 1/2lb. | 397 - 11lb.     |
| B385 - 2 1/2lb. | 388 - 15 1/2lb. |
| A386 - 5lb.     | 398 - 15 1/2lb. |
| B386 - 5lb.     |                 |
| B394 - 5 1/2lb. |                 |



ITEM NO.	PART NO.	DESCRIPTION
1	14527	Valve Assembly - 387, 388, 397, 398
1A	14525	Valve Assembly - 384
	14526	Valve Assembly - 385, B385, 386, B386
	16331	Valve Assembly - B394
2	14220	Hanger Loop with Screw - 384, A/B385, A/B386, B394
	16694	Hanger Loop with Screw - 387, 388, 397, 398
3	14436	Hose & Nozzle Assembly - 387, 397 (.247)
	14449	Hose & Nozzle Assembly - 388, 398, (.295)
3A	14407	Nozzle - 384 (.121)
	14408	Nozzle - A/B385 (.166)
	14409	Nozzle - A/B386, B394 (.277)
4	06978	O-Ring Hose Assembly, Brass Valve
4A	01532	O-Ring, Nozzle - Aluminum Valve
5	00160	Ring Pin
5A	16268	Ring Pin 1 1/4, 2 1/2
6	00532	Chain (Nylon) for Ring Pin - <b>ALL</b>
7	01387	Lock Wire Seal (Yellow) - <b>ALL</b>
8	07762	Lever & Rivet - All Brass Valve
8A	02625	Lever & Rivet - MOD Aluminum Valve
	11825	Lever & Rivet - Aluminum Valve
9	01563	Rivet Only for Lever - Brass Valve
9A	01060	Rivet Only for Lever - Aluminum Valve
10	14418	Gauge - 125 PSI - 384, 387, 388, 397, 398
	14417	Gauge - 100 PSI - A/B385, A/B386
	16332	Gauge - 150 PSI - B394
11	09020	Handle & Rivets - 387, 388, 397, 398
11A	09001	Handle & Rivet - MOD Aluminum Valve
	11826	Handle & Rivet - Aluminum Valve
12	01564	Rivet Only for Handle (2 Required) - Brass Valve
12A	01064	Rivet Only for Handle - Aluminum Valve
13	13305	Collar O-Ring (Green) - Brass Valve
13A	14268	Collar O-Ring (Green) - Aluminum Valve
14	13288	Valve Stem Assembly (Green Seal) - Brass Valve
14A	14327	Valve Stem Assembly (Green Seal) - Aluminum Valve
15	01074	Spring - All Aluminum Valve
15A	00383	Spring - All Brass Valve
16	06069	Downtube/Retainer Ass'y - 384
	01075	Downtube/Retainer Ass'y - 385
	06212	Downtube/Retainer Ass'y - A/B386, B385, B394
	15507	Downtube/Retainer Ass'y - 397, 398
17	14778	Strap & Clip Assembly (Black Plastic) 1/2" Hose 387, 388, 397, 398

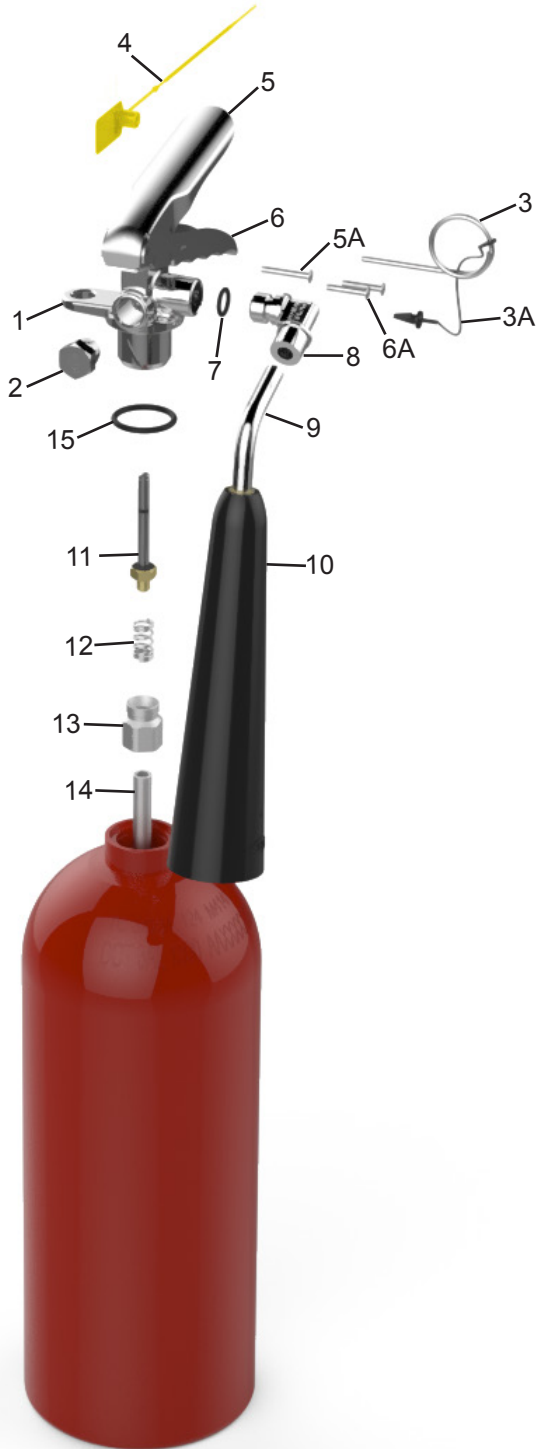
All Valve Assemblies include New Valve Body, Gauge, Lever and Handle. (Loop & Screw 14526 also includes hanger loop.) (16331 is complete valve w/ downtube)



## PARTS LIST for 2½ / 5 lb. Carbon Dioxide Extinguisher Model

- 320 - 2 1/2 lb.
- 320NM - 2 1/2 lb.
- 321 - 2 1/2 lb.
- 321M - 2 1/2 lb.
- 322 - 5 lb.
- 322NM - 5 lb.

NM - Non Magnetic  
M - Military



ITEM NO.	PART NO.	DESCRIPTION
1	03090	Valve Assembly - 322, (Does not include elbow or downtube)
	22403	Valve Assembly - 320
	22455	Valve Assembly - 321M
2	04000	Safety Disc, Gasket and Nut Assembly - 320, 322
	22895	Safety Disc, Gasket and Nut Assembly - 321M
3	00160	Ring Pin, Stainless Steel - 322
	06901	Ring Pin, Stainless Steel Non-Magnetic - 320NM, 322NM
	16268	Ring Pin, Stainless Steel (Small) - 320, 321, 321M
3A	00532	Chain (Nylon) for Ring Pin
4	01387	Lock Wire Seal (Yellow) - <b>ALL</b>
	07762	Lever & Rivet - 322
5	23076	Lever & Rivet - 320, 321M
	01563	Rivet Only for Lever
6	09020	Handle & Rivets - 322
	23077	Handle & Rivets - 320, 321M
6A	01564	Rivet Only for Handle (2 Required)
	05689	O-Ring for Elbow
8	02735	Elbow with O-Ring
	01769	Discharge Tube - 322
9	22582	Discharge Tube - 320, 321M
	01772	Horn - 322
10	22400	Horn - 320, 321M
	01539	Valve Stem Assembly
12	00501	Spring
13	00503	Retainer
14	00533	Downtube - 322
	22443	Downtube - 320, 321M
15	01124	Collar O-Ring - 1 1/8"

All Valve Assemblies include Valve Body, Valve Stem Assembly, Spring, Retainer, Safety Disc, Lever and Handle

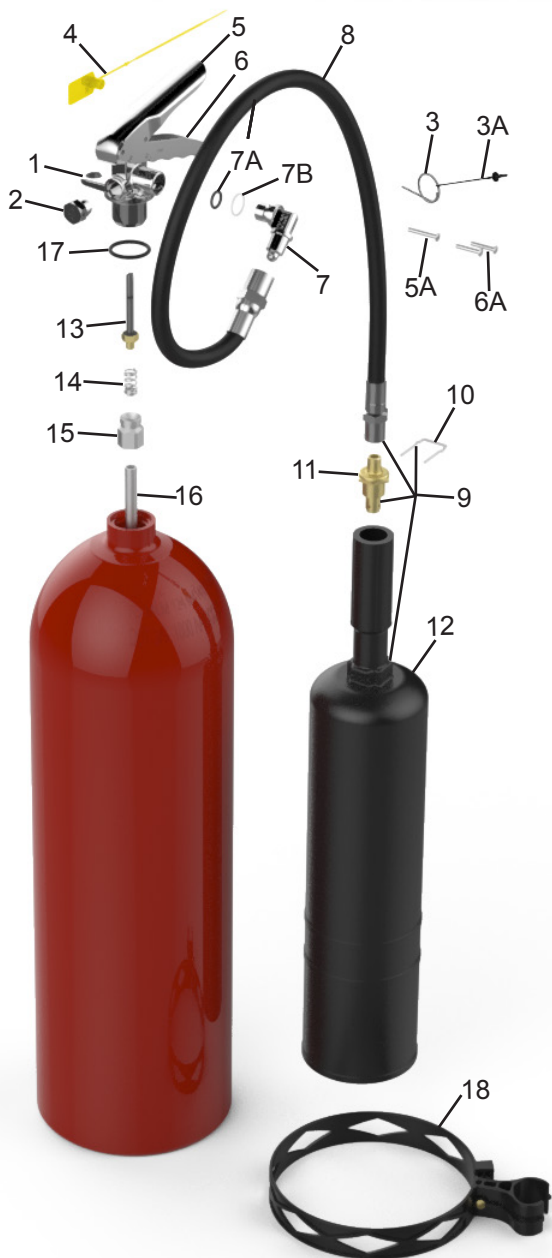


# PARTS LIST

## for

### 10 - 20 lb. Carbon Dioxide Extinguisher Models

330 - 10 lb.  
331 - 15 lb.  
332 - 20 lb.



ITEM NO.	PART NO.	DESCRIPTION
1	03090	Valve Assembly (Does not include elbow or downtube)
2	04000	Safety Disc, Gasket and Nut Assembly
3	00160	Ring Pin, Stainless Steel
	06901	Ring Pin, Stainless Steel Non Magnetic
3A	00532	Chain (Nylon) for Ring Pin
4	01387	Lock Wire Seal (Yellow) - <b>ALL</b>
5	07762	Lever & Rivet
5A	01563	Rivet Only for Lever
6	09020	Handle & Rivets
6A	01564	Rivet Only for Handle (2 Required)
7	02309	Elbow with O-Ring and Spacer
7A	05689	O-Ring for Elbow
7B	02216	Nylon Spacer for Elbow
8	01776	Hose Assembly - 330, 331, 332
9	01782	Hose & Horn Assembly - 330
	01705	Hose & Horn Assembly - 331, 332
10	00594	U-Pin
11	01777	Nozzle
12	00572	Horn - 330
	00593	Horn - 331, 332
13	01539	Valve Stem Assembly
14	00501	Spring
15	00503	Retainer
16	00564	Downtube - 330
	00589	Downtube - 331, 332
17	01124	Collar O-Ring - 1 1/8"
18	20570	Strap & Clip - 330, 331
	20571	Strap & Clip - 332

All Valve Assemblies include Valve Body, Stem Assembly, Spring, Retainer, Safety Disc, Lever and Handle  
\* Not Shown



# PARTS LIST for 30 lb. Class D Extinguisher Models

570 - Sodium Chloride (Super D)  
B570 - Sodium Chloride (Super D)  
571 - Copper  
B571 - Copper



ITEM NO.	PART NO.	DESCRIPTION
1	11952	Valve Assembly
1A	17144	Hanger Loop with Screw B570, B571
2	05240	Collar O-Ring
3	10744	Hose Ass'y w/ 1/2" Male Quick Connect
4	10802	Female 1/2" Female Quick Connect
4A	09073	O-Ring for Quick Connect
5	10800	Extension Applicator
5A	14595	Horn
6	06978	Hose Gasket (O-Ring)
7	00160	Ring Pin, Stainless Steel
8	00532	Chain (Nylon) for Ring Pin
9	01387	Lock Wire Seal (Yellow)
10	07762	Lever & Rivet
11	01563	Rivet Only for Lever
12	09020	Handle & Rivets
13	01564	Rivets Only for Handle (2 Required)
14	03965	Gauge - 195 PSI
15	06093	Valve Stem Assembly
16	00383	Spring - 570, 571
	17139	Spring - B570, B571
17	17215	Downtube/Retainer Ass'y - 570, 571
	17214	Downtube/Retainer Ass'y - B570, B571
18	23068	Strap & Clip - 570, 571
	20572	Strap & Clip - B570, B571
19	12383	Protective Ring for 7" Cylinder 570, 571
	12952	Protective Ring for 8" Cylinder B570, B571
20	08281	Label (Fire Ratings) - 570/B570
	10853	Label (Fire Ratings) - 571/B571

All Valve Assemblies include Valve Body, Gauge, Lever and Handle

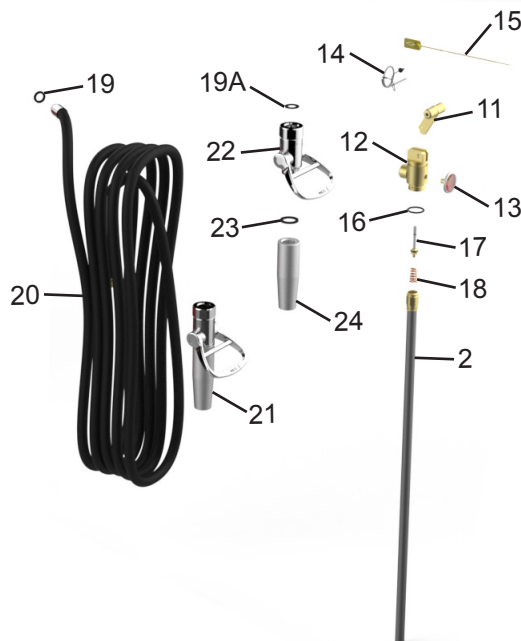
\* To replace old style hose use 10744 and 10800.





# PARTS LIST for 50 lb. Dry Chemical Wheeled/Stationary Extinguisher Models

- 495 - 50 lb. ABC
- 496 - 50lb. REG
- 497 - 50lb. PK
- 473 - 50lb. ABC STA
- 474 - 50lb. REG STA
- 475 - 50lb. PK STA



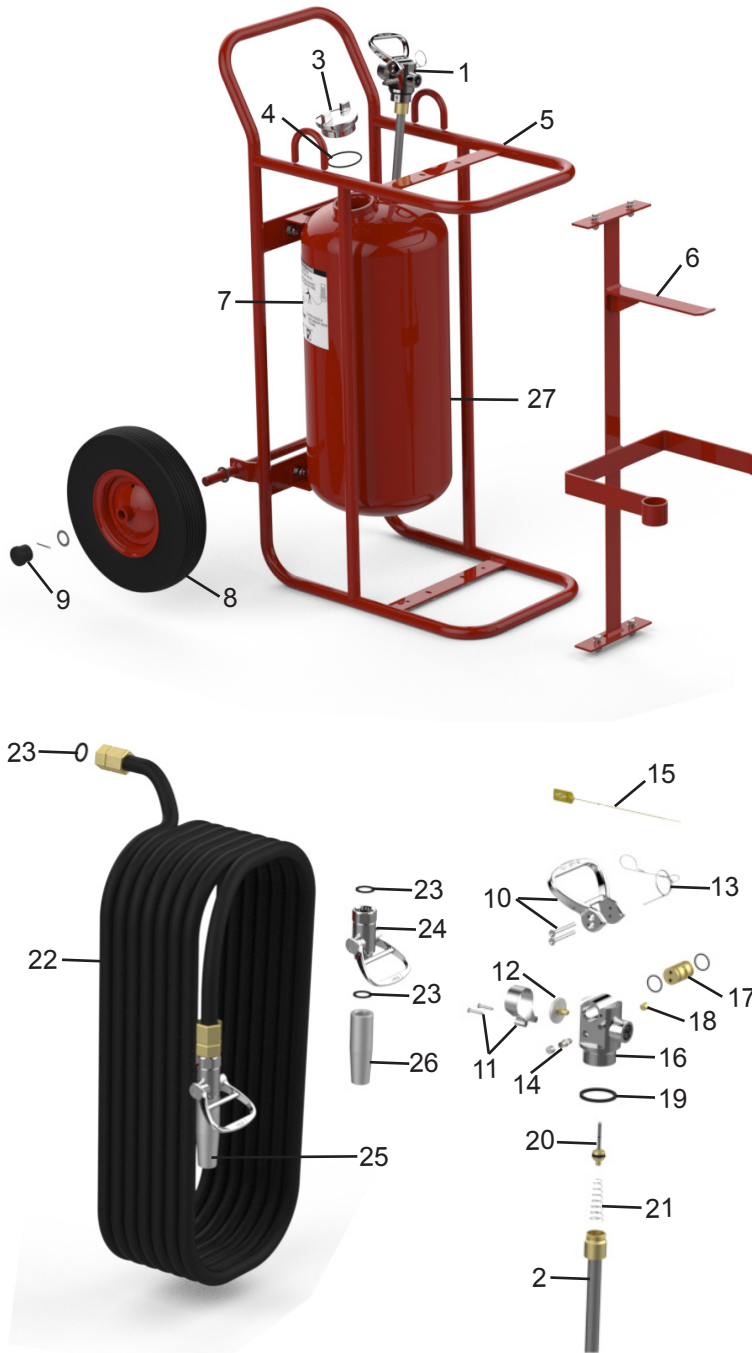
ITEM NO.	PART NO.	DESCRIPTION
1	06018	Valve Assembly Complete with Downtube
2	06072	Downtube/Retainer Assembly
3	06625	Carriage Assembly without Wheels
4	00155	Pressure Valve and Cap Assembly (Older Models Only)
5	06374	Hose Support with Hardware, Hose Clip and Nozzle Mount
6	06375	Hose Clip with Mounting Hardware (Older Models Only)
7	06376	Nozzle Mount with Hardware
8	07480	Pictogram - Model 495, 473
	07482	Pictogram - Models 496, 497, 474, 475
9	06377	Wheel Assembly 12½" with Hub Cap, Washer and Retaining Pin (Semi-Pneumatic)
10	04945	Hub Cap
11	06373	Valve Lever ("T" Handle - Complete)
12	06153	Valve Body
13	05225	Gauge - 240 PSI
14	06100	Ring Pin, Stainless Steel with Wire
15	01387	Lock Wire Seal (Yellow)
16	05240	Collar O-Ring
17	06022	Valve Stem Assembly
18	00383	Spring
19	07247	Gasket, Hose
19A	06056	Gasket Valve
20	06015	Hose Assembly 25 ft. with Gasket
21	06397	Nozzle Assembly (Ball Valve & Tip) - 495, 473
	06395	Nozzle Assembly (Ball Valve & Tip) - 496, 474
	06396	Nozzle Assembly (Ball Valve & Tip) - 497, 475
22	06031	Ball Valve Assembly
23	03877	Gasket, Nozzle
24	06208	Nozzle Tip - 495, 473 (.328)
	06032	Nozzle Tip - 496, 474 (.265)
	06210	Nozzle Tip - 497,475 (281)

Replacement Valve Assemblies include Valve Body, Gauge, Lever, Valve Stem Assembly, Spring and Downtube/Retainer Assembly



# PARTS LIST for 125/150 lb. Dry Chemical Stored Pressure Wheeled/Stationary Extinguisher Models

488 - 125lb. ABC      476 - 125lb. ABC STA.  
489 - 150lb. REG      477 - 150lb. REG STA.  
490 - 125lb. PK      478 - 125lb. PK STA.



ITEM NO.	PART NO.	DESCRIPTION
1	05197	Valve Assembly Complete with Downtube
2	04938	Downtube/Retainer Assembly
3	09300	Fill Cap
4	08392	Gasket, Fill Cap
5	10431	Carriage Assembly without Wheels
6	10430	Hose Support with Hardware
7	07481	Pictogram - 488, 476
	07483	Pictogram - 489, 490, 477, 478
8	07751	Wheel Assembly 16" with Hub Cap, Washer and Retaining Pin (Semi-Pneumatic)
	10234	Wheel Assembly 16" with Hub Cap, Washer and Retaining Pin (Pneumatic) (OPTIONAL)
9	04945	Hub Cap
10	06059	Valve Lever with Screws
11	03562	Gauge Guard Assembly
12	05225	Gauge - 240 PSI
13	06100	Ring Pin, Stainless Steel with Wire
14	00155	Pressure Valve and Cap Assembly
15	01387	Lock Wire Seal (Yellow)
16	03678	Valve Body
17	06060	Cam Assembly with O-Rings
18	14218	Pipe Plug - For Safety Disc Port
	03787	Safety Disc Assembly (OPTIONAL)
19	05239	Collar O-Ring
20	05067	Valve Stem Assembly
21	03556	Spring
22	03501	Hose Assembly 50 ft. without Gasket
23	03877	Gasket, Hose and Nozzle
24	06279	Ball Valve Assembly
25	05191	Nozzle Assembly (Ball Valve & Tip) - 488, 489, 476, 477
	07432	Nozzle Assembly (Ball Valve & Tip) - 490, 478
26	06470	Nozzle Tip - 488, 489, 476, 477 (.344)
	06208	Nozzle Tip - 490, 478 (.328)
27	10467	Cylinder

Replacement Valve Assemblies include Valve Body, Gauge, Gauge Guard, Cam, Pressure Valve & Cap, Lever, Valve Stem Assembly, Spring, Downtube/Retainer Assembly

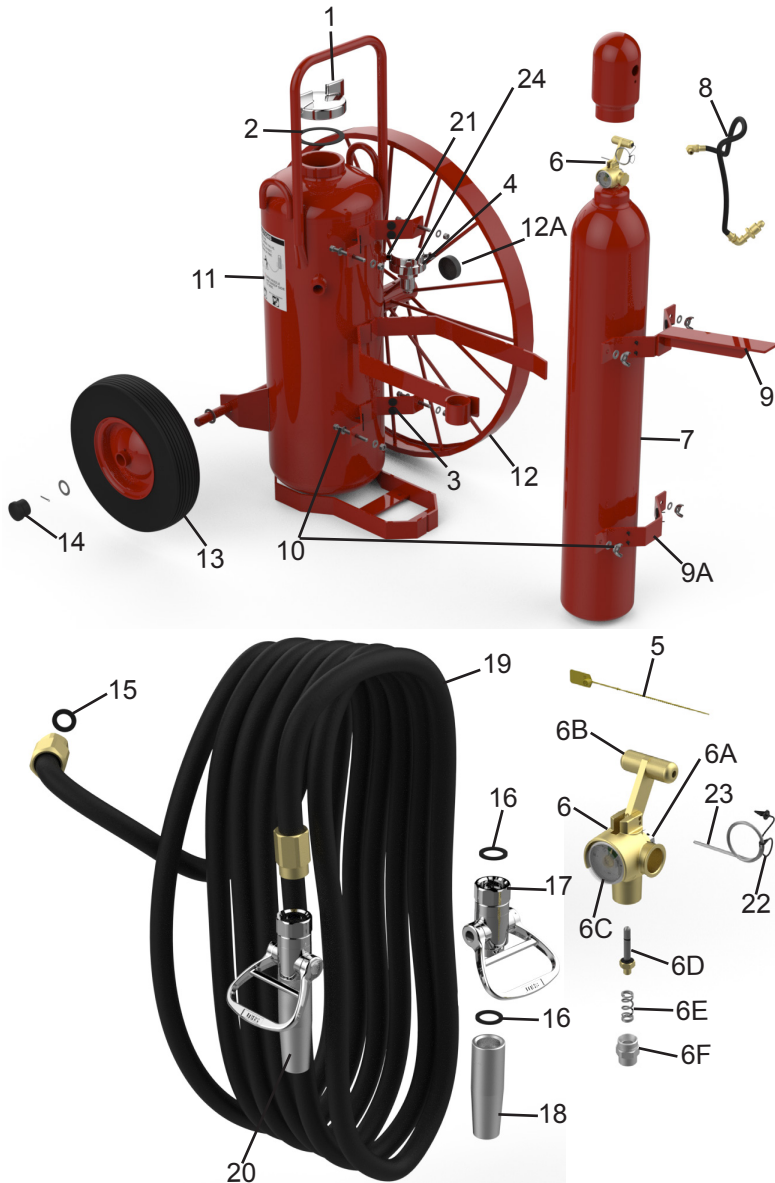


# PARTS LIST

## for

### 125/150 lb. Dry Chemical 110 CU. FT. Nitrogen Cylinder Wheeled/Stationary Extinguisher Models

16" WHEELS	36" WHEELS	STATIONARY
467 - 125lb. ABC	470 - 125lb. ABC	484 - 125lb. ABC
468 - 150lb. REG	471 - 150lb. REG	485 - 150lb. REG
469 - 125lb. PK	472 - 125lb. PK	486 - 125lb. PK

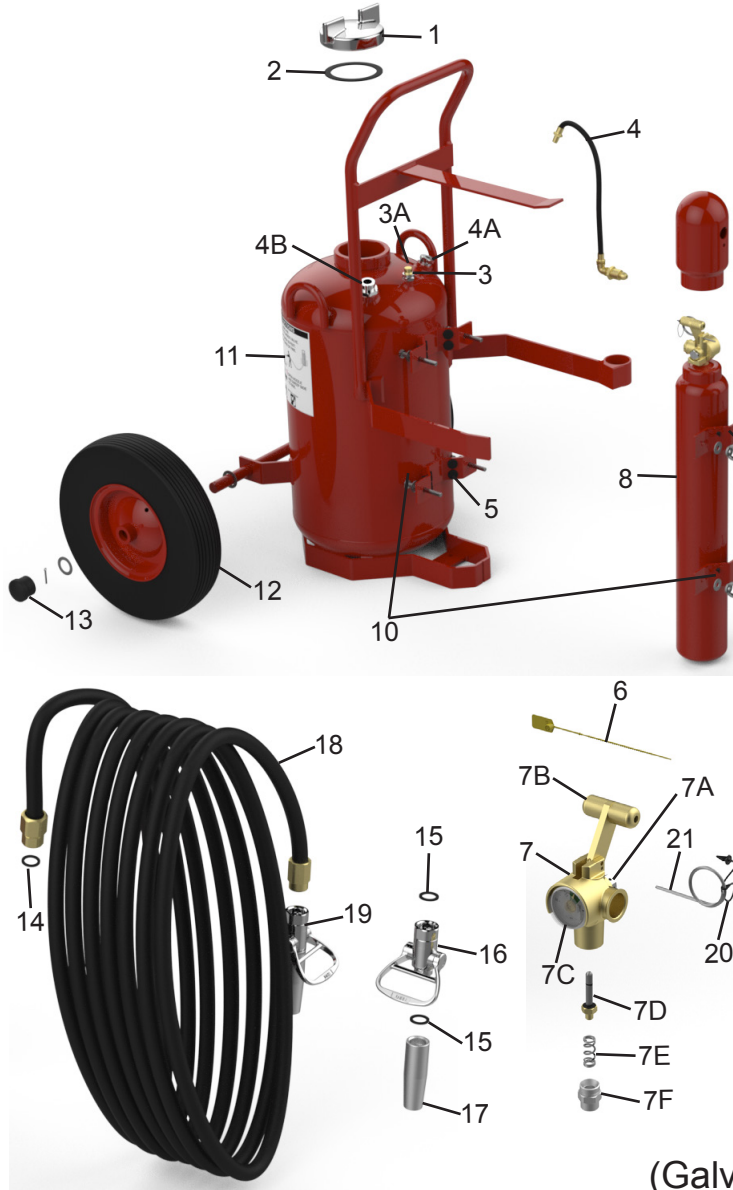


ITEM NO.	PART NO.	DESCRIPTION
1	06993	Cap, Agent Cylinder
	12576	Cap, Agent Cylinder with Pressure Indicator
2	02272	Gasket, Cap
3	13958	Bumper, Rubber
4	02235	Nitrogen Pressure Regulator
5	01387	Lock Wire Seal (Yellow)
6	12467	Nitrogen Valve with Gauge ("T" Handle Quick Release)
6A	16516	Safety Disc, Gasket and Nut Assembly
6B	06373	Valve Lever ("T" Handle - Complete)
6C	10213	Gauge - 3000 PSI
6D	09897	Valve Stem Assembly
6E	12466	Spring
6F	09627	Retainer
7	04128	Nitrogen Cylinder (110 cu. ft.) - Charged with Cap
8	02234	Nitrogen Hose Assembly
9	11024	Retaining Strap (Top) - Nitrogen Cylinder
9A	11021	Retaining Strap (Bottom) - Nitrogen Cylinder
10	16483	Bolt, Washer and Wing Nut
	07485	Pictogram - 467, 470, 485
11	07484	Pictogram - 468, 469, 471, 472, 486
	07025	Wheel Assembly - 36" x 2 1/2"
12	07050	Wheel Assembly - 36" x 2 1/2" with Rubber Tread
	12A	16984
13	07751	Wheel Assembly 16" with Hub Cap, Washer and Retaining Pin (Semi-Pneumatic)
	10234	Wheel Assembly 16" with Hub Cap, Washer and Retaining Pin (Pneumatic) (OPTIONAL)
14	04945	Hub Cap - 16" Wheels
15	07411	Moisture Seal
16	03877	Gasket, Hose and Nozzle
17	06279	Ball Valve Assembly
18	06032	Nozzle Tip (.265)
19	03501	Hose Assembly - 50 ft.
20	07574	Nozzle Assembly (Ball Valve & Tip)
21	04523	1/4 SS Pipe Nipple
22	00532	Chain (Nylon) for Ring Pin
23	00160	Ring Pin Stainless Steel
24	04444	1/4 MXF Elbow



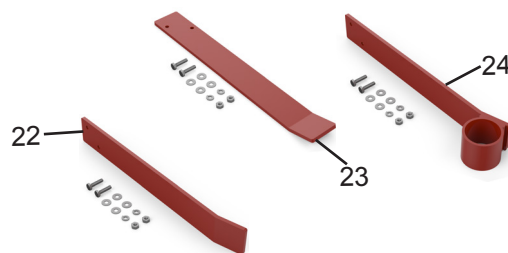
# PARTS LIST for 125/150 lb. Dry Chemical 23 CU. FT. Nitrogen Cylinder Wheeled/Stationary Extinguisher Models

450 - 125lb. ABC    481 - 125lb. ABC STA.  
451 - 150lb. REG    482 - 150lb. REG STA.  
452 - 125lb. PK    483 - 125lb. PK STA.  
452OS - 125lb. PK



ITEM NO.	PART NO.	DESCRIPTION
1	06993	Cap, Agent Cylinder
	12576	Cap, Agent Cylinder with Pressure Indicator
2	02272	Gasket, Cap
3	03787	Safety Disc Assembly
3A	13956	Protective Vinyl Cap
4	03818	Nitrogen Hose Assembly
4A	03785	Nitrogen Tube Assembly
4B	03784	Downtube Assembly
5	13958	Bumper, Rubber
6	01387	Lock Wire Seal (Yellow)
7	12467	Nitrogen Valve with Gauge ("T" Handle Quick Release)
7A	16516	Safety Disc, Gasket and Nut Assembly
7B	06373	Valve Lever ("T" Handle - Complete)
7C	10213	Gauge - 3000 PSI
7D	09897	Valve Stem Assembly
7E	12466	Spring
7F	09627	Retainer
8	03817	Nitrogen Cylinder (23 cu. ft.) - Charged with Cap
9	04072	Retaining Strap - Nitrogen Cylinder
10	11970	Bolt, Washer and Wing Nut
11	07485	Pictogram - 450, 481
	07484	Pictogram - 451, 452, 452OS, 482, 483
12	07751	Wheel Assembly 16" with Hub Cap, Washer and Retaining Pin (Semi-Pneumatic)
	10234	Wheel Assembly 16" with Hub Cap, Washer and Retaining Pin (Pneumatic) (OPTIONAL)
13	04945	Hub Cap - 16" Wheels
14	07411	Moisture Seal
15	03877	Gasket, Hose and Nozzle
16	06279	Ball Valve Assembly
17	06467	Nozzle Tip (.312)
18	03501	Hose Assembly - 50 ft.
19	06717	Nozzle Assembly (Ball Valve & Tip)
20	00532	Chain (Nylon) for Ring Pin
21	00160	Ring Pin Stainless Steel
22	23589	Support Hose Grd Assembly -452OS
23	23588	Support Hose Assembly -452OS
24	23587	Nozzel Mount Hose Grd Assembly -452OS

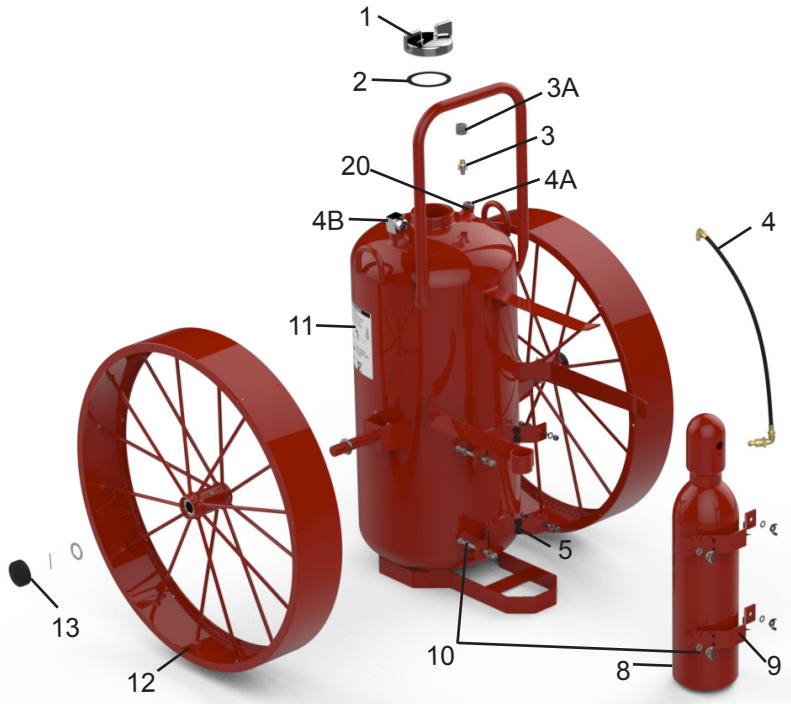
(Galvanized Models Only)





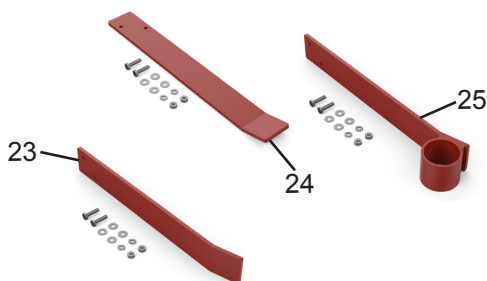
# PARTS LIST for 300/350 lb. Dry Chemical 55 CU. FT. Nitrogen Cylinder Wheeled/Stationary Extinguisher Models

491 - 300lb. ABC      464 - 300lb. ABC STA.  
 492 - 350lb. REG      465 - 350lb. REG STA.  
 493 - 300lb. PK      466 - 300lb. PK STA.  
 493OS - 300lb. PK



ITEM NO.	PART NO.	DESCRIPTION
1	06993	Cap, Agent Cylinder
	12576	Cap, Agent Cylinder with Pressure Indicator
2	02272	Gasket, Cap
3	03787	Safety Disc Assembly
3A	13956	Protective Vinyl Cap
4	07292	Nitrogen Hose Assembly
4A	06789	Nitrogen Tube Assembly
4B	06784	Downtube Assembly
	07575	Downtube Assembly (Vent Models)
5	13958	Bumper, Rubber
6	01387	Lock Wire Seal (Yellow)
7	12467	Nitrogen Valve with Gauge ("T" Handle Quick Release)
7A	16516	Safety Disc, Gasket and Nut Assembly
7B	06373	Valve Lever ("T" Handle - Complete)
7C	10213	Gauge - 3000 PSI
7D	09897	Valve Stem Assembly
7E	12466	Spring
7F	09627	Retainer
8	06809	Nitrogen Cylinder (55 cu. ft.) - Charged with Cap
9	11021	Retaining Strap - Nitrogen Cylinder
10	16483	Bolt, Washer and Wing Nut
11	07485	Pictogram - 491, 464
	07484	Pictogram - 492, 493, 493OS, 466
12	07026	Wheel Assembly 36" x 6" (Red)
	12180	Wheel Assembly 36" x 6" (Red) Glvanized
	15791	Wheel Assembly 36" x 6" (Red) Glvanized with Rubber Tread
	07607	Wheel Assembly 36" x 6" with Rubber Tread
13	07389	Hub Cap with Washer and Cotter Pin
14	07411	Moisture Seal
15	03877	Gasket, Hose and Nozzle
16	06279	Ball Valve Assembly
17	08260	Nozzle Tip - 491, 492, 464, 465(.531)
	08261	Nozzle Tip - 493, 493OS, 466 (.469)
18	06814	Hose Assembly - 50 ft.
	07760	Hose Assembly - 75 ft. (OPTIONAL)
19	07385	Nozzle Assembly (Ball Valve & Tip) - 491, 492, 464, 465
	07387	Nozzle Assembly (Ball Valve & Tip) - 493, 493OS, 466
20	04444	Nitrogen Elbow
21	00532	Chain (Nylon) for Ring Pin
22	00160	Ring Pin Stainless Steel
23	23589	Support Hose Grd Assembly - 493OS
24	23588	Support Hose Assembly - 493OS
25	23587	Nozzel Mount Hose Grd Assembly - 493OS

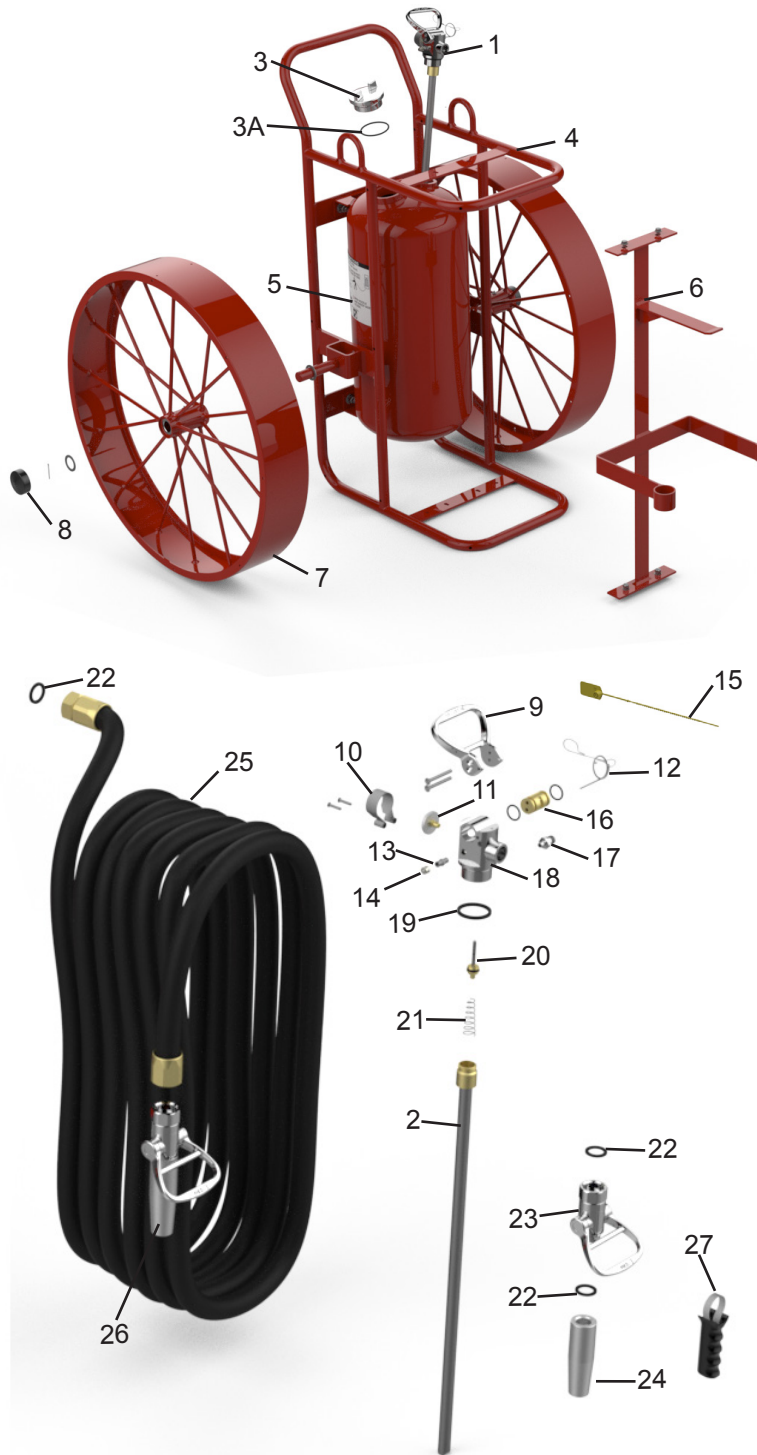
(Galvanized Models Only)





# PARTS LIST for 125/250 lb. Dry Chemical Stored Pressure Wheeled/Stationary High Performance Extinguisher Models

573 - 250lb. ABC    596 - 250lb. ABC STA.  
574 - 250lb. REG    597 - 250lb. REG STA.  
575 - 250lb. PK    598 - 250lb. PK STA.  
690 - 125lb. PK



ITEM NO.	PART NO.	DESCRIPTION
1	08715	Valve Assembly Complete with Downtube
	05197	Valve Assembly Complete with Downtube - 690
2	09856	Downtube/Retainer Assembly
	04938	Downtube/Retainer Assembly - 690
3	09300	Cap, Agent Cylinder
3A	08392	Gasket, Fill Cap
4	12176	Carriage Ass'y (Galvanized) w/o Wheels
	16786	Carriage Ass'y (Galvanized) w/o Wheels - 690
5	07481	Pictogram - 573, 596
	07483	Pictogram - 575, 574, 597, 598, 690
6	09553	Hose Support Ass'y w/ Mounting Hardware
	10430	Hose Support Ass'y w/ Mounting Hardware - 690
7	12180	Wheel Assembly 36" x 6" (Red) Galvanized
	15791	Wheel Assembly 36" x 6" (Red) Galvanized with Rubber Tread
8	07389	Hub Cap with Washer and Cotter Pin
9	06059	Valve Lever with Screws
10	16723	Gauge Guard Assembly
11	08714	Gauge - 350 PSI
	05225	Gauge - 240 PSI - 690
12	06100	Ring Pin, Stainless Steel with Wire
13	07309	Pressure Valve
	03559	Pressure Valve - 690
14	07310	Cap for Pressure Valve
	00158	Cap for Pressure Valve - 690
15	01387	Lock Wire Seal (Yellow)
16	06060	Cam Assembly with O-Rings
17	08573	Safety Disc Assembly (except 690)
	03787	Safety Disc Assembly (optional on 690)
	13956	Protective Vinyl Cap
	14218	Pipe Plug - 690
18	03678	Valve Body
19	05239	Collar O-Ring
20	05067	Valve Stem Assembly
21	03556	Spring
22	03877	Gasket, Hose / Nozzle
23	06279	Ball Valve Assembly
24	09399	Nozzle Tip - 573, 574, 596, 597 (.625)
	08260	Nozzle Tip - 575, 598, 690 (.531)
25	06814	Hose Assembly - 50 ft.
26	09543	Nozzle Assembly (Ball Valve & Tip) - 573, 574, 596, 597
	07385	Nozzle Assembly (Ball Valve & Tip) - 575, 598, 690
27	09711	Pistol Grip

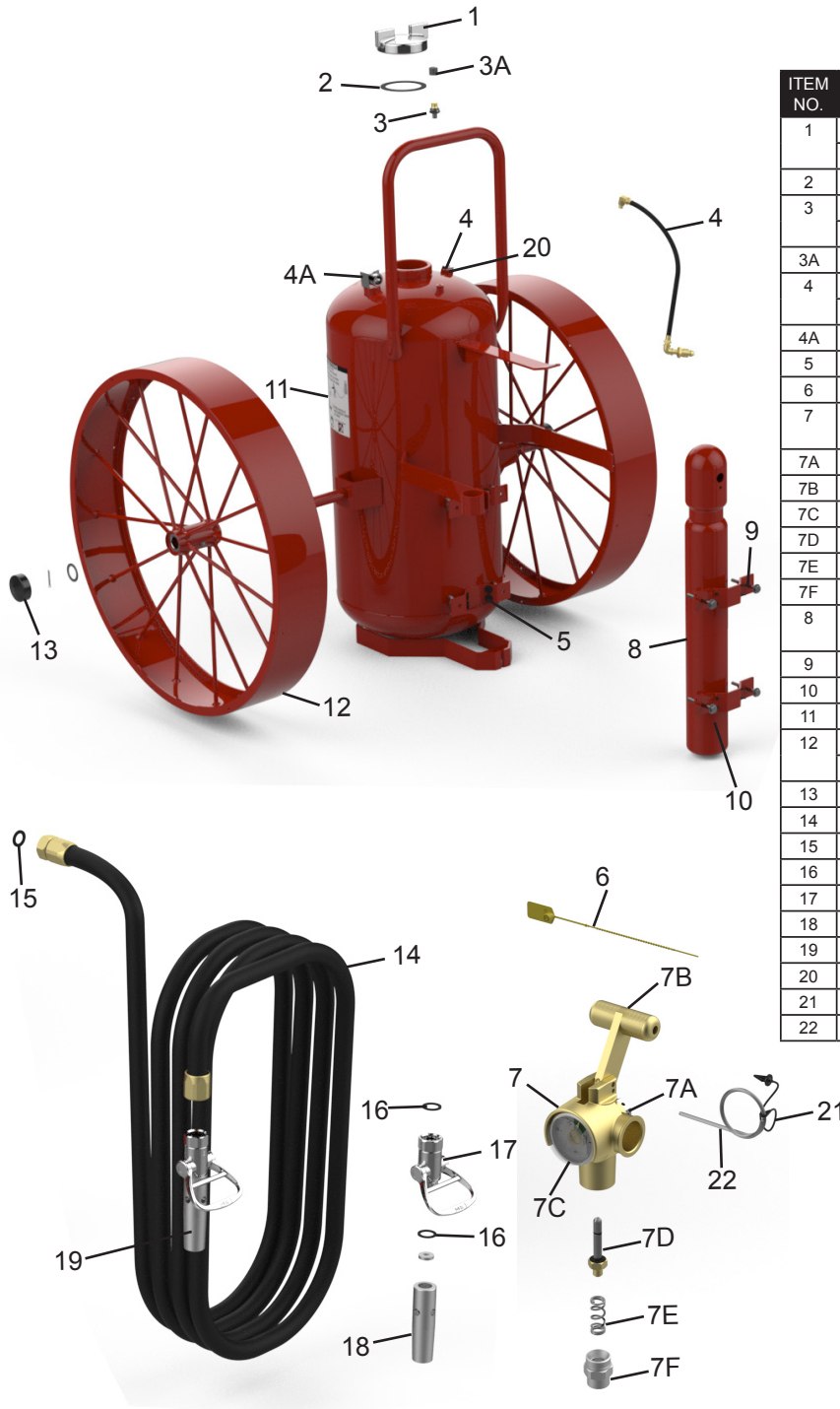
**NOTE:** Replacement Valve Assemblies include Valve Body, Gauge, Gauge Guard, Safety Disc Assembly, Cam, Pressure Valve & Cap, Lever, Valve Stem Assembly, Spring and Downtube/Retainer Assembly (as required).



# PARTS LIST

for  
**33 Gal. AR-AFFF Foam**  
**23 CU. FT. Nitrogen Cylinder**  
**Wheeled/Stationary**  
**Extinguisher Models**

630 - 33 gal. AR-AFFF  
 631 - 33 gal. AR-AFFF STA.

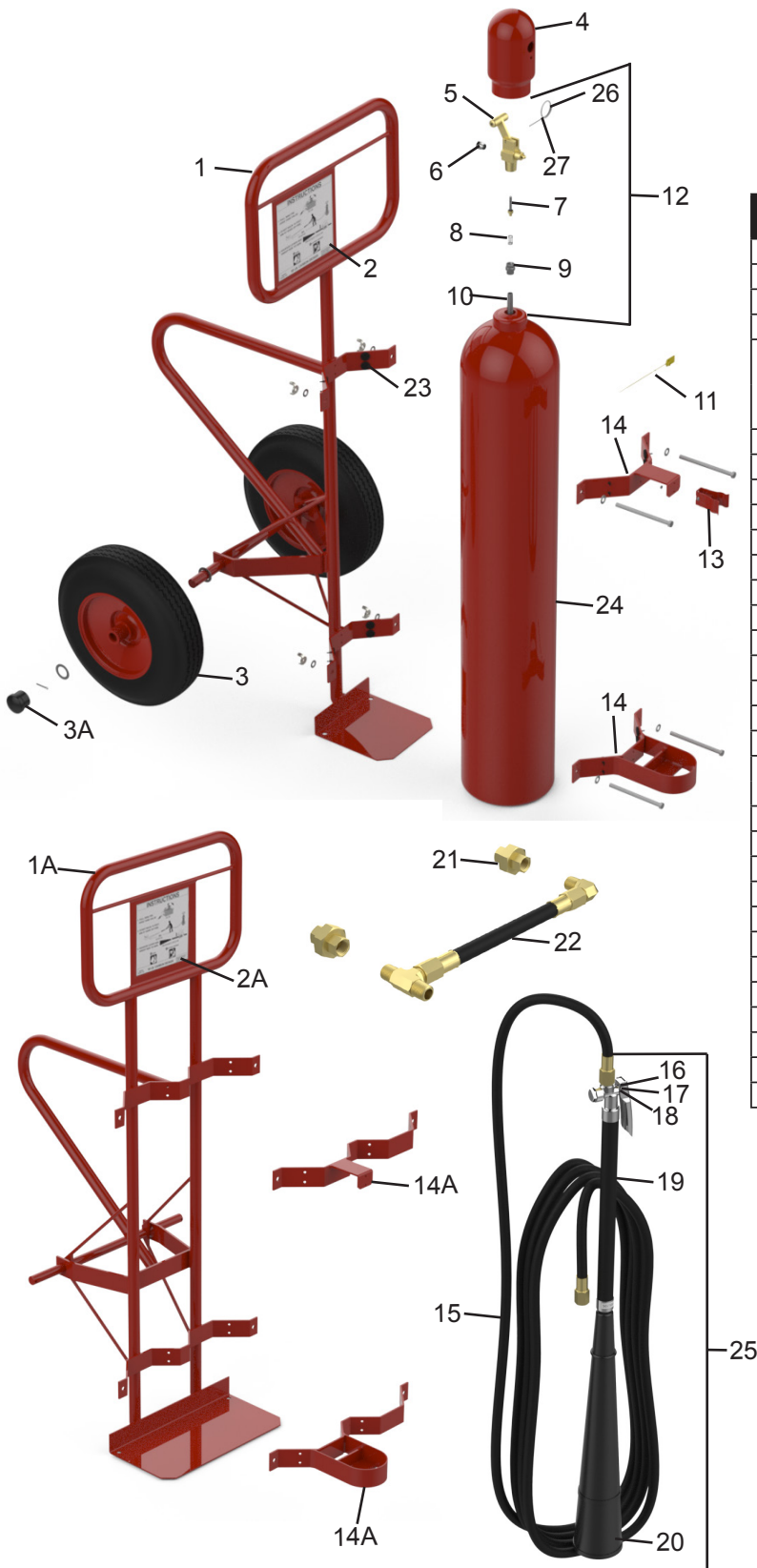


ITEM NO.	PART NO.	DESCRIPTION
1	06993	Cap, Agent Cylinder
	12576	Cap, Agent Cylinder with Pressure Indicator
2	02272	Gasket, Cap
3	03787	Safety Disc Assembly - 630
	07665	Safety Disc Assembly - 631
3A	13956	Protective Vinyl Cap
4	02234	Nitrogen Hose Assembly
	06883	Nitrogen Tube Assembly
4A	06784	Downtube Assembly
5	13958	Bumper, Rubber
6	01387	Lock Wire Seal (Yellow)
7	12467	Nitrogen Valve with Gauge ("T" Handle Quick Release)
7A	16516	Safety Disc, Gasket and Nut Assembly
7B	06373	Valve Lever ("T" Handle - Complete)
7C	10213	Gauge - 3000 PSI
7D	09897	Valve Stem Assembly
7E	12466	Spring
7F	09627	Retainer
8	03817	Nitrogen Cylinder (23 cu. ft.) - Charged with Cap
9	04072	Retaining Strap - Nitrogen Cylinder
10	11970	Bolt, Washer and Wing Nut
11	07479	Pictogram - 630, 631
12	07026	Wheel Assembly 36" x 6"
	07607	Wheel Assembly 36" x 6" with Rubber Tread
13	07389	Hub Cap with Washer and Cotter Pin
14	06814	Hose Assembly - 50 ft.
15	07411	Moisture Seal
16	03877	Gasket, Hose and Nozzle
17	06279	Ball Valve Assembly
18	06749	Nozzle Tip (Aerated)
19	07560	Nozzle Assembly (Ball Valve & Tip)
20	04444	Nitrogen Elbow
21	00532	Chain (Nylon) for Ring Pin
22	00160	Ring Pin Stainless Steel



# PARTS LIST for 50/100 lb. Carbon Dioxide Wheeled/Stationary Extinguisher Models

333 - 50lb.  
334 - 100lb.  
335 - 100lb. STA.



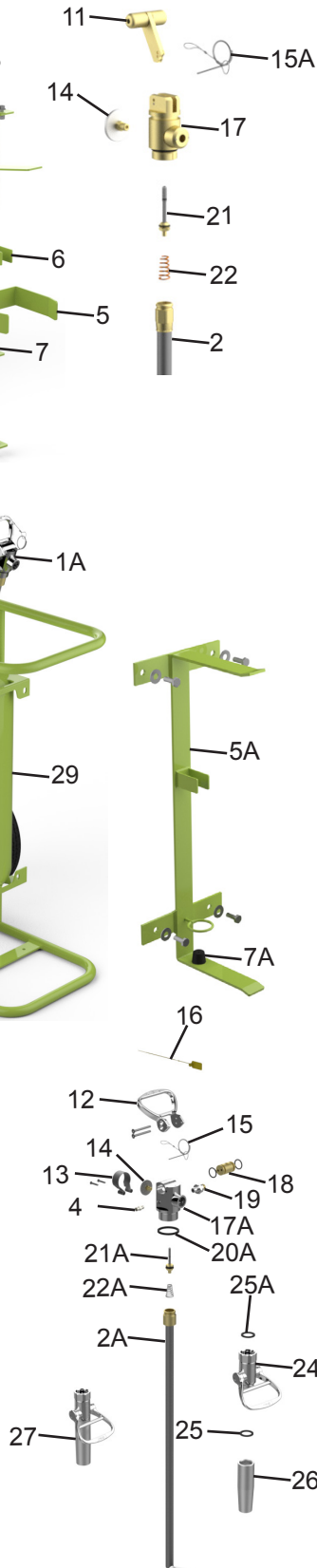
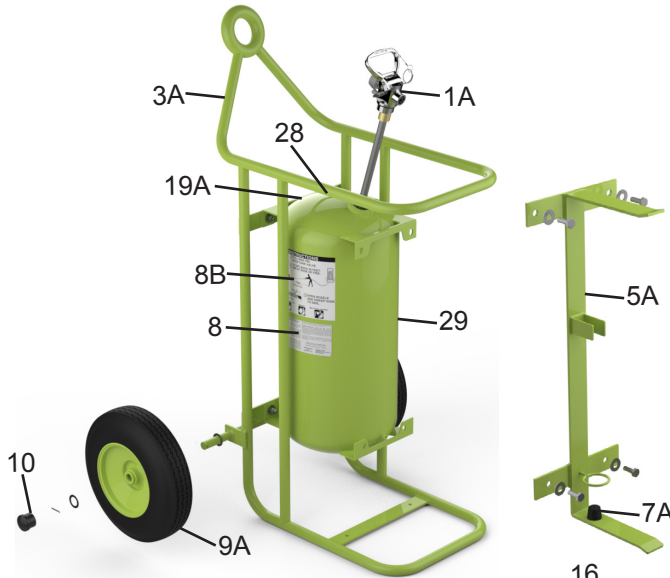
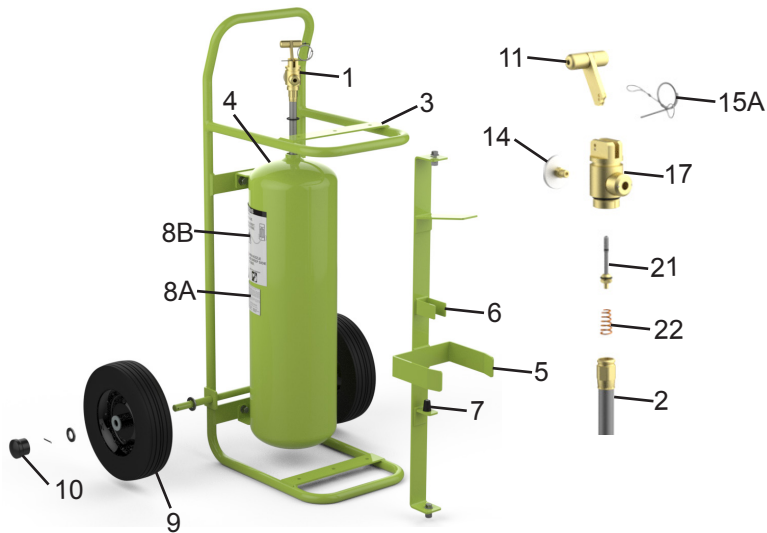
ITEM NO.	PART NO.	DESCRIPTION
1	09891	Carriage Assembly without Wheels - 333
1A	09903	Carriage Assembly without Wheels - 334
2	09618	Pictogram - 333
2A	09787	Pictogram - 334
3	10234	Wheel Assembly - 16" with Hub Cap, Washers and Cotter Pin - Full Pneumatic
	07751	Wheel Assembly - 16" with Hub Cap, Washers and Cotter Pin - Semi-Pneumatic
3A	04945	Hub Cap
4	12470	Cap - Valve Protector
5	06373	Valve Lever ("T" Handle - Complete)
6	04000	Safety Disc Assembly
7	09897	Valve Stem Assembly
8	00501	Spring
9	09627	Retainer
10	09623	Downtube
11	01387	Lock Wire Seal (Yellow)
12	09895	Valve Assembly Complete with Downtube
13	09892	Horn Clip with Mounting Hardware
14	09893	Saddles with Hardware - 333
14A	09904	Saddles with Hardware - 334
15	09365	Hose Assembly - 333 Older Models (15 ft.)
	09545	Hose Assembly - 333,334 (40 ft.)
16	09366	Shut-off Valve Assembly
17	09899	Valve Stem Assembly for Shut-off Valve
18	09901	Spring for Shut-off Valve
19	09896	Handle with Rubber Cover
20	09369	Horn & Nozzle
21	08169	Union (Manifold) - 334
22	09905	Manifold (with Unions) - 334
23	13958	Bumper, Rubber
24	10093	Cylinder Replacement CO2 - 50 lb.
25	09364	Horn and Valve Assembly
26	00532	Chain (Nylon) for Ring Pin
27	00160	Ring Pin Stainless Steel





# PARTS LIST for 50/150 lb. Stored Pressure Wheeled/Stationary Halon 1211 Extinguisher Models

695 - 50lb.      600 - 150lb.  
611 - 50lb. STA    610 - 150lb. STA



ITEM NO.	PART NO.	DESCRIPTION
1	06200	Valve Assembly Complete with Downtube - 695, 611
1A	03499	Valve Assembly Complete with Downtube - 600, 610
2	06072	Downtube/Retainer Assembly - 611, 695
2A	04938	Downtube/Retainer Assembly - 600, 610
3	06624	Carriage Assembly without Wheels - 695
3A	10523	Carriage Assembly without Wheels - 600
4	00155	Pressure Valve Assembly and Cap
5	06379	Hose Support with Mounting Hardware and Nozzle Mount - 611, 695
5A	06061	Hose Support with Mounting Hardware and Nozzle Mount - 600, 610
6	06380	Nozzle Clip with Hardware - 50lb. (Older Models)
7	06376	Nozzle Mount with Hardware - 695
7A	06130	Nozzle Mount with Hardware - 600
8	03624	Nameplate (Label) Non U/L - Model 600
8A	17111	Nameplate (Label) Non U/L - Model 695
8B	07480	Pictogram - 695, 611
8C	07481	Pictogram - 600, 610
9	06381	Wheel Assembly - 12 1/2" with Hub Cap, Washer and Retaining Pin - 695
9A	06062	Wheel Assembly - 16" with Hub Cap, Washer and Retaining Pin - Full Pneumatic - 600 (Green)
	07778	Wheel Assembly - 16" with Hub Cap, Washer and Retaining Pin - Semi-Pneumatic - 600
10	04945	Hub Cap - 695, 600
11	06373	Valve Lever ("T" Handle - Complete) - 695, 611
12	06059	Valve Lever with Screws - 600, 610
13	03562	Gauge Guard Assembly - 600, 610
14	03523	Gauge - 200 PSI - ALL
15	06100	Ring Pin, Stainless Steel with Wire - ALL
15A	00532	Chain (Nylon) for Ring Pin 695/611
	00160	Ring Pin Stainless Steel
16	01387	Lock Wire Seal (Yellow)
17	06153	Valve Body - 695, 611
17A	03678	Valve Body - 600, 610
18	06060	Cam Assembly with O-Rings - 600, 610
19	03787	Safety Disc Assembly - 600, 610
	13956	Protective Vinyl Cap
19A	05404	Decal Press VS. Temp. 600/610
20	05240	Collar O-Ring - 695, 611
20A	05239	Collar O-Ring - 600, 610
21	06022	Valve Stem Assembly - 695, 611
21A	05067	Valve Stem Assembly - 600, 610
22	00383	Spring - 695, 611
22A	03556	Spring - 600, 610
23	06015	Hose Assembly - 25 ft. with Gasket - 695, 611
	03501	Hose Assembly - 50 ft. - 600, 610
24	06031	Ball Valve Assembly - 695, 611
	06279	Ball Valve Assembly - 600, 610
25	03877	Gasket, Hose/Valve - 600, 610
25A	06056	Gasket, Valve - 695, 611
	03877	Gasket, Hose/Valve - 600, 610
25B	07247	Gasket, Hose - 695, 611
	03877	Gasket, Hose/Valve - 600, 610
26	06032	Nozzle Tip (.265) - 695, 611
	06355	Nozzle Tip (.375) - 600, 610
27	06395	Nozzle Assembly (Ball Valve & Tip) - 695, 611
27A	05295	Nozzle Assembly (Ball Valve & Tip) - 600, 610
28	06370	Plug, Pipe for Agent Level Indicator Hole - 600, 610 (Older Models)
29	03506	Cylinder

Replacement Valve Assemblies include New Valve Body, Gauge, (Gauge Guard, Safety Disc Assembly, Cam - Model 600, 610), Pressure Valve & Cap, Lever, Valve Stem Assembly, Spring and Downtube/Retainer Assembly

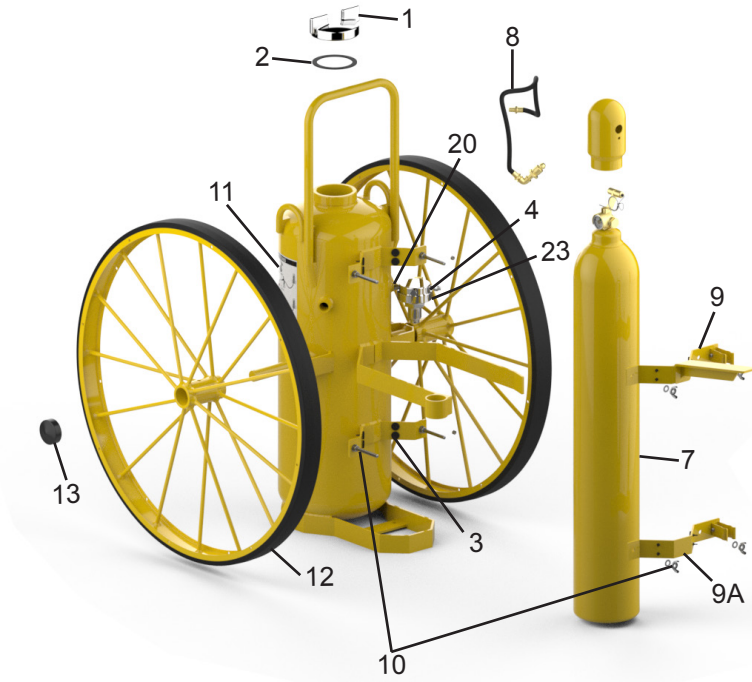


# PARTS LIST

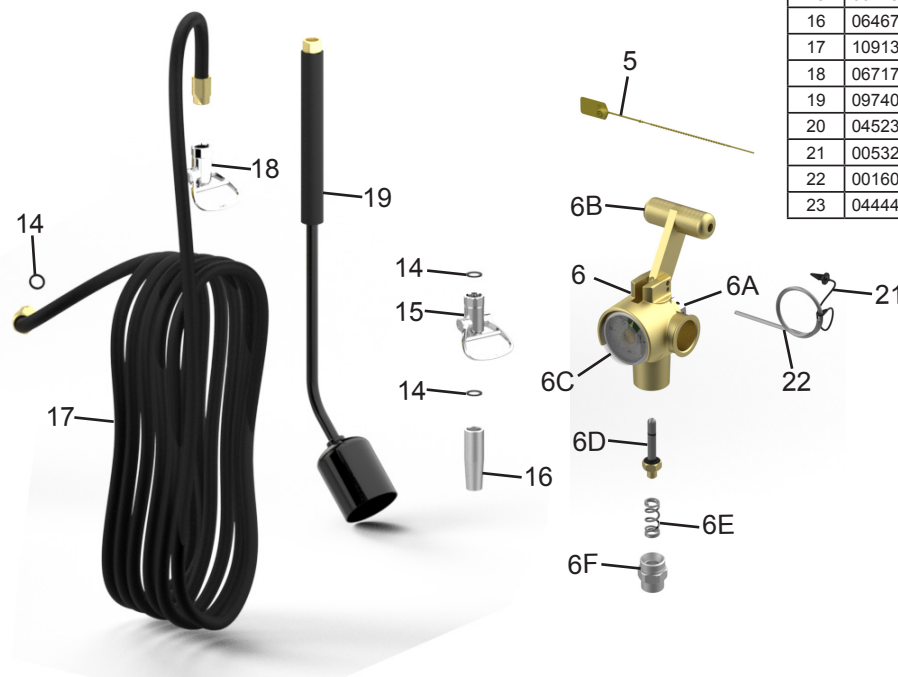
## for

### 150/250 lb. Class D 110 CU. FT. Argon Cylinder Wheeled Extinguisher Models

680 - 150 lb. Sodium Chloride  
681 - 250 lb. Copper



ITEM NO.	PART NO.	DESCRIPTION
1	06993	Cap, Agent Cylinder
	12576	Cap, Agent Cylinder with Pressure Indicator
2	02272	Gasket, Cap
3	13958	Bumper, Rubber
4	10915	Argon Pressure Regulator
5	01387	Lock Wire Seal (Yellow)
6	12467	Argon Valve with Gauge ("T" Handle Quick Release)
6A	16516	Safety Disc, Gasket and Nut Assembly
6B	06373	Valve Lever ("T" Handle - Complete)
6C	10213	Gauge - 3000 PSI
6D	09897	Valve Stem Assembly
6E	00501	Spring
6F	09627	Retainer
7	10904	Argon Cylinder (110 cu. ft.) - Charged with Cap
8	02234	Argon Hose Assembly
9	10906	Retaining Strap with Hose Hanger
9A	11020	Retaining Strap (Bottom) - Argon Cylinder
10	16483	Bolt, Washer and Wing Nut
11	10910	Pictogram - 680, 681
12	10917	Wheel Assembly - 36" x 2 1/2" with Rubber Tread
13	16984	Hub Cap - 36" Wheels
	07389	Hub Cap, Washer and Pin - 36" Wheels
14	03877	Gasket, Hose/Nozzle
15	06279	Ball Valve Assembly
16	06467	Nozzle Tip (.312) (OPTIONAL)
17	10913	Hose Assembly - 3/4" x 25 ft.
18	06717	Ball Valve Assembly
19	09740	Wand Applicator Assembly
20	04523	1/4" SS Pipe Nipple
21	00532	Chain (Nylon) for Ring Pin
22	00160	Ring Pin Stainless Steel
23	04444	1/4" MXF Elbow





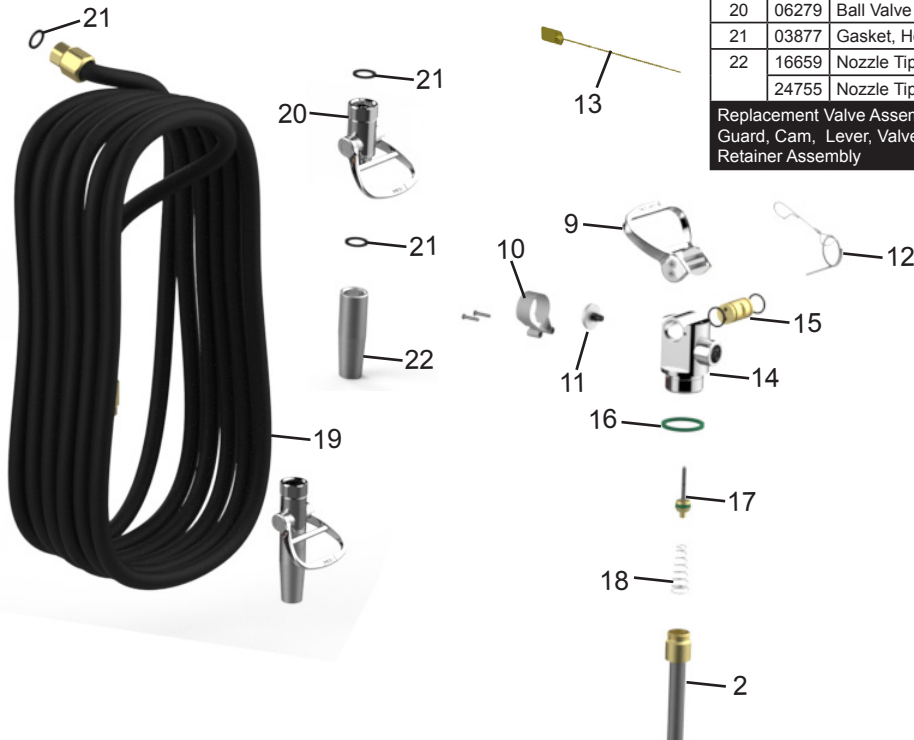
# PARTS LIST for 65 lb. Stored Pressure Wheeled Halotron I Extinguisher Models

673 - 16" Semi-Pneumatic Galvanized Wheels  
B673 - 16" Semi-Pneumatic Non-Galvanized Wheels



ITEM NO.	PART NO.	DESCRIPTION
1	16661	Valve Assembly Complete with Downtube 673
	24760	Valve Assembly Complete with Downtube B673
2	04938	Downtube/Retainer Assembly 673
	24795	Downtube/Retainer Assembly B673
3	16724	Carriage Assembly without Wheels
4	16690	Hose Support with Mounting Hardware
5	06130	Nozzle Mount with Hardware
6	07481	Pictogram
7	07751	Wheel Assembly - 16" with Hub Cap, Washer and Retaining Pin - Semi-Pneumatic 673 (optional B673)
	23823	Wheel Assembly - 16" with Hub Cap, Washer and Retaining Pin - Semi-Pneumatic B673 (optional 673)
8	04945	Hub Cap
9	06059	Valve Lever with Screws
10	16723	Gauge Guard Assembly
11	14417	Gauge - 100 PSI
12	06100	Ring Pin, Stainless Steel with Wire
13	01387	Lock Wire Seal (Yellow)
14	16666	Valve Body 673
	22979	Valve Body B673
15	06060	Cam Assembly with O-Rings
16	16664	Collar O-Ring
17	16668	Valve Stem Assembly 673
	23811	Valve Stem Assembly B673
18	03556	Spring 673
	22983	Spring B673
19	03501	Hose Assembly - 3/4" x 50'
20	06279	Ball Valve Assembly
21	03877	Gasket, Hose/Nozzle
22	16659	Nozzle Tip (.395) 673
	24755	Nozzle Tip (.330) B673

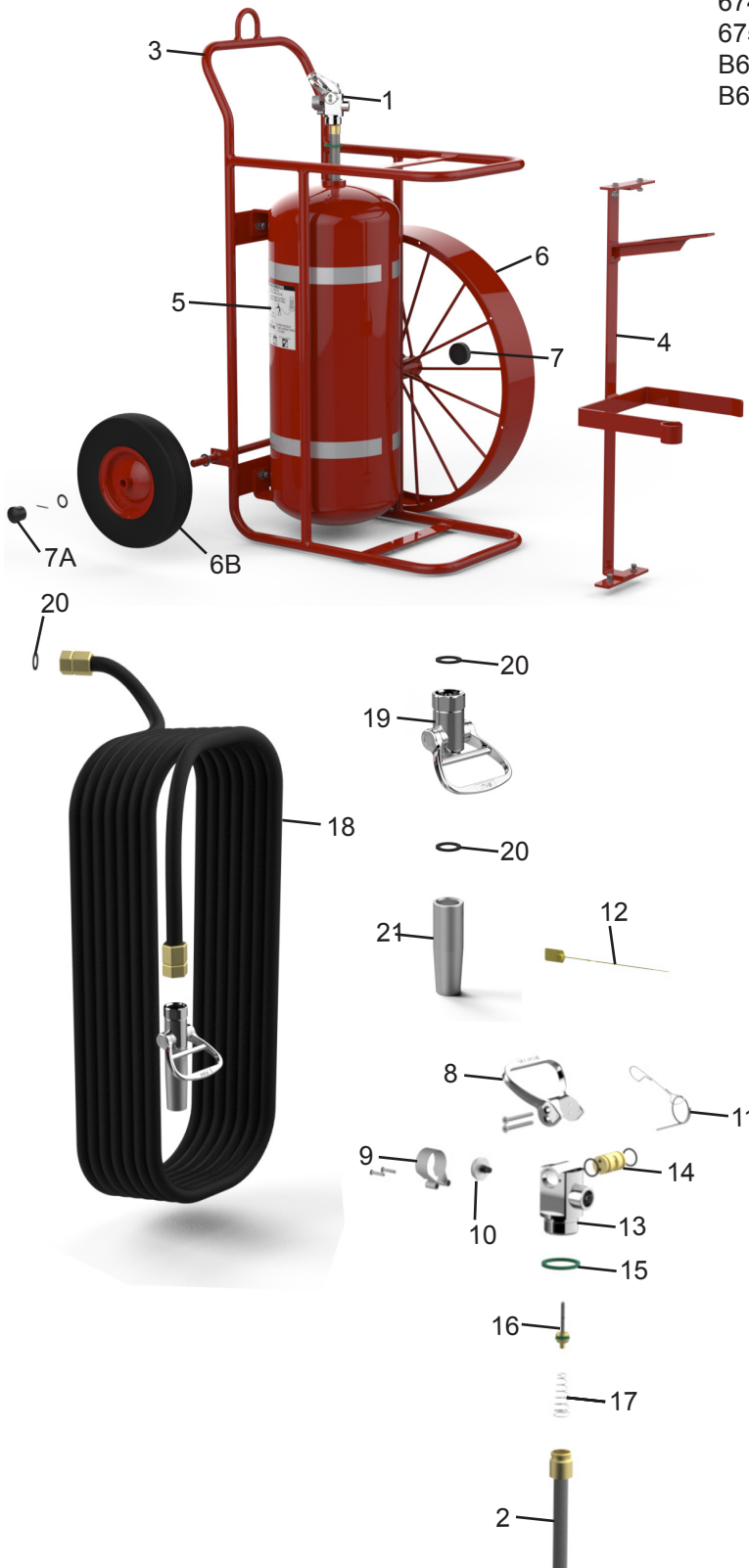
Replacement Valve Assemblies include Valve Body, Gauge, Gauge Guard, Cam, Lever, Valve Stem Assembly, Spring and Downtube/Retainer Assembly





# PARTS LIST for 150 lb. Stored Pressure Wheeled Halotron I Extinguisher Models

674 - 16" Semi-Pneumatic Galvanized Wheels  
 675 - 36" x 6" Steel Wheels  
 B674 - 16" Semi-Pneumatic Non-Galvanized Wheels  
 B675 - 36" x 2 1/2" Steel w/ Rubber Tread Wheels



ITEM NO.	PART NO.	DESCRIPTION
1	16677	Valve Assembly Complete with Downtube 674, 675
	23808	Valve Assembly Complete with Downtube B674, B675
2	16726	Downtube/Retainer Assembly 674, 675
	23809	Downtube/Retainer Assembly B674, B675
3	16727	Carriage Assembly without Wheels 674
4	16725	Hose Support with Mounting Hardware
5	07481	Pictogram
6	07026	Wheel Assembly - 36" x 6" - 675 (Optional B675)
6A	07050	Wheel Assembly - 36" x 2 1/2" - B675 (Optional 675)
6B	07751	Wheel Assembly - 16" with Hub Cap, Washer and Retaining Pin - Semi-Pneumatic - Galvanized - 674 (Optional B674)
	23823	Wheel Assembly - 16" with Hub Cap, Washer and Retaining Pin - Semi-Pneumatic - Non-Galvanized - B674 (Optional 674)
7	16984	Hub Cap for 36" Wheels
	07389	Hub Cap for 36" Wheels with Washer and Cotter Pin
7A	04945	Hub Cap
8	06059	Valve Lever with Screws
9	16723	Gauge Guard Assembly
10	14418	Gauge - 125 PSI 674, 675
	16332	Gauge - 150 PSI B674, B675
11	06100	Ring Pin, Stainless Steel with Wire
12	01387	Lock Wire Seal (Yellow)
13	16666	Valve Body 674, 675
	22979	Valve Body B674, B675
14	06060	Cam Assembly with O-Rings
	16664	Collar O-Ring
16	16668	Valve Stem Assembly 674, 675
	23811	Valve Stem Assembly B674, B675
17	16679	Spring 674, 675
	22983	Spring B674, B675
18	03501	Hose Assembly - 3/4" x 50'
19	06279	Ball Valve Assembly
20	03877	Gasket, Hose/Nozzle
21	16674	Nozzle Tip (.687) 674, 675
	23665	Nozzle Tip (.692) B674, B675

Replacement Valve Assemblies include Valve Body, Gauge, Gauge Guard, Cam, Lever, Valve Stem Assembly, Spring and Downtube/Retainer Assembly



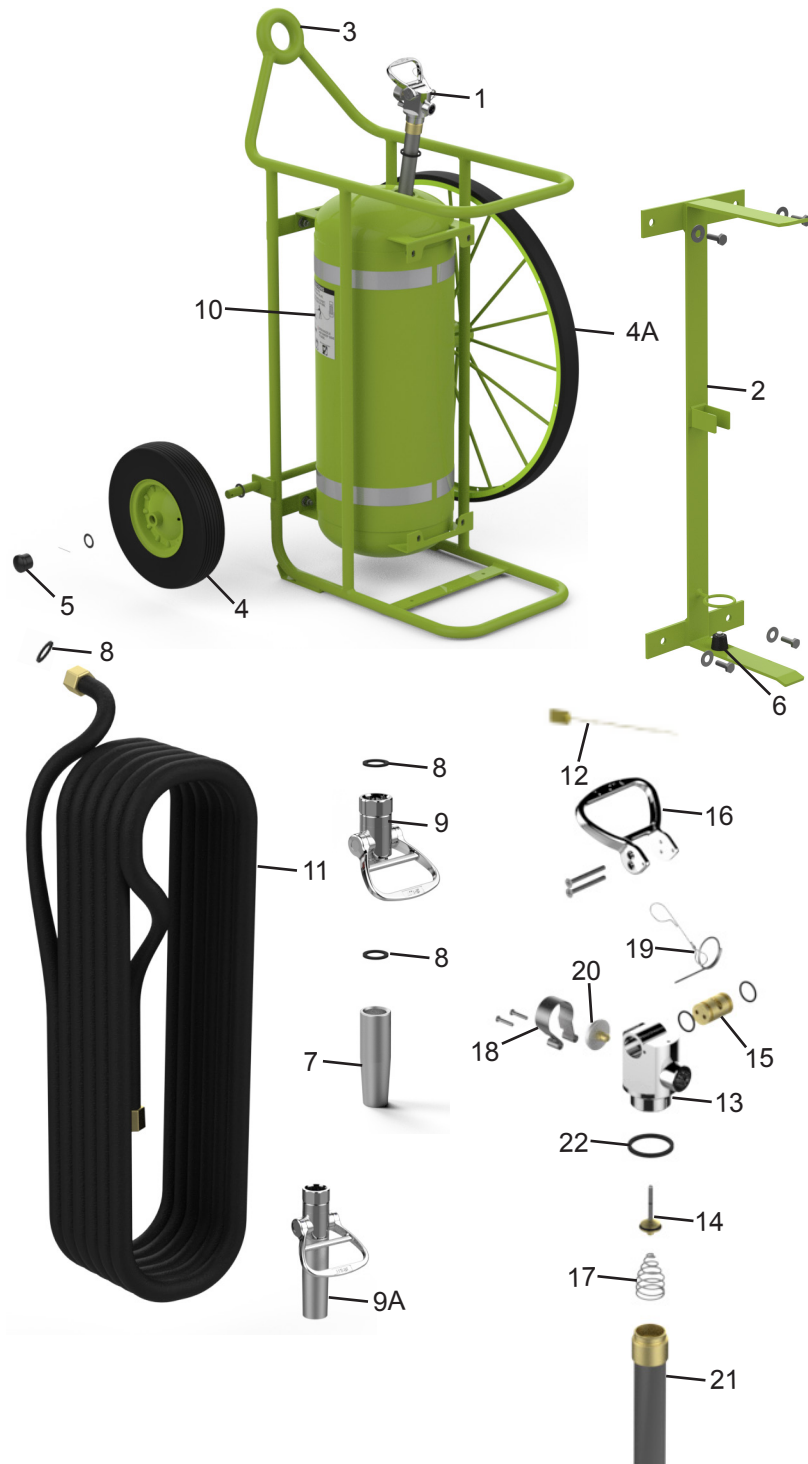
B675 Standard  
675 Optional



# PARTS LIST for 150lb. Stored Pressure Wheeled Novec 1230 Extinguisher Models

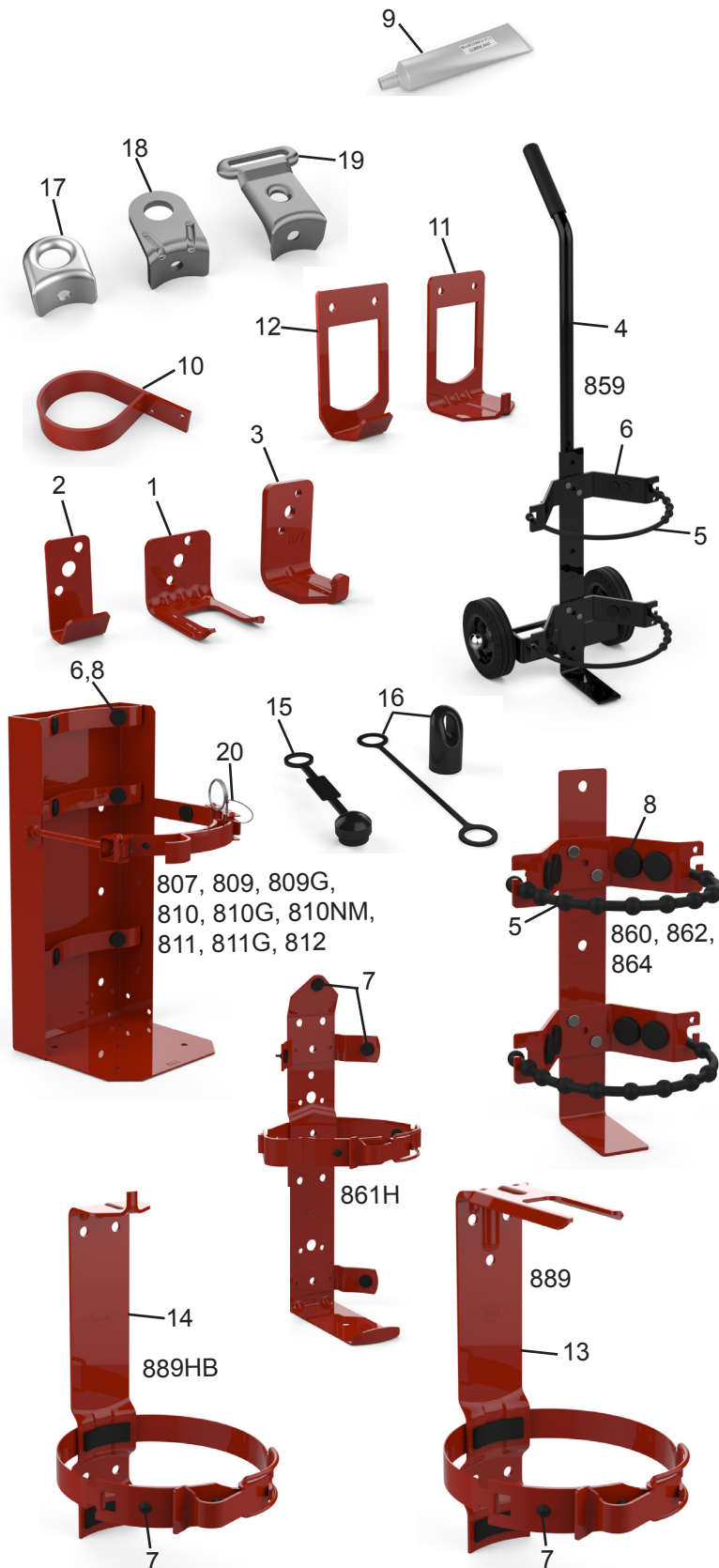
775 - 150lb. 16" Wheels

776 - 150lb. 36" Wheels



ITEM NO.	PART NO.	DESCRIPTION
1	22978	Valve Assembly 150 Novec
2	21941	Hose Support w/ Hardware
3	21920	Carriage Assembly 150 Novec GR 775
	23633	Carriage Assembly 150 Novec GR 776
4	06062	Wheel Assembly 16" Pneumatic w/ Hardware
	07778	Wheel Assembly 16" Semi-Pneumatic w/ Hardware
4A	23632	Wheel Assy 36" x 2.5 Steel w/ Hardware
5	04945	Hub Cap Black 16" Wheel
	16984	Hub Cap Black 36" Wheel
	07389	Hub Cap and Washer, Pin for 36" Wheel
6	06130	Mount Rubber w/ Hardware
7	19793	Nozzle Tip .531
8	03877	Gasket
9	06279	Ball Valve Assembly 150
9A	23634	Nozzle Assembly (Ball Valve and Tip) .531
10	07481	Pictogram
11	23544	Hose Assembly 1" x 40'
12	01387	Tamper Seal
13	22979	Valve Body
14	22984	Valve Stem Assembly
15	06060	Cam w/ Orings
16	06059	Valve Lever w/ Screws
17	22983	Valve Spring
18	16723	Gauge Guard Assembly
19	06100	Pull Pin and Wire
20	19789	Gauge 125 Novec
21	19787	Downtube Assembly
22	05239	Collar Oring

Replacement Valve Assemblies include Valve Body, Gauge, Gauge Guard, Lever, Valve Stem Assembly, Spring, Pull Pin/Wire and Downtube/Retainer Assembly



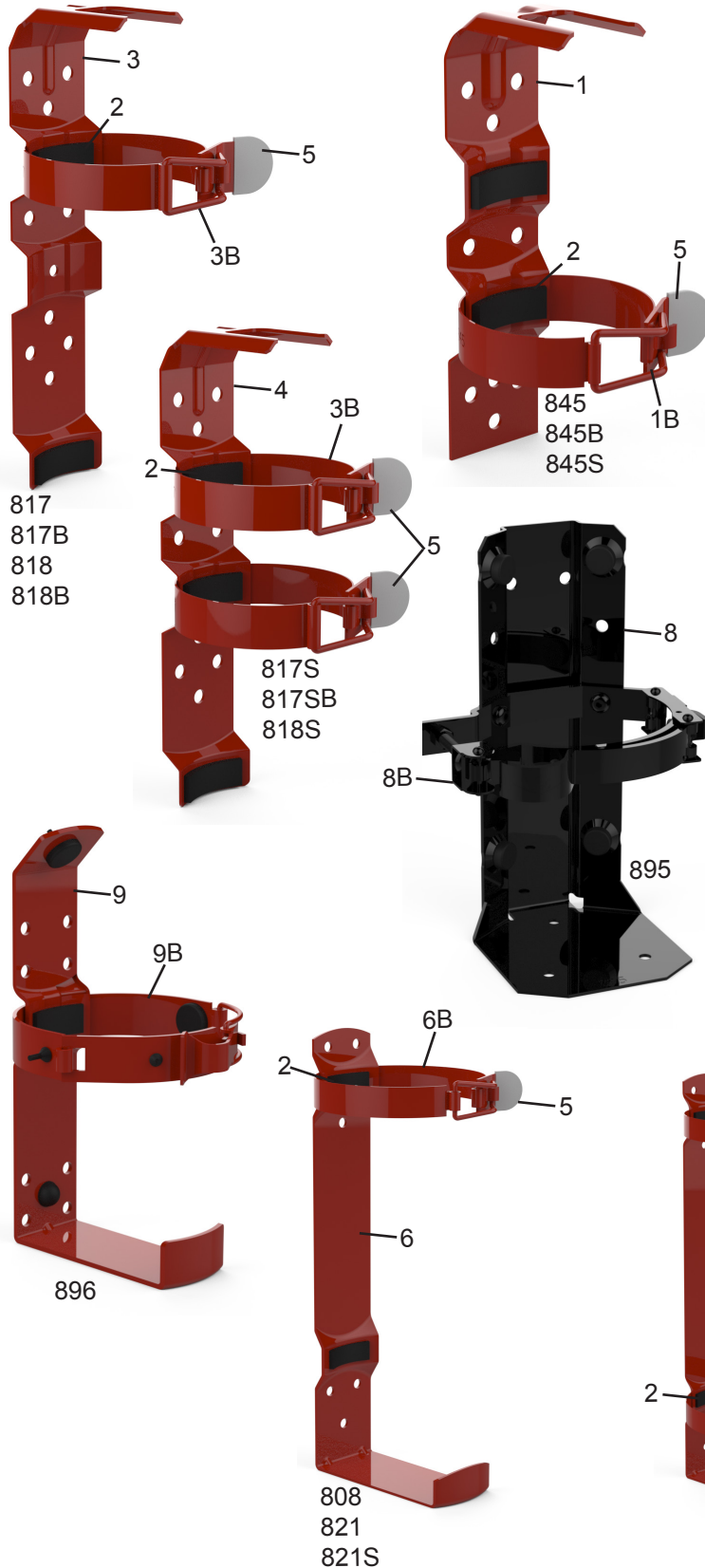
## Wall Brackets Miscellaneous Items

PART NO.	PART NO.	DESCRIPTION
1	04834	Wall Hanger Bracket (Red) - All 1 lb., 1¼ lb., 1.4 lb., 2½ lb., 3 lb. Aluminum Valve Models
	01521	Wall Hanger Bracket (Red) - All 5 lb. & 5½ lb. Aluminum Valve Models
	05525	Wall Hanger Bracket (Red) - All 6 lb. & 10 lb. Tall Aluminum Valve Models
2	01007	Wall Hanger Bracket (Red) - 240, 250, 252, 254, 361*, 369, B371, 372*, 408*, 415*, 419*, 423*, 424, B441, B447, B460, 461, 462, A411*, A412*, A413*, 260, 262, B260, B262, 720, 721, 722 (* For extinguishers manufactured before 2004)
	14315	Wall Hanger Bracket (Stainless Steel) - Non-Magnetic - 270, 272, B270, B272
3	09582	Wall Hanger Bracket (Red) - All 13.2 lb (6Kg) and 20 lb. High Performance
	09581	Wall Hanger Bracket (Red) - 30 lb. High Performance
	00546	Wall Hanger Bracket (Red) - 322, B369, B371, B441, B447, B443, B456, B457, B460, B461, B462, B459, 720, 721, 722
	00575	Wall Hanger Bracket (Red) - 330, 331, 397, 398, 419*, 668 (* For extinguishers manufactured 2004 or later)
	17737	Wall Hanger Bracket 322NM
	00577	Wall Hanger Bracket (Red) - 408*, 415*, 423*, A411*, A412*, A413*, 361*, 372*, B570, B571, 692, 693, 760, 761, 762 (* For extinguishers manufactured 2004 or later)
	22290	Wall Hanger Bracket (Red) - 332
	22885	Wall Hanger Bracket - 320NM
16591	Wall Hanger Bracket (Red) - B424, 320, 321 & All 5 lb. and 5.5 lb. Aluminum Valve Models	
<b>Miscellaneous Items</b>		
4	08289	859 Dolly Cart 7" and 8" Diameter
5	07166	Rubber Strap - 860 & 862 Brackets
	07802	Rubber Strap - 864 & 874 Brackets, 859 Dolly
6	01990	Bumper, Rubber Grommet - 807, 809, 810, 811, 812, 860, 896
7	06858	Bumper, Rubber Grommet - 861H, 846, 889, 889HB, 896
8	13958	Bumper, Rubber Grommet - 810G, 811G, 862, 864, 874, 859, 895, 879
9	06247	Bluestar V-711 Lubricant (5 oz.)
10	01427	Horn Holder - 330, 331, 332 (Attaches to 810 and 811 Brackets)
	06584	Horn Holder - 331 (Attaches to 810NM Brackets)
11	16536	Bracket Adapter - Cartridge Unit to Stored Pressure 6 Kg & 20 lb. High Performance
	16538	Bracket Adapter - Cartridge Unit to Stored Pressure 30 lb. High Performance
	16596	Bracket Adapter - "J" Hook to Pin Hook 5 lb.
	16598	Bracket Adapter - "J" Hook to Pin Hook 6 - 10 lb.
	16594	Bracket Adapter - "J" Hook to Pin Hook 20 lb.
12	16537	Bracket Adapter - Cartridge Unit to Stored Pressure Standard "J" Hook Style Wall Bracket
13	16831	889 Bracket Assembly - 10 lb. 5" Dia. "Fork" Style
14	17148	889HB Bracket Assembly - 10 lb. 5" Dia. "Pin Hook"
15	12184	Protective Blowoff Cap Aluminum Valve Nozzles
16	22929	Protective Blowoff Cap B402 and High Performance Horns
17	14220	Aluminum Valve Hanger Loop w/ screw
	16694	Brass Valve Hanger Loop w/ screw 5lb., 5 1/2lb., 6lb., 20lb.
18	09584	High Performance Hanger Loop w/ screw
	17144	Class D Hanger Loop w/ screw
	14380	Foam, Water Mist, Wet Chemical Hanger Loop w/ screw
19	15363	Brass Valve Hanger Loop w/ screw 10lb., 13lb.
20	13888	Pull Pin and Chain Box Type Brackets
	04488	Adhesive, Silicon (3oz.) - Foot Stand All Stainless Steel Extinguishers (Not Shown)



# Parts List

## Vehicle, Vehicle/Marine Brackets and Components



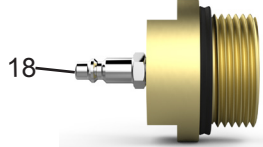
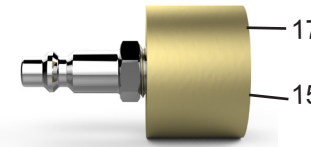
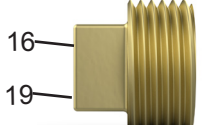
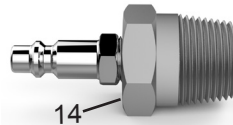
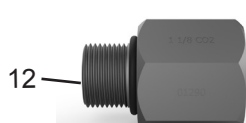
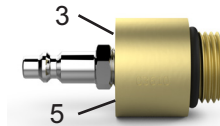
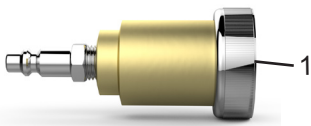
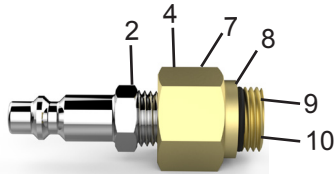
ITEM NO.	PART NO.	DESCRIPTION
1	845	Vehicle Bracket ( <b>Red</b> ) - All 1 lb., 1¼, 1.4 lb. Aluminum Valve Models
	845B	Vehicle Bracket ( <b>Black</b> ) - All 1 lb., 1¼, 1.4 lb. Aluminum Valve Models
	845S	Vehicle Bracket ( <b>Red</b> ) 2 Strap - All 1 lb., 1¼, 1.4 lb. Aluminum Valve Models
1B	06070	Strap Assembly with Rivet ( <b>Red</b> ) - 845
	05695	Strap Assembly ( <b>Black</b> ) - 845B
2	03412	Rubber Pad - ½" x 1½" - 817, 818, 808, 821, 845, 846, 889, 889HB
	01264	Rivet - 817, 818, 808, 821, 845, 846, 889, 889HB
3	817	Vehicle/Marine Bracket ( <b>Red</b> ) - All 2½ lb., 3 lb. Aluminum Valve Models
	817B	Vehicle/Marine Bracket ( <b>Black</b> ) - All 2½ lb., 3 lb. Aluminum Valve Models
	818	Vehicle/Marine Bracket ( <b>Red</b> ) - All 5 lb., 5½ lb. Aluminum Valve Models
	818B	Vehicle/Marine Bracket ( <b>Black</b> ) - All 5 lb., 5½ lb. Aluminum Valve Models
3B	04494	Strap Assembly with Rivet and Vinyl Tip ( <b>Red</b> ) - 817
	03905	Strap Assembly ( <b>Black</b> ) - 817B
	04495	Strap Assembly with Rivet and Vinyl Tip ( <b>Red</b> ) - 818
	03906	Strap Assembly ( <b>Black</b> ) - 818B
4	817S	Vehicle/Marine Bracket ( <b>Red</b> ) - 2 Strap All 2½ lb., 3 lb. Aluminum Valve Models
	817SB	Vehicle/Marine Bracket ( <b>Black</b> ) - 2 Strap All 2½ lb., 3 lb. Aluminum Valve Models
	818S	Vehicle/Marine Bracket ( <b>Red</b> ) - 2 Strap All 5 lb., 5½ lb. Aluminum Valve Models
5	03076	White Vinyl Tip - 817, 818, 808, 821, 845
6	808	Vehicle/Marine Bracket ( <b>Red</b> ) - All 6 lb., 9 lb., Aluminum & Brass Valve Models
	821	Vehicle/Marine Bracket ( <b>Red</b> ) - All 5 lb., 5½ lb. Aluminum & Brass Valve Models
	821S	Vehicle/Marine Bracket ( <b>Red</b> ) 2 strap - All 5 lb., 5½ lb. Aluminum & Brass Valve Models
6B	06201	Strap Assembly with Rivet ( <b>Red</b> ) - 821
	06064	Strap Assembly with Rivet ( <b>Red</b> ) - 808
7	846	Vehicle Bracket ( <b>Red</b> ) -10 lb. Tall Aluminum & Brass Valve Models
7B	15381	Strap Assembly ( <b>Red</b> ) - 846, 889, 889HB
8	895	Vehicle/Marine Bracket ( <b>Black</b> ) - All 6 lb., 10 lb. Aluminum & Brass Valve Models
8B	17489	Strap Assembly w/ Screws, Nuts, & Rubber Bumpers
9	896	Vehicle Bracket ( <b>Red</b> ) - 2 1/2 lb. CO2
9B	22447	Strap Assembly ( <b>Red</b> ) - 896



# Adapters

## Fill (Recharge) & Hydrotest (Cylinder & Hose)

ITEM NO.	PART NO.	DESCRIPTION
<b>Water, Water Mist, Wet Chemical &amp; Foam Extinguishers</b>		
1	03181	Hydrotest Adapter - 1"1/2" - UN
4*	02141	Fill Adapter - Hansen Quick Connect - 240, 250, 252, 254, 260, 262 - 5/8" - 18 UNF
6*	09492	Fill Adapter - Hansen Quick Connect - B270, B272, B260, B262 - 1/2" - 14 NPSL
<b>Dry Chemical - Aluminum Valve Extinguishers</b>		
2	01720	Fill Adapter - Hansen Quick Connect - 3/8"-24 UNF
3*	03610	Hydrotest Adapter - 1"-12 UNF
4*	02141	Fill Adapter - Hansen Quick Connect 5/8" - 18 UNF (20 lb. Aluminum Valve)
<b>Dry Chemical - Brass Valve, High Performance, CL-D Extinguishers (Female Thread)</b>		
4*	02141	Fill Adapter - Hansen Quick Connect 5/8" UNF
5*	03038	Hydrotest Adapter - 1 1/4"-12 UNF
6*	09492	Fill Adapter - High Performance Old style male thread - 1/2" - 14 NPSL
<b>Halon 1211 - Aluminum Valve Extinguishers</b>		
7	04485	Fill Adapter - Hansen Quick Connect - 3/8"-24 UNF
3*	03610	Hydrotest Adapter - 1"-12 UNF
<b>Halon 1211 - Brass Valve Extinguishers</b>		
8	04482	Fill Adapter - Hansen Quick Connect - 5/8" - 18 UNF
5*	03038	Hydrotest Adapter - 1 1/4"-12 UNF
<b>Halotron I - Aluminum Valve Extinguishers</b>		
9	14569	Fill Adapter - Snap Tite Quick Connect - 3/8"-24 UNF
3*	03610	Hydrotest Adapter - 1"-12 UNF
<b>Halotron I - Brass Valve Extinguishers</b>		
10	14568	Fill Adapter - Snap Tite Quick Connect - 5/8" - 18 UNF
5*	03038	Hydrotest Adapter - 1 1/4"-12 UNF
<b>Carbon Dioxide - All CO2 Hand Portable Extinguishers</b>		
11	01316	Fill Adapter - Hansen Quick Connect - 1/4" - 18 NPT, Installs on 2 1/2lb., 5lb. Discharge Tube - 3/8" - 18 - NPT with the Bushing removed, Install on 10lb., 15lb., 20lb. CO2 Elbow
12	01290	Hydrotest Adapter 1-1/8" - 12 UNF X 1/2" - 14 - NPT
<b>Carbon Dioxide - Wheeled 50 lb. and 100 lb. Extinguishers</b>		
13	09902	Fill Adapter - Hansen Quick Connect 1/2" - 14 NPT
14*	04892	Hydrotest Adapter 3/4" - 14 - NPT
<b>Wheeled Stored Pressure - Dry Chemical, Halotron I and Halon 1211</b>		
15*	06160	Fill Adapter - Hansen Quick Connect 50 lb. Dry Chemical and Halon 1211 3/4" - 11 1/2" NH
5*	03038	Hydrotest Adapter - 1 1/4"-12 UNF (50lb.)
16	06157	Hydrotest Adapter (Hose) (Male Plug) - Use with P/N: 6160 for 1/2" Hose Assembly 3/4" - 11 1/2" NH
17*	09857	Fill Adapter - 125, 150 & 250 lb. Dry Chemical 150 lb. Halon 1211, 65 lb., 150 lb. Halotron I and 150 lb. Novec 1" - 8NH
18*	05152	Hydrotest Adapter (Cylinder) - 125, 150 & 250 lb. Dry Chemical 150 lb. Halon 1211, 65 lb., 150 lb. Halotron I and 150 lb. Novec 2" - 8UN
19*	05723	Hydrotest Adapter (Hose) - Use with P/N: 9857 for 3/4" and 1" Hose Assembly 1" - 8NH
<b>Wheeled Nitrogen or Argon Cylinder Operated - Gas Cylinder</b>		
14*	04892	Hydrotest Adapter for Gas Cylinder 3/4" - 14NPT
<b>Hose Hydrotest for Wheeled Dry Chemical, Foam, Halon, Halotron, Novec: For 1/2" Hose use 06160 Adapter and 06157 Plug. For 3/4" and 1" Hose use 09857 Adapter and 05723 Plug.</b>		
* ADAPTER CAN BE USED ON MORE THAN ONE TYPE EXTINGUISHER		
<b>Replacement Orings / Gaskets for Adapters</b>		
PART NO.	DESCRIPTION	
01532	Oring for Item: 2, 7, 9	
06978	Oring for Item: 4, 8, 10	
05241	Oring for Item: 3	
05240	Oring for Item: 1, 5	
09494	Gasket for Item: 6	
01124	Oring for Item: 12	
06056	Gasket for Item: 15	
03877	Gasket for Item: 17	
05239	Oring for Item: 18	







## Parts List Recharge Agents

### WATER & FOAM CHARGES

Charge 502, 22 oz. bottle AR-AFFF – Model 250 & 254  
Charge 506, 10 lb. carton Loaded Stream/Anti-Freeze – Model 240  
Charge 506, 55 gal. drum Loaded Stream/Anti-Freeze - Model 240  
Charge 534, 2 gal. pail AR-AFFF – Model 630 & 631 Wheeled

### WET CHEMICAL CHARGES

Charge 530-2, two 6 liter bottles – Model B260  
Charge 660-2, two 2½ gal. bottles – Model B262

### WATER MIST CHARGES

Charge 670-2, two 1¼ gal. bottles – Model B270NM  
Charge 671-2, two 2½ gal. bottles – Model B272NM

### HALOTRON™ I CHARGES

Charge 890, 35 lb. cylinder  
Charge 891, 80 lb. cylinder  
Charge 892, 200 lb. cylinder

### CLASS D DRY POWDER CHARGES

Charge 543, 35 lb. pail Graphite (G-Plus)  
Charge 532, 300 lb. drum Graphite (G-Plus)  
[Graphite applied to a metal fire using scoop or shovel]  
Charge 557, 30 lb. pail Sodium Chloride (Super D) – Model B570 & 680  
Charge 545, 50 lb. pail Sodium Chloride (Super D) – Model B570 & 680  
[Sodium Chloride (Super D) may also be dispensed by a scoop or shovel]  
Charge 548, 50 lb. pail Copper (Navy 125S) – Model B571 & 681

### ABC DRY CHEMICAL CHARGES

Charge 552, 25 lb. pail  
Charge 550, 50 lb. pail  
Charge 555, 50 lb. pail – Model B402  
Charge 540, 40 lb. carton  
Charge 540-4, four 10 lb. bags in 40 lb. carton  
Charge 509, 400 lb. drum

### REGULAR DRY CHEMICAL CHARGES

Charge 512, 50 lb. pail  
Charge 541, 40 lb. carton  
Charge 541-4, four 10 lb. bags in 40 lb. carton  
Charge 511, 400 lb. drum

### PURPLE K DRY CHEMICAL CHARGES

Charge 553, 25 lb. pail  
Charge 515, 50 lb. pail  
Charge 542, 40 lb. carton  
Charge 542-4, four 10 lb. bags in 40 lb. carton  
Charge 517, 400 lb. drum

## AMEREX SERVICE/MAINTENANCE MANUALS

(Free download from Amerex web site - [www.amerex-fire.com](http://www.amerex-fire.com) - located under "Resource Center")

- 00914 Owners Manual for Hand Portable Extinguishers
- 05601 Hand Portable - 2½ Gal. Water - Model 240
- 05602 Hand Portable Dry Chemical - ABC, Regular & Purple K
- 05603 Hand Portable Carbon Dioxide - Models 320, 322, 330, 331, 332
- 05604 Hand Portable Halon 1211
- 05605 Wheeled - 125/150 lb. N<sub>2</sub> Cyl. Operated -Models 450, 451, 452, 467, 468, 469, 470, 471, 472  
Stationary - Models 481, 482, 483, 484, 485, 486
- 05606 Wheeled - 50lb. and 150lb. Halon - Models 695 and 600
- 05607 Hand Portable - Premix Foam - Models 254 (6 Liter AR-AFFF), 250 (2½ Gal. AR-AFFF) & 252 (2½ Gal. FFFP)
- 05608 Wheeled - 125/150 lb. Stored Press.Dry Chemical - Models 488, 489, 490  
Stationary - Models 476, 477, 478
- 05612 Wheeled - 50 Lb. Stored Press. Dry Chemical - Models 495, 496, 497  
Stationary - Models 473, 474, 475
- 05614 Wheeled - 300/350 lb. N<sub>2</sub> Cylinder Operated Dry Chemical - Models 491, 492, 493  
Stationary - Models 464, 465, 466
- 05615 Wheeled & Stationary - 33 Gal. N<sub>2</sub> Cylinder Operated AR-AFFF Foam - Models 630 & 631
- 05616 Hand Portable - 6kg (13.2lb.), 20 & 30 lb. HIGH PERFORMANCE Dry Chemical
- 05617 Wheeled - 250 Lb. HIGH PERFORMANCE Dry Chemical - Models 573, 574, 575  
Stationary - Models 596, 597, 598
- 05618 Wheeled - 50 & 100 Lb. Carbon Dioxide - Models 333, 334, 335
- 05619 Hand Portable - 30 Lb. Class D (Copper) - Model 571/B571
- 05620 Wheeled - Class D - 150 Lb. Class D (Sodium Chloride) - Model 680 and 250 Lb. Copper - Model 681
- 08220 Hand Portable - 30 Lb. Class D (Sodium Chloride) - Model 570/B570
- 13259 Hand Portable - 6 Liter & 2½ Gal. "Class K" Wet Chemical - Models B260 & B262
- 14425 Hand Portable - 1.4, 2½, 5, 5.5, 11 & 15½ lb. Halotron I
- 14795 Recharge Recovery Halotron I
- 16303 Hand Portable - 1 3/4 Gal. and 2 1/2 Gal. Water Mist - Models 270/B270 and 272/B272
- 16672 Wheeled - 65lb. and 150lb. Halotron - Models 673, 674/B674, 675/B675

## AMEREX MSDS (Material Safety Data Sheets) and SDS (Safety Data Sheets)

Note: These may be downloaded and/or printed directly from the Amerex Web Page.  
Go to [www.amerex-fire.com](http://www.amerex-fire.com), select "RESOURCE CENTER" and download the MSDS/SDS information you require.



