

Table of Contents

Deadlocks

PRODUCT	SECTION & PAGE NUMBER
RITE Touch® Digital Glass Door Lock	DL-1 – DL-2
1830 Series Bottom Rail Deadlock (Swing Bolt)	DL-3 – DL-4
1837 Series MS® Two-Point Deadlock	DL-5 – DL-6
MS1847 Series MS® Deadlock/Deadlatch	DL-7 – DL-8
MS1850S Series MS® Deadlock	DL-9 – DL-10
MS1850S-050 Series MS® Deadlock	DL-11 – DL-12
MS-1850SN Series MS® Deadlock (ANSI Size)	DL-13 – DL-14
MS1850SN-050 Series MS® Deadlock (ANSI Size)	DL-15 – DL-16
MS1861 Series MS® Bottom Rail Deadbolt	DL-17 – DL-18
1875 Two-Point Deadlock	DL-19 – DL-20
MS+1890 Series MS® Deadlock/Deadlatch	DL-21 – DL-22
MS1950 Series MS® Deadlock	DL-23 – DL-24
MS1950-050 Series MS® Deadlock	DL-25 – DL-26
Dual Force® 2190 Interconnected Deadbolt/Deadlatch	DL-27 – DL-28 Fold-out
Dual Force® 2290 Interconnected Deadbolt/Deadlatch	DL-29 – DL-30 Fold-out
2331 Heavy Duty Deadbolt	DL-31 – DL-32
4070 Series Short Throw Deadbolt (Projection Style)	DL-33 – DL-34
4189, 4190 Flush Locksets (Including Deadlock)	DL-35 – DL-36
4430, 4431 Flush Locksets (Including Deadlock)	DL-37 – DL-38
5017 Wood Door Deadlock/Deadlatch	DL-39 – DL-40
Options & Accessories for Deadlocks	DL-41 – DL-42

Deadlatches

PRODUCT	SECTION & PAGE NUMBER
Steel Hawk 4300 Electrified Deadlatch (eLatch)	DA-1 – DA-2 Fold-Out
4510 Standard Duty Deadlatch	DA-3 – DA-4
4530 Standard Duty Deadlatch	DA-5 – DA-6
4781 Two-Point Deadlatch with Paddle	DA-7 – DA-8
4900 Heavy Duty Deadlatch	DA-9 – DA-10
4920AN Heavy Duty Deadlatch (ANSI Size)	DA-11 – DA-12
Options & Accessories for Deadlatches	DA-13 – DA-14

Flushbolts & Pivots

PRODUCT	SECTION & PAGE NUMBER
1870 Cylinder-Operated Flushbolt	FP-1 – FP-2
1870HM Cylinder-Operated Flushbolt	FP-3 – FP-4
1877 Cylinder-Operated Flushbolt	FP-5 – FP-6
MS1880, MS1881 Two-Point Flushbolts	FP-7 – FP-8
MS2180 Auto-Release Two-Point Flushbolt	FP-9 – FP-10
B1921, B1923 Reinforcing Pivots	FP-11 – FP-12
Options & Accessories for Flushbolts	FP-13 – FP-14

Exit Devices

PRODUCT	SECTION & PAGE NUMBER
3100 Series (Fire-Rated) 8100 Series (Life-Safety) Surface Vertical Rod Exit Devices	ED-1 – ED-2 Fold-Out
8200 Series (Life-Safety) Narrow Stile Surface Vertical Rod Exit Device	ED-3 – ED-4
3300 Series (Fire-Rated) 8300 Series (Life-Safety) Mortise Exit Device	ED-5 – ED-6 Fold-Out
8400 Series (Life-Safety) Narrow Stile Mortise Exit Device	ED-7 – ED-8
3600 Series (Fire-Rated) 8500 Series (Life-Safety) Metal Door Concealed Vertical Rod Exit Device	ED-9 – ED-10 Fold-Out
8600 Series (Life-Safety) Narrow Stile Concealed Vertical Rod Exit Device	ED-11 – ED-12
3700 Series (Fire-Rated) 8700 Series (Life-Safety) Rim Exit Device	ED-13 – ED-14 Fold-Out
8800 Series (Life-Safety) Narrow Stile Rim Exit Device	ED-15 – ED-16
3900 Series (Fire-Rated) 8900 Series (Life-Safety) Wood Door Concealed Vertical Rod Exit Device	ED-17 – ED-18 Fold-Out
Options & Accessories for Exit Devices	ED-19 – ED-20



Electric Strikes

PRODUCT	SECTION & PAGE NUMBER
7100, 7101 Electric Strikes	ES-1 – ES-2
7110, 7111 Electric Strikes	ES-3 – ES-4
7130, 7131 Electric Strikes	ES-5 – ES-6
7140 Electric Strike	ES-7 – ES-8
7160 Electric Strike	ES-9 – ES-10
7170 Electric Strike	ES-11 – ES-12
7240 Fire-Rated Electric Strike	ES-13 – ES-14
7270 Fire-Rated Electric Strike	ES-15 – ES-16
UltraLine 7400, 7401 Electric Strikes	ES-17 – ES-18
UltraLine 7410, 7411 Electric Strikes	ES-19 – ES-20
UltraLine 7430, 7431 Electric Strikes	ES-21 – ES-22
UltraLine 7440 Electric Strike	ES-23 – ES-24
UltraLine 74R1 Electric Strike	ES-25 – ES-26
UltraLine 74R2 Electric Strike	ES-27 – ES-28
Options & Accessories for Electric Strikes	ES-29 – ES-30

Trim

PRODUCT	SECTION & PAGE NUMBER
1000 Series Turns	T-1 – T-2
3080 Series Entry Trim	T-3 – T-4 Fold-Out
eForce® - 150, 3090 Keyless Entry	T-5 – T-6
eForce® - 3090P, 3090C Keyless Entry	T-7 – T-8
A100-3090H Keyless Entry Control and Asperio® Hub	T-9 – T-10
4550 MS® Deadlock Lever	T-11 – T-12
4560, 4565 Deadlatch Handles	T-13 – T-14
4568, 4569 Eurostyle Deadlatch Handles	T-15 – T-16
4590 Deadlatch Paddle	T-17 – T-18
4591 Deadlatch Paddle	T-19 – T-20
4600 Heavy Duty Designer Deadlatch Handles	T-21 – T-22

Cylinders

PRODUCT	SECTION & PAGE NUMBER
4024, 4025, 4026 Cylinder Pulls	C-1 – C-2
4036 Mortise Cylinder & 4066 Thumbturn	C-3 – C-4
MS4043 Cylinder Guard	C-5 – C-6

Accessories

PRODUCT	SECTION & PAGE NUMBER
4000 Series MS® Deadlock Strikes	A-1 – A-2
4015 Threshold Bolt	A-3 – A-4
4016 Header Bolt	A-5 – A-6
4085 Header Bolt (Pairs of Doors Only)	A-7 – A-8
4089 Exit Indicator	A-9 – A-10
4800 Series Strikes	A-11 – A-12
4901, 4902 Deadlatch Strikes	A-13 – A-14
Lock Mounting Methods	A-15

Power

PRODUCT	SECTION & PAGE NUMBER
PS-SE Power Supply	P-1 – P-2
PS-1 Power Supply	P-3 – P-4
PS-LR Power Supply	P-5 – P-6
Transformer, Rectifier, and Piezo Horn	P-7 – P-8
4612 Power Transfer Device	P-9 – P-10

General Info

PRODUCT	SECTION & PAGE NUMBER
Terms & Icon Glossary	GI-1 – GI-2
Architectural Finishes	GI-3
Handing of Doors	GI-4
Adams Rite Limited Warranty & General RMA Procedure	GI-5
LEED Certification	GI-6

RITE Touch® RT1050D Digital Glass Door Lock



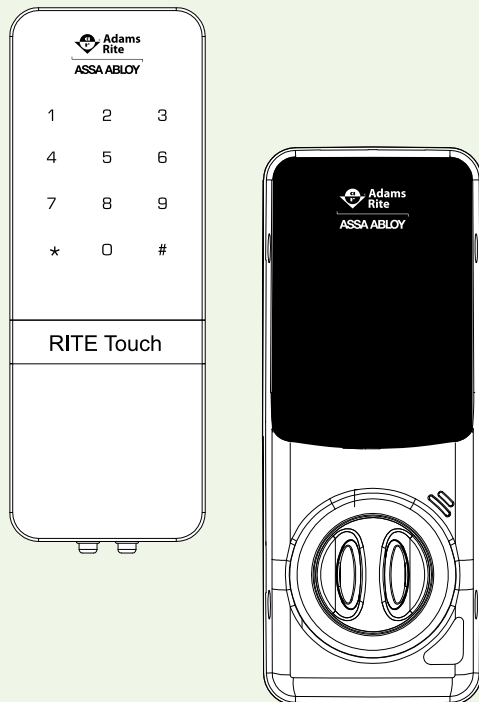
FULL GLASS

ELECTRIFIED
PRODUCT

The surface-mounted RITE Touch RT1050D provides flexible, keyless access control for single or double all-glass doors.

Function

The RITE Touch RT1050D is a digital door lock that provides keyless access control for all-glass openings. The RITE Touch offers sophisticated styling, convenience, flexible access control, and safety and security for single or double glass doors. Perfect for indoor applications, the easy to install surface-mounted RITE Touch RT1050D combines elegant aesthetics with the latest touch screen technology, to harmonize style and security.



Features

- Battery-operated lock uses 4 AA alkaline batteries
- Expected battery life is 1 year based on 10 daily uses
- Operating temperature 5°F to 130°F (-15°C to 55°C)
- Programming via touch-screen
- RITE Touch will support up to 40 credential cards (extra cards available separately)

Operation

The surface-mounted lock features two options for credential actuation on the secure side of the door: either by entering a user code using a touch-screen or by using provided Mifare credential cards. The lock features dual unlock from the inside of the door, either by thumbturn or by using an override button.

Specifications

DOOR THICKNESS

- 7/16" to 1/2" thick glass doors, indoor applications only.

LOCK BODY

- The RITE Touch RT1050D comes in an elegant mirrored finish.
- **Front Body:** 9/16" x 2-7/8" x 7-5/16"
- **Back Body:** 1-15/16" x 3-1/16" x 7-1/2"

BOLT

- Twin bolts measuring 13/32" diameter with 1-1/8" throw. Bolt Extensions included separately in standard package for larger door gap, including twin bolts with 2-1/8" throw.

STRIKE

- Surface-mounted strike plate for double glass doors provided.

OPTIONS

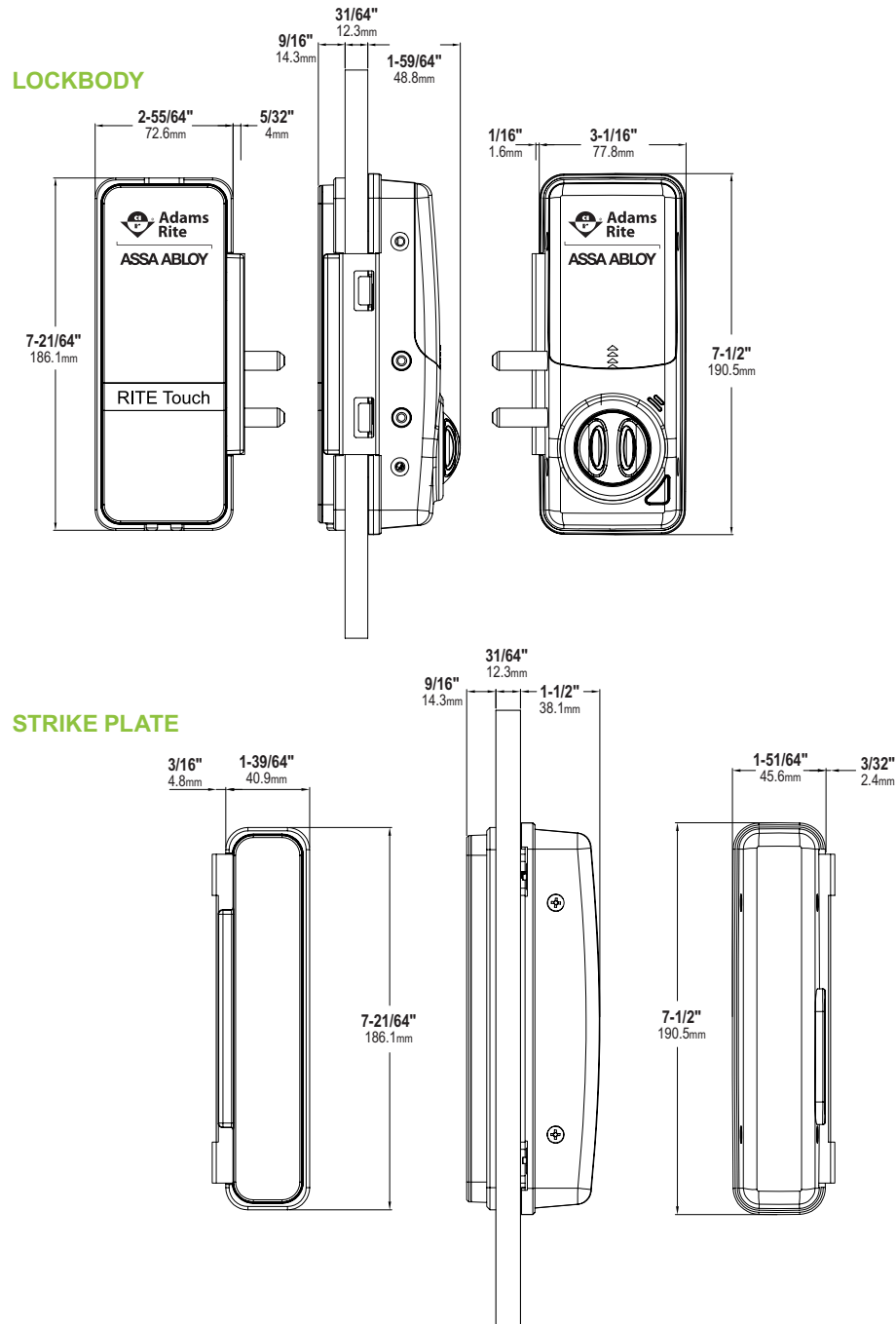
- The RITE Touch RT1050D is designed for single or double glass doors. The surface-mounted strike is provided for double door applications. Extra credential cards available in packs of 5.

STANDARD PACKAGE

- Individually boxed with mounting plate, AA batteries (x4), credential cards (x4), single door magnet, bolt extensions, thin door plate, and mounting screws. Shipping weight: 6 lbs.

All measurements are approximate and are provided for informational purposes only. Refer to the product Installation Instructions.

Dimensions



HOW TO ORDER RT1050D RITE TOUCH DIGITAL GLASS DOOR LOCK

Specify quantity and the following information.

RITE TOUCH	MODEL
RT	1050D
	1050D For single or double doors

RELATED PRODUCTS When purchasing this product, please consider the following related products, available separately:

Accessories

Extra credential card 5 pack (RT-5C-1050).

1830 Bottom Rail Deadlock (Swing Bolt)



FULL GLASS



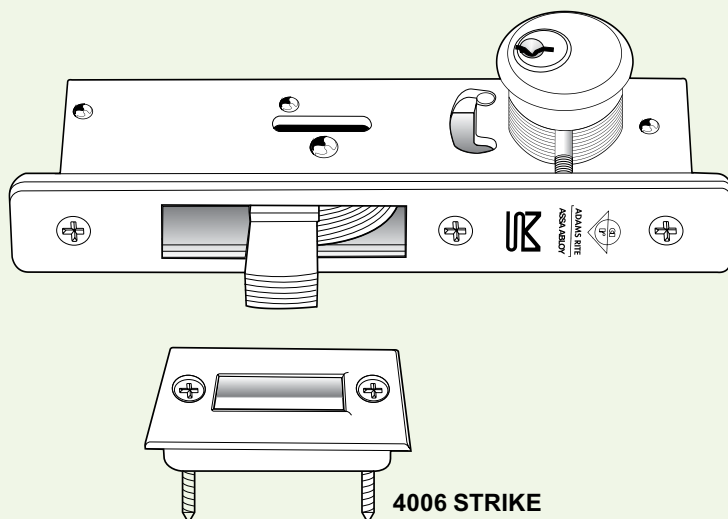
ALUMINUM

GRADE 1
E8211

The 1830 Bottom Rail Deadlock provides bottom rail locking in ultra-narrow stile or tempered glass doors. Tamper-proof with an armored faceplate, it protects with a minimum threshold strike opening.

Function

For bottom rail locking of ultra-narrow stile or tempered glass doors whose bottom rail (shoe) is too shallow for the MS1861 Bottom Rail Deadbolt (see DEADLOCKS). Mechanism is that of the MS1850 Deadlock, but with the bolt size reduced. This keeps the threshold strike opening to a practical minimum, avoiding collection of debris or snagging on high-heeled shoes. Armor faceplate protects cylinder setscrews from tampering and keeps them from loosening. Not applicable to wood doors.



Operation

360° turn of key or thumbturn throws or retracts the counterbalanced bolt. Key can be removed only when bolt is in a positively locked or unlocked position. Lock accepts any standard 1-5/32" mortise cylinder from either or both sides. Cylinder must have MS® dimensioned cam.

Specifications

CYLINDER HEIGHT (BACKSET)

- 31/32" and 1-1/8" only.

CASE

- Steel with corrosion-resistant plating, measures 1" x 6" x depth (depth varies with cylinder height).

BOLTS

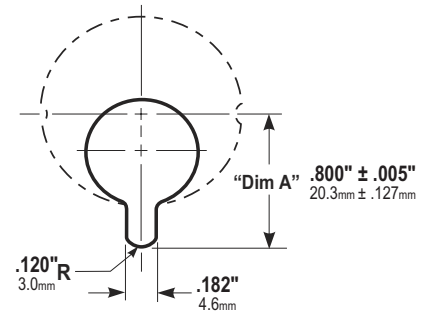
- 15/32" x 5/8" x 2-1/8" with 5/8" throw. Six-ply laminated steel with eight plies within case. Center ply has alumina-ceramic core to deter hacksaw attack.

STRIKE

- See back page for dimensions of strike slot which can be cut in metal thresholds. 4006 strike (shown) is available separately, with stainless steel trim plate and plastic box.

CYLINDER CAM

- 1830 Bottom Rail Deadlocks are operable by any standard 1-5/32" diameter mortise cylinder with MS® cam, dimensioned as shown. Cylinders with MS® cams can be readily obtained from most cylinder manufacturers. See CYLINDERS section for cylinder make, thumbturn and trim ring information.



OPTIONS

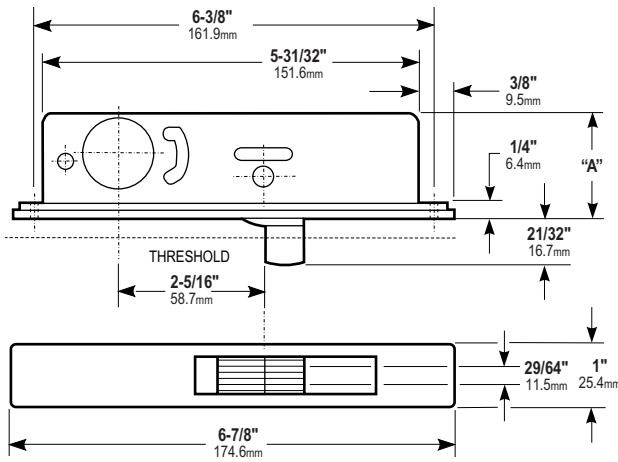
- Specify either 31/32" or 1-1/8" cylinder height (see dash table). 4006 strike and cylinder(s) available separately, if required.

STANDARD PACKAGE

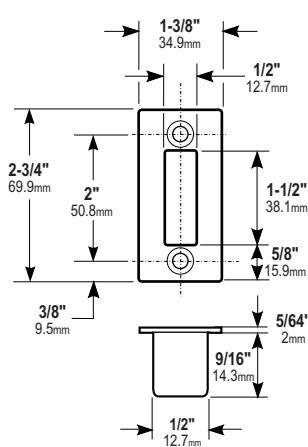
- Individually boxed with machine screws for mounting. Cylinders and/or thumbturns are available separately. Shipping weight: 1-1/2 lbs.

All measurements are approximate and are provided for informational purposes only. Refer to the product Installation Instructions.

Dimensions

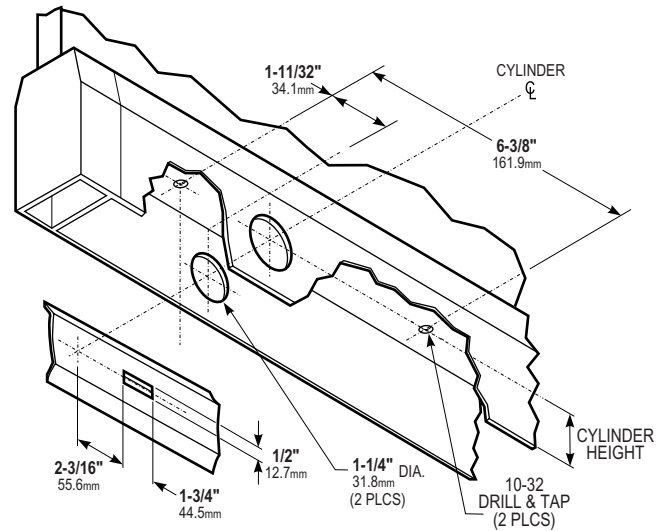


4006 Strike Dimensions

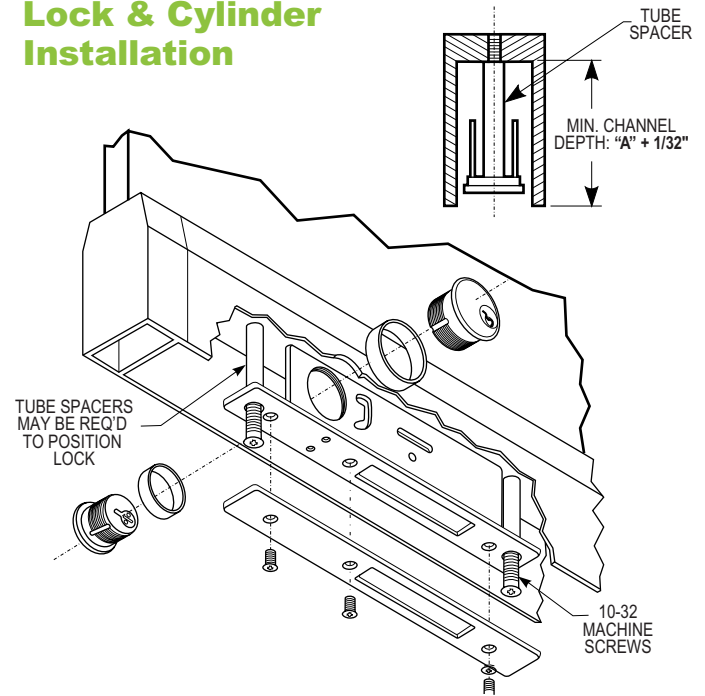


DASH NO.	CYLINDER HEIGHT	DIM. A
-02	31/32" 24.6mm	1-5/8" 41.3mm
-03	1-1/8" 28.6mm	1-25/32" 45.2mm

Stile & Threshold Preparation



Lock & Cylinder Installation



HOW TO ORDER 1830 BOTTOM RAIL DEADLOCK Specify quantity and the following information. Order related products separately.

PRODUCT NO.	DASH NO. (SPECIFY FOR CYLINDER HEIGHT AND LOCK DEPTH)	FINISH
1830	-02	-628
	02 Cylinder Height 31/32" Dim. "A" 1-5/8"	628 Clear Anodized
	03 Cylinder Height 1-1/8" Dim. "A" 1-25/32"	313 Dark Bronze Anodized

RELATED PRODUCTS When purchasing this product, please consider the following related products, available separately:

Accessories

- 4006 strike.
- Cylinder guards.

Cylinders

1830 Bottom Rail Deadlocks are operable by any standard 1-5/32" diameter mortise cylinder with MS® cam.

MS1837 Series MS® Two-Point Deadlock



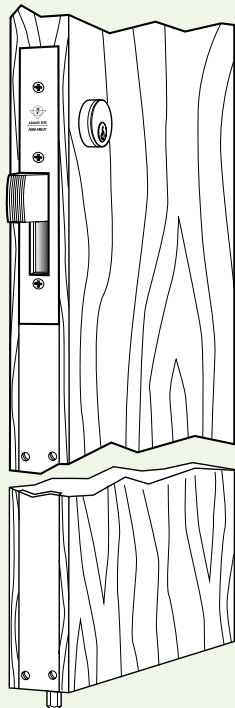
WOOD

GRADE 1
E8241

Maximum security for wood door pairs is provided with the MS1837 Two-Point Deadlock. A single turn drops a bolt into the threshold and pivots the MS bolt.

Function

Maximum security for wood door pairs by a single turn of a key is provided with the MS1837. Simultaneously dropping a stainless steel hexbolt into the threshold and pivoting the massive MS bolt into the opposite leaf, the MS1837 eliminates inconvenient and sometimes forgotten flushbolts in the inactive leaf.



Operation

360° turn of key or thumbturn throws counterbalanced bolt into opposite door and drops bolt into threshold. Key can be removed only when bolts are in a positively locked or unlocked position. Lock accepts any standard 1-5/32" diameter mortise cylinder from either or both sides. Cylinder must have MS® dimensioned cam.

Specifications

CYLINDER BACKSET

- 1-1/2" only.

CYLINDER HEIGHT

- 36" standard. Other heights available on special order.

CASE

- Steel with corrosion-resistant plate, measures 1" x 6" x 2-3/16".

PIVOTED BOLT

- 5/8" x 1-3/4" x 2-7/8" with 1-3/8" throw. Eight-ply laminated steel with alumina-ceramic core to deter hacksaw attack.

THRESHOLD BOLT

- Hexagonal 3/8", flat to flat. Stainless steel.

ARMORED FACEPLATE

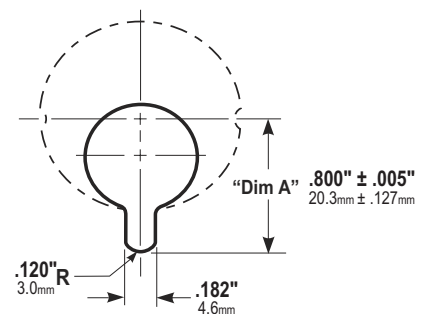
- Flat, two-piece plate extends to bottom of door. Standard finish is US28 (628) Clear Anodized.

STRIKE

- For MS bolt, a 4001-011 strike plate with dust box is furnished. Threshold bolt strike can be 1/2" diameter hole in metal threshold or, if threshold is wood, 4005 strike is available as an option.

CYLINDER CAM

- 1837 Two-Point Deadlocks are operable by any standard 1-5/32" diameter mortise cylinder with MS® cam, dimensioned as shown. Cylinders with MS® cams can be readily obtained from most cylinder manufacturers. See CYLINDERS section for cylinder make, thumbturn and trim ring information.

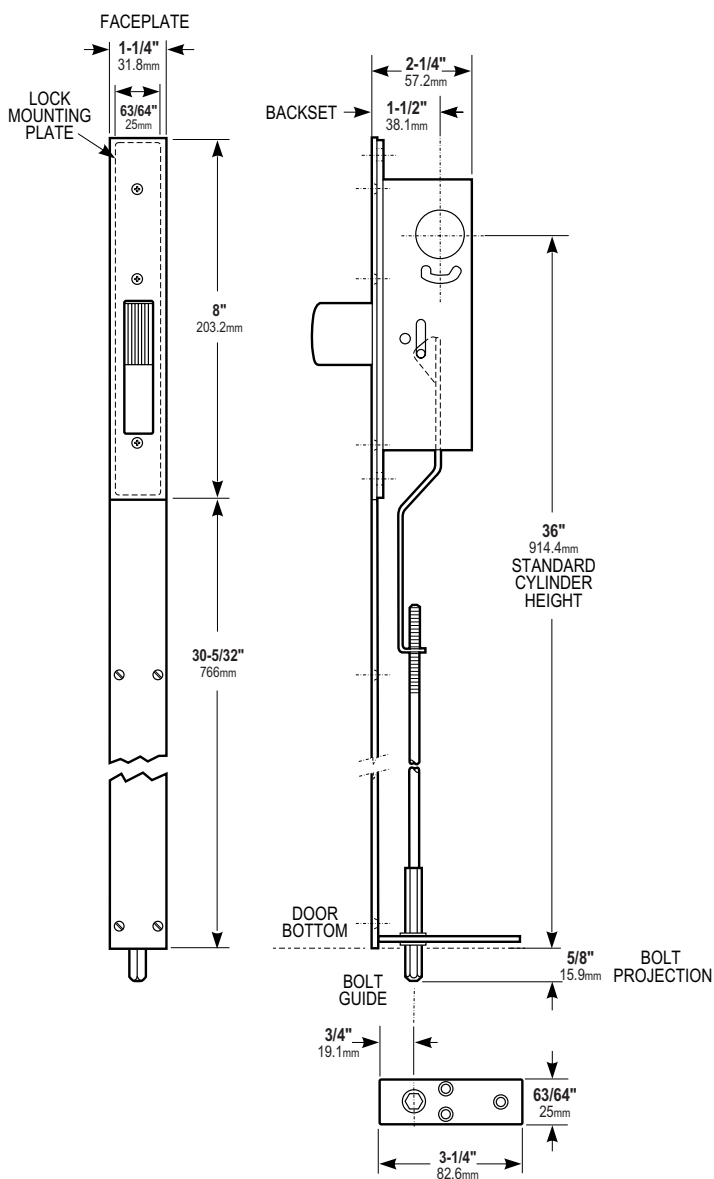


STANDARD PACKAGE

- Basic MS lock individually boxed with mounting screws. Hexbolt and rod packed separately with face extension plate, screws, bottom bolt guide, and attachment pin. Cylinders and/or thumbturns available separately. Shipping weight: 3 lbs.

All measurements are approximate and are provided for informational purposes only. Refer to the product Installation Instructions.

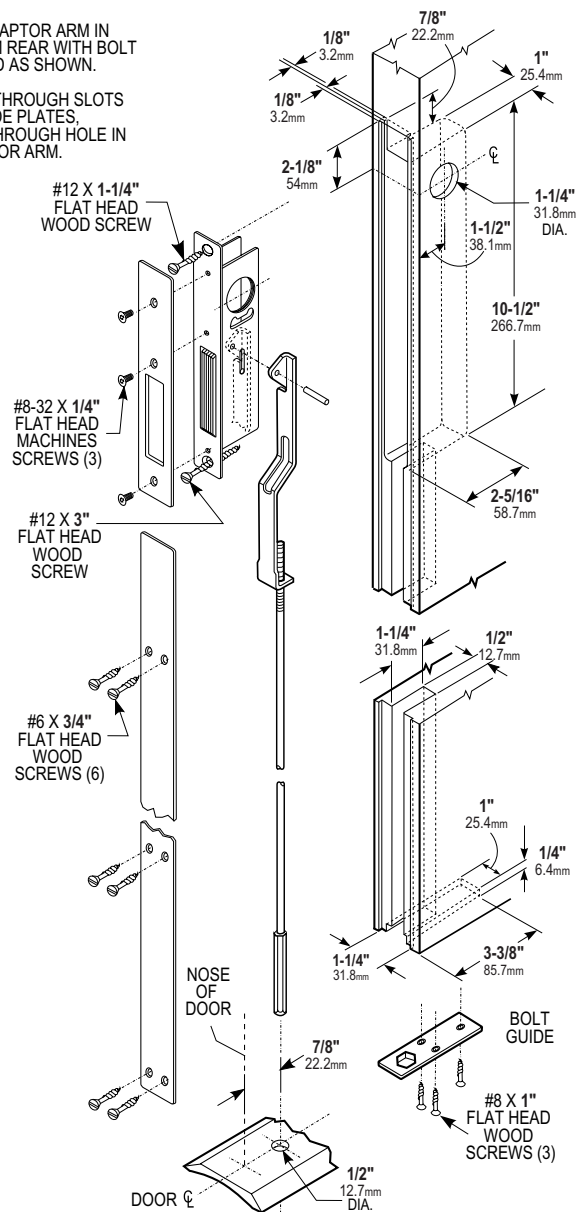
Dimensions



Installation

INSTALL ADAPTOR ARM IN LOCK FROM REAR WITH BOLT RETRACTED AS SHOWN.

DRIVE PIN THROUGH SLOTS IN LOCK SIDE PLATES, PASSING THROUGH HOLE IN THE ADAPTOR ARM.



HOW TO ORDER MS1837 SERIES MS® TWO-POINT DEADLOCK

Specify quantity and the following information. Order related products separately.

PRODUCT NO.	FINISH	
MS1837	-313	
	313 Dark Bronze Anodized	626 Satin Chrome
	335 Black Anodized	628 Clear Anodized
	605 Bright Brass	

If cylinder height other than 36" is required, specify exact height from bottom of door to cylinder center.

RELATED PRODUCTS When purchasing this product, please consider the following related products, available separately:

Accessories

4005 trim strike for wooden threshold.

Cylinders

MS1837 Two-Point Deadlocks are operable by any standard 1-5/32" diameter mortise cylinder with MS® cam.

MS1847 Series MS® Deadlock/Deadlatch



FULL GLASS



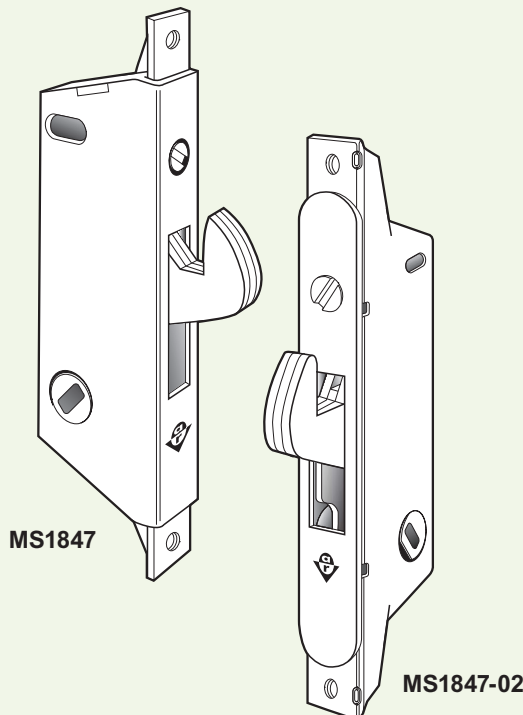
ALUMINUM

GRADE 1
E8291

The MS1847 Deadlock/Latch for ultra-narrow stile sliding doors features a self-protecting bolt with adjustable bolt projection.

Function

A compact lock designed to fit within very narrow sliding door stiles without compromising the high degree of security these doors need. The sturdy stainless steel bolt has two important features not usually found in sliding door hardware. First, it is adjustable: a full 3/16" lengthening or shortening of bolt projection is possible by turning an exposed screw in the face of the lock. This can compensate for considerable misalignment between door and jamb. Second, the MS1847 bolt is self-protecting: if the door is closed with the bolt in the locked position, the bolt will retract immediately on contact with the jamb, thus preventing damage or accidental lock-out.



Operation

Can be operated by a standard cylinder, so the glass door may be keyed-in with other types of doors. Three hub slot positions allow installation even where jamb and stile design provides severely limited turn clearance.

Specifications

LATCH VERSION

- The same stainless steel hookbolt, but spring-loaded for automatic latching, is provided by the MS1847-11 and MS1847-13. *All dimensions and available accessories for the MS1847 deadlocks also apply to MS1847 deadlatches.*

CASE

- Stainless steel, measures 1/2" x 3-3/16" x 1-1/8".

ANTI-LIFT BOLT

- Three-ply laminated stainless steel. Designed to withstand approximately one-half ton force, either horizontal or vertical. Anti-lift bolt stops both door-from-jamb pry bar attacks and attempts to lift the door from its track.

FACE

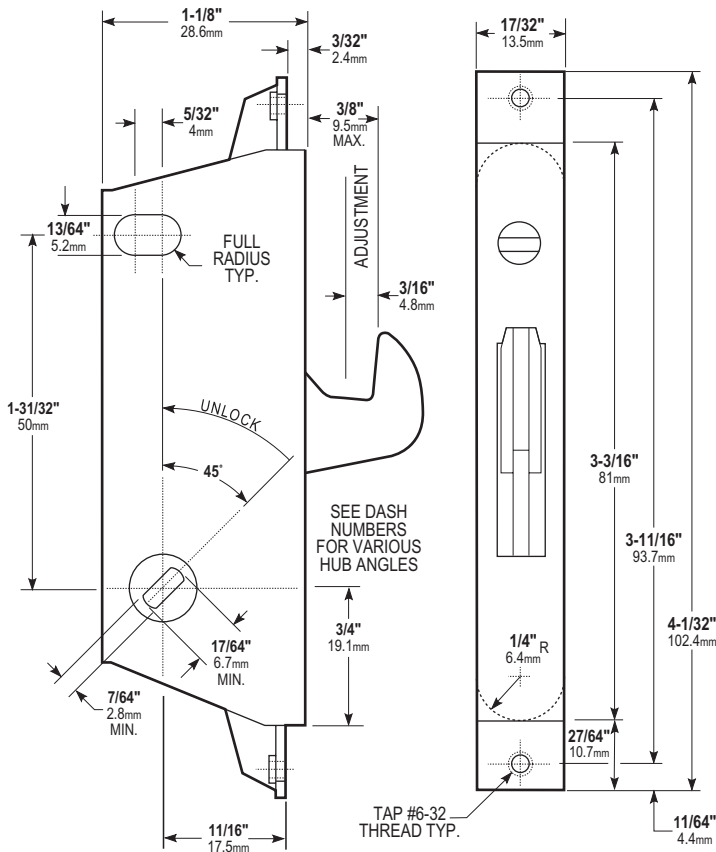
- Rectangular or full radiused ends (see table on back of page for dash numbers).

STANDARD PACKAGE

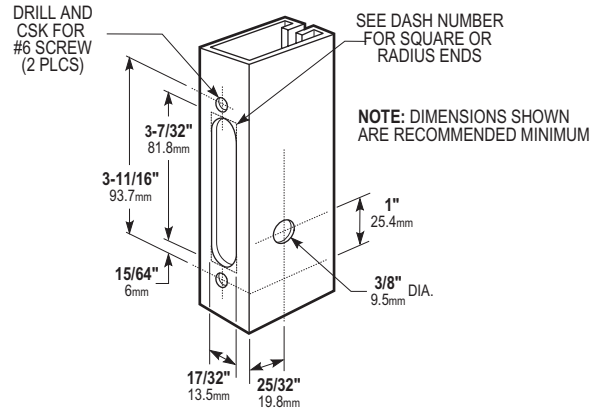
- Case-packed with machine screws for mounting. Shipping weight: 1/3 lb.

All measurements are approximate and are provided for informational purposes only. Refer to the product Installation Instructions.

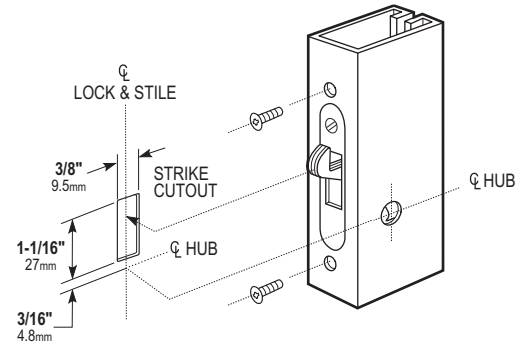
Dimensions



Stile Preparation



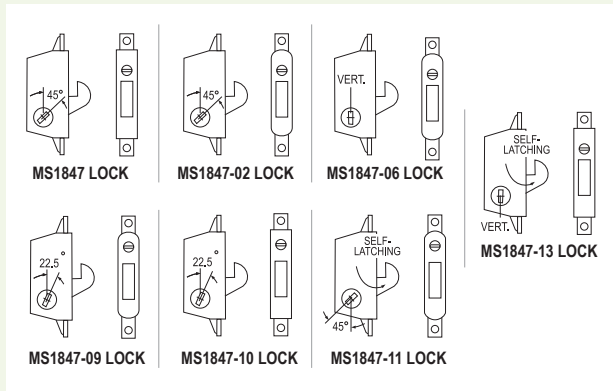
Installation



HOW TO ORDER MS1847 SERIES MS® DEADLOCK/DEADLATCH

Specify quantity and the following information. Order related products separately.

PRODUCT NO.	FACE SHAPE, HUB ANGLE, LOCK OR LATCH	FINISH
MS1847	-02	-630
	(blank) See Configuration Table	630 Satin Stainless
	02 See Configuration Table	
	06 See Configuration Table	
	09 See Configuration Table	
	10 See Configuration Table	
	11 See Configuration Table	
	13 See Configuration Table	



RELATED PRODUCTS When purchasing this product, please consider the following related products, available separately:

Accessories

Trim strikes.

Cylinders

Turns and cylinder pulls.

MS1850S Series MS® Deadlock



ALUMINUM

GRADE 1
E8211

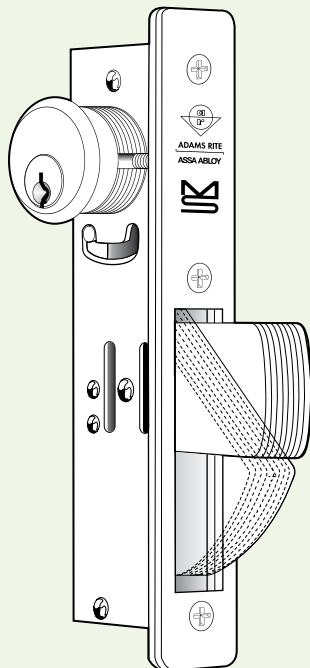
The MS1850S Deadlock utilizes a laminated stainless steel bolt, activated by a pivot mechanism to provide maximum security for a single leaf narrow stile door.

Function

A huge bolt of laminated stainless steel, nearly three inches long, activated by an uncomplicated pivot mechanism, has made this basic MS® Deadlock the standard of the narrow stile door industry. The length of this bolt provides maximum security for a single leaf door, even a very tall and flexible one or an installation where the gap between the door and jamb is greater than it should be.

Operation

360° turn of key or thumbturn throws or retracts the counterbalanced bolt. Key can be removed only when bolt is in a positively locked or unlocked position. Lock accepts any standard 1-5/32" diameter mortise cylinder or thumbturn from either or both sides. Cylinder must have MS® dimensioned cam.



Specifications

CYLINDER BACKSET

- 7/8", 31/32", 1-1/8", or 1-1/2" only.

CASE

- Steel with corrosion-resistant plating, measures 1" x 6" x depth. Depth varies by backset (see table on back of page).

BOLT

- 5/8" x 1-3/8" x 2-7/8" with 1-3/8" throw. Eight-ply laminated stainless steel. Center ply has alumina-ceramic core to defeat any hacksaw attack, including rod-type "super" hacksaws.

FACEPLATE

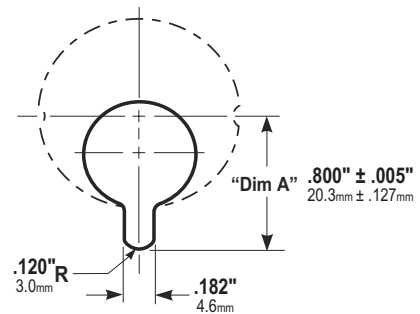
- Measures 1" x 6-7/8"

STRIKE

- See back of page for dimensions of strike slot which can be cut in metal jamb. Trim plate, box strike, and armored strike are available separately.

CYLINDER CAM

- MS1850S Deadlocks are operable by any standard 1-5/32" diameter mortise cylinder with MS® cam dimensioned as shown. Cylinders with MS® cams can be readily obtained from most cylinder manufacturers. See CYLINDERS section for cylinder make, thumbturn and trim ring information.



OPTIONS

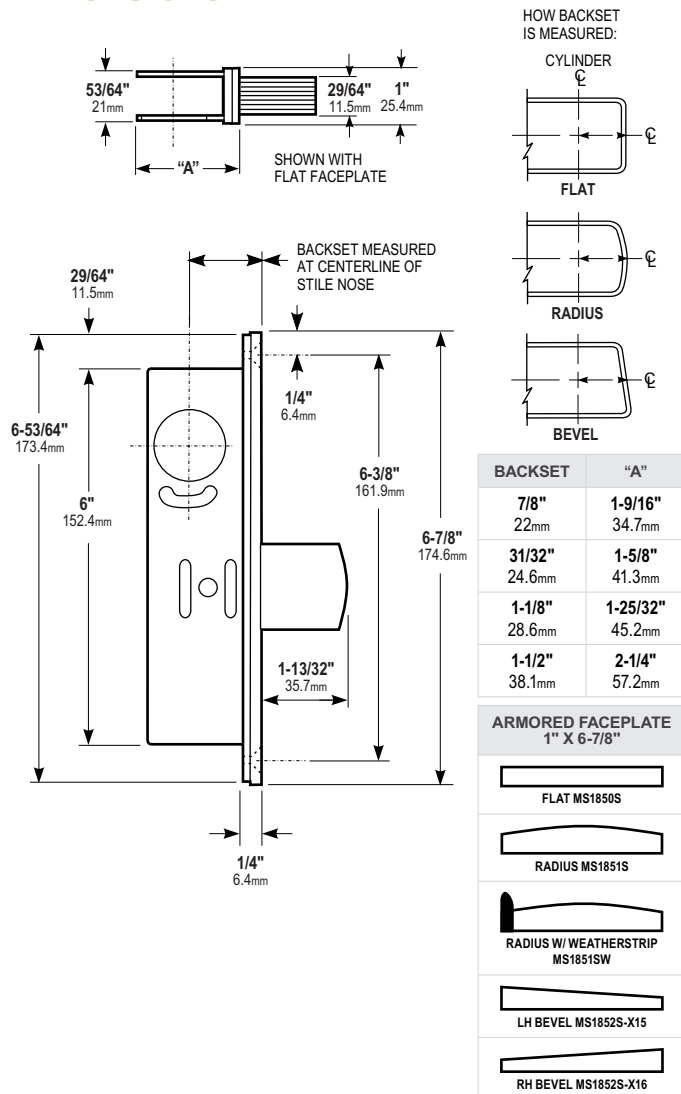
- For jambs too narrow to accept the long bolt, the MS1850S-050 offers a shorter bolt with hook shape to provide equal security against door-prying attempts. 1850S-020 short throw without hook is also available. Second and third point locking bolts are available for pairs of doors. All use any make standard mortise cylinder and thus can be keyed into systems with other types of doors. "SCHOOLHOUSE" version, also available, is modified so that operation from inside is "unlock only". This lock is handed and must be specified LH or RH. Specify Series SCH1850S. Same faceplate and backset options as Series MS1850S. Operation from inside, with standard Adams Rite 4066 Turn or with 4550 Deadlock Lever. For wood or hollow metal, see MS1850SN.

STANDARD PACKAGE

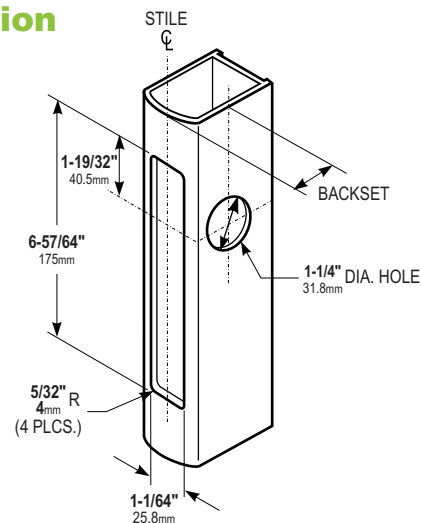
- Individually boxed with machine screws for mounting. Cylinders and/or thumbturns available separately. Shipping weight: 1-1/2 lbs.

All measurements are approximate and are provided for informational purposes only. Refer to the product Installation Instructions.

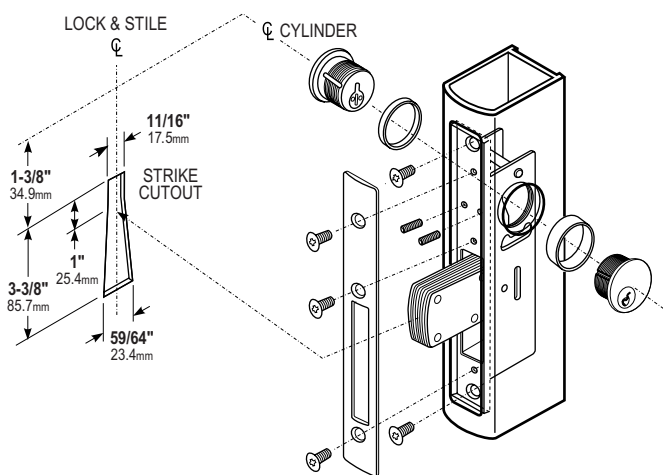
Dimensions



Stile Preparation



Lock & Cylinder Installation



HOW TO ORDER MS1850S SERIES MS® DEADLOCK

Specify quantity and the following information. Order related products separately.

PRODUCT NO.	FACEPLATE	BACKSET	HANDING	FINISH
MS185	OS	- 2	- 10	- 628
	0S Flat	1 7/8"	15 LH or RHR	313 Dark Bronze Anodized
	1S Radius	2 31/32"	16 RH or LHR	335 Black Anodized
	1SW Radius with weatherstrip	3 1-1/8"	10 Non-Handed*	628 Clear Anodized
	2S Bevel	4 1-1/2"		

*Any flat or radius faceplate, except Schoolhouse.

RELATED PRODUCTS When purchasing this product, please consider the following related products, available separately:

Accessories

4015 Threshold Bolt or 4016 Header Bolt for multi-point locking.

4085 Header Bolt for pairs of doors.

4000, 4001, MS4002 Deadlock Strikes.

Lock mounting accessories and options.

Cylinders

MS1850S Deadlocks are operable by any standard 1-5/32" diameter mortise cylinder with MS® cam.

Trim

Deadlock lever trim and keyless entry trim.

Exit indicators.

Special Order Options

Schoolhouse function available as special order.

MS1850S-050 Series MS® Deadlock



ALUMINUM

GRADE 1
E8281/E8291

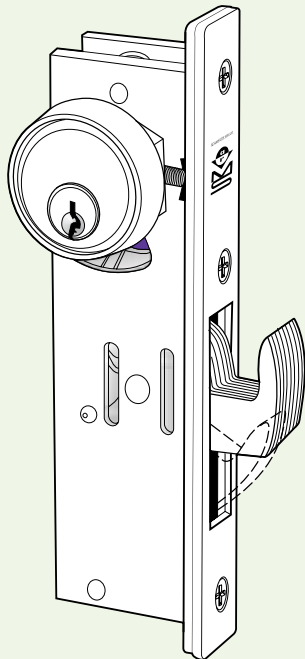
The MS1850S-050 Deadlock utilizes a laminated stainless steel hookbolt, activated by a pivot mechanism to provide maximum security for a sliding narrow stile door.

Function

The MS1850S-050 Deadlock answers the security need of sliding glass doors in commercial, industrial, and institutional buildings. The mechanism is identical to the widely used Maximum Security swinging door lock, except that the massive laminated bolt is provided in a hook shape to resist the parting motion of sliding door and jamb. The over-center MS locking action assures that forced entry attempts to pry the door in any direction, up, down, or sideways will be defeated.

Operation

360° turn of key or thumbturn throws or retracts the counterbalanced bolt. Key can be removed only when bolt is in a positively locked or unlocked position. Lock accepts any standard 1-5/32" diameter mortise cylinder or thumbturn from either or both sides. Cylinder must have MS® dimensioned cam.



Specifications

CYLINDER BACKSET

- 7/8", 31/32", 1-1/8", or 1-1/2" only.

CASE

- Steel with corrosion-resistant plating, measures 1" x 6" x depth. Depth varies by backset (see table on back of page).

BOLT

- 5/8" x 1-3/8" with 13/16" throw. Eight-ply laminated stainless steel. Center ply has alumina-ceramic core to defeat any hacksaw attack, including rod-type "super" hacksaws, while hook shape repels pry bar attempts to "spread" the door from its jamb or lift it off its track.

FACEPLATE

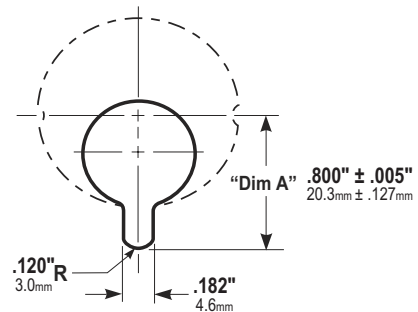
- Measures 1" x 6-7/8".

STRIKE

- See back of page for dimensions of strike slot which can be cut in metal jamb. Trim plate, box strike, and armored strike are available separately.

CYLINDER CAM

- MS1850S-050 Deadlocks are operable by any standard 1-5/32" diameter mortise cylinder with MS® cam dimensioned as shown. Cylinders with MS® cams can be readily obtained from most cylinder manufacturers. See CYLINDERS section for cylinder make, thumbturn and trim ring information.



OPTIONS

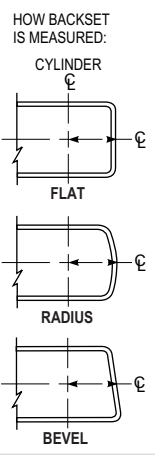
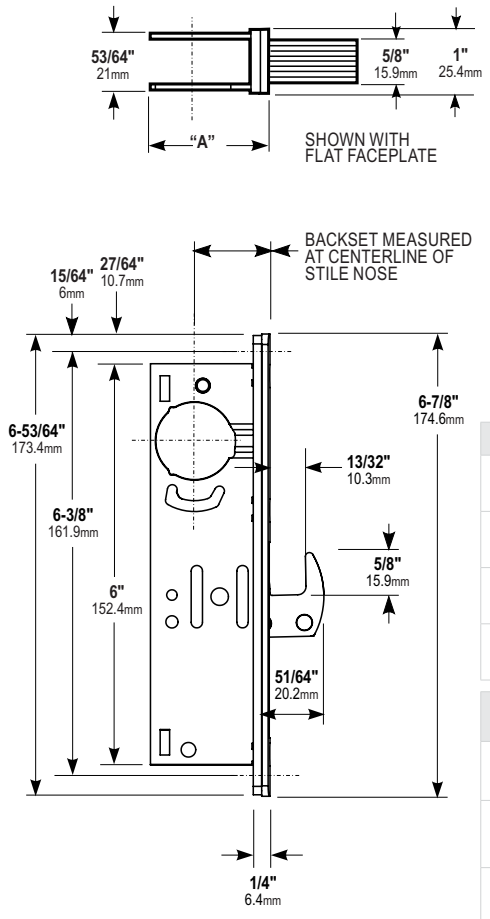
- Cylinder backset and faceplate finish and shape (radiused, flat or bevel cross-section to match door nose) must be specified. "SCHOOLHOUSE" version, also available, is modified so that operation from inside is "unlock only". This lock is handed and must be specified LH or RH. Specify Series SCH1850S-050. Same faceplate and backset options as Series MS1850S-050. Operation from inside, with standard Adams Rite 4066 Trim or with 4550 Deadlock Lever. For wood or hollow metal, see MS1850SN.

STANDARD PACKAGE

- Individually boxed with machine screws for mounting. Cylinders and/or thumbturns available separately. Shipping weight: 1-1/2 lbs.

All measurements are approximate and are provided for informational purposes only. Refer to the product Installation Instructions.

Dimensions

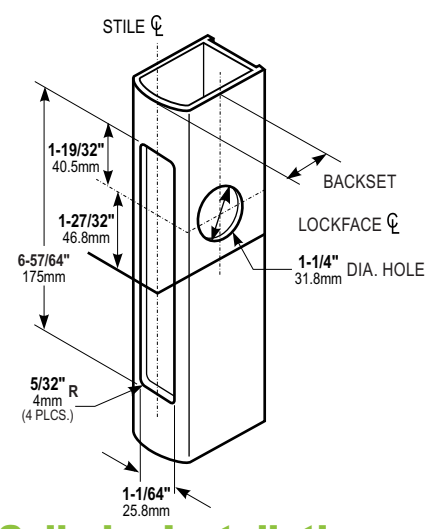


BACKSET	"A"
7/8" 22.2mm	1-9/16" 39.7mm
31/32" 24.6mm	1-5/8" 41.3mm
1-1/8" 28.6mm	1-25/32" 44.5mm
1-1/2" 38.1mm	2-1/4" 57.2mm

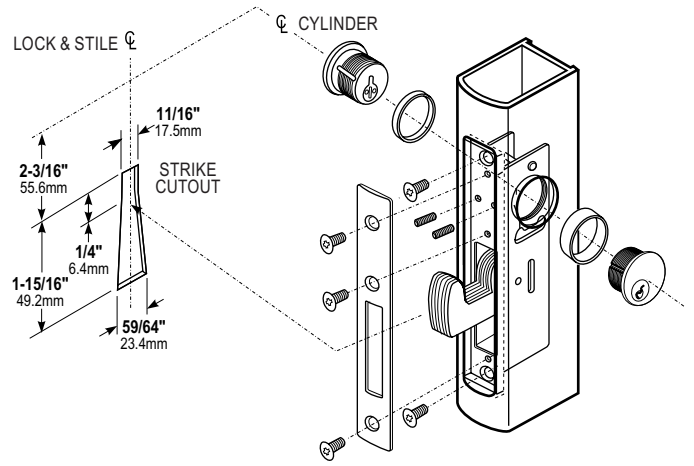
ARMORED FACEPLATE
1" X 6-7/8"

FLAT MS1850S-050
RADIUS MS1851S-050
RADIUS W/ WEATHERSTRIP MS1851SW-050
LH BEVEL MS1852S-055
RH BEVEL MS1852S-056

Stile Preparation



Lock & Cylinder Installation



HOW TO ORDER MS1850S-050 SERIES MS® DEADLOCK

Specify quantity and the following information. Order related products separately.

PRODUCT NO.	FACEPLATE	BACKSET	HANDING	FINISH
MS185	OS	-2	50	-628
	0S Flat	1 7/8"	55 LH or RHR	313 Dark Bronze Anodized
	1S Radius	2 31/32"	56 RH or LHR	335 Black Anodized
	1SW Radius with weatherstrip	3 1-1/8"	50 Non-Handed*	628 Clear Anodized
	2S Bevel	4 1-1/2"		

*Any flat or radius faceplate.

RELATED PRODUCTS

When purchasing this product, please consider the following related products, available separately:

Accessories

- 4015 Threshold Bolt or 4016 Header Bolt for multi-point locking.
- 4085 Header Bolt for pairs of doors.
- Deadlock Strikes.
- Lock mounting accessories and options.

Cylinders

MS1850S-050 Deadlocks are operable by any standard 1-5/32" diameter mortise cylinder with MS® cam.

Trim

- Deadlock lever trim and keyless entry trim.
- Exit indicators.

Special Order Options

Schoolhouse function available as special order.

MS1850SN MS® Series Deadlock (ANSI Size)



HOLLOW
METAL



WOOD

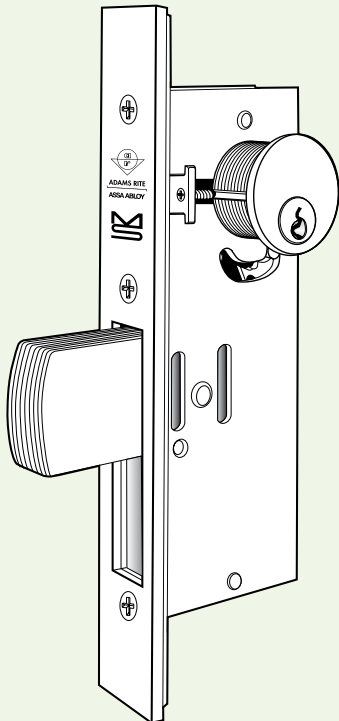


GRADE 1
E8211

The ANSI size MS1850SN Deadlock utilizes a laminated stainless steel bolt, activated by a pivot mechanism to provide maximum security for hollow metal or wood doors.

Function

For hollow metal or wood doors prepared for hardware according to the specifications of the American National Standards Institute (ANSI), the MS1850SN Deadlock provides maximum security and ease of installation. Its standard 1-1/2" backset dimension provides adequate clearance for the deep stop on the door jamb of hollow metal entrances.



Operation

360° turn of key or thumbturn throws or retracts the counterbalanced bolt. Key can be removed only when bolt is in a positively locked or unlocked position. Lock accepts any standard 1-5/32" diameter mortise cylinder from either or both sides. Cylinder must have MS® dimensioned cam.

Specifications

CYLINDER BACKSET

- 1-1/2" only.

CASE

- Steel with corrosion-resistant plating, measures 1" x 6" x 2-1/4".

BOLT

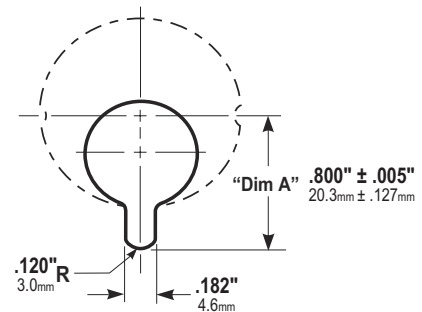
- 5/8" x 1-3/8" x 2-7/8" with 1-3/8" throw. Eight-ply laminated stainless steel. Center ply has alumina-ceramic core to defeat any hacksaw attack, including rod-type "super" hacksaws.

STRIKE

- Available in lipped, ANSI-spec version in steel with chrome finish. See back of page for dimensions of strike slot which can be cut in metal jamb. Other strikes are available separately.

CYLINDER CAM

- MS1850SN Deadlocks are operable by any standard 1-5/32" diameter mortise cylinder with MS® cam dimensioned as shown. Cylinders with MS® cams can be readily obtained from most cylinder manufacturers. See CYLINDERS section for cylinder make, thumbturn and trim ring information.



OPTIONS

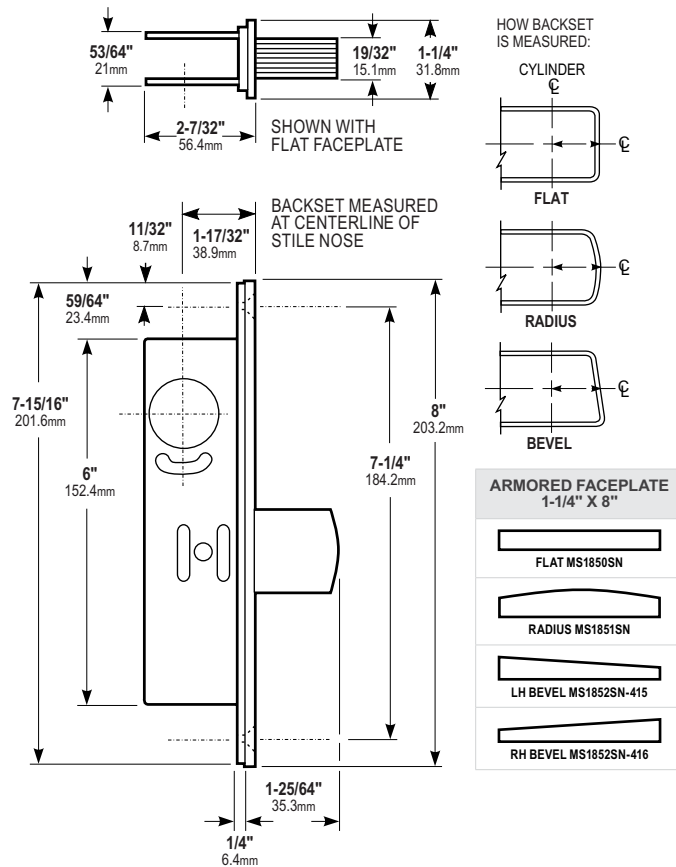
- Second and third point locking bolts are available for pairs of steel doors. Shorter "hookbolt" version also available. All use any make standard mortise cylinder and thus can be keyed into systems with other types of doors. "SCHOOLHOUSE" version, also available, is modified so that operation from inside is "unlock only". This lock is handed and must be specified LH or RH. Specify Series SCH1850SN. Same faceplate and backset options as Series MS1850SN. Operation from inside, with standard Adams Rite 4066 Turn.

STANDARD PACKAGE

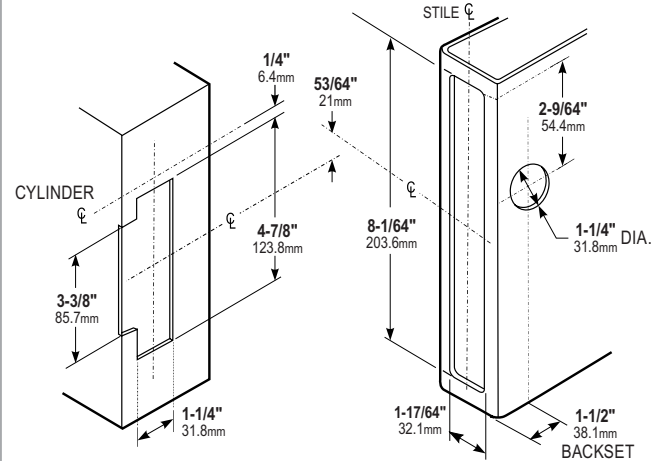
- Individually boxed with machine screws for mounting. Cylinders and/or thumbturns available separately. Shipping weight: 1-1/2 lbs.

All measurements are approximate and are provided for informational purposes only. Refer to the product Installation Instructions.

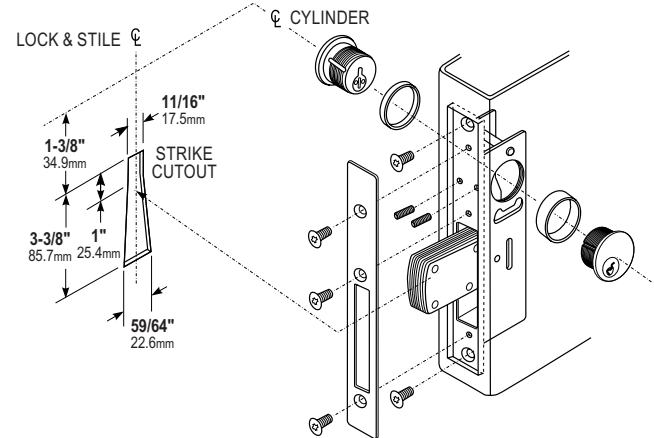
Dimensions



Jamb & Stile Preparation FOR 4003-01 ANSI STRIKE



Lock & Cylinder Installation



HOW TO ORDER MS1850SN DEADLOCK

Specify quantity and the following information. Order related products separately.

PRODUCT NO.	FACEPLATE	ANSI SIZE	HANDING	FINISH
MS185	0	SN	-410	-628
	0 Flat		415 LH or RHR	313 Dark Bronze Anodized
	1 Radius		416 RH or LHR	335 Black Anodized
	2 Bevel		410 Non-Handed*	628 Clear Anodized

*Any flat or radius faceplate, except Schoolhouse.

If ANSI strike required, specify 4003ANSI and finish: 626 or 605 (see ACCESSORIES).

RELATED PRODUCTS When purchasing this product, please consider the following related products, available separately:

Accessories

4015 Threshold Bolt or 4016 Header Bolt for multi-point locking.

4085 Header Bolt for hollow metal pairs of doors. 4085 Header Bolt not recommended for wood applications.

Deadlock strikes.

Lock mounting accessories and options.

Cylinders

MS1850SN Deadlocks are operable by any standard 1-5/32" diameter mortise cylinder with MS® cam.

Trim

Deadlock lever trim & keyless entry trim.

Special Order Options

Schoolhouse function available as special order.

MS1850SN-050 MS® Deadlock (ANSI Size)



HOLLOW
METAL



WOOD

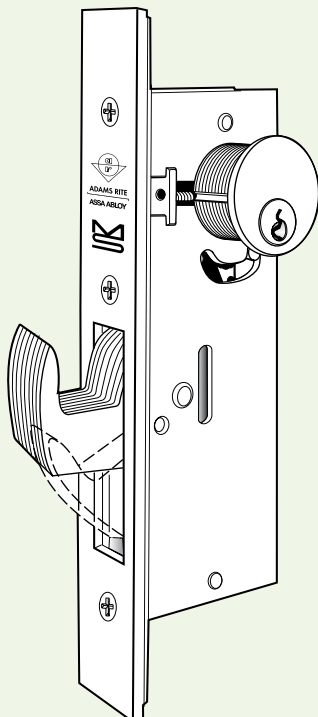


GRADE 1
E8281/E8291

The ANSI size MS1850SN-050 Deadlock utilizes a laminated stainless steel hookbolt, activated by a pivot mechanism to provide maximum security for wood or hollow metal doors.

Function

For hollow metal or wood sliding doors prepared for hardware according to the specifications of the American National Standards Institute (ANSI), this MS deadlock provides maximum security and ease of installation. Its standard 1-1/2" backset dimension provides adequate clearance for the deep jamb "pocket" of many commercial and industrial entrances. Also useful for swinging doors closing against jambs too shallow for the 1-3/8" throw of the MS1850SN swinging door deadlock.



Operation

360° turn of key or thumbturn throws or retracts the counterbalanced bolt. Key can be removed only when bolt is in a positively locked or unlocked position. Lock accepts any standard 1-5/32" diameter mortise cylinder or thumbturn from either or both sides. Cylinder must have MS® dimensioned cam.

Specifications

CYLINDER BACKSET

- 1-1/2" only.

CASE

- Steel with corrosion-resistant plating, measures 1" x 6" x 2-1/4".

BOLT

- 5/8" x 1-3/8" with 13/16" throw. Eight-ply laminated stainless steel. Center ply has alumina-ceramic core to defeat any hacksaw attack, including rod-type "super" hacksaws, while hook shape repels pry bar attempts to "spread" the door from its jamb or lift it off its track.

FACEPLATE

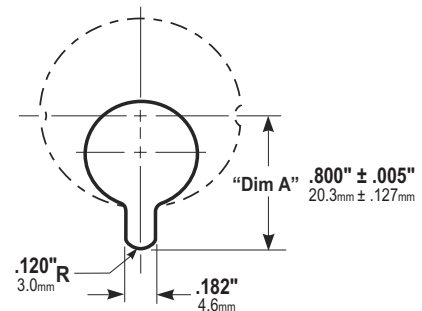
- Measures 1-1/4" x 8".

STRIKE

- See back of page for dimensions of strike slot which can be cut in metal jamb. Trim plate, box strike, and armored strike are also available.

CYLINDER CAM

- MS1850SN-050 Deadlocks are operable by any standard 1-5/32" diameter mortise cylinder with MS® cam dimensioned as shown. Cylinders with MS® cams can be readily obtained from most cylinder manufacturers. See CYLINDERS section for cylinder make, thumbturn and trim ring information.



OPTIONS

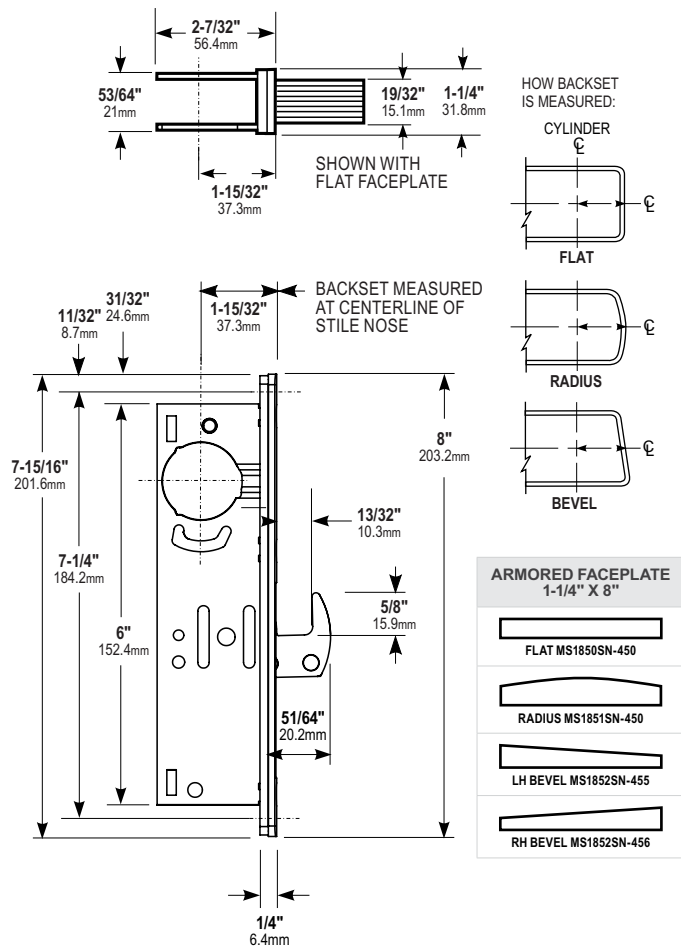
- Cylinder backset and faceplate finish and shape (radiused, flat or bevel cross-section to match door nose) must be specified. "SCHOOLHOUSE" version, also available, is modified so that operation from inside is "unlock only". This lock is handed and must be specified LH or RH. Specify Series SCH1850SN-050. Same faceplate and backset options as Series MS1850SN-050. Operation from inside, with standard Adams Rite 4066 Turn.

STANDARD PACKAGE

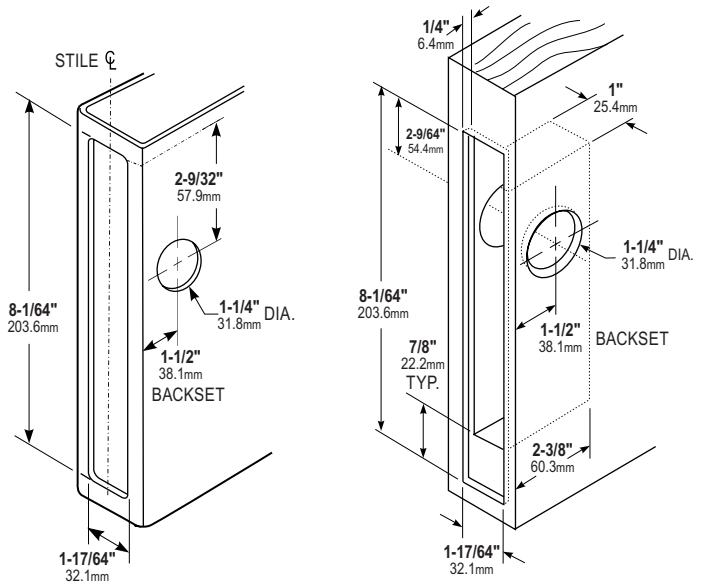
- Individually boxed with machine screws for mounting. Cylinders and/or thumbturns available separately. Shipping weight: 1-1/2 lbs.

All measurements are approximate and are provided for informational purposes only. Refer to the product Installation Instructions.

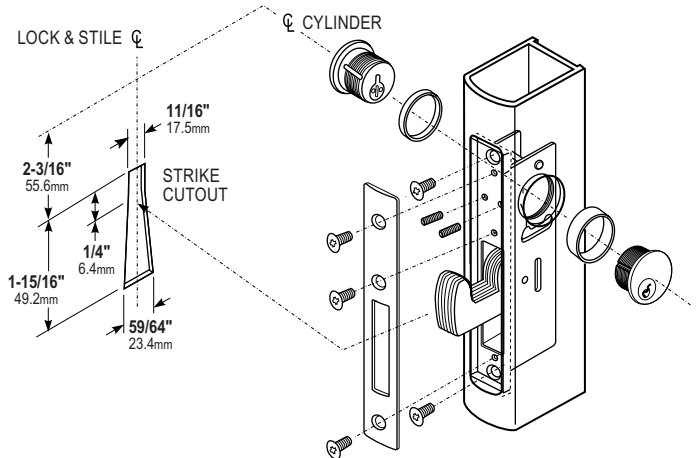
Dimensions



Stile & Wood Door Preparation



Lock & Cylinder Installation



HOW TO ORDER MS1850SN-050 MS® DEADLOCK (ANSI SIZE)

Specify quantity and the following information. Order related products separately.

PRODUCT NO.	FACEPLATE	ANSI SIZE	HANDING	FINISH
MS185	0	SN	-450	-628
	0 Flat		455 LH or RHR	313 Dark Bronze Anodized
	1 Radius		456 RH or LHR	335 Black Anodized
	2 Bevel		450 Non-Handed*	628 Clear Anodized

*Any flat or radius faceplate.

RELATED PRODUCTS When purchasing this product, please consider the following related products, available separately:

Accessories

4015 Threshold Bolt or 4016 Header Bolt for multi-point locking.

4085 Header Bolt for hollow metal pairs of doors. 4085 Header Bolt not recommended for wood applications.

Deadlock strikes.

Cylinders

MS1850SN-050 Deadlocks are operable by any standard 1-5/32" diameter mortise cylinder with MS® cam.

Trim

Deadlock lever trim & keyless entry trim.

Special Order Options

Schoolhouse function available as special order.

MS1861 Series Bottom Rail Deadbolt



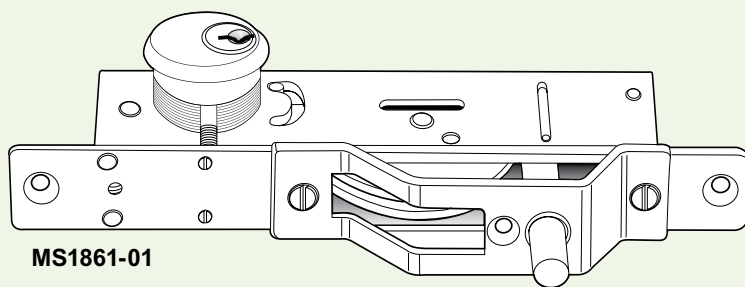
FULL GLASS

GRADE 1
E8211

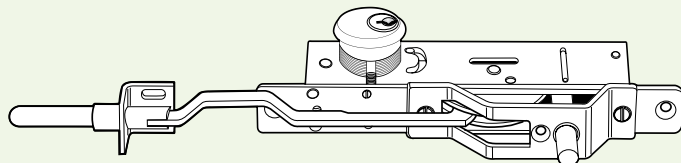
The MS1861 Bottom Rail Deadbolt provides maximum security with MS deadbolt over-center/pivot locking mechanism. It utilizes hardened steel bolts for the limited space of ultra-narrow stile doors.

Function

Using the same over-center/pivot locking mechanism as the basic MS® deadbolt, the MS1861 lies horizontally in the bottom rail of ultra-narrow stile doors which have insufficient vertical space for a lock, and tempered glass doors which have no stile at all. The hardened steel cylindrical bolts allow simple drilled strike holes of a relatively small size to minimize the nuisance and danger presented by some threshold strikes in collecting debris or snagging on high-heeled shoes. MS1861-02 locks either single-leaf or pairs of doors. Not recommended for wood doors.



MS1861-01



MS1861-02

Operation

360° turn of key or thumbturn throws or retracts bolt(s). Key can be removed only when bolts are in a positively locked or unlocked position. Lock accepts any standard 1-5/32" diameter mortise cylinder from either or both sides. Cylinder must have MS® dimensioned cam.

Specifications

CYLINDER BACKSET

- Minimum backset is approximately 2-1/4" for the MS1861-01 with vertical bolt only. The MS1861-02 with vertical and horizontal bolts requires placement of cylinder centerline 5-3/4" from nose of door. Both have cylinder center 1-7/8" above bottom edge of door.

CASE

- Steel with corrosion-resistant plate, measures 1" x 6" x 1-13/16".

BOLTS

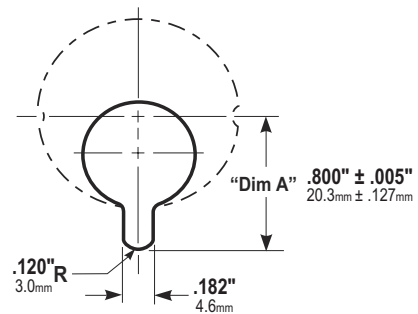
- 3/8" diameter. Stainless steel vertical threshold bolt has 13/16" throw. Hardened steel horizontal bolt has 1-1/8" throw.

STRIKES

- In metal installation, 7/16" drilled holes in threshold are required. For MS1861-02, drilled holes are also required in jamb or opposite door. For wood, metal plate with 7/16" hole must be provided for each bolt.

CYLINDER CAM

- MS1861 Bottom Rail Deadbolts are operable by any standard 1-5/32" diameter mortise cylinder with MS® cam dimensioned as shown. Cylinders with MS® cams can be readily obtained from most cylinder manufacturers. See CYLINDERS section for cylinder make, thumbturn and trim ring information.

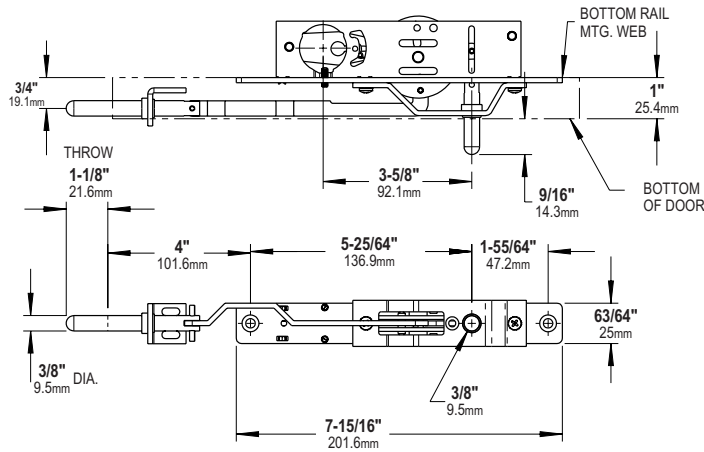


STANDARD PACKAGE

- Individually boxed with mounting screws. Cylinders and/or thumbturns available separately. Shipping weight: MS1861-01: 1-3/4 lbs., MS1861-02: 2 lbs.

All measurements are approximate and are provided for informational purposes only. Refer to the product Installation Instructions.

Dimensions



UNIT ILLUSTRATED IS MS1861-02. (BOTH HORIZONTAL & VERTICAL BOLTS INCLUDED.) PART NUMBER FOR VERTICAL BOLT OPERATION ONLY IS MS1861-01. CONVERSION KIT NO. 4014 AVAILABLE TO CONVERT MS1861-01 TO MS1861-02. SEE BELOW:

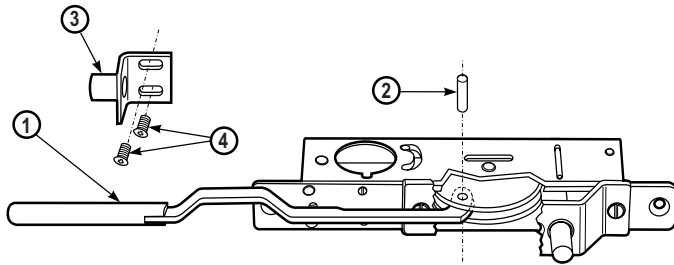
4014 Conversion Kit

To convert MS1861-01 to MS1861-02, 4014 Conversion Kit provides horizontal bolt assembly with guide and attachment fittings.

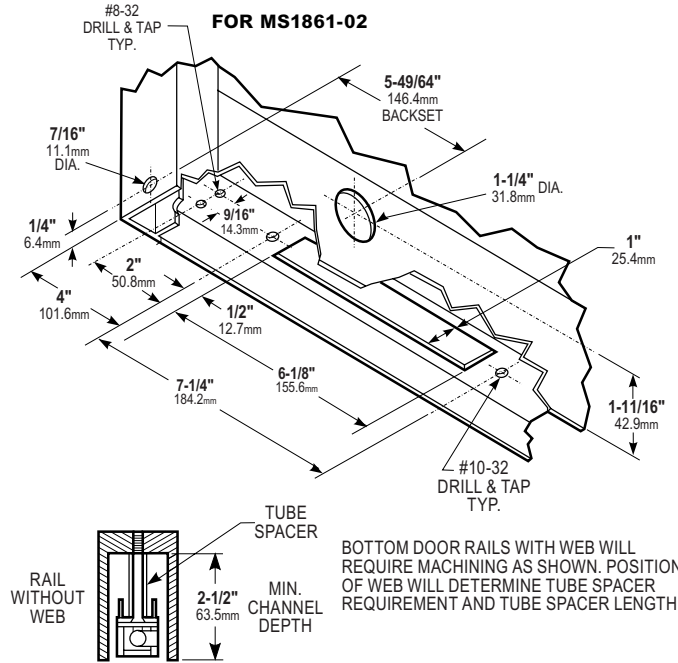
The 4014 Conversion Kit consists of:

- ① Arm & Bolt Assembly
- ② Assembly Pin
- ③ Bolt Guide Bracket
- ④ Mounting Screws

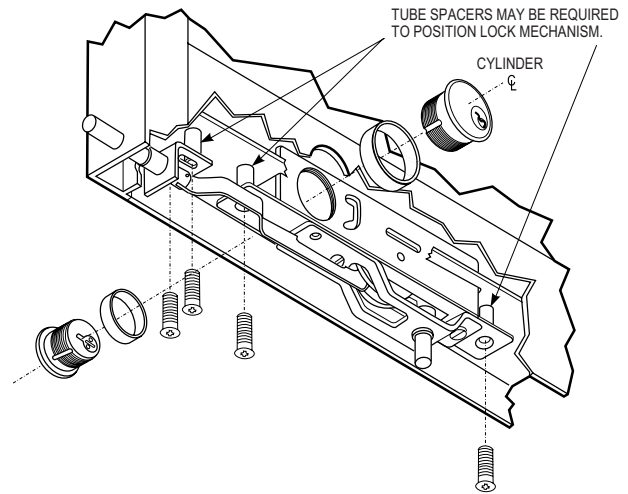
To assemble, press pin through disc and arm.



Rail Preparation



Lock & Cylinder Installation



HOW TO ORDER MS1861 SERIES BOTTOM RAIL DEADBOLT

Specify quantity and the following information. Order related products separately.

PRODUCT NO.	BOLT OPERATION	FINISH	PACKAGING
MS1861	-01	-603	-IB
	01 Vertical Bolt Only	603 Zinc plated steel	IB Individually Boxed
	02 Vertical and Horizontal Bolts		

If tube spacers are required, specify QUANTITY and LENGTH.

RELATED PRODUCTS When purchasing this product, please consider the following related products, available separately:

Accessories

4014 Conversion Kit for multi-point locking applications or it can be ordered with vertical and horizontal bolts (Bolt Operation option 2).

Cylinders

MS1861 Bottom Rail Deadbolts are operable by any standard 1-5/32" diameter mortise cylinder with MS® cam.

1875 Two-Point Deadlock



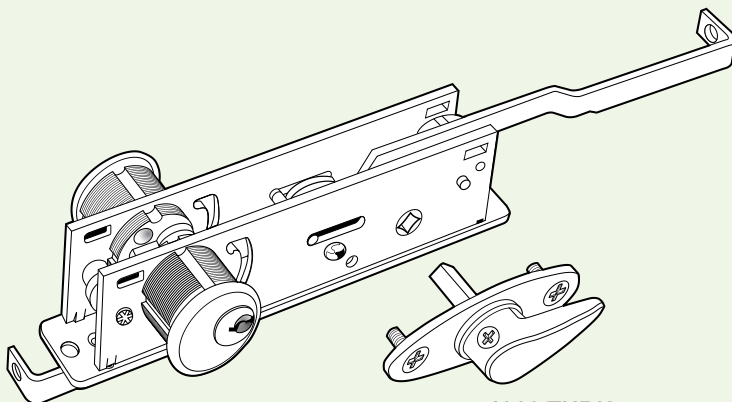
ROLL-UP DOOR

GRADE 2
E86182

The 1875 Two-Point Deadlock provides security for roll-up doors, security screens, or similar doors. Two bolts are operational from either or both sides of the deadlock.

Function

For overhead "garage" doors, roll-up security screens, or similar doors. Provides turn operation of two bolts from either or both sides. Accepts standard mortise cylinders for key control of bolts to secure them in either projected or retracted position.



4060 TURN

Operation

90° rotation of turn throws or retracts bolts. 360° turn of key deadlocks mechanism, preventing operation of the turn in either locked or unlocked position.

Specifications

CYLINDER BACKSET

- Bolt arms require inside stile clearance of 1-11/16" on one side of cylinder center, 1" on the other.

CASE

- Steel with corrosion-resistant plate, measures 1" x 6" x 2-5/8".

BOLT ARMS

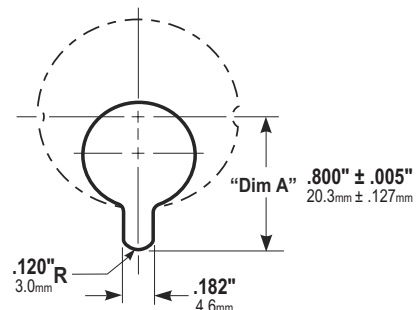
- 1-1/32" throw. Threaded for 1/4" – 20 rods. Because of design variations in this type of door, no standard bolt can be offered to fit all makes of doors. Contact the Adams Rite factory concerning bolts, rods, bolt guides, and strikes to fit individual door designs.

4060 TURN

- Zinc alloy escutcheon and handle. Finish is US26D. Steel spindle is also available to accommodate various door thicknesses.

CYLINDER CAM

- 1875 Two-Point Deadlocks are operable by any standard 1-5/32" diameter mortise cylinder with MS® cam dimensioned as shown. Cylinders with MS® cams can be readily obtained from most cylinder manufacturers. See CYLINDERS section for cylinder make, thumbturn and trim ring information.



OPTIONS

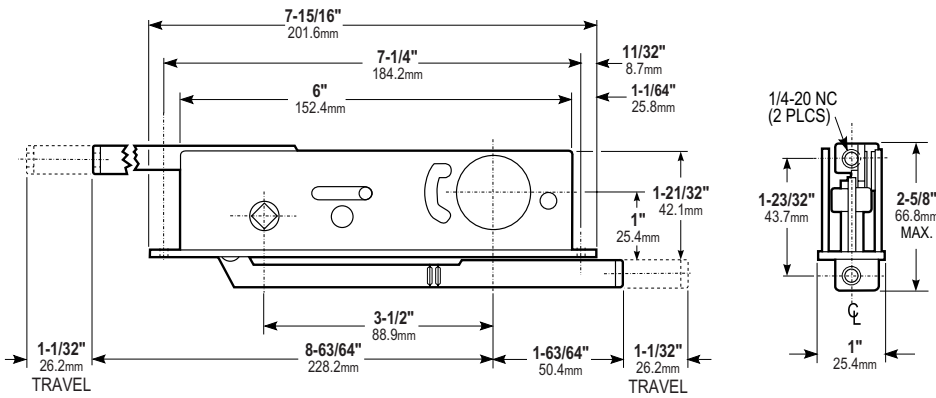
- 4060 Turn shown is available with choice of spindle lengths. Bolts, connecting rods, bolt guides, and strikes are available by special order. Cylinders also available separately.

STANDARD PACKAGE

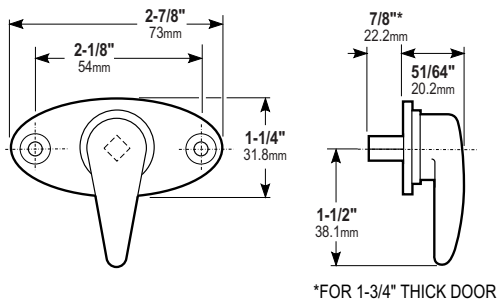
- Shipping weight: 1-1/2 lbs.

All measurements are approximate and are provided for informational purposes only. Refer to the product Installation Instructions.

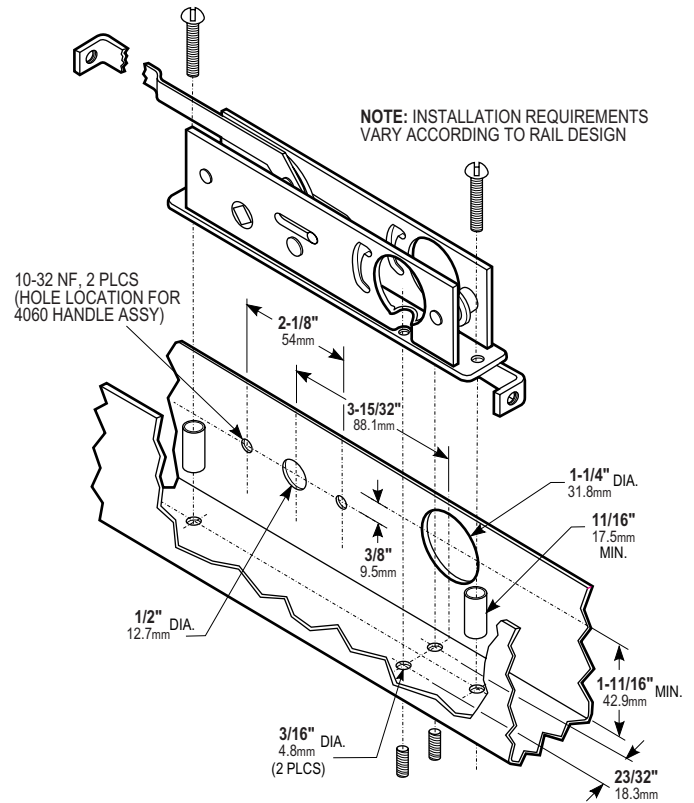
Dimensions



4060 Turn



Installation



HOW TO ORDER 1875 TWO-POINT DEADLOCK

Specify quantity and the following information. Order related products separately.

PRODUCT NO.	PACKAGING
1875	-IB
	IB Individually Boxed

RELATED PRODUCTS When purchasing this product, please consider the following related products, available separately:

Accessories

- 4060 turn.
- Cylinder guards.

Cylinders

1875 Two-Point Deadlocks are operable by any standard 1-5/32" diameter mortise cylinder with MS® cam.

Special Order Options

Bolts, connecting rods, bolt guides and strikes are by special order only.

MS+1890 Series MS® Deadlock/Deadlatch



ALUMINUM

GRADE 1
E82101

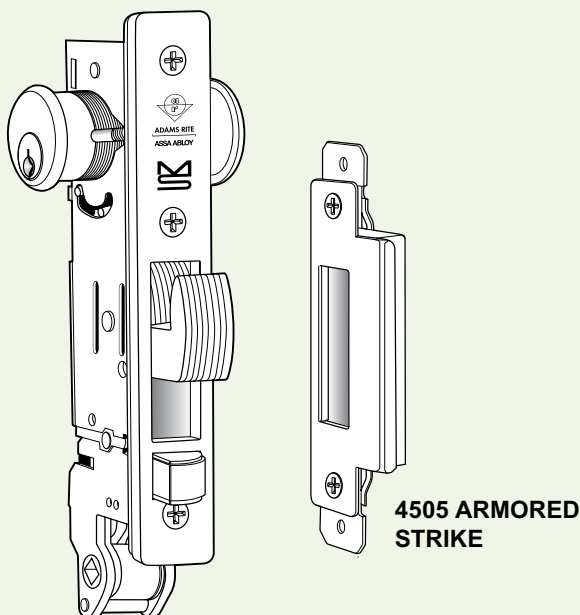
The MS+1890 Deadlock/Latch provides a maximum security deadlock for after hour and traffic control convenience during business hours.

Function

Maximum Security deadlock after hours, plus traffic control convenience for management during the business day. Typical installation is a bank or store requiring three modes of door control: 1. Both lock and latch bolts retracted for unrestricted entry and exit during business hours, 2. Handle-operated latch for exit-only traffic just after closing and 3. Maximum Security hookbolt for overnight lockup. NOTE: Handle or paddle operates latchbolt only.

Operation

360° turn of key or thumbturn throws or retracts the hook-shaped deadlock. 120° further turn retracts latch bolt as well. Cylinder may be any make standard 1-5/32" diameter mortise type with MS® dimensioned cam (see CYLINDERS). Handle retracts spring-loaded latchbolt only.



4505 ARMORED
STRIKE

Specifications

CYLINDER BACKSET

- 31/32", 1-1/8", or 1-1/2".

CASE

- Steel with corrosion-resistant plating, measures 1" x 7-3/8" x depth. Depth varies by backset (see table on back of page).

LATCHBOLT

- Zinc alloy with Delrin face for smooth, quiet action, measures 5/8" x 5/8" with 7/16" throw. Handing easily reversible. Bolt can be held fully retracted to allow door to be free swinging (see illustration on back of page).

LOCKBOLT

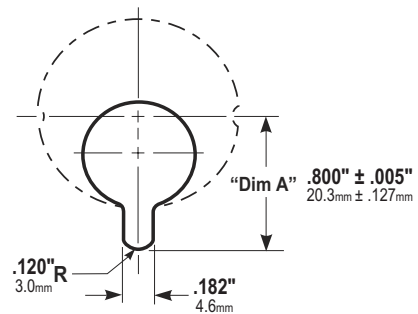
- 5/8" x 1-3/8" with 13/16" throw. Eight-ply laminated stainless steel. Center ply has alumina-ceramic core to defeat any hacksaw attack, including rod-type "super" hacksaws, while hook shape repels pry bar attempts to "spread" the door from its jamb or lift it off its track.

ARMORED STRIKE

- Satin stainless steel trimplate with steel mounting plate and dust box. Flat strike furnished. Also available for pairs of doors in radius shape, or flat with square corners for ANSI hollow metal jambs. Flat strikes also available with longer lip. MS+1890 Deadlock/Latch cannot be used with electric strikes.

CYLINDER CAM

- MS+1890 Series locks are operable by any standard 1-5/32" diameter mortise cylinder with MS® cam dimensioned as shown. Cylinders with MS® cams can be readily obtained from most cylinder manufacturers. See CYLINDERS section for cylinder make, thumbturn and trim ring information.



OPTIONS

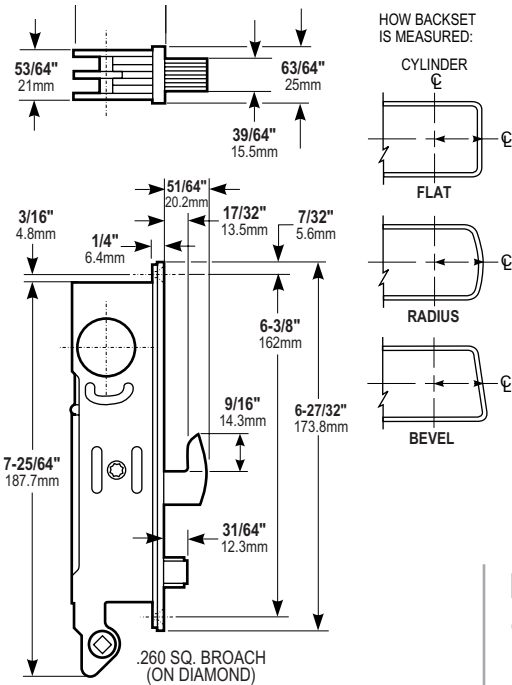
- Order handle/paddle for one side only or both sides. Handles/paddles on both sides solve, with minimum traffic impediment, the problem of doors that stand ajar due to wind or air-conditioning pressures.

STANDARD PACKAGE

- Individually boxed with strike and machine screws for mounting. Cylinders available separately. Shipping weight: 2 lbs.

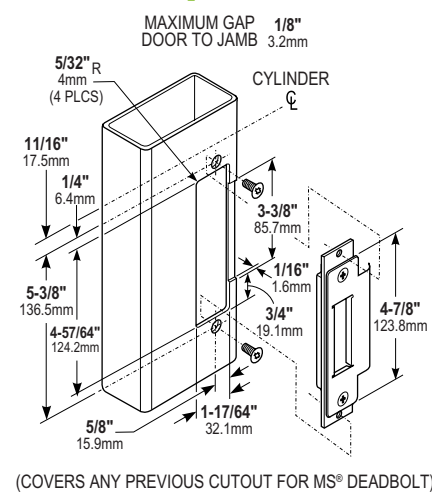
All measurements are approximate and are provided for informational purposes only. Refer to the product Installation Instructions.

Dimensions



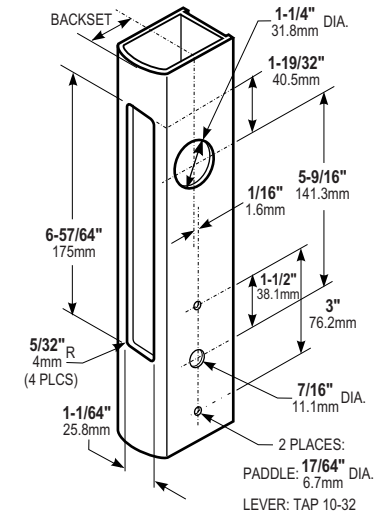
BACKSET	"A"	ARMORED FACEPLATE 1" X 6-7/8"
31/32" 24.6mm	1-5/8" 41.3mm	FLAT MS+1890
1-1/8" 28.6mm	1-25/32" 45.2mm	RADIUS MS+1891
1-1/2" 38.1mm	2-1/4" 57.2mm	RADIUS W/ WEATHERSTRIP MS+1891W
		LH BEVEL MS+1892 (LH)
		RH BEVEL MS+1892 (RH)

Jamb Preparation

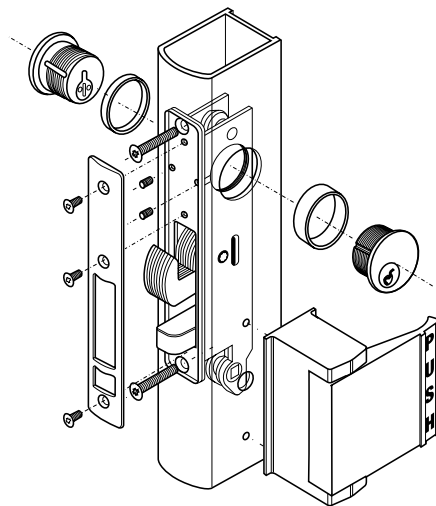


Stile Preparation

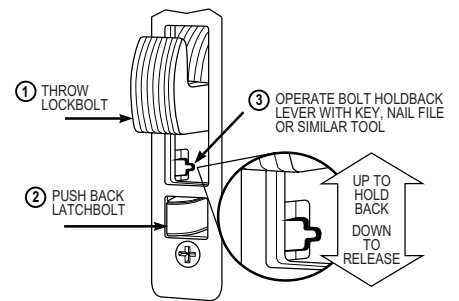
Cutout same as MS1850 Deadbolt plus holes for handle mount.



Latch/Lock, Cylinder & Paddle Installation



Latch Holdback Instructions



HOW TO ORDER MS+1890 SERIES MS® DEADLOCK/DEADLATCH

Specify quantity and the following information. Order related products separately.

PRODUCT NO.	FACEPLATE	BACKSET	STRIKE SHAPE/LIP LENGTH	HANDING	FINISH
MS+189	1	-3	02	6	-628
	0 Flat	2 31/32"	01 Flat/Standard Jamb	5 LH or RHR	313 Dark Bronze Anodized
	1 Radius	3 1-1/8"	02 Radius/Standard Stile	6 RH or LHR	335 Black Anodized
	1W Radius with weatherstrip	4 1-1/2"	17 Flat/Center Hung 4" Jamb		628 Clear Anodized
	2 Bevel		21 Flat/Center Hung 4-1/2" Jamb		
			XX Other Lip Lengths		

For door thickness other than 1-3/4", contact factory.

RELATED PRODUCTS When purchasing this product, please consider the following related products, available separately:

Accessories

Trim strikes, including 4505 armored strike.

Cylinders

MS+1890 Deadlock/Latch is operable by any standard 1-5/32" diameter mortise cylinder with MS® cam.

Trim

4568, 4569 Lever trim and 4591 paddles. Electrified trim/operators are not available for the MS+1890.

MS1950 Series Deadlock



ALUMINUM

GRADE 1
ES2H

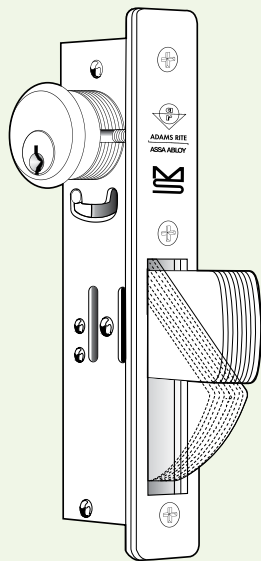
The stainless steel MS1950 Deadlock utilizes a laminated stainless steel bolt, activated by a pivot mechanism to provide maximum security for a single leaf narrow stile door.

Function

A huge bolt of laminated stainless steel, nearly three inches long, activated by an uncomplicated pivot mechanism, has made this basic MS® Deadlock the standard of the narrow stile door industry. The length of this bolt provides maximum security for a single leaf door, even a very tall and flexible one or an installation where the gap between the door and jamb is greater than it should be.

Operation

360° turn of key or thumbturn throws or retracts the counterbalanced bolt. Key can be removed only when bolt is in a positively locked or unlocked position. Lock accepts any standard 1-5/32" diameter mortise cylinder or thumbturn from either or both sides. Cylinder must have MS® dimensioned cam.



Specifications

CYLINDER BACKSET

- 31/32", 1-1/8", or 1-1/2" only.

CASE

- Fully stainless steel case and internal components, measures 1" x 6" x depth. Depth varies by backset (see table on back of page).

BOLT

- 5/8" x 1-3/8" x 2-7/8" with 1-3/8" throw. Eight-ply laminated stainless steel. Center ply has alumina-ceramic core to defeat any hacksaw attack, including rod-type "super" hacksaws.

FACEPLATE

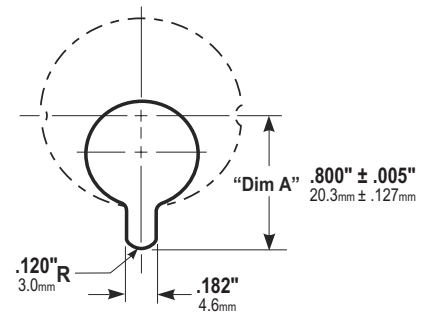
- Measures 1" x 6-7/8".

STRIKE

- See back page for dimensions of strike slot which can be cut in metal jamb. Trim plate, box strike, and armored strike are available separately.

CYLINDER CAM

- MS1950 Deadlocks are operable by any standard 1-5/32" diameter mortise cylinder with MS® cam dimensioned as shown. Cylinders with MS® cams can be readily obtained from most cylinder manufacturers. See CYLINDERS section for cylinder make, thumbturn and trim ring information.



OPTIONS

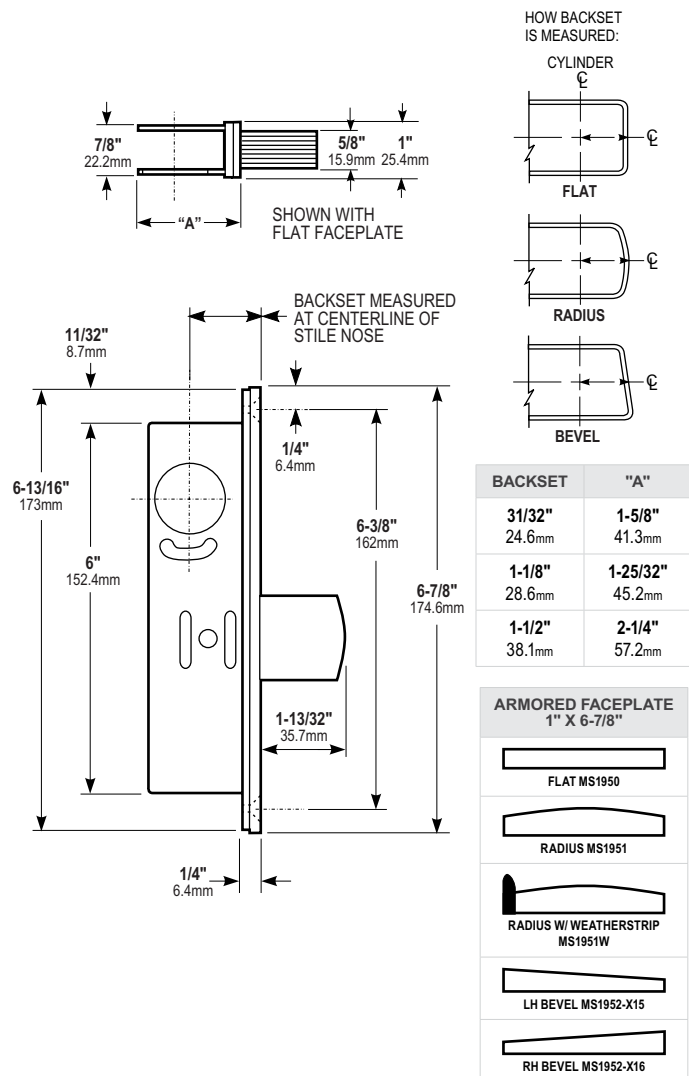
- For jambs too narrow to accept the long bolt, the MS1950-050 offers a shorter bolt with hook shape to provide equal security against door-prying attempts. Second and third point locking bolts are available for pairs of doors. All use any make mortise cylinder and thus can be keyed into systems with other types of doors. "SCHOOLHOUSE" version, also available, is modified so that operation from inside is "unlock only". This lock is handed and must be specified LH or RH. Specify Series SCH1950. Same faceplate and backset options as Series MS1950. Operation from inside, with standard Adams Rite 4066 Thumbturn or with 4550 Deadlock Lever.

STANDARD PACKAGE

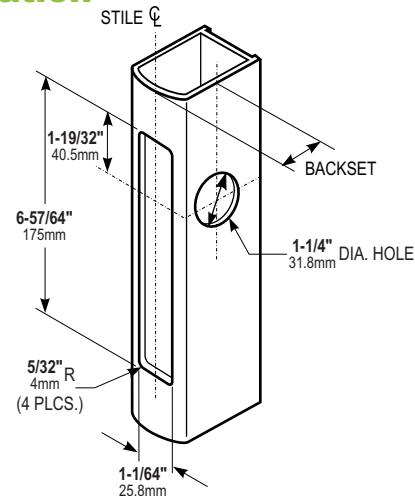
- Individually boxed with machine screws for mounting. Cylinders and/or thumbturns available separately. Shipping weight: 1-1/2 lbs.

All measurements are approximate and are provided for informational purposes only. Refer to the product Installation Instructions.

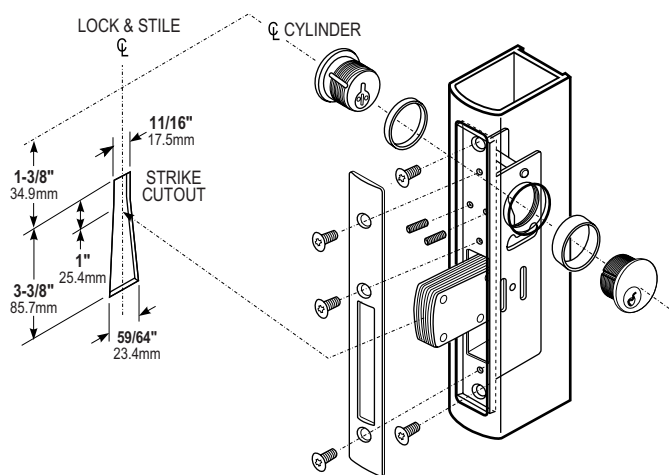
Dimensions



Stile Preparation



Lock & Cylinder Installation



HOW TO ORDER MS1950 SERIES DEADLOCK

Specify quantity and the following information. Order related products separately.

PRODUCT NO.	FACEPLATE	BACKSET	HANDING	FINISH
MS195	0	-2	10	-628
	0 Flat	2 31/32"	15 LH or RHR	313 Dark Bronze Anodized
	1 Radius	3 1-1/8"	16 RH or LHR	335 Black Anodized
	1W Radius with weatherstrip	4 1-1/2"	10 Non-Handed*	628 Clear Anodized
	2 Bevel			

*Any flat or radius faceplate.

RELATED PRODUCTS When purchasing this product, please consider the following related products, available separately:

Accessories

4015 Threshold Bolt or 4016 Header Bolt for multi-point locking.

4085 Header Bolt for pairs of doors.

4000, 4001, MS4002 Deadlock Strikes.

Lock mounting accessories and options.

Cylinders

MS1950 Deadlocks are operable by any standard 1-5/32" diameter mortise cylinder with MS® cam.

Trim

Deadlock lever trim and keyless entry trim.

Exit indicators.

Special Order Options

Schoolhouse function available as special order.

MS1950-050 Series Deadlock



ALUMINUM

GRADE 1
E8281/E8291

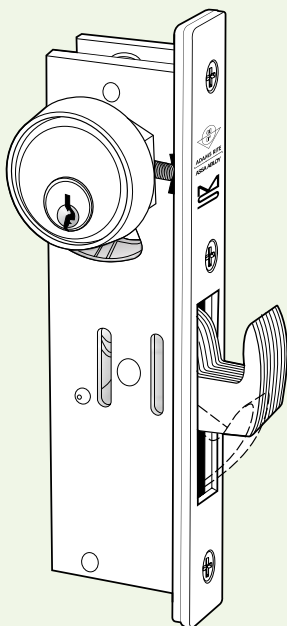
The stainless steel MS1950-050 Deadlock utilizes a laminated stainless steel hookbolt, activated by a pivot mechanism to provide maximum security for a single leaf narrow stile door.

Function

The MS1950-050 Deadlock answers the security need of sliding doors in commercial, industrial, and institutional buildings. The mechanism is identical to the widely used Maximum Security swinging door lock, except that the massive laminated bolt is provided in a hook shape to resist the parting motion of sliding door and jamb. The over-center MS locking action assures that forced entry attempts to pry the door in any direction, up, down, or sideways, will be defeated.

Operation

360° turn of key or thumbturn throws or retracts the counterbalanced bolt. Key can be removed only when bolt is in a positively locked or unlocked position. Lock accepts any standard 1-5/32" diameter mortise cylinder or thumbturn from either or both sides. Cylinder must have MS® dimensioned cam.



Specifications

CYLINDER BACKSET

- 31/32", 1-1/8", or 1-1/2" only.

CASE

- Fully stainless steel case and internal components, measures 1" x 6" x depth. Depth varies by backset (see table on back of page).

BOLT

- 5/8" x 1-3/8" with 13/16" throw. Eight-ply laminated stainless steel. Center ply has alumina-ceramic core to defeat any hacksaw attack, including rod-type "super" hacksaws, while hook shape repels pry bar attempts to "spread" the door from its jamb or lift it off its track.

FACEPLATE

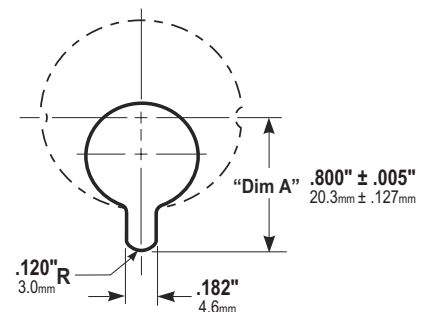
- Measures 1" x 6-7/8".

STRIKE

- See back page for dimensions of strike slot which can be cut in metal jamb. Trim plate, box strike, and armored strike are available separately.

CYLINDER CAM

- MS1950-050 Deadlocks are operable by any standard 1-5/32" diameter mortise cylinder with MS® cam dimensioned as shown. Cylinders with MS® cams can be readily obtained from most cylinder manufacturers. See CYLINDERS section for cylinder make, thumbturn and trim ring information.



OPTIONS

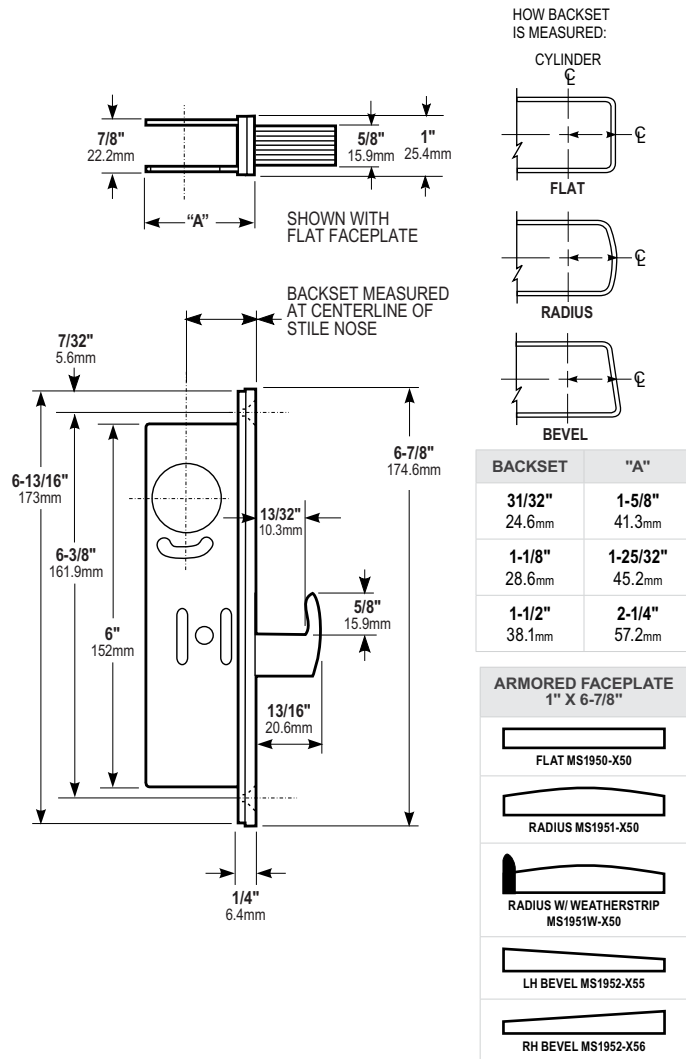
- Cylinder backset and faceplate finish and shape (radiused, flat or bevel cross-section to match door nose) must be specified. "SCHOOLHOUSE" version, also available, is modified so that operation from inside is "unlock only". This lock is handed and must be specified LH or RH. Specify Series SCH1950-050. Same faceplate and backset options as Series MS1950-050. Operation from inside, with standard Adams Rite 4066 Turn or with 4550 Deadlock Lever. For wood or hollow metal, see MS1850SN.

STANDARD PACKAGE

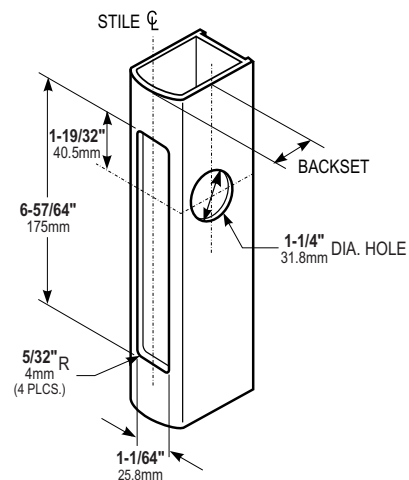
- Individually boxed with machine screws for mounting. Cylinders and/or thumbturns available separately. Shipping weight: 1-1/2 lbs.

All measurements are approximate and are provided for informational purposes only. Refer to the product Installation Instructions.

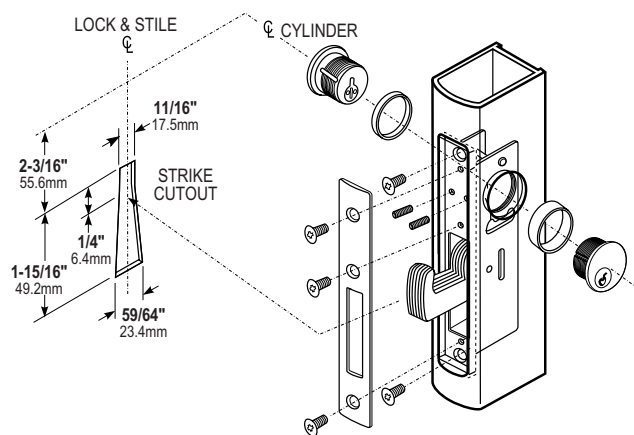
Dimensions



Stile Preparation



Lock & Cylinder Installation



HOW TO ORDER MS1950-050 SERIES DEADLOCK

Specify quantity and the following information. Order related products separately.

PRODUCT NO.	FACEPLATE	BACKSET	HANDING	FINISH
MS195	0	-2	10	-628
	0 Flat	2 31/32"	15 LH or RHR	313 Dark Bronze Anodized
	1 Radius	3 1-1/8"	16 RH or LHR	335 Black Anodized
	1W Radius with weatherstrip	4 1-1/2"	10 Non-Handed*	628 Clear Anodized
	2 Bevel			

*Any flat or radius faceplate.

RELATED PRODUCTS When purchasing this product, please consider the following related products, available separately:

Accessories

4015 Threshold Bolt or 4016 Header Bolt for multi-point locking.

4085 Header Bolt for pairs of doors.

4000, 4001, MS4002 Deadlock Strikes.

Lock mounting accessories and options.

Cylinders

MS1950-050 Deadlocks are operable by any standard 1-5/32" diameter mortise cylinder with MS® cam.

Trim

Deadlock lever trim and keyless entry trim.

Exit indicators.

Special Order Options

Schoolhouse function available as special order.

Dual Force® 2190 Interconnected Deadbolt/Deadlatch



The Dual Force 2190 Interconnected Deadbolt/Deadlatch provides access control and security for aluminum stile doors. Latch and deadbolt capabilities are combined for fast, easy, and panic-proof exiting.

Function

The Dual Force 2190 combines the access control capabilities of a latch with the security of a deadbolt. The key retracts and extends the deadbolt (and deadlatch) from either side. The exterior lever retracts the latch only, while the inside lever retracts the deadbolt and latch simultaneously for fast, easy, panic-proof exiting. Intended for out-swinging doors.

Operation

Key or thumbturn retracts or extends deadbolt or deadlatch. Inside lever retracts both when configured with interconnect feature. Outside lever retracts latch only. Latch holdback feature activated or deactivated by turning key to retract latch and sliding holdback button on faceplate down to hold and up to release.

Specifications

INTER-CONNECTION

- Field-selectable inter-connection feature allows interior trim to retract deadbolt and deadlatch. Consult local building officials for guidance in code compliance. Retrofits to existing MS1850S Deadbolt or 4500 and 4900 Deadlatch of the same backset. 1-3/4" minimum door thickness required.

CYLINDER BASKET

- 1-1/8" or 1-1/2" only.

LATCHBOLT/DEADBOLT

- Latchbolt: 5/8" throw of solid brass. Easily reversible using only a screwdriver. Deadbolt: 1" throw of stainless steel.

AUXILIARY DEADLATCH PIN

- Stainless steel. Deadlocks latchbolt to prevent "loiding" or case-knife entry.

FACEPLATES

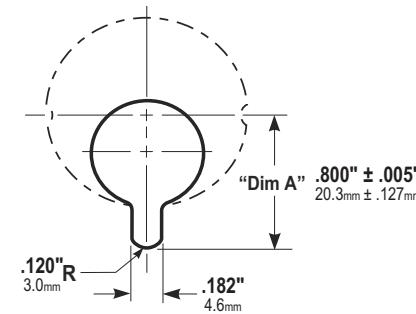
- Measures 1" x 6-7/8". Include FaceStyle faceplate system that adapts to flat, radius, or beveled door edge. Radius with weatherseal faceplate available separately.

STRIKES

- Standard strike furnished is the 2101-01 for flat jamb where door closes flush or nearly flush. The 2101 covers MS® Deadlock strike preparation with modification, and the 4901 Deadlatch strike directly. Also available in radius version for opposite stile pairs of doors and with extended lip strikes for special jamb conditions.

CYLINDER CAM

- The Dual Force 2190 is operable by any standard 1-5/32" diameter mortise cylinder with MS® cam dimensioned as shown. Cylinders with MS® cams can be readily obtained from most cylinder manufacturers. See CYLINDERS section for cylinder make, thumbturn and trim ring information.



OPTIONS

- Specify trim option, lever style, finish, and strike. Also adapts to paddle operator 4591. See 2290 for wood or steel door version for stile and rail type door construction. Note that the low profile trim (trim option 3) is recommended for in-swing door applications. Please refer to 3080 (TRIM) for full offering of designer handle sets.

ELECTRIFIED TRIM OPTIONS

- Order 2190 Electrification Kit EK-2190 for adding to the clutched exterior lever. Dual voltage 12/24 VDC rated for continuous duty operation. Energizing the lever allows exterior lever to be turned to retract latch only. The electrified option is not available for low profile trim (trim option 3).

STANDARD PACKAGE

- Individually boxed with trim as specified, strike and machine screws for mounting. Cylinders available separately. Shipping weight: 2 lbs.

HOW TO ORDER DUAL FORCE® 2190 INTERCONNECTED DEADBOLT/DEADLATCH

Specify quantity and the following information. Order related products separately.

PRODUCT NO.	BACKSET	STRIKE	FACEPLATE FINISH	TRIM	HANDLE DESIGNATION	TRIM AND HANDLE FINISH
2190	-3	1	1	-1	01	32D
	3 1-1/8"	0 None	1 Clear Anodized 628	0 None	00 No Handle	03 Bright Brass (US3)
	4 1-1/2"	1 Standard Flat	2 Dark Bronze Anodized 313	1 With Trim Set	STANDARD SERIES:	04 Satin Brass (US4)
		2 Radius Strike	3 Black Anodized 335	2 With Electrified Trim Set	01 Curve	10B Dark Bronze (US10B)
		3 Flat/Center Hung 4"		3 Low Profile Trim	02 Round	32 Bright Stainless (US32)
		4 Flat/Center Hung 4-1/2"			03 Square	32D Satin Stainless (US32D)
					DESIGNER SERIES:	
					MD MJ	
					ME MN (Handed)	
					MG MV (Handed)	
					MI MW	

Trim options 1 and 2 are for outswinging doors only.

RELATED PRODUCTS When purchasing this product, please consider the following related products, available separately:

Electrification

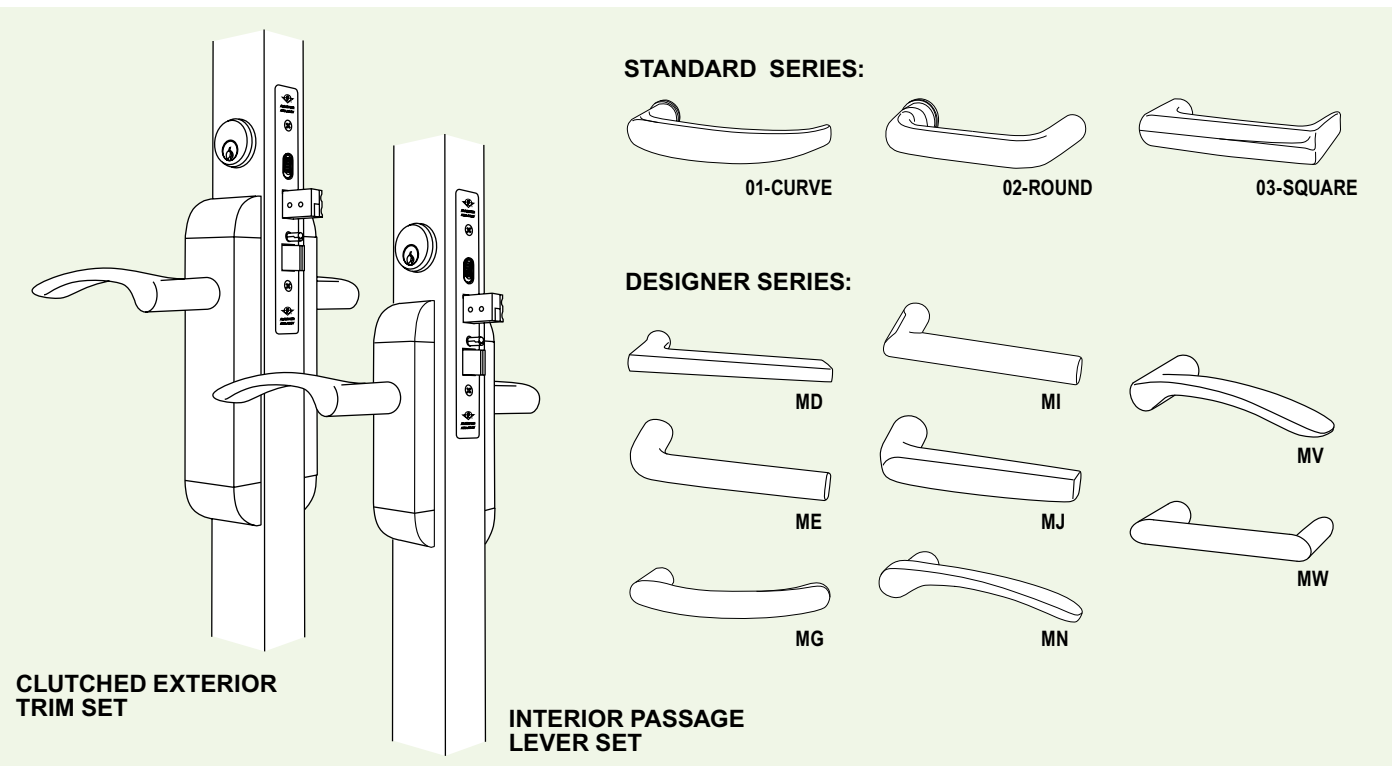
2190 Interconnected Deadbolt/Deadlatch can be electrified in the field using the 2190 Electrification Kit (EK-2190) or it can be ordered with electrified trim (trim option 2).

Accessories

Extended lip strikes.
2190 thick door kits.

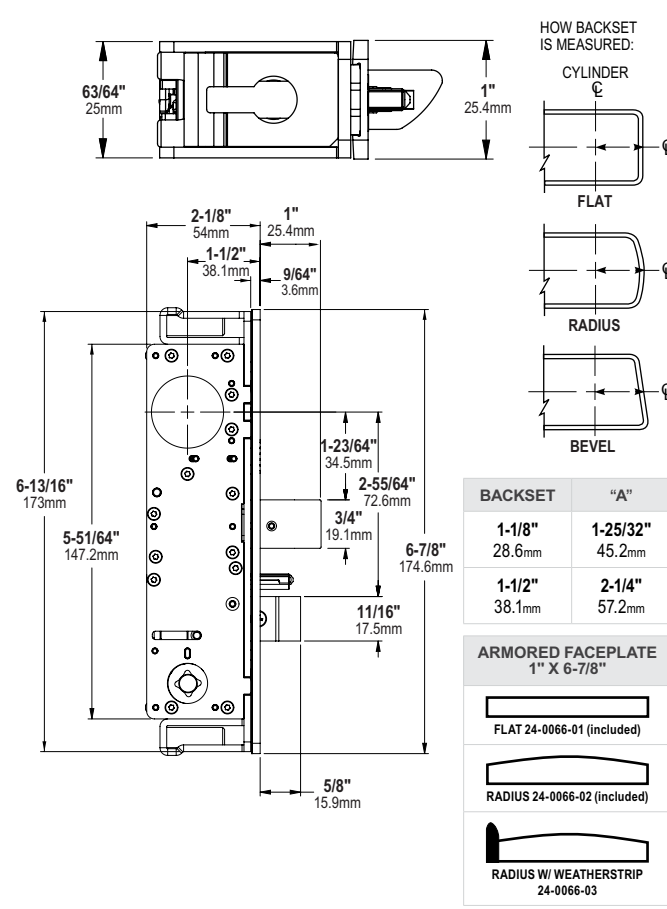
Cylinders

2190 Interconnected Deadbolt/Deadlatch is operable by any standard 1-5/32" diameter mortise cylinder with MS® cam.

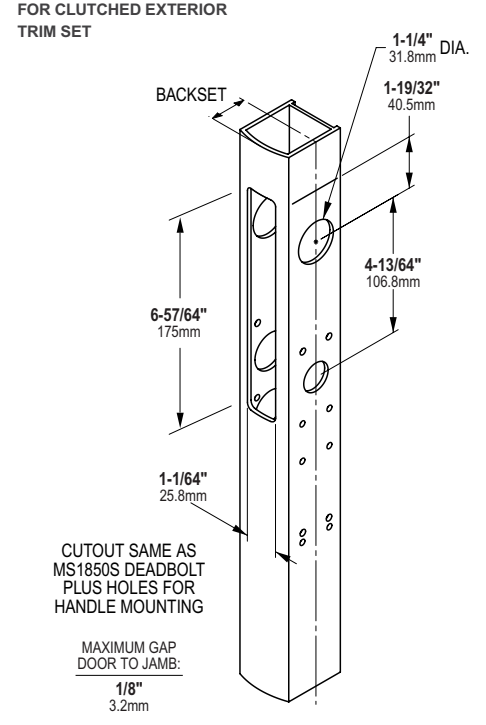


All measurements are approximate and are provided for informational purposes only. Refer to the product Installation Instructions.

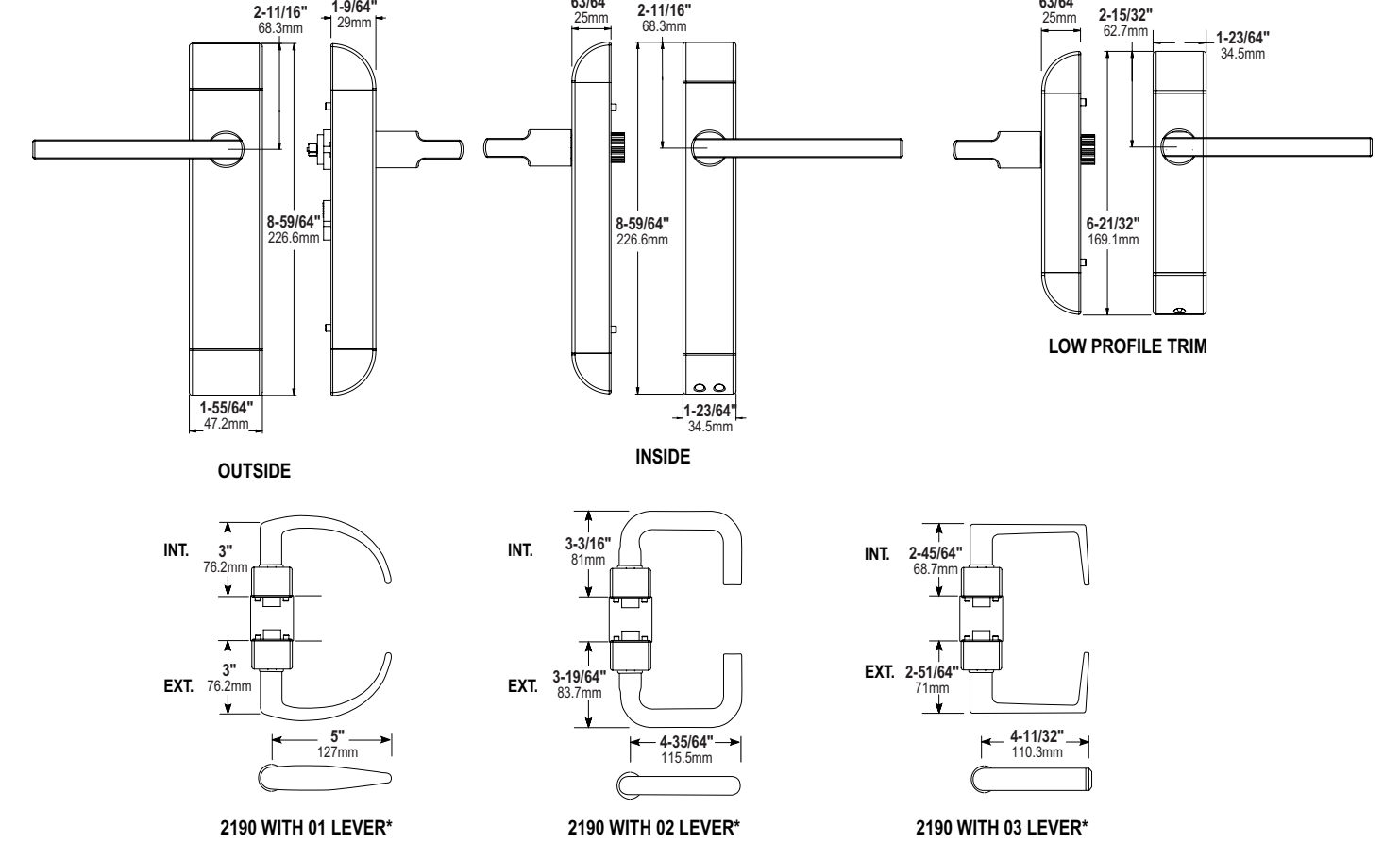
Dimensions



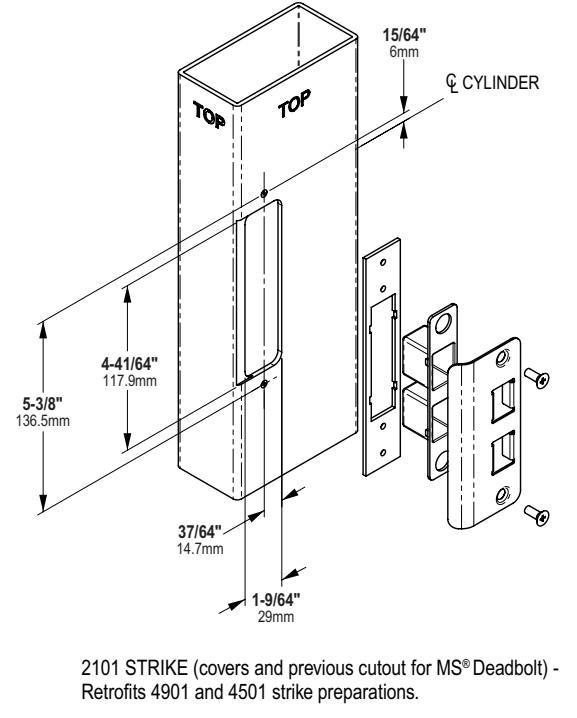
Stile Preparation



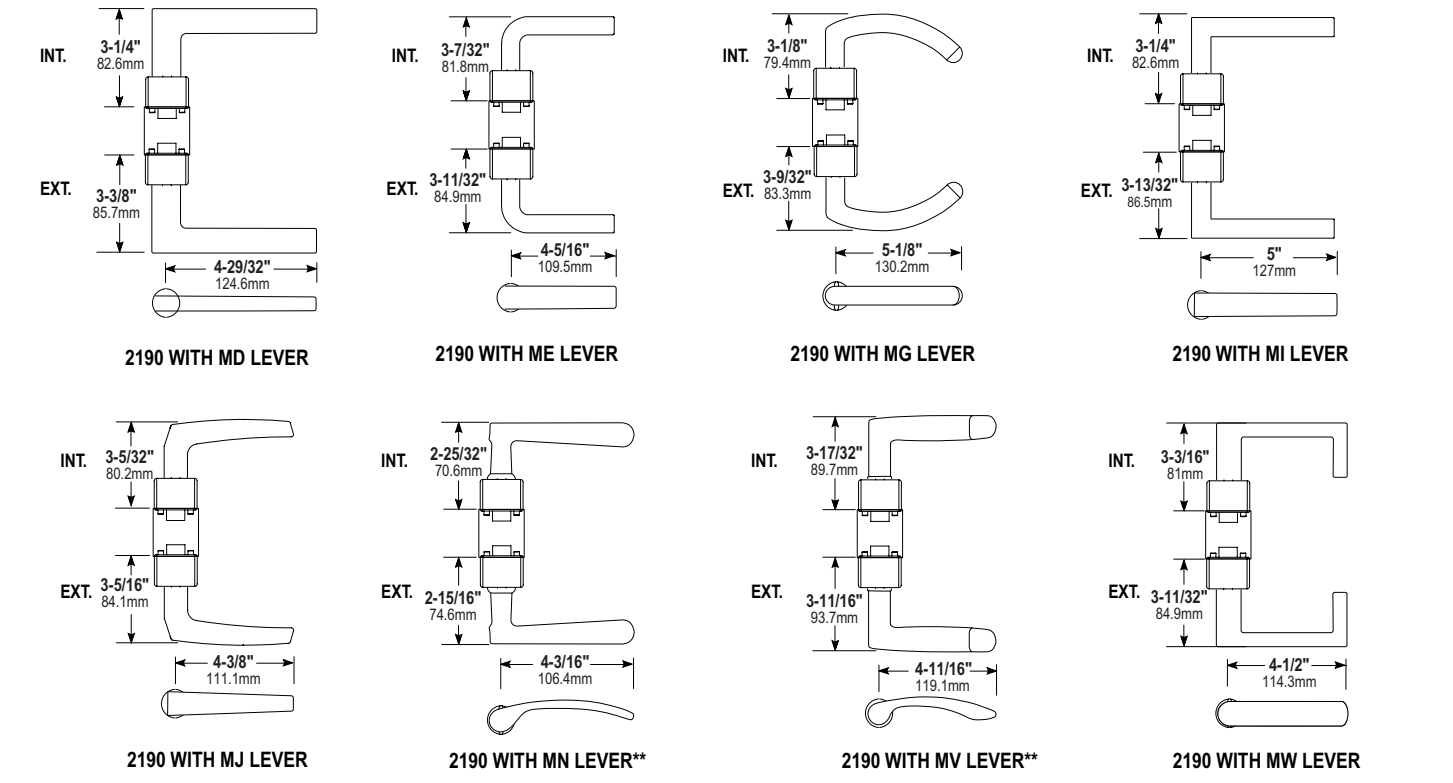
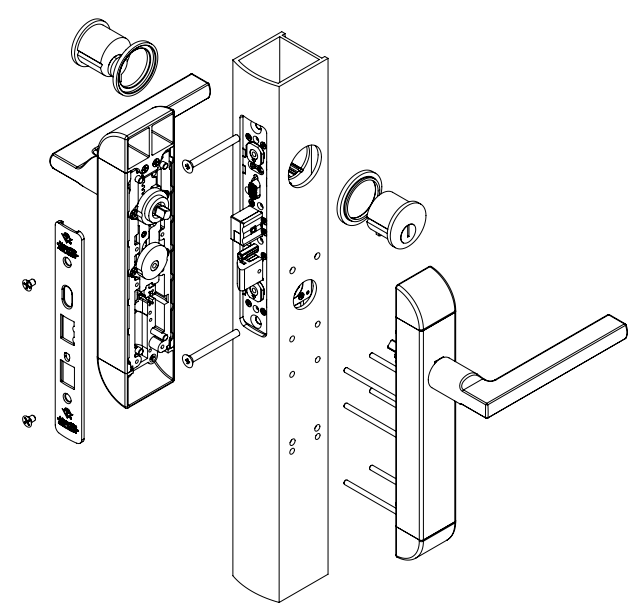
Dimensions



Jamb Preparation



Latch/Lock, Cylinder & Level Installation



* THE 2190-01, -02, AND -03 LEVER HANDLES ARE DESIGNED TO RETURN WITHIN 1/2" OF THE DOOR FACE. HANDLES IN THE DESIGNER SERIES DO NOT HAVE THIS SAME FEATURE. PLEASE VERIFY WITH LOCAL CODE REQUIREMENTS TO ENSURE COMPLIANCE.

** HANDED

Dual Force® 2290 Interconnected Deadbolt/Deadlatch



The Dual Force 2290 Interconnected Deadbolt/Deadlatch provides access control and security for wood or hollow metal doors. Latch and deadbolt capabilities are combined for fast, easy, and panic-proof exiting.

Function

The Dual Force 2290 combines the access control capabilities of a latch with the security of a deadbolt. The key retracts and extends the deadbolt (and deadlatch) from either side. The exterior lever retracts the latch only while the inside lever retracts the deadbolt and latch simultaneously for fast, easy, panic-proof exiting. Intended for out-swinging doors.

Operation

Key or thumbturn retracts or extends deadbolt or deadlatch. Inside lever retracts both when configured with interconnect feature. Outside lever retracts latch only. Latch holdback feature activated or deactivated by turning key to retract latch and sliding holdback button on faceplate down to hold and up to release.

Specifications

INTER-CONNECTION

- Field selectable inter-connection feature allows interior trim to retract deadbolt and deadlatch. Consult the local building official for guidance in code compliance. 1-3/4" minimum door thickness required.

CYLINDER BASKET

- 1-1/8" or 1-1/2" only.

LATCHBOLT/DEADBOLT

- Latchbolt: 5/8" throw of solid brass. Easily reversible using only a screwdriver. Deadbolt: 1" throw of stainless steel.

AUXILIARY DEADLATCH PIN

- Stainless steel. Deadlocks latchbolt to prevent "loiding" or case-knife entry.

FACEPLATES

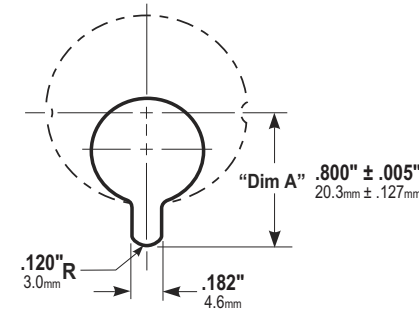
- Measures 1-1/4" x 8". Includes FaceStyle faceplate system that adapts to flat or beveled door edge.

STRIKES

- Standard strike furnished is the 2206 (ASA) strike for flat jamb where door closes flush or nearly flush.

CYLINDER CAM

- The Dual Force 2290 is operable by any standard 1-5/32" diameter mortise cylinder with MS® cam dimensioned as shown. Cylinders with MS® cams can be readily obtained from most cylinder manufacturers. See CYLINDERS section for cylinder make, thumbturn and trim ring information.



OPTIONS

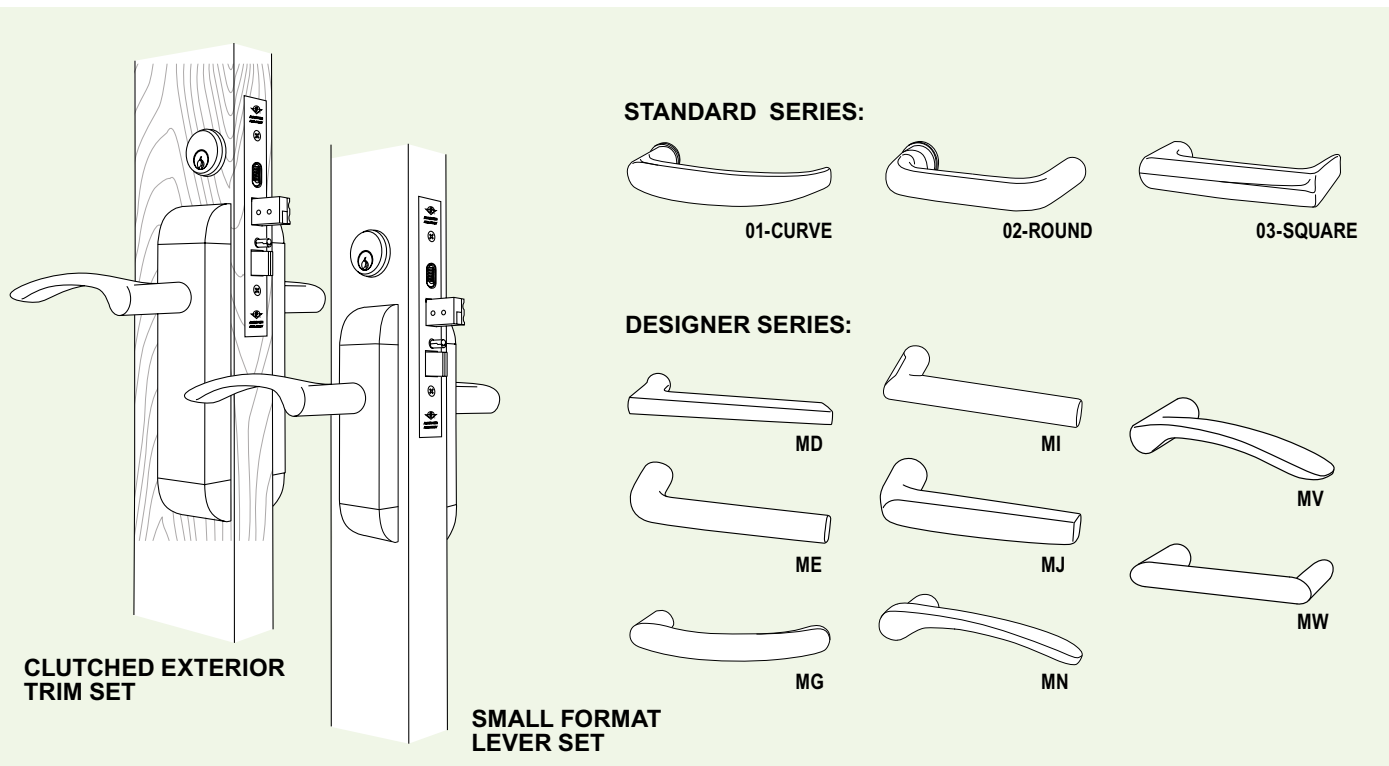
- Specify trim option, lever style, finish, and strike. Also adapts to paddle operator 4591. See 2190 for aluminum door version for narrow stile door construction. Thick Door Kit 2190-TDK-XX available separately. Specify door thickness. Request to Exit RXK-4600 switch available for small format levers. Note that the low profile trim (trim option 3) is recommended for in-swing door applications.

ELECTRIFIED TRIM OPTIONS

- Order 2190 Electrification Kit EK-2190 for adding to the clutched exterior lever. Dual voltage 12/24 VDC rated for continuous duty operation. Energizing the lever allows exterior lever to be turned to retract latch only. The electrified option is not available for low profile trim (trim option 3).

STANDARD PACKAGE

- Individually boxed with trim as specified, strike and machine screws for mounting. Cylinders available separately. Shipping weight: 2 lbs.



HOW TO ORDER DUAL FORCE® 2290 INTERCONNECTED DEADBOLT/DEADLATCH

Specify quantity and the following information. Order related products separately.

PRODUCT NO.	BACKSET	STRIKE	FACEPLATE FINISH	TRIM	HANDLE DESIGNATION	TRIM AND HANDLE FINISH
2290	-3	1	1	1	01	-32D
	3 1-1/8"	0 None	0 US to match trim finish	0 None	00 No Handle	03 Bright Brass (US3)
	4 1-1/2"	1 Standard Flat	1 Clear Anodized 628	1 With Trim Set	STANDARD SERIES:	04 Satin Brass (US4)
			2 Dark Bronze Anodized 313	2 With Electrified Trim Set	01 Curve	10B Dark Bronze (US10B)
			3 Black Anodized 335	3 Low Profile Trim	02 Round	32 Bright Stainless (US32)
					03 Square	32D Satin Stainless (US32D)
					DESIGNER SERIES:	
					MD MJ	
					ME MN (Handed)	
					MG MV (Handed)	
					MI MW	

Trim options 1 and 2 are for outswing doors only.

RELATED PRODUCTS

Electrification

2290 Interconnected Deadbolt/Deadlatch can be electrified in the field using the 2190 Electrification Kit (EK-2190) or it can be ordered with electrified trim (trim option 2).

Accessories

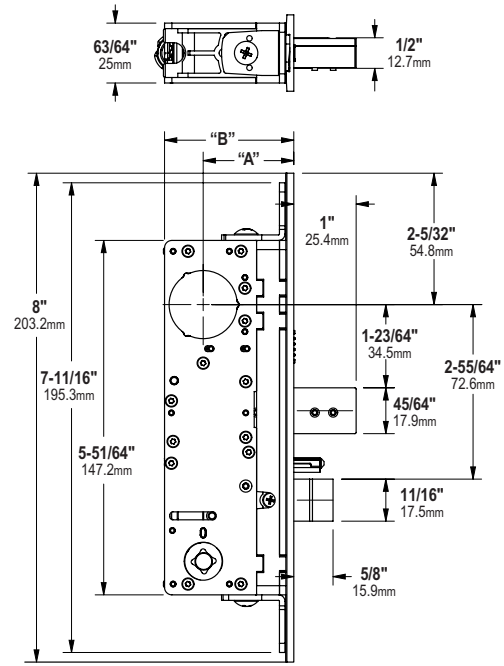
Extended lip strikes.
2290 thick door kits.

Cylinders

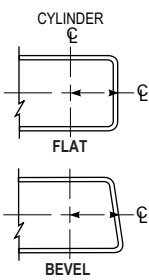
2290 Interconnected Deadbolt/Deadlatch is operable by any standard 1-5/32" diameter mortise cylinder with MS® cam.

All measurements are approximate and are provided for informational purposes only. Refer to the product Installation Instructions.

Dimensions



HOW BACKSET IS MEASURED:

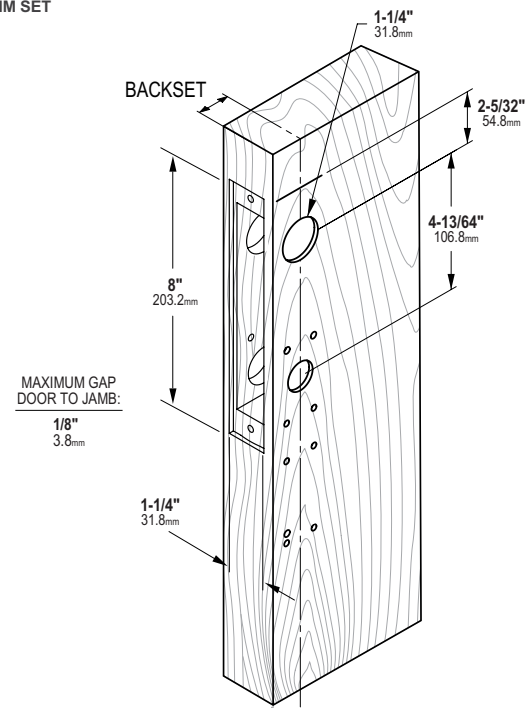


BACKSET	"A"	"B"
1-1/8" 28.6mm	1-1/8" 28.6mm	1-3/4" 45.2mm
1-1/2" 38.1mm	1-1/2" 38.1mm	2-1/8" 54mm

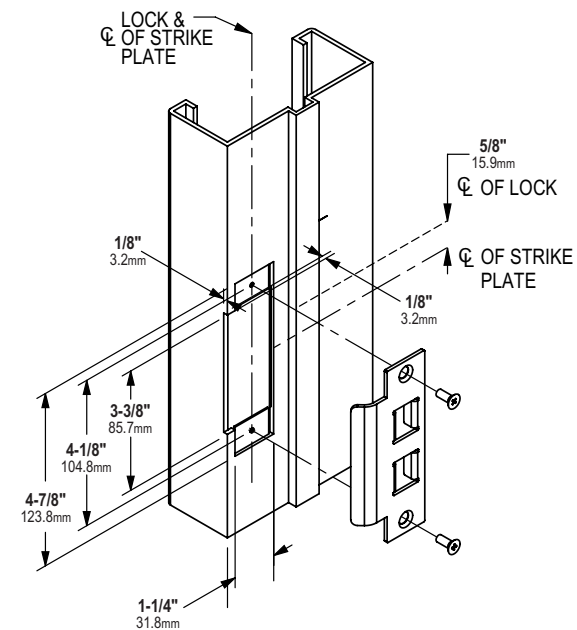
ARMORED FACEPLATE
1-1/4" X 8"
FLAT (included) FPK-0066-OX-XXX

Stile Preparation

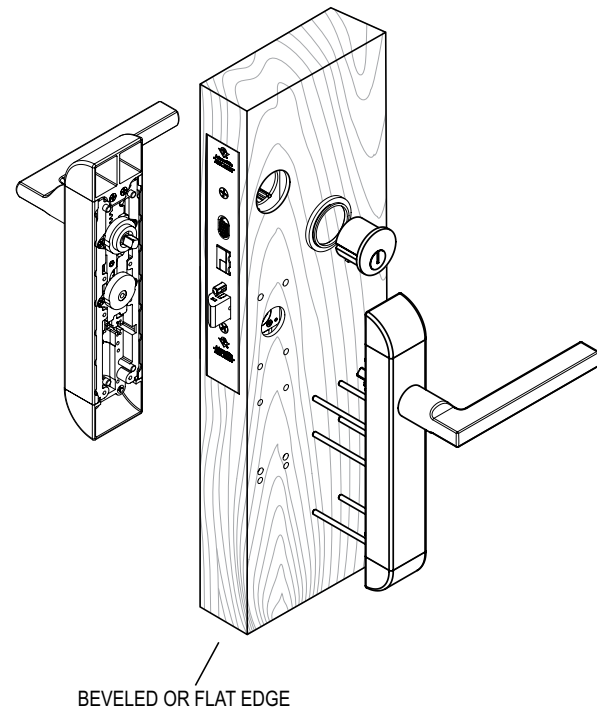
FOR CLUTCHED EXTERIOR TRIM SET



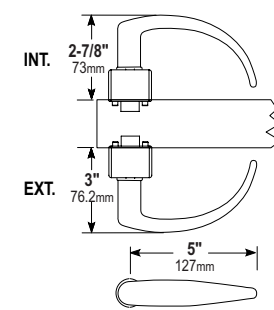
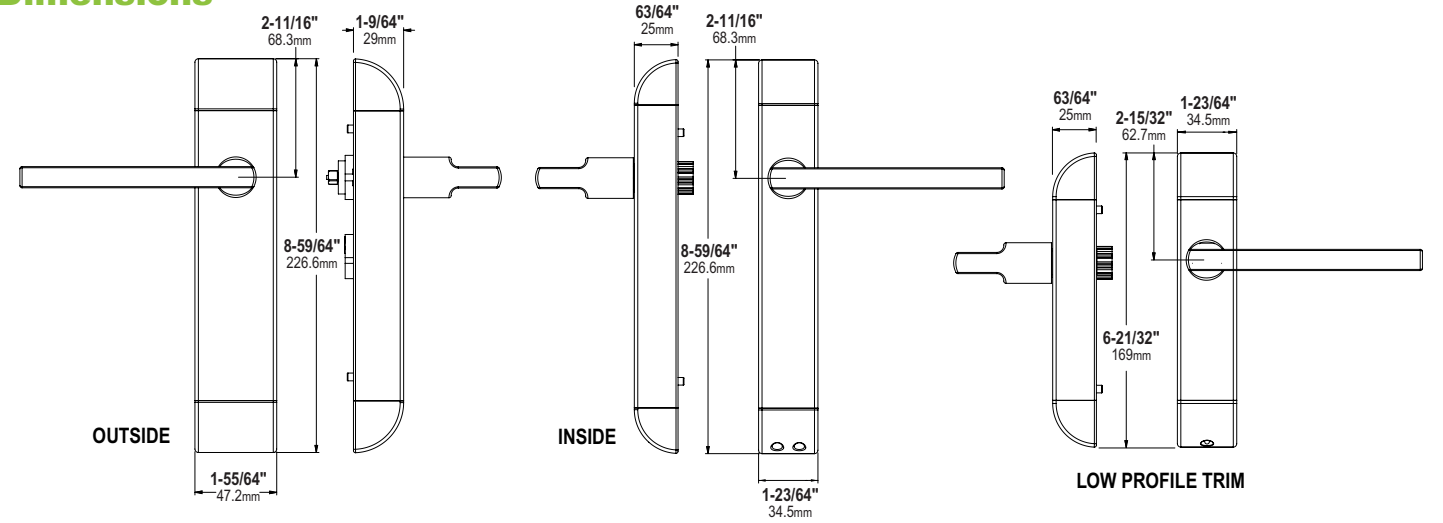
Jamb Preparation
2206 STRIKE



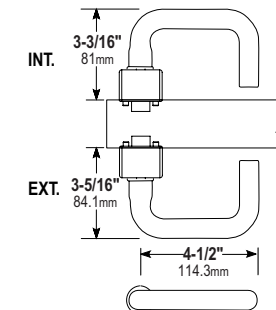
Latch/Lock, Cylinder & Lever Installation



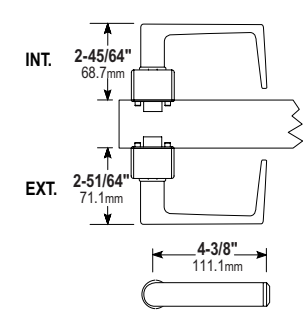
Dimensions



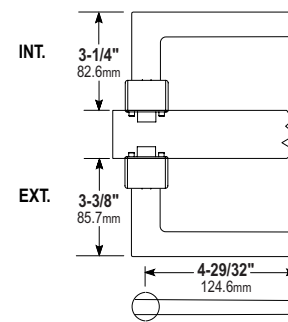
2290 WITH 01 LEVER*



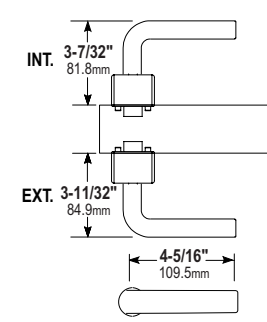
2290 WITH 02 LEVER*



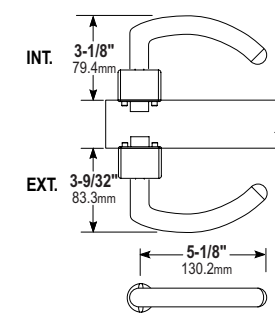
2290 WITH 03 LEVER*



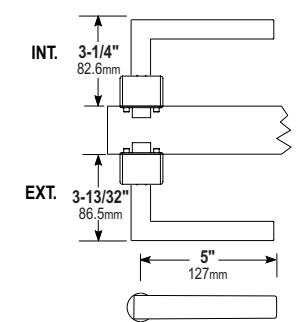
2290 WITH MD LEVER



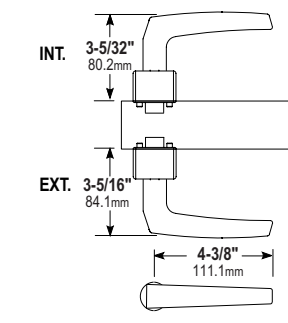
2290 WITH ME LEVER



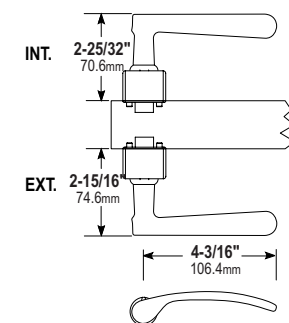
2190 WITH MG LEVER



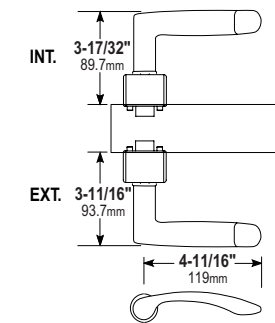
2290 WITH MI LEVER



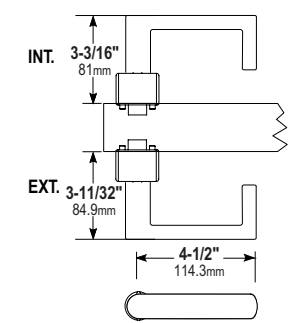
2290 WITH MJ LEVER



2290 WITH MN LEVER**



2290 WITH MV LEVER**



2290 WITH MW LEVER

* THE 2290-01, -02, AND -03 LEVER HANDLES ARE DESIGNED TO RETURN WITHIN 1/2" OF THE DOOR FACE. HANDLES IN THE DESIGNER SERIES DO NOT HAVE THIS SAME FEATURE. PLEASE VERIFY WITH LOCAL CODE REQUIREMENTS TO ENSURE COMPLIANCE.
** HANDED

2331 Heavy Duty Deadbolt



HOLLOW
METAL



WOOD



GRADE 1
E16121

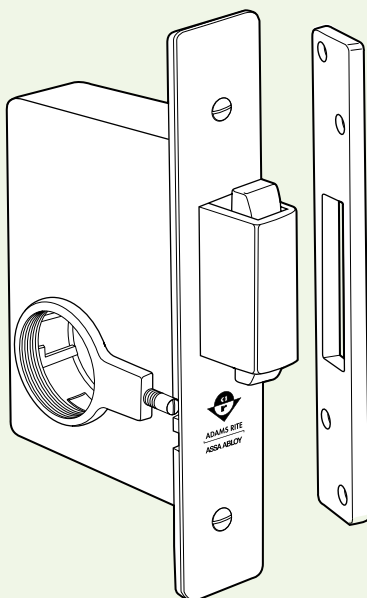
The 2331 Heavy Duty Deadbolt provides a heavy duty deadbolt lock that expands into the strike for heavy duty wood or hollow metal applications.

Function

A heavy duty deadbolt for heavy duty metal or wood sliding doors, the 2331 Heavy Duty Deadbolt throws a massive brass bolt into its strike, then expands two stainless steel dogs to secure the door. A single turn of the key expands or retracts the bolt. Operates with standard mortise cylinder (standard cam) or with standard mortise cylinder thumbturn. There is no latch action.

Operation

360° turn of key or thumbturn extends and expands or retracts and withdraws the bolt. Key cannot be removed unless bolt is positively locked or totally retracted. Requires special cylinder cam (see details on back of page).



Specifications

BACKSET

- 1-3/4" only.

CASE

- Zinc alloy, measures 7/8" x 3-5/8" x 2-5/8" deep.

BOLT

- Brass with stainless steel dogs, 1/2" x 1-1/2" with 3/4" horizontal throw and 11/32" expansion above and below main bolt.

ARMOR FACEPLATE

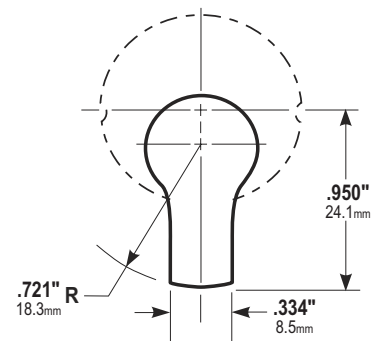
- Flat faceplate of brass 1" x 5-3/4". Available in a variety of finishes.

STRIKE

- 1/8" x 1" x 4-11/16" with 5/8" x 1-5/8" opening. Brass, with four-screw mounting. Trim finish same as faceplate.

SPECIAL CYLINDER CAM

- 2331 Heavy Duty Deadbolts are operable by any standard 1-5/32" diameter mortise cylinder with special cam dimensions as shown. Cylinders with such cams can be readily obtained from most cylinder manufacturers.



OPTIONS

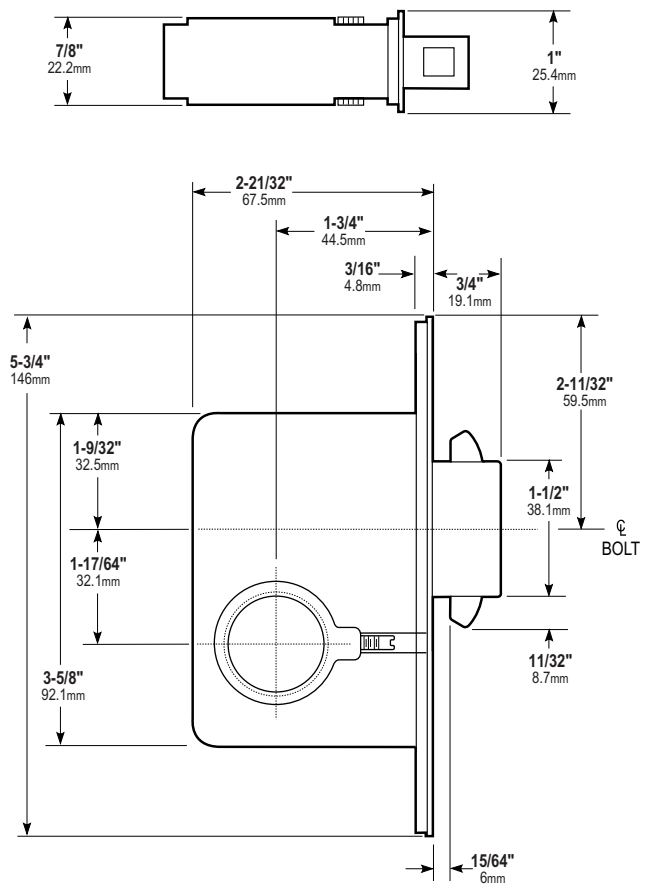
- Specify trim finish: US3 Polished Brass (605), US26 Bright Chrome (625), or US26D Satin Chrome (626).

STANDARD PACKAGE

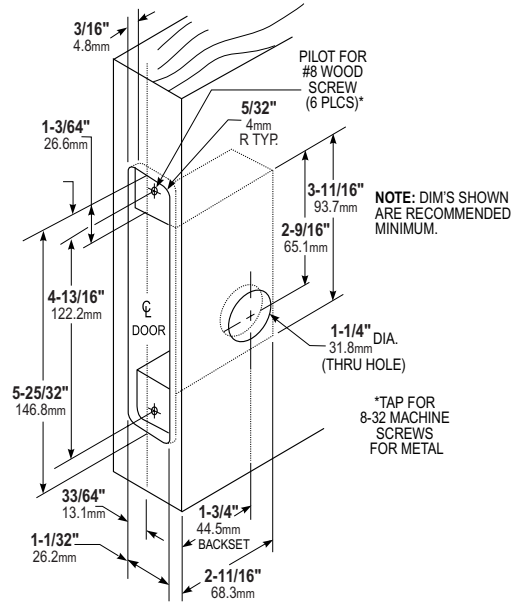
- Individually boxed with strike and wood screws for mounting lock and strike. Shipping weight: 2 lbs.

All measurements are approximate and are provided for informational purposes only. Refer to the product Installation Instructions.

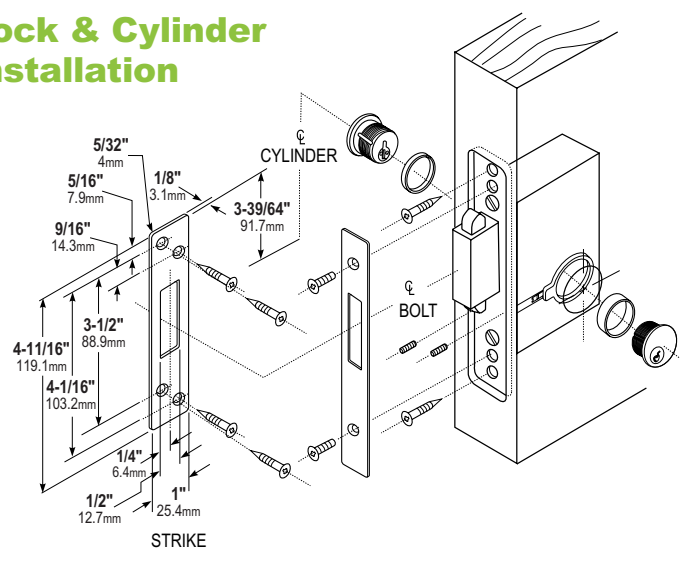
Dimensions



Wood Door Preparation



Lock & Cylinder Installation



HOW TO ORDER 2331 HEAVY DUTY DEADBOLT

Specify quantity and the following information. Order related products separately.

PRODUCT NO.	FINISH
2331	-626
	121 To Match Dark Bronze Anodized 313
	605 Bright Brass
	625 Bright Chrome
	626 Satin Chrome

RELATED PRODUCTS When purchasing this product, please consider the following related products, available separately:

Cylinders

2331 Heavy Duty Deadbolts are operable by any standard 1-5/32" diameter mortise cylinder with special cam.

4070 Series Short Throw Deadbolt (Projection Style)



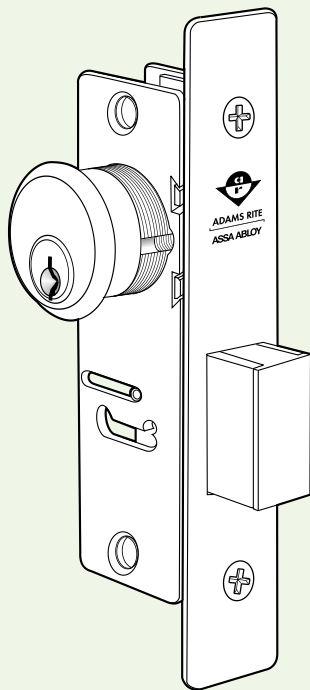
ALUMINUM

GRADE 2
E8212

The 4070 Short Throw Deadbolt provides security for a conventionally projected bolt in installations where the long-throw MS® Deadlock cannot be used. The smaller 4070 offers the longest practical throw from a narrow stile.

Function

For installation where the long-throw MS® Deadlock cannot be accommodated, the smaller 4070 offers the longest practical throw for a conventionally projected bolt from a narrow stile. Operates with one-half key turn of any standard mortise type cylinder or cylinder type thumbturn. This product is not designed for use in bottom rail.



Operation

180° turn of key or thumbturn projects or retracts the bolt. Accepts any standard 1-5/32" mortise cylinder from either or both sides. Cylinder must have special cam to fit (as shown).

Specifications

CYLINDER BACKSET

- 7/8", 31/32", or 1-1/8" only.

CASE

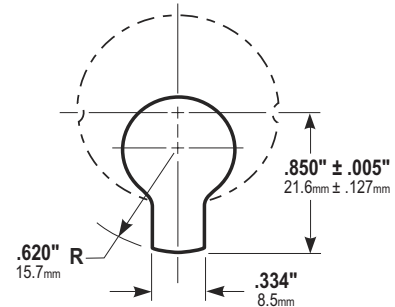
- Steel with corrosion-resistant plating. 1" x 6" x depth. Depth varies by backset.

BOLT

- 5/8" x 1-1/4" x 5/8" throw.

SPECIAL CYLINDER CAM

- 4070 Short Throw Deadbolts are operable by any standard 1-5/32" diameter mortise cylinder with special cam dimensioned as shown. See CYLINDERS section for cylinder make, thumbturn and trim ring information.



STRIKE

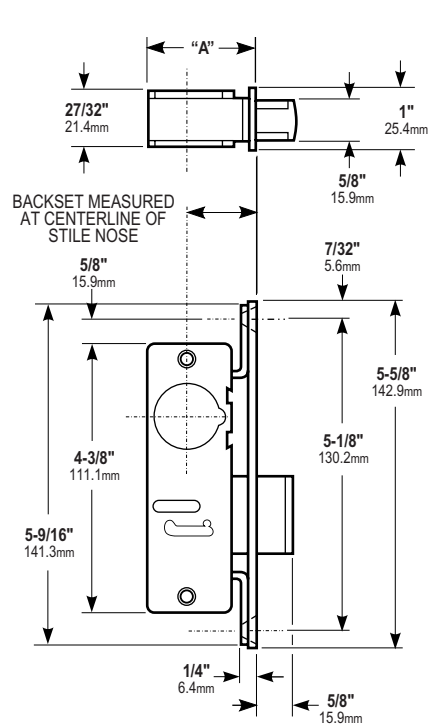
- In metal installations, a slot in door jamb serves as strike. Deluxe trim strike 4170 is also available separately for wood installations.

STANDARD PACKAGE

- Individually boxed with machine screws for mounting. Cylinders and/or thumbturns available separately. Shipping weight: 1/2 lb.

All measurements are approximate and are provided for informational purposes only. Refer to the product Installation Instructions.

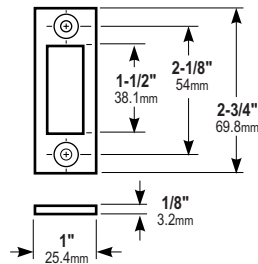
Dimensions



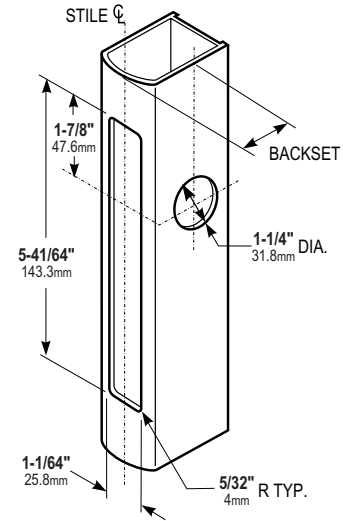
BACKSET	"A"
7/8" 22.2mm	1-37/64" 40.1mm
31/32" 24.6mm	1-5/8" 41.3mm
1-1/8" 28.6mm	1-25/32" 45.2mm

ARMORED FACEPLATE 1" X 5-5/8"
FLAT 4070
RADIUS 4071
LH BEVEL 4072-X5
RH BEVEL 4072-X6

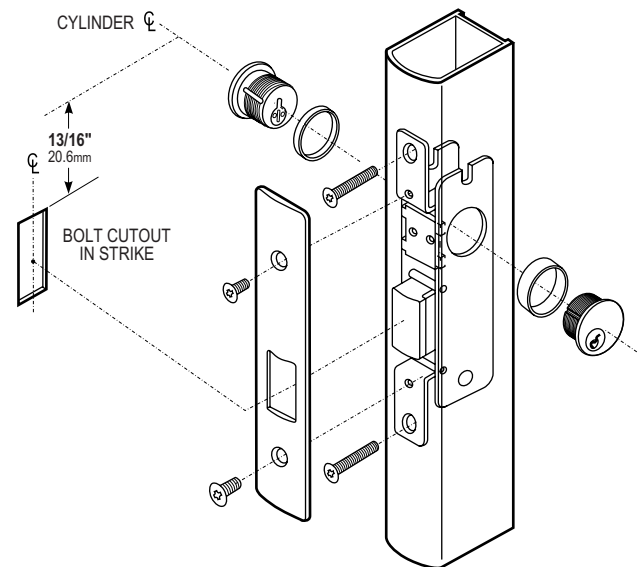
4170 Trim Strike



Stile Preparation



Lock & Cylinder Installation



HOW TO ORDER 4070 SERIES SHORT THROW DEADBOLT (PROJECTION STYLE)

Specify quantity and the following information. Order related products separately.

PRODUCT NO.	FACEPLATE	BACKSET	HANDING	FINISH
407	2	-2	6	-628
	0 Flat	1 7/8"	5 LH or RHR	313 Dark Bronze Anodized
	1 Radius	2 31/32"	6 RH or LHR	335 Black Anodized
	2 Bevel	3 1-1/8"	0 Non-Handed*	628 Clear Anodized

*Any flat or radius faceplate. Specify 4170 Trim Strike if required.

RELATED PRODUCTS When purchasing this product, please consider the following related products, available separately:

Cylinders

4070 Short Throw Deadbolts are operable by any standard 1-5/32" diameter mortise cylinder with special cam.

Accessories

4170 trim strike for wood installations.

4189, 4190 Flush Locksets (Including Deadlock)



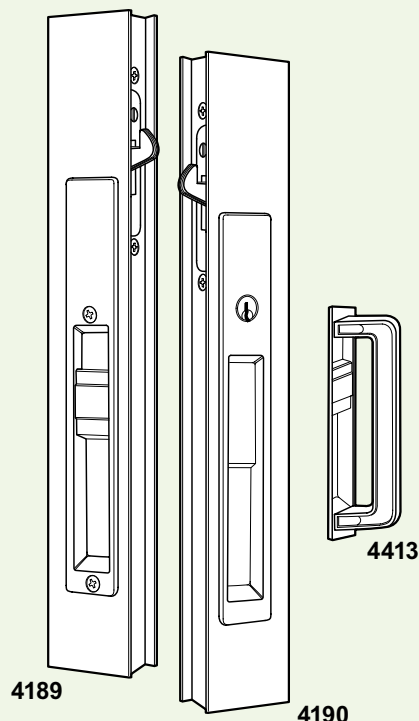
ALUMINUM

HOLLOW
METALGRADE 2
EB292

The 4189 and 4190 Flush Locksets for sliding doors combine the time-tested and field-proven Adams Rite MS1847 with a slide button.

Function

Projecting only 1/10" from the door stile on either side, 4189 and 4190 locksets allow doors to slide freely past other sliding units or stationary panels. There are no projecting handles to tear draperies or prevent the door from being "stacked" in a wall packet. 4190 has a flush mounted cylinder outside. Not recommended for wood doors.



Operation

Both locksets operated from inside by a simple up or down movement of a slide button, set flush in the deeply recessed finger pull. The lock mechanism (latching action unavailable) is the time-tested and field-proven Adams Rite MS1847 and features the adjustable, self-protecting bolt. Matching "dummy set" is also available (4195).

Specifications

INSIDE OPERATION

- Vertical slide button projects or retracts deadlock bolt.

OUTSIDE OPERATION (4190 ONLY)

- Key in, five-pin cylinder with Schlage "C" keyway, projects or retracts bolt.

BACKSET

- Variable, minimum 5/8", maximum 1-9/32" (from face to lock to escutcheon and cylinder centerline).

STILE THICKNESS

- May be 1" to 1-3/8". Available by special order for stiles 1-3/8" thick or greater at extra cost.

STILE DEPTH

- Minimum clear depth: backset plus 9/16".

ANTI-LIFT LOCK MECHANISM

- Basic MS 1848-09 (radius ends) or MS1848-10 (square ends) is supplied. Stainless steel bolt is self-protecting, adjustable for reach.

ESCUTCHEONS

- Zinc Alloy, Satin Silver epoxy.

4413 INTERIOR PULL

- The 4413 provides a surface-mounted grip-type pull on doors already equipped with 4189 or 4190 flush hardware. Mounting is by two machine screws and requires no alteration to door or flush lockset. Attractive sheer-line design blends perfectly with the trim appearance of the flush escutcheons, yet offers a generous hand grip for convenience. Material is ABS plastic in graphite grey color.

OPTIONS

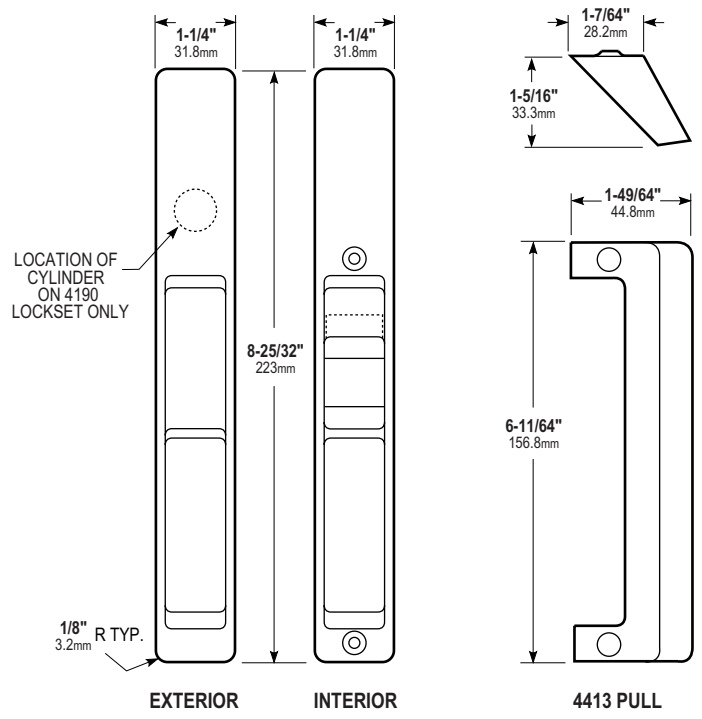
- Specify 4190 if outside key-cylinder operation required; 4189 if not. Add Dash number -10 for square-ended lock face or -09 for round end. Cylinder-only operation (one side) available: 4198 has standard mounting screws, 4196 has non-removable screws. Dummy set 4195 also available. 4413 Interior Pull available separately.

STANDARD PACKAGE

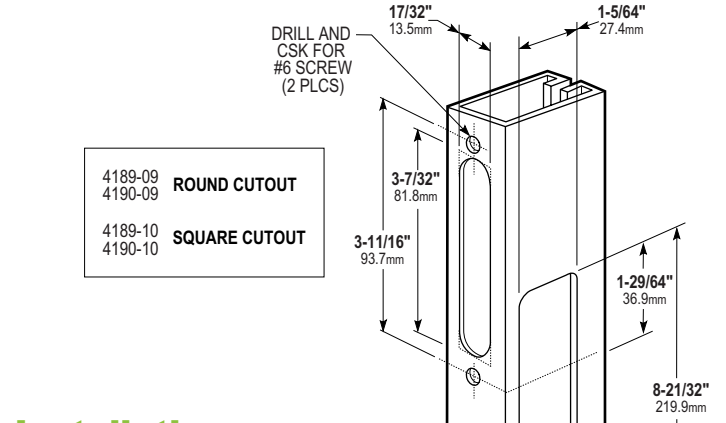
- 4190, with cylinder, and 4189, without cylinder, are each complete packages. Shipped individually boxed with mounting screws. 4190 includes two keys. Standard 4190 units are keyed different (KD). Contact factory for special keying. Weight: 1-1/4 lbs.

All measurements are approximate and are provided for informational purposes only. Refer to the product Installation Instructions.

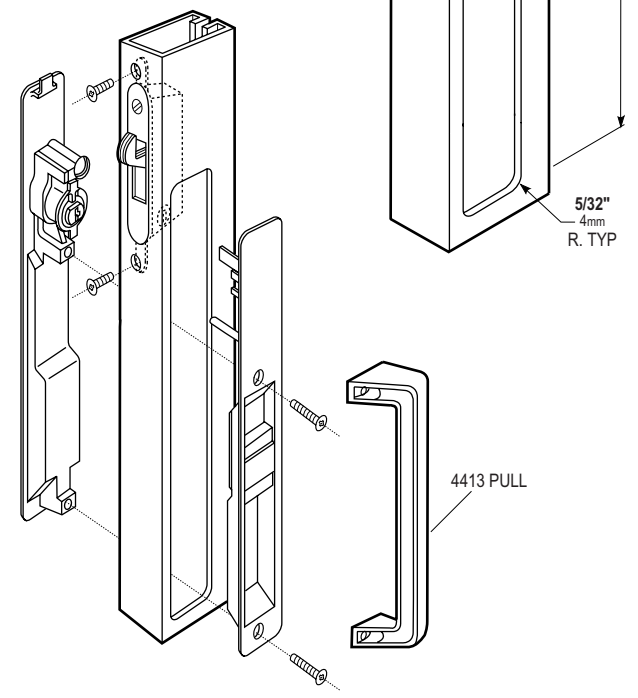
Dimensions



Stile Preparation



Installation



HOW TO ORDER 4189, 4190 FLUSH LOCKSETS (INCLUDING DEADLOCK)

Specify quantity and the following information. Order related products separately.

PRODUCT NO.	LOCKSET EXTERIOR	LOCK FACE	STILE THICKNESS	FINISH	KEYING OPTIONS	PACKAGING
41	90	-09	-1	-130	-01	-IB
	89 Without Cylinder	00 Without Lock	1 1" to 1-3/8"	130 To match Clear Anodized 628	00 Without Cylinder	IB Individually Boxed
	90 With Cylinder	09 Radius	2 1-7/16" to 1-5/8"	121 To match Dark Bronze Anodized 313	01 Keyed Different	
	95 Dummy	09S Radius Stainless Steel	3 1-11/16" to 2"	119 To match Black Anodized 335	02 Keyed Alike in Pairs	
		10 Square			50 Keyed Alike (50)	
		10S Square Stainless Steel				

RELATED PRODUCTS When purchasing this product, please consider the following related products, available separately:

Accessories

4413 Interior Pull.

Special Order Options

Special keying available by special order only:
 1) Keyed alike 2
 2) Keyed alike 50
 3) Keyed alike 100

4430, 4431 Flush Locksets (Including Deadlock)



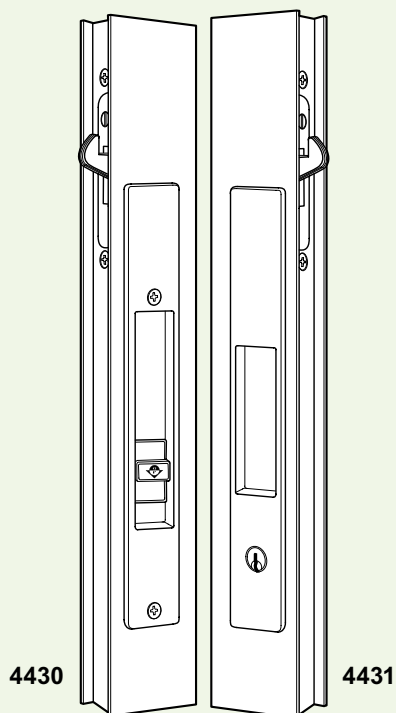
ALUMINUM

HOLLOW
METALGRADE 2
EB292

The 4430 and 4431 Flush Locksets for sliding doors combine the time-tested and field-proven Adams Rite MS1847 with a slide button.

Function

Similar in function and nearly identical in size to the all-metal 4189 and 4190 Flush Locksets, these economical units feature escutcheons molded of sturdy ABS resin. The black satin finish of the 4430 and 4431 lends elegance to aluminum door stiles. Not recommended for wood doors.



Operation

Both locksets operated from inside by a simple up or down movement of a slide button, set flush in the deeply recessed finger pull. The lock mechanism (latching action unavailable) is the time-tested and field-proven Adams Rite MS1848 and features the adjustable, self-protecting bolt. Matching "dummy set" is also available (4432).

Specifications

INSIDE OPERATION

- Vertical slide button projects or retracts deadlock bolt.

OUTSIDE OPERATION (4431 ONLY)

- Key in, five-pin cylinder with Schlage "C" keyway, projects or retracts bolt. Other cylinder makes not available.

BACKSET

- Variable, minimum 5/8", maximum 1-9/32" (from face to lock to escutcheon and cylinder centerline).

STILE THICKNESS

- May be 1" to 1-3/8". Available by special order for stiles 1-3/8" thick or greater at extra cost.

STILE DEPTH

- Minimum clear depth: Backset plus 9/16".

ANTI-LIFT LOCK MECHANISM

- Basic MS 1848-09 (radius ends) or MS1848-10 (square ends) is supplied. Stainless steel bolt is self-protecting, adjustable for reach.

ESCUTCHEONS

- Molded ABS resin plastic. Black Satin finish. Deeply recessed finger pull on both sides. Fits same cutout as metal 4189, 4190 Flush Locksets.

OPTIONS

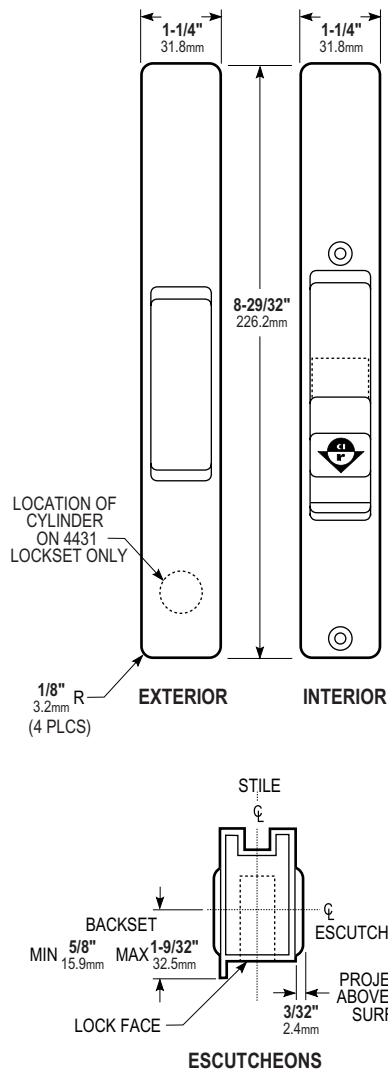
- Specify 4431 if outside key-cylinder operation required; 4430 if not. Add Dash number -10 for square-ended lock face or -09 for round end. Dummy set 4432 available. 4453 Interior Pull available separately.

STANDARD PACKAGE

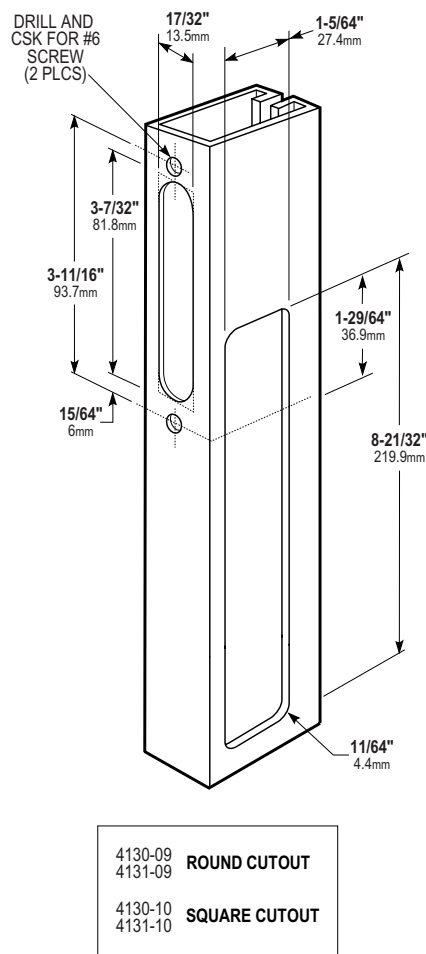
- 4431, with cylinder, and 4430, without cylinder, are each complete packages. Shipped individually boxed with mounting screws. 4431 includes two keys. Standard 4431 units are keyed different (KD). Contact factory for special keying. Weight: 1-1/4 lbs.

All measurements are approximate and are provided for informational purposes only. Refer to the product Installation Instructions.

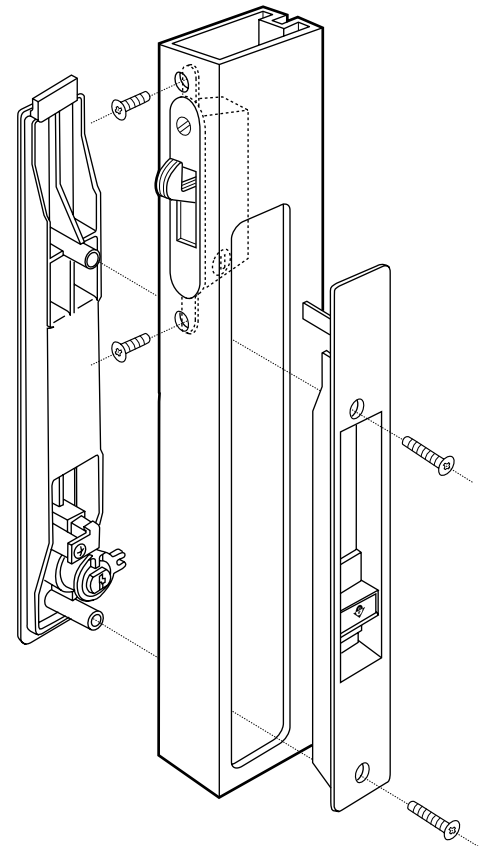
Dimensions



Stile Preparation



Installation



HOW TO ORDER 4430, 4431 FLUSH LOCKSETS (INCLUDING DEADLOCK)

Specify quantity and the following information. Order related products separately.

PRODUCT NO.	LOCKSET EXTERIOR	LOCK FACE	STILE THICKNESS	KEYING OPTIONS	PACKAGING
44	31	-09	-05	-01	-IB
	30 Without Cylinder	00 Without Lock	00 1" to 1-5/16"	00 Without Cylinder	IB Individually Boxed
	31 With Cylinder	09 Radius	05 1-3/8" to 1-5/8"	01 Keyed Different	
	32 Dummy	09S Radius Stainless Steel	08 1-3/4" to 2"	02 Keyed Alike in Pairs	
		10 Square		50 Keyed Alike (50)	
		10S Square Stainless Steel			

RELATED PRODUCTS When purchasing this product, please consider the following related products, available separately:

Accessories

4413 Interior Pull.

Special Order Options

Special keying available by special order only:

- 1) Keyed alike 2
- 2) Keyed alike 50
- 3) Keyed alike 100

5017 Wood Door Deadlock/Deadlatch



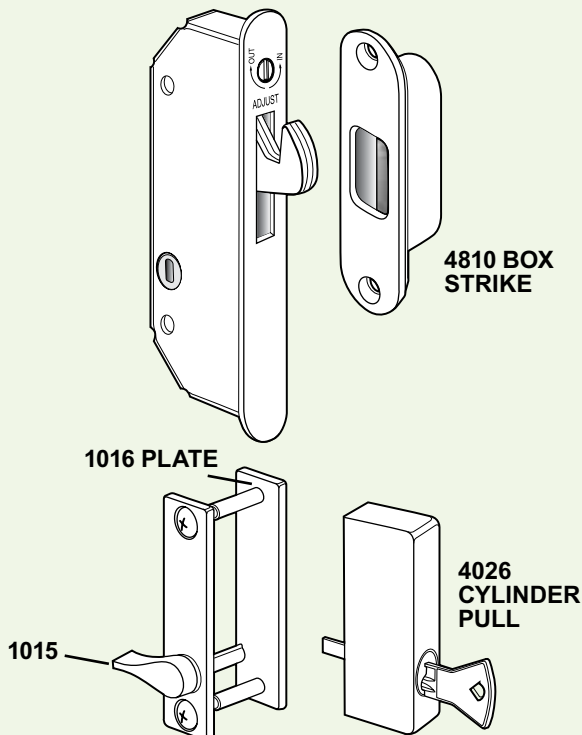
WOOD

GRADE 2
EB292

The 5017 Wood Door Deadlock/Latch provides the strength and deeper backset required to secure sliding wood doors.

Function

For wood framed sliding doors, the 5017 Wood Door Deadlock/Latch provides the same thousand pound strength that the MS1847 Deadlock/Latch provides for metal stiles. A deeper backset clears the recessed jamb used with wood doors. The bolt throw is easily adjusted by means of a screw in the faceplate. Mounting is by through-bolts, which also secure the inside turn and outside cylinder when installed.



Operation

45° rotation of turn or key throws or retracts bolt. Bolt is self-protecting: if door is shut while bolt is extended, it will retract, preventing damage or accidental lock-out.

Specifications

BACKSET

- 1-3/16" (1-1/4" including faceplate).

CASE

- Stainless steel, measures 1/2" x 4" x 1-19/32" deep. Bolt is laminated stainless steel (specify 5015 for zinc plated steel case and faceplate).

FACEPLATE

- Stainless steel, 5/8" x 4-1/2" with radiused ends.

1015 TURN

- Available with 1016 blank plate shown for doors from 5/6" to 2-1/4" thickness. Without blank plate turn available (for use with cylinder pull) on doors from 1-7/16" to 2" thickness. Standard finish 130, Satin Aluminum enamel.

4026 CYLINDER PULL

- Five pin tumbler cylinder in zinc alloy housing. Standard finish 130 Satin Aluminum.

OPTIONS

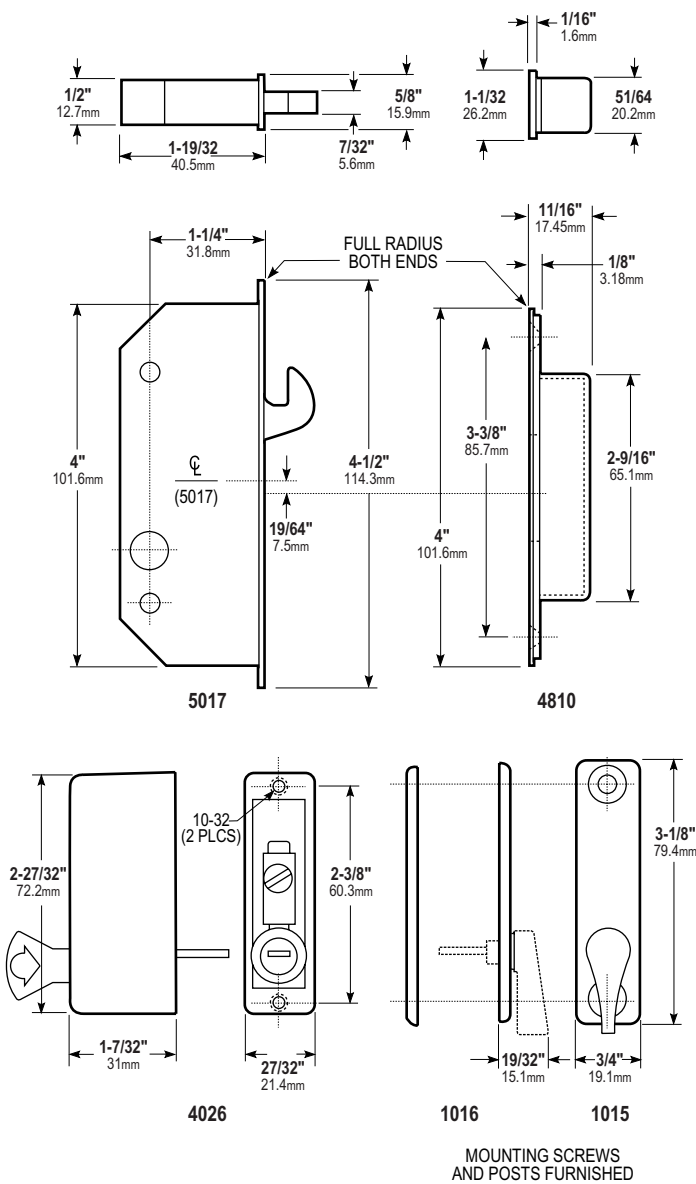
- Specify 5015 for zinc plated steel case and faceplate. 1015 Turn for inside operation is available alone (for use with 4026 cylinder pull on outside) or with a blank 1016 outside trimplate and binder posts (when cylinder is not required). 4810 Box Strike with wood screws available separately.

STANDARD PACKAGE

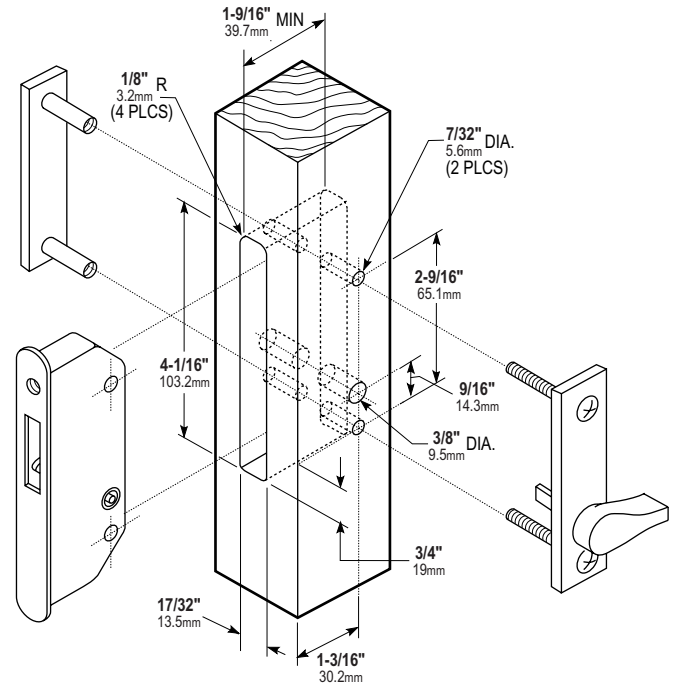
- Cylinder pulls and/or thumbturns available separately. Shipping weight: 1/2 lb.

All measurements are approximate and are provided for informational purposes only. Refer to the product Installation Instructions.

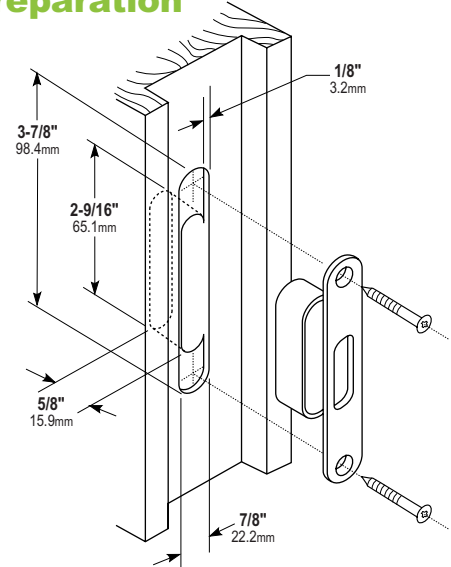
Dimensions



Stile Preparation FOR LOCK, TURN & CYLINDER PULL



Jamb Preparation FOR STRIKE



HOW TO ORDER 5017 WOOD DOOR DEADLOCK/DEADLATCH

Specify quantity and the following information. Order related products separately.

PRODUCT NO.	LATCH CONFIGURATION
5017	-00
	00 Standard
	02 Self Latching

For installation with cylinder, specify quantity of 4026 cylinder pulls and door thickness.

RELATED PRODUCTS When purchasing this product, please consider the following related products, available separately:

Accessories

Turn and cylinder pull. 4810 Box Strike.

Options & Accessories for Deadlocks

Adams Rite Deadlocks including the MS® Maximum Security Deadlocks can be ordered with a variety of related products including strike plates, cylinder accessories and trim. Different deadlocks have different installation and cylinder requirements. Please refer to product pages for more information on all available deadlock types, functions, installation requirements and complete How-to-Order guides.

For more detailed information on any of the products listed below please refer to the corresponding section of this catalog.

ACCESSORIES

4000 SERIES MS DEADLOCK STRIKES

4000 surface mounted strike plate, 4001 strike plate with dust box, 4005 threshold strike, 4006 floor strike, 4505 armored strike, or 4003 ANSI strike add aesthetics and finish to strike cutouts in jambs.

4800 SERIES STRIKES

4801 for hollow metal, 4802 for wood, or MS4804 reinforcing strike, the 4800 Series Strikes boast vertical adjustment and include a shim system for horizontal positioning for nearly any sliding door using a mortised MS1847 Deadlock or latch.

HEADER BOLTS

4015 Threshold Bolt is a two-point lock that easily secures a single door entrance. Security for pairs of doors with single key turning is possible with the 4016 Header Bolt. The three-point lock easily secures the entire double door entrance when working in conjunction with an MS Deadlock. 4085 Header Bolt facilitate top-of-door third locking point for pairs of doors when working in conjunction with an MS pivoted bolt deadlock and 4015 Threshold Bolt in the active leaf.

EXIT INDICATOR

The 4089 Exit Indicator provides exit door notification for various Adams Rite deadlocks.

CYLINDERS

CYLINDER PULLS

The 4024, 4025, 4026 Cylinder Pulls are designed to operate Adams Rite MS1847 Deadlocks and 5017 Wood Door Deadlock.

4036 MORTISE CYLINDER

The 4036 Mortise Cylinder is a standard 1" long, 1-5/32" diameter cylinder that provides five-pin security with most Adams Rite locks or latches.

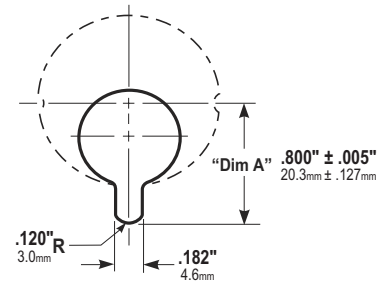
4066 THUMBTURN

The 4066 Thumbturn interchanges with standard 1-5/32" diameter mortise cylinder and operates locks or latches without a key.

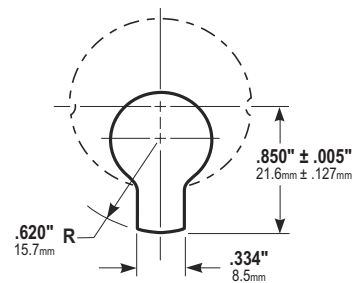
MS4043 CYLINDER GUARD

The MS4043 Cylinder Guard is a hardened-steel, free-swiveling ring to protect cylinder from vandalism such as prying or twisting.

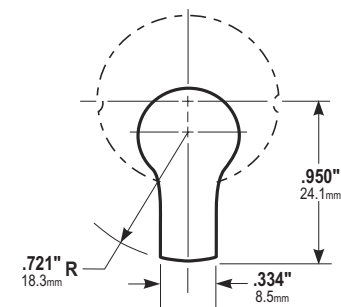
Dimensions of MS cam to operate Adams Rite deadlocks, excluding 4070 Deadlock and 2331 Deadlock.



Dimensions of cam to operate Adams Rite 4070 Deadlock.



Dimensions of cam to operate Adams Rite 2331 Deadlock.



TRIM

1000 TURNS

The 1000 Turns with or without escutcheon are designed to operate Adams Rite MS1847 Deadlocks and 5017 Wood Door Deadlock. These turns mount easily to door pull or other trim plate using push-nut mounting. The 1004 Turn has a longer, more ergonomically-friendly turn lever, the 1015 Turn is available for wood door applications with the 5017 Wood Door Deadlock.

3090 KEYLESS ENTRY

A battery-operated keyless entry control device, the eForce-150 3090 Keyless Entry provides access control for Adams Rite deadlocks, deadlatches, and exit devices for aluminum stile, steel, and wood door applications.

The eForce 3090P (Prox) and 3090C (iCLASS) Keyless Entries provide maximum security with either HID® Prox or iCLASS contactless card reader.

4550 DEADLOCK LEVER

The 4550 MS Deadlock Lever easily unlocks an MS Deadlock with approximately 3 pounds of downward force. The spring-loaded lever relocks with an upward motion. Can be installed in place of existing key cylinder or cylinder type thumbturn on inside of door.

DEADLATCH PADDLE

The 4590, 4591 Deadlatch Paddle is an ergonomically-friendly alternative to a knob or lever handle. Operate the MS+1890 Deadlock/Latch or 2190, 2290 Interconnected Deadbolt/Deadlatch with a simple push or pull.

Steel Hawk 4300 Electrified Deadlatch (eLatch)



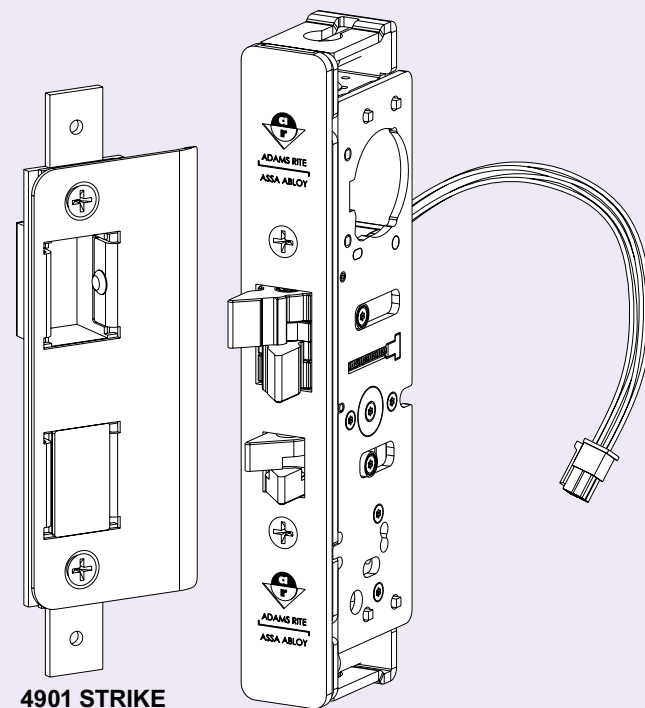
ALUMINUM

ELECTRIFIED
PRODUCTGRADE 1
E8231

The Steel Hawk 4300 Electrified Deadlatch (eLatch) combines non-handed, narrow backset, mechanical locking hardware with electrified access control.

Function

The 4300 eLatch combines mechanical locking hardware with electrified access control while working within standard aluminum entrance door preparations. Always operable from the inside via handle or paddle device. Entry via keyed mortise cylinder or access control element. Fail-secure lock with optional form "C" latch status monitor. The standard 4300 operates on 12, 16, or 24 volt DC power and is rated for continuous duty. Units are equipped with a quick connect plug-in type connector. Interchangeable without stile modification for MS® Deadlocks or 4500 and 4900 Deadlatches. 1-3/4" minimum door thickness required.



4901 STRIKE

Operation

Turn key, apply voltage, or operate handle or paddle to release the spring-loaded latchbolt. Electrically-rated for continuous duty for timed applications. Interface with access control. Uses any standard mortise cylinder with MS® cam.

Specifications

CYLINDER BACKSET

- 31/32", 1-1/8", and 1-1/2".

CASE

- Measures 15/16" x 5-13/16" x depth. Depth varies by backset (see table on back of page). Steel with corrosion-resistant plating.

LATCHBOLT

- 5/8" x 1" x 5/8" throw. Stainless steel.

AUXILIARY BOLT

- All metal. Deadlocks latchbolt to prevent "loiding" or case-knife entry.

FACEPLATES

- Measures 1" x 6-7/8". Both flat and radius faceplates are supplied. Flat faceplates can also be adjusted in the field for right or left beveled edge doors.

VOLTAGE

- Field-selectable to match power source of 12, 16, or 24 VAC/VDC

CURRENT DRAW/AMPS

VOLTS	DC CONTINUOUS
12	0.44
16	0.458*
24	0.23

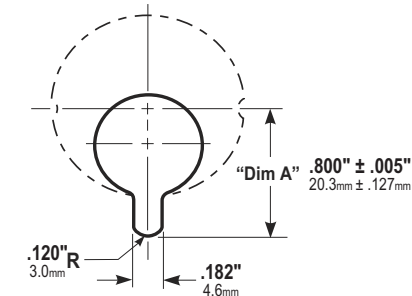
*Required 16 VDC adapter (P/N VA 7400-16VDC)

STRIKES

- Pick from optional strikes. 4304 no-cut surface mounted strike for easy retrofits. Specify mortised-flush version 4901 when covering existing MS® deadlock preparation or for new applications. 4901 is available with radius profiles for pairs of doors and with extended lips of center-hung or thick door applications doors.

CYLINDER CAM

- 4300 Electrified Deadlatches are operable by any standard 1-5/32" diameter mortise cylinder with MS® cam dimensioned as shown. Cylinders with MS cams can be readily obtained from most cylinder manufacturers. See CYLINDERS section for cylinder make, thumbturn and trim ring information.



OPTIONS

- Backset, strike, and finish must be specified when ordering. Please select monitoring option if request to exit (REX) is required. If selected, an external request to exit (REX) feature in exit trim is not required with the 4300 Electrified Deadlatch.

STANDARD PACKAGE

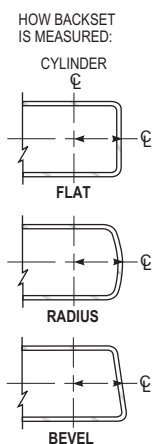
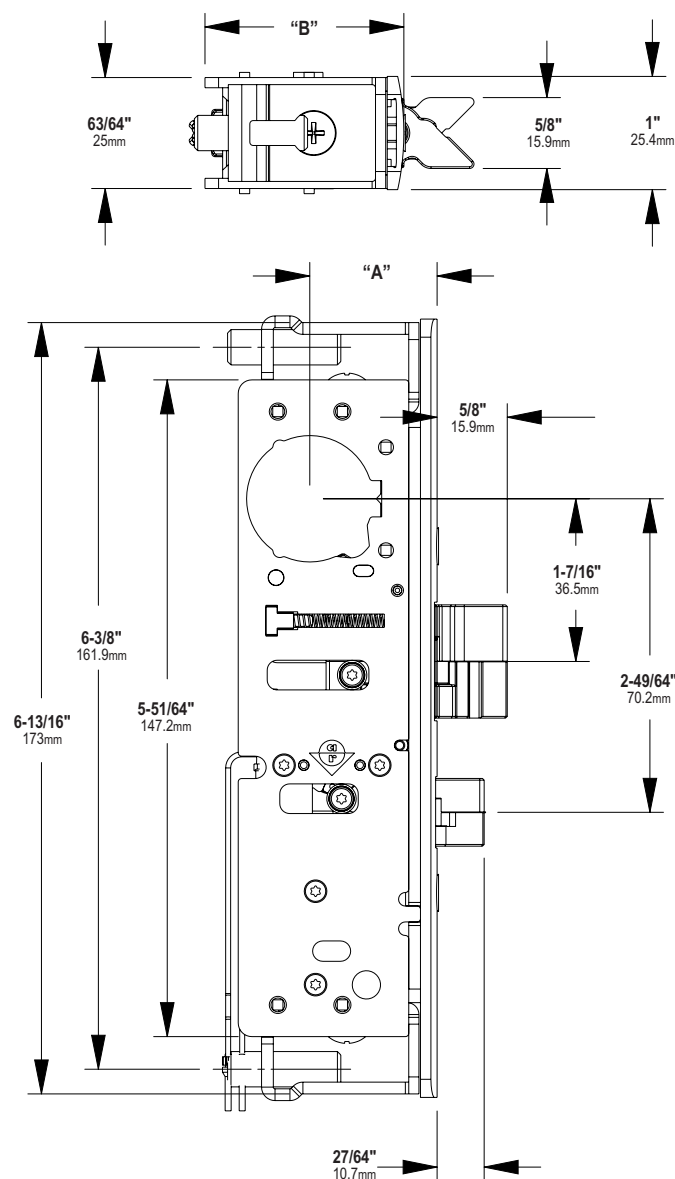
- Individually boxed with flat and radius faceplates, strike, and machine screws for mounting. Supplied with universal cam plug 4581 to work with specified handles or paddle operators. Cylinder, paddle, or handle available separately. Shipping weight: 1-1/4lbs.

RITE Pack®

- The Steel Hawk 4300 RITE Pack conveniently pairs the non-handed, narrow backset, electrified deadlatch with the flexibility of multiple faceplates in a single, simple package.
- The RITE Pack includes one electrified deadlatch and four faceplates.
 - 2 flat faceplates: one clear (628) and one dark bronze anodized finish (313)
 - 2 radius faceplates: one clear (628) and one dark bronze anodized finish (313)

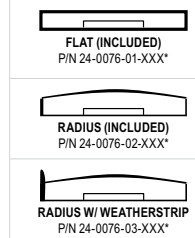
All measurements are approximate and are provided for informational purposes only. Refer to the product Installation Instructions.

Dimensions



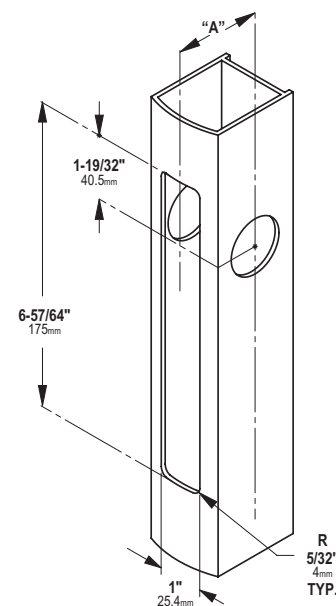
BACKSET A	DIM. B
31/32" 24.6mm	1-19/32" 40.5mm
1-1/8" 28.6mm	1-49/64" 44.8mm
1-1/2" 38.1mm	2-9/64" 54.4mm

ARMORED FACEPLATE
1" X 6-7/8"



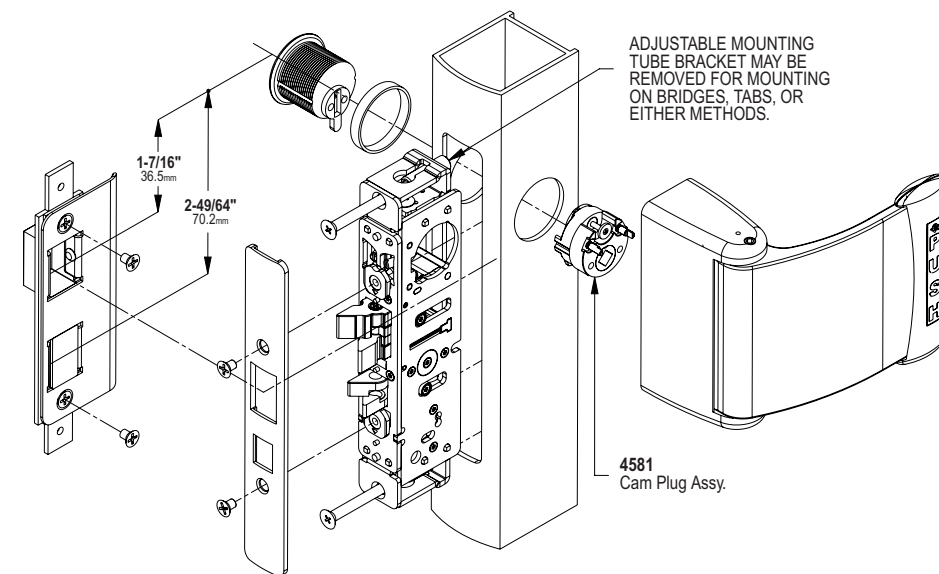
FLAT FACEPLATE CAN BE ADJUSTED FOR RIGHT OR LEFT BEVELED EDGE DOORS. RADIUS WEATHERSTRIP IS OPTIONAL.

Stile Preparation



ADJUSTABLE MOUNTING TUBE BRACKET MAY BE REMOVED FOR MOUNTING ON BRIDGES, TABS, OR EITHER METHODS.

Latch, Paddle & Cylinder Installation



HOW TO ORDER STEEL HAWK 4300 ELECTRIFIED DEADLATCH (ELATCH)

Specify quantity and the following information. Order related products separately.

Product No.	BACKSET	MONITORING	STRIKE	STIRKE SHAPE/LIP LENGTH	FACEPLATE FINISH
4300	-3	M	-2	01	-628
	2 31/32"	0 None	1 Surface Mount (4304)	01 Flat/Standard Jamb	313 Dark Bronze Anodized
	3 1-1/8"	M Monitored	2 Mortised (4901) 4-5/8"	02 Radius/Standard Stiles**	335 Black Anodized
	4 1-1/2"			17 Flat/Center Hung 4" Jamb**	628 Clear Anodized
				21 Flat/Center Hung 4-1/2" Jamb**	

** See ACCESSORIES for available 4901 strike options

4300 STEEL HAWK RITE PACK

Specify quantity and the following information. Order related products separately.

Product No.	BACKSET	MONITORING	STRIKE	RITE Pack
4300	-3	0	-1	RP
	2 31/32"	0 None	1 Surface Mount (4304)	
	3 1-1/8"		2 Mortised (4901) 4-5/8"	

RELATED PRODUCTS When purchasing this product, please consider the following related products, available separately:

Accessories	Cylinders	Trim	Power
Lock mounting accessories and options.	4300 Electrified Deadlatch is operable by any standard 1-5/32" diameter mortise cylinder with MS® cam.	Entry trim, paddles and handles.	4605 Transformer, 4603 Rectifier, PS-1, and 4612 Power Transfer Device.

4510 Standard Duty Deadlatch



ALUMINUM

GRADE 1
E8231

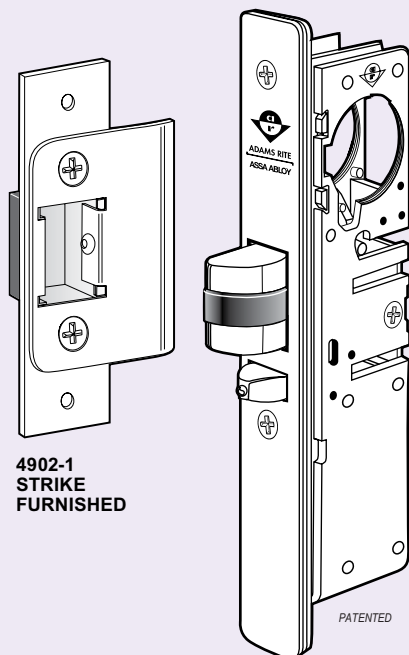
4510 Standard Duty Deadlatches provide flexible traffic control during and after business hours.

Function

The 4510 Standard Duty Deadlatch offers flexibility of traffic control during and after business hours. A reverse turn of the key while the bolt is held retracted retains the bolt to allow two-way traffic for hospitals, banks, stores, and other buildings which require free entrance at certain times and exit-only at other times. Interchangeable, without stile modification, with any MS1850A or MS1850S Deadlock of same backset and faceplate shape. Does not, however, provide the same maximum security level as the MS® Deadlock.

Operation

Turn key or operate handle to retract spring-loaded Latchbolt. To hold bolt retracted, push it in and secure by reverse turn of key. Uses any standard mortise cylinder with MS® dimensioned cam.



4902-1
STRIKE
FURNISHED

PATENTED

Specifications

BOLT HOLDBACK

- While bolt is held fully retracted, a reverse turn of the key retains the bolt, allowing the door to be free swinging.

CYLINDER BACKSET

- 7/8", 31/32", 1-1/8" or 1-1/2" only.

CASE

- Measures 1" x 5-13/16" x depth. Depth varies by backset (see table on back of page). Steel with corrosion-resistant plating.

LATCHBOLT

- 1/2" x 1" x 1/2" throw. All metal with hardened steel internal pins. Handing is reversible without special tools.

AUXILIARY BOLT

- All metal. Deadlocks latchbolt to prevent "loiding" or case-knife entry.

FACEPLATE

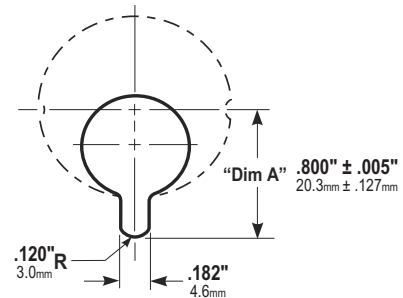
- Measures 1" x 6-7/8".

STRIKES

- Standard strike furnished is 4902-01 for flat jamb where door closes flush or nearly flush. Available separately: radius strike for opposite stile in paired doors; longer strike (4901) to cover slot strike of MS lock; long lip strikes for centerhung doors.

CYLINDER CAM

- 4510 Standard Duty Deadlatches are operable by any standard 1-5/32" diameter mortise cylinder with MS® cam dimensioned as shown. Cylinders with MS® cams can be readily obtained from most cylinder manufacturers. See CYLINDERS section for cylinder make, thumbturn and trim ring information.

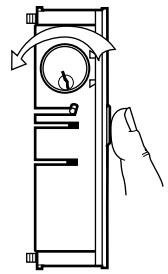


OPTIONS

- Backset, faceplate shape, strike, handing, and finish must be specified when ordering.

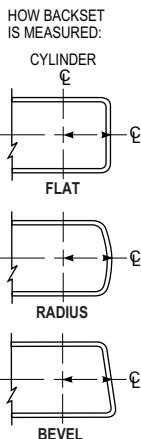
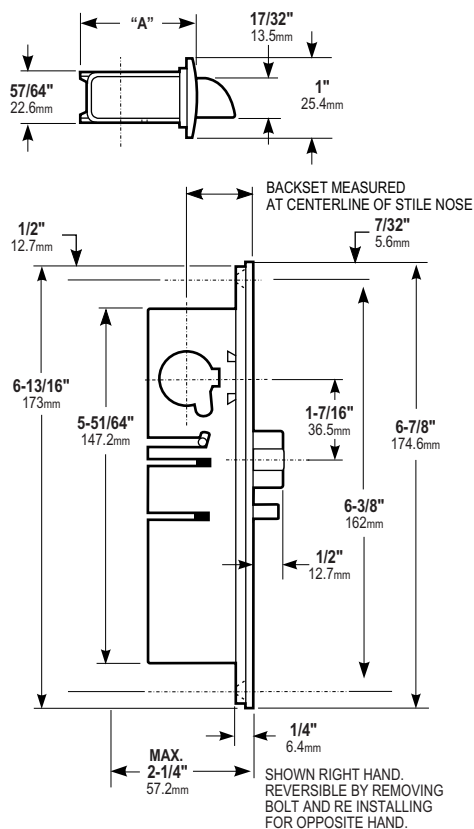
STANDARD PACKAGE

- Individually boxed with strike, and machine screws for mounting. Cylinders, paddles, and handles available separately. Shipping weight: 1-1/4 lbs. Also available in a 25-unit pack for volume customers.



All measurements are approximate and are provided for informational purposes only. Refer to the product Installation Instructions.

Dimensions

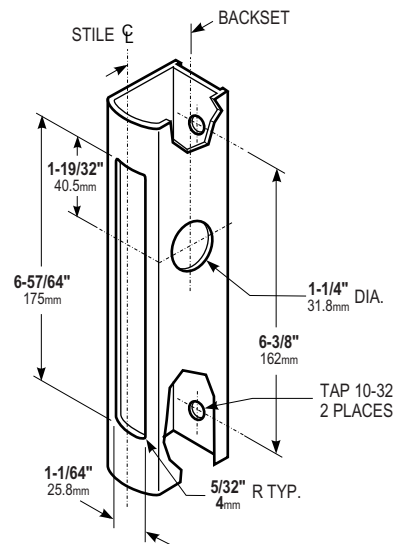


BACKSET	"A"
7/8" 22.2mm	1-33/64" 38.5mm
31/32" 24.6mm	1-19/32" 40.5mm
1-1/8" 28.6mm	1-49/64" 44.8mm
1-1/2" 38.1mm	2-9/64" 54.4mm

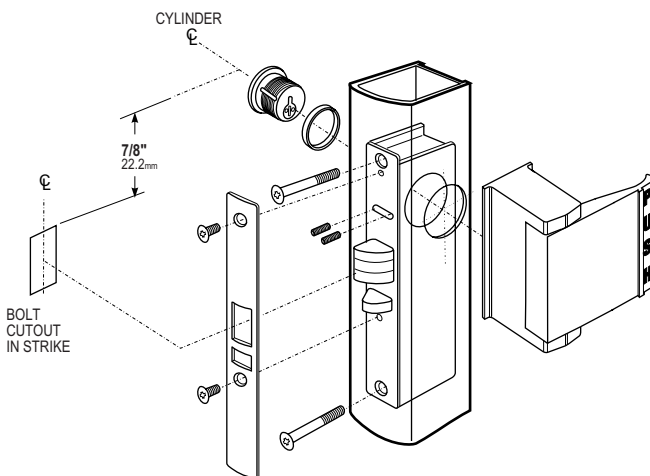
ARMORED FACEPLATE 1" X 6-7/8"
FLAT 4510
RADIUS 4511
RADIUS W/ WEATHERSTRIP 4511W
LH BEVEL 4512-X5
RH BEVEL 4512-x6

Stile Preparation

Identical to MS 1850A Series (See also prep for 4590 Paddle)



Latch Paddle & Cylinder Installation



HOW TO ORDER 4510 STANDARD DUTY DEADLATCH

Specify quantity and the following information. Order related products separately.

Product No.	FACEPLATE	BACKSET	HANDING	STRIKE SIZE	STRIKE SHAPE/LIP LENGTH	FACEPLATE FINISH
451	1	-3	6	-2	01	-628
	0 Flat	1 7/8"	5 LH or RHR	1 Mortised (4901) 4-5/8"	01 Flat/Standard Jamb	313 Dark Bronze Anodized
	1 Radius	2 31/32"	6 RH or LHR	2 Mortised (4902) 2-5/8"	02 Radius/Standard Stiles	335 Black Anodized
	1W Radius with weatherstrip	3 1-1/8"			17 Flat/Center Hung 4" Jamb	628 Clear Anodized
	2 Bevel	4 1-1/2"			21 Flat/Center Hung 4-1/2" Jamb	

RELATED PRODUCTS When purchasing this product, please consider the following related products, available separately:

Accessories

Lock mounting accessories and options.

Cylinders

4510 Standard Duty Deadlatches are operable by any standard 1-5/32" diameter mortise cylinder with MS® cam.

Trim

Entry trim, paddles, handles and lever operators.

Electric Strikes

Application specific.

4530 Standard Duty Deadlatch



ALUMINUM

GRADE 1
E8231

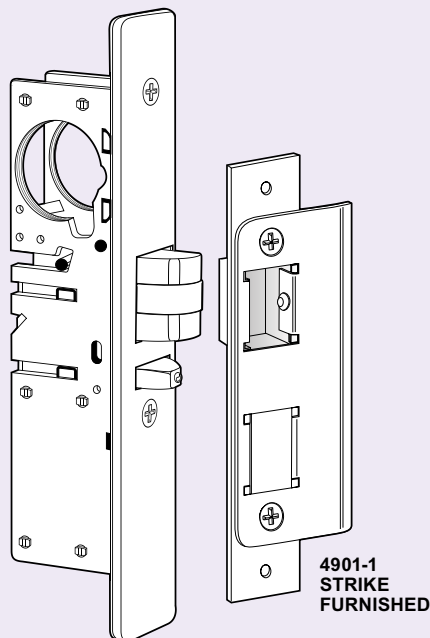
4530 Standard Duty Deadlatches provide flexible traffic control during and after business hours. Designed to retrofit into the prep of older MS1850 Deadlocks and 4250 Deadlatches.

Function

The 4530 Standard Duty Deadlatch offers flexibility of traffic control during and after business hours. A reverse turn of the key while the bolt is held retracted retains the bolt to allow two-way traffic for hospitals, banks, stores, and other buildings which require free entrance at certain times and exit-only at other times. 4530 Deadlatches are designed to fit without alteration, the stile cutout for older MS1850 Deadlocks and discontinued 4250 Deadlatches of same backset.

Operation

Turn key or operate handle to retract spring-loaded Latchbolt. To hold bolt retracted, push it in and secure by reverse turn of key. Uses any standard mortise cylinder with MS® dimensioned cam.



Specifications

BOLT HOLDBACK

- While bolt is held fully retracted, a reverse turn of the key retains the bolt, allowing the door to be free swinging.

CYLINDER BACKSET

- 7/8", 31/32", or 1-1/8" only.

CASE

- Measures 1" x 5-13/16" x depth. Depth varies by backset (see table on back of page). Steel with corrosion-resistant plating.

LATCHBOLT

- 1/2" x 1" x 1/2" throw. All metal with hardened steel internal pins. Handing is reversible without special tools.

AUXILIARY BOLT

- All metal. Deadlocks latchbolt to prevent "loiding" or case-knife entry.

FACEPLATE

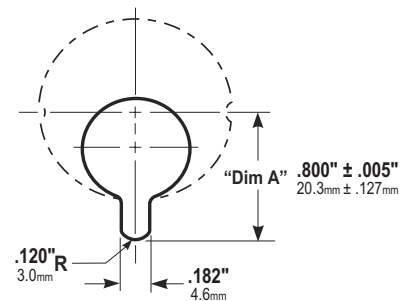
- Measures 1-1/4" x 7-13/32".

STRIKES

- Standard strike furnished is 4901-01 for flat jamb. For dimensions of this as well as radiused and/or short strikes see ACCESSORIES section of this catalog.

CYLINDER CAM

- 4530 Standard Duty Deadlatches are operable by any standard 1-5/32" diameter mortise cylinder with MS® cam dimensioned as shown. Cylinders with MS® cams can be readily obtained from most cylinder manufacturers. See CYLINDERS section for cylinder make, thumbturn and trim ring information.

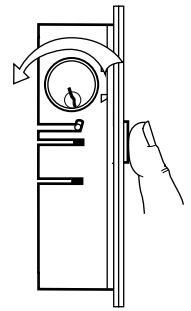


OPTIONS

- Backset, faceplate shape, strike, handing, and finish must be specified when ordering.

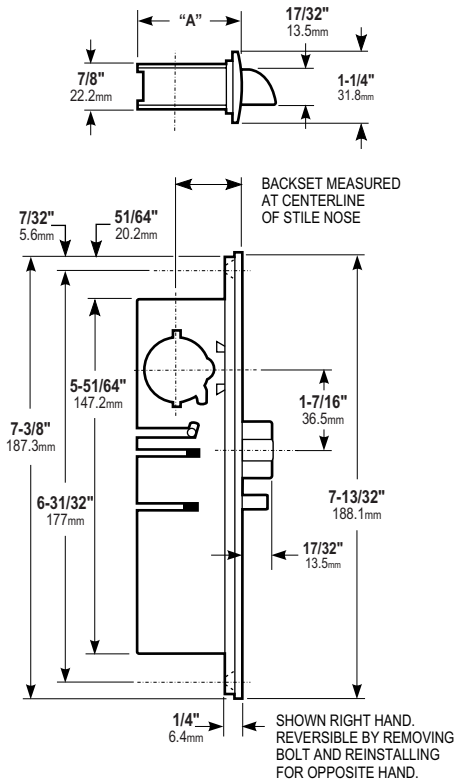
STANDARD PACKAGE

- Individually boxed with strike and machine screws for mounting. Cylinders, paddles, and handles available separately. Shipping weight: 1-1/4 lbs.

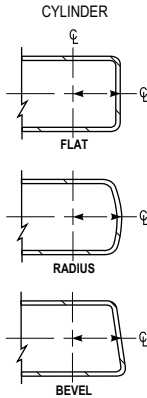


All measurements are approximate and are provided for informational purposes only. Refer to the product Installation Instructions.

Dimensions



HOW BACKSET IS MEASURED:



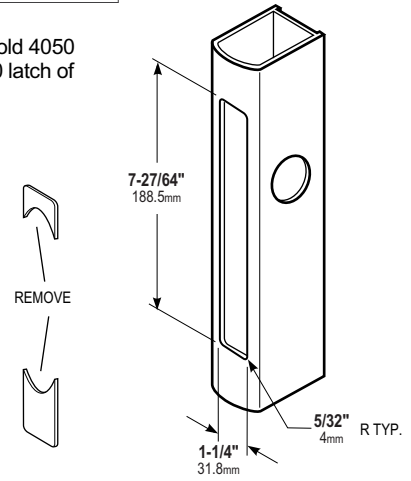
BACKSET	"A"
7/8" 22.2mm	1-33/64" 38.5mm
31/32" 24.6mm	1-19/32" 40.5mm
1-1/8" 28.6mm	1-49/64" 44.8mm

ARMORED FACEPLATE 1-1/4" X 7-13/32"
FLAT 4530
RADIUS 4531
LH BEVEL 4532-X5
RH BEVEL 4532-X6

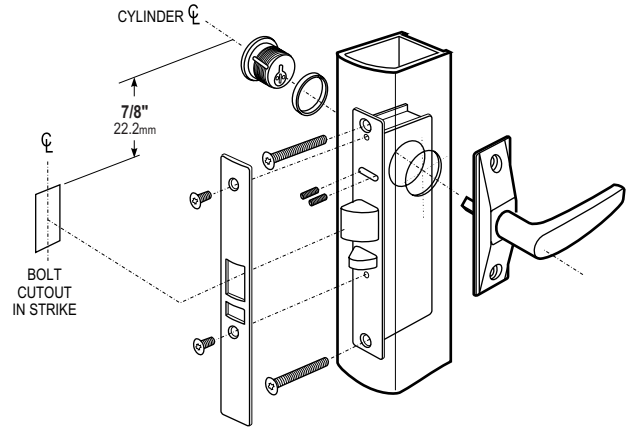
Stile & Jamb Preparation

To replace old MS1850 lock or 4250 latch of same backset:
NO PREPARATION REQUIRED

To replace 4070 lock, old 4050 latch, 970 lock or 1450 latch of same backset:



Latch Paddle & Cylinder Installation



HOW TO ORDER 4530 STANDARD DUTY DEADLATCH

Specify quantity and the following information. Order related products separately.

Product No.	FACEPLATE	BACKSET	HANDING	STRIKE SIZE	STRIKE SHAPE/LIP LENGTH	FACEPLATE FINISH
453	1	-3	6	-1	01	-628
	0 Flat	1 7/8"	5 LH or RHR	1 Mortised (4901) 4-5/8"	01 Flat/Standard Jamb	313 Dark Bronze Anodized
	1 Radius	2 31/32"	6 RH or LHR	2 Mortised (4902) 2-5/8"	02 Radius/Standard Stiles	335 Black Anodized
	2 Bevel	3 1-1/8"			17 Flat/Center Hung 4" Jamb	628 Clear Anodized
					21 Flat/Center Hung 4-1/2" Jamb	

RELATED PRODUCTS When purchasing this product, please consider the following related products, available separately:

Accessories

Lock mounting accessories and options.

Cylinders

4530 Standard Duty Deadlatches are operable by any standard 1-5/32" diameter mortise cylinder with MS® cam.

Trim

Entry trim, paddles, handles and lever operators.

Electric Strikes

Application Specific.

4781 Two-Point Deadlatch with Paddle

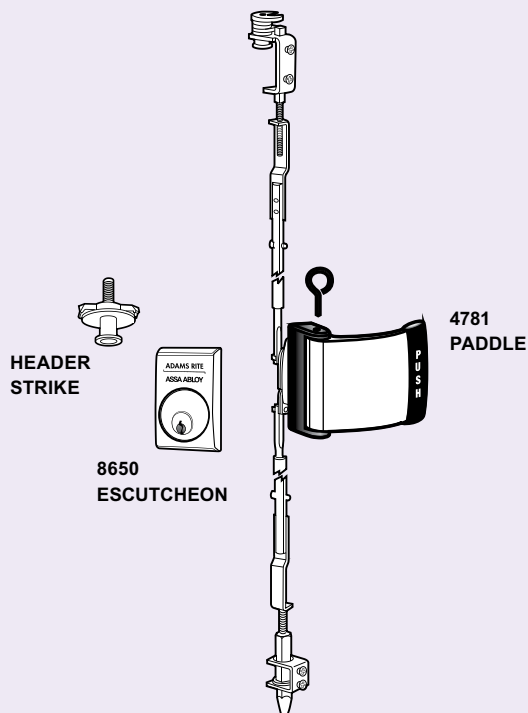


ALUMINUM

The 4781 Two-Point Deadlatch latches to header and threshold allowing both door leaves to remain active. It is designed for paired outswinging narrow stile doors, but is also suitable for single doors.

Function

Designed for paired outswinging narrow stile doors but also suitable for single doors. Instead of operating a conventional horizontal-throw latchbolt, the 4781 Two-Point Deadlatch latches to header and threshold. This allows both door leaves to be "active". There is no need to pin one door with flushbolts or other devices. The paddle is a modified version of the 4591 Deadlatch Paddle (see TRIM) and the concealed vertical rod mechanism is the same as used in Adams Rite's 8600 Series Exit Devices (see EXIT DEVICES). Note, however, that the 4781 Two-Point Deadlatch is not intended to substitute for an exit device, which must have a door-spanning bar.



Inside Operation

Push paddle to unblock top bolt and withdraw bottom bolt. Continuing to push will open the door in a very natural, ergonomically-friendly motion. Paddle stroke is approximately 1-1/2" at extreme end. Rod adjustment allows paddle (centerline) to be mounted at any height from 30 to 44 inches above the finished floor.

Outside Operation

If key entry operation is required, any standard mortise cylinder with MS® cam can be installed through an 8650 Cylinder Escutcheon. Any of the entry trim available with Adams Rite exit devices can be specified, in the version used for CVR devices.

Specifications

PADDLE DOGGING

- Turning hex screw in paddle escutcheon holds paddle down, leaving door free-swinging.

TOP BOLT

- Similar to door latches on some automobiles and aircraft, the U-shaped bolt wraps around the strike post to deadlock position, which also deadlocks the bottom bolt through a gear train at the center of the rod assembly.

HEADER STRIKE

- A flanged post installed on the header has generous location adjustment to allow for door misalignment, sag, bumpers, etc. Designed to prevent forced entry by bowing the door.

BOTTOM BOLT

- Stainless hexagonal steel bolt requires only a 1/2" diameter hole in threshold for a strike.

DOOR SIZE

- Standard unit will fit doors up to 66" above the paddle height (110" door if paddle is at max 44" height). For taller doors, order 8655 Tall Door Kit, which allows up to 97" above paddle.

OPTIONS

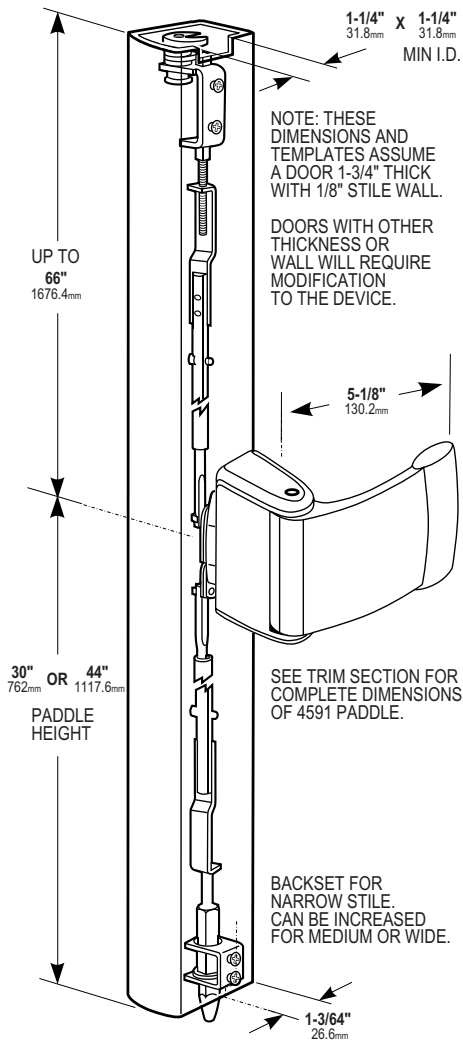
- Can be exit only or allow key access from outside with use of 8650 Cylinder Escutcheon. Entry trim available with Adams Rite exit devices can also be specified, in the version used for CVR devices.

STANDARD PACKAGE

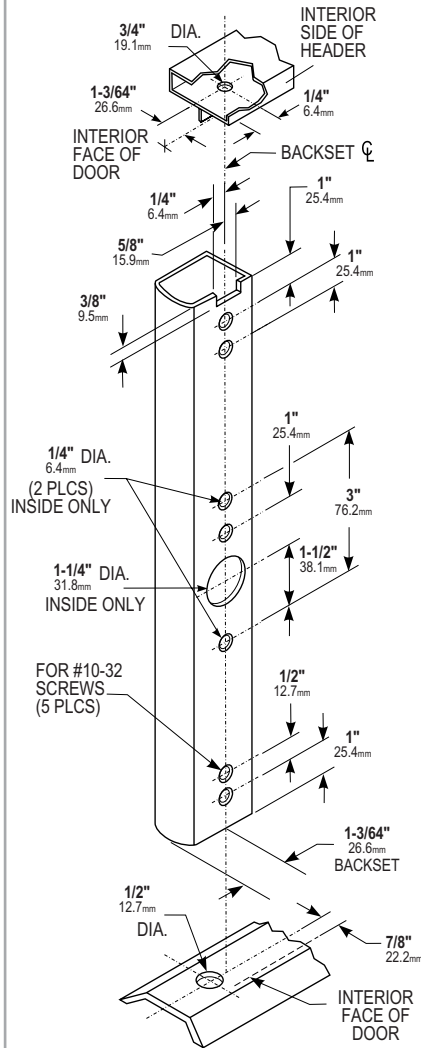
- Individually boxed with mounting screws and installation instructions. Shipping weight: 3 lbs.

All measurements are approximate and are provided for informational purposes only. Refer to the product Installation Instructions.

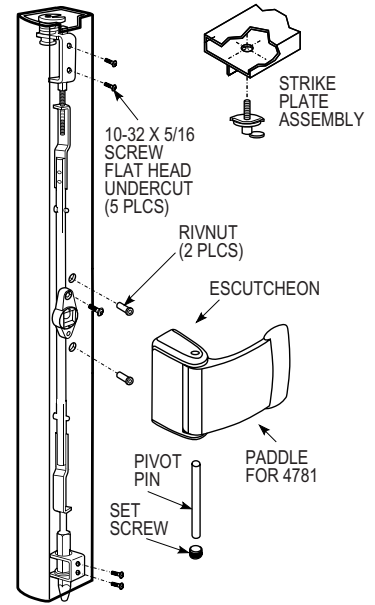
Dimensions



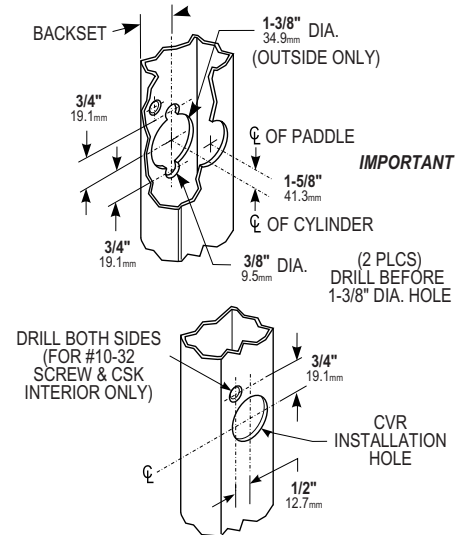
Door Preparation



Installation



Door Preparation WITH 8650 ESCUTCHEON*



*Other cylinder escutcheons for use with 17mm profile cylinders (in 44 or 55mm thick doors only) are also available and require different door prep than shown.

HOW TO ORDER 4781 TWO-POINT DEADLATCH

Specify quantity and the following information. Order related products separately.

Product no.	OPERATION	PADDLE FINISH
4781	T -021	-628
T Top rod only	021 Push to LEFT	313 Dark Bronze Anodized US3 Bright Brass
- Standard rod	041 Push to RIGHT	335 Black Anodized US26 Bright Chrome
		628 Clear Anodized US26D Satin Chrome

RELATED PRODUCTS

When purchasing this product, please consider the following related products, available separately:

Accessories

- 8650 Cylinder Escutcheon.
- 8655 Tall Door Kit.

Cylinders

- 4781 Two-Point Deadlatch is operable by any standard 1-5/32" diameter mortise cylinder with MS® cam.
- 4036 Mortise Cylinder.

Special Order Options

- 3080 Entry Trim.

4900 Heavy Duty Deadlatch



ALUMINUM

GRADE 1
E8231

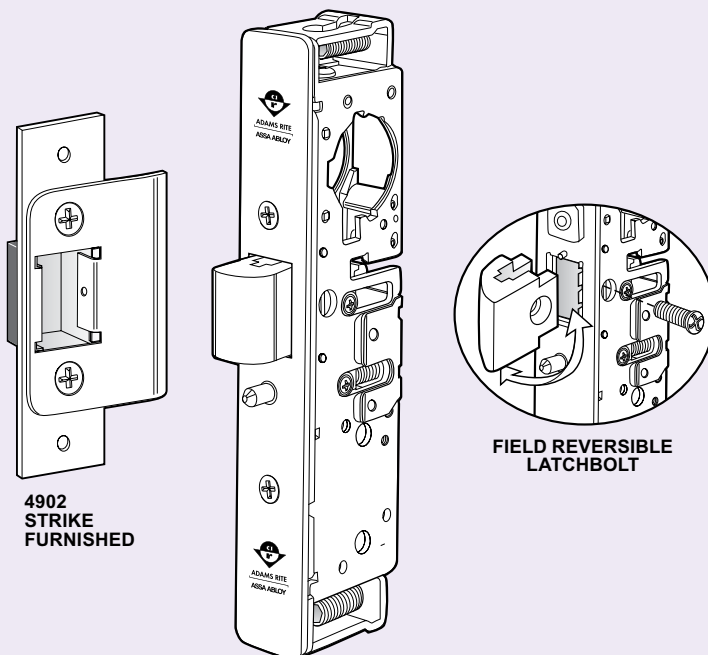
4900 Heavy Duty Deadlatch provides flexible traffic control and easy installation.

Function

Flexibility of traffic control and installation is offered by 4900 Heavy Duty Deadlatches. A reverse turn of the key while bolt is held retracted retains the bolt, to allow two-way traffic for applications which require free entrance at certain times and exit-only at other times. Interchangeable, without stile modification, with any MS1850A or MS1850S deadbolt of same backset and faceplate shape. Also retrofits to existing 4500 and 4700 Deadlatch preparations. 1-3/4" minimum door thickness required.

Operation

Turn key or operate handle or paddle to retract spring-loaded Latchbolt. To hold bolt retracted, push it in and secure by reverse turn of key. Uses any standard 1-5/32" mortise cylinder with MS® dimensioned cam.



4902
STRIKE
FURNISHED

FIELD REVERSIBLE
LATCHBOLT

Specifications

BOLT HOLDBACK

- While bolt is held fully retracted, a reverse turn of the key retains the bolt, allowing the door to be free swinging.

CYLINDER BACKSET

- 31/32", 1-1/8", or 1-1/2".

CASE

- Measures 7/8" x 5-13/16" x depth. Depth varies by backset (see table on back of page). Steel with corrosion-resistant plating. Screw-fastened tube spacer brackets allow for cleaner removal when tab mounting.

LATCHBOLT

- 5/8" x 1" x 5/8" throw. Solid brass. Handing is easily reversible using only a screwdriver.

AUXILIARY LATCHPIN

- Stainless steel. Deadlocks Latchbolt to prevent "loiding" or case-knife entry.

FACEPLATES

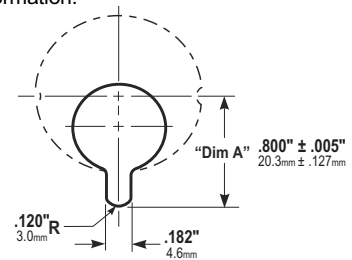
- Measures 1" x 6-7/8". Both flat and radius faceplates are supplied. Flat faceplates can also be adjusted in the field for right or left beveled edge doors.

STRIKES

- Standard strike furnished is 4902 for flat jamb where door closes flush or nearly flush. Specify 4901 for retrofit installations. Also available: radius strike for opposite stile in paired doors and long lip strikes for centerhung doors.

CYLINDER CAM

- 4900 Heavy Duty Deadlatches are operable by any standard 1-5/32" diameter mortise cylinder with MS® cam dimensioned as shown. Cylinders with MS® cams can be readily obtained from most cylinder manufacturers. See CYLINDERS section for cylinder make, thumbturn and trim ring information.

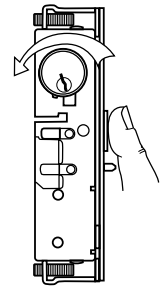


OPTIONS

- Backset, strike, and finish must be specified when ordering. See 4920AN Heavy Duty Deadlatch (ANSI Size) for wood and hollow metal door applications.

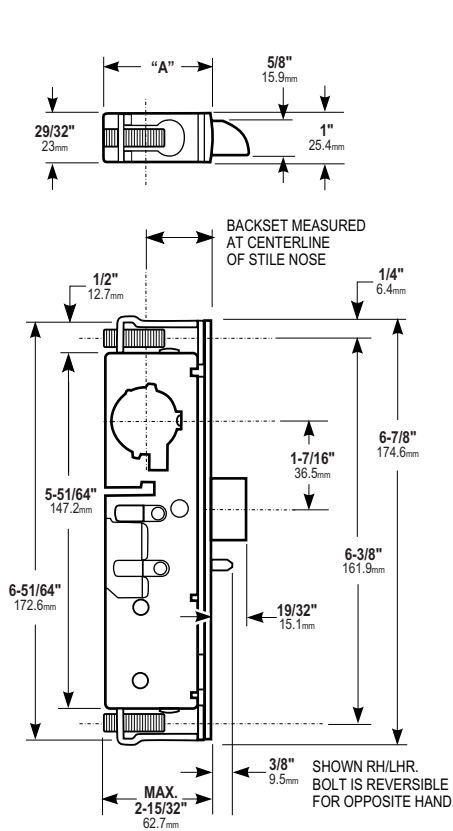
STANDARD PACKAGE

- Individually boxed with flat and radius faceplates, strike, and machine screws for mounting. Order cylinders, paddles, handles, or lever operators separately. Shipping weight: 1-1/4 lbs.



All measurements are approximate and are provided for informational purposes only. Refer to the product Installation Instructions.

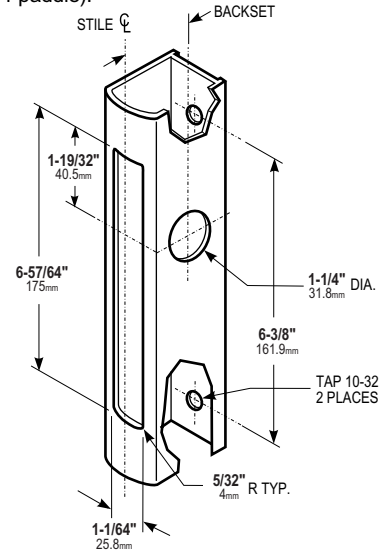
Dimensions



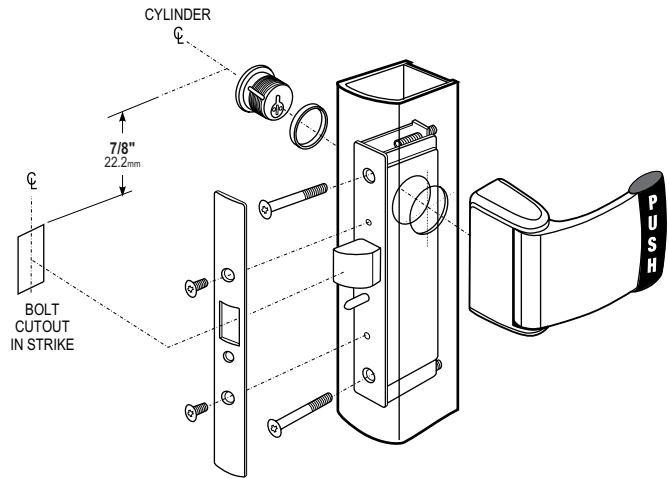
BACKSET	"A"
31/32" 24.6mm	1-5/8" 41.3mm
1-1/8" 28.6mm	1-49/64" 44.8mm
1-1/2" 38.1mm	2-9/64" 54.4mm

Stile Preparation

Identical to MS1850A or MS1850S Series (See also prep for 4591 paddle).



Latch Paddle & Cylinder Installation



HOW TO ORDER 4900 HEAVY DUTY DEADLATCH

Specify quantity and the following information. Order related products separately.

Product No.	Faceplate	BACKSET	HANDING	STRIKE SIZE	STRIKE SHAPE/LIP LENGTH	FACEPLATE FINISH
49	00	-3	5	-2	01	-628
	00 Standard	2 31/32"	5 LH or RHR	1 Mortised (4901) 4-5/8"	01 Flat/Standard Jamb	313 Dark Bronze Anodized
	11W Radius w/Weatherseal	3 1-1/8"	6 RH or LHR	2 Mortised (4902) 2-5/8"	02 Radius/Standard Stile	335 Black Anodized
		4 1-1/2"			17 Flat/Center Hung 4" Jamb	628 Clear Anodized
					21 Flat/Center Hung 4-1/2" Jamb	

RELATED PRODUCTS When purchasing this product, please consider the following related products, available separately:

Accessories

Lock mounting accessories and options.

Cylinders

4900 Heavy Duty Deadlatches operable by any standard 1-5/32" diameter mortise cylinder with MS® cam.

Trim

Entry trim, paddles, handles and lever operators.

Electric Strikes

Application specific.

4920AN Heavy Duty Deadlatch (ANSI Size)



HOLLOW
METAL



WOOD

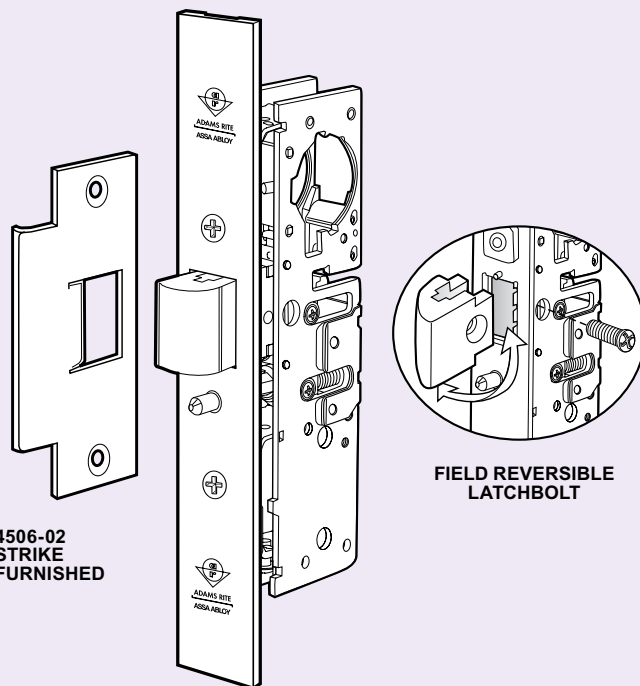


GRADE 1
E8231

4920AN Heavy Duty Deadlatch provides flexible traffic control and easy installation for wood or hollow metal doors.

Function

For hollow metal or wood doors prepared for hardware according to the specifications of the American National Standards Institute (ANSI), 4920AN Heavy Duty Deadlatches provide precise traffic control. A key-controlled bolt hold-back feature allows a door to free-swing part of the day and exit-only when the bolt is free to latch. This allows a "locked" entrance to be used as an exit by customers or visitors already in the building. Interchangeable, without door modification, with any MS1850SN Deadlock of same faceplate shape and backset. Replaces 4520 and 4720 ANSI Deadlatches. 1-3/4" minimum door thickness required.



Operation

Turn key or operate handle to retract spring-loaded Latchbolt. To hold bolt retracted, push it in and secure by reverse turn of key. Uses any standard mortise cylinder with MS® dimensioned cam.

Specifications

BOLT HOLDBACK

- While bolt is held fully retracted, a reverse turn of the key retains the bolt, allowing the door to be free swinging.

CYLINDER BACKSET

- 1-1/2" or 2-3/4" only.

CASE

- Measures 7/8" x 5-13/16" x depth. Depth varies by backset (see table on back of page). Steel with corrosion-resistant plating.

LATCHBOLT

- 5/8" x 1" x 5/8" throw. Solid brass. Handing is easily reversible using only a screwdriver.

AUXILIARY LATCHPIN

- Stainless steel. Deadlocks latchbolt to prevent "loiding" or case-knife entry.

FACEPLATE

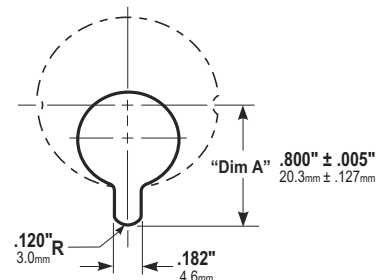
- 1-1/4" x 8" armored flat faceplate can also be adjusted in the field for right or left beveled edge doors.

STRIKES

- Stainless steel, US32D Satin finish (630). 4506-02 Strike furnished to ANSI preparation specifications for flat jamb.

CYLINDER CAM

- 4920AN Heavy Duty Deadlatches are operable by any standard 1-5/32" diameter mortise cylinder with MS® cam dimensioned as shown. Cylinders with MS® cams can be readily obtained from most cylinder manufacturers. See CYLINDERS section for cylinder make, thumbturn and trim ring information.

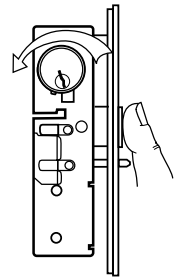


OPTIONS

- Backset, strike, and finish must be specified when ordering. See 4900 Heavy Duty Deadlatch for aluminum stile door applications.

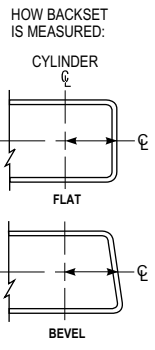
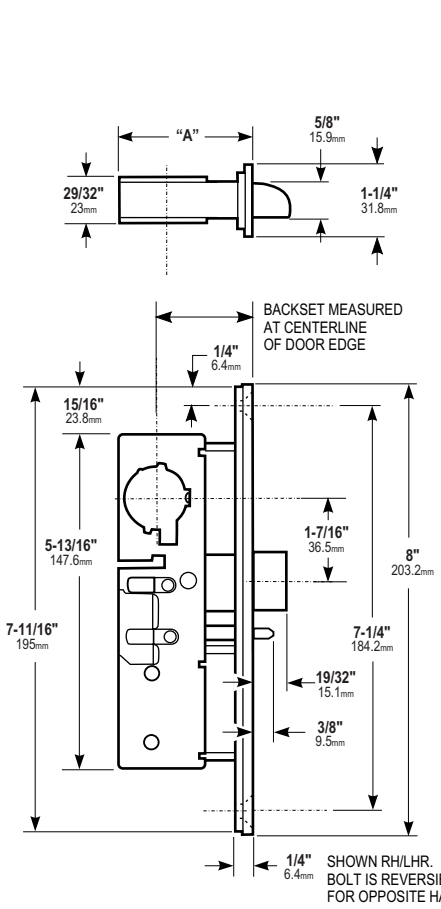
STANDARD PACKAGE

- Individually boxed with faceplate, strike, and machine screws for mounting. Order cylinders, paddles, handles or lever operators separately. Shipping weight: 1-1/4 lbs.

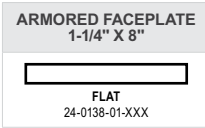


All measurements are approximate and are provided for informational purposes only. Refer to the product Installation Instructions.

Dimensions Nominal, subject to tolerance extremes



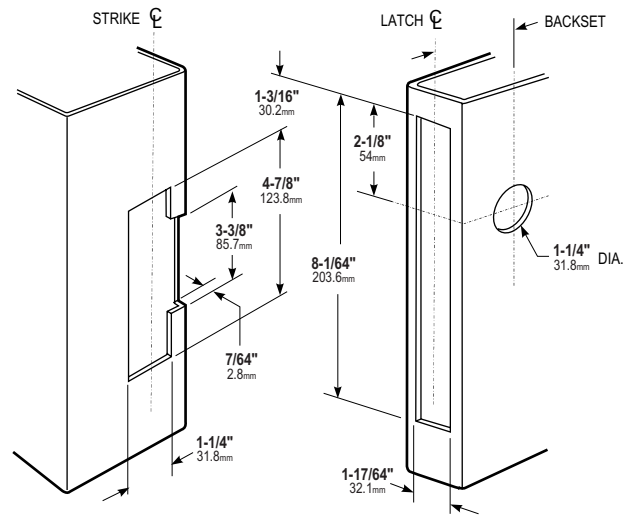
BACKSET	"A"
1-1/2" 38.1mm	2-9/64" 54.4mm
2-3/4" 69.9mm	3-25/64" 86.1mm



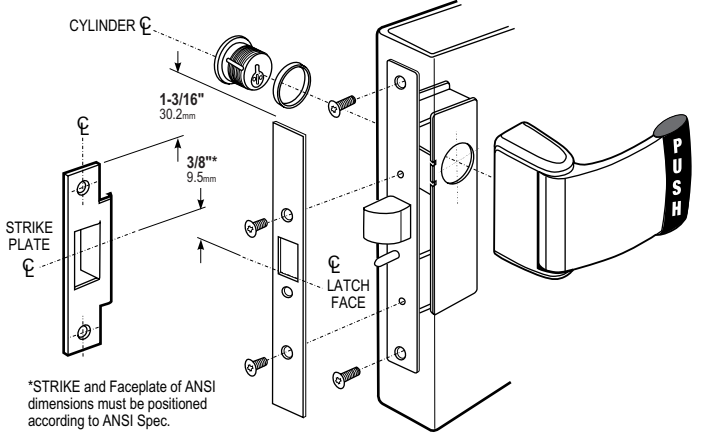
Flat faceplate can be adjusted for right or left beveled edge doors.

Jamb & Door Preparation

Identical to MS1850SN Series
(See also prep for 4591 paddle).



Latch Paddle & Cylinder Installation



*STRIKE and Faceplate of ANSI dimensions must be positioned according to ANSI Spec.

HOW TO ORDER 4920AN HEAVY DUTY DEADLATCH (ANSI SIZE)

Specify quantity and the following information. Order related products separately.

Product No.	BACKSET	HANDING	STRIKE	FACEPLATE FINISH
4920AN	4	6	-602	-313
	4 1-1/2"	5 LH or RHR	000 Less Strike	313 Dark Bronze Anodized
	5 2-3/4"	6 RH or LHR	602 4506 Strike	335 Black Anodized
				628 Clear Anodized

RELATED PRODUCTS When purchasing this product, please consider the following related products, available separately:

<p>Accessories</p> <p>Lock mounting accessories and options.</p>	<p>Cylinders</p> <p>4920AN Heavy Duty Deadlatches (ANSI Size) operable by any standard 1-5/32" diameter mortise cylinder with MS® cam.</p>	<p>Trim</p> <p>Entry trim, paddles, handles and lever operators.</p>	<p>Electric Strikes</p> <p>Application sepecific.</p>
---	---	---	--

Options & Accessories for Deadlatches

Adams Rite Deadlatches can be ordered with a variety of related products including strike plates, cylinder accessories, electric strikes and trim. Different deadlatches have different installation and cylinder requirements. Please refer to product pages for more information on all available deadlatch types, functions, installation requirements and complete How-to-Order guides.

For more detailed information on any of the products listed below please refer to the corresponding section of this catalog.

ACCESSORIES

4901, 4902 DEADLATCH STRIKES

4901, 4902 Deadlatch Strikes add aesthetics and finish to strike cutouts in jambs. These strikes offer a choice of mounting methods: a backup mounting plate included with the 4901 and 4902 allows installation flush in a hollow section jamb. 4506-02 ANSI strike available for wood or steel jambs.

CYLINDERS

4036 MORTISE CYLINDER

The 4036 Mortise Cylinder is a standard 1" long, 1-5/32" diameter cylinder that provides five-pin security with most Adams Rite locks or latches.

4066 THUMBTURN

The 4066 Thumbturn interchanges with standard 1-5/32" diameter mortise cylinder and operates locks or latches without a key.

MS4043 CYLINDER GUARD

The MS4043 Cylinder Guard is a hardened-steel, free-swiveling ring to protect cylinder from vandalism such as prying or twisting.

ELECTRIC STRIKES

7100, 7400 SERIES ELECTRIC STRIKES

The 7100 Series Electric Strikes and Ultraline 7400 Series Electric Strikes are designed for use with Adams Rite deadlatches or cylindrical locksets with a variety of latchbolt projections. An assortment of faceplate dimensions is available for use in hollow metal, wood or aluminum applications.

POWER

4603 RECTIFIER

Converts low voltage AC current to DC of same voltage. Installs in low voltage line between transformer and strike. Full wave bridge type. Rated 2 Amps. (200 PIV).

4605 TRANSFORMER

Converts 120VAC to 12VAC/24VAC. Rated 40 Volt-amp output assures plenty of power for strike release.

4606 TRANSFORMER

Converts 120VAC current to 24VAC. Plugs into standard wall outlet.

29-0218 PIEZO HORN

Provides for audible indication of when a DC strike is energized. Operates with 12 VDC, 16 VDC, or 24 VDC strikes.

4612 POWER TRANSFER DEVICE

The 4612 Power Transfer Device channels electrical wiring from the door frame into the door itself. This powers electric strikes, locks, exit bars, and more on door hung with butt-type hinges.

PS-1 POWER SUPPLY

One amp linear power supply with integrated battery backup circuitry for access control devices.

TRIM

3080 SERIES ENTRY TRIM

The Grade 1 3080 Series Entry Trim provides outside activation for doors with any type of Adams Rite deadlatch or exit device. The locked handle is protected from vandalism and forced entry with a breakaway clutching mechanism. For 4781 Two-Point Deadlatch with Paddle the entry trim available must be specified in the version used for CVR exit devices.

3090 KEYLESS ENTRY

A battery-operated keyless entry control device, the eForce-150 3090 Keyless Entry provides access control for Adams Rite deadlocks, deadlatches, and exit devices for aluminum stile, steel, and wood door applications.

The eForce 3090P (Prox) and 3090C (iCLASS) Keyless Entries provide maximum security with either HID® Prox or iCLASS contactless card reader.

DEADLATCH HANDLES

The 4560 and 4565 Deadlatch Handles and 4568 and 4569 Euro Deadlatch Handles easily unlock the 4300, 4500 and 4900 Series Deadlatches. These handles fit solidly into the cylinder hole of the latch.

DEADLATCH PADDLES

The 4590, 4591 Deadlatch Paddle is an ergonomically-friendly alternative to a knob or lever handle. Operate the 4300, 4500 and 4900 Series Deadlatches with a simple push or pull.

4600 HEAVY DUTY DEADLATCH HANDLE

The 4600 Heavy Duty Designer Deadlatch Handles are designed with a patented adjustable drive mechanism to operate the 4300, 4500, and 4900 Series Deadlatches.

1870 Cylinder-Operated Flushbolt

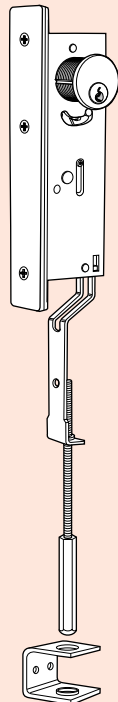


ALUMINUM

Designed for greater key control, the 1870 Cylinder-Operated Flushbolt for aluminum stile doors prevents accidental locking of the inactive leaf of paired doors.

Function

Designed for use instead of conventional flip-lever operated flushbolts, the 1870 Cylinder-Operated Flushbolt gives building management key control of the inactive leaf of paired doors. Prevents casual locking of the inactive leaf by children or other unauthorized persons. Uses same basic over-center action mechanism as MS® pivoted bolt deadlocks. Recommended for installation at both top and bottom of inactive door with MS1850S Deadlock in active door for greatest security. May be installed to lock at threshold or at header.



Operation

360° turn of key throws or retracts the hex-section bolt. Key can be removed only when bolt is in a positively locked or unlocked position. Accepts any standard 1-5/32" mortise cylinder from either or both sides. Cylinder must have MS® dimensioned cam (see CYLINDERS).

Specifications

CYLINDER BACKSET

- 31/32" or 1-1/8" only.

CYLINDER HEIGHT

- Standard length (cylinder center to retracted bolt tip) is 12" with ± 1-1/4" adjustment. Other lengths available by special order.

CASE

- Measures 1" x 6" x depth. Depth varies by backset (see table on back of page). Steel with corrosion-resistant plating.

BOLT

- Hexagonal 3/8" flat to flat, with 11/16" throw. Made of stainless steel.

STRIKE

- 1/2" diameter hole in metal threshold or header is suitable. For wood thresholds, 4005 strike is available separately.

FACEPLATE

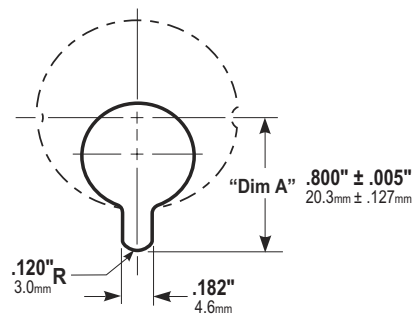
- Measures 1" x 6-7/8".

STANDARD PACKAGE

- Basic lock mechanism boxed with actuator arm attached, rod/bolt assembly unattached. Stainless steel bolt guide, mounting screws, and installation instructions included. Cylinders available separately. Shipping weight: 1-1/4 lbs.

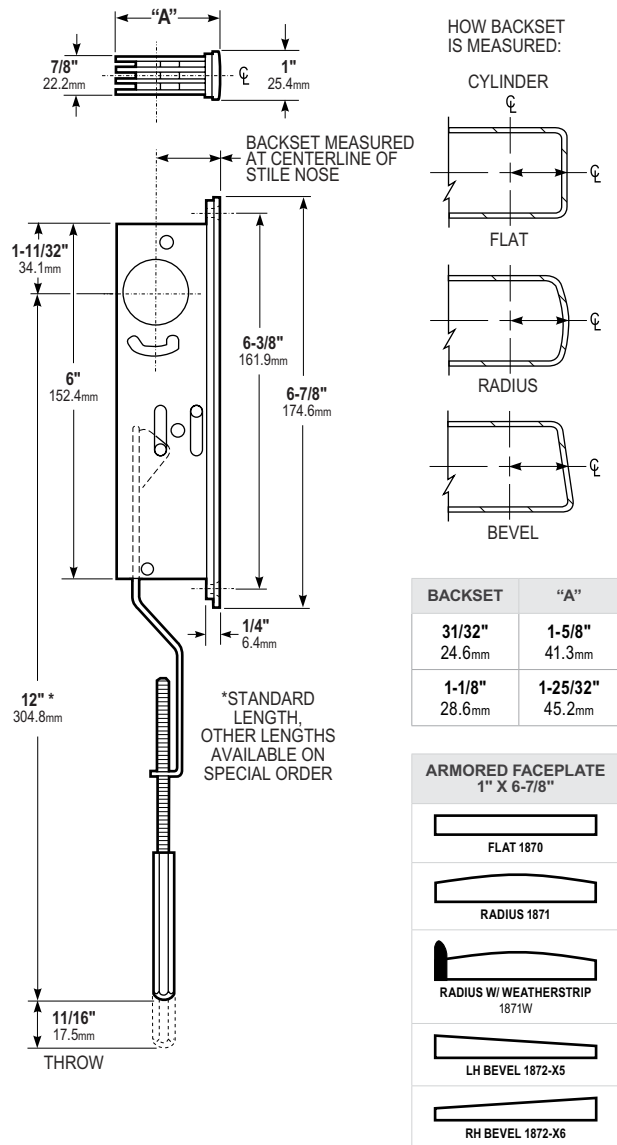
CYLINDER CAM

- 1870 Cylinder-Operated Flushbolts are operable by any standard 1-5/32" diameter mortise cylinder with MS® cam dimensioned as shown. Cylinders with MS® cams can be readily obtained from most cylinder manufacturers. See CYLINDERS section for cylinder make, thumbturn and trim ring information.



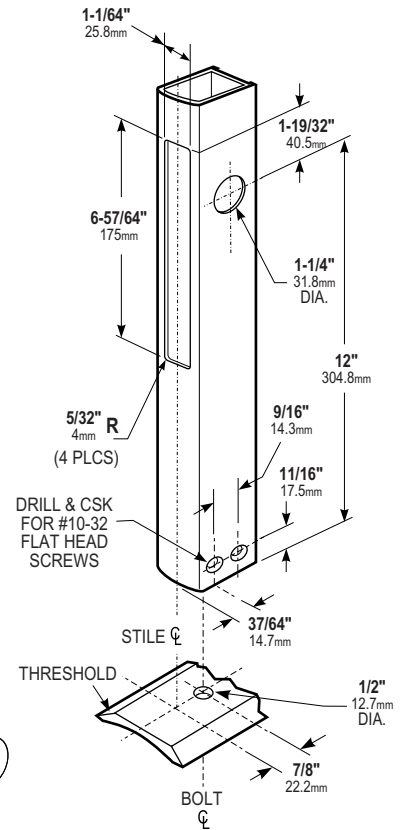
All measurements are approximate and are provided for informational purposes only. Refer to the product Installation Instructions.

Dimensions

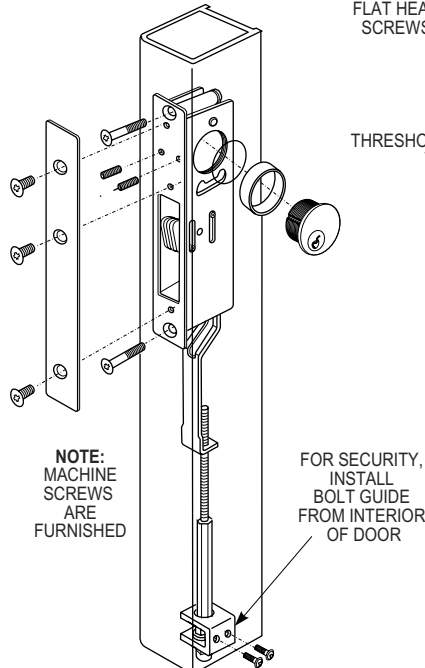


Stile Preparation

For installation locking threshold. Invert for header locking.



Lock & Cylinder Installation



HOW TO ORDER 1870 CYLINDER-OPERATED FLUSHBOLT

Specify quantity and the following information. Order related products separately.

Product No.	FACEPLATE shape	BACKSET	HANDING	FINISH
187	0	-2	0	-628
	0 Flat	2 31/32"	0 Non-Handed*	313 Dark Bronze Anodized
	1 Radius	3 1-1/8"	5 LH or RHR	335 Black Anodized
	1W Radius with weatherstrip		6 RH or LHR	628 Clear Anodized
	2 Bevel			

*Any flat or radius faceplate.

RELATED PRODUCTS When purchasing this product, please consider the following related products, available separately:

Accessories

Lock mounting accessories and options.

Cylinders

1870 Cylinder-Operated Flushbolts are operable by any standard 1-5/32" diameter mortise cylinder with MS® cam.

Special Order Options

Other cylinder lengths available as special order.

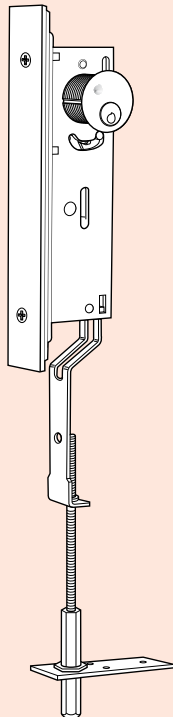
1870HM Cylinder-Operated Flushbolt



Designed for greater key control, the 1870HM Cylinder-Operated Flushbolt prevents accidental locking of the inactive leaf of paired hollow metal doors. May be installed to lock at threshold or at header.

Function

Designed for use instead of conventional flip-lever operated flushbolts, the 1870HM Cylinder-Operated Flushbolt gives building management key control of the inactive leaf of paired doors. Prevents casual locking of the inactive leaf by children or other unauthorized persons. Uses same basic over-center action mechanism as MS® pivoted bolt locks. Recommended for installation at both top and bottom of inactive door with MS1850SN Deadlock in active door for greatest security. May be installed to lock at threshold or at header.



Operation

360° turn of key throws or retracts the hex-section bolt. Key can be removed only when bolt is in a positively locked or unlocked position. Accepts any standard 1-5/32" mortise cylinder from either or both sides. Cylinder must have MS® dimensioned cam (see CYLINDERS).

Specifications

CYLINDER BACKSET

- 1-1/4" only.

CYLINDER HEIGHT

- Standard length (cylinder center to door end) is 13-1/2". Other lengths available by special order.

CASE

- Measures 7/8" x 6" x 1-21/32". Steel with corrosion-resistant plating.

BOLT

- Hexagonal 3/8" flat to flat, with 11/16" throw. Made of stainless steel.

STRIKE

- 2-1/4" x 15/16" strike is supplied.

FACEPLATE.

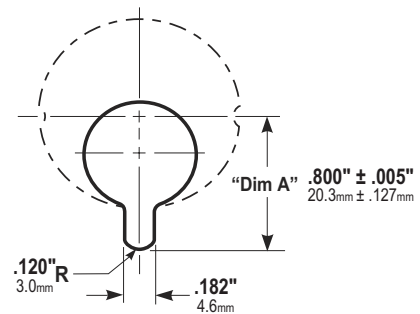
- Faceplate measures 1" x 8".

STANDARD PACKAGE

- Basic lock mechanism boxed with actuator arm attached, rod/bolt assembly unattached. Stainless steel bolt guide, mounting screws, and installation instructions included. Cylinders available separately. Shipping weight: 1-1/4 lbs.

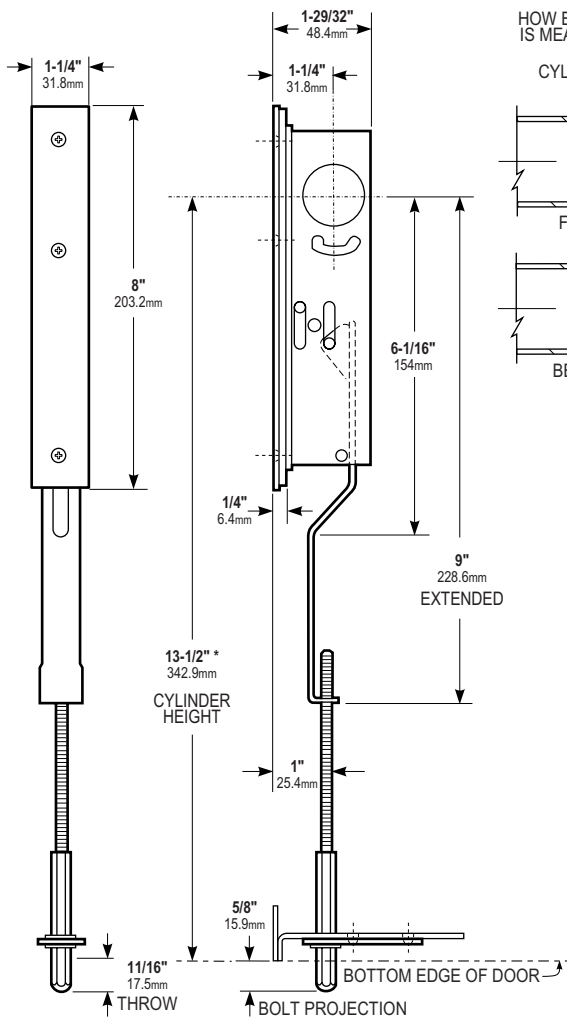
CYLINDER CAM

- 1870HM Cylinder-Operated Flushbolts are operable by any standard 1-5/32" diameter mortise cylinder with MS® cam dimensioned as shown. Cylinders with MS® cams can be readily obtained from most cylinder manufacturers. See CYLINDERS section for cylinder make, thumbturn and trim ring information.



All measurements are approximate and are provided for informational purposes only. Refer to the product Installation Instructions.

Dimensions

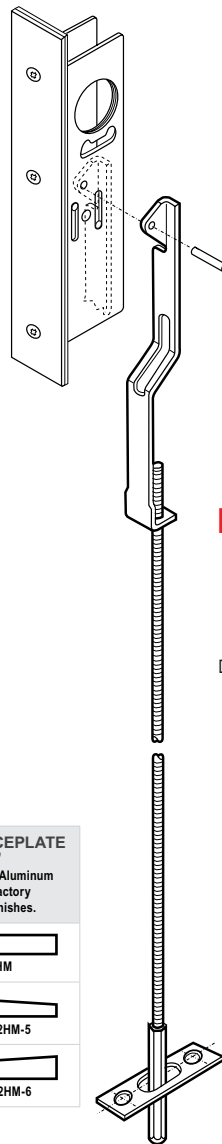


*OTHER LENGTHS AVAILABLE ON SPECIAL ORDER

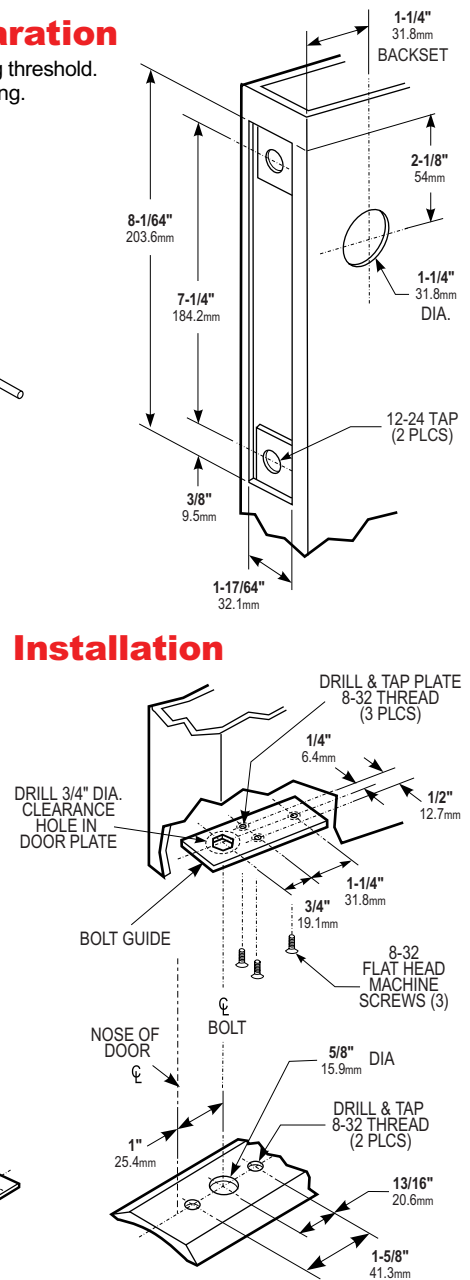
ARMORED FACEPLATE 1" X 8"	
Finish: US28 Satin Aluminum (628) consult factory about special finishes.	
FLAT 1870HM	
LH BEVEL 1872HM-5	
RH BEVEL 1872HM-6	

Door Preparation

For installation locking threshold. Invert for header locking.



Installation



HOW TO ORDER 1870HM CYLINDER-OPERATED FLUSHBOLT

Specify quantity and the following information. Order related products separately.

Product No.	FACEPLATE SHAPE	HANDING	FINISH
187	OHM	5	-628
	0HM Flat	0 Non-Handed*	313 Dark Bronze Anodized
	2HM Bevel	5 LH or RHR	335 Black Anodized
		6 RH or LHR	628 Clear Anodized

*Any flat or radius faceplate.

RELATED PRODUCTS When purchasing this product, please consider the following related products, available separately:

Accessories

Lock mounting accessories and options.

Cylinders

1870HM Cylinder-Operated Flushbolts are operable by any standard 1-5/32" diameter mortise cylinder with MS® cam.

Special Order Options

Other cylinder lengths available as special order.

1877 Cylinder-Operated Flushbolt

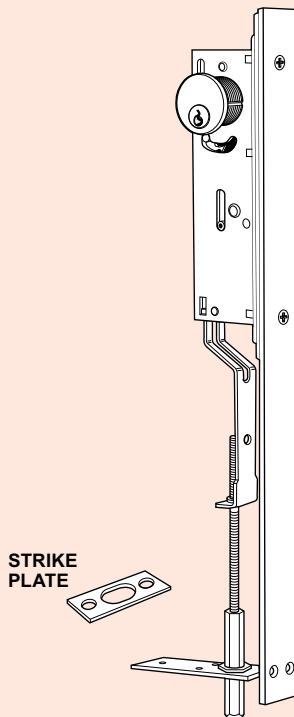


WOOD

Designed for greater key control, the 1877 Cylinder-Operated Flushbolt prevents accidental locking of the inactive leaf of paired wood doors. May be installed to lock at threshold or at header.

Function

Designed for use instead of conventional flip-lever operated flushbolts, the 1877 Cylinder-Operated Flushbolt gives building management key control of the inactive leaf of paired doors. Prevents casual locking of the inactive leaf by children or other unauthorized persons. Uses same basic over-center action mechanism as MS® pivoted bolt locks. Recommended for installation at both top and bottom of inactive door with MS1837 in active door for greatest security. May be installed to lock at threshold or header.



STRIKE PLATE

Operation

360° turn of key throws or retracts the hex-section bolt. Key can be removed only when bolt is in a positively locked or unlocked position. Accepts any standard 1-5/32" mortise cylinder from either or both sides. Cylinder must have MS® dimensioned cam (see CYLINDERS).

Specifications

CYLINDER BACKSET

- 1-1/4" only.

CYLINDER HEIGHT

- Standard length (cylinder center to door edge) is 13-1/2". Other lengths available by special order.

CASE

- Measures 1" x 6" x 1-29/32". Steel with corrosion-resistant plating.

BOLT

- Hexagonal 3/8" flat to flat, with 11/16" throw. Made of stainless steel.

STRIKE

- 2-1/4" x 15/16" strike is supplied.

ARMORED FACEPLATE

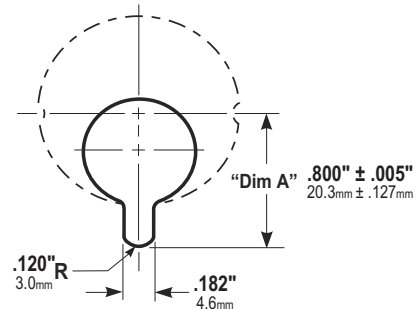
- 1-1/4" x 15-5/8". Standard Finish: US28 Clear Anodized (628).

STANDARD PACKAGE

- Basic lock mechanism boxed with actuator arm attached, rod/bolt assembly unattached. Stainless steel bolt guide, mounting screws, and installation instructions included. Cylinders available separately. Shipping weight: 1-1/4 lbs.

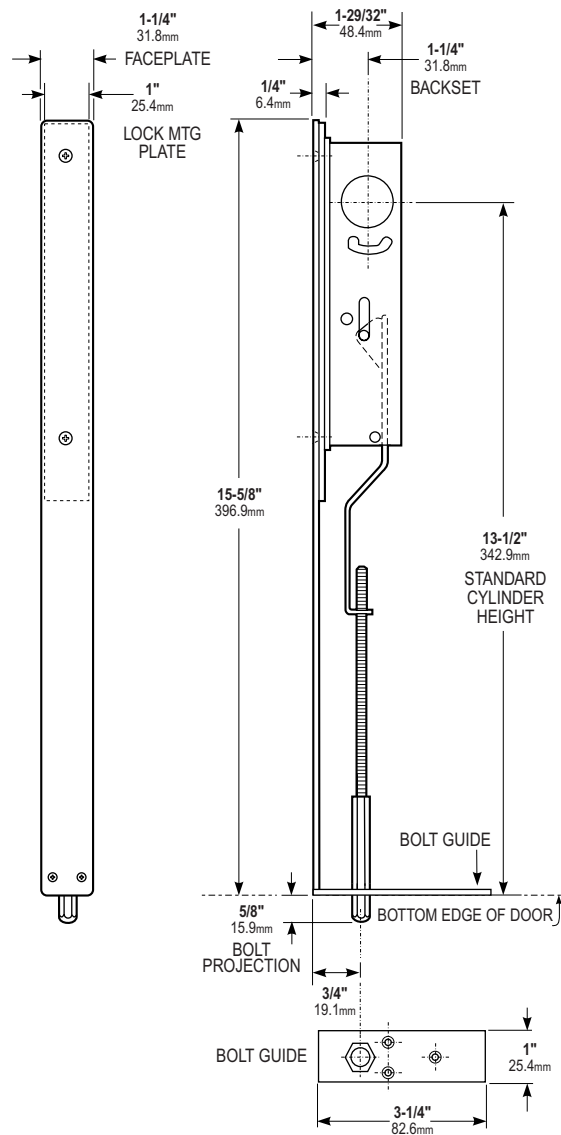
CYLINDER CAM

- 1877 Cylinder-Operated Flushbolts are operable by any standard 1-5/32" diameter mortise cylinder with MS® cam dimensioned as shown. Cylinders with MS® cams can be readily obtained from most cylinder manufacturers. See CYLINDERS section for cylinder make, thumbturn and trim ring information.



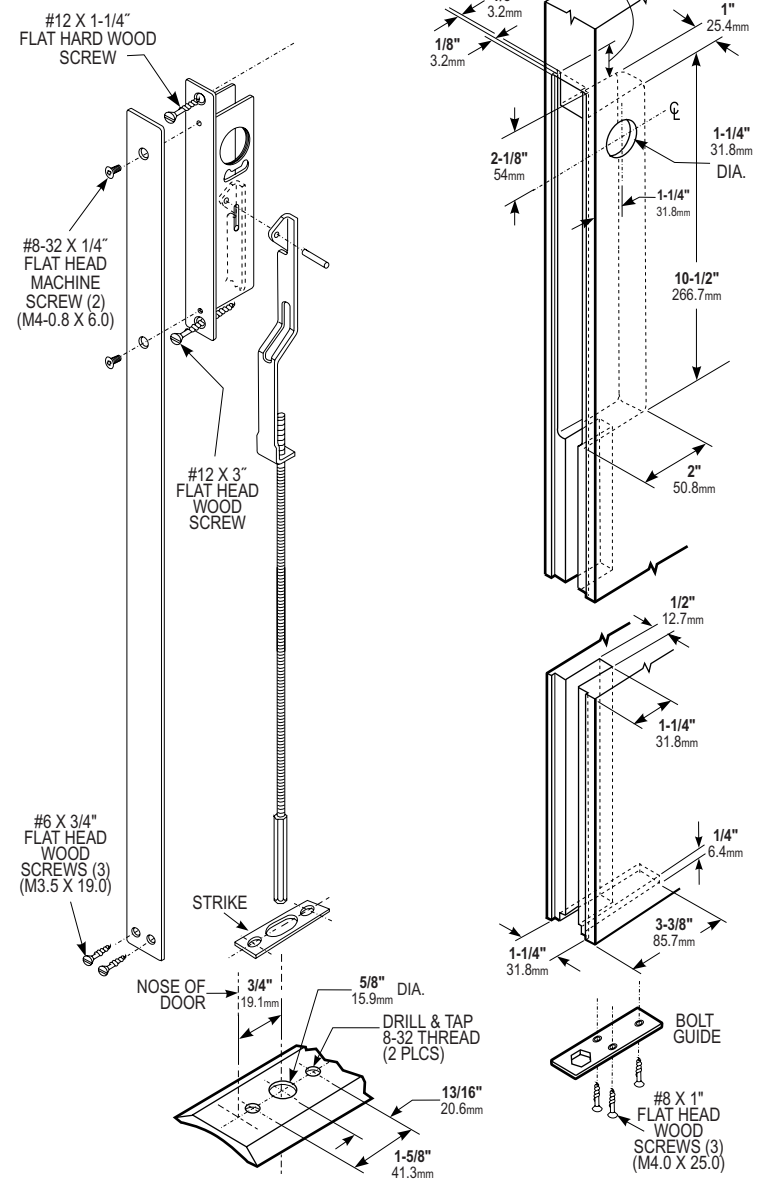
All measurements are approximate and are provided for informational purposes only. Refer to the product Installation Instructions.

Dimensions



Installation

For installation locking threshold. Invert for header locking.



HOW TO ORDER 1877 CYLINDER-OPERATED FLUSHBOLT

Specify quantity and the following information. Order related products separately.

Product No.	Finish
1877	-628
	313 Dark Bronze Anodized
	605 Bright Brass
	626 Satin Chrome
	628 Clear Anodized

RELATED PRODUCTS When purchasing this product, please consider the following related products, available separately:

Accessories

Lock mounting accessories and options.

Cylinders

1877 Cylinder-Operated Flushbolts are operable by any standard 1-5/32" diameter mortise cylinder with MS® cam.

Special Order Options

Other cylinder lengths available as special order.

MS1880, MS1881 Two-Point Flushbolts

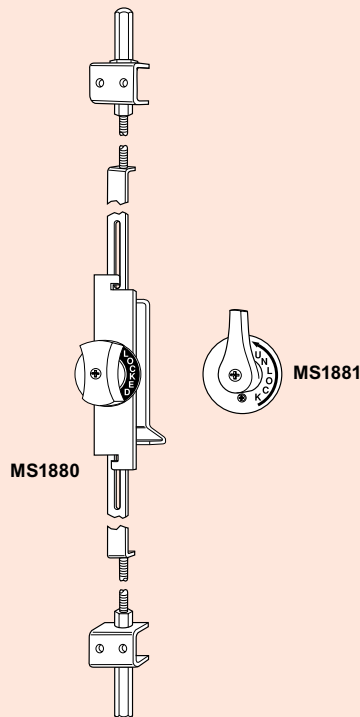


ALUMINUM

MS1880 and MS1881 Two-Point Flushbolts offer greater convenience than flip-lever flushbolts. With one operation, they provide security and reduce human error.

Function

Used instead of flip-lever flushbolts in the inactive leaf of paired doors, the MS1880 and MS1881 offer greater convenience: one operation instead of two. It also promotes security by removing an element of human error. A positive blocking device makes it impossible to turn the key in the active door unless the inactive leaf has first been secured. This two-point flushbolt must be installed in conjunction with a pivoted bolt MS® deadlock. Cannot be unlocked when pivoted bolt is in locked position. **Not to be used as a standalone locking mechanism.**



Operation

Turn knob or lever 180° clockwise to throw hardened steel bolts into header and threshold and clear strike opening so pivoted MS® bolt can enter from active door. Counterclockwise turn retracts vertical bolts and blocks entry of pivoted bolt.

Operates in conjunction with any MS® pivoting deadlock.

Specifications

TURN HEIGHT

- Matches cylinder height of MS® lock in active door.

TURN/INDICATOR

- MS1880 has an hourglass shape for firmer finger grip. Finish is US26D Satin Chrome (682). Red background indicator has aluminum letters reading "LOCKED" (no message shown when unlocked). MS1881 has a teardrop shape lever with red letters on clear decal indicating unlock direction only.

TOP AND BOTTOM BOLTS

- Hexagonal 3/8" flat to flat. Stainless steel. Guides furnished. Bolt throw is 23/32". Strike required in metal headers and thresholds is 1/2" diameter hole. For wood installation, two 4005 strikes required are available separately.

INTERLOCK

- All steel mechanism includes device to prevent entry of pivoted bolt until vertical bolts are locked and conversely, to prevent unlocking of vertical bolts when pivoted bolt is locked.

OPTIONS

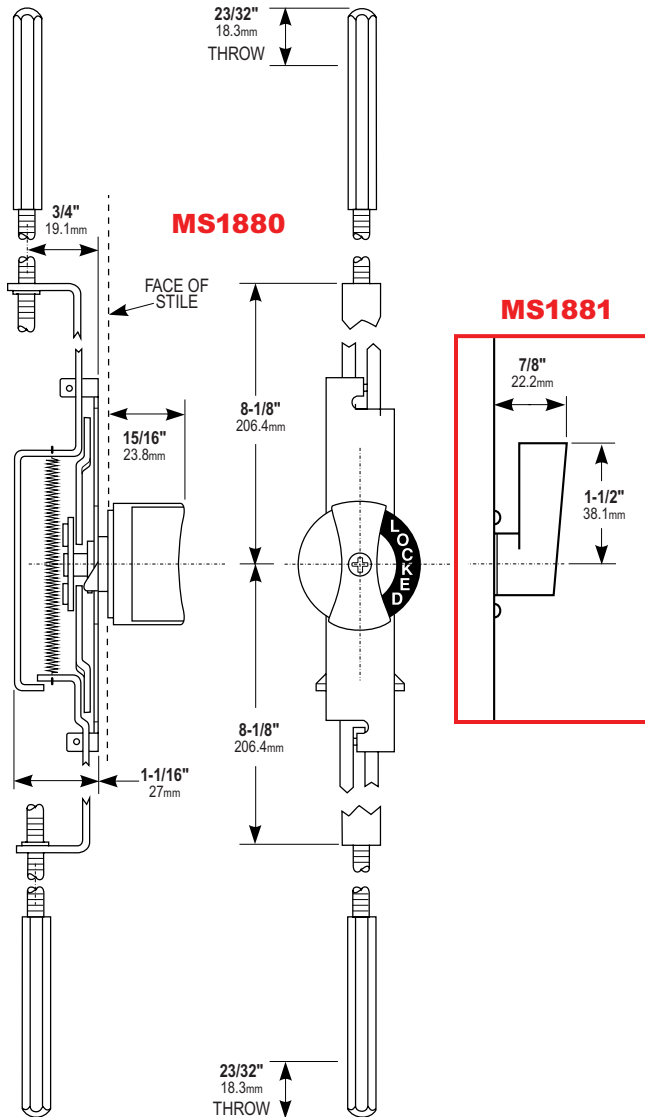
- For wood header or threshold order 4005 Strikes separately. For doors over 84" up to 120" Tall Door Kit TDK-1880 available separately.

STANDARD PACKAGE

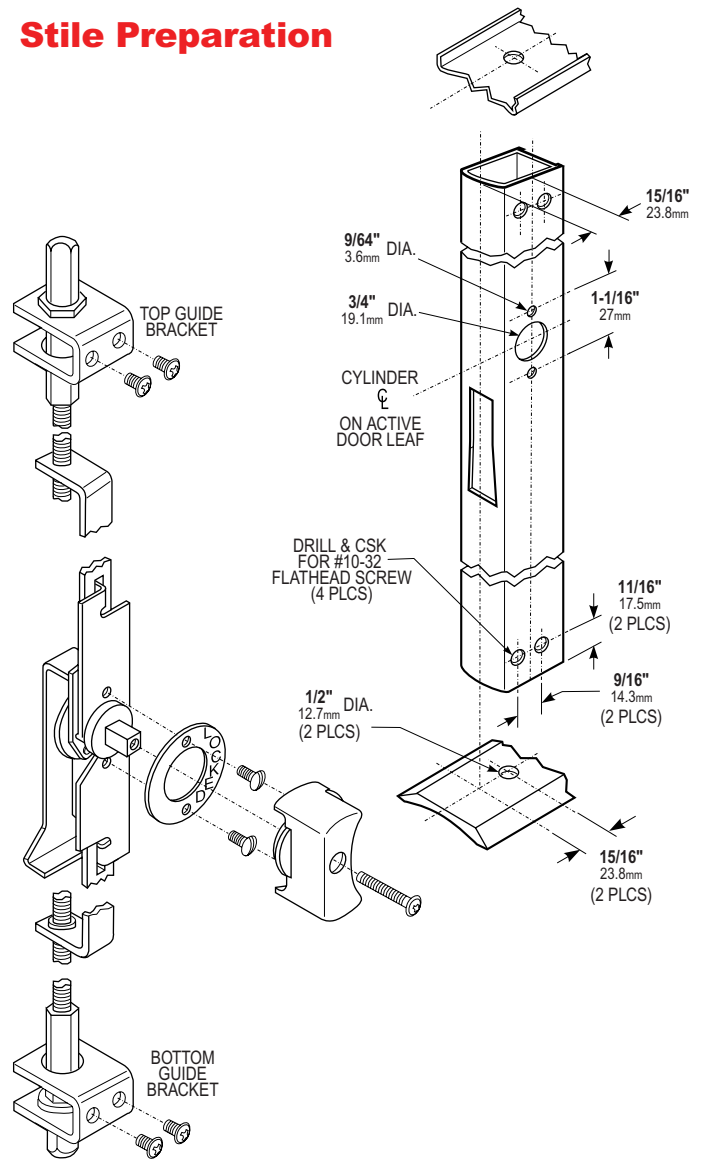
- Individually boxed with bolt guides and screws. Shipping weight: 2 lbs.

All measurements are approximate and are provided for informational purposes only. Refer to the product Installation Instructions.

Dimensions



Stile Preparation



HOW TO ORDER MS1880, MS1881 TWO-POINT FLUSHBOLTS

Specify quantity and the following information. Order related products separately.

MODEL	TURN SHAPE	CYLINDER HEIGHT*	FINISH
MS18	80	-01	-682
MS18	80 Hourglass	01 31" to 35"	119 Black
	81 Teardrop	02 35-1/16" to 39"	121 Dark Bronze
		03 39-1/16" 43"	682 Satin Chrome
		04 43-1/16" to 47"	
		05 47-1/16" to 51"	

*Distance from floor to cylinder centerline

RELATED PRODUCTS

When purchasing this product, please consider the following related products, available separately:

Accessories

TDK-1880 Tall Door Kit.

COMPATIBLE PRODUCTS

This product is compatible with the following products:

Deadlocks

MS1850S, MS1850S-050, MS1850SN, MS1850SN-050, 1850S-020 (shortbolt), MS1950

MS2180 Auto-Release Two-Point Flushbolt

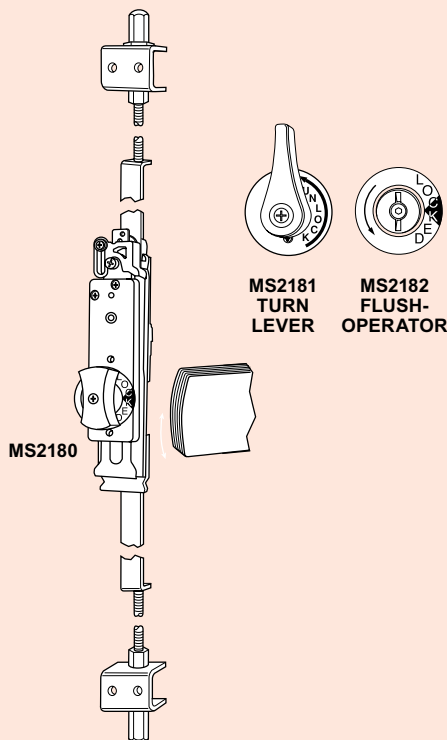


ALUMINUM

The MS2180 Auto-Release Two-Point Flushbolt works in conjunction with any MS pivoting deadlock to provide maximum security for paired doors.

Function

Used instead of code-violating manual (flip-lever) flushbolts in the inactive leaf of paired doors. One turn pins the inactive leaf in position. The pivoting MS® deadlock in the active leaf secures the entire opening. The action of securing the MS® deadlock trips an internal mechanism in the MS2180 so that when the MS® deadlock is retracted, the entire opening releases with only one operation. This auto-release two-point flushbolt must be installed with a pivoted bolt MS® deadlock. **Not to be used as a standalone locking mechanism.**



Operation

Turn knob or lever 120° counterclockwise to throw stainless steel bolts into header and threshold and clear strike opening so pivoted MS® bolt can enter from active door. Clockwise turn retracts vertical bolts and blocks entry of pivoted bolt.

Operates in conjunction with any MS® pivoting deadlock.

Specifications

TURN HEIGHT

- Matches cylinder height of MS® deadlock in active door, adjustable from 34" to 48".

TURN LEVER/INDICATOR

- MS2180 has an hourglass shape for a firm finger grip. Red lettered indicator shows "LOCKED" when secure. MS2181 has a teardrop shaped turn lever. MS2182 is a limited-access flush turn to comply with IBC requirements for "no doorknob" actuation. MS2182 is supplied with an activation tool.

TOP AND BOTTOM BOLTS

- Hexagonal 3/8" flat to flat. Stainless steel. Guides furnished. Bolt throw is 23/32". Strike required in metal headers and thresholds is 1/2" diameter hole. For wood installation, two 4005 strikes required are available separately.

INTERLOCK

- Mechanism includes device to prevent entry of pivoted bolt until vertical bolts are locked and conversely, to prevent unlocking of vertical bolts when pivoted bolt is locked.

MONITORING

- Monitoring Kit available as add-on switch kit that signals when the top and bottom bolts are fully projected and the MS® deadlock is in the extended and locked position. More than an easily defeated door position switch, the MK-2180 Monitoring Kit provides a tamper-proof indication of the door position and locked condition. Form C switch.

OPTIONS

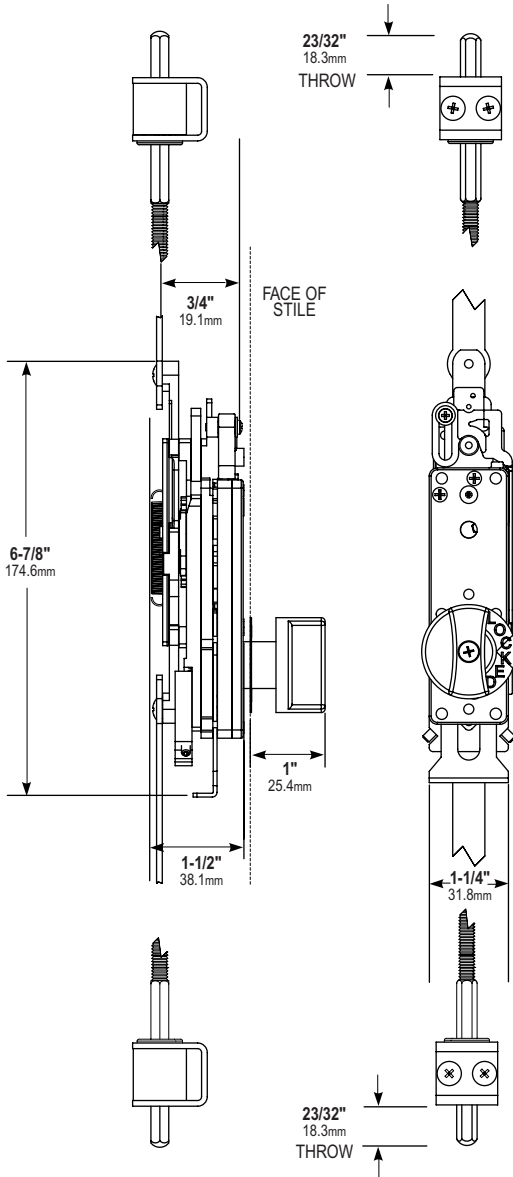
- For wood header or threshold, 4005 strikes available separately.

STANDARD PACKAGE

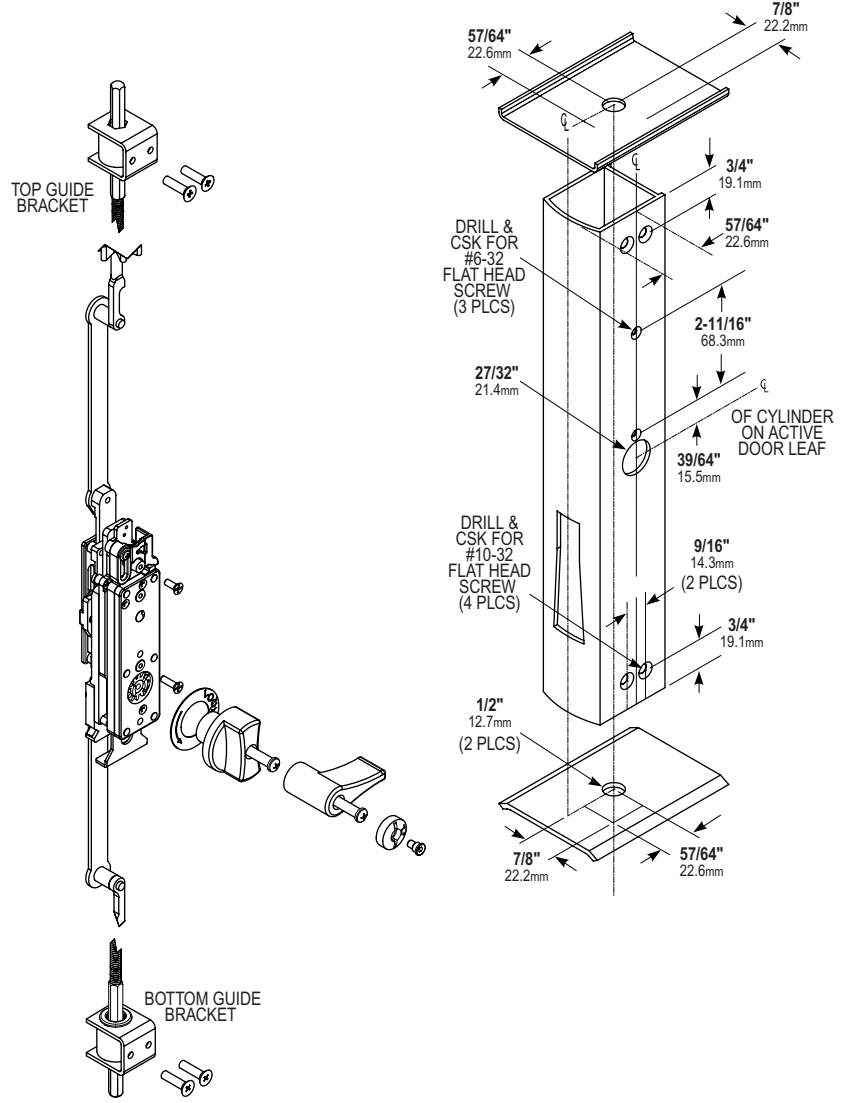
- Individually boxed with bolt guides and screws. Shipping weight: 2 lbs.

All measurements are approximate and are provided for informational purposes only. Refer to the product Installation Instructions.

Dimensions



Stile Preparation



HOW TO ORDER MS2180 AUTO-RELEASE TWO POINT FLUSHBOLT

Specify quantity and the following information. Order related products separately.

Product no.	TURN SHAPE	DOOR HEIGHT (From floor to top of door)	FINISH TO MATCH
MS218	0	-07	-130
	0 Hourglass	07 Up to 7' Door	119 Black Anodized
	1 Teardrop	08 Up to 8' Door	121 Dark Bronze Anodized
	2 Flush	09 Up to 9' Door	130 Clear Anodized
		10 Up to 10' Door	

RELATED PRODUCTS

When purchasing this product, please consider the following related products, available separately:

Accessories

MK2180 Monitoring Kit.

COMPATIBLE PRODUCTS

This product is compatible with the following products:

Deadlocks

MS1850S, MS1850S-050, MS1850SN, MS1850SN-050, 1850S-020 (shortbolt), MS1950

B1921, B1923 Reinforcing Pivots



WOOD

HOLLOW
METAL

The B1921 and B1923 Reinforcing Pivots provide an economical way to transfer load from hinges of sagging doors.

Function

This full-surface reinforcing pivot adds years of life to openings where the hinges or hinge reinforcements have failed. Reinforcing pivots take the load off the top hinge and transfer it to screws that are in shear so they will not pull off. The economical way to solve door sag problems.

Specifications

TYPE

- Full surface reinforcing pivots for flush doors.

FINISH

- Zinc plating over steel.

MATERIAL

- Heavy-duty 3/16" cold-rolled steel.

CYCLE TESTING

- 1,500,000 repetitions

CAPACITY

- Supports weights up to 300 lbs.

HOLE PATTERN

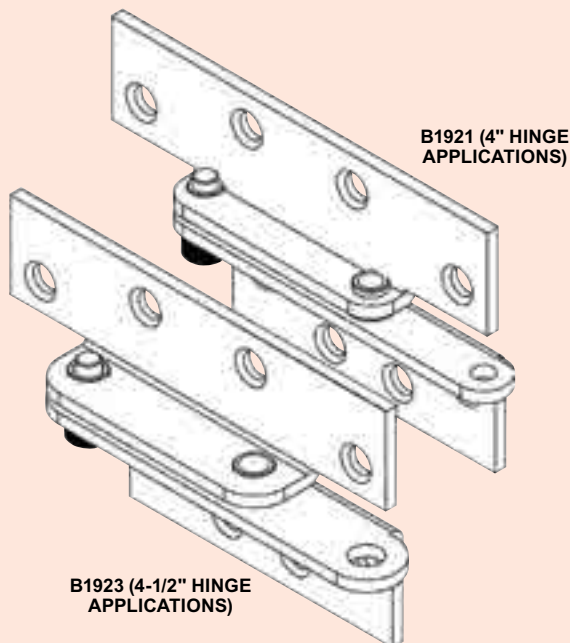
- Symmetrically located. Non-handed.

HINGE SIZE

- The B1921 pivot is designed with 1/2" offset to match the pivot point of a 4" wide butt hinge.
- The B1923 pivot is designed with a 3/4" offset to match the pivot point of a 4-1/2" wide butt hinge.

STANDARD PACKAGE

- Comes complete with all necessary fasteners. Optional tamper-proof screw available.



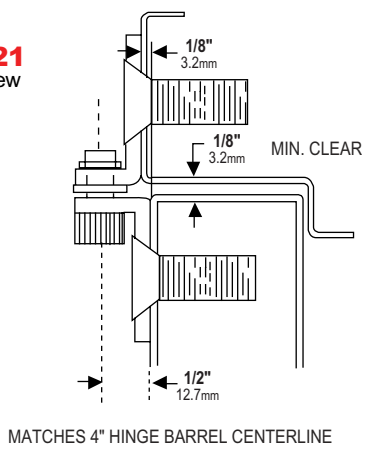
B1921 (4" HINGE APPLICATIONS)

B1923 (4-1/2" HINGE APPLICATIONS)

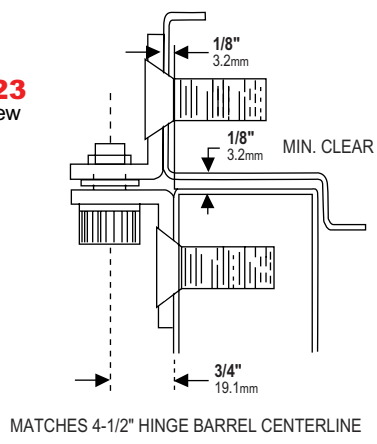
All measurements are approximate and are provided for informational purposes only. Refer to the product Installation Instructions.

Dimensions

B1921
side view

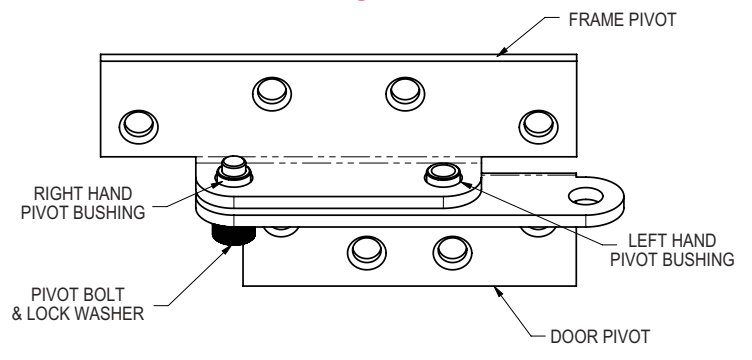


B1923
side view



Installation

B1921/B1923 Pivot Assembly



HOW TO ORDER B1921, B1923 REINFORCING PIVOTS

Specify quantity and the following information. Order related products separately.

Product no.	MODEL
B192	1
	1 4"
	3 4-1/2"

RELATED PRODUCTS When purchasing this product, please consider the following related products, available separately:

Accessories

- Tamper proof screws.
- B-133 Large Oilite bronze bushing.
- P-133 Large socket head pin and washer.

Options & Accessories for Flushbolts

Adams Rite Flushbolts can be ordered with a variety of related products including strike plates, trim and cylinder accessories and compatible products such as Adams Rite deadlocks. Please see product pages for more information on all available flushbolt types, functions, installation requirements and complete How-to-Order guides.

For more detailed information on any of the products listed below please refer to the corresponding section of this catalog.

Accessories

4000 SERIES MS DEADLOCK STRIKES

4000 surface mounted strike plate, 4001 strike plate with dust box, 4005 threshold strike, 4006 floor strike, or 4505 armored strike add aesthetics and finish to strike cutouts in jambs.

8650 CYLINDER ESCUTCHEON

If key entry operation is required for 4781 Two-Point Deadlatch with Paddle, any standard mortise cylinder with MS cam can be installed outside through an 8650 Cylinder Escutcheon.

Deadlocks

MS1880, MS1881 Two-Point Flushbolts and MS2180 Auto-Release Two-Point Flushbolt **MUST** be installed in conjunction with a pivoted bolt MS deadlock. See DEADLOCKS section of this catalog for information on all available types and functions including complete How-to-Order guides for Adams Rite Deadlocks including the MS® Maximum Security Deadlocks.

Cylinders

4036 MORTISE CYLINDER

The 4036 Mortise Cylinder is a standard 1" long, 1-5/32" diameter cylinder that provides five-pin security with most Adams Rite locks or latches.

4066 THUMBTURN

The 4066 Thumbturn interchanges with standard 1-5/32" diameter mortise cylinder and operates locks or latches without a key.

MS4043 CYLINDER GUARD

The MS4043 Cylinder Guard is a hardened-steel, free-swiveling ring to protect cylinder from vandalism such as prying or twisting.

3100 Series (Fire-Rated) 8100 Series (Life-Safety) Surface Vertical Rod Exit Device

HOLLOW
METAL

WOOD

ELECTRIFIED
OPTION

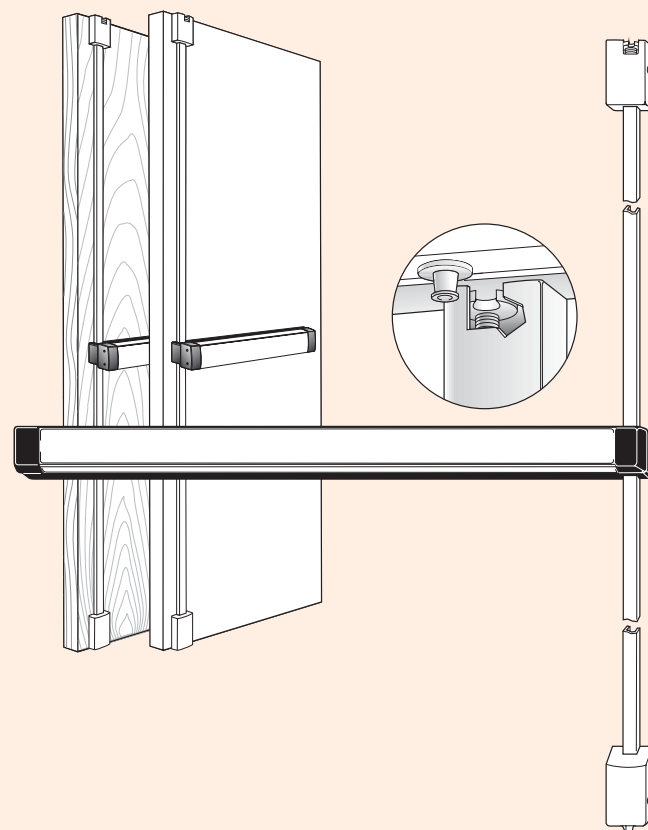
FIRE RATED



GRADE 1

3100 SERIES ONLY

3100 SERIES					
MODEL	TYPE	FIRE RATING	DOOR CONSTRUCTION	MAX SIZE SINGLE DOORS	MAX SIZE PAIRS & DOUBLE EGRESS
3100	SVR	3 Hr	Hollow metal or wood	4'0" x 8'0"	8'0" x 8'0"
3100W	SVR-TRO	20 Min with hose stream 45 Min wood or plastic covered	Wood	4'0" x 8'0"	8'0" x 8'0"
3100T	SVR-TRO	1-1/2 Hr	Hollow metal	4'0" x 8'0"	8'0" x 8'0"



Features

- Patented top latching mechanism interlocks door to frame
- Strong, durable construction for a high level of security
- Adjustable steel rods protected in contoured covers
- Easy to install
- Clean, unobtrusive design
- Pushbar clad or anodized, not plated, in a variety of finishes
- Also available in top rod only version

Specifications

3100 SERIES CERTIFICATIONS:

- UL Panic-Fire Exit Hardware, up to 3 hrs
- UL 305 Panic Hardware
- California State Fire Marshall
- New York City MEA*
- Warnock/Hersey Listing

8100 SERIES CERTIFICATIONS:

- UL 305 Panic Hardware
- ANSI/BHMA A156.3 Grade 1
- California State Fire Marshall
- New York City MEA*

*Consult Factory for specific number

MATERIALS

- Pushbar made of extruded aluminum, clad or anodized in a variety of finishes.

HANDING

- Device is non-handed. Lever Entry Trim is field reversible.

PUSHBAR LENGTH

- Standard sizes: dimensioned for 30", 36", 42", and 48" openings. Standard width bars can be field cut to the next smallest opening width.

BAR HEIGHT

- Standard model adjusts from 30" to 44".

DOOR HEIGHT

- Standard model fits up to 8 ft door, with bar height at 40"-44". For doors up to 10 ft. Tall Door Kit available separately: 8055 Tall Door Kit for 8100 or 3055 Tall Door Kit for 3100.

DOOR THICKNESS

- Suits 1-3/4" standard, up to 2-1/4".

STILE WIDTH

- **3100** – Minimum 3-3/4". Door construction may require additional stile width to meet fire ratings and provide adequate strength.
- **8100** – Minimum 3-3/4".

PROJECTION

- 2-15/16" when fully projected, 1-15/16" when dogged.

DOGGING

- Standard dogging with hex key or optional cylinder dogging for 8100 Series only. Electric dogging also available for 3100 and 8100 Series.

FASTENERS

- Standard self-tapping screws. Optional Sex Bolt Kits 26-0584 (two required per device). Specify finish.

CYLINDERS

- See CYLINDERS section of this catalog for cylinder make, thumbturn and trim ring information. (Available separately).

CYLINDER X FIXED PULL (ANSI/BHMA FUNCTION 03)

- Accepts any standard Rim cylinder.

3080 ENTRY TRIM (FUNCTIONS 08, 09)

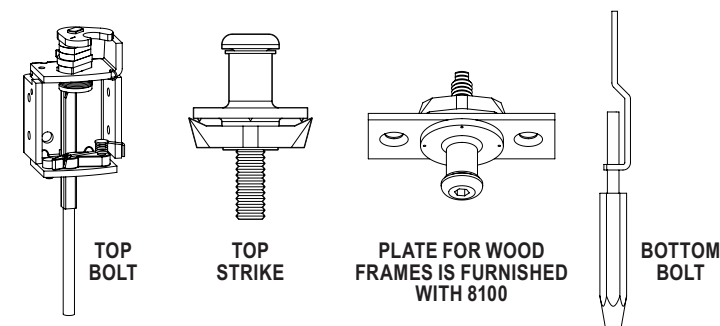
- Accepts any standard diameter Mortise cylinder with MS® cam. Accommodates cylinder lengths from 1" to 1-1/4". (Available separately).

WARRANTY

- Five year limited.

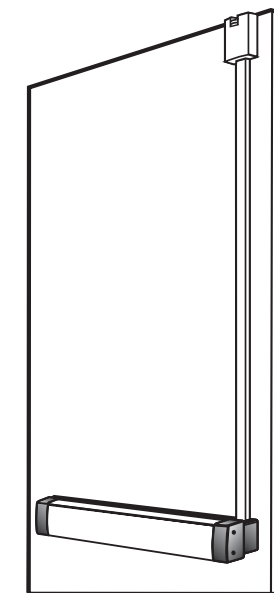
Bolts and Strikes

- The patented top latching mechanism utilizes a rotating top bolt which deadlatches around the header strike, interlocking the door to the frame. For wood frames, an additional plate is supplied for securing the header strike. The hexagonal, hardened steel bottom bolt is shielded in a cast housing for strength and stability.



Top Rod Only

- The surface vertical rod exit device is also available with a single vertical rod on top. Specify by adding "T" after exit device number.



TOP ROD ONLY

Options and Accessories

SILENT ELECTRIFICATION MOTORIZED LATCH RETRACTION

- The SE Motorized Latch Retraction option provides near-silent operation for quiet environments such as hospitals, offices, hotels, and libraries where solenoid-driven devices would be disruptive.

ELECTRIC LATCH RETRACTION

- The LR option uses a solenoid mounted in the pushbar for instantaneous unlocking and locking of the exit device from a remote location or access control device. LR option is not available on rim type exit devices (see EL option).

ALARMED EXIT DEVICE

- This battery-operated option emits a loud (95 decibel) alarm to notify management of unauthorized exit. Available on minimum opening width 36". Cannot be ordered with other exit device options.

REQUEST TO EXIT (REX) – MONITOR / SIGNAL SWITCH

- Mounted in the exit device pushbar on the hinge end, the switch can be used to activate signal light, horn, monitor, or other devices.

CYLINDER DOGGING

- For management control of dogging exit devices for life-safety exit devices only.

ELECTRIC DOGGING

- A holding magnet keeps the pushbar depressed (set manually) and the latch retracted for lower profile exit devices, resulting in less damage and quieter operation.

MATCHING END CAPS

- Matching end caps are available for applications where it is preferable that the end caps match the finish of the exit device. Available for US finishes only.

AVAILABLE FINISHES

- 313 Dark Bronze Anodized
- 335 Black Anodized
- 628 Clear Anodized
- US3 Bright Brass
- US4 Satin Brass
- US32 Bright Stainless
- US32D Satin Stainless

For more detailed information on any of the options and accessories listed above please see the Accessories page of the EXIT DEVICE section of this catalog.

HOW TO ORDER 3100 SERIES (FIRE-RATED) 8100 SERIES (LIFE-SAFETY) SURFACE VERTICAL ROD EXIT DEVICE

Specify quantity and the following information. Order related products separately.

MODEL	PUSHBAR FINISH	ROD TYPE	DEVICE OPTIONS	MONITORING OPTION	DOOR OPENING WIDTH On pair of doors, specify HALF of the total exit opening	US FINISH	END CAPS OPTION
81	00	-	SE	M2	-30	-US32D	MEC
31 Fire Rated	00 US Finish	T Top Rod only	LR Electric Latch Retraction	M Single Switch	30 30 inches	US3 Bright Brass	MEC Matching End Caps
81 Life-Safety	11 Clear Anodized 628	W Top Rod only - Wood doors	SE Silent Electrification Latch Retraction	M2 Dual Switch	36 36 inches	US4 Satin Brass	
	22 Dark Bronze Anodized 313	- Standard rod	C Cylinder Dogging (non-fire rated devices ONLY)	(Blank) No Monitor	40 40 inches	US32 Bright Stainless	
	33 Black Anodized 335		ED Electric Dogging		48 48 inches	US32D Satin Stainless	
			(Blank) No Option		AXXB Alarmed Exit Device where XX is door opening width		

NOTE that Alarmed Exit Device option cannot be combined with Device Options or Monitoring Options.

ALSO NOTE: Split finishes (faceplate/pushbar) are not available.

RELATED ANSI TRIM FUNCTIONS

01 Exit only – no outside operation	02 No outside operation – pull only when dogged	03 Night latch – key retracts latch	08 Key outside unlocks/locks lever	09 Night latch – key unlocks trim, trim retracts latch/trim relocks when key is removed	14 Passage only
Cylinder Type N/A	N/A	Rim	Mortise	Mortise	N/A

Please see TRIM Section of this catalog for information on Pulls and Entry Trim.

RELATED PRODUCTS

When purchasing this product, please consider the following related products, available separately:

Accessories Optional Sex Bolt Kits 26-0584 (two per device). Tall Door Kit: 8055 for 8100 or 3055 for 3100 REX-Monitor/Signal Kits.	Cylinders Adams Rite exit devices are operable by either rim or mortise cylinders depending upon the ANSI/BHMA functions of the exit device.	Trim Entry trim and fixed pulls.	Power PS-SE, PS-LR, and 4612 Power Transfer Device.
---	--	--	---

8200 Series (Life-Safety) Narrow Stile Surface Vertical Rod Exit Device

ELECTRIFIED
OPTION

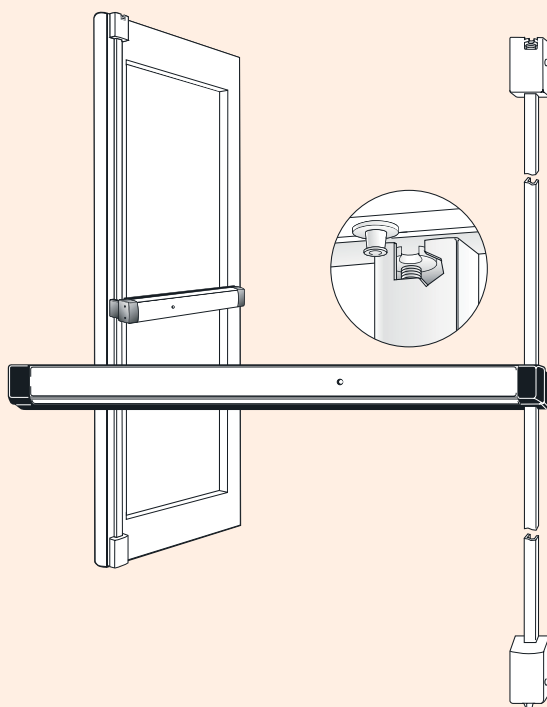
ALUMINUM



GRADE 1

Features

- Patented top latching mechanism interlocks door to frame
- Strong, durable construction for a high level of security
- Adjustable steel rods protected in contoured covers
- Easy to install
- Clean, unobtrusive design
- Pushbar clad or anodized, not plated, in a variety of finishes



Specifications

8200 SERIES CERTIFICATIONS:

- UL 305 Panic Hardware
- Warnock/Hersey Life-Safety Listing
- ANSI/BHMA A156.3 Grade 1
- California State Fire Marshall
- New York City MEA*

*Consult Factory for specific number

MATERIALS

- Pushbar made of extruded aluminum, clad or anodized in a variety of finishes.

HANDING

- Device is non-handed. Lever Entry Trim is field reversible.

PUSHBAR LENGTH

- Standard sizes: dimensioned for 30", 36", 42", and 48" openings. Standard width bars can be field cut to the next smallest opening width.

BAR HEIGHT

- Standard model adjusts from 30" to 44".

DOOR HEIGHT

- Standard model fits up to 8 ft door, with bar height at 40"- 44". For doors up to 10 ft, use Tall Door Kit 8055.

DOOR THICKNESS

- Suits 1-3/4" standard, up to 2-1/4".

STILE WIDTH

- Minimum 2" stile. Fits narrow, medium, and wide stile aluminum doors.

PROJECTION

- 2-15/16" when fully projected, 1-15/16" when dogged.

DOGGING

- Standard dogging with hex key or cylinder dogging option. Electric dogging also available.

FASTENERS

- Standard self-tapping screws.

CYLINDERS

- See CYLINDERS section of this catalog for cylinder make, thumbturn and trim ring information. (Available separately).

CYLINDER X FIXED PULL (FUNCTION 03)

- Accepts any standard rim cylinder.

3080 ENTRY TRIM (FUNCTIONS 08, 09)

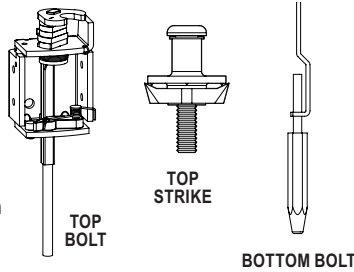
- Accepts any standard diameter mortise cylinder with MS® cam. Accommodates cylinder lengths from 1" to 1-1/4". (Available separately).

WARRANTY

- Five year limited.

Bolts and Strikes

- The patented top latching mechanism utilizes a rotating top bolt which deadlatches around the header strike, interlocking the door to the frame. Supplied with standard header strike. The hexagonal, hardened steel bottom bolt is shielded in a cast housing for strength and stability.



Options and Accessories

SILENT ELECTRIFICATION MOTORIZED LATCH RETRACTION

- The SE Motorized Latch Retraction option provides near-silent operation for quiet environments such as hospitals, offices, hotels, and libraries where solenoid-driven devices would be disruptive.

ELECTRIC LATCH RETRACTION

- The LR option uses a solenoid mounted in the pushbar for instantaneous unlocking and locking of the exit device from a remote location or access control device. LR option is not available on rim type exit devices (see EL option).

ALARMED EXIT DEVICE

- This battery-operated option emits a loud (95 decibel) alarm to notify management of unauthorized exit. Available on minimum opening width 36". Cannot be ordered with other exit device options.

REQUEST TO EXIT (REX) – MONITOR / SIGNAL SWITCH

- Mounted in the exit device pushbar on the hinge end, the switch can be used to activate signal light, horn, monitor, or other devices.

CYLINDER DOGGING

- For management control of dogging exit devices for life-safety exit devices only.

ELECTRIC DOGGING

- A holding magnet keeps the pushbar depressed (set manually) and the latch retracted for lower profile exit devices, resulting in less damage and quieter operation.

MATCHING END CAPS

- Matching end caps are available for applications where it is preferable that the end caps match the finish of the exit device. Available for US Finishes only.

AVAILABLE FINISHES

- 313 Dark Bronze Anodized
- 335 Black Anodized
- 628 Clear Anodized
- US3 Bright Brass
- US4 Satin Brass
- US32 Bright Stainless
- US32D Satin Stainless

For more detailed information on any of the options and accessories listed above please see the Accessories page of the EXIT DEVICE section of this catalog.

HOW TO ORDER 8200 SERIES (LIFE-SAFETY) NARROW STILE SURFACE VERTICAL ROD EXIT DEVICE

Specify quantity and the following information. Order related products separately.

MODEL	PUSHBAR FINISH	ROD TYPE	DEVICE OPTIONS	MONITORING OPTION	DOOR OPENING WIDTH On pair of doors, specify HALF of the total exit opening	US FINISH	END CAPS OPTION
82	00	-	ED	M2	-36	-US3	
82 Life-Safety	00 US Finish	T Top Rod only	LR Electric Latch Retraction	M Single Switch	30 30 inches	US3 Bright Brass	MEC Matching End Caps
	11 Clear Anodized 628	- Standard rod	SE Silent Electrification Latch Retraction	M2 Dual Switch	36 36 inches	US4 Satin Brass	
	22 Dark Bronze Anodized 313		C Cylinder Dogging	(Blank) No Option	40 40 inches	US32 Bright Stainless	
	33 Black Anodized 335		ED Electric Dogging		48 48 inches	US32D Satin Stainless	
			(Blank) No Option		AXXB Alarmed Exit Device where XX is door opening width		

NOTE that Alarmed Exit Device option cannot be combined with Device Options or Monitoring Options.

ALSO NOTE: Split finishes (faceplate/pushbar) are not available.

RELATED ANSI TRIM FUNCTIONS

01	02	03	08	09	14
Exit only – no outside operation	No outside operation – pull only when dogged	Night latch – key retracts latch	Key outside unlocks/locks lever	Night latch - key unlocks trim, trim retracts latch/trim relocks when key is removed	Passage only
Cylinder Type					
N/A	N/A	Rim	Mortise	Mortise	N/A

Please see TRIM Section of this catalog for information on Pulls and Entry Trim.

RELATED PRODUCTS When purchasing this product, please consider the following related products, available separately:

Accessories	Cylinders	Trim	Power
REX-Monitor/Signal Kits. Tall Door Kit 8055.	Adams Rite exit devices are operable by either rim or mortise cylinders depending upon the ANSI/BHMA functions of the exit device.	Entry trim and fixed pulls.	PS-SE, PS-LR, and 4612 Power Transfer Device.

3300 Series (Fire-Rated) 8300 Series (Life-Safety) Mortise Exit Device

HOLLOW
METAL

WOOD

ELECTRIFIED
OPTION

FIRE RATED



GRADE 1

3300 SERIES ONLY

3300 SERIES

MODEL	TYPE	FIRE RATING	DOOR CONSTRUCTION	MAX SIZE SINGLE DOORS	MAX SIZE PAIRS & DOUBLE EGRESS
3300	Single Point Mortise	3 Hr	Hollow metal or wood	4'0" x 8'0"	8'0" x 8'0"

*May be used with 3100 or 3600 Series with an open back strike.

Features

- Heavy duty deadlatching mechanism
- Strong, durable construction for a high level of security
- Easy to install
- Clean, unobtrusive design
- Pushbar clad or anodized, not plated, in a variety of finishes

Specifications

3300 SERIES CERTIFICATIONS:

- UL Panic-Fire Exit Hardware, 3-Hour Fire Label
- UL 305 Panic Hardware
- California State Fire Marshall
- New York City MEA*
- Warnock/Hersey Listing

8300 SERIES CERTIFICATIONS:

- UL 305 Panic Hardware
- ANSI/BHMA A156.3 Grade 1
- California State Fire Marshall
- New York City MEA*

*Consult Factory for specific number

MATERIALS

- Pushbar made of extruded aluminum, clad, or anodized in a variety of finishes.

HANDING

- Specify handing and bevel if applicable. Lever Entry Trim is field reversible.

PUSHBAR LENGTH

- Standard sizes: dimensioned for 30", 36", 42", and 48" openings. Standard width bars can be field cut to the next smallest opening width.

DOOR THICKNESS

- Suits 1-3/4" standard. Can be modified for thicker doors.

STILE WIDTH

- 3300 – Minimum 5". Door construction may require additional stile width to meet fire ratings and provide adequate strength.
- 8300 – Minimum 5".

PROJECTION

- 2-5/8" when fully projected, 1-5/8" when dogged.

DOGGING

- Standard dogging with hex key or cylinder dogging for 8300 Series only. Electric dogging also available for 3300 and 8300 Series.

FASTENERS

- Standard self-tapping screws. Optional Sex Bolt Kits 26-0584 (two required per device). Specify finish.

STRIKES

- Made of stainless steel. Supplied with exit device. See additional information below.

CYLINDERS

- See CYLINDERS section of this catalog for cylinder make, thumbturn and trim ring information. (Available separately).

CYLINDER X FIXED PULL (FUNCTION 03)

- Accepts any standard mortise cylinder with MS® cam.

3080 ENTRY TRIM (FUNCTIONS 08, 09)

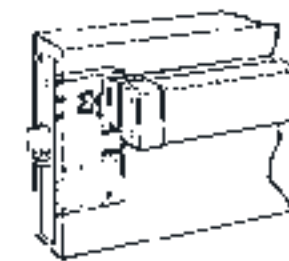
- Accepts any standard diameter mortise cylinder with MS cam. Accommodates cylinder lengths from 1" to 1-1/4". (Available separately).

WARRANTY

- Five year limited.

3300 FIRE-RATED/8300 LIFE-SAFETY

- Heavy –duty deadlatch fits ANSI A115.1 standard door and jamb prep. 2-3/4" backset.



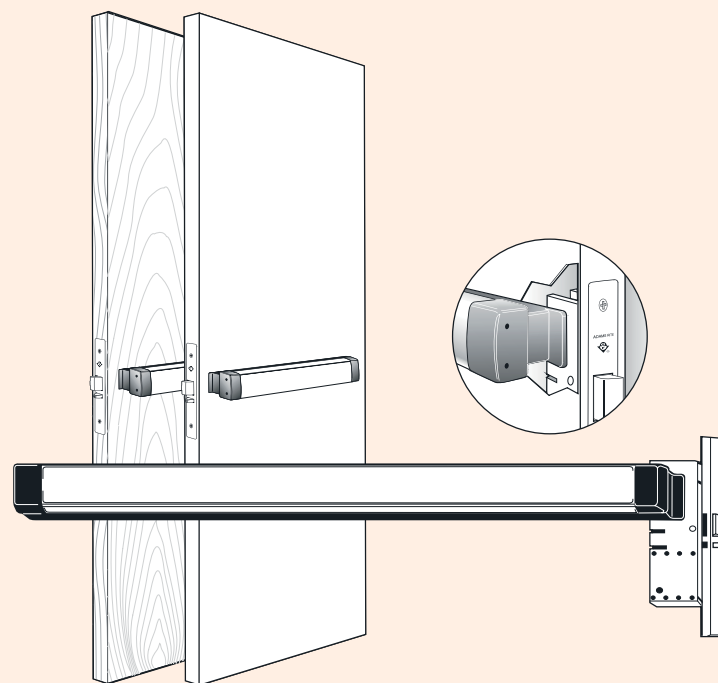
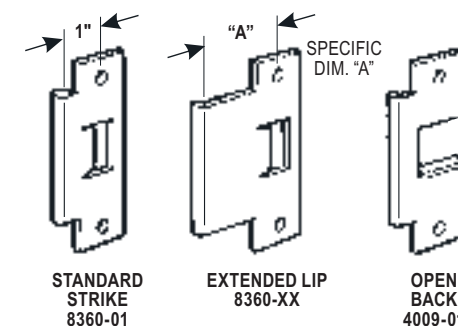
Strikes

- A variety of strikes are available for different conditions and applications.
- Standard strike (included).
- Extended Lip 8360-XX (available separately).
- Open Back 4009-01 (available separately).

Thick Door Kits (8300 Only)

- 91-0995-02* - 2" Thick Door Kit
- 91-0995-03* - 2-1/4" Thick Door Kit
- 91-0995-04* - 2-1/2" Thick Door Kit
- 91-0995-05* - 2-3/4" Thick Door Kit
- 91-0995-06* - 3" Thick Door Kit

*Order 8360-XX Long Lip Strike as required.



Options and Accessories

SILENT ELECTRIFICATION MOTORIZED LATCH RETRACTION

- The SE Motorized Latch Retraction option provides near-silent operation for quiet environments such as hospitals, offices, hotels, and libraries where solenoid-driven devices would be disruptive.

ELECTRIC LATCH RETRACTION

- The LR option uses a solenoid mounted in the pushbar for instantaneous unlocking and locking of the exit device from a remote location or access control device. LR option is not available on rim type exit devices (see EL option).

ALARMED EXIT DEVICE

- This battery-operated option emits a loud (95 decibel) alarm to notify management of unauthorized exit. Available on minimum opening width 36". Cannot be ordered with other exit device options.

REQUEST TO EXIT (REX) – MONITOR / SIGNAL SWITCH

- Mounted in the exit device pushbar on the hinge end, the switch can be used to activate signal light, horn, monitor, or other devices.

CYLINDER DOGGING

- For management control of dogging exit devices for life-safety exit devices only.

ELECTRIC DOGGING

- A holding magnet keeps the pushbar depressed (set manually) and the latch retracted for lower profile exit devices, resulting in less damage and quieter operation.

MATCHING END CAPS

- Matching end caps are available for applications where it is preferable that the end caps match the finish of the exit device. Available for US finishes only.

AVAILABLE FINISHES

- 313 Dark Bronze Anodized
- 335 Black Anodized
- 628 Clear Anodized
- US3 Bright Brass
- US4 Satin Brass
- US32 Bright Stainless
- US32D Satin Stainless

For more detailed information on any of the options and accessories listed above please see the Accessories page of the EXIT DEVICE section of this catalog.

HOW TO ORDER 3100 SERIES (FIRE-RATED) 8100 SERIES (LIFE-SAFETY) SURFACE VERTICAL ROD EXIT DEVICE

Specify quantity and the following information. Order related products separately.

MODEL	FACEPLATE FINISH	FACE SHAPE	DEVICE OPTIONS	MONITORING OPTION	DOOR HANDING	PUSHBAR FINISH	DOOR OPENING WIDTH On pair of doors, specify HALF of the total exit opening	US FINISH	END CAPS OPTION
83	3	0	ED	M	-7	3	A36B		
33 Fire Rated	0 US Finish	0 Flat (3300 only)	LR Electric Latch Retraction	M Single Switch	7 RHR	0 US Finish	30 30 inches	US3 Bright Brass	MEC Matching End Caps
83 Life-Safety	1 Clear Anodized 628	2 Bevel (8300 only)	SE Silent Electrification Latch Retraction	M2 Dual Switch	8 LHR	1 Clear Anodized 628	36 36 inches	US4 Satin Brass	
	2 Dark Bronze Anodized 313		C Cylinder Dogging (non-fire rated devices ONLY)	(Blank) No Monitor		2 Dark Bronze Anodized 313	40 40 inches	US32 Bright Stainless	
	3 Black Anodized 335		ED Electric Dogging			3 Black Anodized 335	48 48 inches	US32D Satin Stainless	
			- Without Options				AXXB Alarmed Exit Device where XX is door opening width		

NOTE that Alarmed Exit Device option cannot be combined with Device Options or Monitoring Options.

ALSO NOTE: Split finishes (faceplate/pushbar) are not available.

RELATED ANSI TRIM FUNCTIONS

01	02	03	08	09	14
Exit only – no outside operation	No outside operation – pull only when dogged	Night latch – key retracts latch	Key outside unlocks/locks lever	Key unlocks trim, trim retracts latch/trim relocks when key is removed	Passage only
Cylinder Type					
N/A	N/A	Mortise	Mortise	Mortise	N/A

Please see TRIM Section of this catalog for information on Pulls and Entry Trim.

RELATED PRODUCTS

When purchasing this product, please consider the following related products, available separately:

Accessories	Cylinders	Trim	Power
REX-Monitor/Signal Kits. Optional Sex Bolt Kits 26-0584 (two required per device). Thick Door Kits, Extended Lip Strike 8360-XX, and Open Back Strike 4009-01.	Adams Rite exit devices are operable by either rim or mortise cylinders depending upon the ANSI/BHMA functions of the exit device.	Entry trim and fixed pulls.	PS-SE, PS-LR, and 4612 Power Transfer Device.

8400 Series (Life-Safety) Narrow Stile Mortise Exit Device

ELECTRIFIED
OPTION

ALUMINUM



GRADE 1

Features

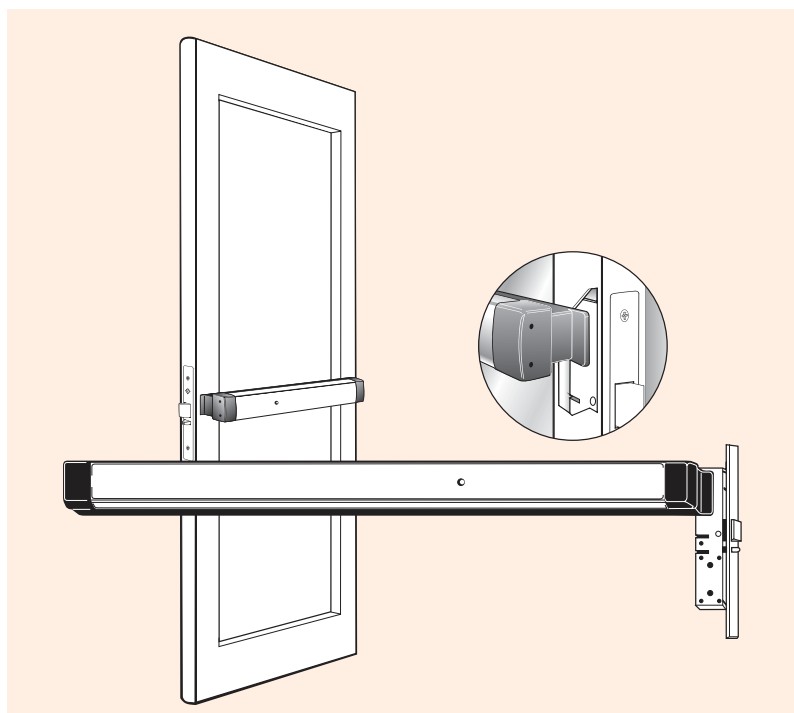
- Heavy duty deadlatching mechanism
- Strong, durable construction for a high level of security
- Easy to install
- Clean, unobtrusive design
- Pushbar clad or anodized, not plated, in a variety of finishes
- Fits standard cutout used for the Adams Rite MS® Deadlock on aluminum stile glass doors.

Specifications

8400 SERIES CERTIFICATIONS:

- UL 305 Panic Hardware
- California State Fire Marshall
- ANSI/BHMA A156.3 Grade 1
- New York City MEA*

*Consult Factory for specific number



MATERIALS

- Pushbar made of extruded aluminum, clad or anodized in a variety of finishes.

HANDING

- Specify handing and bevel if applicable. Lever Entry Trim is field reversible.

PUSHBAR LENGTH

- Standard sizes: dimensioned for 30", 36", 42", and 48" openings. Standard width bars can be field cut to the next smallest opening width.

BACKSET

- Backsets available in 31/32", 1-1/8", and 1-1/2".

DOOR THICKNESS

- Suits 1-3/4" standard. Can be modified for thicker doors.

STILE WIDTH

- Minimum 2" Stile. Fits narrow, medium, and wide stile aluminum doors.

PROJECTION

- 2-5/8" when fully projected, 1-5/8" when dogged.

DOGGING

- Standard dogging with hex key or cylinder dogging option. Electric dogging also available.

FASTENERS

- Standard self-tapping screws.

CYLINDERS

- See CYLINDERS section of this catalog for cylinder make, thumbturn and trim ring information. (Available separately).

CYLINDER X FIXED PULL (FUNCTION 03)

- Accepts any standard mortise cylinder with MS® cam.

3080 ENTRY TRIM (FUNCTIONS 08, 09)

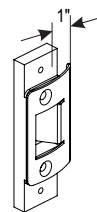
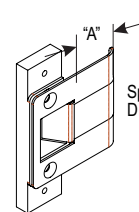
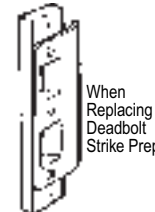
- Accepts any standard diameter mortise cylinder with MS cam. Accommodates cylinder lengths from 1" to 1-1/4". (Available separately).

WARRANTY

- Five year limited.

Strikes

- Made of stainless steel. Standard Strike supplied with exit device. A variety of strikes are available for different applications and conditions.

STANDARD
STRIKE
(INCLUDED)EXTENDED LIP
8460-17
(OPTIONAL)LONGFACE
8455-01
(OPTIONAL)Specify
DIM. "A"When
Replacing
Deadbolt
Strike Prep

Thick and Cladded Door Kits

- 91-0995-02* - 2" Thick Door Kit
 - 91-0995-03* - 2-1/4" Thick Door Kit
 - 91-0995-04* - 2-1/2" Thick Door Kit
 - 91-0995-05* - 2-3/4" Thick Door Kit
 - 91-0995-06* - 3" Thick Door Kit
 - 91-0325-01 – Thermal Door Kit – 1/4" Cladding
 - 91-0325-02 – Thermal Door Kit – 1/2" Cladding
- *Order 8460-XX Long Lip Strike as required.

Options and Accessories

SILENT ELECTRIFICATION MOTORIZED LATCH RETRACTION

- The SE Motorized Latch Retraction option provides near-silent operation for quiet environments such as hospitals, offices, hotels, and libraries where solenoid-driven devices would be disruptive.

ELECTRIC LATCH RETRACTION

- The LR option uses a solenoid mounted in the pushbar for instantaneous unlocking and locking of the exit device from a remote location or access control device. LR option is not available on rim type exit devices (see EL option).

ALARMED EXIT DEVICE

- This battery-operated option emits a loud (95 decibel) alarm to notify management of unauthorized exit. Available on minimum opening width 36". Cannot be ordered with other exit device options.

REQUEST TO EXIT (REX) – MONITOR / SIGNAL SWITCH

- Mounted in the exit device pushbar on the hinge end, the switch can be used to activate signal light, horn, monitor, or other devices.

CYLINDER DOGGING

- For management control of dogging exit devices for life-safety exit devices only.

ELECTRIC DOGGING

- A holding magnet keeps the pushbar depressed (set manually) and the latch retracted for lower profile exit devices, resulting in less damage and quieter operation.

MATCHING END CAPS

- Matching end caps are available for applications where it is preferable that the end caps match the finish of the exit device. Available for US finishes only.

AVAILABLE FINISHES

- 313 Dark Bronze Anodized
- 335 Black Anodized
- 628 Clear Anodized
- US3 Bright Brass
- US4 Satin Brass
- US32 Bright Stainless
- US32D Satin Stainless

For more detailed information on any of the options and accessories listed above please see the Accessories page of the EXIT DEVICE section of this catalog.

HOW TO ORDER 8400 SERIES (LIFE-SAFETY) NARROW STILE MORTISE EXIT DEVICE

Specify quantity and the following information. Order related products separately.

MODEL	FACEPLATE FINISH	FACE SHAPE	DEVICE OPTIONS	MONITORING OPTION	BACKSET	DOOR HANDING	PUSHBAR FINISH	DOOR OPENING WIDTH On pair of doors, specify HALF of the total exit opening	US FINISH	END CAPS OPTION
84	1	4	SE	M2	-4	7	1	40		
84 Life-Safety	0 US Finish	0 Flat, Radius, Bevel	LR Electric Latch Retraction	M Single Switch	2 31/32"	7 RHR	0 US Finish	30 30 inches	US3 Bright Brass	MEC Matching End Caps
	1 Clear Anodized 628	4 Radius w/ Weatherstrip	SE Silent Electrification Latch Retraction	M2 Dual Switch	3 1-1/8"	8 LHR	1 Clear Anodized 628	36 36 inches	US4 Satin Brass	
	2 Dark Bronze Anodized 313		C Cylinder Dogging	(Blank) No Monitor	4 1-1/2"		2 Dark Bronze Anodized 313	40 40 inches	US32 Bright Stainless	
	3 Black Anodized 335		ED Electric Dogging				3 Black Anodized 335	48 48 inches	US32D Satin Stainless	
			- Without Options					AXXB Alarmed Exit Device where XX is door opening width		

NOTE that Alarmed Exit Device option cannot be combined with Device Options or Monitoring Options.

ALSO NOTE: Split finishes (faceplate/pushbar) are not available.

RELATED ANSI TRIM FUNCTIONS

01 Exit only – no outside operation Cylinder Type N/A	02 No outside operation – pull only when dogged N/A	03 Night latch – key retracts latch Mortise	08 Key outside unlocks/locks lever Mortise	09 Night latch - key unlocks trim, trim retracts latch/trim relocks when key is removed Mortise	14 Passage only N/A
---	--	--	---	--	--------------------------------------

Please see TRIM Section of this catalog for information on Pulls and Entry Trim.

RELATED PRODUCTS When purchasing this product, please consider the following related products, available separately:

Accessories REX-Monitor/Signal Kits. Thick or Cladded Door Kits, 8360-17 Extended Lip Strike, 8455-01 Longface, 8460-XX Long Lip Strike.	Cylinders Adams Rite exit devices are operable by either rim or mortise cylinders depending upon the ANSI/BHMA functions of the exit device.	Trim Entry trim and fixed pulls.	Power PS-SE, PS-LR, and 4612 Power Transfer Device.
---	--	--	---

3600 Series (Fire-Rated) 8500 Series (Life-Safety) Metal Door Concealed Vertical Rod Exit Device

HOLLOW
METALELECTRIFIED
OPTION

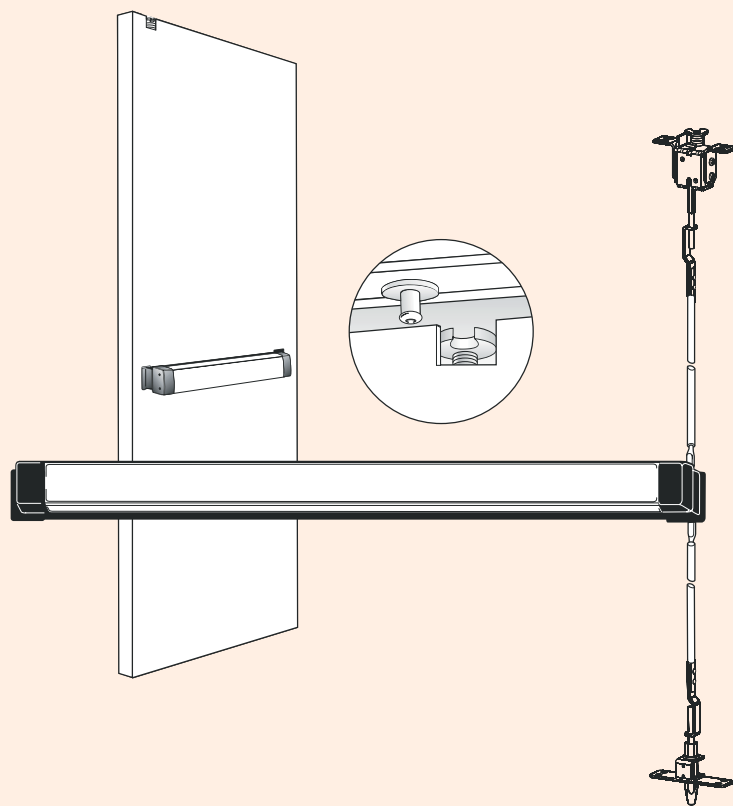
FIRE RATED



GRADE 1

3600 SERIES ONLY

3600 SERIES					
MODEL	TYPE	FIRE RATING	DOOR CONSTRUCTION	MAX SIZE SINGLE DOORS	MAX SIZE PAIRS & DOUBLE EGRESS
3600	CVR	3 Hr	Hollow metal	N/A	8'0" x 8'0"
3600T	CVR-TRO	1-1/2 Hr	Hollow meta	N/A	8'0" x 8'0"



Features

- Patented top latching mechanism interlocks door to frame
- Strong, durable construction for a high level of security
- Adjustable steel rods protected in contoured covers
- Easy to install
- Clean, unobtrusive design
- Pushbar clad or anodized, not plated, in a variety of finishes
- Also available in top rod only version

Specifications

3600 SERIES CERTIFICATIONS:

- UL Panic-Fire Exit Hardware, 3-Hour Fire Label
- California State Fire Marshall
- New York City MEA*
- Warnock/Hersey Listing

8500 SERIES CERTIFICATIONS:

- UL 305 Panic Hardware
- ANSI/BHMA A156.3 Grade 1
- California State Fire Marshall
- New York City MEA*

*Consult Factory for specific number

MATERIALS

- Pushbar made of extruded aluminum, clad or anodized in a variety of finishes.

HANDING

- Device is non-handed. Lever Entry Trim is field reversible.

PUSHBAR LENGTH

- Standard sizes: dimensioned for 30", 36", 42", and 48" openings. Standard width bars can be field cut to the next smallest opening width.

DOOR HEIGHT

- Standard unit adjustable for doors up to 66" above the selected bar height. For doors over 66" above bar height, up to 10 ft use 3655 Tall Door Kit.

DOOR THICKNESS

- Suits 1-3/4" standard, up to 2-1/4".

STILE WIDTH

- 3600 – Minimum 3-1/2". Door construction may require additional stile width to meet fire ratings and provide adequate strength.
- 8500 – Minimum 3-1/2".

PROJECTION

- 2-5/8" when fully projected, 1-5/8" when dogged.

DOGGING

- Standard dogging with hex key or optional cylinder dogging for 8500 Series only. Electric dogging also available for 3600 and 8500 Series.

FASTENERS

- Standard self-tapping screws. Optional Sex Bolt Kits 26-0584 (two required per device). Specify finish.

CYLINDERS

- See CYLINDERS section of this catalog for cylinder make, thumbturn and trim ring information. (Available separately).

CYLINDER X FIXED PULL (FUNCTION 03)

- Accepts any standard mortise cylinder with MS® cam.

3080 ENTRY TRIM (FUNCTIONS 08, 09)

- Accepts any standard diameter mortise cylinder with MS® cam. Accommodates cylinder lengths from 1" to 1-1/4". (Available separately).

WARRANTY

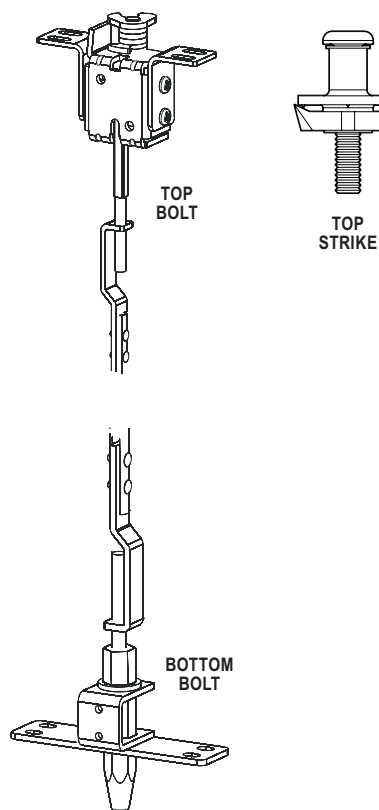
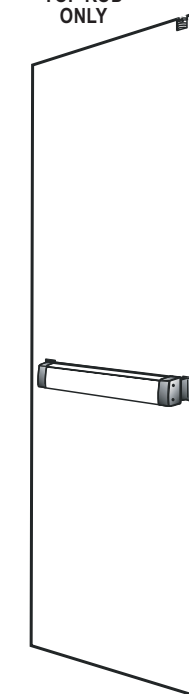
- Five year limited.

Bolts and Strikes

- The patented top latching mechanism utilizes a rotating top bolt which deadlatches around the header strike, interlocking the door to the frame. Supplied with standard header strike. The hexagonal, hardened steel bottom bolt is shielded in a cast housing for strength and stability.

Top Rod Only

- The concealed vertical rod exit device is also available with a single vertical rod on top. Specify by adding "T" after exit device number.

TOP BOLT
TOP STRIKE
BOTTOM BOLT
TOP ROD ONLY

Options and Accessories

SILENT ELECTRIFICATION MOTORIZED LATCH RETRACTION

- The SE Motorized Latch Retraction option provides near-silent operation for quiet environments such as hospitals, offices, hotels, and libraries where solenoid-driven devices would be disruptive.

ELECTRIC LATCH RETRACTION

- The LR option uses a solenoid mounted in the pushbar for instantaneous unlocking and locking of the exit device from a remote location or access control device. LR option is not available on rim type exit devices (see EL option).

ALARMED EXIT DEVICE

- This battery-operated option emits a loud (95 decibel) alarm to notify management of unauthorized exit. Available on minimum opening width 36". Cannot be ordered with other exit device options.

REQUEST TO EXIT (REX) – MONITOR / SIGNAL SWITCH

- Mounted in the exit device pushbar on the hinge end, the switch can be used to activate signal light, horn, monitor, or other devices.

CYLINDER DOGGING

- For management control of dogging exit devices for life-safety exit devices only.

ELECTRIC DOGGING

- A holding magnet keeps the pushbar depressed (set manually) and the latch retracted for lower profile exit devices, resulting in less damage and quieter operation.

MATCHING END CAPS

- Matching end caps are available for applications where it is preferable that the end caps match the finish of the exit device. Available for US finishes only.

AVAILABLE FINISHES

- 313 Dark Bronze Anodized
- 335 Black Anodized
- 628 Clear Anodized
- US3 Bright Brass
- US4 Satin Brass
- US32 Bright Stainless
- US32D Satin Stainless

For more detailed information on any of the options and accessories listed above please see the Accessories page of the EXIT DEVICE section of this catalog.

HOW TO ORDER 3600 SERIES (FIRE-RATED) 8500 SERIES (LIFE-SAFETY) METAL DOOR CONCEALED VERTICAL ROD EXIT DEVICE

Specify quantity and the following information. Order related products separately.

MODEL	PUSHBAR FINISH	ROD TYPE	DEVICE OPTIONS	MONITORING OPTION	DOOR OPENING WIDTH On pair of doors, specify HALF of the total exit opening	US FINISH	END CAPS OPTION
85	00	T	ED	M	-36	-US32D	
36 Fire Rated	00 US Finish	T Top Rod only	LR Electric Latch Retraction	M Single Switch	30 30 inches	US3 Bright Brass	MEC Matching End Caps
85 Life-Safety	11 Clear Anodized 628	- Standard rod	SE Silent Electrification Latch Retraction	M2 Dual Switch	36 36 inches	US4 Satin Brass	
	22 Dark Bronze Anodized 313		C Cylinder Dogging (non-fire rated devices only)	(Blank) No Monitor	40 40 inches	US32 Bright Stainless	
	33 Black Anodized 335		ED Electric Dogging		48 48 inches	US32D Satin Stainless	
			(Blank) No Option		AXXB Alarmed Exit Device where XX is door opening width		

NOTE that Alarmed Exit Device option cannot be combined with Device Options or Monitoring Options.

ALSO NOTE: Split finishes (faceplate/pushbar) are not available.

RELATED ANSI TRIM FUNCTIONS

01	02	03	08	09	14
Exit only – no outside operation	No outside operation – pull only when dogged	Night latch – key retracts latch	Key outside unlocks/locks lever	Night latch - key unlocks trim, trim retracts latch/trim relocks when key is removed	Passage only
Cylinder Type					
N/A	N/A	Mortise	Mortise	Mortise	N/A

Please see TRIM Section of this catalog for information on Pulls and Entry Trim.

RELATED PRODUCTS

When purchasing this product, please consider the following related products, available separately:

Accessories	Cylinders	Trim	Power
REX-Monitor/Signal Kits. Optional Sex Bolt Kits 26-0584 (two per device). 3655 Tall Door Kit. Trim Function 03 (key retracts latch) requires 8650 Cylinder Escutcheon kit.	Adams Rite exit devices are operable by either rim or mortise cylinders depending upon the ANSI/BHMA functions of the exit device.	Entry trim and fixed.	PS-SE, PS-LR, and 4612 Power Transfer Device.

8600 Series (Life-Safety) Narrow Stile Concealed Vertical Rod Exit Device

ELECTRIFIED
OPTION

ALUMINUM



GRADE 1

Features

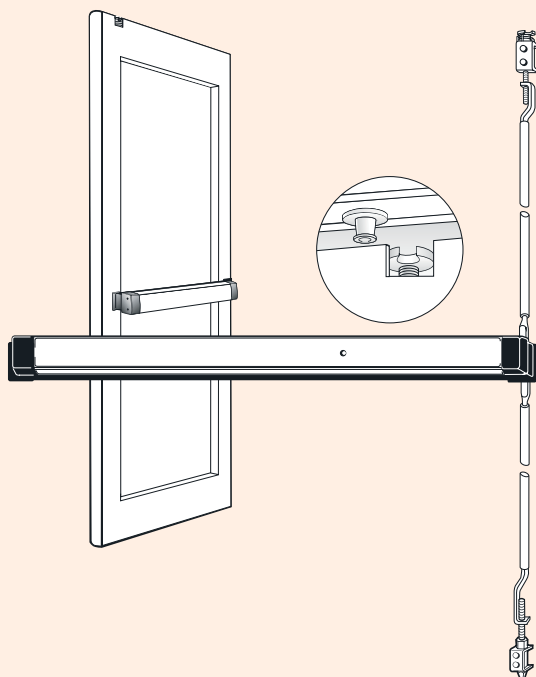
- Patented top latching mechanism interlocks door to frame
- Strong, durable construction for a high level of security
- Adjustable steel rods protected in contoured covers
- Easy to install
- Clean, unobtrusive design
- Pushbar clad or anodized, not plated, in a variety of finishes

Specifications

8600 SERIES CERTIFICATIONS:

- UL 305 Panic Hardware
- California State Fire Marshall
- ANSI/BHMA A156.3 Grade 1
- New York City MEA*

*Consult Factory for specific number



MATERIALS

- Pushbar made of extruded aluminum, clad or anodized in a variety of finishes.

HANDING

- Device is non-handed. Lever Entry Trim is field reversible.

PUSHBAR LENGTH

- Standard sizes: dimensioned for 30", 36", 42", and 48" openings. Standard width bars can be field cut to the next smallest opening width.

BAR HEIGHT

- Standard model adjusts from 30" to 44".

DOOR HEIGHT

- Standard unit adjustable for doors up to 66" above the selected bar height. For doors over 66" above bar height, up to 10 ft use 8655 Tall Door Kit.

DOOR THICKNESS

- Suits 1-3/4" standard, up to 2-1/4". Device requires modification when used with cylinder in doors over 1-3/4".

STILE WIDTH

- Minimum 2" Stile. Fits narrow, medium, and wide stile aluminum doors.

STILE WALL

- Doors with stile walls other than 1/8" require modification.

PROJECTION

- 2-5/8" when fully projected, 1-5/8" when dogged.

DOGGING

- Standard dogging with hex key or cylinder dogging option. Electric dogging also available.

FASTENERS

- Standard self-tapping screws.

CYLINDERS

- See CYLINDERS section of this catalog for cylinder make, thumbturn and trim ring information. (Available separately).

CYLINDER X FIXED PULL (FUNCTION 03)

- Accepts any standard mortise cylinder with MS® cam.

3080 ENTRY TRIM (FUNCTIONS 08, 09)

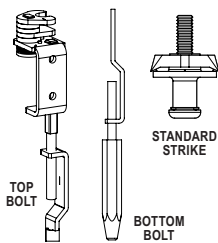
- Accepts any standard diameter mortise cylinder with MS cam. Accommodates cylinder lengths from 1" to 1-1/4". (Available separately).

WARRANTY

- Five year limited.

Bolts and Strikes

- The patented top latching mechanism utilizes a rotating top bolt which deadlatches around the header strike, interlocking the door to the frame. Supplied with standard header strike. The hexagonal, hardened steel bottom bolt is shielded in a cast housing for strength and stability.



Options and Accessories

SILENT ELECTRIFICATION MOTORIZED LATCH RETRACTION

- The SE Motorized Latch Retraction option provides near-silent operation for quiet environments such as hospitals, offices, hotels, and libraries where solenoid-driven devices would be disruptive.

ELECTRIC LATCH RETRACTION

- The LR option uses a solenoid mounted in the pushbar for instantaneous unlocking and locking of the exit device from a remote location or access control device. LR option is not available on rim type exit devices (see EL option).

ALARMED EXIT DEVICE

- This battery-operated option emits a loud (95 decibel) alarm to notify management of unauthorized exit. Available on minimum opening width 36". Cannot be ordered with other exit device options.

REQUEST TO EXIT (REX) – MONITOR / SIGNAL SWITCH

- Mounted in the exit device pushbar on the hinge end, the switch can be used to activate signal light, horn, monitor, or other devices.

CYLINDER DOGGING

- For management control of dogging exit devices for life-safety exit devices only.

ELECTRIC DOGGING

- A holding magnet keeps the pushbar depressed (set manually) and the latch retracted for lower profile exit devices, resulting in less damage and quieter operation.

MATCHING END CAPS

- Matching end caps are available for applications where it is preferable that the end caps match the finish of the exit device. Available for US finishes only.

AVAILABLE FINISHES

- 313 Dark Bronze Anodized
- 335 Black Anodized
- 628 Clear Anodized
- US3 Bright Brass
- US4 Satin Brass
- US32 Bright Stainless
- US32D Satin Stainless

For more detailed information on any of the options and accessories listed above please see the Accessories page of the EXIT DEVICE section of this catalog.

HOW TO ORDER 8600 SERIES (LIFE-SAFETY) NARROW STILE CONCEALED VERTICAL ROD EXIT DEVICE

Specify quantity and the following information. Order related products separately.

MODEL	PUSHBAR FINISH	ROD TYPE	DEVICE OPTIONS	MONITORING OPTION	DOOR OPENING WIDTH On pair of doors, specify HALF of the total exit opening	US FINISH	END CAPS OPTION
86	22	T	SE	M2	-36		
86 Life-Safety	00 US Finish	T Top Rod only	LR Electric Latch Retraction	M Single Switch	30 30 inches	US3 Bright Brass	MEC Matching End Caps
	11 Clear Anodized 628	- Standard rod	SE Silent Electrification Latch Retraction	M2 Dual Switch	36 36 inches	US4 Satin Brass	
	22 Dark Bronze Anodized 313		C Cylinder Dogging	(Blank) No Monitor	40 40 inches	US32 Bright Stainless	
	33 Black Anodized 335		ED Electric Dogging		48 48 inches	US32D Satin Stainless	
			(Blank) No Option		AXXB Alarmed Exit Device where XX is door opening width		

NOTE that Alarmed Exit Device option cannot be combined with Device Options or Monitoring Options.

ALSO NOTE: Split finishes (faceplate/pushbar) are not available.

RELATED ANSI TRIM FUNCTIONS

01 Exit only – no outside operation Cylinder Type N/A	02 No outside operation – pull only when dogged N/A	03 Night latch – key retracts latch. Requires 8650 Cylinder Escutcheon kit Mortise	08 Key outside unlocks/locks lever Mortise	09 Night latch - key unlocks trim, trim retracts latch/trim relocks when key is removed Mortise	14 Passage only N/A
---	--	---	---	--	--------------------------------------

Please see TRIM Section of this catalog for information on Pulls and Entry Trim.

RELATED PRODUCTS When purchasing this product, please consider the following related products, available separately:

Accessories REX-Monitor/Signal Kits. 8655 Tall Door Kit. Trim Function 03 (key retracts latch) requires 8650 Cylinder Escutcheon kit.	Cylinders Adams Rite exit devices are operable by either rim or mortise cylinders depending upon the ANSI/BHMA functions of the exit device.	Trim Entry trim and fixed pulls.	Power PS-SE, PS-LR, and 4612 Power Transfer Device.
---	--	--	---

3700 Series (Fire-Rated) 8700 Series (Life-Safety) Rim Exit Device

HOLLOW
METAL

WOOD

ELECTRIFIED
OPTION

FIRE RATED



GRADE 1

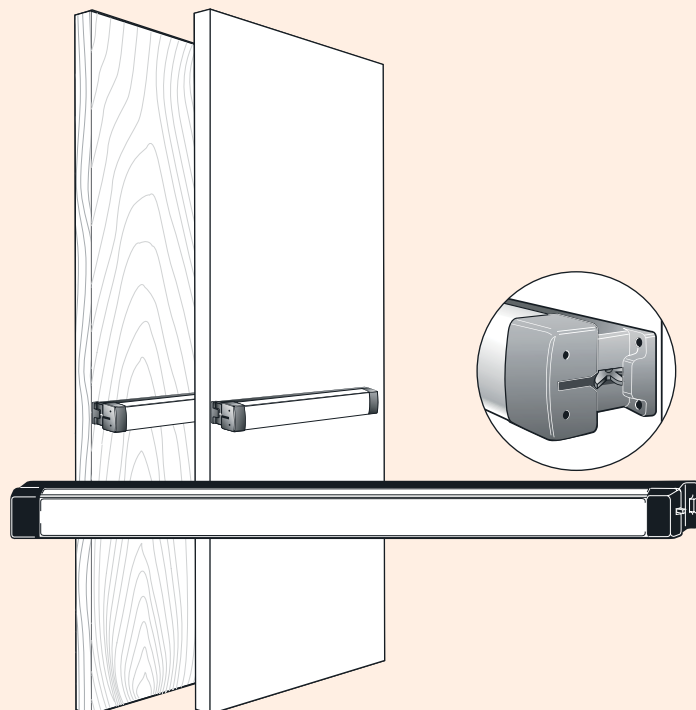
3700 SERIES ONLY

3700 SERIES

MODEL	TYPE	FIRE RATING	DOOR CONSTRUCTION	MAX SIZE SINGLE DOORS	MAX SIZE PAIRS & DOUBLE EGRESS
3700	Rim	3 Hr	Hollow metal or wood	4'0" x 8'0"	8'0" x 8'0"

Features

- Patented "Starwheel" bolt interlocks door to frame
- Strong, durable construction for a high level of security
- Easy to install
- Unobtrusive design for clean sight lines
- Pushbar clad or anodized, not plated, in a variety of finishes



Specifications

3700 SERIES CERTIFICATIONS

- UL Panic-Fire Exit Hardware, 3-Hour Fire Label
- UL 305 Panic Hardware
- California State Fire Marshall
- New York City MEA*
- Warnock/Hersey Listing

8700 SERIES CERTIFICATIONS

- UL 305 Panic Hardware
- ANSI/BHMA A156.3 Grade 1
- California State Fire Marshall
- New York City MEA*

*Consult Factory for specific number

MATERIALS

- Pushbar made of extruded aluminum, clad or anodized in a variety of finishes.

HANDING

- Device is non-handed. Lever Entry Trim is field reversible.

PUSHBAR LENGTH

- Standard sizes: dimensioned for 30", 36", 42", and 48" openings. Standard width bars can be field cut to the next smallest opening width.

DOOR THICKNESS

- Suits 1-3/4" standard, up to 2-1/4".

STILE WIDTH

- 3700 – Minimum 3-3/4". Door construction may require additional stile width to meet fire ratings and provide adequate strength.
- 8700 – Minimum 3-3/4".

PROJECTION

- 2-5/8" when fully projected, 1-5/8" when dogged.

DOGGING

- Standard dogging with hex key or cylinder dogging for 8700 Series only. Electric dogging also available for 3700 and 8700 Series.

FASTENERS

- Standard self-tapping screws. Optional Sex Bolt Kits 26-0584 (two per device). Specify finish.

CYLINDERS

- See CYLINDERS section of this catalog for cylinder make, thumbturn and trim ring information. (Available separately).

CYLINDER X FIXED PULL (FUNCTION 03)

- Accepts any standard rim cylinder.

3080 ENTRY TRIM (FUNCTIONS 08, 09)

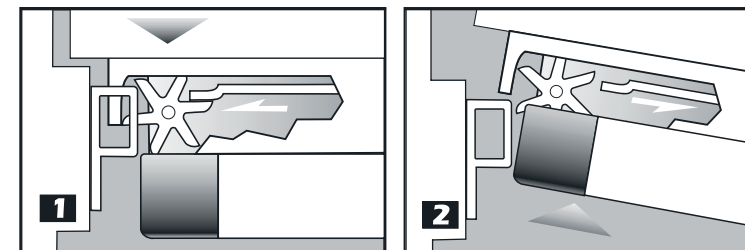
- Accepts any standard diameter mortise cylinder with MS® cam. Accommodates cylinder lengths from 1" to 1-1/4". (Available separately).

WARRANTY

- Five year limited.

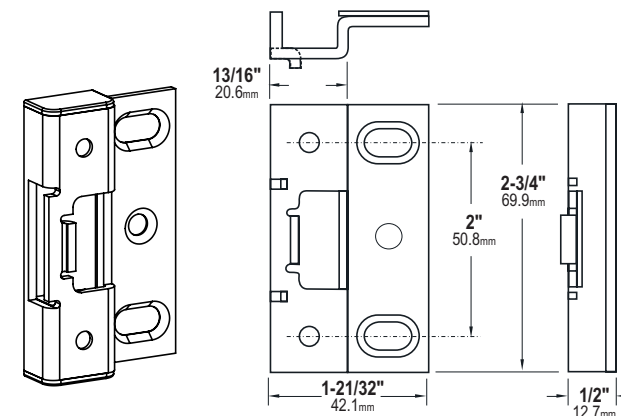
Starwheel Bolt

1. When door closes, the interlocking noseguard and starwheel bolt close around the strike. The deadlocking slide spring over, locking the starwheel bolt to the strike.
2. When pushbar is depressed, the deadlocking slide moves back, allowing the door to unlock from the strike. This unique interlock provides solid security and prevents jamb spreading.



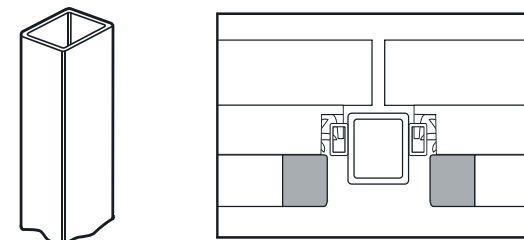
Strike

- Standard hardened steel strike (included).



Removable Mullion – 3889

- Allows the use of rim exit devices on paired doors without narrowing the doors. Provides higher security and better traffic flow than paired doors with vertical rod exit devices. The 3889 is used for fire-rated applications or with non-rated devices on wood or hollow metal doors. Available in primer only. Specify door height when ordering.



Options and Accessories

SILENT ELECTRIFICATION MOTORIZED LATCH RETRACTION

- The SE Motorized Latch Retraction option provides near-silent operation for quiet environments such as hospitals, offices, hotels, and libraries where solenoid-driven devices would be disruptive.

ELECTRIC LATCH RETRACTION

- The EL Option is offered only for our Rim Exit devices and uses a solenoid mounted in the pushbar for instantaneous unlocking and locking of the rim exit device from a remote location or access control device. The EL option is available for rim exit devices only.

ALARMED EXIT DEVICE

- This battery-operated option emits a loud (95 decibel) alarm to notify management of unauthorized exit. Available on minimum opening width 36". Cannot be ordered with other exit device options.

REQUEST TO EXIT (REX) – MONITOR / SIGNAL SWITCH

- Mounted in the exit device pushbar on the hinge end, the switch can be used to activate signal light, horn, monitor, or other devices.

CYLINDER DOGGING

- For management control of dogging exit devices for life-safety exit devices only.

ELECTRIC DOGGING

- A holding magnet keeps the pushbar depressed (set manually) and the latch retracted for lower profile exit devices, resulting in less damage and quieter operation.

MATCHING END CAPS

- Matching end caps are available for applications where it is preferable that the end caps match the finish of the exit device. Available for US finishes only.

AVAILABLE FINISHES

- 313 Dark Bronze Anodized
- 335 Black Anodized
- 628 Clear Anodized
- US3 Bright Brass
- US4 Satin Brass
- US32 Bright Stainless
- US32D Satin Stainless

For more detailed information on any of the options and accessories listed above please see the Accessories page of the EXIT DEVICE section of this catalog.

HOW TO ORDER 3700 SERIES (FIRE-RATED) 8700 SERIES (LIFE-SAFETY) RIM EXIT DEVICE

Specify quantity and the following information. Order related products separately.

MODEL	PUSHBAR FINISH	DEVICE OPTIONS	MONITORING OPTION	DOOR OPENING WIDTH On pair of doors, specify HALF of the total exit opening	US FINISH	END CAPS OPTION	
37	00	EL	M1	-36	-US3	MEC	-12
37 Fire Rated	00 US Finish	EL Electric Latch Retraction (indicate 12V/24V)	M Single Switch	30 30 inches	US3 Bright Brass	MEC Matching End Caps	12 Volts
87 Life-Safety	01 Clear Anodized 628	SE Silent Electrification Latch Retraction	M2 Dual Switch	36 36 inches	US4 Satin Brass		24 Volts
	02 Dark Bronze Anodized 313	C Cylinder Dogging	(Blank) No Monitor	40 40 inches	US32 Bright Stainless		(For EL Option Only)
	03 Black Anodized 335	ED Electric Dogging		48 48 inches	US32D Satin Stainless		
		- Without Options		AXXB Alarmed Exit Device where XX is door opening width			

NOTE that Alarmed Exit Device option cannot be combined with Device Options or Monitoring Options.

RELATED ANSI TRIM FUNCTIONS

01	02	03	08	09	14
Exit only – no outside operation	No outside operation – pull only when dogged	Night latch – key retracts latch	Key outside unlocks/locks lever	Night latch - key unlocks trim, trim retracts latch/trim relocks when key is removed	Passage only
Cylinder Type					
N/A	N/A	Rim	Mortise	Mortise	N/A

Please see TRIM Section of this catalog for information on Pulls and Entry Trim.

RELATED PRODUCTS

When purchasing this product, please consider the following related products, available separately:

Accessories	Cylinders	Trim	Power
REX-Monitor/Signal Kits. Optional Sex Bolt Kits 26-0584 (two per device).	Adams Rite exit devices are operable by either rim or mortise cylinders depending upon the ANSI/BHMA functions of the exit device.	Entry trim and fixed pulls.	4605 Transformer, 4603 Rectifier, PS-1, PS-SE, and 4612 Power Transfer Device.

8800 Series (Life-Safety) Narrow Stile Rim Exit Device

ELECTRIFIED
OPTION

ALUMINUM



GRADE 1

Features

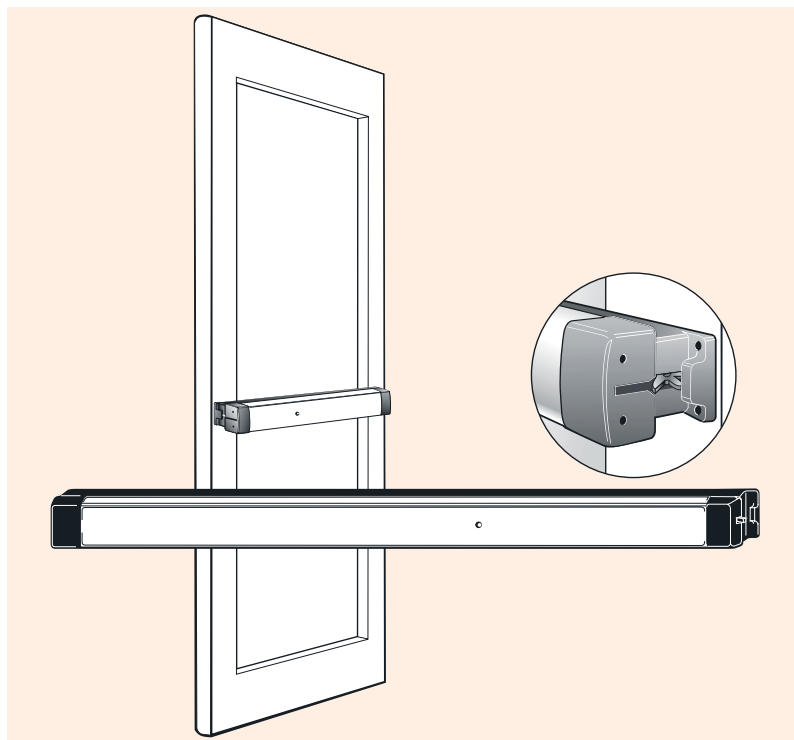
- Patented "Starwheel" bolt interlocks door to frame
- Strong, durable construction for a high level of security
- Easy to install
- Unobtrusive design for clean sight lines
- Pushbar clad or anodized, not plated, in a variety of finishes

Specifications

8800 SERIES CERTIFICATIONS:

- UL 305 Panic Hardware
- ANSI/BHMA A156.3 Grade 1
- California State Fire Marshall
- New York City MEA*

*Consult Factory for specific number



MATERIALS

- Pushbar made of extruded aluminum, clad or anodized in a variety of finishes.

HANDING

- Device is non-handed. Lever Entry Trim is field reversible.

PUSHBAR LENGTH

- Standard sizes: dimensioned for 30", 36", 42", and 48" openings. Standard width bars can be field cut to the next smallest opening width.

DOOR THICKNESS

- Suits 1-3/4" standard, up to 2-1/4".

STILE WIDTH

- Minimum 2" Stile. Fits narrow, medium, and wide stile aluminum doors.

PROJECTION

- 2-5/8" when fully projected, 1-5/8" when dogged.

DOGGING

- Standard dogging with hex key or cylinder dogging option. Electric dogging also available.

FASTENERS

- Standard self-tapping screws.

CYLINDERS

- See CYLINDERS section of this catalog for cylinder make, thumbturn and trim ring information. (Available separately).

CYLINDER X FIXED PULL (FUNCTION 03)

- Accepts any standard rim cylinder.

3080 ENTRY TRIM (FUNCTIONS 08, 09)

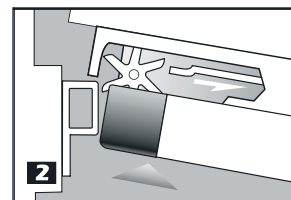
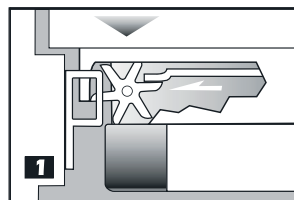
- Accepts any standard diameter mortise cylinder with MS® cam. Accommodates cylinder lengths from 1" to 1-1/4". (Available separately).

WARRANTY

- Five year limited.

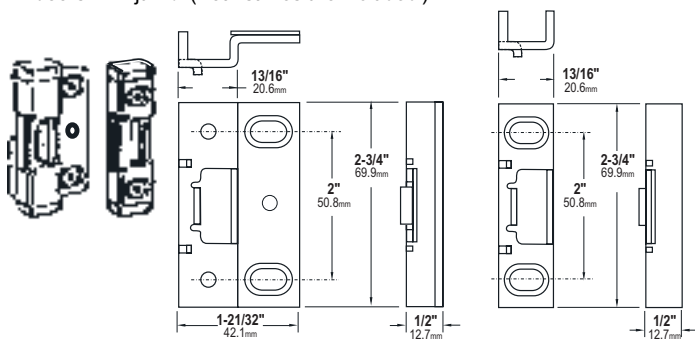
Starwheel Bolt

1. When door closes, the interlocking noseguard and starwheel bolt close around the strike. The deadlocking slide springs over, locking the starwheel bolt to the strike.
2. When pushbar is depressed, the deadlocking slide moves back, allowing the door to unlock from the strike. This unique interlock provides solid security and prevents jamb spreading.



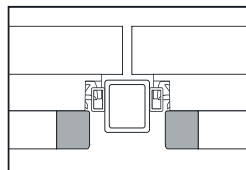
Strike

- Made of hardened steel. Standard strike and narrow versions for centering doors in 4" jamb. (Both strikes are included.)



Removable Mullion - 3890

- Allows the use of rim exit devices on paired doors without narrowing the doors. Provides higher security and better traffic flow than paired doors with vertical rod exit devices. Available in anodized 313 and 628. Specify door height when ordering.



Options and Accessories

SILENT ELECTRIFICATION MOTORIZED LATCH RETRACTION

- The SE Motorized Latch Retraction option provides near-silent operation for quiet environments such as hospitals, offices, hotels, and libraries where solenoid-driven devices would be disruptive.

ELECTRIC LATCH RETRACTION

- The EL Option is offered only for our Rim Exit devices and uses a solenoid mounted in the pushbar for instantaneous unlocking and locking

of the rim exit device from a remote location or access control device. The EL option is available for rim exit devices only.

ALARMED EXIT DEVICE

- This battery-operated option emits a loud (95 decibel) alarm to notify management of unauthorized exit. Available on minimum opening width 36". Cannot be ordered with other exit device options.

REQUEST TO EXIT (REX) – MONITOR / SIGNAL SWITCH

- Mounted in the exit device pushbar on the hinge end, the switch can be used to activate signal light, horn, monitor, or other devices.

CYLINDER DOGGING

- For management control of dogging exit devices for life-safety exit devices only.

ELECTRIC DOGGING

- A holding magnet keeps the pushbar depressed (set manually) and the latch retracted for lower profile exit devices, resulting in less damage and quieter operation.

MATCHING END CAPS

- Matching end caps are available for applications where it is preferable that the end caps match the finish of the exit device. Available for US finishes only.

AVAILABLE FINISHES

- 313 Dark Bronze Anodized
- 335 Black Anodized
- 628 Clear Anodized
- US3 Bright Brass
- US4 Satin Brass
- US32 Bright Stainless
- US32D Satin Stainless

For more detailed information on any of the options and accessories listed above please see the Accessories page of the EXIT DEVICE section of this catalog.

HOW TO ORDER 8800 SERIES (LIFE-SAFETY) NARROW STILE RIM EXIT DEVICE

Specify quantity and the following information. Order related products separately.

MODEL	PUSHBAR FINISH	DEVICE OPTIONS	MONITORING OPTION	DOOR OPENING WIDTH On pair of doors, specify HALF of the total exit opening	US FINISH	END CAPS OPTION	
88	01	C	M2	-36			-12
88 Life-Safety	00 US Finish	EL Electric Latch Retraction (indicate 12V/24V)	M Single Switch	30 30 inches	US3 Bright Brass	MEC Matching End Caps	12 Volts
	01 Clear Anodized 628	SE Silent Electrification Latch Retraction	M2 Dual Switch	36 36 inches	US4 Satin Brass		24 Volts
	02 Dark Bronze Anodized 313	C Cylinder Dogging	(Blank) No Monitor	40 40 inches	US32 Bright Stainless		(For EL Option Only)
	03 Black Anodized 335	ED Electric Dogging		48 48 inches	US32D Satin Stainless		
		- Without Options		AXXB Alarmed Exit Device where XX is door opening width			

NOTE that Alarmed Exit Device option cannot be combined with Device Options or Monitoring Options. ALSO NOTE: Split finishes (faceplate/pushbar) are not available.

RELATED ANSI TRIM FUNCTIONS

01	02	03	08	09	14
Exit only – no outside operation	No outside operation – pull only when dogged	Night latch – key retracts latch	Key outside unlocks/locks lever	Night latch - key unlocks trim, trim retracts latch/trim relocks when key is removed	Passage only
Cylinder Type					
N/A	N/A	Rim	Mortise	Mortise	N/A

Please see TRIM Section of this catalog for information on Pulls and Entry Trim.

RELATED PRODUCTS When purchasing this product, please consider the following related products, available separately:

Accessories	Cylinders	Trim	Power
REX-Monitor/Signal Kits.	Adams Rite exit devices are operable by either rim or mortise cylinders depending upon the ANSI/BHMA functions of the exit device.	Entry trim and fixed pulls.	4605 Transformer, 4603 Rectifier, PS-1, PS-SE, and 4612 Power Transfer Device.

3900 Series (Fire-Rated) 8900 Series (Life-Safety) Wood Door Concealed Vertical Rod Exit Device

HOLLOW
METAL

WOOD

ELECTRIFIED
OPTION

FIRE RATED



GRADE 1

3900 SERIES ONLY

3900 SERIES

MODEL	TYPE	FIRE RATING	DOOR CONSTRUCTION	MAX SIZE SINGLE DOORS	MAX SIZE PAIRS & DOUBLE EGRESS
3900	CVR-TRO	20 min.	Wood	4'0" x 9'0"	8'0" x 9'0"

Features

- Patented top latching mechanism interlocks door to frame
- Strong, durable construction for a high level of security
- Innovative top rod only design makes preparation easier and reduces maintenance
- Easy to install
- Clean, unobtrusive design
- Pushbar clad or anodized, not plated, in a variety of finishes

Specifications

3700 SERIES CERTIFICATIONS

- UL Panic-Fire Exit Hardware
- California State Fire Marshall
- New York City MEA*
- Warnock/Hersey Listing

8700 SERIES CERTIFICATIONS

- UL 305 Panic Hardware
- ANSI/BHMA A156.3 Grade 1
- California State Fire Marshall
- New York City MEA*

*Consult Factory for specific number

MATERIALS

- Pushbar made of extruded aluminum, clad or anodized in a variety of finishes.

HANDING

- Device is non-handed. Lever Entry Trim is field reversible.

PUSHBAR LENGTH

- Standard sizes: dimensioned for 30", 36", 42", and 48" openings. Standard width bars can be field cut to the next smallest opening width.

DOOR THICKNESS

- Suits 1-3/4" standard.

PROJECTION

- 2-5/8" when fully projected, 1-5/8" when dogged.

DOGGING

- Standard dogging with hex key or cylinder dogging for 8900 Series only. Electric dogging also available for 3900 and 8900 Series.

FASTENERS

- Standard self-tapping screws. Optional Sex Bolt Kits 26-0584 (two per device). Specify finish.

CYLINDERS

- See CYLINDERS section of this catalog for cylinder make, thumbturn and trim ring information. (Available separately).

3080 ENTRY TRIM (FUNCTIONS 08, 09)

- Accepts any standard diameter mortise cylinder with MS® cam. Accommodates cylinder lengths from 1" to 1-1/4". (Available separately).

WARRANTY

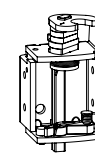
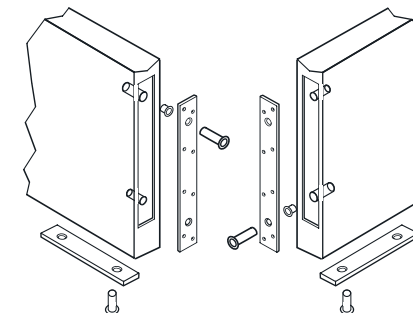
- Five year limited.

Fusible Link Fire Pins

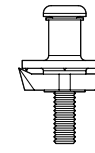
- For 20-minute Fire Doors, no fire pins are required.
- For 45-minute Fire Doors, fusible link fire pins are installed horizontally. One fire pin per door.
- For 60 and 90-minute Fire Doors, fusible link fire pins are installed vertically. One fire pin per door.

Bolts and Strikes

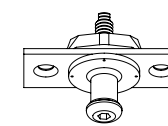
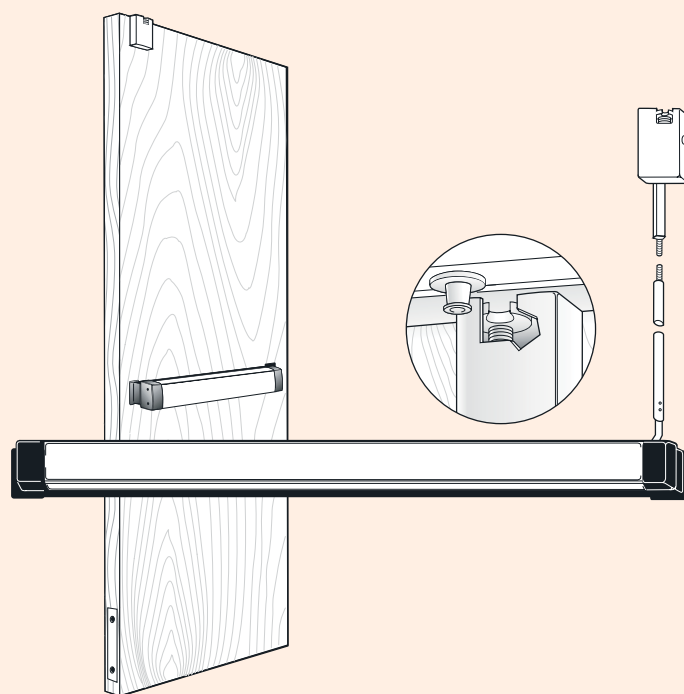
- The patented top latching mechanism utilizes a rotating top bolt which deadlatches around the header strike, interlocking the door to the frame. Supplied with standard header strike. For wood frames, an additional plate is supplied for securing the header strike.



TOP BOLT



TOP STRIKE

PLATE FOR USE WITH
WOOD FRAMES IS
FURNISHED WITH 8900

ASSA ABLOY

800.872.3267 • Fax 800.232.7329

10027 S. 51st Street, Ste 102
Phoenix, Arizona 85044

www.adamsrite.com

Options and Accessories

SILENT ELECTRIFICATION MOTORIZED LATCH RETRACTION

- The SE Motorized Latch Retraction option provides near-silent operation for quiet environments such as hospitals, offices, hotels, and libraries where solenoid-driven devices would be disruptive.

ELECTRIC LATCH RETRACTION

- The LR option uses a solenoid mounted in the pushbar for instantaneous unlocking and locking of the exit device from a remote location or access control device. LR option is not available on rim type exit devices (see EL option).

ALARMED EXIT DEVICE

- This battery-operated option emits a loud (95 decibel) alarm to notify management of unauthorized exit. Available on minimum opening width 36". Cannot be ordered with other exit device options.

REQUEST TO EXIT (REX) – MONITOR / SIGNAL SWITCH

- Mounted in the exit device pushbar on the hinge end, the switch can be used to activate signal light, horn, monitor, or other devices.

CYLINDER DOGGING

- For management control of dogging exit devices for life-safety exit devices only.

ELECTRIC DOGGING

- A holding magnet keeps the pushbar depressed (set manually) and the latch retracted for lower profile exit devices, resulting in less damage and quieter operation.

MATCHING END CAPS

- Matching end caps are available for applications where it is preferable that the end caps match the finish of the exit device. Available for US finishes only.

AVAILABLE FINISHES

- 313 Dark Bronze Anodized
- 335 Black Anodized
- 628 Clear Anodized
- US3 Bright Brass
- US4 Satin Brass
- US32 Bright Stainless
- US32D Satin Stainless

For more detailed information on any of the options and accessories listed above please see the Accessories page of the EXIT DEVICE section of this catalog.

HOW TO ORDER 3900 SERIES (FIRE-RATED) 8900 SERIES (LIFE-SAFETY) WOOD DOOR CONCEALED VERTICAL ROD EXIT DEVICE

Specify quantity and the following information. Order related products separately.

MODEL	PUSHBAR FINISH	ROD TYPE	DEVICE OPTIONS	MONITORING OPTION	DOOR OPENING WIDTH On pair of doors, specify HALF of the total exit opening	US FINISH	END CAPS OPTION
89	00	W	LR	M2	-36	-US32	
39 Fire Rated	00 US Finish	W Top Rod Wood	LR Electric Latch Retraction	M Single Switch	30 30 inches	US3 Bright Brass	MEC Matching End Caps
89 Life-Safety	11 Clear Anodized 628	- Standard rod	SE Silent Electrification Latch Retraction	M2 Dual Switch	36 36 inches	US4 Satin Brass	
	22 Dark Bronze Anodized 313		C Cylinder Dogging (non-fire rated devices only)	(Blank) No Monitor	40 40 inches	US32 Bright Stainless	
	33 Black Anodized 335		ED Electric Dogging		48 48 inches	US32D Satin Stainless	
			(Blank) No Option		AXXB Alarmed Exit Device where XX is door opening width		

NOTE that Alarmed Exit Device option cannot be combined with Device Options or Monitoring Options.

ALSO NOTE: Split finishes (faceplate/pushbar) are not available.

RELATED ANSI TRIM FUNCTIONS

01 Exit only – no outside operation Cylinder Type N/A	02 No outside operation – pull only when dogged N/A	08 Key outside unlocks/locks lever Mortise	09 Night latch - key unlocks trim, trim retracts latch/trim relocks when key is removed Mortise	14 Passage only N/A
--	--	---	--	----------------------------------

Please see TRIM Section of this catalog for information on Pulls and Entry Trim.

RELATED PRODUCTS When purchasing this product, please consider the following related products, available separately:

Accessories REX-Monitor/Signal Kits. Optional Sex Bolt Kits 26-0584 (two per device).	Cylinders Adams Rite exit devices are operable by either rim or mortise cylinders depending upon the ANSI/BHMA functions of the exit device.	Trim Entry trim and fixed pulls.	Power PS-SE, PS-LR, and 4612 Power Transfer Device.
--	--	--	---

Options & Accessories for Exit Devices

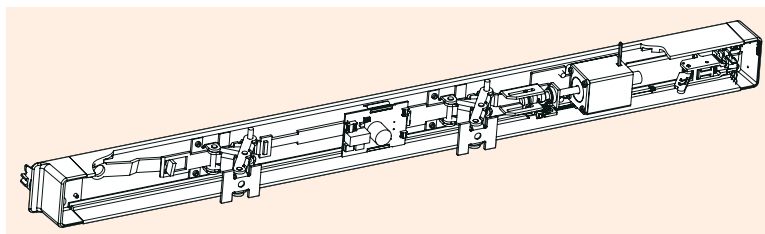
Adams Rite Exit Devices can be ordered with electrification options for standalone access control or integration with maglocks, card readers, keypads, fire alarms, power door operators, and other control systems. Different exit device types have different installation and power requirements. Please refer to product pages for more information on all available exit device types, functions, installation requirements and complete How-to-Order guides.

Silent Electrification Motorized Latch Retraction

The SE Motorized Latch Retraction option provides near-silent operation for quiet environments such as hospitals, offices, hotels, and libraries where solenoid-driven devices would be disruptive. The high speed/low current draw motor (0.4 Amps inrush current, 0.2 Amps hold current) offers a powerful yet efficient system that allows for lighter gauge wiring and an energy-saving reduced amperage power supply. The device also features electric latch retraction with electric dogging which minimizes hardware projection and noise. The SE option is available with 3000/8000 Series Exit Devices and the RITE Door®.

Order PS-SE Power Supply separately (PS-SE powers two exit devices). Rated for continuous duty (see POWER). **Adams Rite requires that for optimal performance all exit devices with the SE option be paired with PS-SE power supplies. Failure to do so may cause permanent damage to the exit device and will void the Manufacturer's warranty.**

4612 Power Transfer is available separately for secure and unobtrusive means of channeling electrical wiring from the door frame into the door itself.



Electric Latch Retraction

The EL option for rim exit devices and LR option for all other exit devices (non-rim exit devices) use a solenoid mounted in pushbar for instantaneous unlocking and locking of the exit device from a remote location or access control device. Because electrical operation of device is fail-secure, this option can be used on fire-rated as well as life-safety applications. In the event of a power failure, device automatically relocks. Rim devices with the EL option are available in 12 or 24 VDC, and can be powered with a simple transformer and rectifier or other DC power supply.

SOLENOID SPECIFICATIONS FOR CVR, SVR, AND MORTISE TYPE DEVICES (LR OPTION):

16 Amps inrush/ 0.5 Amps hold

SOLENOID SPECIFICATIONS FOR RIM DEVICES (EL OPTION):

EL-12 VDC – 1.5 Amps inrush/hold

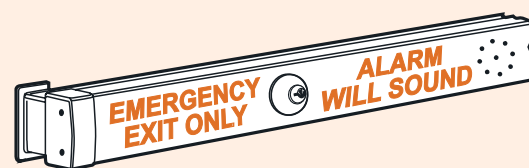
EL-24 VDC – 0.6 Amps inrush/hold

Solenoids are rated for both intermittent and continuous operation. Only rim exit devices with the "EL" application are available with mechanical dogging, specify "ELD"

Order PS-LR Power Supply separately for LR option (PS-LR powers two exit devices). For warranty purposes Adams Rite requires that all CVR, SVR, and Mortise type exit devices with the LR option be paired with PS-LR power supplies. Rated for continuous duty (see POWER).

Order PS-1 Power Supply separately for EL option (PS-1 powers two exit devices). Rated for continuous duty (see POWER).

4612 Power Transfer is available separately for secure and unobtrusive means of channeling electrical wiring from the door frame into the door itself.



Alarmed Exit Device

For all Adams Rite Exit Devices

This battery-operated option emits a loud (95 decibel) alarm to notify management of unauthorized exit. Alarm is controlled by a key in any standard Mortise cylinder with MS® cam to arm, disarm, delay, or reset the alarm. Will not alter the Life-Safety characteristics of the exit device in any way. Red letters printed on the bar give a "hands off" warning to deter accidental activation. Four AA alkaline batteries power twin horns for two minutes (or until disarmed) when pushbar is depressed. Beeps to signal need for new batteries. Minimum opening width: 36"

Request to Exit – Monitor/Signal Switch

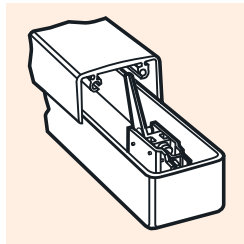
For all Adams Rite Exit Devices

M1 – Single Switch

M2 – Dual Switch

Mounted in the exit device pushbar on the hinge end, the switch can be used to activate signal light, horn, monitor, or other devices. Switch can be wired for normally open or normally closed. Can be retrofit in field to existing exit devices. Dual switch version offers redundancy as required by some building codes or it can operate a second signaling device.

Order REX-Monitor/Signal Kits for upgrading any 3000 or 8000 Series device: 91-0897-01 for Single Switch or 91-0897-02 for Dual Switch.

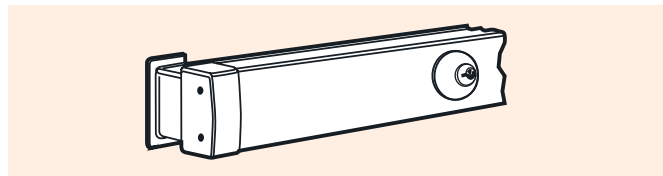
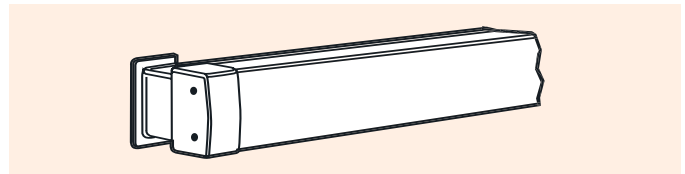


Not to be used as an access control element. SE Motorized Latch Retraction option or LR Latch Retraction option is recommended with access control devices such as card readers or keypads.

Matching End Caps

Standard Adams Rite exit devices come with black metal end caps. Matching end caps are available for applications where it is preferable that the end caps match the finish of the exit device. Available for US finishes only.

Specify by adding "MEC" after the regular ordering matrix.



Cylinder Dogging

For all non-fire rated Adams Rite Exit Devices

For management control of dogging. Any standard 15/16" to 1-1/8" long Mortise cylinder with MS® cam can be used in a pushbar prepared at factory with Cylinder Dogging kit. Not for use with Alarm, ED, EL, LR or SE options.

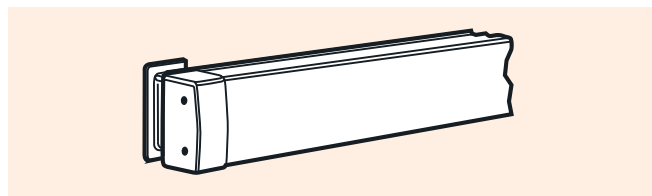
Monitored Dummy Pushbar

8099M1 – Single Switch

8099M2 – Dual Switch

8099-00 – Dummy Only

Dummy pushbar with no latch mechanism but with either a single or dual monitor/signal switch. May be used with a maglock, where bar turns off magnet and allows exit from building. Dual switch version allows redundancy where required by code or the operation of a signal device. Specify door type and width when ordering. (How to order below)



Electric Dogging

For all Adams Rite Exit Devices

The ED option uses a holding magnet that keeps the pushbar depressed (set manually) and the latch retracted for a lower profile exit device, resulting in less damage and quieter operation. An internal microswitch signals when the bar is depressed – ideal for automatic door operators. On fire-rated devices, it must be wired through the fire alarm system. Devices operate at 24 VDC at 0.6 Amps, with only a transformer and rectifier.

TRIM

3080 Series Entry Trim

The Grade 1 3080 Series Entry Trim provides outside activation for doors with any type of Adams Rite deadlatch or exit device. The locked handle is protected from vandalism and forced entry with a breakaway clutching mechanism.

3090 Keyless Entry

A battery-operated keyless entry control device, the eForce-150 3090 Keyless Entry provides access control for Adams Rite deadlocks, deadlatches, and exit devices for aluminum stile, steel, and wood door applications.

The eForce 3090P (Prox) and 3090C (iCLASS) Keyless Entries provide maximum security with either HID® Prox or iCLASS contactless card reader.

HOW TO ORDER 8099 DUMMY PUSHBAR

Specify quantity and the following information. Order related products separately.

PRODUCT NO.	MONITOR	DOOR TYPE	PUSHBAR FINISH	WIDTH	US FINISH
8099	-M1	-3	0	36	-US32
	00 Inactive Dummy Bar	3 Aluminum	0 US Finish	30 30 inches	US3 Bright Brass
	M0 Active Dummy Bar, no monitoring switches	4 Wood or hollow metal	1 Clear Anodized 628	36 36 inches	US4 Satin Brass
	M1 Active Dummy Bar, one monitoring switch		2 Dark Bronze Anodized 313	40 40 inches	US32 Bright Stainless
	M2 Active Dummy Bar, two monitoring switches		3 Black Anodized 335	48 48 inches	US32D Satin Stainless

7100, 7101 Electric Strikes



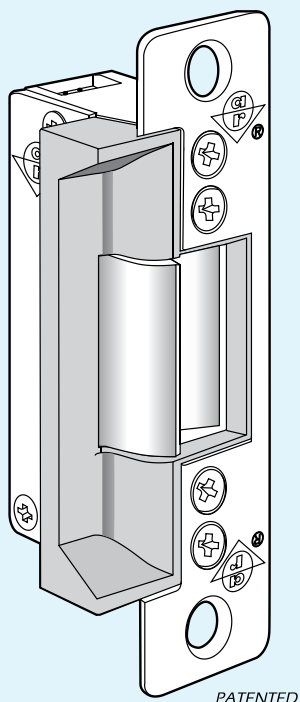
ALUMINUM

UL 1034
BURGLARY
LISTEDELECTRIFIED
PRODUCTGRADE 1
E09321

7100, 7101 Electric Strikes with 4-7/8" faceplates are designed for Adams Rite deadlatches or cylindrical locksets with 1/2" to 5/8" latchbolt projection. For use in aluminum jambs and stiles.

Function

Remote electrical control of any door equipped with an Adams Rite 4500, 4700, or 4900 Series (or similar) Deadlatch or cylindrical (key-in-knob/lever) type lockset with 1/2" to 5/8" latchbolt projection. Electrical actuation unlocks strike jaw, releasing latchbolt so door can be opened without operating latch itself. Extremely compact mechanism fits into aluminum jamb (or opposing door) sections as shallow as 1-5/8". Fits existing prep for discontinued Adams Rite 7000, 7500, 7800 Electric Strikes.



Specifications

FAIL-SAFE/FAIL-SECURE

- Field convertible from one mode to the other. However, AC intermittent solenoid must not be used continuously in either.

CASE

- Approximately 1" x 3-3/8" x 1-5/8" deep.

STRIKE LIP

- Basic 7100 strike has lip of proper length for 1-3/4" thick door that closes flush with jamb edge. Where door thickness or jamb shape differs from this standard relationship, lip extension kits are available, specified by last dash number. Not available on 7101.

STRIKE OPENING

- 5/8" x 1-7/16" x 1/2" deep. Bolt retainer jaw is stainless steel. Strike accepts bolt of any Adams Rite 4500, 4700 (discontinued), or 4900 Deadlatch or cylindrical latches.

FACEPLATE

- Measures 1-1/4" x 4-7/8". 7100 has flat faceplate; 7101 is radiused to match nose on inactive leaf in a pair of narrow stile glass doors. Available in a wide range of architectural finishes.

VOLTAGE

- Available in 12 or 24 volt AC and DC. DC continuous units are silent, AC intermittent units "buzz" on operation.

CURRENT DRAW/AMPS

VOLTS	AC INTERMITTENT	DC CONTINUOUS
12	1.42	0.33
24	0.74	0.17

STANDARD PACKAGE

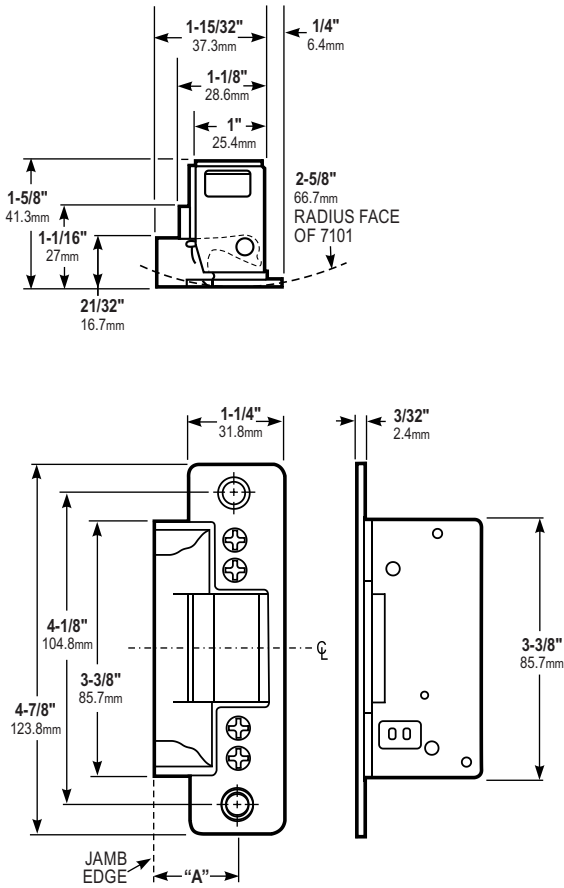
- Individually boxed with mounting screws, mounting clips, adhesive shims to accommodate jamb or stile extrusion thickness greater or less than nominal 1/8".

OPTIONS

- Available with two monitoring signal switches which sense whether latchbolt is in strike and whether strike jaw is blocked. Choice of mounting in AC and DC for intermittent or continuous duty. 7100 Electric Strike (flat faceplate) available with extended strike lip. Specify assembled for either fail-secure (locked when unpowered) or fail-safe (locked when powered) operation, but can be field converted to the other mode.

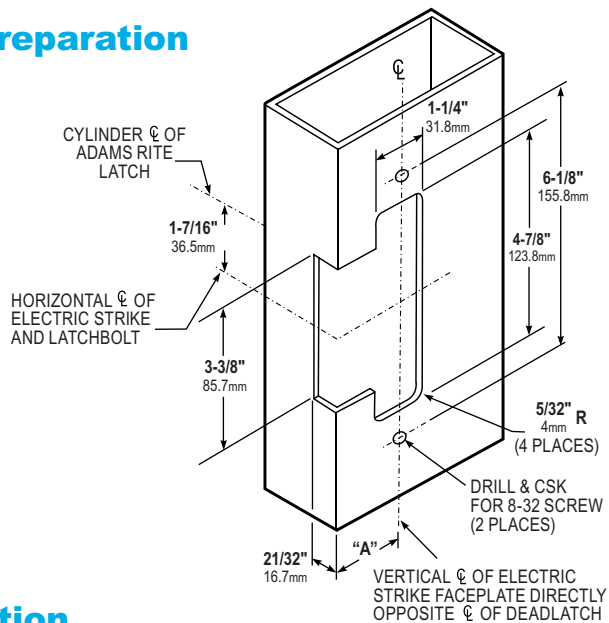
All measurements are approximate and are provided for informational purposes only. Refer to the product Installation Instructions.

Dimensions

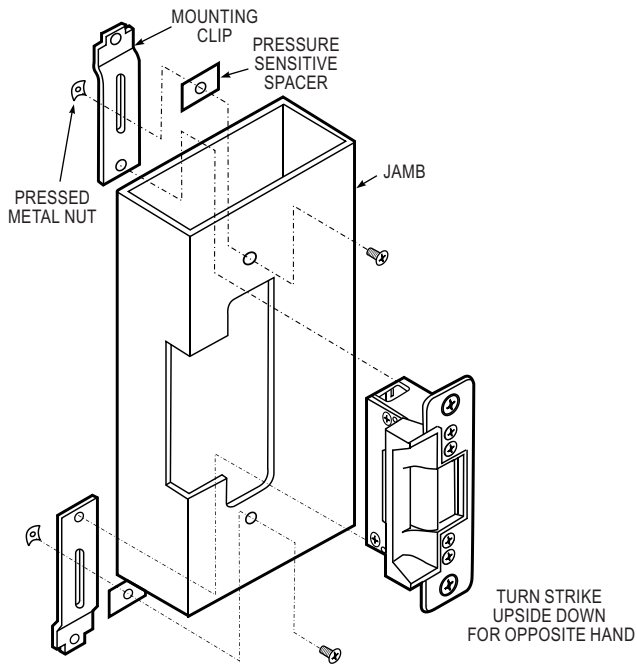


STANDARD UNIT FITS DIM. "A" UP TO 1-1/16"
(SEE HOW TO ORDER)
MOUNTING BRACKETS FURNISHED

Jamb Preparation



Installation



HOW TO ORDER 7100, 7101 ELECTRIC STRIKE

Specify quantity and the following information. Order related products separately.

PRODUCT NO.	FACEPLATE SHAPE	VOLTAGE	CURRENT AND DUTY	FEATURES*	FINISH**	LIP EXTENSIONS (DIM. A) (Door Centerline to Jamb Edge)
710	0	-3	1	0	-628	-00
	0 Flat	3 12 Volt	1 DC Continuous or Intermittent	0 Standard/Fail-Secure	313 Dark Bronze Anodized	00 1-1/16" or less 05 2"
	1 Radius	4 16 Volt	4 AC Intermittent	5 Fail-Safe	335 Black Anodized	01 1-1/2" 07 2-1/4"
		5 24 Volt		7 Monitored/ Fail-Safe	626 Satin Chrome	02 1-5/8" 09 2-1/2"
				9 Monitored/ Fail-Secure	628 Clear Anodized	03 1-3/4" 12 2-7/8"

*Fail-secure can be field converted to fail-safe or vice-versa. **7101 available in 628, 313, 335 only.

RELATED PRODUCTS

When purchasing this product, please consider the following related products, available separately:

Options

Lip extensions.

Power

4603 Rectifier, 4605/4606 Transformer, Piezo Horn audible indicator, PS-1.

Deadlatches

4500 and 4900 Series Deadlatches. Note that 4700 Deadlatch is discontinued and replaced by 4900 Deadlatch.

7110, 7111 Electric Strikes



ALUMINUM

HOLLOW
METAL

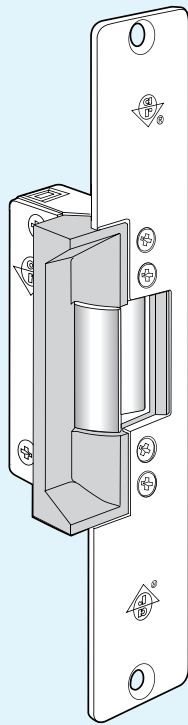
WOOD

UL 1034
BURGLARY
LISTEDELECTRIFIED
PRODUCTGRADE 1
ED9321

7110 Electric Strike with 7-15/16" faceplate and 7111 Electric Strike with 10-1/4" faceplate are designed for Adams Rite deadlatches or cylindrical locksets with 1/2" to 5/8" latchbolt projection. For use in hollow metal, wood and aluminum door jambs.

Function

Replaces earlier 002, 7510, or 7810 electric releases in either metal or wood jambs for remote electrical control of any door equipped with an Adams Rite 4500, 4700, or 4900 Series (or similar) Deadlatch or cylindrical (key-in-knob/lever) type lockset with 1/2" to 5/8" latchbolt projection. Electrical actuation unlocks strike jaw, releasing latchbolt so door can be opened without operating latch itself. Extremely compact mechanism fits into jamb sections as shallow as 1-5/8".



PATENTED

Specifications

FAIL-SAFE/FAIL-SECURE

- Field convertible from one mode to the other. However, AC intermittent solenoid must not be used continuously in either.

CASE

- Approximately 1" x 3-3/8" x 1-5/8" deep.

STRIKE LIP

- Basic 7110 strike has lip of proper length for 1-3/4" thick door that closes flush with jamb edge. Where door thickness or jamb shape differs from this standard relationship, lip extension kits are available, specified by last dash number.

STRIKE OPENING

- 5/8" x 1-7/16" x 1/2" deep. Bolt retainer jaw is stainless steel. Strike accepts bolt of any Adams Rite 4500, 4700 (discontinued), or 4900 Deadlatch or cylindrical latches.

FACEPLATE

- 7110 faceplate measures 1-7/16" x 7-15/16". 7111 faceplate measures 1-7/16" x 10-1/4". Available in a wide range of architectural finishes.

VOLTAGE

- Available in 12 or 24 volt AC and DC. DC continuous units are silent, AC intermittent units "buzz" on operation.

CURRENT DRAW/AMPS

VOLTS	AC INTERMITTENT	DC CONTINUOUS
12	1.42	0.33
24	0.74	0.17

STANDARD PACKAGE

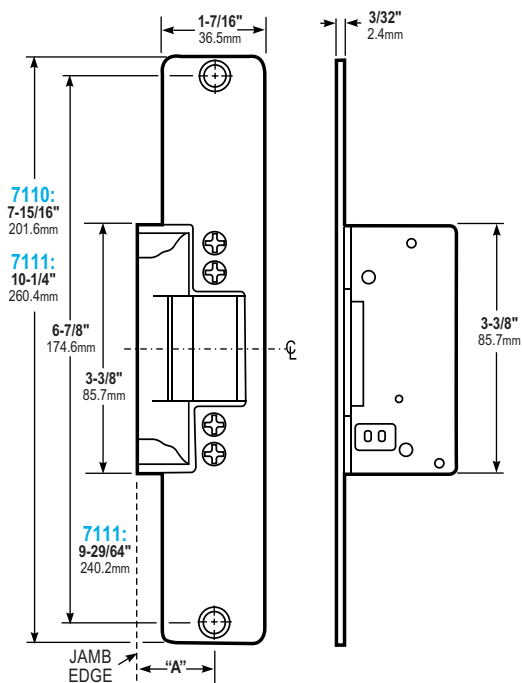
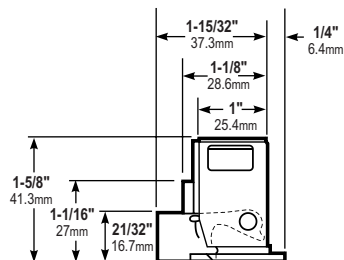
- Individually boxed with mounting screws, mounting clips, and adhesive shims to accommodate jamb or stile extrusion thickness greater or less than nominal 1/8".

OPTIONS

- Available with two monitoring signal switches which sense whether latchbolt is in strike and whether strike jaw is blocked. Choice of voltage in AC and DC for intermittent or continuous duty. Specify assembled for either fail-secure (locked when unpowered) or fail-safe (locked when powered) operation, but can be field converted to the other mode. Model 7110 and 7111 are identical except for their faceplate length.

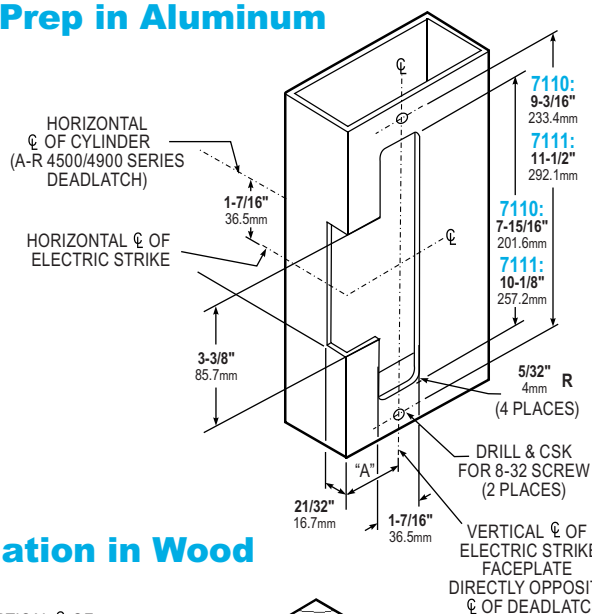
All measurements are approximate and are provided for informational purposes only. Refer to the product Installation Instructions.

Dimensions

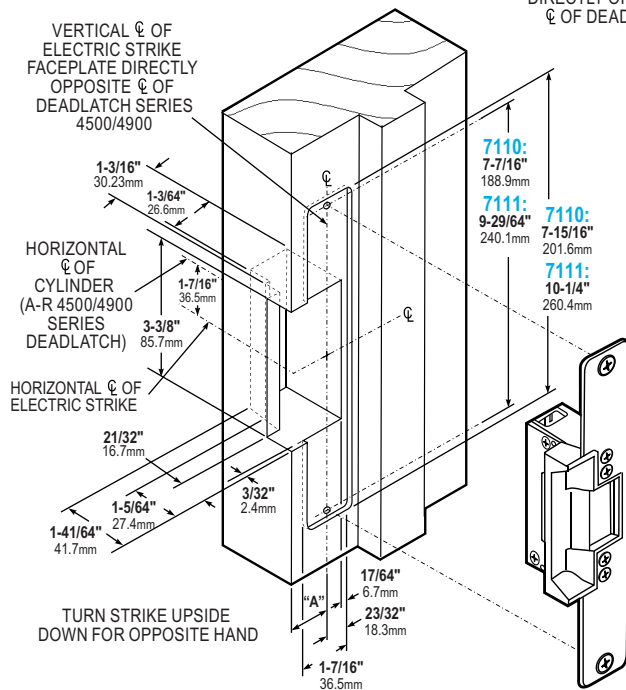


STANDARD UNIT FITS DIM. "A" UP TO 1-1/16"
(SEE HOW TO ORDER)
MOUNTING BRACKETS FURNISHED

Jamb Prep in Aluminum



Installation in Wood



HOW TO ORDER 7110, 7111 ELECTRIC STRIKE

Specify quantity and the following information. Order related products separately.

PRODUCT NO.	FACEPLATE LENGTH	VOLTAGE	CURRENT AND DUTY	FEATURES*	FINISH	LIP EXTENSIONS (DIM. A) (Door Centerline to Jamb Edge)	
711	0	-3	1	0	-652	-00	05
	0 7-15/16"	3 12 Volt	1 DC Continuous or Intermittent	0 Standard/Fail-Secure	652 Satin Chrome	00 1-1/16" or less	05 2"
	1 10-1/4"	4 16 Volt	4 AC Intermittent	5 Fail-Safe		01 1-1/2"	07 2-1/4"
		5 24 Volt		7 Monitored/ Fail-Safe		02 1-5/8"	09 2-1/2"
				9 Monitored/ Fail-Secure		03 1-3/4"	12 2-7/8"

*Fail-secure can be field converted to fail-safe or vice-versa

RELATED PRODUCTS

When purchasing this product, please consider the following related products, available separately:

Options

Lip extensions.

Power

4603 Rectifier, 4605/4606 Transformer, Piezo Horn audible indicator, PS-1.

Deadlatches

4500 and 4900 Series Deadlatches. Note that 4700 Deadlatch is discontinued and replaced by 4900 Deadlatch.

7130, 7131 Electric Strikes



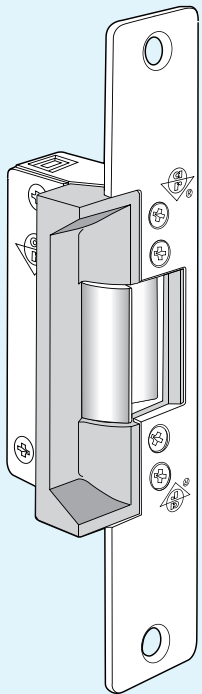
ALUMINUM

UL 1034
BURGLARY
LISTEDELECTRIFIED
PRODUCTGRADE 1
E09321

7130, 7131 Electric Strikes with 6-7/8" faceplates are designed for Adams Rite deadlatches or cylindrical locksets with 1/2" to 5/8" latchbolt projection. For use in aluminum jambs and stiles.

Function

Remote electrical control of any narrow stile or hollow metal door equipped with an Adams Rite Series 4500, 4700, or 4900 Series (or similar) Deadlatch or cylindrical (key-in-knob/lever) type lockset with 1/2" to 5/8" latchbolt projection. Large faceplate is designed to cover strike opening when converting from an MS® pivoted-bolt deadlock to a deadlatch. Electrical actuation unlocks strike jaw, releasing latchbolt so door can be opened without operating latch itself. Extremely compact mechanism fits into aluminum jamb (or opposing door) sections as shallow as 1-5/8". Replaces discontinued Adams Rite 7030, 7530, 7830 Electric Strikes.



PATENTED

Specifications

FAIL-SAFE/FAIL-SECURE

- Field convertible from one mode to the other. However, AC intermittent solenoid must not be used continuously in either.

CASE

- Approximately 1" x 3-3/8" x 1-5/8" deep.

STRIKE LIP

- Basic 7130 strike has lip of proper length for 1-3/4" thick door that closes flush with jamb edge. Where door thickness or jamb shape differs from this standard relationship, lip extension kits are available, specified by last dash number. Not available for 7131.

STRIKE OPENING

- 5/8" x 1-7/16" x 1/2" deep. Bolt retainer jaw is stainless steel. Strike accepts bolt of any Adams Rite 4500, 4700 (discontinued), or 4900 Deadlatch or cylindrical latches.

FACEPLATE

- Measures 1-1/4" x 6-7/8". 7130 has flat faceplate; 7131 is radiused to match nose on inactive leaf in a pair of narrow stile glass doors. Available in a wide range of architectural finishes.

VOLTAGE

- Available in 12 or 24 volt AC and DC. DC continuous units are silent, AC intermittent units "buzz" on operation.

CURRENT DRAW/AMPS

VOLTS	AC INTERMITTENT	DC CONTINUOUS
12	1.42	0.33
24	0.74	0.17

STANDARD PACKAGE

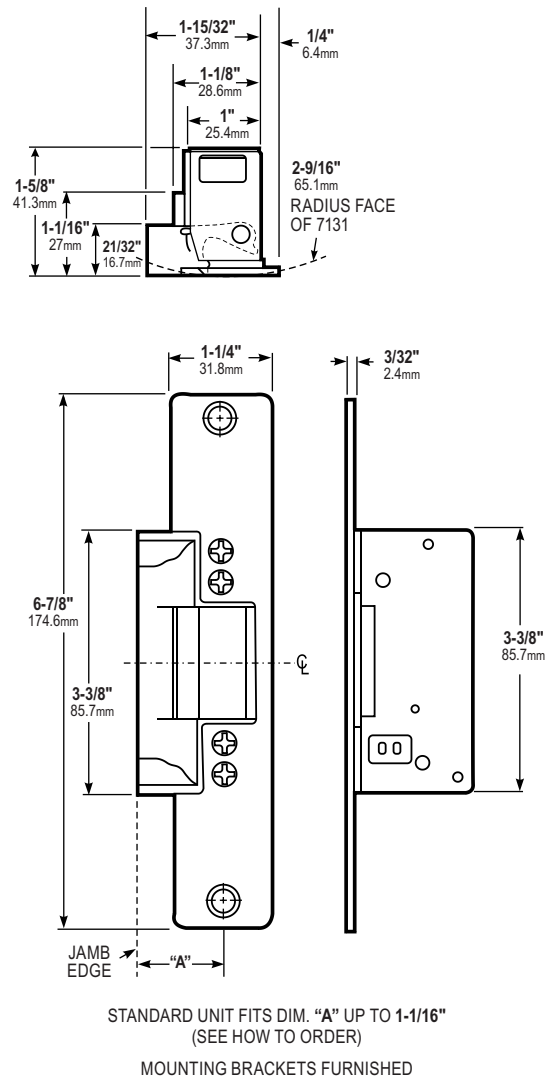
- Individually boxed with mounting screws, mounting clips, adhesive shims to accommodate jamb or stile extrusion thickness greater or less than nominal 1/8".

OPTIONS

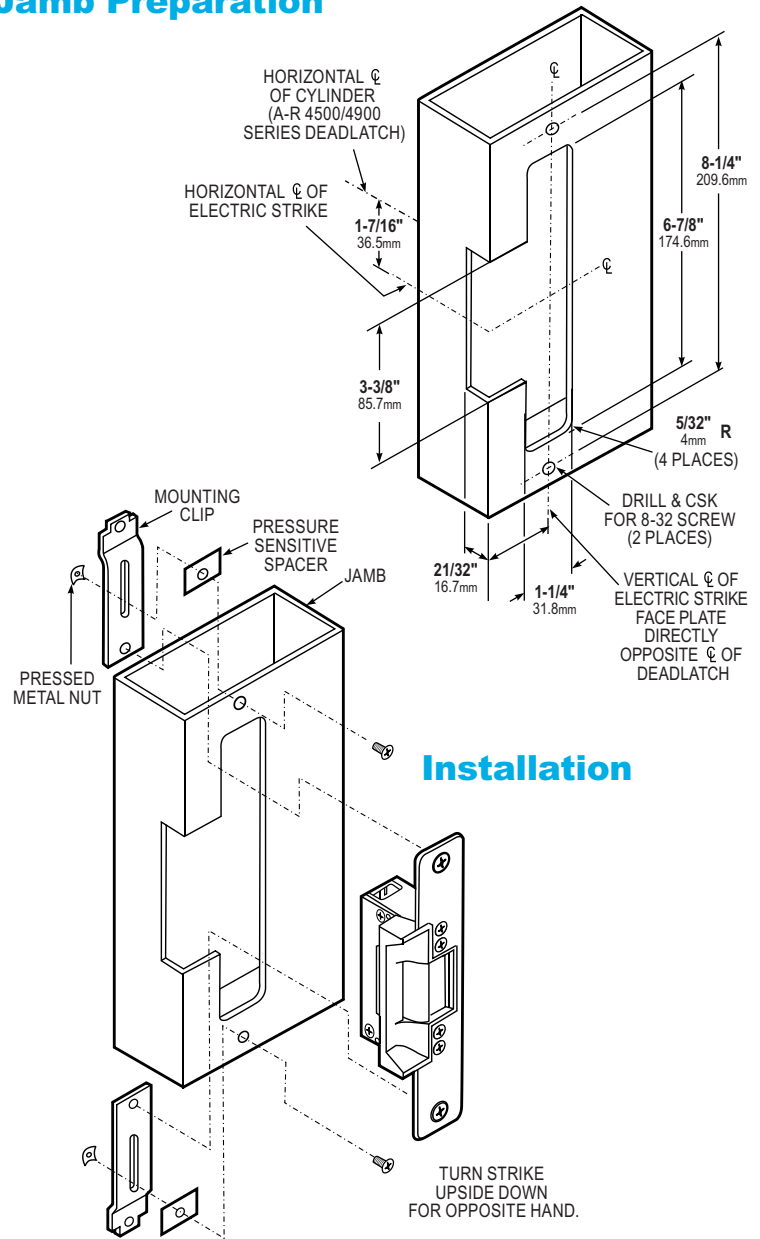
- Choice of mounting in AC and DC for intermittent or continuous duty. 7130 Electric Strike (flat faceplate) available with extended strike lip. Specify assembled for either fail-secure (locked when unpowered) or fail-safe (locked when powered) operation, but can be field converted to the other mode

All measurements are approximate and are provided for informational purposes only. Refer to the product Installation Instructions.

Dimensions



Jamb Preparation



Installation

HOW TO ORDER 7130, 7131 ELECTRIC STRIKE

Specify quantity and the following information. Order related products separately.

PRODUCT NO.	FACEPLATE LENGTH	VOLTAGE	CURRENT AND DUTY	FEATURES*	FINISH	LIP EXTENSIONS (DIM. A) (Door Centerline to Jamb Edge)	
713	0	-3	1	0	-313	-00	
	0 Flat	3 12 Volt	1 DC Continuous or Intermittent	0 Standard/Fail-Secure	313 Dark Bronze Anodized	00 1-1/16" or less	05 2"
	1 Radius	4 16 Volt	4 AC Intermittent	5 Fail-Safe	335 Black Anodized	01 1-1/2"	07 2-1/4"
		5 24 Volt			628 Clear Anodized	02 1-5/8"	09 2-1/2"
						03 1-3/4"	12 2-7/8"

*Fail-secure can be field converted to fail-safe or vice-versa

RELATED PRODUCTS

When purchasing this product, please consider the following related products, available separately:

Options

Lip extensions.

Power

4603 Rectifier, 4605/4606 Transformer, Piezo Horn audible indicator, PS-1.

Deadlatches

4500 and 4900 Series Deadlatches. Note that 4700 Deadlatch is discontinued and replaced by 4900 Deadlatch.

7140 Electric Strikes



HOLLOW
METAL



WOOD



UL 1034
BURGLARY
LISTED



ELECTRIFIED
PRODUCT

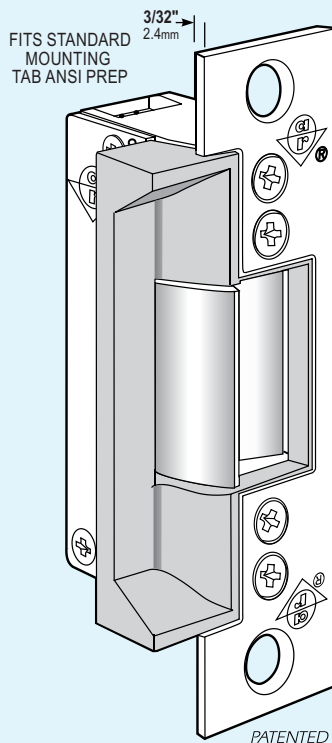


GRADE 1
E09321

7140 Electric Strikes with 4-7/8" faceplates are designed for Adams Rite deadlatches or cylindrical locksets with 1/2" to 5/8" latchbolt projection. For use in hollow metal or wood doors and jambs.

Function

Remote electrical control of any door equipped with an Adams Rite 4500, 4700, or 4900 Series (or similar) Deadlatch or cylindrical (key-in-knob/lever) type locksets with 1/2" to 5/8" latchbolt projection. Electrical actuation unlocks strike jaw, releasing latchbolt so door can be opened without operating latch itself. Extremely compact mechanism fits into aluminum jamb sections as shallow as 1-5/8". Fits existing prep for discontinued Adams Rite 7040, 7840N, 7850 Electric Strikes.



Specifications

FAIL-SAFE/FAIL-SECURE

- Field convertible from one mode to the other. However, AC intermittent solenoid must not be used continuously in either.

CASE

- Approximately 1" x 3-3/8" x 1-5/8" deep.

STRIKE LIP

- Basic 7140 strike has lip of proper length for 1-3/4" thick door that closes flush with jamb edge. Where door thickness or jamb shape differs from this standard relationship, lip extension kits are available, specified by last dash number.

STRIKE OPENING

- 5/8" x 1-7/16" x 1/2" deep. Bolt retainer jaw is stainless steel. Strike accepts bolt of any Adams Rite 4500, 4700 (discontinued), or 4900 Deadlatch or cylindrical latches.

FACEPLATE

- Measures 1-1/4 x 4-7/8". Faceplate is flat, with square corners. Available in a wide range of architectural finishes.

VOLTAGE

- Available in 12 or 24 volt AC and DC. DC continuous units are silent, AC intermittent units "buzz" on operation.

CURRENT DRAW/AMPS

VOLTS	AC INTERMITTENT	DC CONTINUOUS
12	1.42	0.33
24	0.74	0.17

STANDARD PACKAGE

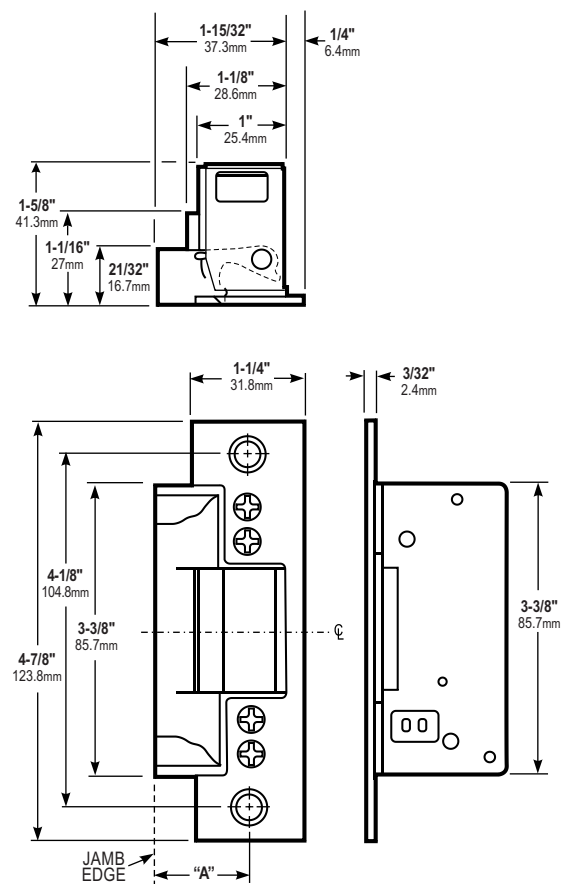
- Individually boxed with mounting screws. Includes mounting clips and adhesive shims for use where welded tabs are omitted.

OPTIONS

- Choice of mounting in AC and DC for intermittent or continuous duty. 7140 Electric Strike (flat faceplate) available with extended strike lip. Specify assembled for either fail-secure (locked when unpowered) or fail-safe (locked when powered) operation, but can be field converted to the other mode.

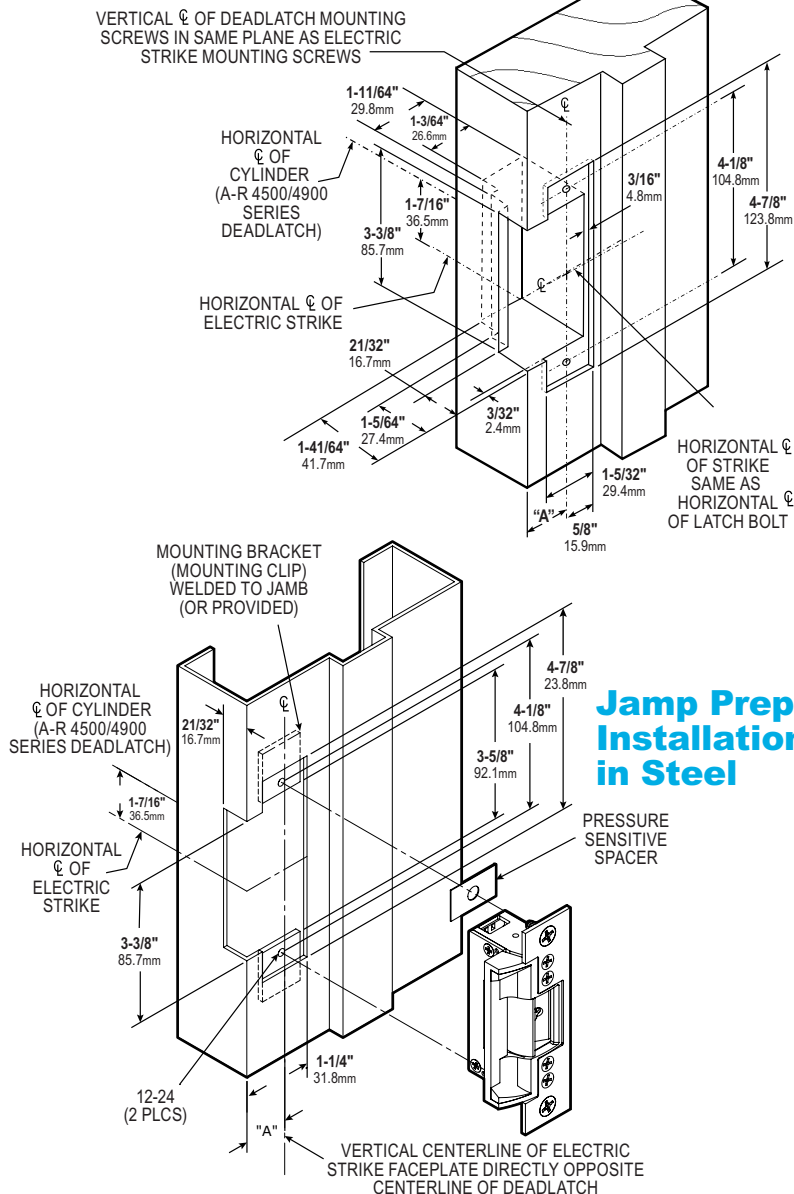
All measurements are approximate and are provided for informational purposes only. Refer to the product Installation Instructions.

Dimensions



STANDARD UNIT FITS DIM. "A" UP TO 1-1/16"
(SEE HOW TO ORDER)
MOUNTING BRACKETS FURNISHED

Jamb Prep in Wood



HOW TO ORDER 7140 ELECTRIC STRIKE

Specify quantity and the following information. Order related products separately.

PRODUCT NO.	VOLTAGE	CURRENT AND DUTY	FEATURES*	FINISH	LIP EXTENSIONS (DIM. A) (Door Centerline to Jamb Edge)
7140	-3	1	0	-628	-00
	3 12 Volt	1 DC Continuous or Intermittent	0 Standard/Fail-Secure	313 Dark Bronze Anodized	00 1-1/16" or less
	4 16 Volt	4 AC Intermittent	5 Fail-Safe	335 Black Anodized	50 1-3/8"
	5 24 Volt			626 Satin Chrome	01 1-1/2"
				628 Clear Anodized	02 1-5/8"
					03 1-3/4"
					05 2"
					07 2-1/4"
					09 2-1/2"
					12 2-7/8"

*Fail-secure can be field converted to fail-safe or vice-versa

RELATED PRODUCTS

When purchasing this product, please consider the following related products, available separately:

Options	Power	Deadlatches
Lip extensions.	4603 Rectifier, 4605/4606 Transformer, Piezo Horn audible indicator, PS-1.	4500 and 4900 Series Deadlatches. Note that 4700 Deadlatch is discontinued and replaced by 4900 Deadlatch.

7160 Electric Strike



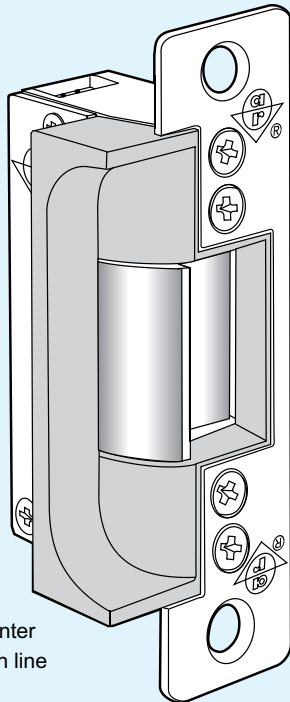
ALUMINUM

UL 1034
BURGLARY
LISTEDELECTRIFIED
PRODUCTGRADE 1
E09321

7160 Electric Strikes with 4-7/8" faceplates are designed for mortise or cylindrical type locksets with up to 3/4" latchbolt projection without deadbolt. For use in aluminum jambs.

Function

Remote electrical control of any door equipped with a mortise or cylindrical type lockset with up to 3/4" latchbolt projection without deadbolt. Electrical actuation unlocks strike jaw, releasing latchbolt so door can be opened without operating latch itself. Extremely compact mechanism fits into aluminum jamb (or opposing door) sections as shallow as 1-7/8". Fits existing prep for discontinued Adams Rite 7560, 7860 Electric Strikes.



PATENTED

All 3/4" throw latches require 1/8" minimum door gap. Horizontal center line of strike must match line of mortise latchbolt.

Specifications

FAIL-SAFE/FAIL-SECURE

- Field convertible from one mode to the other. However, AC intermittent solenoid must not be used continuously in either.

CASE

- Approximately 1" x 3-3/8" x 1-7/8" deep.

STRIKE LIP

- Basic 7160 strike has lip of proper length for 1-3/4" thick door that closes flush with jamb edge. Where door thickness or jamb shape differs from this standard relationship, lip extension kits are available, specified by last dash number.

STRIKE OPENING

- 3/4" x 1-7/16" x 5/8" deep. Bolt retainer jaw is stainless steel. Strike location must be centered on latchbolt.

FACEPLATE

- Measures 1-1/4 x 4-7/8". Faceplate is flat, with radiused corners. Available in a wide range of architectural finishes.

VOLTAGE

- Available in 12 or 24 volt AC and DC. DC continuous units are silent, AC intermittent units "buzz" on operation.

CURRENT DRAW/AMPS

VOLTS	AC INTERMITTENT	DC CONTINUOUS
12	1.42	0.33
24	0.74	0.17

STANDARD PACKAGE

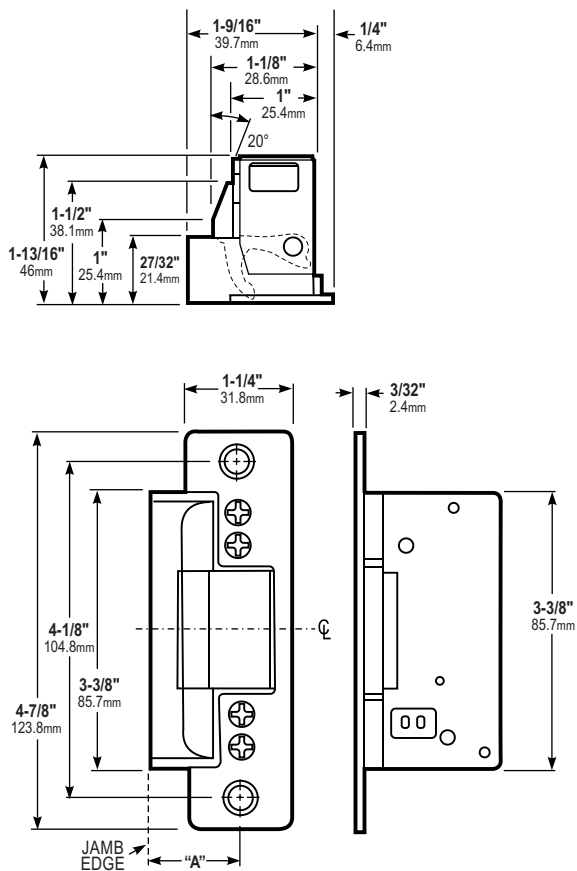
- Individually boxed with mounting screws, mounting clips, and adhesive shims to accommodate jamb extrusion thickness greater or less than nominal 1/8".

OPTIONS

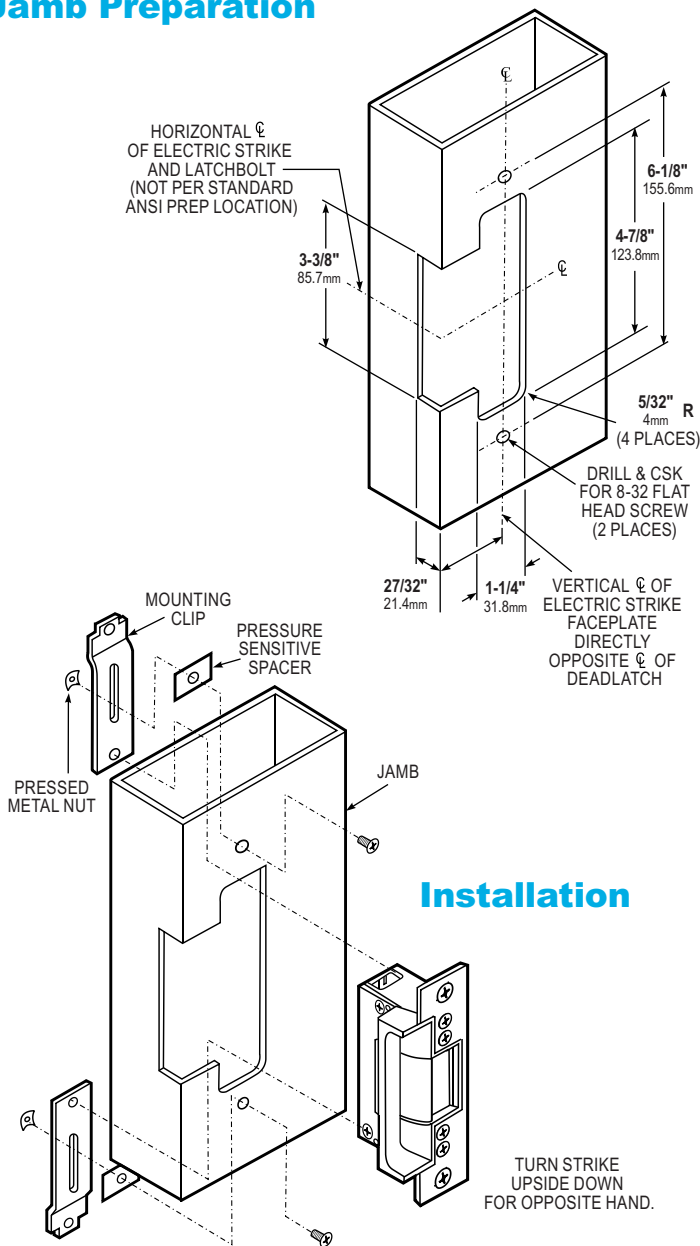
- Available with two monitoring signal switches which sense whether latchbolt is in strike and whether strike jaw is blocked. Choice of voltage in AC and DC for intermittent or continuous duty. Specify assembled for either fail-secure (locked when unpowered) or fail-safe (locked when powered) operation, but can be field converted to the other mode.

All measurements are approximate and are provided for informational purposes only. Refer to the product Installation Instructions.

Dimensions Nominal, subject to tolerance extremes



Jamb Preparation



Installation

TURN STRIKE UPSIDE DOWN FOR OPPOSITE HAND.

HOW TO ORDER 7160 ELECTRIC STRIKE Specify quantity and the following information. Order related products separately.

PRODUCT NO.	VOLTAGE	CURRENT AND DUTY	FEATURES*	FINISH	LIP EXTENSIONS (DIM. A) (Door Centerline to Jamb Edge)
7160	-3	1	0	-628	-00
	3 12 Volt	1 DC Continuous or Intermittent	0 Standard/Fail-Secure	313 Dark Bronze Anodized	00 1-1/16" or less
	4 16 Volt	4 AC Intermittent	5 Fail-Safe	335 Black Anodized	01 1-1/2"
	5 24 Volt		7 Monitor/Fail-Safe	626 Satin Chrome	02 1-5/8"
			9 Monitor/Fail-Secure	628 Clear Anodized	03 1-3/4"
					05 2"
					07 2-1/4"
					09 2-1/2"
					12 2-7/8"

*Fail-secure can be field converted to fail-safe or vice-versa

RELATED PRODUCTS When purchasing this product, please consider the following related products, available separately:

Options

Lip extensions.

Power

4603 Rectifier, 4605/4606 Transformer, Piezo Horn audible indicator, PS-1.

Deadlatches

4500 and 4900 Series Deadlatches. Note that 4700 Deadlatch is discontinued and replaced by 4900 Deadlatch.

7170 Electric Strike



HOLLOW
METAL



WOOD



UL 1034
BURGLARY
LISTED



ELECTRIFIED
PRODUCT



GRADE 1
E09321

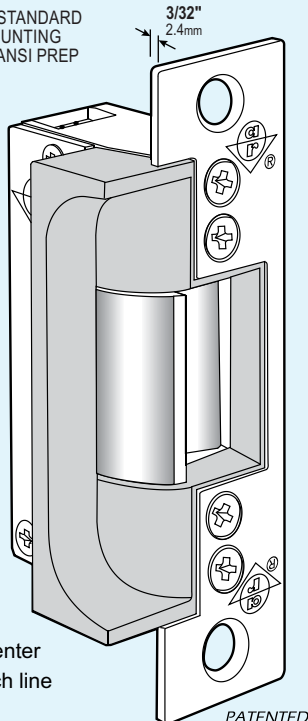
7170 Electric Strikes with 4-7/8" faceplates are designed for mortise or cylindrical type locksets with up to 3/4" latchbolt projection without deadbolt. For use in hollow metal or wood door jambs.

Function

Remote electrical control of any door equipped with a mortise or cylindrical type lockset with up to 3/4" latchbolt projection without deadbolt. Electrical actuation unlocks strike jaw, releasing latchbolt so door can be opened without operating latch itself. Extremely compact mechanism fits into hollow metal jamb sections as shallow as 1-7/8". Fits existing prep for discontinued Adams Rite 7560AN, 7570, 7860AN, 7870 Electric Strikes.

The electric strike must be positioned to accommodate offset mortise latches during installation. Please refer to installation instructions.

FITS STANDARD
MOUNTING
TAB ANSI PREP



All 3/4" throw latches require 1/8" minimum door gap. Horizontal center line of strike must match line of mortise latchbolt.

PATENTED

Specifications

FAIL-SAFE/FAIL-SECURE

- Field convertible from one mode to the other. However, AC intermittent solenoid must not be used continuously in either.

CASE

- Approximately 1" x 3-3/8" x 1-7/8" deep.

STRIKE LIP

- Basic 7170 strike has lip of proper length for 1-3/4" thick door that closes flush with jamb edge. Where door thickness or jamb shape differs from this standard relationship, lip extension kits are available, specified by last dash number.

STRIKE OPENING

- 5/8" x 1-7/16" x 5/8" deep. Bolt retainer jaw is stainless steel.

FACEPLATE

- Measures 1-1/4 x 4-7/8". Faceplate is flat, with square corners. Available in a wide range of architectural finishes.

VOLTAGE

- Available in 12 or 24 volt AC and DC. DC continuous units are silent, AC intermittent units "buzz" on operation

CURRENT DRAW/AMPS

VOLTS	AC INTERMITTENT	DC CONTINUOUS
12	1.42	0.33
24	0.74	0.17

STANDARD PACKAGE

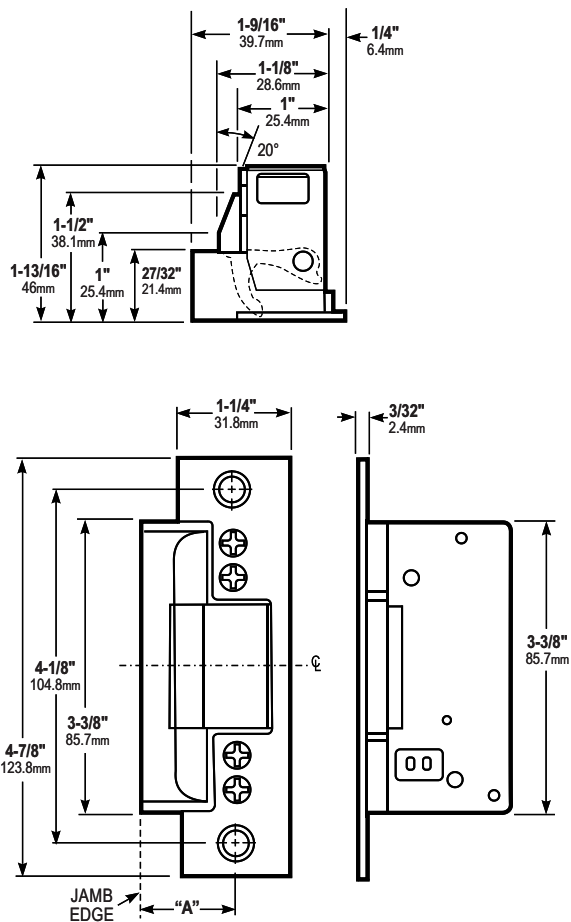
- Individually boxed with mounting screws. Includes mounting clips and adhesive shims for use where welded tabs are omitted.

OPTIONS

- Available with two monitoring signal switches which sense whether latchbolt is in strike and whether strike jaw is blocked. Choice of voltage in AC and DC for intermittent or continuous duty. Specify assembled for either fail-secure (locked when unpowered) or fail-safe (locked when powered) operation, but can be field converted to the other mode.

All measurements are approximate and are provided for informational purposes only. Refer to the product Installation Instructions.

Dimensions

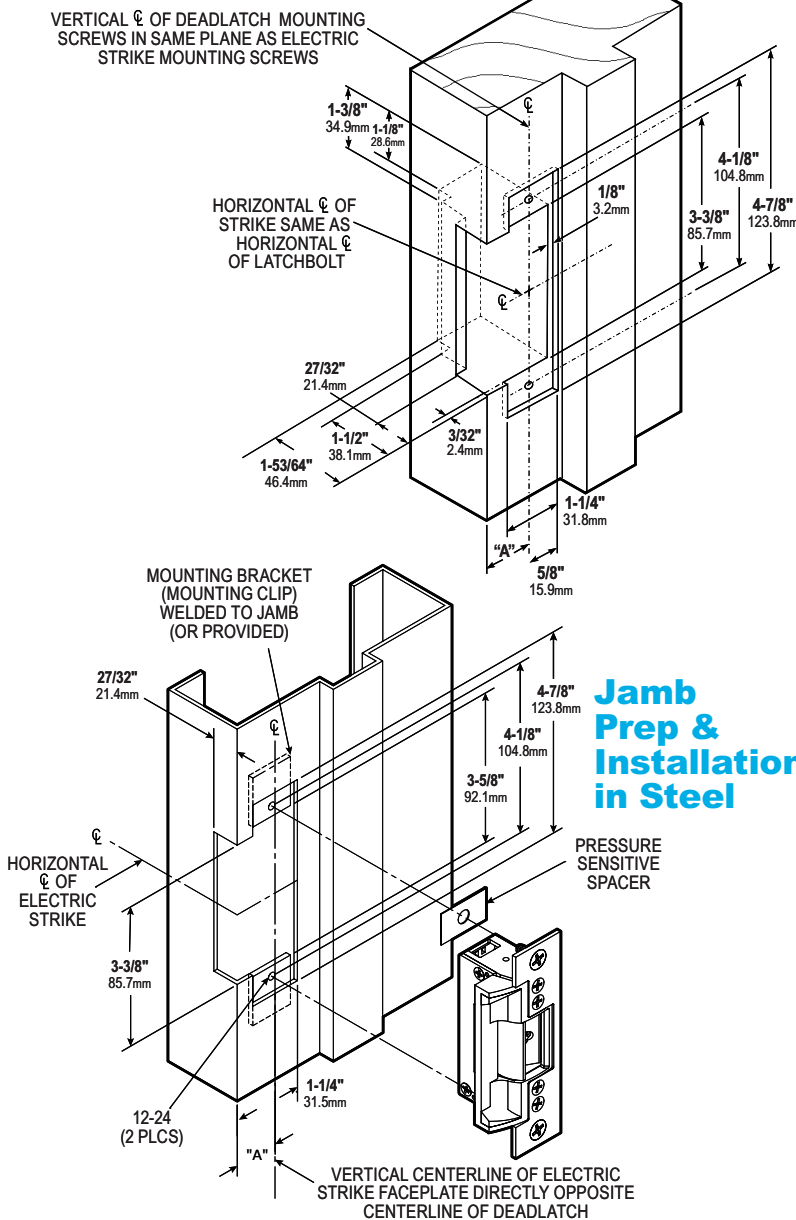


STANDARD UNIT FITS DIM. "A" UP TO 1-1/16"

(SEE HOW TO ORDER)

MOUNTING BRACKETS FURNISHED

Jamb Prep in Wood



Jamb Prep & Installation in Steel

HOW TO ORDER 7170 ELECTRIC STRIKE

Specify quantity and the following information. Order related products separately.

PRODUCT NO.	VOLTAGE	CURRENT AND DUTY	FEATURES*	FINISH	LIP EXTENSIONS (DIM. A) Door Centerline to Jamb Edge
7170	-3	1	0	-628	-00
	3 12 Volt	1 DC Continuous or Intermittent	0 Standard/Fail-Secure	313 Dark Bronze Anodized	00 1-1/16" or less v
	4 16 Volt	4 AC Intermittent	5 Fail-Safe	335 Black Anodized	50 1-3/8"
	5 24 Volt		7 Monitor/Fail-Safe	626 Satin Chrome	01 1-1/2"
			9 Monitor/Fail-Secure	628 Clear Anodized	02 1-5/8"
					03 1-3/4"
					07 2-1/4"
					09 2-1/2"
					12 2-7/8"

*Fail-secure can be field converted to fail-safe or vice-versa

RELATED PRODUCTS

When purchasing this product, please consider the following related products, available separately:

Options

Lip extensions.

Power

4603 Rectifier, 4605/4606 Transformer, Piezo Horn audible indicator, PS-1.

Deadlatches

4500 and 4900 Series Deadlatches. Note that 4700 Deadlatch is discontinued and replaced by 4900 Deadlatch.

7240 Fire-Rated Electric Strike



HOLLOW
METAL



UL 1034
BURGLARY
LISTED



ELECTRIFIED
PRODUCT



FIRE RATED
3 HOUR

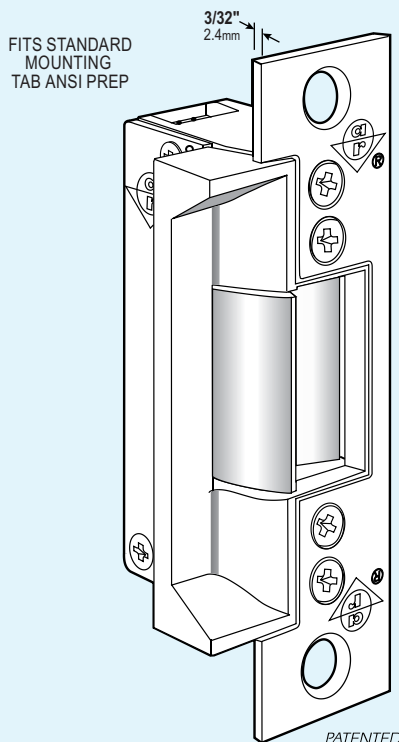


GRADE 1
E09321

7240 Fire-Rated Electric Strikes with 4-7/8" faceplates are designed for cylindrical locksets with up to 5/8" latchbolt projection. For use in hollow metal door jambs.

Function

Remote electrical control of any door equipped with cylindrical (key-in-knob/lever) type locksets with up to 5/8" latchbolt projection. Electrical actuation unlocks strike jaw, releasing latchbolt so door can be opened without operating latch itself. Extremely compact mechanism fits into jamb sections as shallow as 1-21/32". Fire-rated in fail-secure mode.



Specifications

UL10C, CAN/ULC-S104, FIRE RATED 3 HR.

CASE

- Approximately 1" x 3-3/8" x 1-5/8" deep.

STRIKE LIP

- Basic 7240 strike has lip of proper length for 1-3/4" thick door that closes flush with jamb edge.

STRIKE OPENING

- 5/8" x 1-7/16" x 9/16" deep. Bolt retainer jaw and strike lip are stainless steel. Strike accepts bolt from a variety of latchsets.

FACEPLATE

- Measures 1-1/4 x 4-7/8". Faceplate is flat, with square corners.

VOLTAGE

- Available in 12 or 24 volt AC and DC. DC continuous units are silent, AC intermittent units "buzz" on operation.

CURRENT DRAW/AMPS

VOLTS	AC INTERMITTENT	DC CONTINUOUS
12	1.42	0.33
24	0.74	0.17

STANDARD PACKAGE

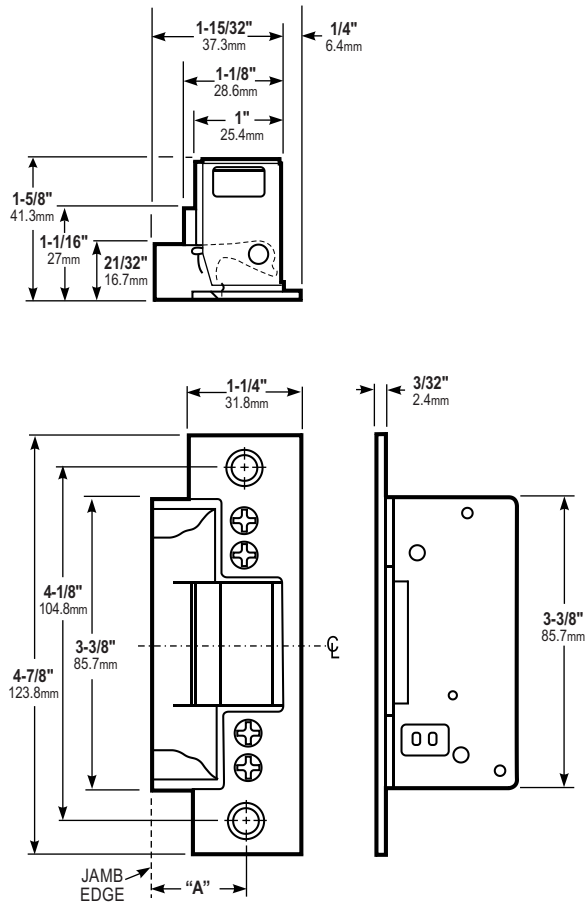
- Individually boxed with mounting screws. Includes mounting clips and adhesive shims for use where welded tabs are omitted.

OPTIONS

- Available with two monitoring signal switches which sense whether latchbolt is in strike and whether strike jaw is blocked. Choice of voltage in AC and DC for intermittent or continuous duty. Assembled for fail-secure (locked when unpowered) operation.

All measurements are approximate and are provided for informational purposes only. Refer to the product Installation Instructions.

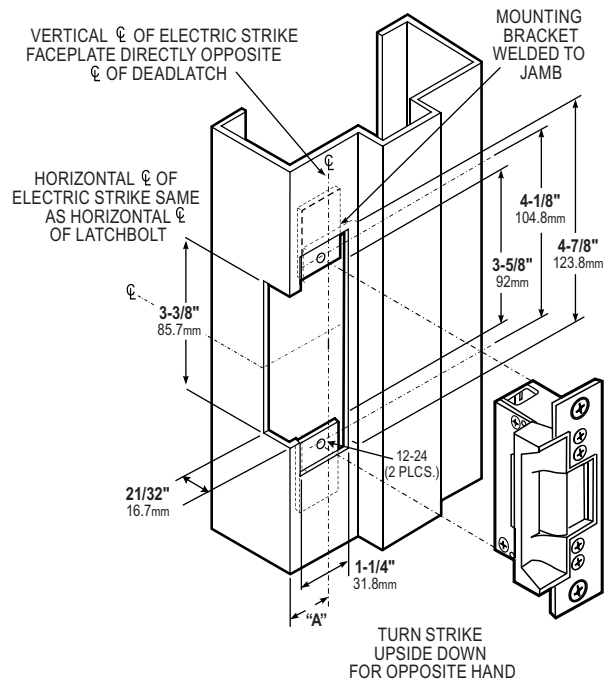
Dimensions



STANDARD UNIT FITS DIM. "A" UP TO 1-1/16"
(SEE HOW TO ORDER)

MOUNTING BRACKETS FURNISHED

Installation in Steel Jamb



HOW TO ORDER 7240 ELECTRIC STRIKE

Specify quantity and the following information. Order related products separately.

PRODUCT NO.	VOLTAGE	CURRENT AND DUTY	FEATURES	FINISH	LIP EXTENSIONS (DIM. A) Door Centerline to Jam Edge for Interior Frames
7240	-3	1	0	-630	-50
	3 12 Volt	1 DC Continuous or Intermittent	0 Fail-Secure*	630 Satin Stainless	00 1-1/16" or less
	5 24 Volt	4 AC Intermittent	9 Monitor/Fail-Secure		50 1-3/8"

*Not available Fail-Safe

RELATED PRODUCTS When purchasing this product, please consider the following related products, available separately:

Power

4603 Rectifier, 4605/4606 Transformer, Piezo Horn audible indicator, PS-1.

7270 Fire-Rated Electric Strikes



HOLLOW
METAL



UL 1034
BURGLARY
LISTED



ELECTRIFIED
PRODUCT



FIRE RATED
3 HOUR

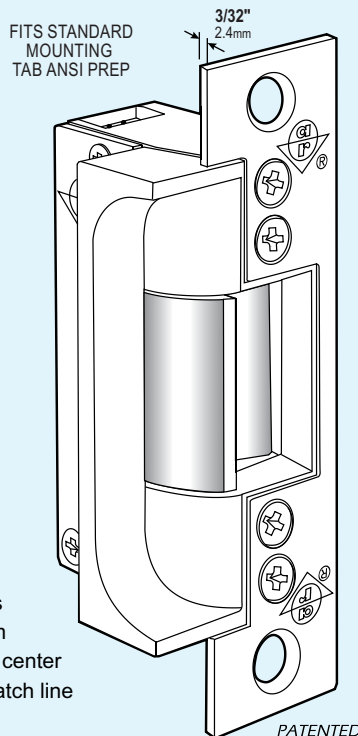


GRADE 1
E09321

7270 Fire-Rated Electric Strikes with 4-7/8" faceplates are designed for mortise or cylindrical locksets with up to 3/4" latchbolt projection without a deadbolt. For use in hollow metal door jambs.

Function

Remote electrical control of any door equipped with a mortise or cylindrical type lockset with up to 3/4" latchbolt projection, without a deadbolt. Electrical actuation unlocks strike jaw, releasing latchbolt so door can be opened without operating latch itself. Extremely compact mechanism fits into jamb sections as shallow as 1-7/8". Fire-rated in fail-secure mode.



All 3/4" throw latches require 1/8" minimum door gap. Horizontal center line of strike must match line of mortise latchbolt.

Specifications

UL10C, CAN/ULC-S104, FIRE RATED 3 HR.

CASE

- Approximately 1" x 3-3/8" x 1-7/8" deep.

STRIKE LIP

- Basic 7270 strike has lip of proper length for 1-3/4" thick door that closes flush with jamb edge.

STRIKE OPENING

- 3/4" x 1-7/16" x 5/8" deep. Bolt retainer jaw and strike lip are stainless steel. Strike accepts bolt from a variety of latchsets or mortise panic exit devices when it is centered on strike.

FACEPLATE

- Measures 1-1/4" x 4-7/8". Faceplate is flat, with square corners.

VOLTAGE

- Available in 12 or 24 volt AC and DC. DC continuous units are silent, AC intermittent units "buzz" on operation.

CURRENT DRAW/AMPS

VOLTS	AC INTERMITTENT	DC CONTINUOUS
12	1.42	0.33
24	0.74	0.17

STANDARD PACKAGE

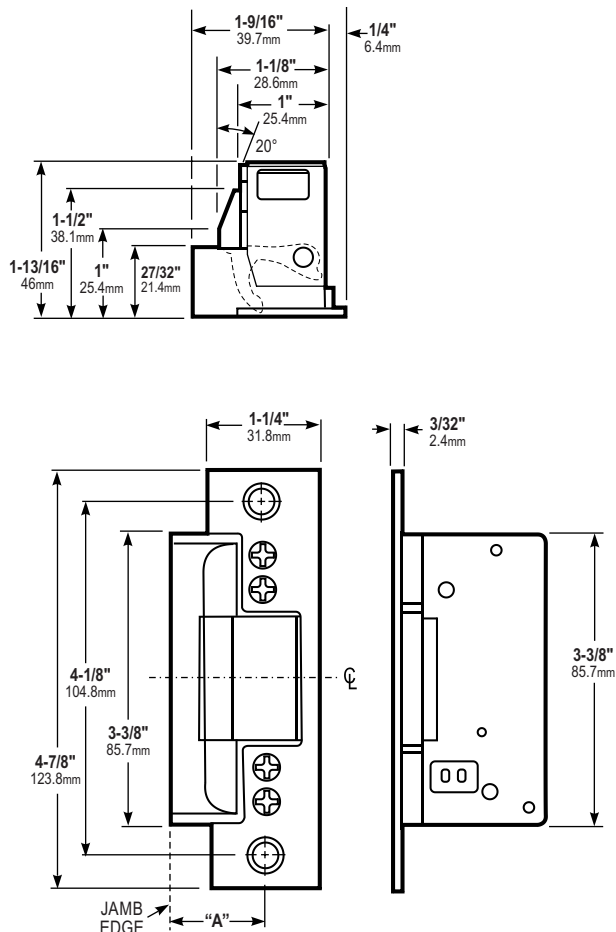
- Individually boxed with mounting screws. Includes mounting clips and adhesive shims for use where welded tabs are omitted.

OPTIONS

- Available with two monitoring signal switches which sense whether latchbolt is in strike and whether strike jaw is blocked. Choice of voltage in AC and DC for intermittent or continuous duty. Assembled for fail-secure (locked when unpowered) operation.

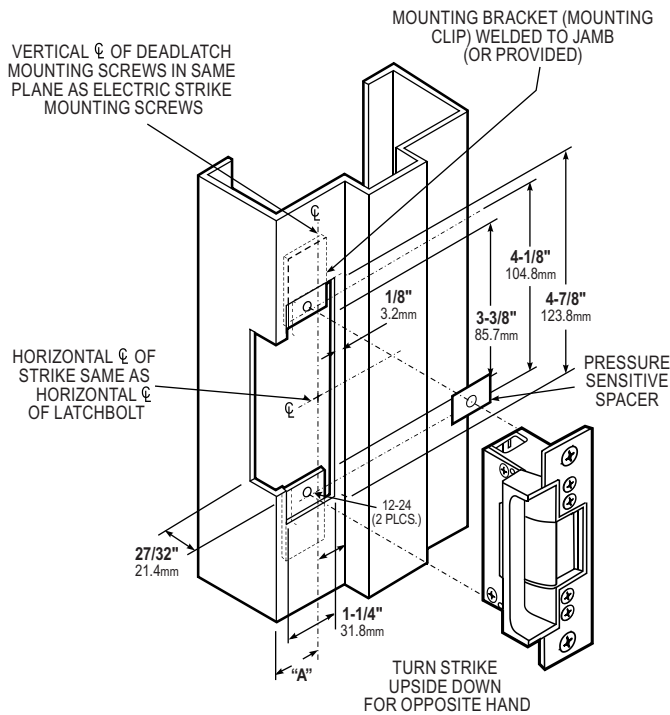
All measurements are approximate and are provided for informational purposes only. Refer to the product Installation Instructions.

Dimensions



STANDARD UNIT FITS DIM. "A" UP TO 1-1/16"
(SEE HOW TO ORDER)
MOUNTING BRACKETS FURNISHED

Installation in Steel Jamb



HOW TO ORDER 7270 ELECTRIC STRIKE

Specify quantity and the following information. Order related products separately.

PRODUCT NO.	VOLTAGE	CURRENT AND DUTY	FEATURES	FINISH	LIP EXTENSIONS (DIM. A) Door Centerline to Jam Edge for Interior Frames
7270	-3	1	0	-630	-50
	3 12 Volt	1 DC Continuous or Intermittent	0 Fail-Secure*	630 Satin Stainless	00 1-1/16" or less
	5 24 Volt	4 AC Intermittent	9 Monitor/Fail-Secure		50 1-3/8"

*Not available Fail-Safe

RELATED PRODUCTS

When purchasing this product, please consider the following related products, available separately:

Power

4603 Rectifier, 4605/4606 Transformer, Piezo Horn audible indicator, PS-1.

Ultraline 7400, 7401 Electric Strikes



ALUMINUM

UL 1034
BURGLARY
LISTEDELECTRIFIED
PRODUCTGRADE 1
E09321

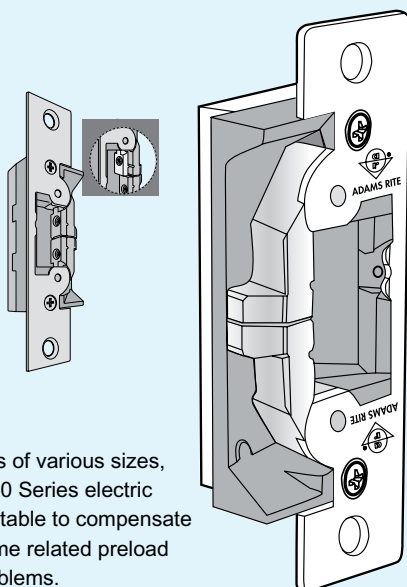
Intertek

7400, 7401 Electric Strikes with 4-7/8" faceplates are designed for Adams Rite deadlatches or cylindrical locksets with 1/2" to 5/8" latchbolt projection. For use in aluminum jambs and stiles. Opens electrically under 35 lbs. of preload.

Function

Remote electrical control of any door equipped with an Adams Rite 4500, 4700, or 4900 Series (or similar) Deadlatch or cylindrical (key-in-knob/lever) type lockset with 1/2" to 5/8" latchbolt projection. Electrical actuation unlocks strike jaw, releasing latchbolt so door can be opened without operating latch itself. Extremely compact mechanism fits into aluminum jamb (or opposing door) sections as shallow as 1-1/16". Direct upgrade for Adams Rite 7100 Electric Strikes.

This non-handed strike features an ultra-compact design and an adjustable stainless steel split-jaw with 1500 lbs. of holding force in fail-secure mode. The strike releases electrically with up to 35 lbs. of door "preload" (pressure exerted on doors by air conditioning systems, warping or misaligned hardware which can disable common electric strikes). Single solenoid operates on 12, 16, or 24 volt AC/DC power. Strikes are equipped with a quick connect plug-in type connector.



Using jaw inserts of various sizes, the Ultraline 7400 Series electric strikes are adjustable to compensate for door and frame related preload and security problems.

Specifications

FAIL-SAFE/FAIL-SECURE

- Field selectable at time of installation.

CASE

- Approximately 1" x 3-3/8" x 1-1/16" deep.

STRIKE LIP

- Basic 7400 electric strike has lip of proper length for 1-3/4" thick door that closes flush with jamb edge. Where door thickness or jamb shape differs from this configuration, lip extension kits are available. Not available on 7401.

STRIKE OPENING

- 5/8" adjustable x 1-7/16" x 1/2" deep. Bolt retainer jaw is stainless steel. Strike accepts bolt of Adams Rite 4500, 4700 (discontinued), or 4900 Deadlatch or cylindrical latches.

FACEPLATE

- Measures 1-1/4" x 4-7/8". 7400 has flat faceplate; 7401 is radiused to match nose on inactive leaf in a pair of aluminum stile glass doors. Available in a wide range of architectural finishes.

VOLTAGE

- Field selectable to match power source of 12, 16, or 24 VAC/VDC.

CURRENT DRAW/AMPS

VOLTS	AC INTERMITTENT	DC CONTINUOUS
12	0.163	0.440
16	0.228	0.458*
24	0.084	0.230

*Requires 16 DC adapter (P/N VA 7400-16VDC)

STANDARD PACKAGE

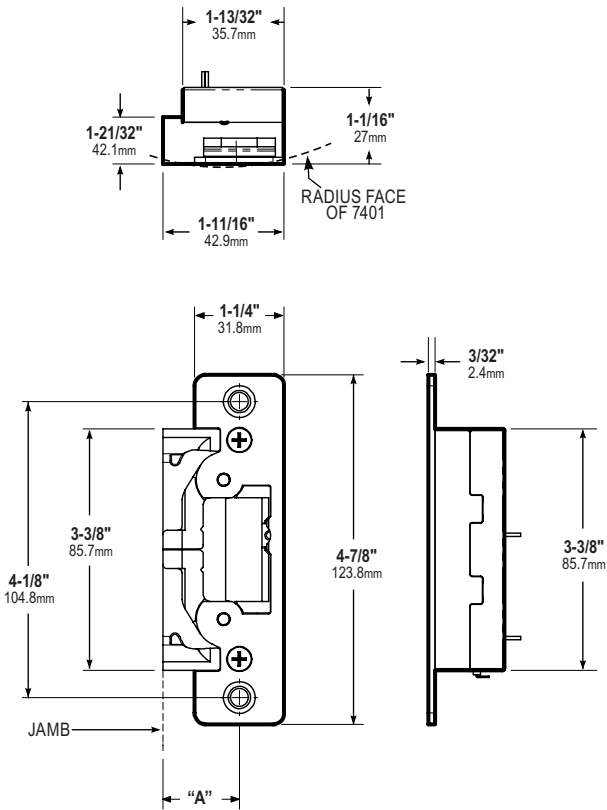
- Individually boxed with mounting screws, mounting tabs, adhesive shims to accommodate jamb or stile extrusion thickness greater or less than nominal 1/8", an adjustable jaw shim pack and two plug-in voltage adapters for 12/16/24 VAC and 12/24 VDC.

OPTIONS

- Monitoring – Two internally mounted switches (Form "C") to indicate when the latchbolt is engaged in the strike jaws and a locked/unlocked solenoid status.
- Lip Extension Kits – For various dimensions of door centerline to jamb edge.
- Modular Packaging – Consult factory or sales representative for details.
- ELX-ElectroLynx™ Adapter – Connects Adams Rite electrified products to ElectroLynx system.
- 16 VDC Adapter – VA7400-16VDC required when using 16 VDC power.

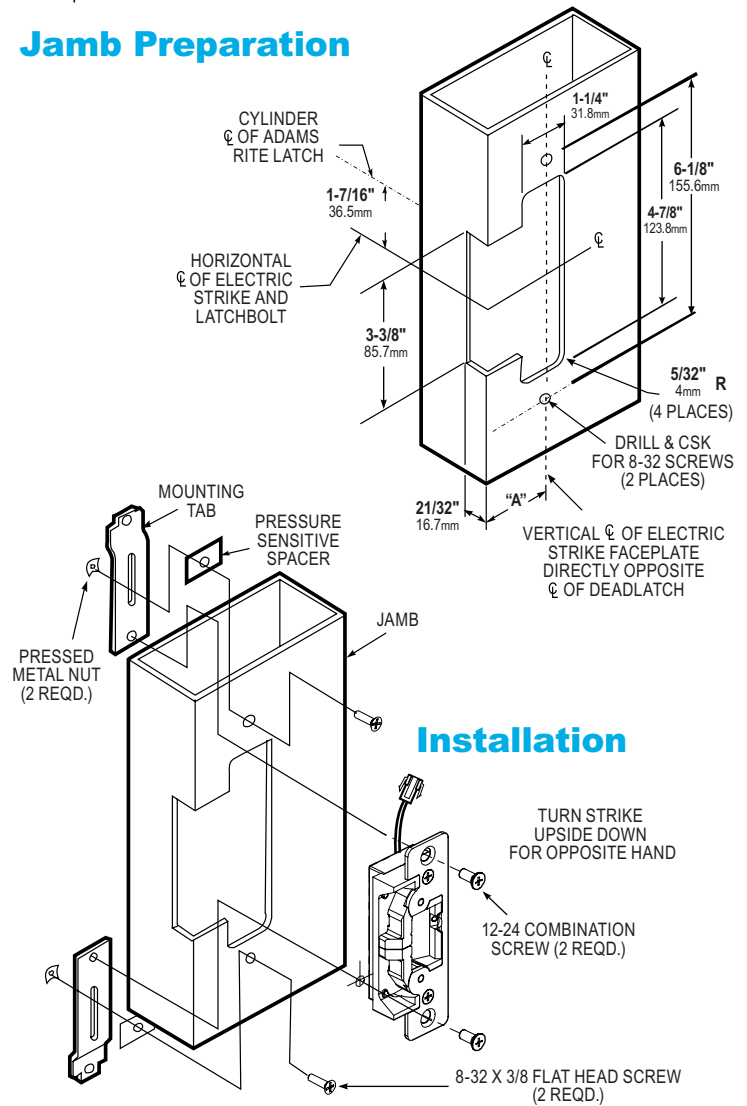
All measurements are approximate and are provided for informational purposes only. Refer to the product Installation Instructions.

Dimensions



STANDARD UNIT FITS DIM. "A" UP TO 1-1/16"
MOUNTING BRACKETS FURNISHED

Jamb Preparation



Installation

HOW TO ORDER 7400, 7401 ELECTRIC STRIKE Specify quantity and the following information. Order related products separately.

PRODUCT NO.	FACEPLATE SHAPE	FEATURES	FINISH	
740	0	M	628	
	0 Flat	- None	STANDARD FINISHES	629 Bright Stainless
	1 Radius	M Monitored	313 Dark Bronze Anodized	630 Satin Stainless
		A Modular Pack - Body Kit*	335 Black Anodized	RITECOAT FINISH (7401 ONLY)
			605 Bright Brass	119 To match 335 Black Anodized
			606 Satin Brass	121 To match 313 Dark Bronze Anodized
			612 Satin Bronze	130 To match 628 Clear Anodized
			628 Clear Anodized	

Fail-secure can be field converted to fail-safe or vice-versa

*Modular Packing Program - match body kit with faceplate kit to complete. Use 7400A for standard jambs and 7401A for radius stile mounting. No finish designation required.

RELATED PRODUCTS When purchasing this product, please consider the following related products, available separately:

Options

Lip extensions.
ELX-ElectroLynx™ Adapter.
VA7400-16VDC Adapter.

Power

4603 Rectifier, 4605/4606 Transformer,
Piezo Horn audible indicator, PS-1.

Deadlatches

4500 and 4900 Series Deadlatches. Note that 4700 Deadlatch is discontinued and replaced by 4900 Deadlatch.

Ultraline 7410, 7411 Electric Strikes



ALUMINUM

HOLLOW
METAL

WOOD

UL 1034
BURGLARY
LISTEDELECTRIFIED
PRODUCTGRADE 1
E09321

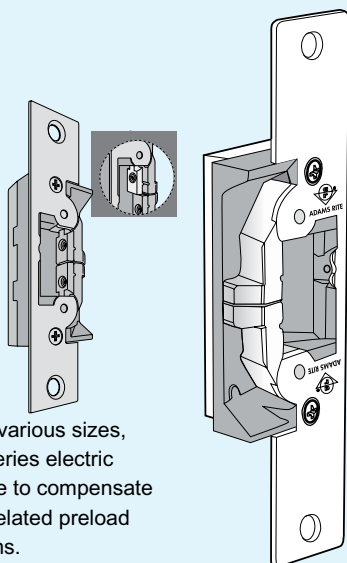
Intertek

7410 Electric Strike with 7-15/16" faceplate and 7411 Electric Strike with 10-1/4" faceplate are designed for Adams Rite deadlatches or cylindrical locksets with 1/2" to 5/8" latchbolt projection. For use in hollow metal, wood and aluminum door jambs. Opens electrically under 35 lbs. of preload.

Function

Replaces earlier 7510, 7810 electric strikes in either metal or wood jambs for remote electrical control of any door equipped with an Adams Rite 4500, 4700, or 4900 Series (or similar) Deadlatch or cylindrical (key-in-knob/lever) type lockset with 1/2" to 5/8" latchbolt projection. Electrical actuation unlocks strike jaw, releasing latchbolt so door can be opened without operating latch itself. Extremely compact mechanism fits into jamb sections as shallow as 1-1/16". Direct upgrade for Adams Rite 7110 Electric Strikes.

This non-handed strike features an ultra-compact design and an adjustable stainless steel split-jaw with over 1500 lbs. of holding force in fail-secure mode. The strike releases electrically with up to 35 lbs. of door "preload" (pressure exerted on doors by air conditioning systems, warping or misaligned hardware which can disable common electric strikes). Single solenoid operates on 12, 16, or 24 volt AC/DC power. Strikes are equipped with a quick connect plug-in type connector.



Using jaw inserts of various sizes, the Ultraline 7400 Series electric strikes are adjustable to compensate for door and frame related preload and security problems.

Specifications

FAIL-SAFE/FAIL-SECURE

- Field selectable at time of installation.

CASE

- Approximately 1" x 3-3/8" x 1-1/16" deep.

STRIKE LIP

- Basic 7400 electric strike has lip of proper length for 1-3/4" thick door that closes flush with jamb edge. Where door thickness or jamb shape differs from this standard relationship, lip extension kits are available.

STRIKE OPENING

- 5/8" adjustable x 1-7/16" x 1/2" deep. Bolt retainer jaw is stainless steel. Strike accepts bolt of Adams Rite 4500, 4700 (discontinued), or 4900 Series Deadlatch or cylindrical latches.

FACEPLATE

- 7410 faceplate measures 1-7/16" x 7-15/16". 7411 faceplate measures 10-1/4". Available in a wide range of architectural finishes.

VOLTAGE

- Field selectable to match power source of 12, 16, or 24 VAC/VDC.

CURRENT DRAW/AMPS

VOLTS	AC INTERMITTENT	DC CONTINUOUS
12	0.163	0.440
16	0.228	0.458*
24	0.084	0.230

*Requires 16 DC adapter (P/N VA 7400-16VDC)

STANDARD PACKAGE

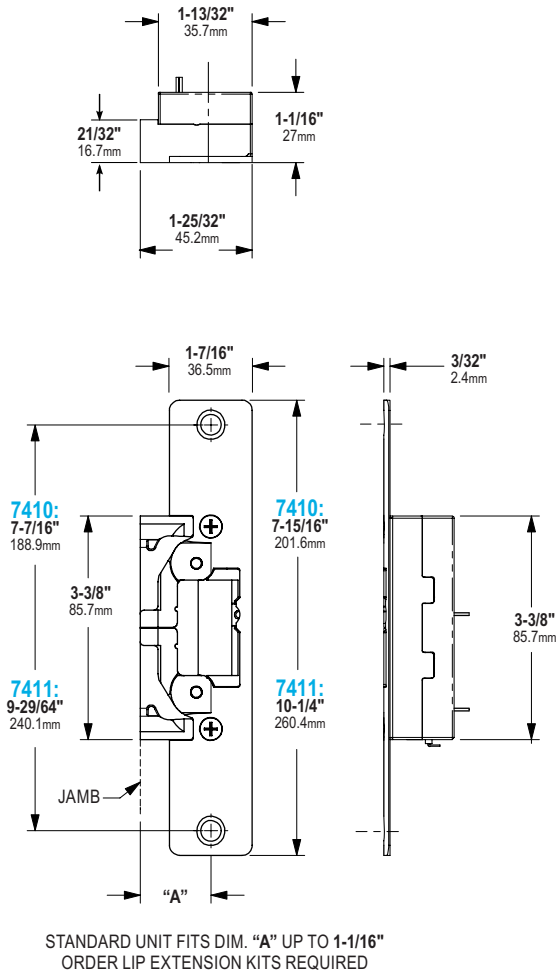
- Individually boxed with mounting screws, mounting tabs, adhesive shims to accommodate jamb or stile extrusion thickness greater or less than nominal 1/8", and adjustable jaw shim pack and two plug-in voltage adapters for 12/16/24 VAC and 12/24 VDC.

OPTIONS

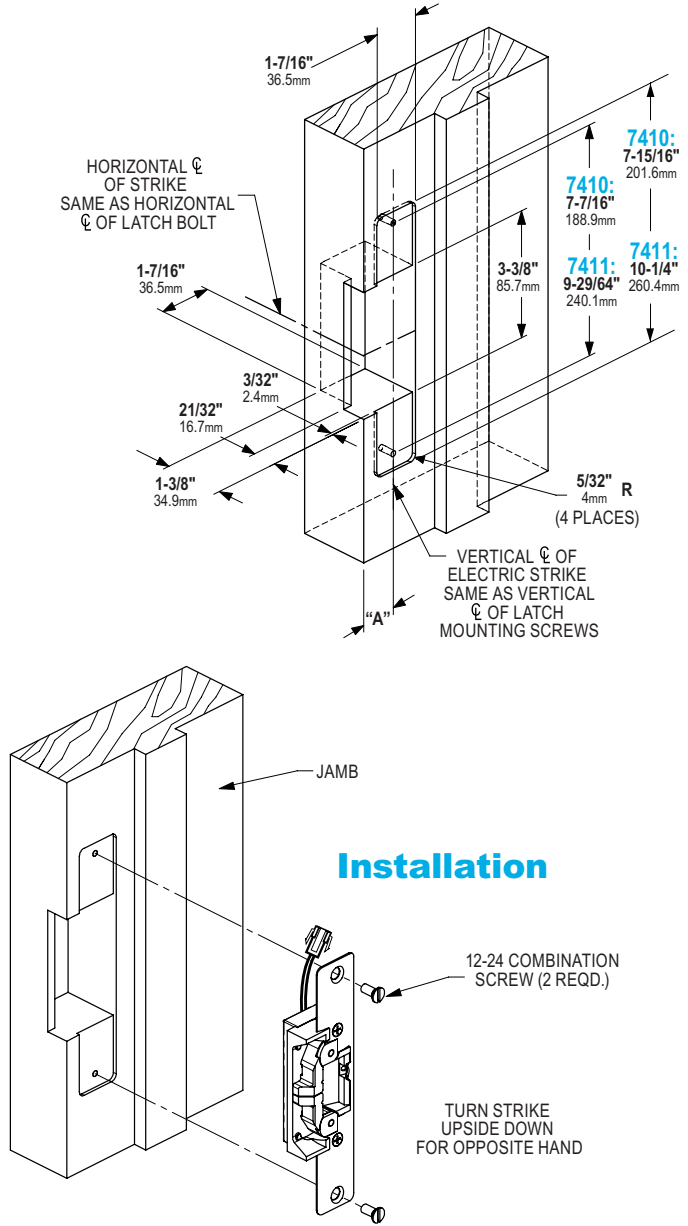
- Monitoring – Two internally mounted switches (Form "C") to indicate when the latchbolt is engaged in the strike jaws and a locked/unlocked solenoid status.
- Lip Extension Kits – For various dimensions of door centerline to jamb edge.
- Modular Packaging – Consult factory or sales representative for details.
- ELX-ElectroLynx™ Adapter – Connects Adams Rite electrified products to ElectroLynx system.
- 16 VDC Adapter – VA7400-16VDC required when using 16 VDC power.

All measurements are approximate and are provided for informational purposes only. Refer to the product Installation Instructions.

Dimensions



Jamb Preparation



HOW TO ORDER 7410, 7411 ELECTRIC STRIKE

Specify quantity and the following information. Order related products separately.

PRODUCT NO.	FACEPLATE LENGTH	FEATURES	FINISH	
741	0	-	628	
	0 7-7/16"	- None	STANDARD FINISHES	
	1 10-1/4"	M Monitored	313 Dark Bronze Anodized	628 Clear Anodized
			335 Black Anodized	630 Satin Stainless

Fail-secure can be field converted to fail-safe or vice-versa

RELATED PRODUCTS

When purchasing this product, please consider the following related products, available separately:

Options

Lip extensions.
ELX-ElectroLynx™ Adapter.
VA7400-16VDC Adapter.

Power

4603 Rectifier, 4605/4606 Transformer, Piezo Horn audible indicator, PS-1.

Deadlatches

4500 and 4900 Series Deadlatches. Note that 4700 Deadlatch is discontinued and replaced by 4900 Deadlatch.

Ultraline 7430, 7431 Electric Strikes



ALUMINUM

HOLLOW
METALUL 1034
BURGLARY
LISTEDELECTRIFIED
PRODUCTGRADE 1
E09321

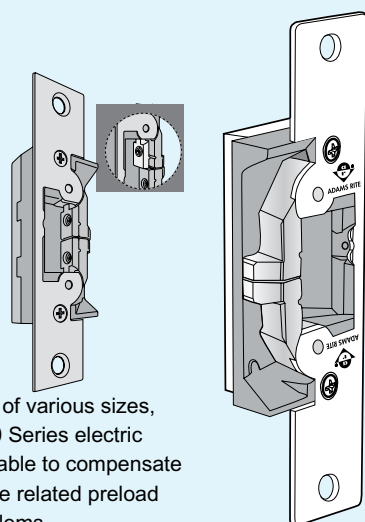
Intertek

7430, 7431 Electric Strikes with 6-7/8" faceplates are designed for Adams Rite deadlatches or cylindrical locksets with 1/2" to 5/8" latchbolt projection. For use in aluminum jambs and stiles. Opens electrically under 35lbs. of preload.

Function

Remote electrical control of any narrow stile or hollow metal door equipped with an Adams Rite 4500, 4700, or 4900 Series (or similar) Deadlatch or cylindrical (key-in-knob/lever) type lockset with 1/2" to 5/8" latchbolt projection. Large faceplate is designed to cover strike opening when converting from an MS® pivoted-bolt deadlock to a deadlatch. Electrical actuation unlocks strike jaw, releasing latchbolt so door can be opened without operating latch itself. Extremely compact mechanism fits into jamb sections as shallow as 1-1/16". Direct upgrade for Adams Rite 7130 Electric Strikes.

This non-handed strike features an ultra-compact design and an adjustable stainless steel split-jaw with over 1500 lbs. of holding force in fail-secure mode. The strike releases electrically with up to 35 lbs. of door "preload" (pressure exerted on doors by air conditioning systems, warping or misaligned hardware which can disable common electric strikes). Single solenoid operates on 12, 16, or 24 volt AC/DC power. Strikes are equipped with a quick connect plug-in type connector.



Using jaw inserts of various sizes, the Ultraline 7400 Series electric strikes are adjustable to compensate for door and frame related preload and security problems.

Specifications

FAIL-SAFE/FAIL-SECURE

- Field selectable at time of installation.

CASE

- Approximately 1" x 3-3/8" x 1-1/16" deep.

STRIKE LIP

- Basic 7400 electric strike has lip of proper length for 1-3/4" thick door that closes flush with jamb edge. Where door thickness or jamb shape differs from this standard relationship, lip extension kits are available. Not available on 7431.

STRIKE OPENING

- 5/8" adjustable x 1-7/16" x 1/2" deep. Bolt retainer jaw is stainless steel. Strike accepts bolt of Adams Rite 4500, 4700 (discontinued), or 4900 Series Deadlatch or cylindrical latches.

FACEPLATE

- Measures 1-1/4" x 6-7/8". 7430 has flat faceplate; 7431 is radiused to match nose on inactive leaf in a pair of aluminum stile glass doors. Available in a wide range of architectural finishes.

VOLTAGE

- Field selectable to match power source of 12, 16, or 24 VAC/VDC.

CURRENT DRAW/AMPS

VOLTS	AC INTERMITTENT	DC CONTINUOUS
12	0.163	0.440
16	0.228	0.458*
24	0.084	0.230

*Requires 16 DC adapter (P/N VA 7400-16VDC)

STANDARD PACKAGE

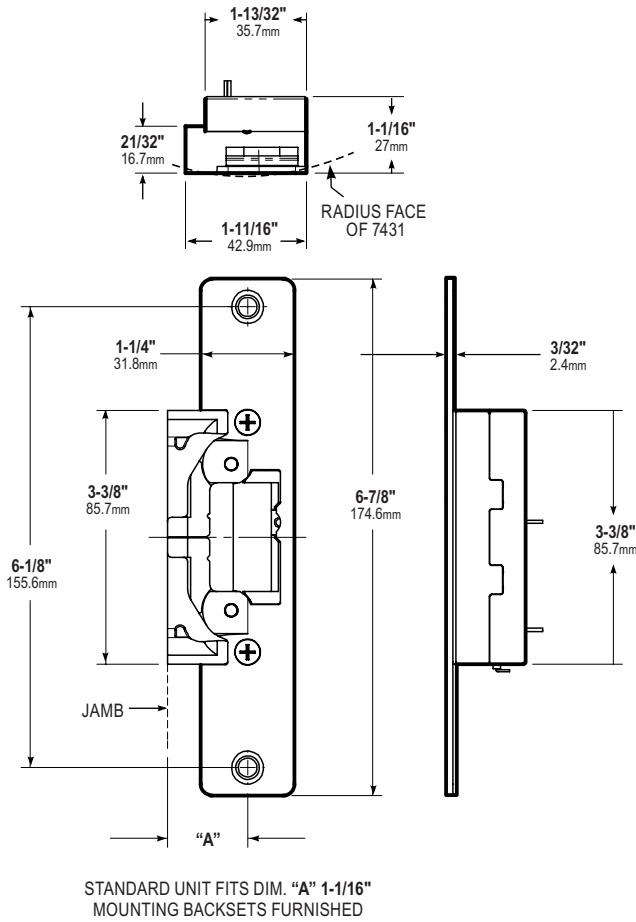
- Individually boxed with mounting screws, mounting tabs, adhesive shims to accommodate jamb or stile extrusion thickness greater or less than nominal 1/8", an adjustable jaw shim pack and two plug-in voltage adapters for 12/16/24 VAC and 12/24 VDC.

OPTIONS

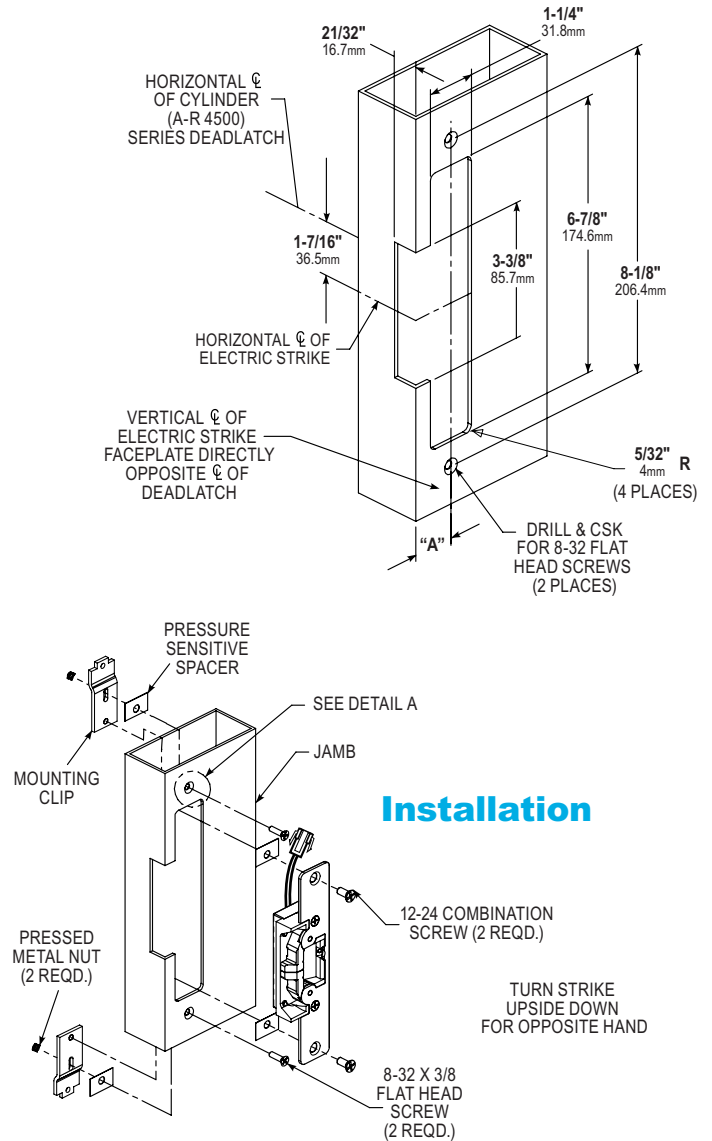
- Monitoring – Two internally mounted switches (Form "C") to indicate when the latchbolt is engaged in the strike jaws and a locked/unlocked solenoid status.
- Lip Extension Kits – For various dimensions of door centerline to jamb edge.
- Modular Packaging – Consult factory or sales representative for details.
- ELX-ElectroLynx™ Adapter – Connects Adams Rite electrified products to ElectroLynx system.
- 16 VDC Adapter – VA7400-16VDC required when using 16 VDC power.

All measurements are approximate and are provided for informational purposes only. Refer to the product Installation Instructions.

Dimensions



Jamb Preparation



HOW TO ORDER 7430, 7431 ELECTRIC STRIKE Specify quantity and the following information. Order related products separately.

PRODUCT NO.	FACEPLATE SHAPE	FEATURES	FINISH	
743	0	M	628	
	0 Flat	- None	STANDARD FINISHES	RITECOAT FINISH (7431 ONLY)
	1 Radius	M Monitored	313 Dark Bronze Anodized	119 To match 335 Black Anodized
			335 Black Anodized	121 To match 313 Dark Bronze Anodized
			628 Clear Anodized	130 To match 628 Clear Anodized

Fail-secure can be field converted to fail-safe or vice-versa

RELATED PRODUCTS When purchasing this product, please consider the following related products, available separately:

Options

Lip extensions.
ELX-ElectroLynx™ Adapter.
VA7400-16VDC Adapter.

Power

4603 Rectifier, 4605/4606 Transformer, Piezo
Horn audible indicator, PS-1.

Deadlatches

4500 and 4900 Series Deadlatches. Note that 4700 Deadlatch
is discontinued and replaced by 4900 Deadlatch.

Ultraline 7440 Electric Strikes



WOOD

HOLLOW
METALUL 1034
BURGLARY
LISTEDELECTRIFIED
PRODUCTGRADE 1
E09321

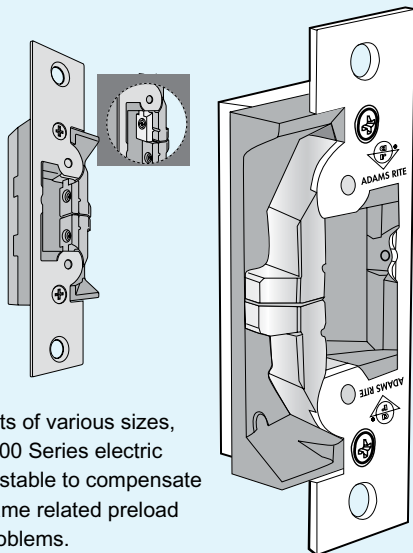
Intertek

7440 Electric Strikes with 4-7/8" faceplate are designed for Adams Rite deadlatches or cylindrical locksets with 1/2" to 5/8" latchbolt projection. For use in hollow metal or wood door jambs and steel or wood doors. Opens electrically under 35lbs. of preload.

Function

Remote electrical control of any door equipped with an Adams Rite 4500, 4700, or 4900 Series (or similar) Deadlatch or cylindrical (key-in-knob/lever) type lockset with 1/2" to 5/8" latchbolt projection. Electrical actuation unlocks strike jaw, releasing latchbolt so door can be opened without operating latch itself. Extremely compact mechanism fits into jamb sections as shallow as 1-1/16". Direct upgrade for Adams Rite 7140 Electric Strikes.

This non-handed strike features an ultra-compact design and an adjustable stainless steel split-jaw with over 1500 lbs. of holding force in fail-secure mode. The strike releases electrically with up to 35 lbs. of door "preload" (pressure exerted on doors by air conditioning systems, warping or misaligned hardware which can disable common electric strikes). Single solenoid operates on 12, 16, or 24 volt AC/DC power. Strikes are equipped with a quick connect plug-in type connector.



Using jaw inserts of various sizes, the Ultraline 7440 Series electric strikes are adjustable to compensate for door and frame related preload and security problems.

Specifications

FAIL-SAFE/FAIL-SECURE

- Field selectable at time of installation.

CASE

- Approximately 1" x 3-3/8" x 1-1/16" deep.

STRIKE LIP

- Basic 7400 electric strike has lip of proper length for 1-3/4" thick door that closes flush with jamb edge. Where door thickness or jamb shape differs from this standard relationship, lip extension kits are available.

STRIKE OPENING

- 5/8" adjustable x 1-7/16" x 1/2" deep. Bolt retainer jaw is stainless steel. Strike accepts bolt of Adams Rite 4500, 4700 (discontinued), or 4900 Series Deadlatch or cylindrical latches.

FACEPLATE

- Measures 1-1/4" x 4-7/8". Faceplate is flat, with square corners. Available in a wide range of architectural finishes.

VOLTAGE

- Field selectable to match power source of 12, 16, or 24 VAC/VDC.

CURRENT DRAW/AMPS

VOLTS	AC INTERMITTENT	DC CONTINUOUS
12	0.163	0.440
16	0.228	0.458*
24	0.084	0.230

*Requires 16 DC adapter (P/N VA 7400-16VDC)

STANDARD PACKAGE

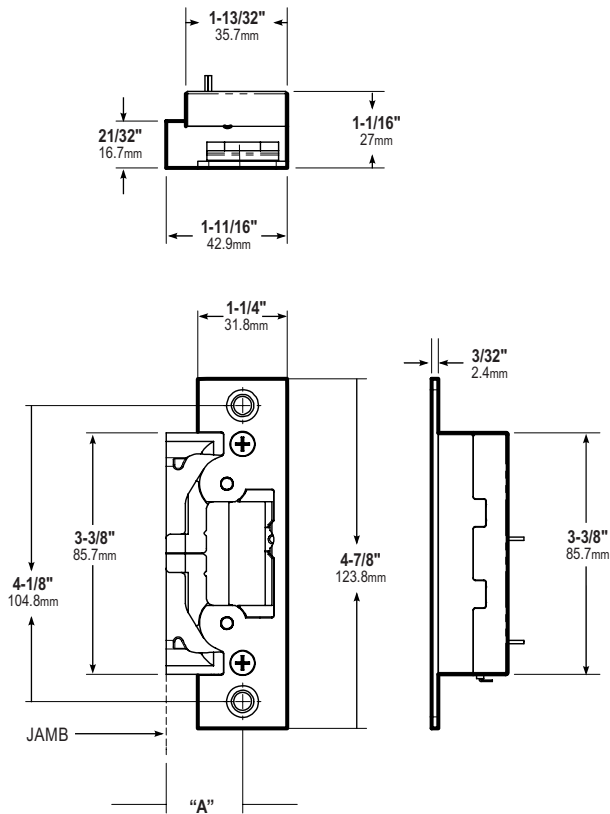
- Individually boxed with mounting screws, mounting tabs, adhesive shims to accommodate jamb or stile extrusion thickness greater or less than nominal 1/8", and adjustable jaw shim pack and two plug-in voltage adapters for 12/16/24 VAC and 12/24 VDC.

OPTIONS

- Monitoring – Two internally mounted switches (Form "C") to indicate when the latchbolt is engaged in the strike jaws and a locked/unlocked solenoid status.
- Lip Extension Kits – For various dimensions of door centerline to jamb edge.
- Modular Packaging – Consult factory or sales representative for details.
- Wood Door Cover – WDC7400 for use when mounting the 7400 Series Electric Strike on the inactive leaf of a pair of door. The cover simplifies the mortise prep.
- ELX-ElectroLynx™ Adapter – Connects Adams Rite electrified products to ElectroLynx system.
- 16 VDC Adapter – VA7400-16VDC required when using 16 VDC power.

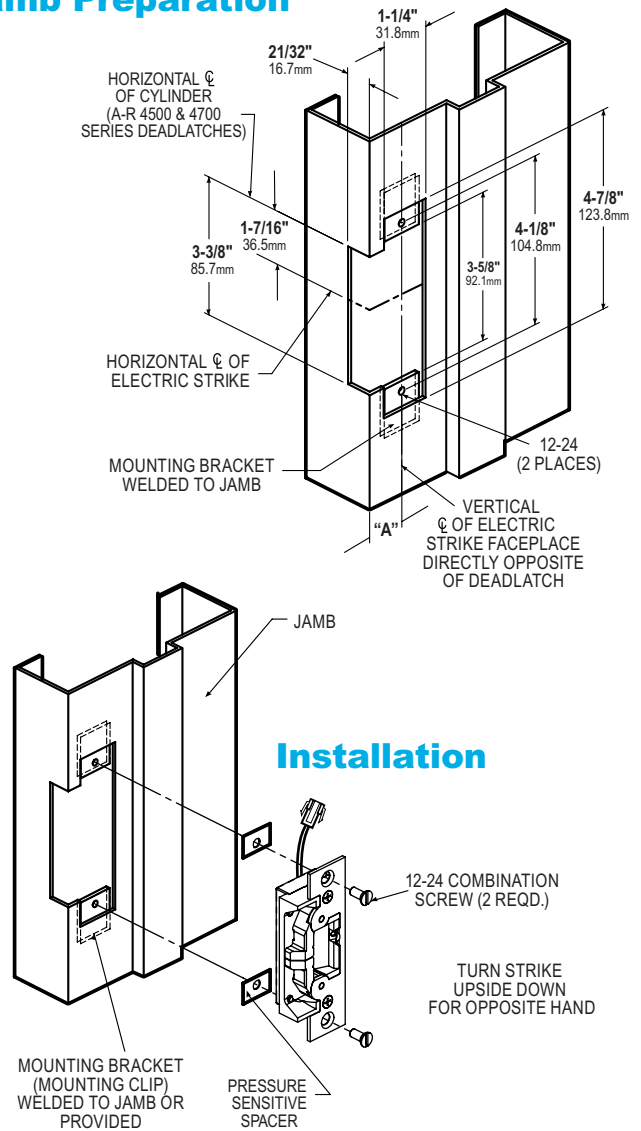
All measurements are approximate and are provided for informational purposes only. Refer to the product Installation Instructions.

Dimensions



STANDARD UNIT FITS DIM. "A" UP TO 1-1/16" MOUNTING BRACKETS FURNISHED

Jamb Preparation



Installation

HOW TO ORDER 7440 ELECTRIC STRIKE

Specify quantity and the following information. Order related products separately.

PRODUCT NO.	FEATURES	FINISH	
7440	M	628	
	- None	STANDARD FINISHES	
	M Monitored	313 Dark Bronze Anodized	612 Satin Bronze
		335 Black Anodized	628 Clear Anodized
		605 Bright Brass	629 Bright Stainless
		606 Satin Brass	630 Satin Stainless

Fail-secure can be field converted to fail-safe or vice-versa.

RELATED PRODUCTS

When purchasing this product, please consider the following related products, available separately:

Options

Lip extensions.
WDC7400-Wood Door Cover.
ELX-ElectroLynx™ Adapter.
VA7400-16VDC Adapter.

Power

4603 Rectifier, 4605/4606 Transformer, Piezo Horn audible indicator, PS-1.

Deadlatches

4500 and 4900 Series Deadlatches. Note that 4700 Deadlatch is discontinued and replaced by 4900 Deadlatch.

Ultraline 74R1 Electric Strike



ALUMINUM

HOLLOW
METAL

WOOD

UL 1034
BURGLARY
LISTEDELECTRIFIED
PRODUCTGRADE 1
E09321

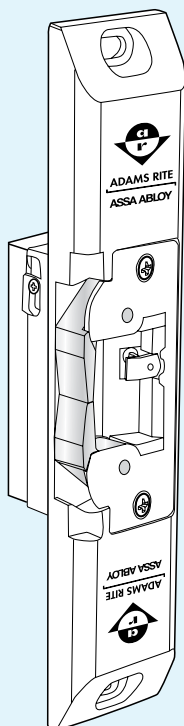
Intertek

74R1 Electric Strike is designed for rim exit devices with 3/4" Pullman type latchbolt. For use in hollow metal, wood and aluminum door jambs. Opens electrically under 35lbs. of preload.

Function

A semi-mortised strike for rim exit devices having 3/4" Pullman type bolts without auxiliary bolts. Provides electrical remote control, allowing door to open without actuation of the exit device.

This non-handed strike features an ultra-compact design and a stainless steel split-jaw with over 1500 lbs. of holding force in fail-secure mode. The strike releases electrically with up to 35 lbs. of door "preload" (pressure exerted on doors by air conditioning systems, warping or misaligned hardware which can disable common electric strikes). Single solenoid operates on 12, 16, or 24 volt AC/DC power. Strikes are equipped with a quick connect plug-in type connector.



Specifications

FAIL-SAFE/FAIL-SECURE

- Field selectable at time of installation.

CASE

- Approximately 1" x 3-3/8" x 1-1/16" deep.

MOUNTING PLATE/HOUSING

- Made of zinc aluminum alloy and measures 1-3/4" x 9" x 11/16" deep. Standard finish in epoxy to match Clear, Dark Bronze Anodized and Black Anodized finishes.

STRIKE OPENING

- 5/8" x 1-7/16" x 9/16" deep. Bolt retainer jaw is stainless steel. Strike accepts Pullman bolt of exit devices without deadlocking bolts.

VOLTAGE

- Field selectable to match power source of 12, 16, or 24 VAC/VDC.

CURRENT DRAW/AMPS

VOLTS	AC INTERMITTENT	DC CONTINUOUS
12	0.163	0.440
16	0.228	0.458*
24	0.084	0.230

*Requires 16 DC adapter (P/N VA 7400-16VDC)

STANDARD PACKAGE

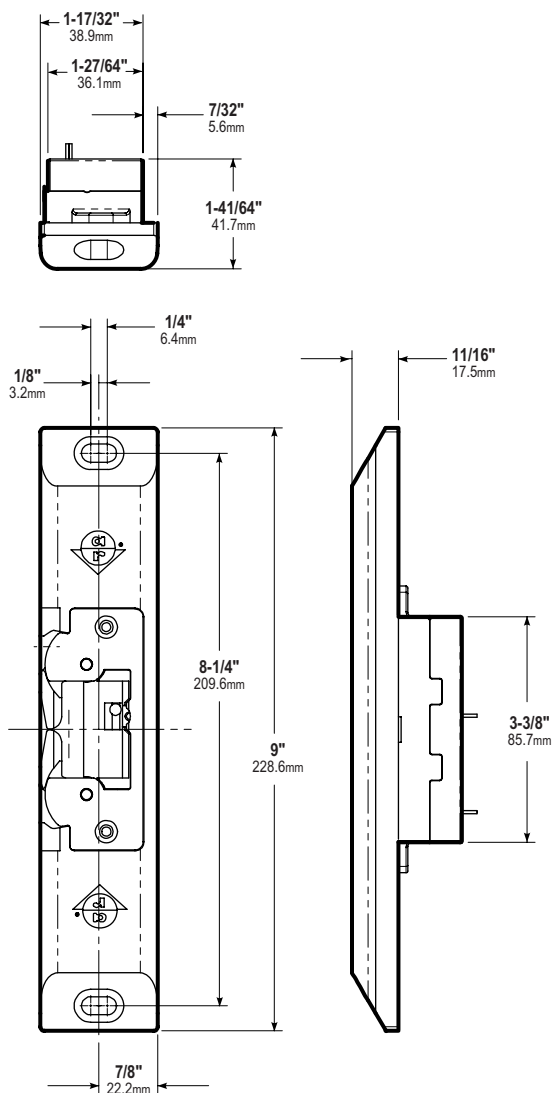
- Individually boxed with mounting plate shims, mounting screws, and installation instructions. Shipping weight approximately 2 lbs.

OPTIONS

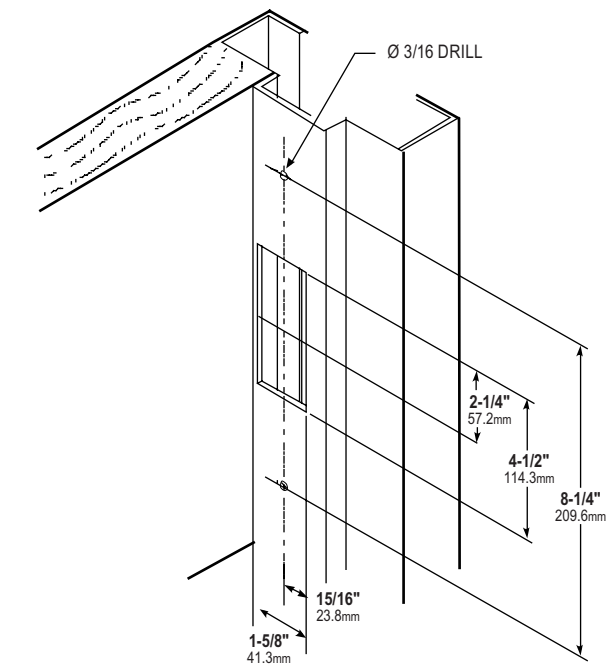
- Monitoring – Two internally mounted switches (Form "C") to indicate when the latchbolt is engaged in the strike jaws and a locked/unlocked solenoid status.
- ELX-ElectroLynx™ Adapter – Connects Adams Rite electrified products to ElectroLynx system.
- 16 VDC Adapter – VA7400-16VDC required when using 16 VDC power.

All measurements are approximate and are provided for informational purposes only. Refer to the product Installation Instructions.

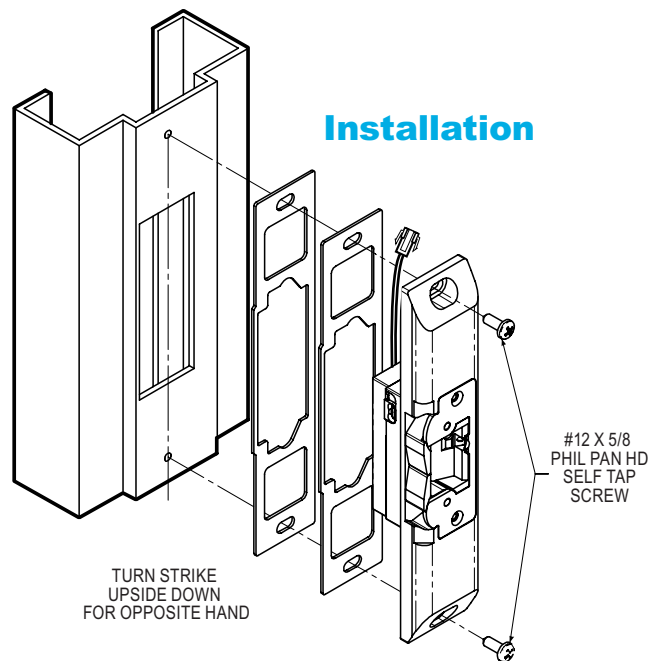
Dimensions



Jamb Preparation



Installation



HOW TO ORDER 74R1 ELECTRIC STRIKE

Specify quantity and the following information. Order related products separately.

PRODUCT NO.	FEATURES	FINISH
74R1	M	-130
	- None	119 To match 335 Black Anodized
	M Monitored	121 To match 313 Dark Bronze Anodized
		130 To match 628 Clear Anodized

Fail-secure can be field converted to fail-safe or vice-versa.

RELATED PRODUCTS

When purchasing this product, please consider the following related products, available separately:

Options

ELX-ElectroLynx™ Adapter.
VA7400-16VDC Adapter.

Power

4603 Rectifier, 4605/4606 Transformer, Piezo Horn audible indicator, PS-1.

Ultraline 74R2 Electric Strike



ALUMINUM

UL 1034
BURGLARY
LISTEDELECTRIFIED
PRODUCTGRADE 1
E09321

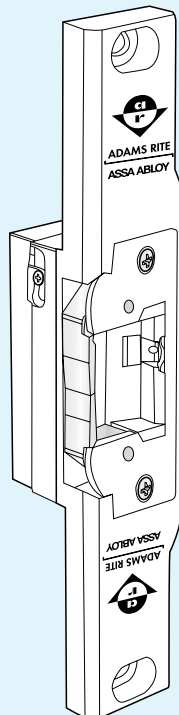
Intertek

74R2 Electric Strike is designed for narrow stile rim exit devices with 1/2" Pullman type latchbolt. For use in aluminum door jambs. Opens electrically under 35lbs. of preload.

Function

A semi-mortised strike for rim exit devices having 1/2" Pullman type bolts. Provides electrical remote control, allowing door to open without actuation of the exit device.

This non-handed strike features an ultra-compact design and a stainless steel split-jaw with over 1500 lbs. of holding force in fail-secure mode. The strike releases electrically with up to 35 lbs. of door "preload" (pressure exerted on doors by air conditioning systems, warping or misaligned hardware which can disable common electric strikes). Single solenoid operates on 12, 16, or 24 volt AC/DC power. Strikes are equipped with a quick connect plug-in type connector.



Specifications

FAIL-SAFE/FAIL-SECURE

- Field selectable at time of installation.

CASE

- Approximately 1" x 3-3/8" x 1-1/8" deep.

STRIKE OPENING

- Bolt retainer jaw is stainless steel, measures 5/8" x 1-7/16" x 1/2" deep.

MOUNTING PLATE/HOUSING

- Made of zinc aluminum alloy and measure 1-5/8" x 9" x 1/2" deep. Standard finish in epoxy to match Clear, Dark Bronze Anodized and Black Anodized finishes.

VOLTAGE

- Field selectable to match power source of 12, 16, or 24 VAC/VDC.

CURRENT DRAW/AMPS

VOLTS	AC INTERMITTENT	DC CONTINUOUS
12	0.163	0.440
16	0.228	0.458*
24	0.084	0.230

*Requires 16 DC adapter (P/N VA 7400-16VDC)

STANDARD PACKAGE

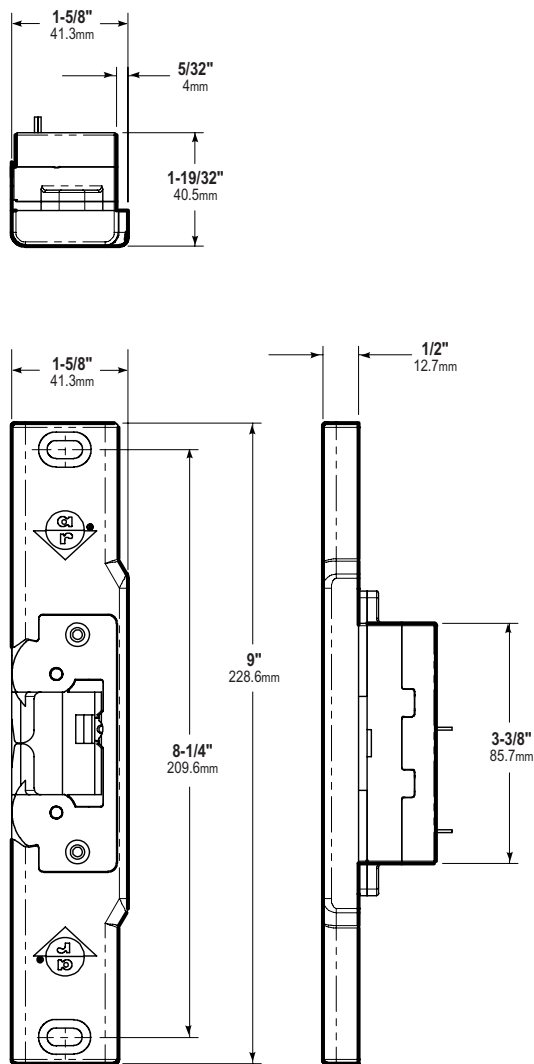
- Individually boxed with mounting plate shims, mounting screws, and installation instructions. Shipping weight approximately 2 lbs.

OPTIONS

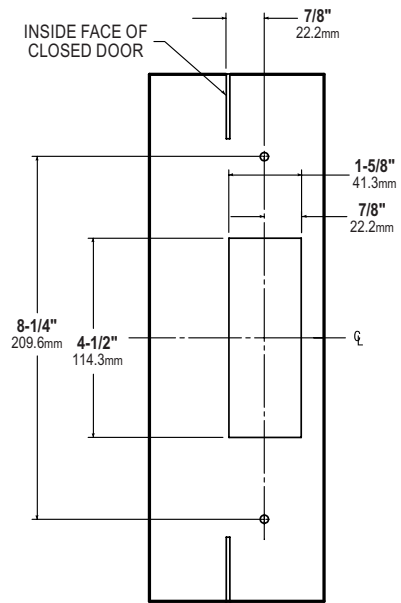
- ELX-ElectroLynx™ Adapter – Connects Adams Rite electrified products to ElectroLynx system.
- 16 VDC Adapter – VA7400-16VDC required when using 16 VDC power.

All measurements are approximate and are provided for informational purposes only. Refer to the product Installation Instructions.

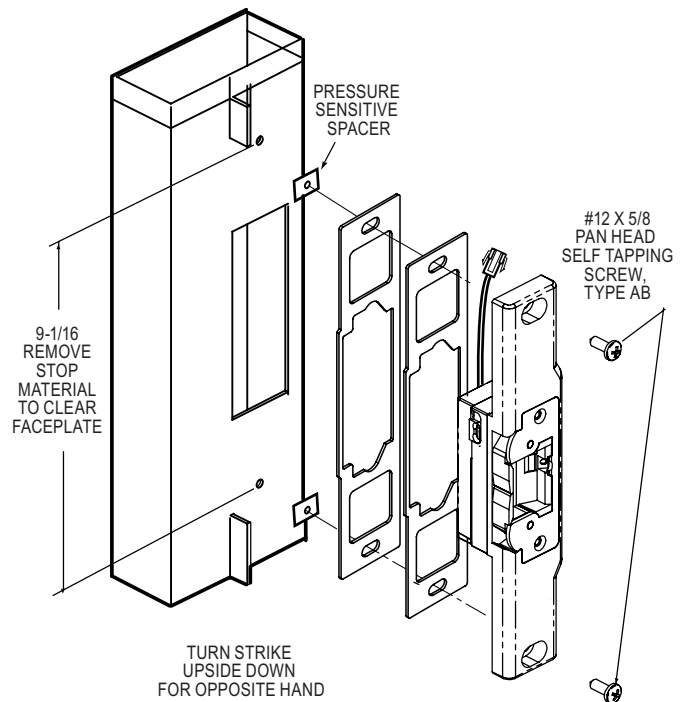
Dimensions



Jamb Preparation



Installation



HOW TO ORDER 74R2 ELECTRIC STRIKE

Specify quantity and the following information. Order related products separately.

PRODUCT NO.	FINISH
74R2	-130
	119 To match 335 Black Anodized
	121 To match 313 Dark Bronze Anodized
	130 To match 628 Clear Anodized

RELATED PRODUCTS When purchasing this product, please consider the following related products, available separately:

Options

ELX-ElectroLynx™ Adapter.
VA7400-16VDC Adapter.

Power

4603 Rectifier, 4605/4606 Transformer, Piezo Horn audible indicator, PS-1.

Options & Accessories for Electric Strikes

Lip Extension Kits for 7100 Series Electric Strikes

Lip extensions are for center hung doors, thick doors, or other conditions that vary from the "standard" 1-3/4" thick door that closes flush (or near flush) with the jamb face. Specified with electric strike by the last dash number which varies the door centerline to jamb edge dimension in 1/8" increments. For existing 7100 Series Electric Strikes, a thin metal membrane in the standard lip can be drilled or punched out and the lip extension can be added in the field. The dash number for lip extension is the same as door centerline to jamb edge dash number on complete strike.

7100 LIP EXTENSION

LIP EXTENSION PART NUMBER	APPLICABLE ELECTRIC STRIKES
91-0171-01 through -13	7100, 7110, 7111, 7130, 7140
91-0172-01 through -13	7160, 7170
91-0173-01 through -13	7108, 7128

7100 LIP EXTENSION DIMENSIONS

DASH PART NUMBER	DIMENSION 'A' – DOOR CENTERLINE TO JAMB EDGE	DASH PART NUMBER	DIMENSION 'A' – DOOR CENTERLINE TO JAMB EDGE
-00	1-1/16"	-07	2-1/4"
-01	1-1/2"	-08	2-3/8"
-02	1-5/8"	-09	2-1/2"
-03	1-3/4"	-10	2-5/8"
-04	1-7/8"	-11	2-3/4"
-05	2"	-12	2-7/8"
-06	2-1/8"	-13	3"

1-1/16" or less does not require a lip extension.

Lip extensions for fire-rated 7200 Series Electric Strikes must be factory installed.

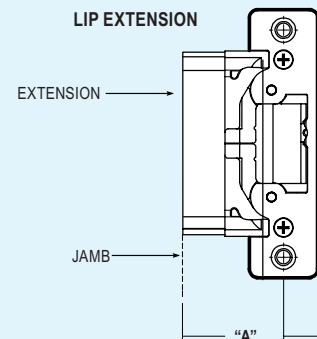
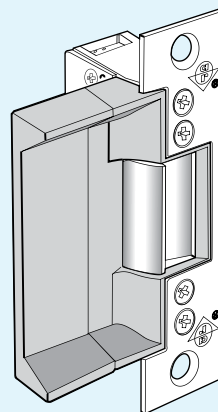
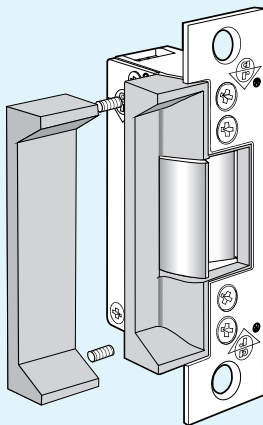
Lip Extension Kits for Ultraline 7400 Series Electric Strikes

Lip extensions are for center hung doors, thick doors, or other conditions that vary from the "standard" 1-3/4" thick door that closes flush (or near flush) with the jamb face. Lip extension kits are available in 1/8" increments.

7400 LIP EXTENSION

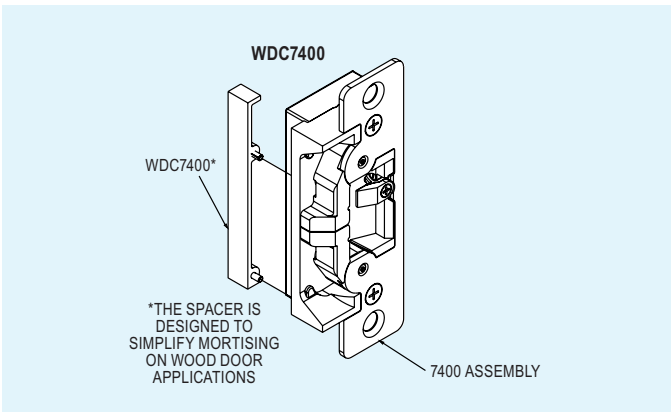
PART NUMBER	DIMENSION 'A' – DOOR CENTERLINE TO JAMB EDGE
LEK7400-50	1-3/8"
LEK7400-01	1-1/2"
LEK7400-02	1-1/16"
LEK7400-03	1-3/4"
LEK7400-04	1-7/8"
LEK7400-05	2"
LEK7400-06	2-1/8"
LEK7400-07	2-1/4"
LEK7400-08	2-3/8"
LEK7400-09	2-1/2"
LEK7400-10	2-5/8"
LEK7400-11	2-3/4"
LEK7400-12	2-7/8"
LEK7400-13	3"

1-1/16" or less does not require a lip extension.



WDC7400 Wood Door Application

For use with Ultraline 7400 Electric Strikes only, this cover plate is designed to simplify mortising of wood door pairs.

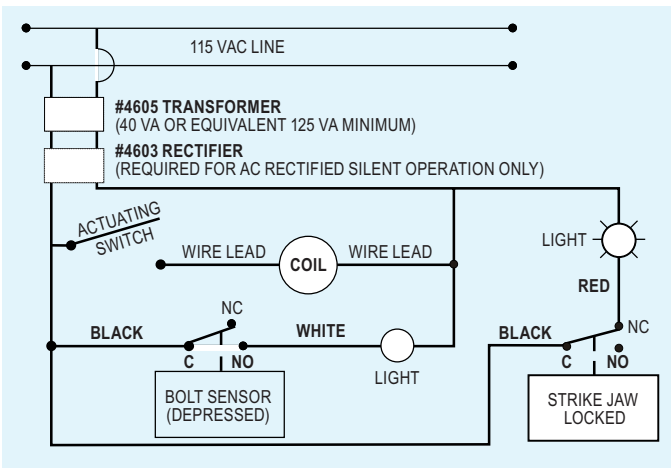


Monitor Switches

If a visual or other signal is required to tell an operator what the electric strike is doing, a "monitoring" strike to switch that signal on and off is required.

This feature utilizes two sensor switches: one is activated by the latchbolt's penetration of the strike and the other by the mechanism that blocks the strike's release.

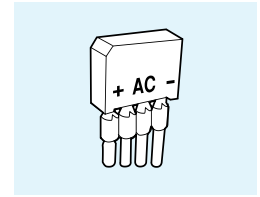
These switches can also be used to interconnect two strikes in "mantrap" or interlock situations, such as elevator doors. In these cases, power to the solenoid of each strike is controlled by the switch(es) of the other so one will not unlock unless the other is locked. Each switch has both normally open and normally closed leads to they can be wired to either make or break a circuit.



Power

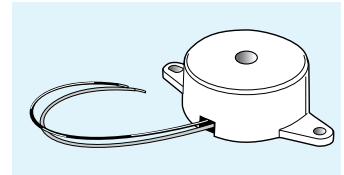
4603 RECTIFIER

Converts low voltage AC current to DC of same voltage. Installs in low voltage line between transformer and strike. Full wave bridge type. Rated 2 amps (200 PIV).



29-0218 PIEZO HORN

Provides for audible indication of when a DC strike is energized. Operates with 12 VDC, 16 VDC, or 24 VDC strikes.



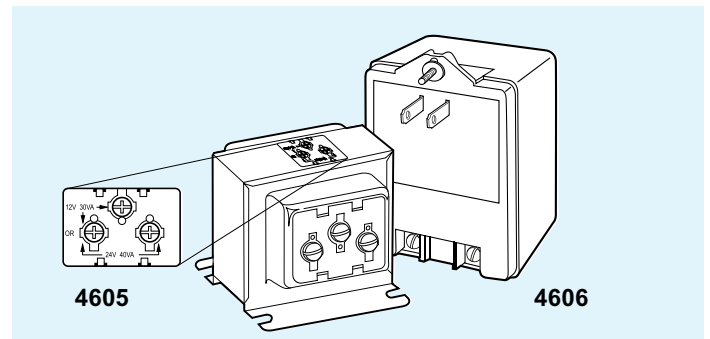
TRANSFORMERS

4605

Converts 120 VAC to 12/24 VAC. Rated 40 Volt-amp output assures plenty of power for strike release.

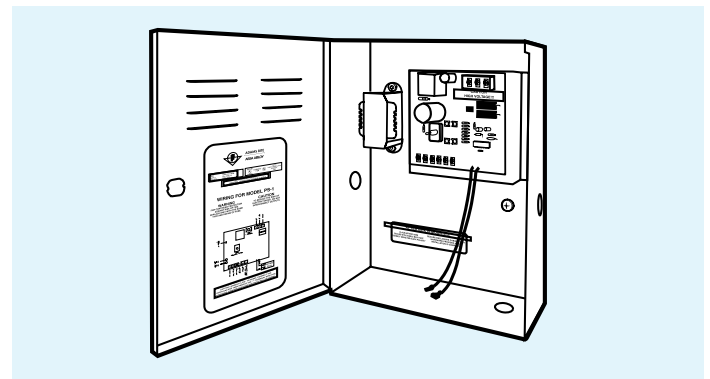
4606

Converts 120 VAC current to 24 VAC. Plugs into standard wall outlet.



PS-1 POWER SUPPLY

Provides filtered and regulated voltage output to power electric strikes, magnetic locks, or other access control devices. Output is selectable in the field for 12 or 24 VDC. Charging circuit is built-in for battery backup power with 12 or 24 VDC operation. LED on circuit board indicates power input.

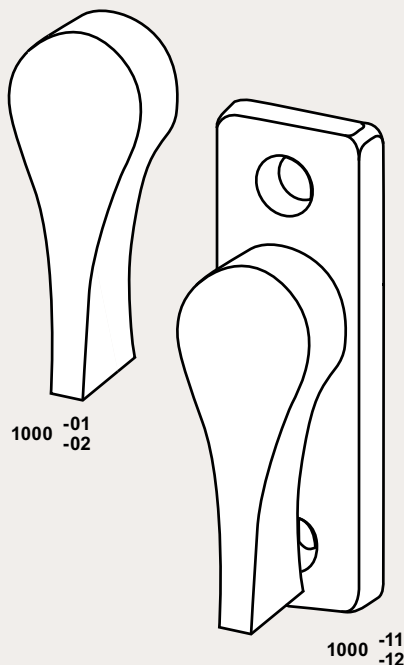


1000 Turns

The 1000 Turns are designed to operate Adams Rite MS1847 Deadlocks and the 5017 Wood Door Deadlock.

Function

1000 Turns are designed to operate Adams Rite MS[®]1847 Deadlocks and 5017 Wood Door Deadlock. 1000-11 and 1000-21 have a rectangular escutcheon for mounting directly on door. 1000-01 and 1000-02 are without escutcheon, designed for easy push-nut mounting to door pull or other trim plate.



Specifications

TURN LEVER

- Zinc alloy. Trim finish RC130.

ESCUTCHEON

- Stainless Steel. Trim finish in RC130.

SPINDLES

- Hardened steel, plated for corrosion resistance. First dash number in order guide indicates spindle parallel or perpendicular to turn level (turn drawings on back). Second dash number indicates spindle length "L" (see dash table on back).

1004 TURN

- 1004 Turn has a longer, more ergonomically-friendly turn lever.

1015 TURN

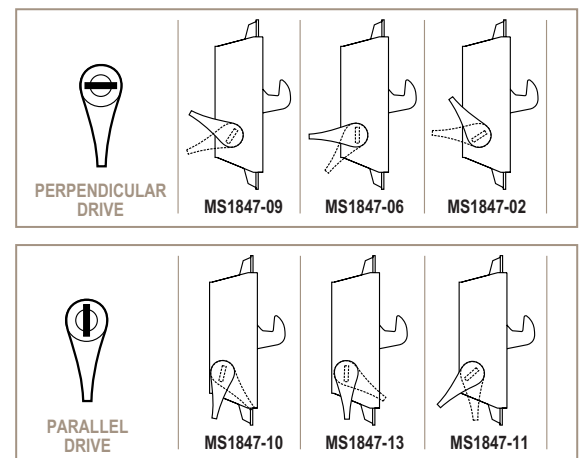
- Available with 1016 blank plate for doors from 5/8" to 2-1/4" thickness. Without blank plate turn available (for use with cylinder pull) on doors from 7/16" to 2" thickness. Standard finish 130, Satin Aluminum enamel. Turn 1015 for use with 5017 lock is designed for wood door applications.

OPTIONS

- The availability of both perpendicular and parallel drives in these turns, coupled with the three hub drive positions of the MS1847 lock, provides several options. Choice of turn drive position relates directly to the particular lock hub drive position. Special care in specifying both the proper turn and lock in ordering is recommended. Chart on the back of page shows turn positions relative to lock hub positions. Broken line indicates direction of travel (45°) to retract bolt (see chart below).

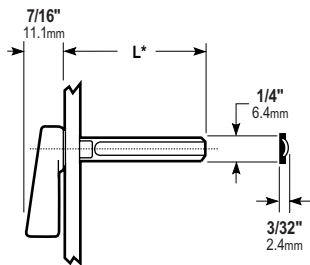
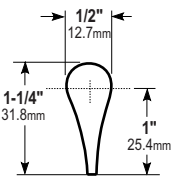
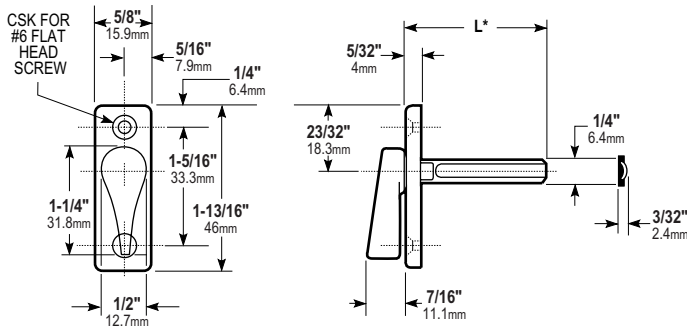
STANDARD PACKAGE

- Individually packaged. -21 and -11 assembled, with escutcheon. -01 and -02, unassembled, include turn, spindle, washer and push nut for assembly on the door pull plate. Shipping weight: 1/16 lb.

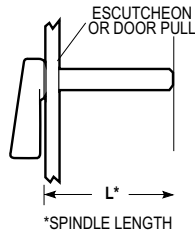


All measurements are approximate and are provided for informational purposes only. Refer to the product Installation Instructions.

Dimensions

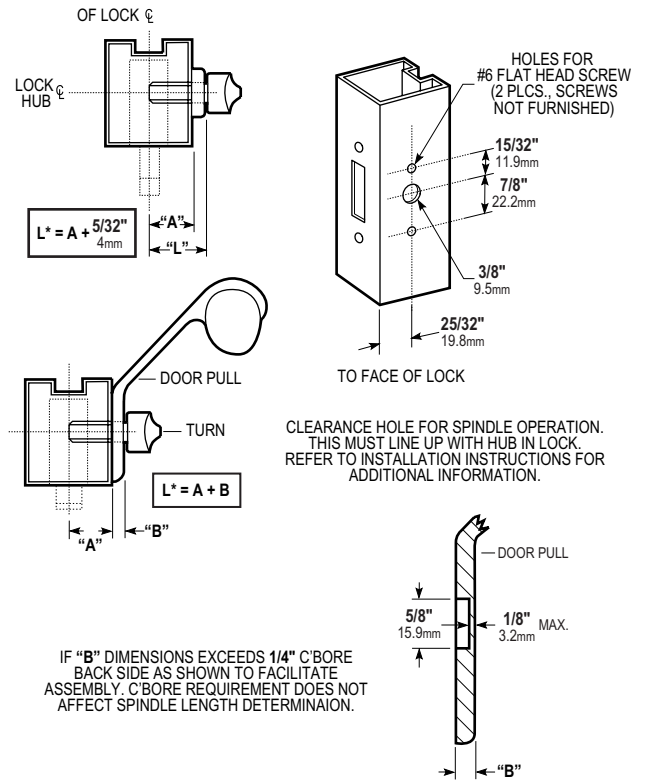


Dash Chart

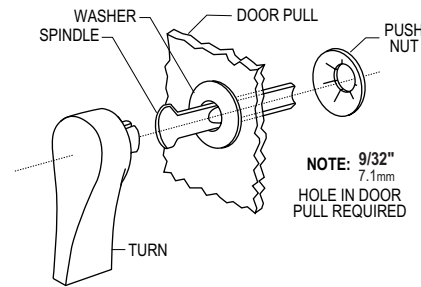


DASH CHART											
NO.	"L"	MM	NO.	"L"	MM	NO.	"L"	MM	NO.	"L"	MM
-11	17/32	13	-17	59/64	23	-23	1-19/64	33	-29	1-43/64	42
-12	39/64	15	-18	63/64	25	-24	1-23/64	35	-30	1-47/64	44
-13	43/64	17	-19	1-3/64	26	-25	1-27/64	36	-31	1-51/64	46
-14	47/64	19	-20	1-7/64	28	-26	1-31/64	38	-32	1-55/64	47
-15	51/64	20	-21	1-11/64	30	-27	1-33/64	39			
-16	55/64	22	-22	1-15/64	31	-28	1-39/64	41			

Stile Preparation DASH -11 or -21



Installation DASH -01 or -02



HOW TO ORDER 1000 SERIES TURNS

Specify quantity and the following information. Order related products separately.

PRODUCT NO.	TURN TYPE	SPINDLE LENGTH	RITECOAT FINISH
1000	-21	-14	-130
	See TURN TYPE drawings (right side)	See DASH CHART (above)	119 To match 335 Black Anodized 121 To match 313 Dark Bronze Anodized 130 To match 628 Clear Anodized

Turn Type

TURN WITHOUT ESCUTCHEON
FURNISHED UNASSEMBLED



TURN WITH ESCUTCHEON
FURNISHED ASSEMBLED



COMPATIBLE PRODUCTS This product is compatible with the following products:

Deadlocks

- MS1847 Deadlock.
- 5017 Wood Door Deadlock.

3080 Series Entry Trim



The 3080 Series Entry Trim provides outside activation for doors with any type of Adams Rite exit device. The locked handle is protected from vandalism and forced entry with a breakaway clutching mechanism

3080 Series Entry Trim Function

The 3080 Series provides outside activation of doors that have any type of Adams Rite Exit Device. Breakaway clutching mechanism protects the locked handle from vandalism or forced entry, in either direction. All models share the same core components, so handles can be changed without having to replace the entire trim. Solid construction meets Grade 1 standards.

3080E Electrified Entry Trim Function

The 3080E Electrified Entry Trim provides a continuous duty solenoid mounted to the trim, which enables remote activation of the locking function without unlatching the door, making this trim ideal for stairwell and fire doors.

Specifications

STANDARD HANDLES

- The 3080-01, -02, and -03 lever handles are designed to return within 1/2" of the door face. Handles in the Designer Series do not have this same feature. Please verify with local code requirements to ensure compliance.

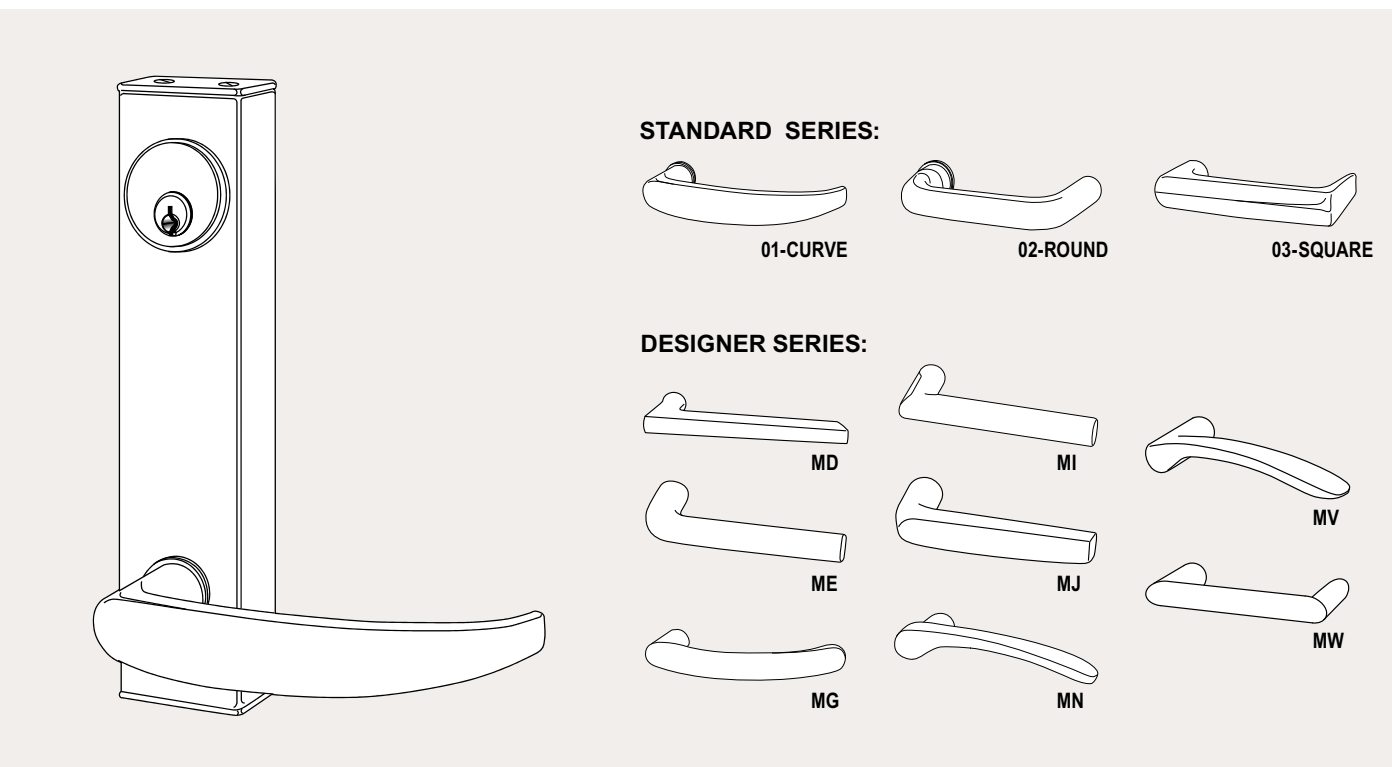
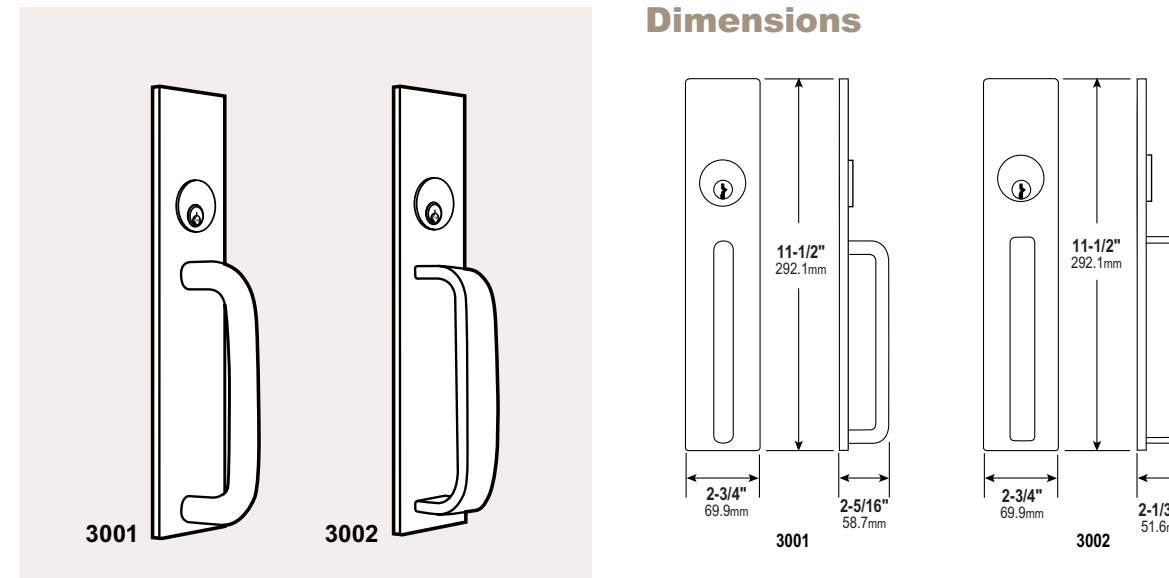
OPTIONS

- Can be ordered with or without a hole for cylinder. Order standard mortise cylinder with MS® cam separately. Order 4603 Rectifier, 4605/4606 Transformer or PS-1 Power Supply separately.

3001 & 3002 Fixed Pulls

US32D Satin Stainless Steel pulls have 2-3/4" x 11-1/2" escutcheon. Order with or without cylinder hole. For hollow metal and wood doors only.

Dimensions



HOW TO ORDER 3080 ENTRY TRIM

Specify quantity and the following information. Order related products separately.

PRODUCT NO.	ELECTRIFIED	HANDLE	HANDING	CYLINDER HOLE	EXIT DEVICE	VOLTAGE	FEATURES	TRIM COVER FINISH	FINISH
3080	E	-01	-0	-3	7	-3	0	M	US32D
	(BLANK) Standard	Standard Handles	0 No Handing 7 Right Hand*	3 With Hole 9 Without Hole	1 SVR 3 Mortise	Electrified Trim Only	Electrified Trim Only	- Standard (Black) M Matching Finish	US3 Bright Brass US4 Satin Brass
	E Electrified Trim	01 Curve 02 Round 03 Square Designer Series MD MJ ME MN* (Handed) MG MV* (Handed) MI MW	8 Left Hand*		4 SCVR 6 CVR 7 Rim U Universal Kit	3 12 Volt DC 5 24 Volt DC	0 Fail-Secure 5 Fail-Safe		US10B Oil-Rubbed Bronze US32 Bright Stainless US32D Satin Stainless

*Handing must be specified for MN and MV Designer Handles

RELATED PRODUCTS

When purchasing this product, please consider the following related products, available separately:

Cylinder

3080 Entry Trim is operable by any standard 1-5/32" diameter mortise cylinder with MS® cam.

Power

4605/4606 Transformer, 4603 Rectifier, PS-1 Power Supply and 4612 Power Transfer Device, as required for the 3080E electrified trim.

COMPATIBLE PRODUCTS

This product is compatible with the following products:

Deadlatches

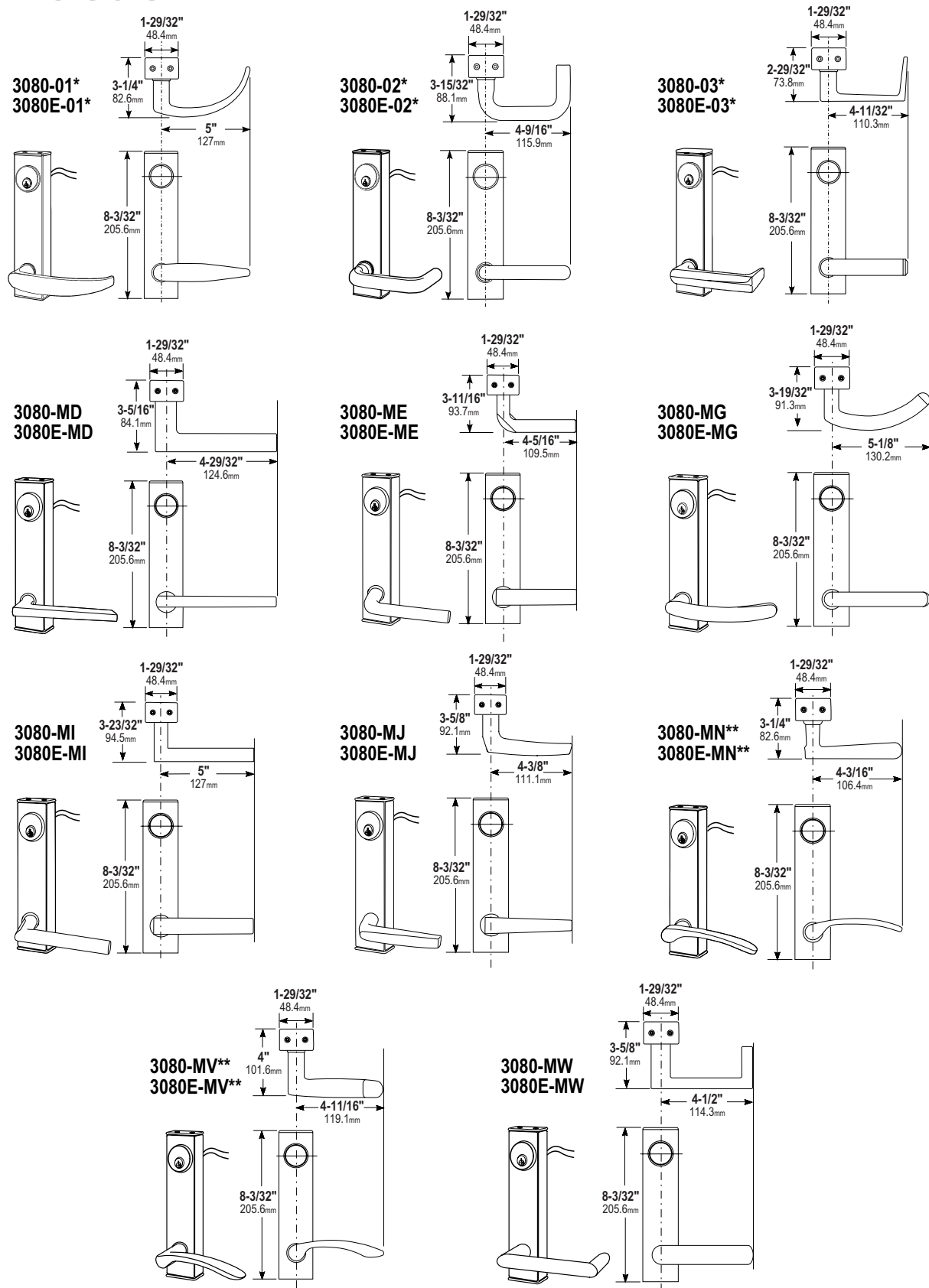
- 4300 Electrified Deadlatch.
- 4500 Series Standard Duty Deadlatch.
- 4900 Series Heavy Duty Deadlatch.
- 4781 Two-Point Deadlatch (with paddle).

Exit Devices

Adams Rite 8000 Series and 3000 Series Exit Devices

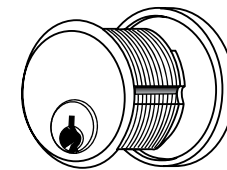
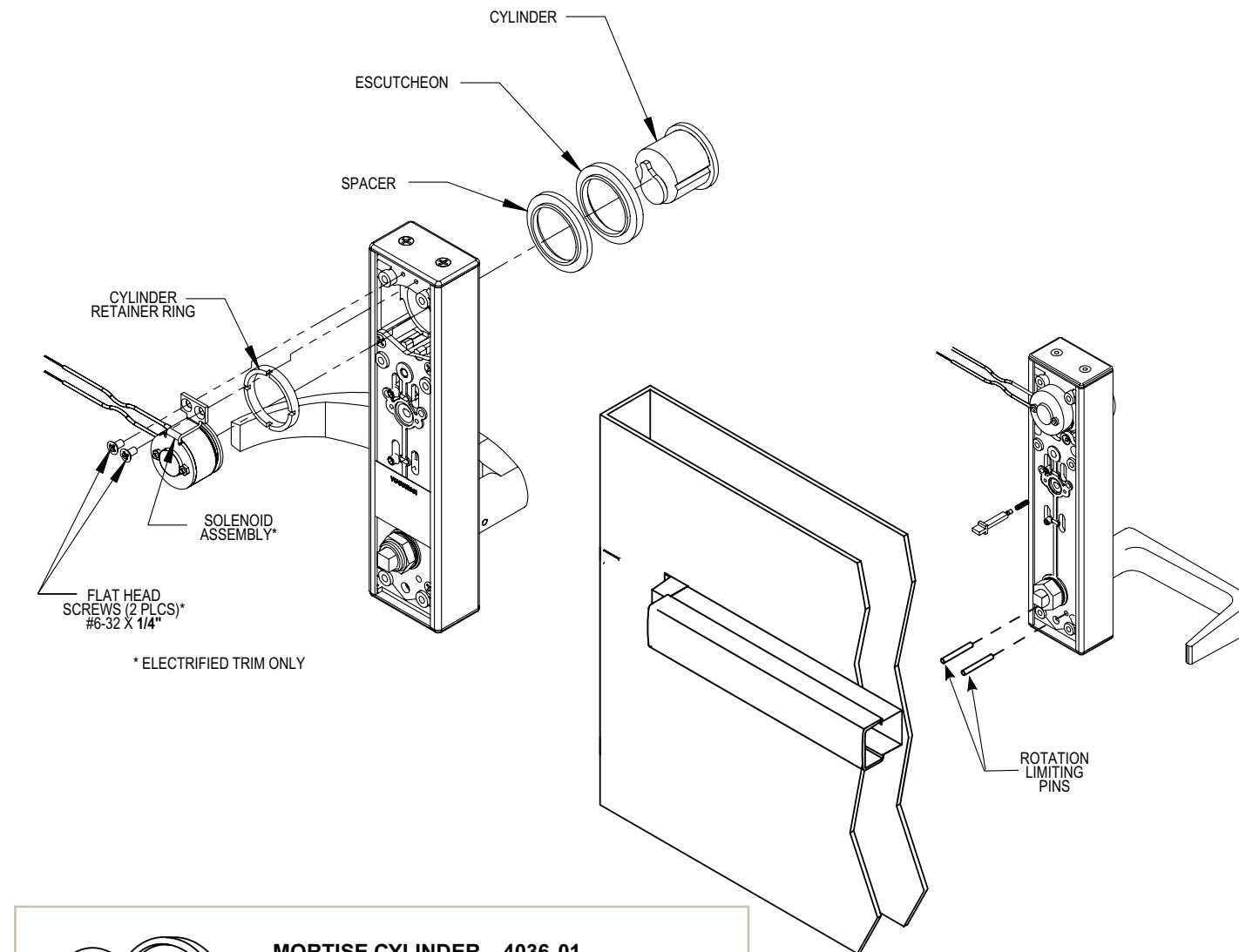
All measurements are approximate and are provided for informational purposes only. Refer to the product Installation Instructions.

Dimensions



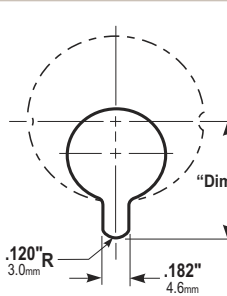
Door Preparation & Trim Installation

Door prep and installation will differ depending on the type of exit device being used. Refer to the Adams Rite templates for 3080 Entry Trim or 3080E Electrified Entry Trim for preparation details.



MORTISE CYLINDER – 4036-01

- Standard diameter five-pin unit with MS cam, suitable for use with entry trim. Available in quantity all keyed different (KD), in pairs (KA2), or 50 alike (KA50). Any other make standard mortise cylinder with MS® cam can be used to key-in with existing systems.



CYLINDER CAM

- 3080 Series Entry Trim can accept any standard 1-5/32" diameter mortise cylinder with MS® cam dimensioned as shown. Cylinders with MS® cams can be readily obtained from most cylinder manufacturers. See CYLINDERS for cylinder make, thumbturn and trim ring information.

* The 3080-01, -02, and -03 lever handles are designed to return within 1/2" of the door face. Handles in the Designer Series do not have this same feature. Please verify with local code requirements to ensure compliance.

** Handed

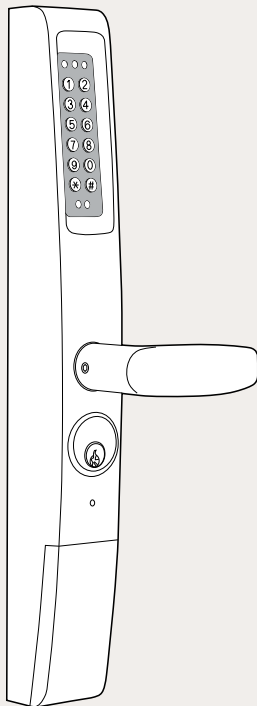
eForce®-150 3090 Keyless Entry



A battery-operated keyless entry control device, the eForce-150 3090 Keyless Entry provides access control for Adams Rite deadlocks, deadlatches, and exit devices.

Function

The eForce 3090 Keyless Entry is a battery-operated keyless entry control for Adams Rite deadlocks, deadlatches and exit devices, that is compatible with aluminum stile, steel, and wood door applications. The device can accommodate up to 150 users, including master, supervisor, and emergency users plus two one-time codes. The eForce 3090 can operate in three modes: Standard, Passage, and Lockout. All programming is accomplished via the keypad. Device operation is confirmed by both a visual LED light indicator and an audible sound generated by a piezo horn.



Operation

In the standard mode of operation, a programmed 2 to 7-digit character followed by a star (*) key allows for one entry when used with Adams Rite deadlatches or exit devices. The MS Deadlocks must always be relocked manually when used with the eForce 3090. Hold open time is adjustable from 1 to 9 seconds.

Features

- Surface mounted with concealed fasteners (1-3/4" to 2-1/4" door thickness)
- Non-handed with clutched lever protection
- Key override via mortise cylinder (1" to 1-1/2" length with MS® cam)
- UV stable keypad material
- Full outdoor rating: temperature range from -31°F to 151°F (-35°C to 65°C) and 5-95% humidity (non-condensing)
- Powered by 4 AA alkaline batteries; supports 60,000 activations

Specifications

HOUSING

- The sleek-looking 3090 eForce measures 1-3/4" wide x 15-3/8" high, with Satin Chrome (626) and Powdercoat Dark Bronze (121) finishes.

HANDLE

- Clutch-protected cast zinc alloy, finished to match housing, field selectable handing.

COMPATIBLE LOCKING DEVICES

- The 3090 eForce retrofits to Adams Rite MS® Deadlocks, 4500 and 4900 Deadlatches and 8000 Series Exit Devices in 31/32" backsets and greater. Additionally, the 3090 eForce-150 is compatible with Yale 7200 Series and Corbin Russwin ED4000 Series exit devices (check model number for availability).

OPTIONS

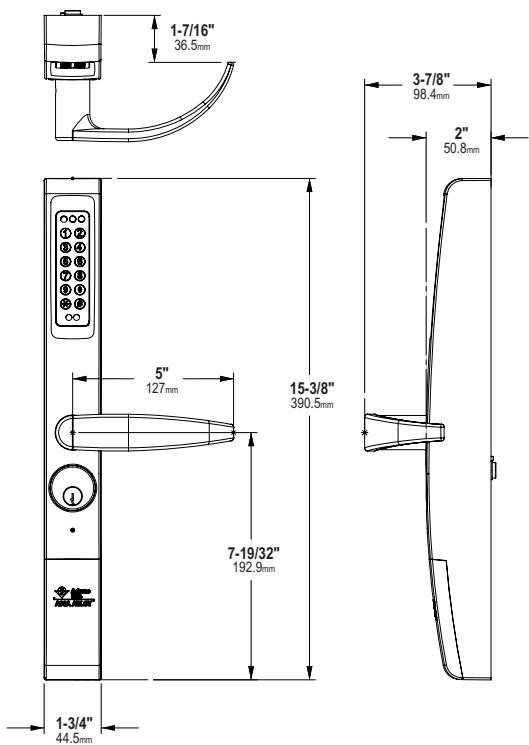
- RSK-3090, Remote activation input cable

STANDARD PACKAGE

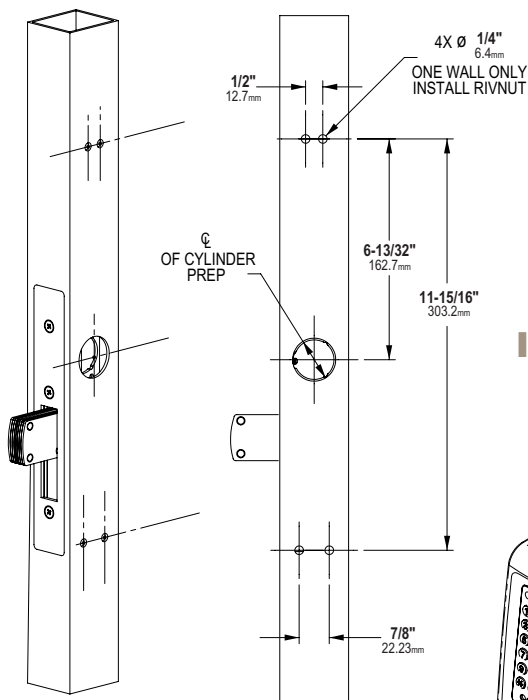
- Individually boxed with installation instructions, manual, and mounting hardware for metal door applications from 1-3/4" to 2-1/4" thick. Shipping weight approximately 5.5 lbs.

All measurements are approximate and are provided for informational purposes only. Refer to the product Installation Instructions.

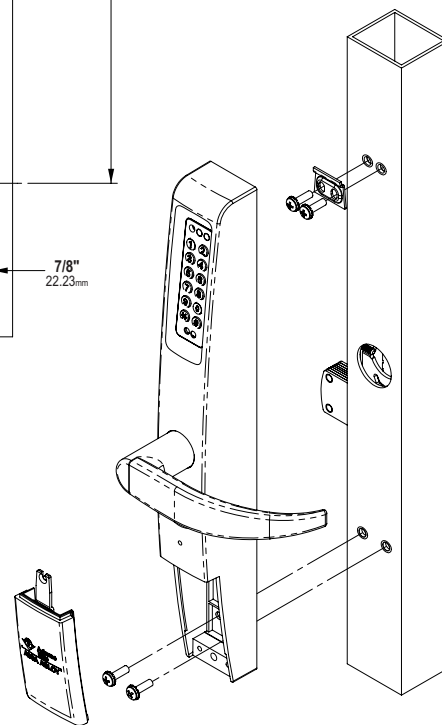
Dimensions

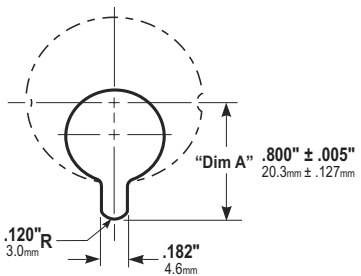


Stile Preparation



Installation





CYLINDER CAM

- Operable by any standard 1-5/32" diameter mortise cylinder with MS® cam dimensioned as shown. Cylinders with MS® cams can be readily obtained from most cylinder manufacturers. See CYLINDERS section for cylinder make, thumbturn and trim ring information.

HOW TO ORDER EFORCE®-150 3090 KEYLESS ENTRY

Specify quantity and the following information. Order related products separately.

PRODUCT NO.	COMPATIBLE PRODUCTS	FINISH
3090	-01	-626
01	Adams Rite latches or 8000 Series Exit Devices, Yale 7200 series, Corbin Russwin ED4000 series exit devices only	121 To match 313 Dark Bronze Anodized
02	Adams Rite MS® deadlocks	626 Satin Chrome

RELATED PRODUCTS

When purchasing this product, please consider the following related products, available separately:

Accessories

RSK-3090 Remote Activation Kit.

Cylinder

Key override for the eForce 3090 by any standard 1-5/32" diameter mortise cylinder with MS® cam.

COMPATIBLE PRODUCTS

This product is compatible with the following products:

Deadlocks

MS1850S(-050), MS1850SN(-050), MS1950(-050).

Deadlatches

4500 Series Standard Duty Deadlatch.
4900 Series Heavy Duty Deadlatch.

Exit Devices

Adams Rite 8000 Series Exit Devices in 31/32" backset or greater.

eForce® 3090P, 3090C Keyless Entry



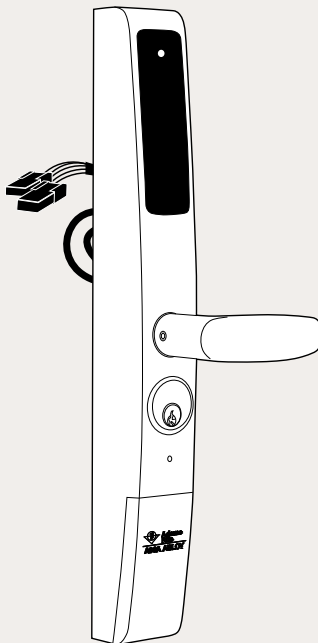
The eForce 3090P (Prox) and 3090C (iCLASS) Keyless Entries provide maximum security with either HID® Prox or iCLASS contactless card reader.

Function

The eForce 3090P, 3090C is a hardwired keyless entry control for Adams Rite deadlocks, deadlatches and exit devices, that is compatible with aluminum stile, steel and wood door applications.

An authorized card presentation is confirmed with an audible beep and visual change in the red/green LED indicator – displaying the locked/unlocked status. A high-speed motor engages an internal clutch to enable the exterior lever handle operation. Upon timeout, the lever operation is disabled until the next authorized card presentation or key override. The MS® Deadlocks must always be relocked manually when used with the eForce 3090P, 3090C Keyless Entry Trim.

Hardwired installation: 18-22 AWG recommended (seven conductor stranded and shielded). 500 ft maximum distance to host.



Features

- Non-handed with clutched lever protection
- Key override via mortise cylinder (1" to 1 1/2" length with MS® cam)
- Surface mounted with concealed fasteners (1-3/4" to 2-1/4" door thickness)
- Temperature range: -31°F to 151°F (-35°C to 65°C) and 5-95% humidity (non-condensing)

Specifications

ELECTRICAL SPECS: eFORCE 3090P PROX

- Integrated HID® 125 KHz Prox contactless card reader
- Interfaces with any Wiegand-compatible access control system
- Recognizes HID® Prox 26-39 bit formats
- FCC Part 15 (USA & Canada)
- 12VDC/150mA average 300mA peak

ELECTRICAL SPECS: eFORCE 3090C ICLASS

- Integrated HID® 13.56 MHz iCLASS Reader
- Supported credential formats:
 - CLASS – ISO 15693
 - CSN Read Only: MIFARE 14443A, DESFire – ISO 14443A, Sony Felica – ISO 14443C
- 12VDC/150mA average 300mA peak

HOUSING

- The sleek-looking eForce-3090P, 3090C measures 1-3/4" wide x 15-3/8" high, with Satin Chrome (626) and Powdercoat Dark Bronze (121) finishes.

HANDLE

- Clutch-protected cast zinc alloy, finished to match housing, field selectable handing.

COMPATIBLE LOCKING DEVICES

- The eForce 3090P, 3090C retrofits to Adams Rite MS® Series Deadlocks, 4500 and 4900 Deadlatches and 8000 Series Exit Devices in 31/32" backsets and greater. Additionally, the 3090P/C is compatible with Yale 7200 Series and Corbin Russwin ED4000 Series exit devices (check model number for availability).

OPTIONS

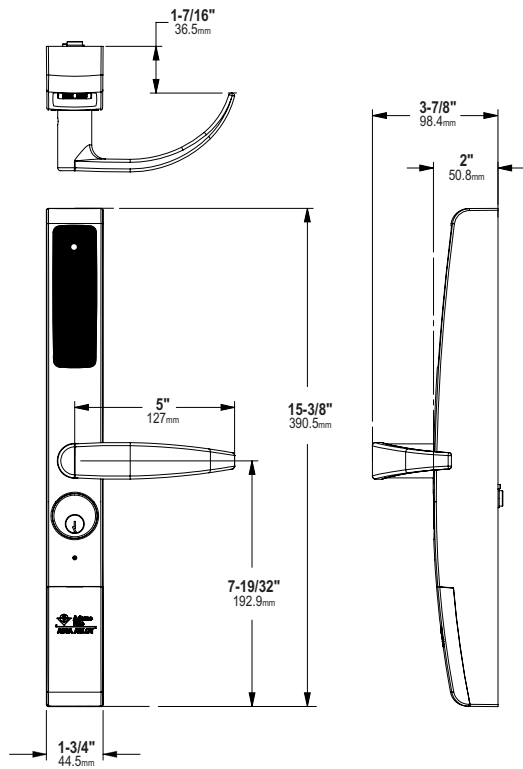
- Add Cable Extension Kit (12') 3090-CABLE with connectors to allow for wiring to run from installation site to hub.

STANDARD PACKAGE

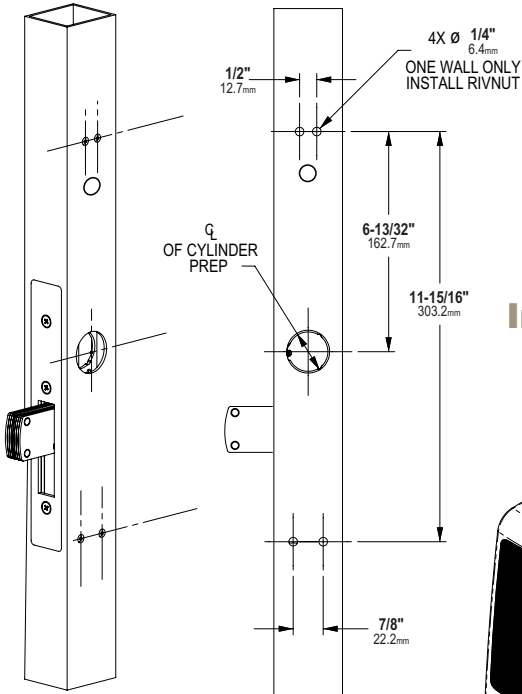
- Individually boxed with installation instructions, owner's manual, and mounting hardware for metal door applications from 1-3/4" to 2-1/4" thick. Shipping weight approximately 5.5 lbs.

All measurements are approximate and are provided for informational purposes only. Refer to the product Installation Instructions.

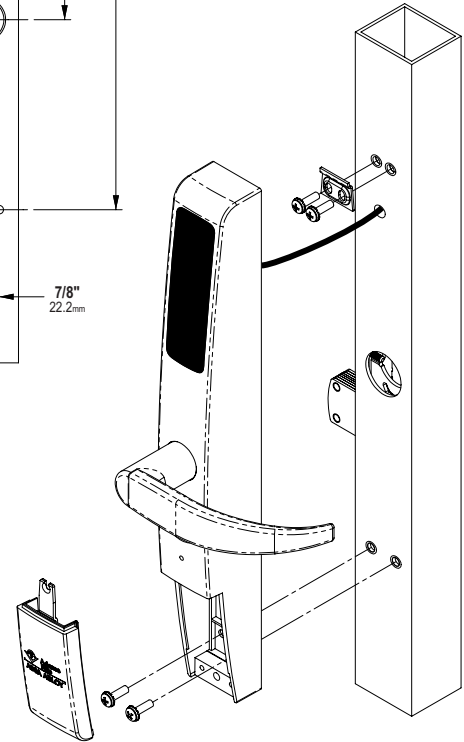
Dimensions

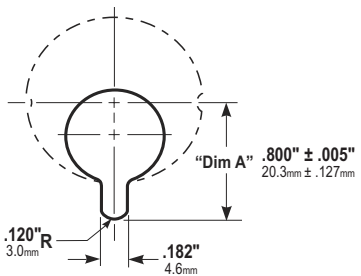


Stile Preparation



Installation





CYLINDER CAM

- Operable by any standard 1-5/32" diameter mortise cylinder with MS® cam dimensioned as shown. Cylinders with MS® cams can be readily obtained from most cylinder manufacturers. See CYLINDERS section for cylinder make, thumbturn and trim ring information.

HOW TO ORDER EFORCE® 3090P, 3090C KEYLESS ENTRY

Specify quantity and the following information. Order related products separately.

PRODUCT NO.	CREDENTIAL	COMPATIBLE PRODUCTS	FINISH
3090	P	-01	-626
	P 125 kHz HID@ Prox	01 Adams Rite latches or 8000 Series Exit Devices, Yale 7200 series, Corbin Russwin ED4000 series exit devices only	121 To match 313 Dark Bronze Anodized
	C 13.56 MHz HID iCLASS	02 Adams Rite MS® deadlocks	626 Satin Chrome

RELATED PRODUCTS

When purchasing this product, please consider the following related products, available separately:

Accessories

3090-CABLE 12' Cable Extension Kit.

Cylinder

Key override for the eForce 3090 by any standard 1-5/32" diameter mortise cylinder with MS® cam.

Power

PS-1 and 4612 Power Transfer Device.

COMPATIBLE PRODUCTS

This product is compatible with the following products:

Deadlocks

Compatible with Adams Rite MS Deadlocks including: MS1850S(-050), MS1850SN(-050), MS1950(-050).

Deadlatches

4500 Series Standard Duty Deadlatch. 4900 Series Heavy Duty Deadlatch.

Exit Devices

Adams Rite 8000 Series Exit Devices in 31/32" backset or greater.

A100-3090H Keyless Entry Control and Aperio® Hub

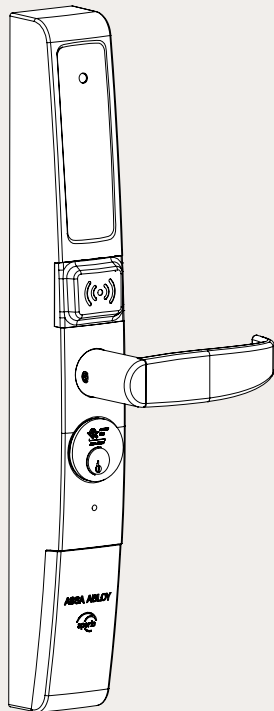


The A100-3090H Keyless Entry Control and Aperio® Hub provides maximum security and audit trail with either HID® Prox or iCLASS contactless card reader that can integrate into existing access control systems.

Function

The A100-3090H is a keyless entry control for Adams Rite deadlocks, deadlatches and exit devices, that is compatible with aluminum stile, steel and wood door applications.

An authorized card presentation is confirmed with an audible beep and visual change in the red/green LED indicator – displaying the locked/unlocked status. A high-speed motor engages an internal clutch to enable the exterior lever handle operation. Upon timeout, the lever operation is disabled until the next authorized card presentation or by key override.



Features

- Aperio wireless technology
- Vandal resistant lever with break-away (resettable) clutch
- Key override via mortise cylinder (1 to 1 1/2" length with MS® cam, available separately)
- Surface mounted with concealed fasteners (1-3/4" to 2-1/4" door thickness)
- Temperature range: -31°F to 151°F (-35°C to 65°C) and 5-95% humidity (non-condensing)
- Efficient power usage; 4 x AA Alkaline, included; supports 60,000 activations.
- 50 ft. max. distance to wireless hub.

Specifications

WIRELESS ACCESS CONTROL

- Minimal field configuration for quick, easy wireless deployments that eliminate the cost and inconvenience of hardwiring the door
- Fully-encrypted AES 128 bit wireless communication between the A100 lock and Aperio hub ensures data security
- The Aperio wireless hub connects to an access control system with typical Wiegand wiring and additional REX, DPS, tamper and low batter signal wires
- The Aperio hub should be mounted within 50' of the desired lock location and through two walls or less

HOUSING

- The sleek-looking A100-3090H measures 1-3/4" wide x 15-3/8" high, with Satin Chrome (626) and Powdercoat Dark Bronze (121) finishes.

HANDLE

- Clutch-protected cast zinc alloy, finished to match housing; field selectable handing.

COMPATIBLE LOCKING DEVICES

- The A100-3090H works with existing Adams Rite MS® Deadlocks, 4500, 4700, 4900, Series Deadlatches and 8000 Series Exit Devices in 31/32" backsets and greater. Additionally, the A100-3090H is compatible with Yale 7200 Series and Corbin Russwin ED4000 Series exit devices (check model number for availability).

ELECTRICAL SPECS

- Integrated HID® 125 KHz Prox contactless card reader supporting HID® Prox 26-39 bit formats
- Integrated HID® 13.56 MHz iCLASS contactless card reader.
- FCC Part 15 (USA and Canada) Compliant

OPTIONS AND ACCESSORIES

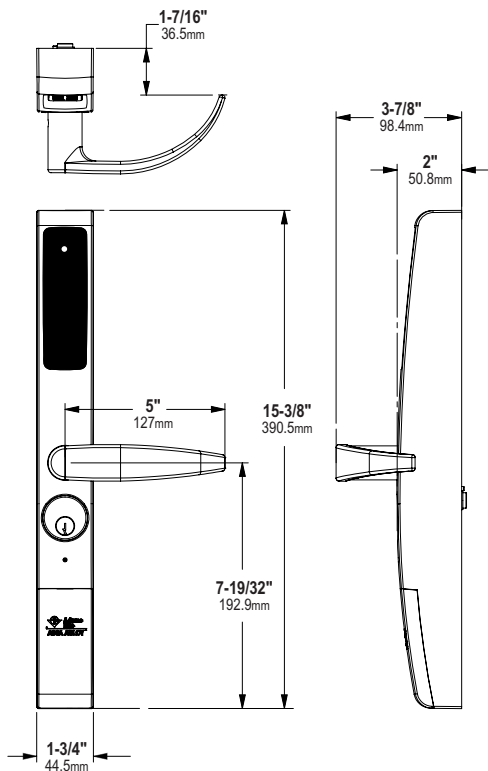
- DPS switch (DPS-C-38G), Mortise Cylinder.

STANDARD PACKAGE

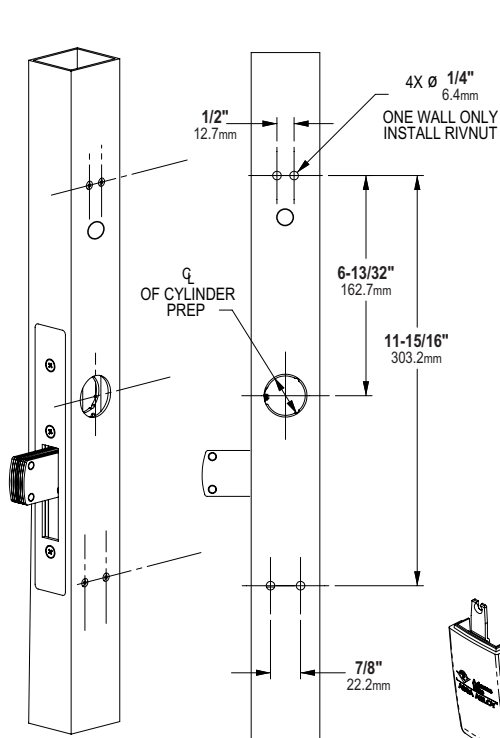
- Individually boxed with installation instruction, wireless hub and mounting hardware for metal door applications from 1-3/4" to 2-1/4" thick. Shipping weight approximately 6 lbs.

All measurements are approximate and are provided for informational purposes only. Refer to the product Installation Instructions.

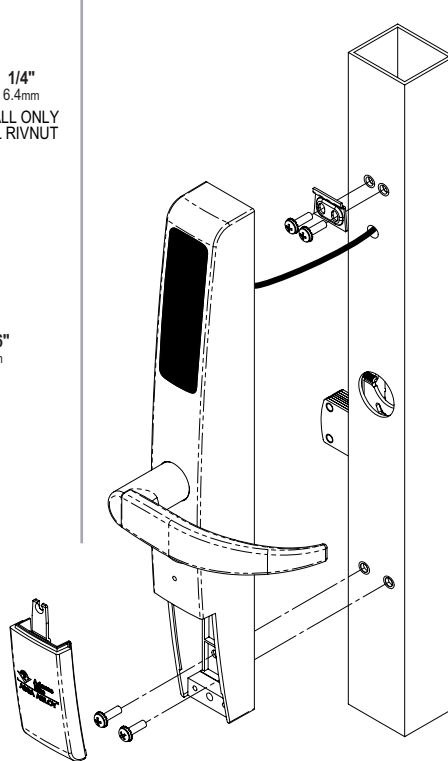
Dimensions



Stile Preparation



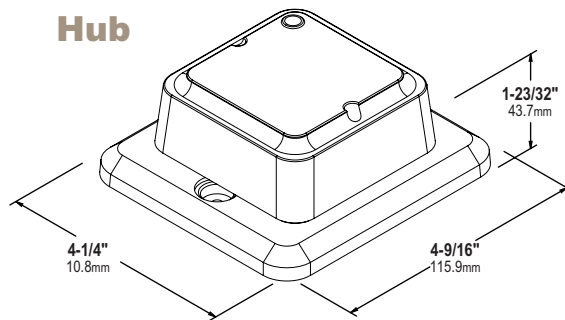
Installation



CYLINDER CAM

- Operable by any standard 1-5/32" diameter mortise cylinder with MS® cam dimensioned as shown. Cylinders with MS® cams can be readily obtained from most cylinder manufacturers. See CYLINDERS section for cylinder make, thumbturn and trim ring information.

Hub



HOW TO ORDER A100-3090H KEYLESS ENTRY CONTROL AND APERIO® HUB

Specify quantity and the following information. Order related products separately.

PRODUCT NO.	CREDENTIAL	COMPATIBLE PRODUCTS	FINISH
A100-3090H	-C	-1	-626
	P 125 kHz HID® Prox	1 Adams Rite latches or 8000 Series Exit Devices, Yale 7200 series, Corbin Russwin ED4000 series exit devices only. (select REX enabled version)	121 To match 313 Dark Bronze Anodized
	C 13.56 MHz HID iCLASS	2 Adams Rite MS® deadlocks	626 Satin Chrome

RELATED PRODUCTS

When purchasing this product, please consider the following related products, available separately:

Accessories

DPS-C-38G
DPS switch.

Cylinder

Key override for the eForce 3090 by any standard 1-5/32" diameter mortise cylinder with MS® cam.

COMPATIBLE PRODUCTS

This product is compatible with the following products:

Deadlocks

MS1850S(-050),
MS1850SN(-050)
MS1950(-050).

Deadlatches

4500 Series Standard Duty Deadlatch.
4900 Series Heavy Duty Deadlatch.

Exit Devices

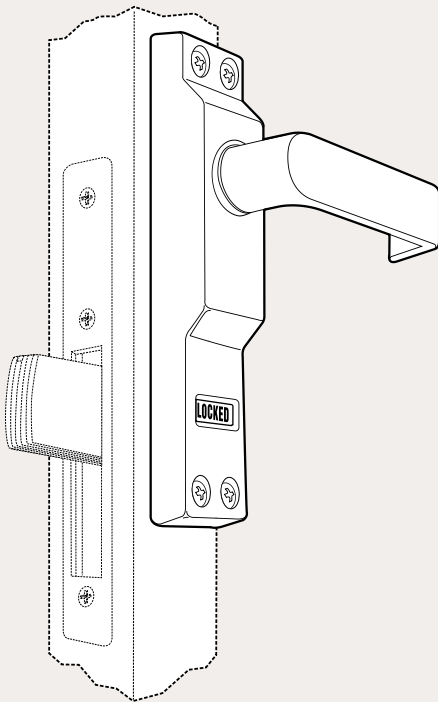
Adams Rite 8000 Series Exit Devices in 31/32" backset or greater.

4550 MS® Deadlock Lever

The 4550 MS® Deadlock Lever easily unlocks an MS® Deadlock with approximately three pounds of downward force. The spring-loaded lever relocks with an upward motion.

Function

Easy unlocking of any MS Deadlock by approximately 3lbs. downward force on a 3" lever. Lever is spring loaded to horizontal, relocks with upward motion. Indicator signals lock status. Can be installed in place of existing key cylinder or cylinder type thumbturn on inside of door. 4550 Deadlock Lever not compatible with 7/8" backset locks.



Operation

Turn lever downward 90° to unlock. When released, lever returns to horizontal. Turn lever upward 90° to relock. Key operation from outside is not affected. Clutching action prevents damage to internal components.

Specifications

HOUSING

- Aluminum casting is 1-3/8" wide x 7-1/2" long x 1" deep.

LEVER

- 3" long aluminum with end-return design offers comfortable grip to lock or unlock.

INDICATOR

- Words "LOCKED" in red letters or "OPEN" in black letters appear on white background when lock is thrown or retracted. Indicator is driven by lock bolt itself.

STOP CLEARANCE

- Lever housing projects 11/16" forward of cylinder backset centerline. Depending on height of door stop and width of door/jamb gap, it may be necessary to modify the stop to clear the housing. For fin type stops, this is easily accomplished. Hollow stops may preclude use of lever.

COMPATIBLE LOCKS

- Any MS® pivoted bolt deadlock including "Schoolhouse" versions can be fitted with the 4550 including MS1850S, MS1950, MS1837, etc. Derivative units such as 1870, 1870HM, or 1877 flushbolts (bolt into threshold) are also operable by the 4550 lever. Not compatible with MS+1890 or 2190 Deadlock/Latch or with 7/8" backset locks.

OPTIONS

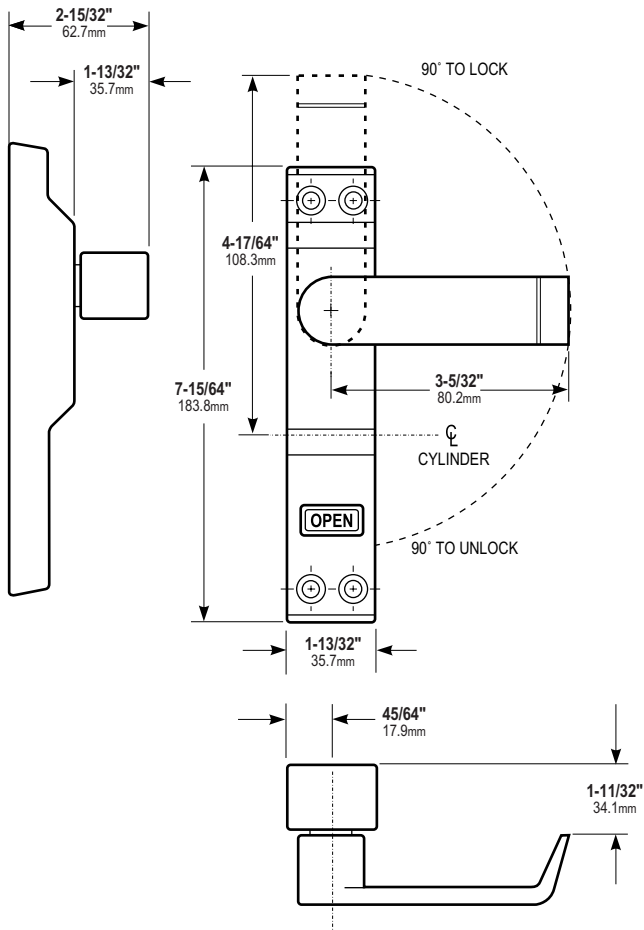
- Available in three finishes to match anodized aluminum finishes. Can be ordered for left or right hand door, but is easily reconfigured in the field to accommodate either door swing.

STANDARD PACKAGE

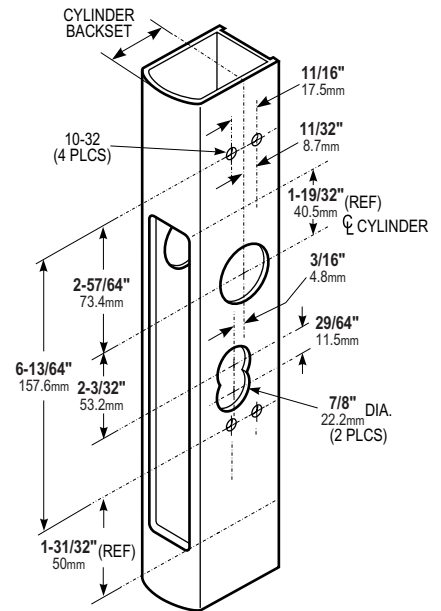
- Individually boxed with installation instructions, mounting screws, and drive pins for both single point and threshold bolt-equipped locks. Shipping weight: 1 lb.

All measurements are approximate and are provided for informational purposes only. Refer to the product Installation Instructions.

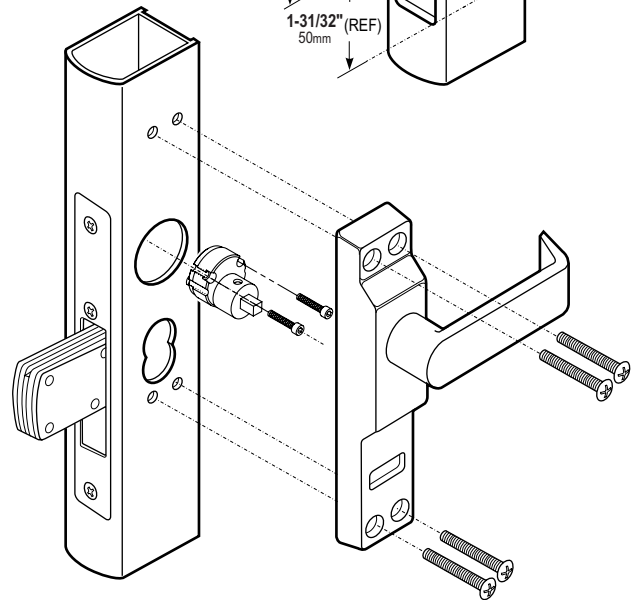
Dimensions



Stile Preparation



Installation



HOW TO ORDER 4550 MS® DEADLOCK LEVER

Specify quantity and the following information. Order related products separately.

PRODUCT NO.	DOOR HAND*	DOOR THICKNESS	RITECOAT FINISH
4550	R	-01	-130
	R RH or RHR	01 1-3/4" to 2"	119 To match 335 Black Anodized
	L LH or LHR	02 2-1/8" to 2-3/8"	121 To match 313 Dark Bronze Anodized
			130 To match 628 Clear Anodized

*Regardless of swing

COMPATIBLE PRODUCTS

This product is compatible with the following products:

Deadlocks

MS1837, MS1850S, MS1850SN, MS1861, MS1950
Not compatible with 7/8" backset.

Flushbolts

1870 Series Cylinder-Operated Flushbolts.
1877 Cylinder-Operated Flushbolts.

4560, 4565 Deadlatch Handles

The 4560 and 4565 Deadlatch Handles easily unlock the 4300, 4500 and 4900 Series Deadlatches. These handles fit solidly into the cylinder hole of the latch.

Function

Designed to operate 4300, 4500 and 4900 Series Deadlatches by a natural downward hand movement, these handles incorporate an activator cam disc that mounts on the handles escutcheon and fits solidly into the cylinder hole of the latch. Not intended for use as a door pull.

Specifications

4560 HANDLE

- ADA Compliant lever is shaped to fit the hand, with a concave thumb-rest portion that tends to keep knuckles and thumb safely away from the jamb, even on a short backset narrow stile.

4565 HANDLE

- Thumbturn of minimum practical length is designed to offer a firm grip to the fingertips. Ideal for doors where the latch is operated infrequently or in emergencies only.

ESCUTCHEONS

- Both handles shown here use the same 1-3/8" x 4" escutcheon, designed to match the clean lines of a narrow stile door. A 1/4" square heat-treated spindle is part of escutcheon assembly, which interlocks with the cam plug. Finished to match lever.

CAM PLUGS

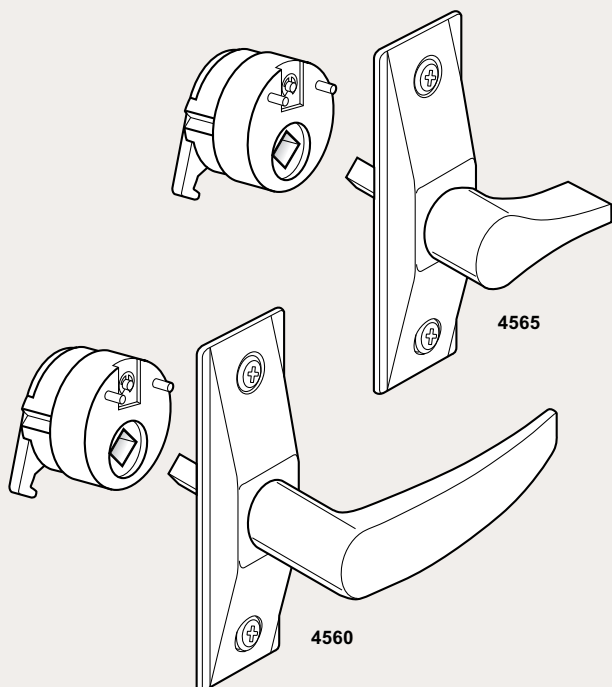
- Secured in latch body by cylinder setscrew, the plug is also rigidly tied to handle escutcheon by hardened steel pins. Handing can be reversed by removing a spring clip, reversing the cam, and replacing the clip.

OPTIONS

- Can be ordered for left or right hand door, but is easily reconfigured in the field to accommodate either door swing. The standard handles shown are for 1-3/4" thick doors. Available on special order for doors up to 3-1/4".

STANDARD PACKAGE

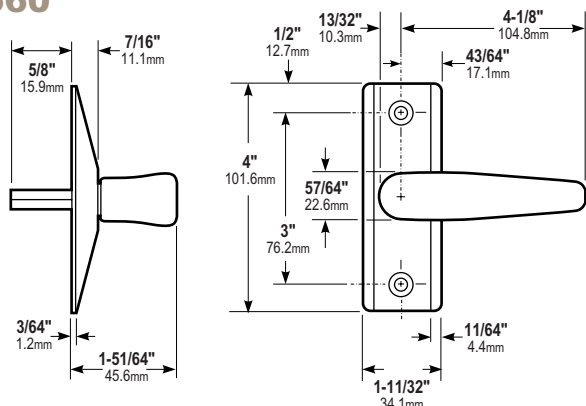
- Individually bagged and bulk-packed in cartons, up to 100 per carton.



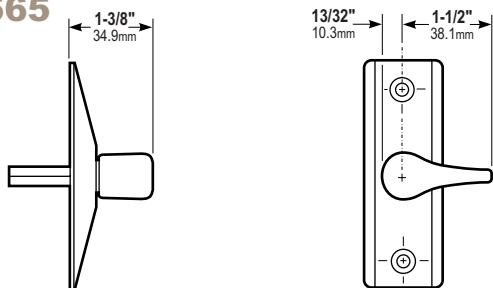
All measurements are approximate and are provided for informational purposes only. Refer to the product Installation Instructions.


Dimensions

4560



4565

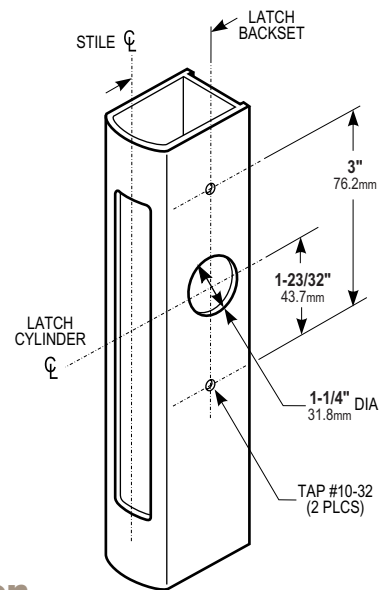




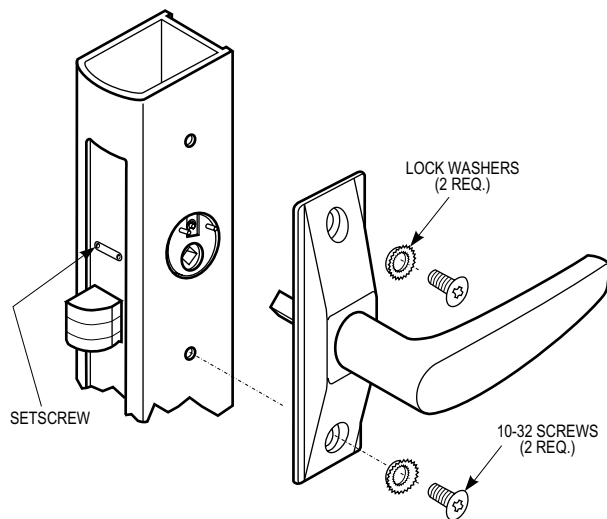
REVERSIBLE 4580 CAM DISC

- Included with 4560, 4565 handles.
- Required to operate 4500 / 4900 / existing 4700 series latches.

Narrow Stile Preparation



Installation



HOW TO ORDER 4560, 4565 DEADLATCH HANDLES

Specify quantity and the following information. Order related products separately.

PRODUCT NO.	HANDLE TYPE	HANDING	DOOR THICKNESS		RITECOAT FINISH
456	0	-5	01		-130
	0 Lever	0 Using MS+1890	For 4300, 4500, 4900 Series Deadlatches		119 To match 335 Black Anodized
	5 Turn	5 LH or LHR	01 1-3/4" to 2"	For MS+1890	121 To match 313 Dark Bronze Anodized
		6 RH or RHR	02 2-1/4" to 2-1/2"	12 1-3/4" to 2-1/4"	130 To match 628 Clear Anodized
			03 2-3/4" to 3"	13 2-5/16" to 2-3/4"	
			04 3-1/4"		

COMPATIBLE PRODUCTS This product is compatible with the following products:

Deadlatches

- 4300 Electrified Deadlatch
- 4500 Series Standard Duty Deadlatch
- 4900 Series Heavy Duty Deadlatch

4568, 4569 Eurostyle Deadlatch Handles

The 4568 and 4569 Deadlatch Handles easily unlock the 4300, 4500 and 4900 Series Deadlatches. These handles fit solidly into the cylinder hole of the latch.

Function

Designed to operate 4300, 4500 and 4900 Series Deadlatches by a natural downward hand movement, these handles incorporate an activator cam disc that mounts on the handles escutcheon and fits solidly into the cylinder hole of the latch. Not intended for use as a door pull.

Specifications

LEVERS

- Lever of cast aluminum, in choice of 130 Satin Aluminum, 121 Dark Bronze, or 119 Black. Modern European styling offers a generous hand grip with shank offset from the narrow stile jamb for hand safety. 4569 has return end to meet anti-snag code requirements.

ESCUTCHEONS

- Both handles shown use the same 1-3/8" x 4" escutcheon, designed to match the clean lines of a narrow stile door. Steel mounted base is secured by hidden screws and has two large helical compression springs (one becomes a "spare" once handing is given). A 1/4" square heat-treated spindle is part of escutcheon assembly, which interlocks with the cam plug. Finished to match lever.

CAM PLUGS

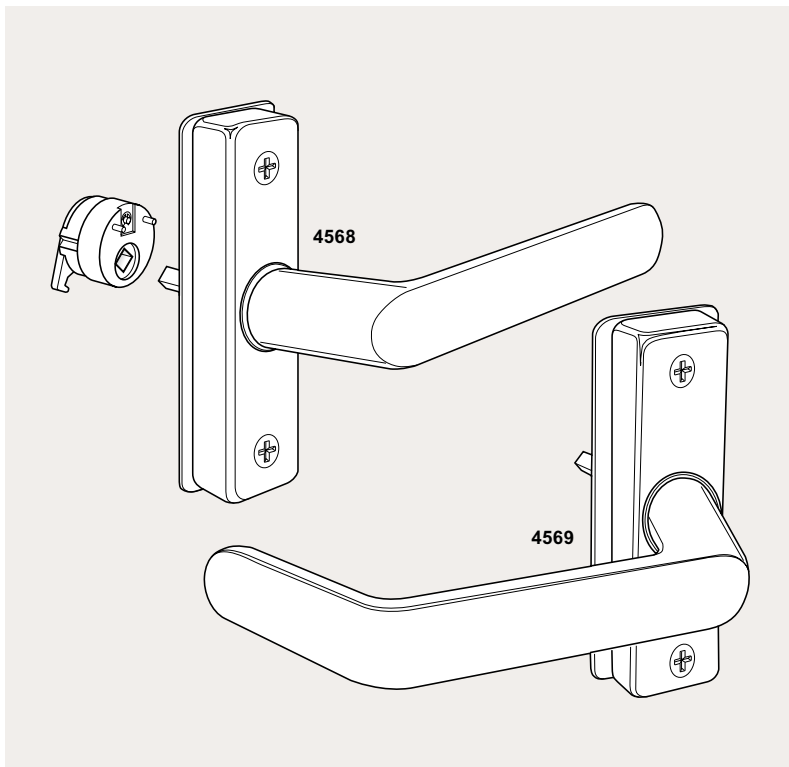
- Secured in latch body by cylinder setscrew, plug is also rigidly tied to handle escutcheon by hardened steel pins. Handing can be reversed by removing a spring clip, reversing the cam, and replacing the clip.

OPTIONS

- Can be ordered for left or right hand door, but is easily reconfigured in the field to accommodate either door swing. The standard handles shown are for 1-3/4" thick doors. Available on special order for doors up to 3-1/4".

STANDARD PACKAGE

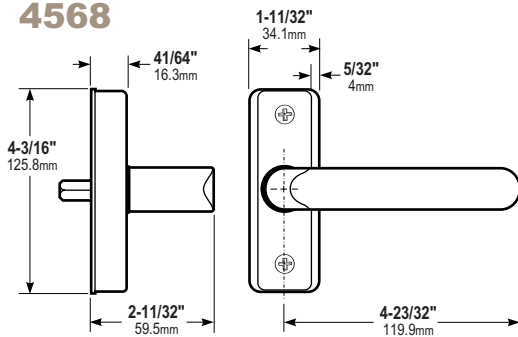
- Packed individually with cam plug handed LH or RH as specified. Mounting screws included. Shipping weight: 1/2 lb.



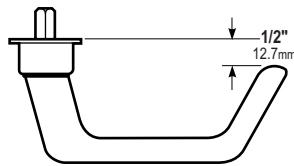
All measurements are approximate and are provided for informational purposes only. Refer to the product Installation Instructions.

Dimensions

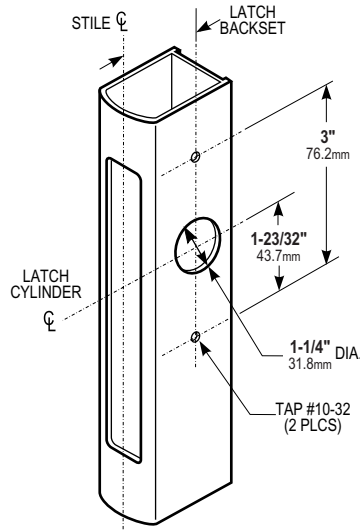
4568



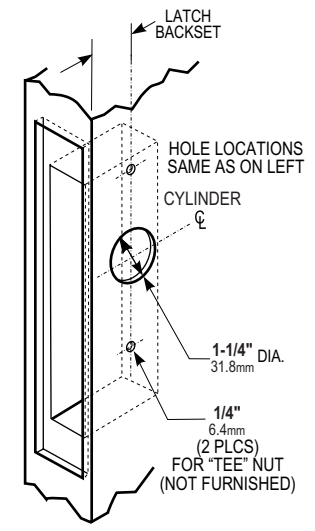
4569



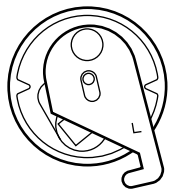
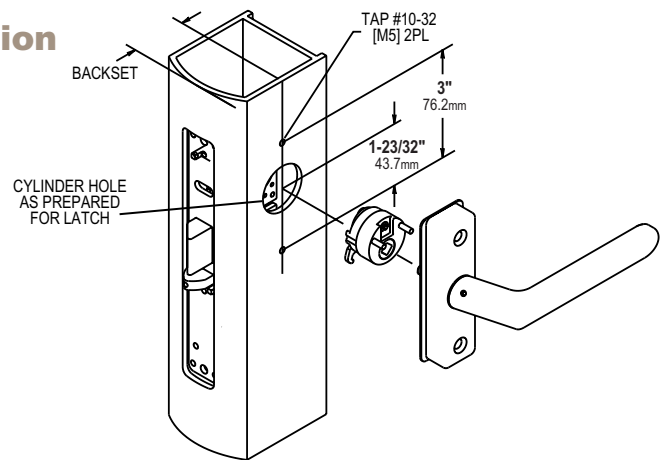
Narrow Stile Preparation



Wood Door Preparation



Installation



REVERSIBLE 4580 CAM DISC

- Included with 4568 & 4569 handles.
- Required to operate 4500 / 4900 / existing 4700 series latches

HOW TO ORDER 4568, 4569 EUROSTYLE DEADLATCH HANDLES

Specify quantity and the following information. Order related products separately.

PRODUCT NO.	LEVER TYPE	HANDING	DOOR THICKNESS		FINISH
456	8	-5	01		-130
	8 Straight	0 Using MS+1890	For 4300, 4500, 4900 Series Deadlatches	For MS+1890	119 To match 335 Black Anodized
	9 Return End	5 LH or LHR	01 1-3/4" to 2"	11 1-3/4" to 1-15/16"	121 To match 313 Dark Bronze Anodized
		6 RH or RHR	02 2-1/4" to 2-1/2"	12 2" to 2-1/4"	130 To match 628 Clear Anodized
			03 2-3/4" to 3"	13 2-5/16" to 2-3/4"	
			04 3-1/4"	14 3"	

RELATED PRODUCTS

When purchasing this product, please consider the following related products, available separately:

Accessories

Thick door kits, as required.

COMPATIBLE PRODUCTS

This product is compatible with the following products:

Deadlatches

- 4300 eLatch Electrified Deadlatch
- 4500 Series Standard Duty Deadlatch
- 4900 Series Heavy Duty Deadlatch

4590 Deadlatch Paddle

The 4590 Deadlatch Paddle is an ergonomically-friendly alternative to a knob or lever handle. Operate with a simple push or pull.

Function

An alternative to knob or lever handles. Makes opening a latched door as natural as opening an unlatched one – just push or pull in the direction the door swings. Available for any Adams Rite 4300, 4500 or 4900 Series Deadlatch, MS+1890 Deadlock/Latch, or 2190/2290 Interconnected Deadbolt/Deadlatch.

Operation

Available in four configurations: push to left, push to right, pull to left, and pull to right.

Specifications

PADDLE

- Extruded aluminum, 628 Clear Anodized finish (US28). 313 Dark Bronze Anodized and 335 Black Anodized are also available.

ESCUTCHEON

- Zinc alloy with black finish. Houses steel operating mechanism. Secured to door stile with special binder posts that extend into the escutcheon to rigidly resist torque loads in any direction.

CAM PLUG

- Furnished for use with 4300, 4500 and 4900 Series Deadlatches. Cam plug not for use with MS+1890 Deadlock/Latch or 2190/2290 Interconnected Deadbolt/Deadlatch. Secured in latch body by cylinder setscrew, plug is also rigidly tied to escutcheon by hardened steel pins.

OPTIONS

- First dash number specified operation (handing) and compatible latch. Second dash number can be used to specify non-standard units for doors thicker than 1-3/4" (see dash table on back of page).

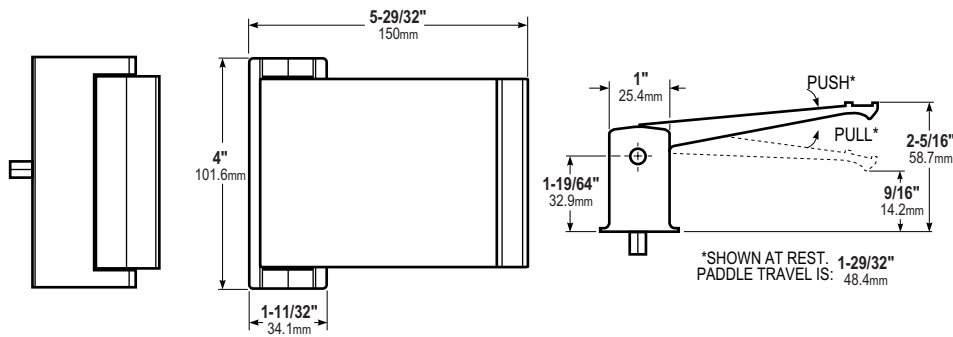
STANDARD PACKAGE

- Individually boxed with mounting hardware. Units for 4300, 4500 or 4900 Series Deadlatches include cam plug. Shipping weight: 1-1/2 lb.



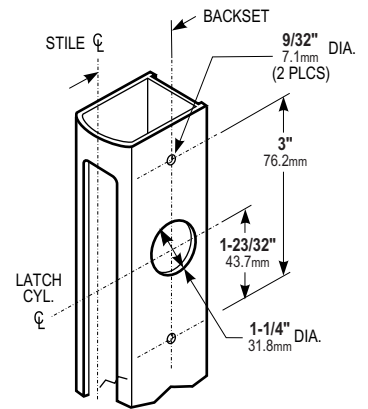
All measurements are approximate and are provided for informational purposes only. Refer to the product Installation Instructions.

Dimensions

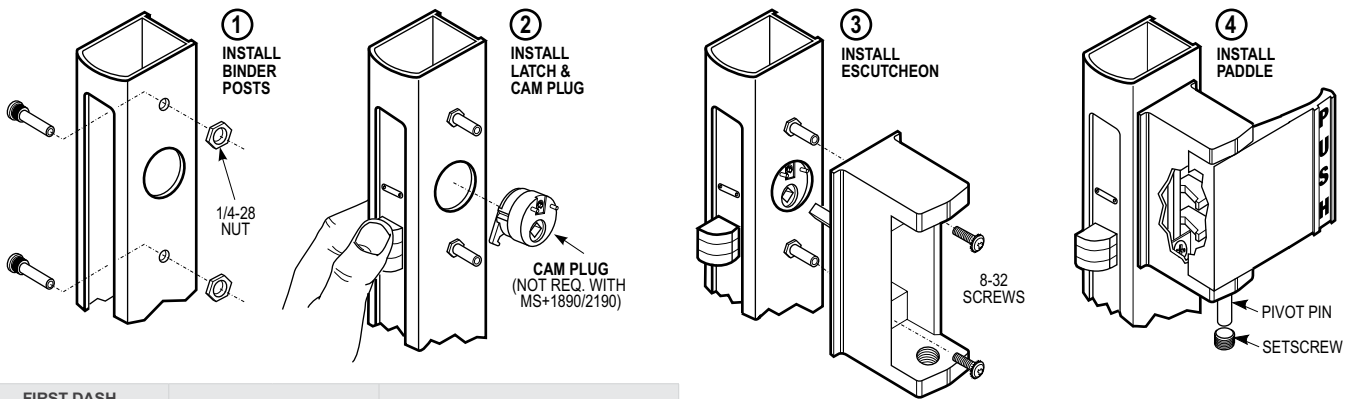


Stile Preparation

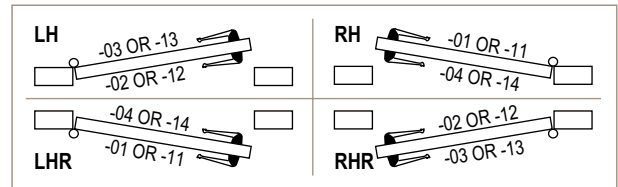
For 4500/4900 latches, see MS+1890/2190 for different hole pattern



Installation



FIRST DASH FOR LATCH SERIES	OPERATION	USE
-01 4300/4500/4900	PULL TO LEFT	Outside of left hand reverse door or inside of right hand
-11 MS+1890/2190		
-02 4300/4500/4900	PUSH TO LEFT	Outside of left hand door or inside of right hand reverse
-12 MS+1890/2190		
-03 4300/4500/4900	PULL TO RIGHT	Outside of right hand reverse door or inside or left hand
-13 MS+1890/2190		
-04 4300/4500/4900	PUSH TO RIGHT	Outside of right hand door or inside of left hand reverse
-14 MS+1890/2190		



HOW TO ORDER 4590 DEADLATCH PADDLE

Specify quantity and the following information. Order related products separately.

PRODUCT NO.	OPERATION	DOOR THICKNESS		FINISH*
4590	02	-00		-313
	See table above	For 4300, 4500, 4900 Series Deadlatches	For MS+1890, 2190	313 Dark Bronze Anodized
		00 1-3/4"	03 2-3/4" to 3"	00 1-3/4"
		01 1-13/16" to 2"	04 3-1/4"	02 2-5/16" to 2-1/2"
		02 2-1/4" to 2-1/2"		03 2-9/16" to 2-3/4"
				335 Black Anodized
				628 Clear Anodized

*Paddle only

COMPATIBLE PRODUCTS

This product is compatible with the following products:

Deadlocks

- MS+1890 Deadlock/Latch
- 2190/2290 Interconnected Deadbolt/Deadlatch

Deadlatches

- 4300 eLatch Electrified Deadlatch
- 4500 Series Standard Duty Deadlatch
- 4900 Series Heavy Duty Deadlatch

4591 Deadlatch Paddle

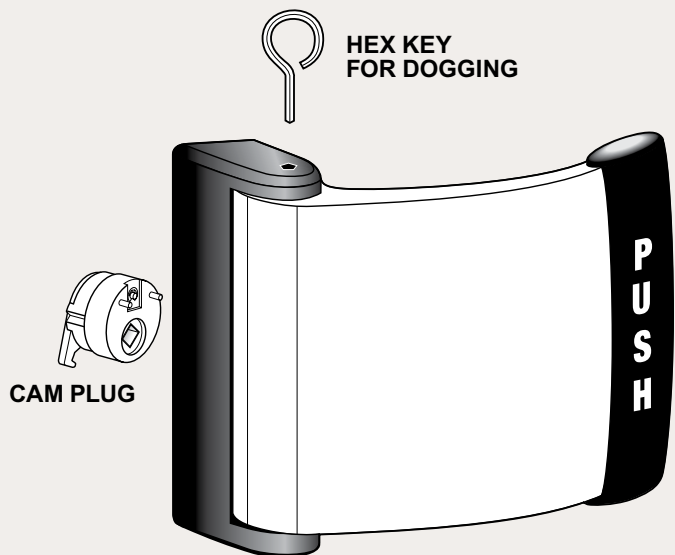
The 4591 Deadlatch Paddle is an ergonomically-friendly alternative to a knob or lever handle. Operate with a simple push or pull.

Function

An alternative to knob or lever handles. Makes opening a latched door as natural as opening an unlatched one – just push or pull in the direction the door swings. Available for any Adams Rite 4300, 4500 or 4900 Series Deadlatch, MS+1890 Deadlock/Latch, or 2190/2290 Interconnected Deadbolt/Deadlatch.

Operation

Available in four configurations: push to left, push to right, pull to left, and pull to right. Can be reconfigured to any mode in the field. Dogging not to be installed in pull configuration.



Specifications

PADDLE

- Extruded aluminum, 628 Clear Anodized finish (US28). 313 Dark Bronze Anodized and 335 Black Anodized are also available. US3 Bright Brass, US26 Bright Chrome, or US26D Satin Chrome plating is also available.

ESCUTCHEON

- Zinc alloy with Black finish. Houses steel operating mechanism. Secured to door stile with special binder posts that extend into the escutcheon to rigidly resist torque loads in any direction.

CAM PLUG

- Furnished for use with 4300, 4500 and 4900 Series Deadlatches. Cam plug not for use with MS+1890 Deadlock/Latch or 2190/2290 Interconnected Deadbolt/Deadlatch. Secured in latch body by cylinder setscrew, plug is also rigidly tied to escutcheon by hardened steel pins.

MONITOR SWITCH OPTIONS

4591M

- Paddle without latch drive mechanism but with switch that can be wired to make or break a low voltage circuit.

4591MA

- Paddle with latch drive mechanism, complete active paddle with switch.

91-0914 MONITOR SWITCH KIT

- Adds monitor switch function to 4591 Paddle ("push" version only).

PADDLE DOGGING ("PUSH" VERSIONS ONLY)

- Turning hex key in escutcheon holds the paddle down, leaving door free-swinging. Dogging key provided.

OPTIONS

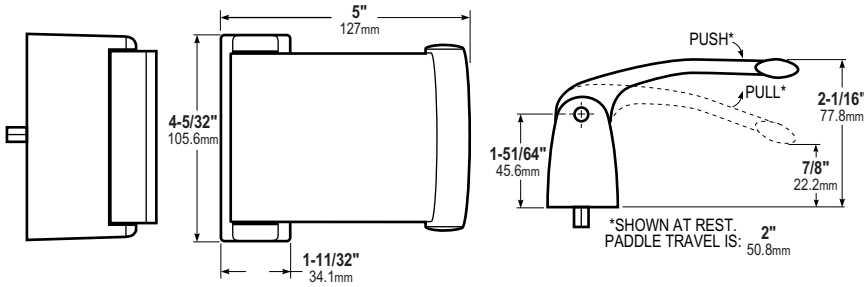
- First dash number specifies operation (handing) and compatible latch. Second dash number can be used to specify non-standard units for doors thicker than 1-3/4" (see dash table on back of page). Also available: 4591M Paddle/switch to actuate magnetic lock, alarm, etc. (No latch retracting mechanism). 4591MA Active Paddle with switch and latch retracting mechanism. 4781 Two-Point Deadlatch uses a modified, but matching version of the 4591 Paddle.

STANDARD PACKAGE

- Individually boxed with dogging hex key and mounting hardware. Units for 4300, 4500 or 4900 Series Deadlatches include cam plug. Shipping weight: 1-1/2 lbs.

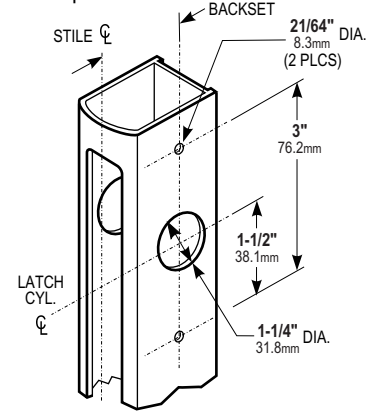
All measurements are approximate and are provided for informational purposes only. Refer to the product Installation Instructions.

Dimensions

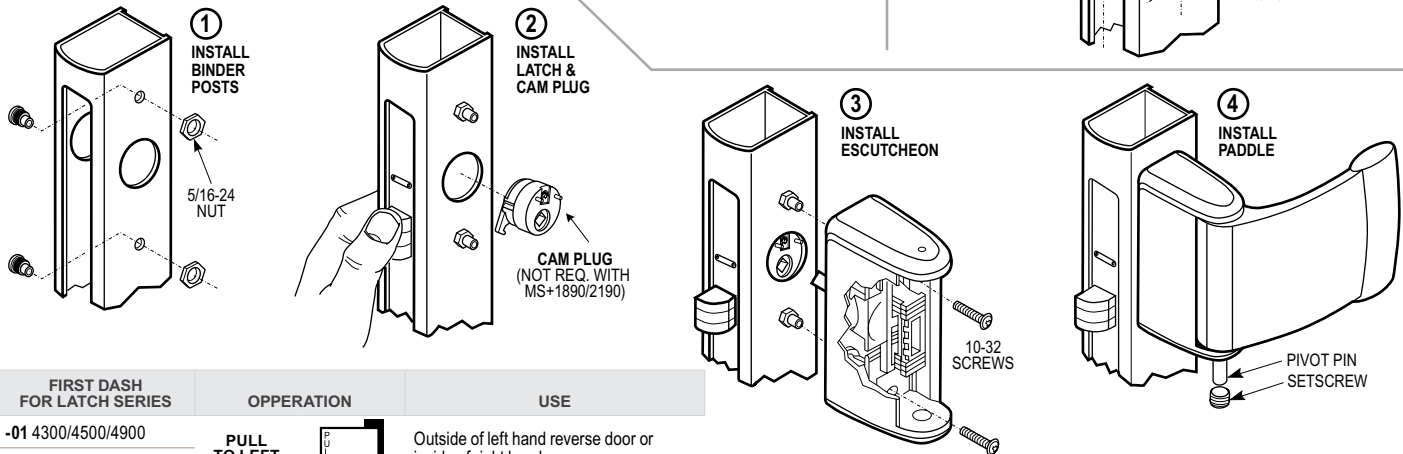


Stile Preparation

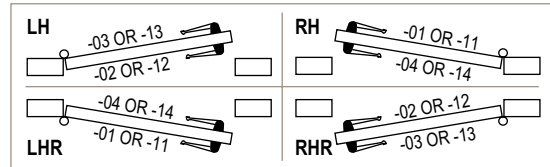
For 4500/4900 latches, see MS+1890/2190 for different hole pattern



Installation



FIRST DASH FOR LATCH SERIES	OPERATION	USE
-01 4300/4500/4900	PULL TO LEFT	Outside of left hand reverse door or inside of right hand
-11 MS+1890/2190		
-02 4300/4500/4900	PUSH TO LEFT	Outside of left hand door or inside of right hand reverse
-12 MS+1890/2190		
-03 4300/4500/4900	PULL TO RIGHT	Outside of right hand reverse door or inside or left hand
-13 MS+1890/2190		
-04 4300/4500/4900	PUSH TO RIGHT	Outside of right hand door or inside of left hand reverse
-14 MS+1890/2190		



HOW TO ORDER 4591 DEADLATCH PADDLE

Specify quantity and the following information. Order related products separately.

PRODUCT NO.	OPTIONS**	OPERATION	DOOR THICKNESS	FINISH*
4591	M	02	-00	-313
	- Standard Paddle	See table above	For 4300, 4500, 4900 Series Deadlatches	313 Dark Bronze Anodized
	M Paddle w/ switch only		00 1-3/4"	335 Black Anodized
	MA Active paddle w/ switch		01 1-13/16" to 2"	628 Clear Anodized
			02 2-1/4" to 2-1/2"	US3 Bright Brass
			03 2-3/4" to 3"	US26 Bright Chrome
			04 3-1/4"	US26D Satin Chrome
			For MS+1890, 2190	
			00 1-3/4"	
			01 1-3/4" to 2-1/4"	
			02 2-5/16" to 2-1/2"	
			03 2-9/16" to 2-3/4"	

* Paddle only. ** M and MA options available on push paddles only, not pull paddles.

RELATED PRODUCTS

When purchasing this product, please consider the following related products, available separately:

Accessories

91-0914 Monitor Switch Kit.

COMPATIBLE PRODUCTS

This product is compatible with the following products:

Deadlocks

MS+1890 Deadlock/Latch
2190/2290 Interconnected Deadbolt/Deadlatch

Deadlatches

4300 eLatch Electrified Deadlatch
4500 Series Standard Duty Deadlatch
4900 Series Heavy Duty Deadlatch

4600 Heavy Duty Designer Deadlatch Handles

The 4600 Heavy Duty Designer Deadlatch Handles are designed with a patented adjustable drive mechanism to operate the 4300, 4500, and 4900 Series Deadlatches and Dual Force 2190/2290 Interconnected Deadbolt/Deadlatch locksets.

Function

Designed to operate 4300, 4500, and 4900 Series Deadlatches with either an upward or downward motion. 4600 Deadlatch Handles can be retrofitted in the field onto the 2190/2290 Interconnected Deadbolt/Deadlatch. Shipped handed, but easily reconfigured to accommodate either door swing (MV and MN handle types cannot be re-handed). The patented adjustable drive mechanism allows the escutcheon to be set back from the door edge at the time of installation to provide additional clearance. Request-to-Exit (REX) switch optional to provide signal when lever is actuated.

Specifications

DESIGN

- Designed to match the clean lines of a narrow stile door, the 4600 Heavy Duty Designer Series Deadlatch Handles combine aesthetics, function, and strength in a compact yet robust package. Offered in a wide range of lever designs and architectural finishes, the 4600 Series Deadlatch Handle complements the most contemporary door systems.

HANDLES

- Available in standard and designer series levers to blend with existing architecture or to create a new design statement. Made from solid cast stainless, brass, or bronze, and finished to match any design requirement. Standard series lever styles (-01, -02, -03) are designed to return within 1/2" of the door face, as required by code in some areas.

ESCUTCHEON

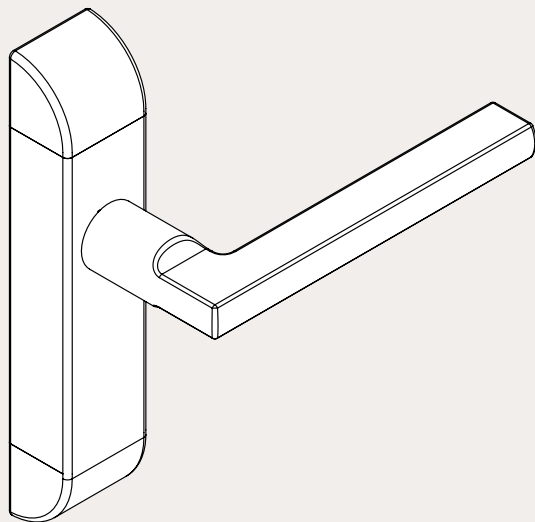
- Mounted base is secured by hidden screws and has two large helical compression springs. A 1/4" square heat-treated spindle is part of escutcheon assembly, which interlocks with the cam plug. Finished to match lever.

OPTIONS

- Can be ordered for left or right hand door, but is easily reconfigured in the field to accommodate either door swing. Standard handles are for 1-3/4" thick doors. Available by special order for doors up to 3-1/4". Fixed lever (dummy) kit available – use part number DTK-4600. Through-bolt mounting kit for back-to-back mounting on wood doors, use part number TBK-4600-XX (specify door thickness).

STANDARD PACKAGE

- Packed individually with cam plug (as needed), fasteners, and optional equipment specified.



STANDARD SERIES:



01-CURVE

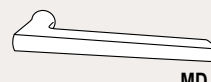


02-ROUND



03-SQUARE

DESIGNER SERIES:



MD



MI



ME



MJ



MG



MN



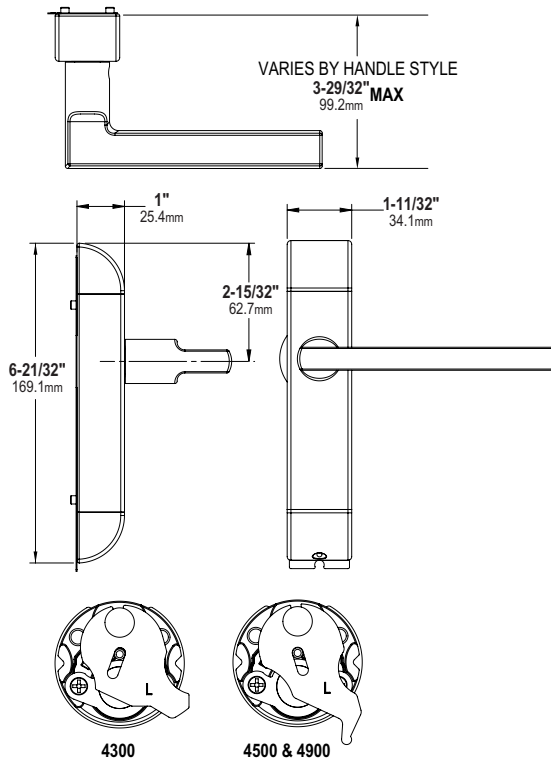
MV



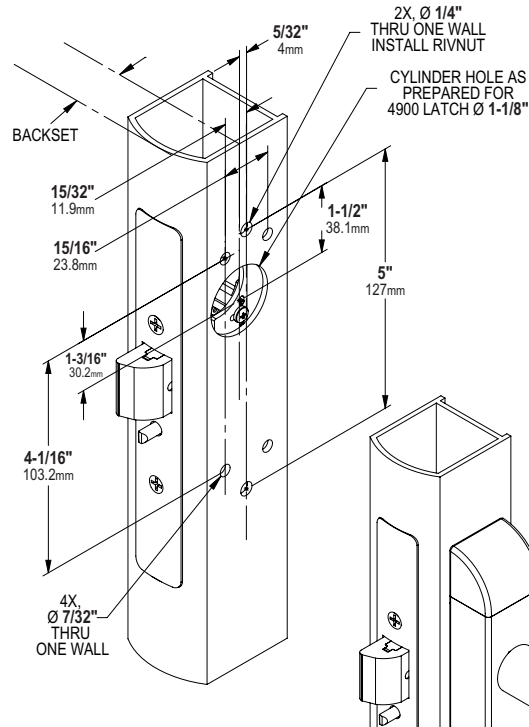
MW

All measurements are approximate and are provided for informational purposes only. Refer to the product Installation Instructions.

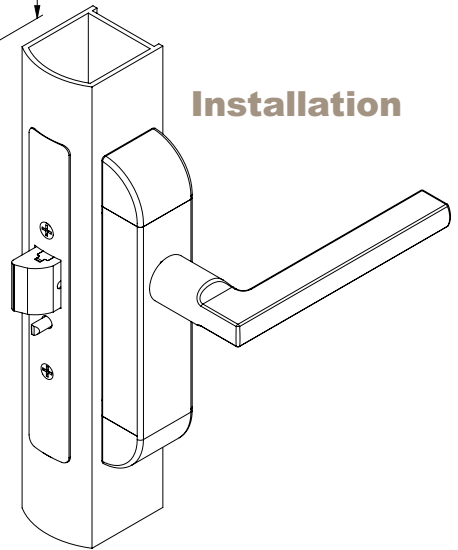
Dimensions



Metal Door Preparation



Installation



CAM PLUG (4581)

- Used when matched with 4300, 4500, or 4900 Series Deadlatches. Secured to the latch body by cylinder setscrew, the cam plug is tied to the handle escutcheon by integral anti-rotation pins. Handing easily reversed with push-and-release cam design.

HOW TO ORDER 4600 HEAVY DUTY DESIGNER DEADLATCH HANDLES

Specify quantity and the following information. Order related products separately.

PRODUCT NO.	REX	HANDLE	HANDING**	DOOR THICKNESS	COMPATIBLE PRODUCTS	FINISH
4600	M	-01	-5	1	1	-32D
	(blank) Standard	Standard Handles	5 LH or LHR	1 1-3/4" to 1-7/8"	1 2190, 2290 Interconnected Deadbolt/Deadlatch 2 4300, 4500, 4900 Series Deadlatches	US3 Bright Brass
	M REX Switch Option	01 Curve	6 RH or RHR	2 2" to 2-1/8"		US4 Satin Brass
		02 Round		3 2-1/4" to 2-3/8"		US10B Oil-Rubbed Bronze
		03 Square		4 2-1/2" to 2-5/8"		US32 Bright Stainless
		Designer Series		5 2-3/4" to 2-7/8"		US32D Satin Stainless
		MD MJ				
		ME MN* (Handed)				
		MG MV* (Handed)				
		MI MW				

*MN and MV Designer Handles are not field reversible

**Assuming handle on interior of door

RELATED PRODUCTS

When purchasing this product, please consider the following related products, available separately:

Accessories

DTK-4600 Fixed Lever (Dummy) Kit.

TBK-4600-XX Thru-Bolt Mounting Kit for back-to-back mounting on wood doors.

REX-4600 Request to Exit switch to indicate when lever is actuated.

TDK-4600-XX Thick Door Kit for doors 2" to 2-7/8".

COMPATIBLE PRODUCTS

This product is compatible with the following products:

Deadlatches

- 4300 eLatch Electrified Deadlatch
- 4500 Series Standard Duty Deadlatch
- 4900 Series Heavy Duty Deadlatch

4024, 4025, 4026 Cylinder Pulls

ANSI/BHMA 156.5-2010 E 19231

The 4024, 4025, 4026 Cylinder Pulls are designed to operate Adams Rite MS1847 Deadlocks and the 5017 Wood Door Deadlock.

Function

Designed for use with Adams Rite MS1847 Deadlocks and 5017 Wood Door Deadlock, these surface mounted pulls allow a sliding glass door to be keyed-in with other types of doors which have key-in-knob or mortise cylinder locks.

4024 Cylinder Pull

The 4024 five pin tumbler cylinder is smaller than the 4025 Cylinder Pull and it is symmetrical, designed for mounting door pull or other trim plate. Can be mounted directly on stile where lock mechanism is mounted on inside surface of stile rather than mortised.

4025 Cylinder Pull

The 4025 five pin tumbler cylinder has mounting holes spaced to allow clearance around MS1847 Deadlock mechanism for long through-the-stile mounting screws.

4026 Cylinder Pull

A five pin tumbler cylinder, the 4026 Cylinder Pull is designed for use with 5017 Wood Door Deadlock for wood door applications.

Specifications

TRIM FINISH

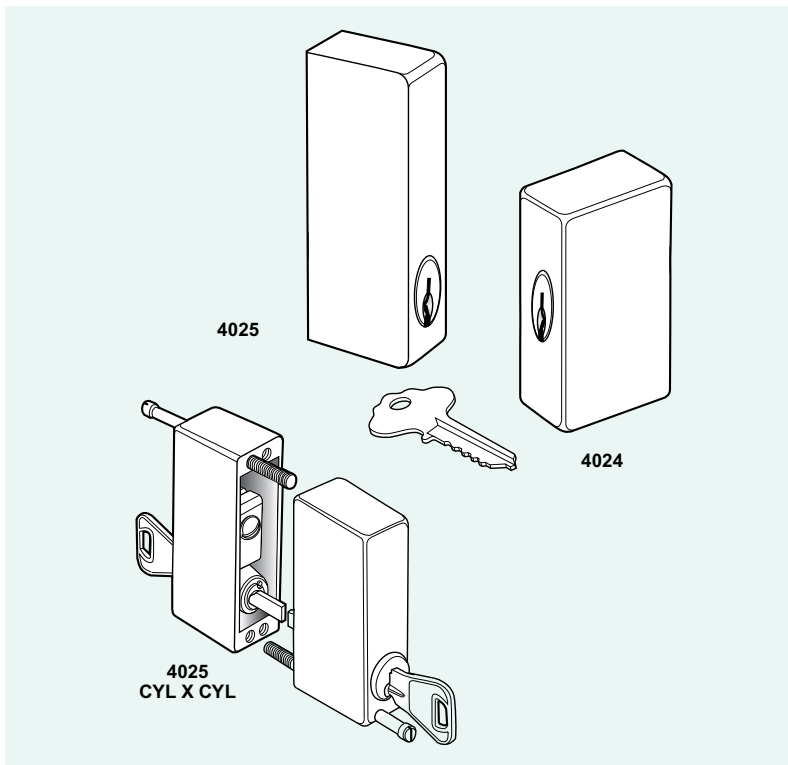
- Zinc alloy housing. Standard finish: 130. Cylinders are brass.

CYLINDER BOTH SIDES

- A pair of 4025 Cylinder Pulls can be mounted opposite each other with long machine screws. Security is maintained since each side offers access to only one screwhead. Both screws would have to be removed to operate the lock without its key. Specify 4025 CYLxCYL set.

OPTIONS

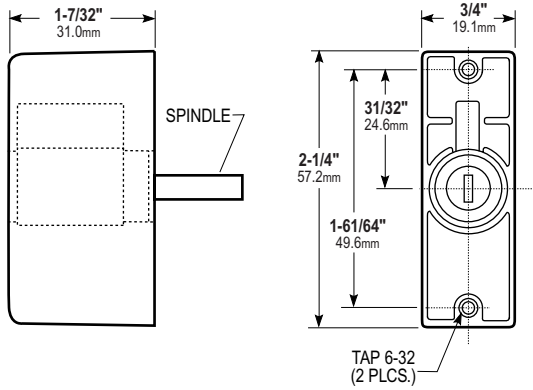
- CYLINDER MAKE: Pulls available with Schlage or Weiser Keyway cylinders.



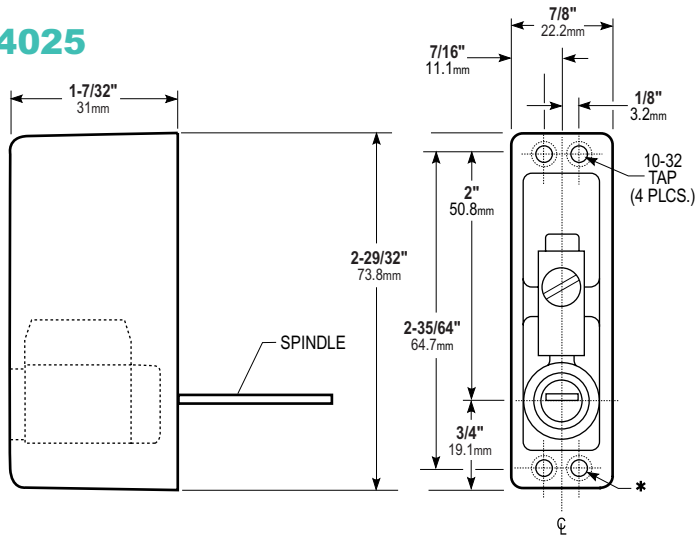
All measurements are approximate and are provided for informational purposes only. Refer to the product Installation Instructions.

Dimensions

4024



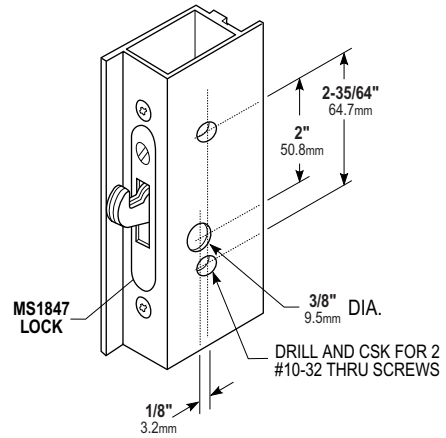
4025



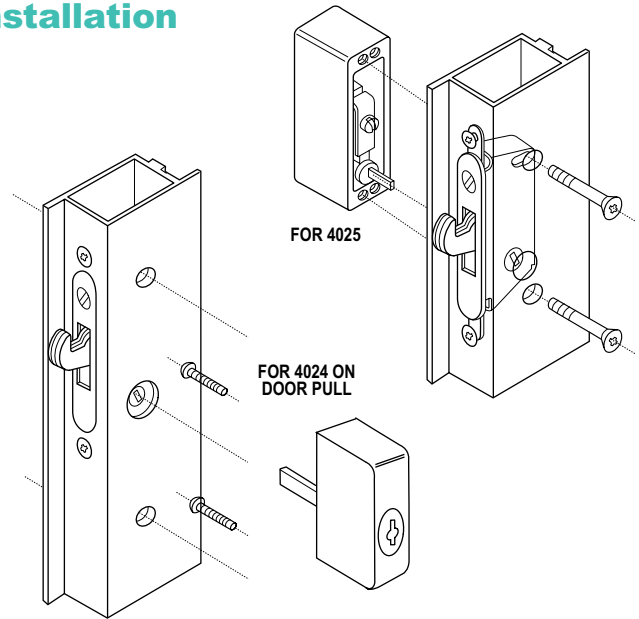
*4026, like 4025 but with mounting holes on centerline for use with 5017 lock available on high quantity order.

Stile Preparation

For 4025 mounted directly on stile by two through-screws.



Installation



HOW TO ORDER 4024, 4025 CYLINDER PULLS

Specify quantity and the following information. Order related products separately.

PULL TYPE	PULL NO./CYLINDER INCLUDED	FINISH
4024	-05	-130
4024 Trim Plate Mounted	05 Schlage "C: Keyway	119 To match 335 Black Anodized
4025 Stile Mounted with through - screws	06 Weiser Keyway	121 To match 313 Dark Bronze Anodized
4026 For Wood Applications		130 To match 628 Clear Anodized

COMPATIBLE PRODUCTS This product is compatible with the following products:

Deadlocks

MS1847 Deadlock.

5017 Wood Door Deadlock (4026 only).

4036 Mortise Cylinder 4066 Thumbturn

ANSI/BHMA 156.5-2010 E 19211

The 4036 Mortise Cylinder provides five-pin security with most Adams Rite locks or latches. The 4066 Thumbturn operates locks or latches without a key.

4036 Mortise Cylinder Function

A standard 1" long, 1-5/32" diameter cylinder with five-pin tumbler security. Designed to operate any Adams Rite lock or latch requiring a mortise cylinder. Close-tolerance manufacture and inspection achieve setscrew grooves and cam that are true on their respective centerlines. This ensures proper mating and operation with the lock or latch mechanism.

4036 Specifications

MORTISE CYLINDER SHELL

- Aluminum scalp with US28 Clear Anodized (628) or 313 (Dark Bronze Anodized) or 335 (Black Anodized). Plug is US26 Chrome (625).

MORTISE CYLINDER KEYING

- Available in keyed-alike pairs (KA2), keyed-different (KD), and keyed-alike sets of 50 (KA50). All cylinders furnished with two keys per cylinder.

MORTISE CYLINDER TRIM RING

- Furnished. 1/4" thick, suitable for 1-3/4" thick doors. Available by special order for other door thicknesses.

4066 Thumbturn Function

To operate lock or latch without key. Interchanges with standard 1-5/32" diameter mortise cylinder. Cams are available to suit the particular Adams Rite lock or latch. (See back for cam specifications.)

4066 Specifications

THUMBTURN SHELL

- Choice of three finishes: 130 to match Clear Anodized, 313 (Dark Bronze Anodized) or 335 (Black Anodized).

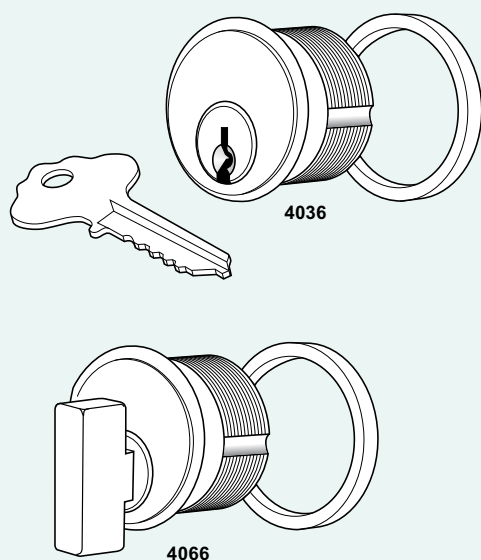
THUMBTURN TRIM RING

- Furnished. 1/4" thick, suitable for 1-3/4" thick doors. Available by special order for other door thicknesses.

Specifications

STANDARD PACKAGE

- Individually packed with trim ring. 4036 also furnished with keys.

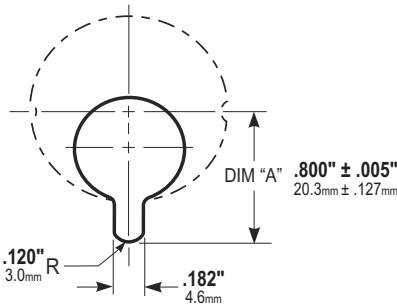


All measurements are approximate and are provided for informational purposes only. Refer to the product Installation Instructions.

Dimensions

-01

DIMENSIONS OF CAM TO OPERATE:



- DEADLOCK SERIES
 - 1830
 - MS1837
 - MS1850S
 - MS1850SN
 - MS1861
 - 1875
 - MS + 1890
 - MS1950
 - 2190
 - 2290
- DEADLATCH SERIES
 - 4300
 - 4510
 - 4530
 - 4900
 - 4920AN
- EXIT DEVICES
 - 8300
 - 8400
 - 8650
- FLUSHBOLTS
 - 1870
 - 1870HM
 - 1877
 - 4781
- TRIM
 - 3080
 - 3090

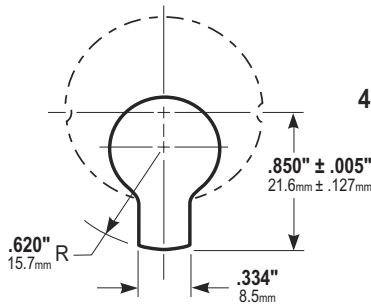
THIS CAM AVAILABLE FROM:
 ADAMS RITE
 ARROW
 ASSA
 BEST
 CORBIN RUSSWIN
 DORMA
 FALCON
 KABA-ILCO
 MEDECO
 SARGENT
 SCHLAGE
 WEISER
 YALE

Cylinders "By Others"

Adams Rite deadlocks and latches are designed to accept standard 1-5/32" mortise cylinders of all popular makes. This means that the entrance can be keyed to match the system used throughout the building on other types of doors. Care must be taken, however, to specify the proper cam for each type of lock, as these are not generally interchangeable. The cam shapes shown below are available from the listed cylinder manufacturers and will be supplied by them with the cylinder when specified or available separately. Because of variations in the attachment of cams to cylinders and other construction differences, it is advisable NOT to attempt using one manufacturer's cylinder with another's cam.

-02

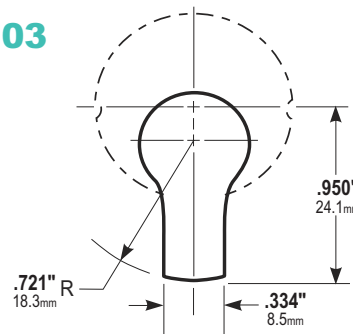
DIMENSIONS OF CAM TO OPERATE: 4070 SERIES DEADBOLT



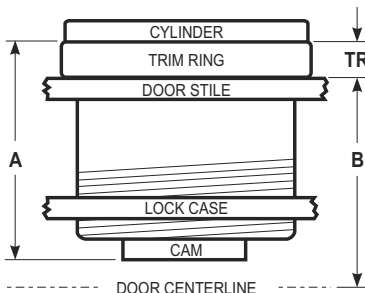
THIS CAM AVAILABLE FROM ABOVE CYLINDER MANUFACTURERS ON SPECIAL ORDER (OR MAKE FROM STANDARD CAM)

-03

DIMENSIONS OF CAM TO OPERATE: 2331 DEADBOLT



THIS CAM AVAILABLE FROM ALL CYLINDER MANUFACTURERS (STANDARD CAM)



CYLINDER TRIM RING FOR NARROW STILES

Narrow stile doors require a trim ring to fill the gap remaining between the cylinder shoulder and stile when a standard mortise cylinder is used. If the security of the hardened steel Adams Rite MS4043 Cylinder Guard is not required, this ring may be simply a length of 1.171 I.D. tubing. Its length varies depending on door thickness or cylinder make and number of pins. The specific length required can be quickly determined by the following formula:

FOR MS® LOCKS: $TR^* = A + .125 - B$ FOR 4500 SERIES LATCHES: $TR^* = A + .132 - B$

*TOLERANCE: ± .060
 FOR 2190 TR* = A - B

"TR" is trim ring length.
 "A" is cylinder height (less shoulder but including cam).
 "B" is one-half of door thickness.

HOW TO ORDER 4036 MORTISE CYLINDER

Specify quantity and the following information. Order related products separately.

PRODUCT NO.	LOCK TYPE	KEY OPTIONS	FINISH
4036	-01	-01	-628
	01 For MS Lock, 4900 Deadlatches, 2190, etc.	01 KD	313 Dark Bronze Anodized
	02 For 4070 Deadlock	02 KA2	335 Black Anodized
	03 For 2331 Deadlock	50 Set 50 keyed alike	628 Clear Anodized

HOW TO ORDER 4066 THUMBTURN

Specify quantity and the following information. Order related products separately.

PRODUCT NO.	LOCK TYPE	FINISH
4066	-01	-130
	01 For MS Lock, 4900 Deadlatches, 2190, etc	130 To match 628 Clear Anodized
	02 For 4070 Deadlock	313 Dark Bronze Anodized
	03 For 2331 Deadlock	335 Black Anodized

DIMENSIONS OF CAM TO OPERATE THE FOLLOWING ADAMS RITE PRODUCTS:

Deadlocks

1830, MS1837, MS1850S(-050), MS1850SN(-050), MS1861, 1875, MS+1890, MS1950(-050), 2190, 2290

Deadlatches

4300, 4510, 4530, 4900, 4920AN

Flushbolts

1870, 1870HM, 1877, 4781 w/8650

Exit Devices

8300, 8400, 8600 w/8650

Trim

3080, 3090

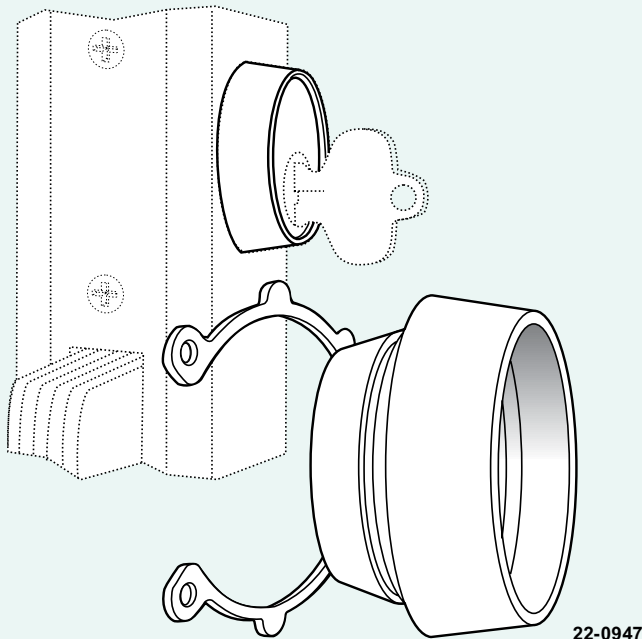
MS4043 Cylinder Guard



The MS4043 Cylinder Guard is a hardened-steel ring to protect cylinder from vandalism.

Function

The standard mortise cylinder is made of brass. It is literally a soft spot in narrow stile door security. Using special pliers, a pipe wrench or other leverage device, a burglar can tear the cylinder out of the door, leaving an opening through which to operate the deadlock. Against this problem, the MS4043 Cylinder Guard offers a three-way defense: 1. The outer shield ring is fully beveled to offer poor purchase for either prying or twisting. 2. This ring is hardened steel so that the combination of shape and hardness make it virtually impossible to grip, even with sharpened tools. 3. In the event that a prying tool such as a cold chisel can be driven into the stile behind the shield ring, the would-be burglar is obliged to pull a heavy steel plate through a round hole in the 1/8" metal door stile. This degree of leverage is far beyond that available with most hand tools.



Specifications

SECURITY RING

- Made of hardened steel. Free-swiveling when properly installed.

RETAINER RING

- Hardened steel, plated for corrosion resistance. Permits security ring to swivel.

TRIM FINISH

- Powdercoat to match 130 (Aluminum Satin), 121 (Dark Bronze), and 119 (Black).

OPTIONS

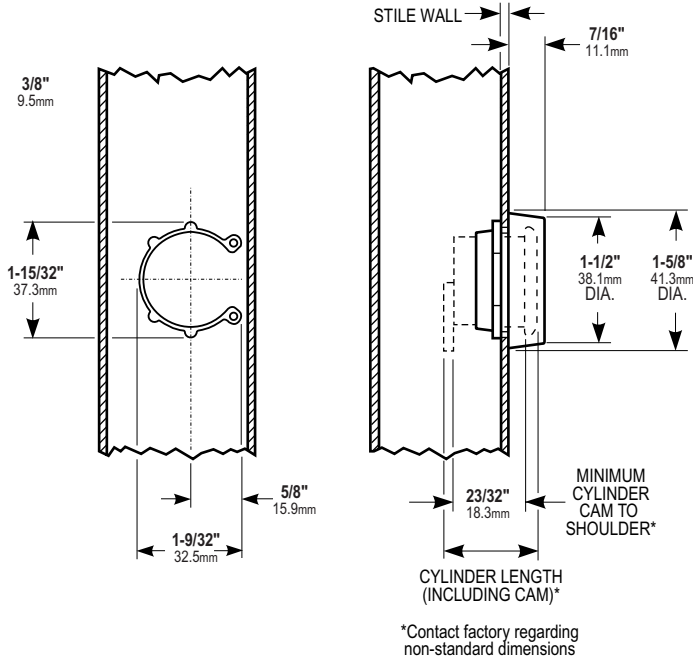
- MS4043 Cylinder Guard fits a standard 1/8" stile wall. For 1/4" thick stile walls, specify MS4043-01.

STANDARD PACKAGE

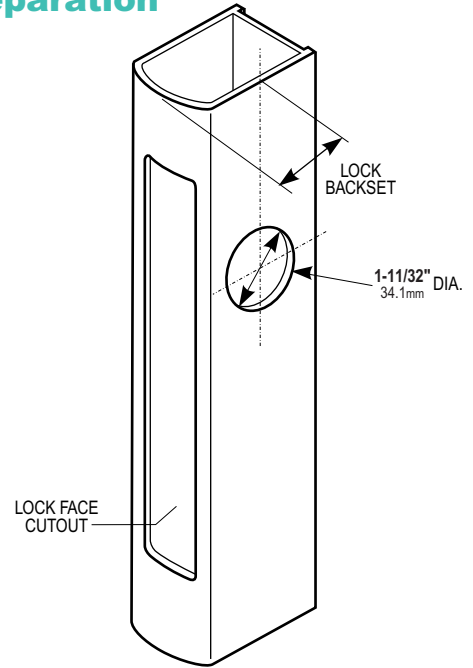
- Individually packaged with spacers for flush fitting in thin stile walls. Cylinders available separately. Shipping weight: 1/8 lb.

All measurements are approximate and are provided for informational purposes only. Refer to the product Installation Instructions.

Dimensions

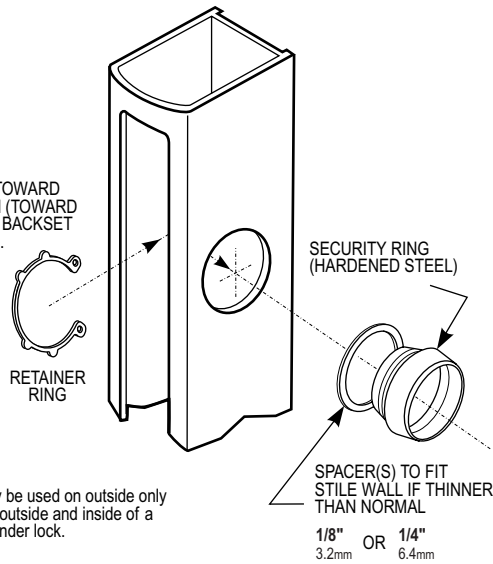


Stile Preparation



Installation

FACE "OPEN" SIDE OF RETAINER TOWARD MINIMUM CLEARANCE DIRECTION (TOWARD NOSE OF DOOR ON 7/8" OR 31/32" BACKSET LOCKS, AWAY ON 1-1/8" BACKSET).



NOTE: Guard may be used on outside only or on both outside and inside of a double-cylinder lock.

MS4043 CYLINDER GUARD

Specify quantity and the following information. Order related products separately.

PRODUCT NO.	STILE WALL & CYLINDER		FINISH
MS4043	-01		-130
	Stile Wall	Cylinder	119 To match 335 Black Anodized
	00 1/8"	5 or 6 pin	121 To match 313 Dark Bronze Anodized
	01 1/4"	5 or 6 pin	130 To match 628 Clear Anodized
	02 1/8"	1.31" to 1.435" long	

COMPATIBLE PRODUCTS

This product is compatible with the following products:

Deadlocks

1830, MS1837, MS1850S(-050), MS1850SN(-050), MS1861, 1875, MS+1890, MS1950(-050), 2190, 2290

Deadlatches

4300, 4510, 4530, 4900, 4920AN

Flushbolts

1870, 1870HM

Exit Devices

8300, 8400

4000 Series MS® Deadlock Strikes



ALUMINUM

HOLLOW
METAL

WOOD

4000 Series MS® Deadlock Strikes add aesthetics and finish to strike cutouts in jambs.

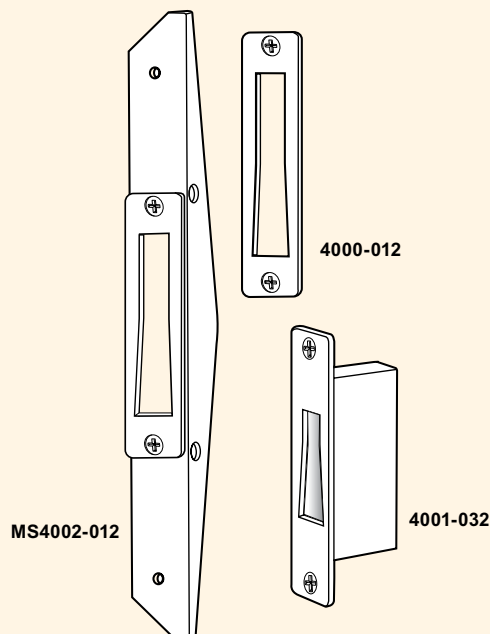
Function

The majority of Adams Rite MS® deadlocks are installed in metal construction where the strike cutout can be simply a slot in the jamb. However, for aesthetic reasons or in the case of the MS4002 for added security, many who specify the MS deadlock add one of these strikes.

Specifications

4000 TRIM STRIKE

- A simple strike plate that can be surface mounted on a wood or metal jamb or mortised flush. Furnished with two #10 flat head machine screws and two #10 flat head wood screws.
- **Material & Finish:** Made of aluminum. Available in US28 (628), clear anodized, 313 dark bronze anodized, and 335 black anodized.



4001 BOX STRIKE

- Same trim plate as 4000, but with dust box added. Customarily used only for wood construction where the dust box prevents chips, sawdust, and other debris from entering strike. Furnished with both wood and machine screws.
- **Material & Finish:** Trim plate is aluminum, box is steel plated for corrosion resistance. Available in US28 (628) clear anodized, 313 dark bronze anodized, and 335 black anodized.

MS4002 ARMORED STRIKE

- Same trim plate as 4000 and 4001, but backed up by a massive steel doubler designed to prevent the method of forced entry known as "jamb peeling". Fits within aluminum or other hollow jamb sections with trim face flush, the steel completely hidden. Available flat or radiused, for pairs of doors*, and to fit all MS® deadlocks, including the hookbolt version in sliding doors (hookbolt use dictates door/jamb gap of 1/8" or less). Unhanded, may be used with RH or LH swinging or sliding doors.

*Can be used with two-point and three-point MS locks.

- **Material & Finish:** Trim plate is aluminum. Reinforcement doubler is steel plated for corrosion resistance. Available in US28 (628), clear anodized, 313 dark bronze anodized, and 335 black anodized.

4003 ANSI STRIKE

- The 4003 strike is designed for ANSI applications for use with the MS1850SN Deadlock.
- **Material & Finish:** Trim plate is stainless steel. Available in 605 bright brass, 626 satin chrome and 119 black and 121 dark bronze.

4005 THRESHOLD STRIKE

- The 4005 Threshold Strike is designed for a drop-bolt such as 4015 Threshold Bolt or 4016 Header Bolt in non-metal installations such as wood or concrete.
- **Material & Finish:** Trim plate is stainless steel. Available in 630 satin stainless steel.

4006 FLOOR STRIKE

- Similar to 4001 Box Strike, the 4006 Floor Strike is a trim plate with dust box added for strike slot cut into metal thresholds. Designed for use with the 1830 Bottom Rail Deadlock.
- **Material & Finish:** Trim plate is stainless steel. Available in 630 satin stainless steel, 119 black and 121 dark bronze.

OPTIONS

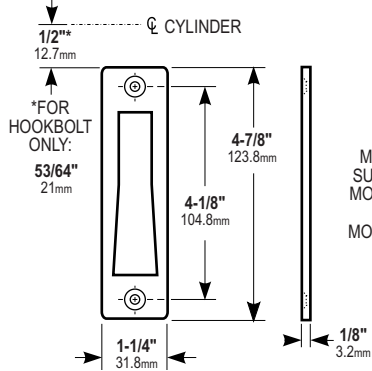
- Specify flat or radius shape of trim plate, round or square corners and lock compatibility when ordering. 4003-01 ANSI-dimensional lipped strike also available for MS1850SN Deadbolt.

All measurements are approximate and are provided for informational purposes only. Refer to the product Installation Instructions.

Dimensions

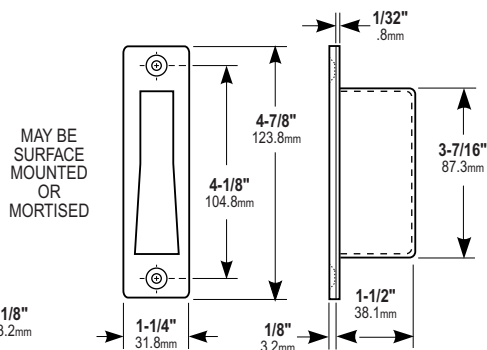
4000 Trim Strike

Strike plate only

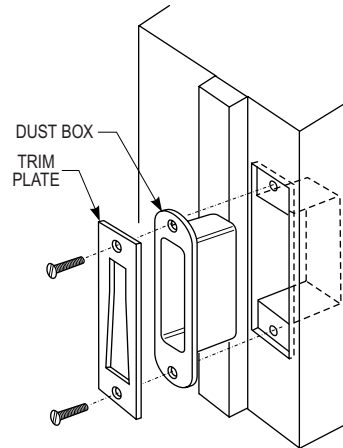


4001 Box Strike

Strike plate with dust box

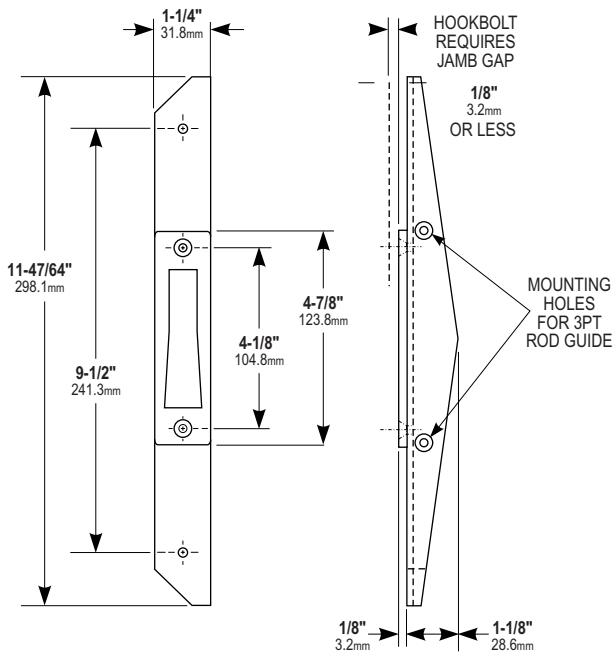


Mortise Jamb Installation

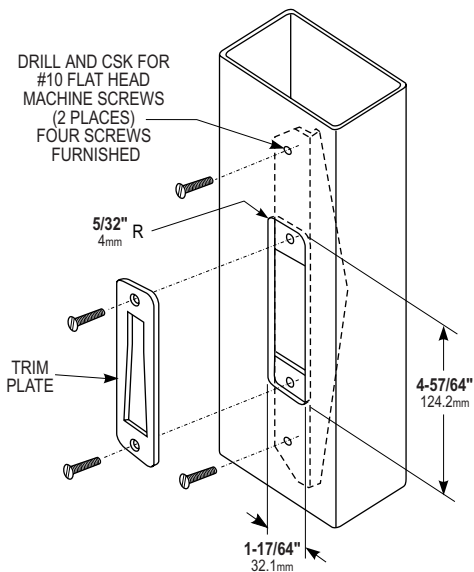


MS4002 Armored Strike

Strike plate with Reinforcement



Hollow Channel Jamb Preparation



HOW TO ORDER 4000, 4001, MS4002 DEADBOLT STRIKES

Specify quantity and the following information. Order related products separately.

STRIKE MODEL	TRIM PLATE SHAPE	COMPATIBLE DEADLOCK	TRIM PLATE CORNERS	FINISH
4001	-0	1	1	-313
4000 Trim Strike	0 Flat	1 All Standard MS® locks with 1-3/8" Bolt Throw	1 Square	313 Dark Bronze Anodized
4001 Box Strike	1 Radius	2 1850A-020 with 3/4" Bolt Throw Only	2 Round	335 Black Anodized
MS4002 Armored Strike		3 All MS-050 "Hookbolt" locks		628 Clear Anodized

COMPATIBLE PRODUCTS This product is compatible with the following products:

Deadlocks

Most Adams Rite Deadlocks

4015 Threshold Bolt



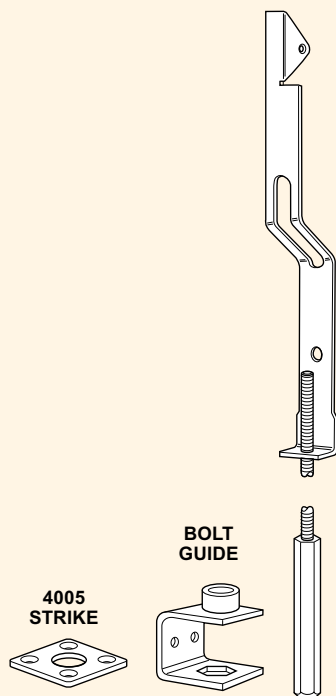
ALUMINUM

GRADE 1
E8241

4015 Threshold Bolt is a two-point lock that easily secures a double door entrance.

Function

Adding the 4015 Threshold Bolt to a pivoted bolt MS® deadlock allows Maximum Security for pairs of doors by the turn of a single key. Simultaneously dropping a stainless steel hexbolt into the threshold and pivoting the massive MS® bolt into the mating door's stile, the two-point lock secures the entire double door entrance. The 4015 threshold bolt is harnessed to the rear of the pivoted bolt. It may be added to any basic MS1850S or MS1850SN deadbolt.



Operation

360° turn of key or thumbturn in basic MS® deadlock throws counterbalanced bolt into opposite door and drop-bolt into threshold. Key can be removed only when bolts are in a positively locked or unlocked position.

Specifications

CYLINDER HEIGHT

- Standard threshold bolt rod is sufficient for cylinder height up to 53-7/16". It is fully threaded and can be cut off for low cylinder heights. Also available to volume users, cut and threaded only for specific cylinder heights.

ADJUSTMENT

- Exact adjustment of threaded rod to cylinder heights is locked in place by hexagonal threshold bolt

STRIKE

- For drop-bolt, a 1/2" diameter hold in metal threshold is suitable. For non-metal installation, 4005 strike is available.

THRESHOLD BOLT

- Hexagonal 3/8" flat to flat. Made of stainless steel.

OPTIONS

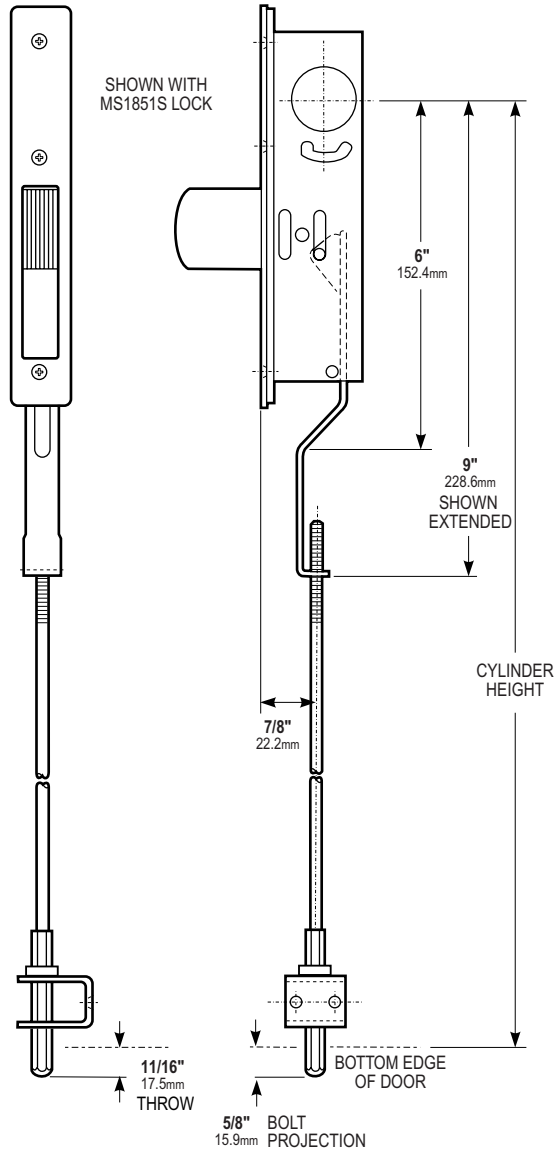
- For "universal" application, specify 4015-18 with fully threaded rod for cut off to any cylinder heights below 53". For greater height or precut rod for high volume use, specify exact cylinder height.

STANDARD PACKAGE

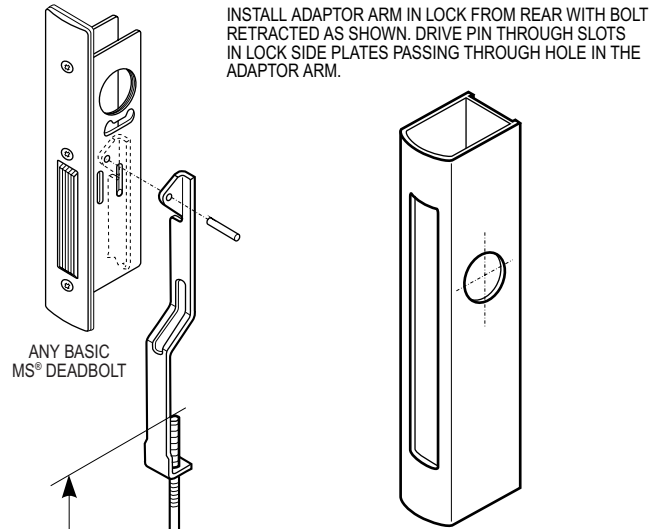
- Packed separately with bolt guide, screws, and attachment pin. Shipping weight: 1lb.

All measurements are approximate and are provided for informational purposes only. Refer to the product Installation Instructions.

Dimensions



Installation

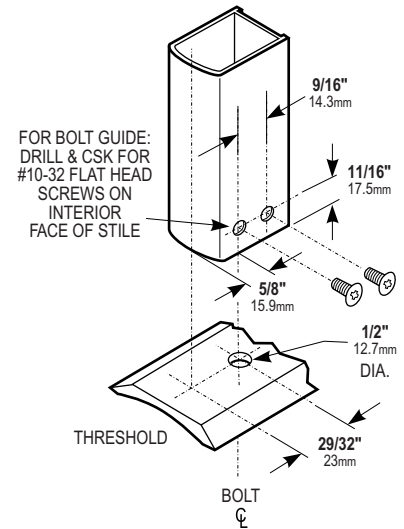


ROD/BOLT LENGTH MUST BE APPROX. 7" 177.8mm LESS THAN CYLINDER HEIGHT

CUT OFF TO SUIT LOW CYLINDER HEIGHTS

Stile Preparation

SEE BASIC MS® DEADLOCKS MS1850S, MS1850SN, MS1950, MS1950-050



HOW TO ORDER 4015 THRESHOLD BOLT

Specify quantity and the following information. Order related products separately.

	ADD DASH NUMBER FOR "UNIVERSAL SIZE"	PACKAGING
4015	-18	-IB
		IB Individually Boxed

If ordering in volume quantity for specific cylinder height, specify CYLINDER HEIGHT.

RELATED PRODUCTS

When purchasing this product, please consider the following related products, available separately:

Accessories

4016 Header Bolt, 4085 Header Bolt.

COMPATIBLE PRODUCTS

This product is compatible with the following products:

Deadlocks

MS1850S(-050), MS1850SN(-050), MS1950(-050)

4016 Header Bolt



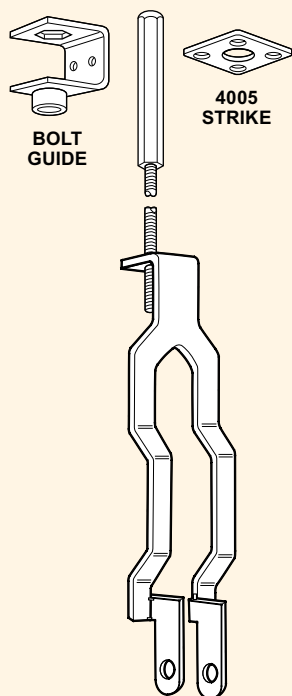
ALUMINUM

GRADE 1
E82111

Security for pairs of doors with single key turning is possible with the 4016 Header Bolt. The three-point lock easily secures the entire double door entrance when working in conjunction with an MS® Deadlock.

Function

Adding the 4016 Header Bolt and the 4015 Threshold Bolt to a pivoted bolt MS® deadlock allows Maximum Security for pairs of doors by the turn of a single key. Simultaneously extending the stainless steel hexbolts top and bottom and pivoting the massive MS® bolt into the mating stile, the three-point lock secures the entire double door entrance. The 4016 Header Bolt can be added to any basic MS1850S, MS1850SN, MS1950 or for two-points top and bottom use with 1870/1870HM Cylinder-Operated Flushbolt. Not applicable to 7/8" backset locks.



Operation

360° turn of key or thumbturn in basic MS® deadlock throws counterbalanced bolt into opposite door and hexagonal bolt into header strike. Key can be removed only when bolts are in a positively locked or unlocked position.

Specifications

DOOR/CYLINDER HEIGHT

- The standard version is designed for a 7' door height with cylinder height as low as 35". Added extension for up to a 10' door available when ordering.

HEADER BOLT

- Hexagonal 3/8" flat to flat. Made of stainless steel.

ADJUSTMENT

- Exact adjustment of threaded rod to door height is locked in place by hexagonal header bolt.

STRIKE

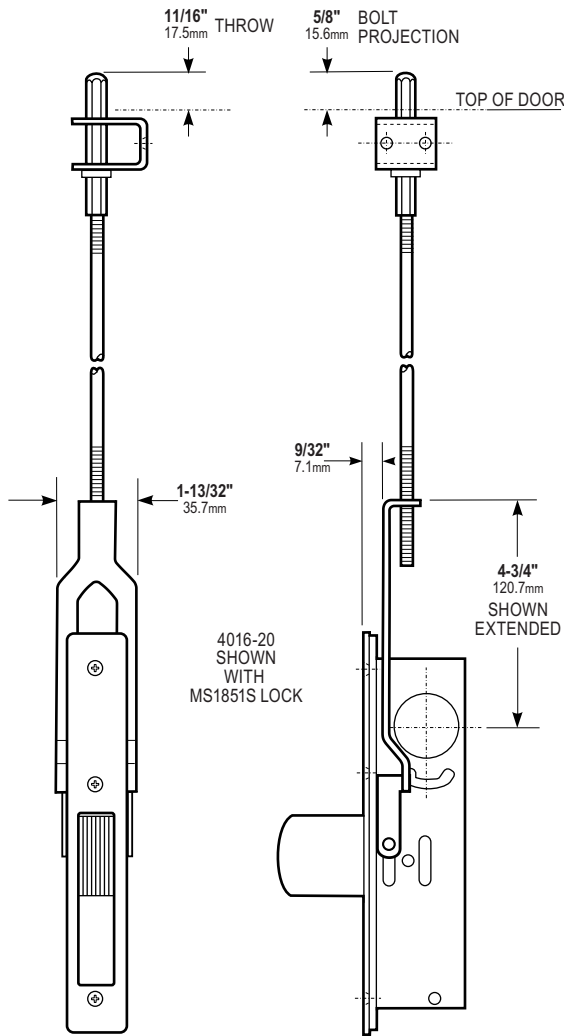
- For header bolt, a 1/2" diameter hole in metal frame is suitable or, for non-metal installation, 4005 strike is available.

STANDARD PACKAGE

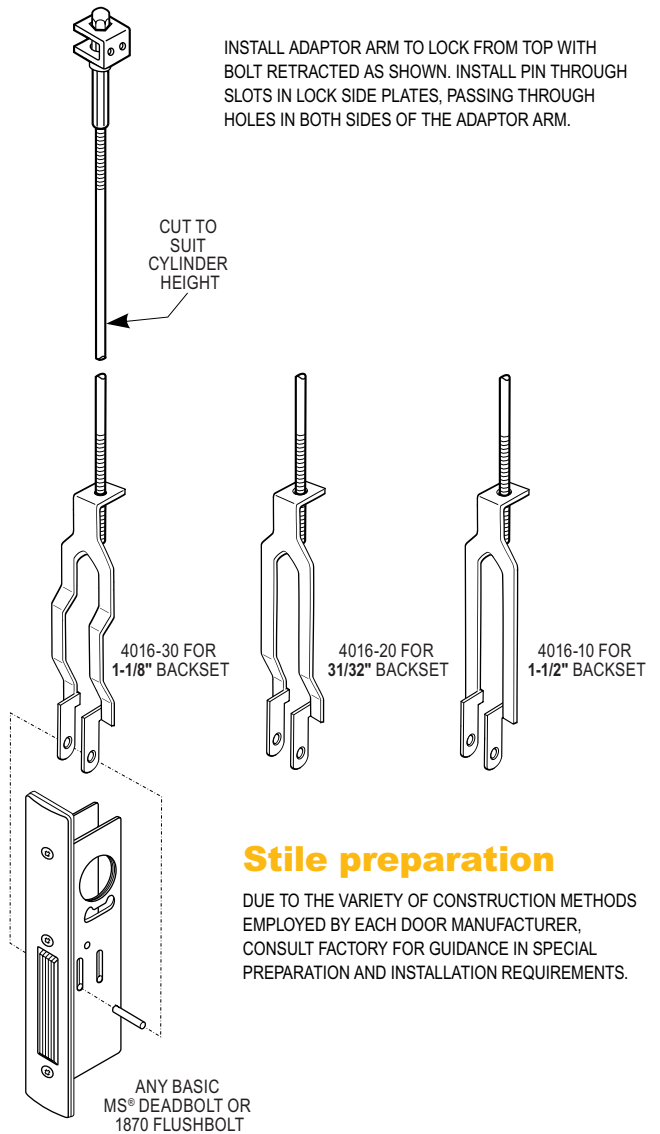
- Packed separately with bolt guide, screws, and attachment pin. Shipping weight: 1 lb.

All measurements are approximate and are provided for informational purposes only. Refer to the product Installation Instructions.

Dimensions



Installation



4016 HEADER BOLT

Specify quantity and the following information. Order related products separately.

	LOCK BACKSET	DOOR HEIGHT
4016	-30	-01
	10 1-1/2"	01 7' Door
	20 31/32"	02 10' Door
	30 1-1/8"	

RELATED PRODUCTS

When purchasing this product, please consider the following related products, available separately:

Accessories

4015 Threshold Bolt, 4085 Header Bolt.

COMPATIBLE PRODUCTS

This product is compatible with the following products:

Deadlocks

MS1850S(-050), MS1850SN(-050), MS1950(-050)
Not applicable to 7/8" backset locks.

Flushbolts

1870, 1870HM Cylinder-Operated Flushbolt.
Not applicable to 7/8" backset locks.

4085 Header Bolt

(Pairs of Doors Only)



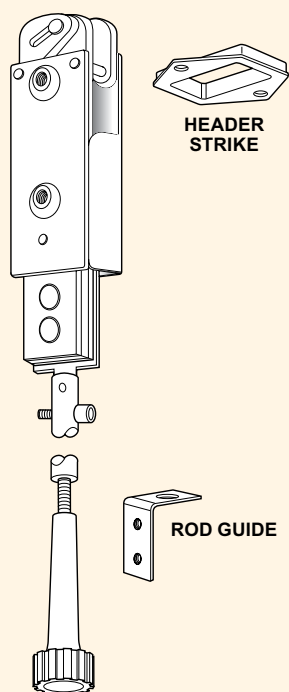
ALUMINUM

GRADE 1
E8261

Top-of-Door third locking point for pairs of doors when working in conjunction with an MS® pivoted bolt deadlock and 4015 Threshold Bolt in the active leaf.

Function

Designed to add a top-of-door third locking point for pairs of doors with an MS® pivoted bolt deadlock and 4015 Threshold bolt in the active leaf. The 4085 Header Bolt is mounted in the inactive leaf. This additional bolt, triggered by the pivoted MS® bolt, expands in a "scissors" action to center itself in its strike as it rises. This action saves the key holder from the difficulty of lining up the doors with three separate strikes, even if doors are misaligned due to faulty installation or settling. The three-point features may be added to any basic MS1850S/MS1850SN or MS1950 deadbolt.



Operation

360° turn of key or thumbturn in basic MS® deadlock throws counterbalanced bolt into opposite door, kicking positioner bolt into header strike. Positioner bolt may be manually thrown before closing active leaf to reduce effort on key-bow. Key can be removed only when bolts are in a positively locked or unlocked position.

Specifications

HEADER BOLT

- 1/2" x 1-1/2" expanding bolt with 5/8" throw. Housed in 1-1/2" x 2-3/4" x 5/8" case.

ADJUSTMENT

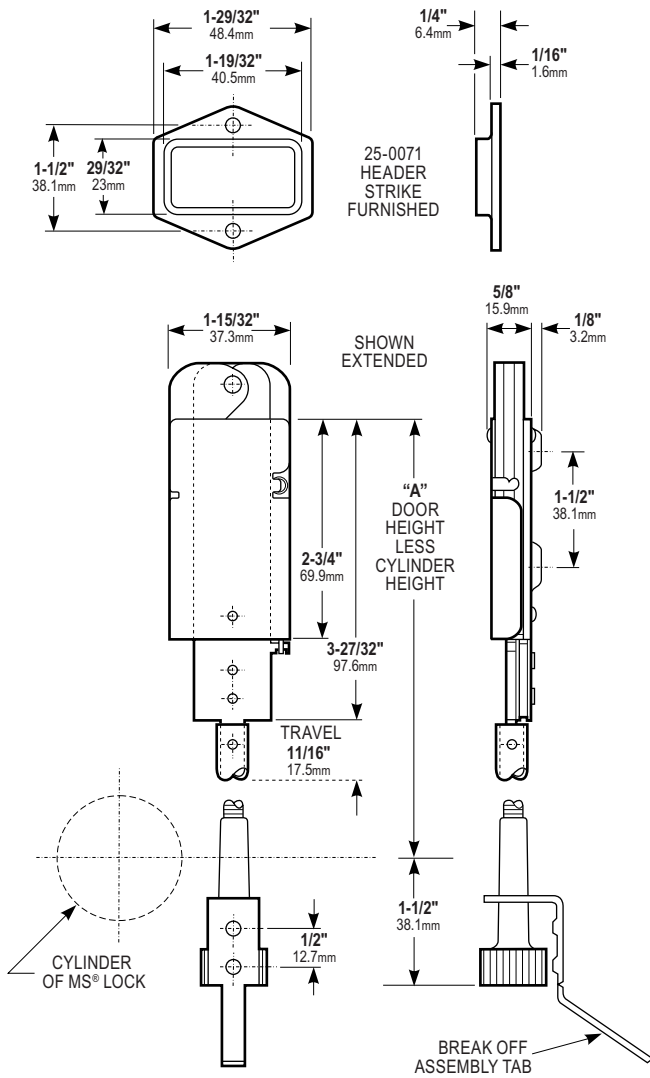
- Minor adjustment of rod length is accomplished by turning nylon rod end.

STANDARD PACKAGE

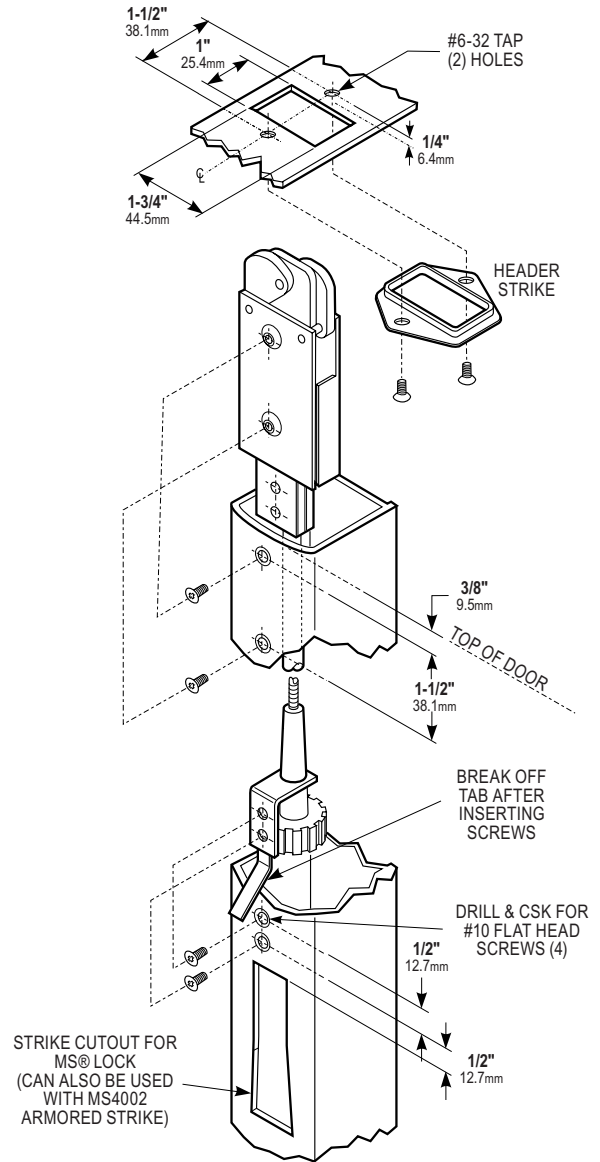
- Packed separately with rod guide, screws, and header strike. Shipping weight: 1 lb.

All measurements are approximate and are provided for informational purposes only. Refer to the product Installation Instructions.

Dimensions



Header Preparation for Strike



4085 HEADER BOLT

Specify quantity and the following information. Order related products separately.

	DIMENSION 'A'	PACKAGING
4085	-02	-IB
	01 30" - 52"	IB Individually Boxed
	02 52" - 67"	
	03 67" - 79"	
	04 79" - 92"	

example			
Door Height		Cylinder Height	A
96"	-	40"	= 56"

Reference:

- 7' Door is 84"
- 8' Door is 96"
- 9' Door is 108"
- 10' Door is 120"

RELATED PRODUCTS

When purchasing this product, please consider the following related products, available separately:

Accessories

4015 Threshold Bolt.

COMPATIBLE PRODUCTS

This product is compatible with the following products:

Deadlocks

MS1850S(-050), MS1850SN(-050), MS1950(-050).

Not applicable to 7/8" backset locks.

4089 Exit Indicator



ALUMINUM

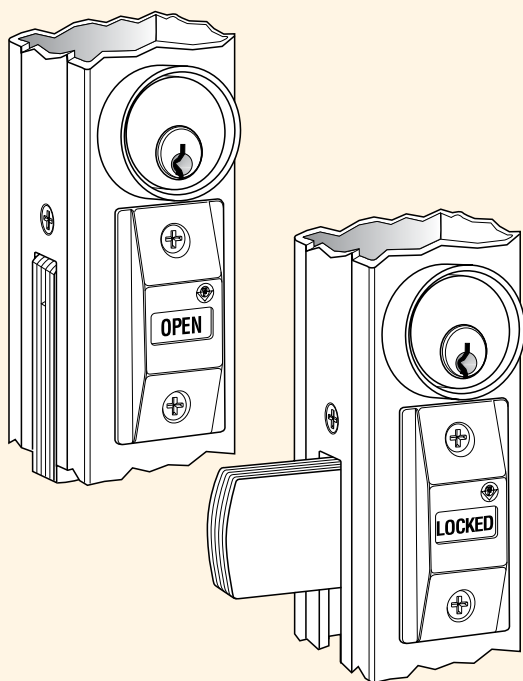
HOLLOW
METAL

WOOD

The 4089 Exit Indicator provides exit door notification for various Adams Rite deadlocks.

Function

Provides unmistakable notification of an exit door's "locked" or "open" condition. Under many local building safety codes, this allows the use, in certain occupancies, of a security deadlock instead of less secure panic devices. It includes two permanent adhesive header signs: "THIS DOOR TO REMAIN UNLOCKED DURING BUSINESS HOURS." (that wording is according to Uniform Building Code). The second sign for NFPA and other local codes reads: "THIS DOOR TO REMAIN UNLOCKED WHEN THE BUILDING IS OCCUPIED."



Specifications

MESSAGE PANEL

- "OPEN" appears in black letters on white background when lock is retracted and "LOCKED" in red letters when actuated. Also available with red (locked) and green (unlocked) wordless panels.

MATERIAL/FINISH

- Indicator escutcheon is zinc alloy with 130 (Satin Aluminum) finish. Also available in 119 satin black and 121 dark bronze. Header sign is clear aluminum match with black letters.

OPTIONS

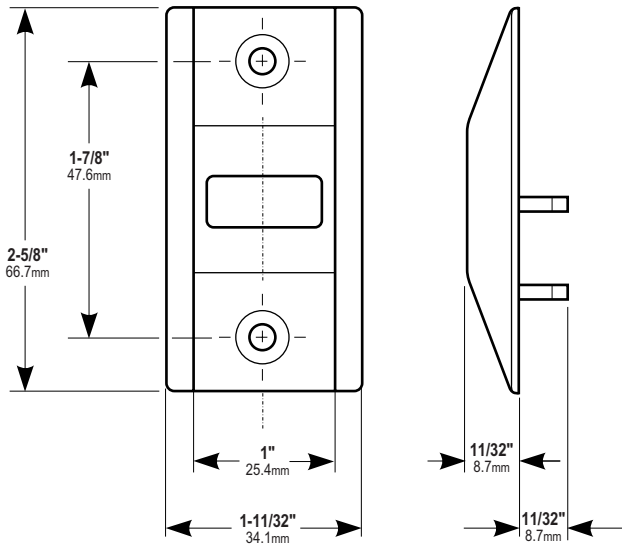
- Standard unit fits 1-3/4" doors. Specify for thicker doors up to 2-1/2".

STANDARD PACKAGE

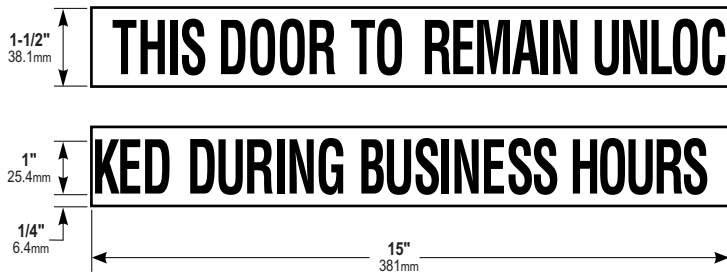
- Shipping weight: 1/2 lb.

All measurements are approximate and are provided for informational purposes only. Refer to the product Installation Instructions.

Dimensions



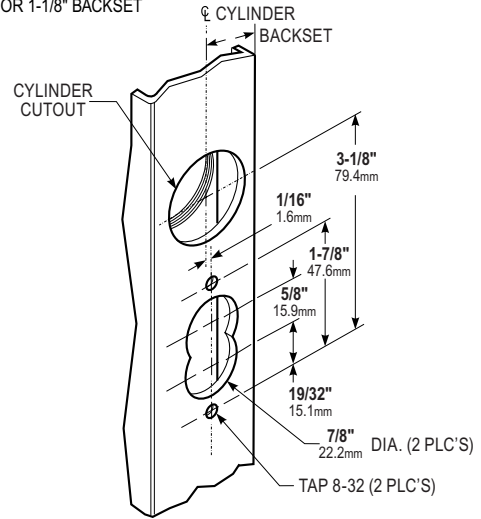
HEADER SIGN - IN TWO PIECES*



*THIS SIGN CORRECT UNDER UNIFORM BUILDING CODE. ALSO INCLUDES NFPA WORDING "THIS DOOR TO REMAIN UNLOCKED WHEN THE BUILDING IS OCCUPIED".

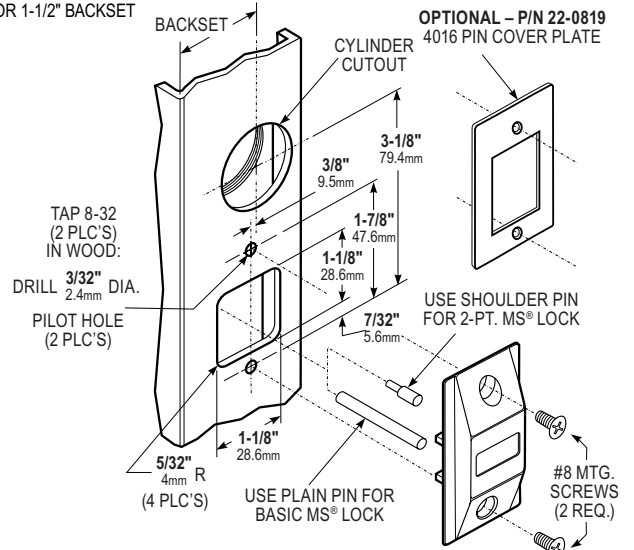
Aluminium Stile Preparation

FOR 31/32" OR 1-1/8" BACKSET



Wood and Hollow Metal Stile Preparation

FOR 1-1/2" BACKSET



4089 EXIT INDICATOR

Specify quantity and the following information. Order related products separately.

	OPTIONS	FINISH
4089	-01	-130
	00 Standard 1-3/4" Door	119 To match 335 Black Anodized
	01 For Inverted Lock	121 To match 313 Dark Bronze Anodized
	20 For Doors up to 2-1/2"	130 To match 628 Clear Anodized

Standard unit fits 1-3/4" doors

RELATED PRODUCTS

When purchasing this product, please consider the following related products, available separately:

Accessories

91-0912 Adapter Plate, 20-0255-IP Header Sign, 20-0256-IP IBC Header Sign, 22-0819 Pin Cover Plate for 4016.

COMPATIBLE PRODUCTS

This product is compatible with the following products:

Deadlocks

MS1830, MS1837, MS1850S(-050), SCH1850S, MS1850SN(-050), SCH1850SN, MS1950(-050), MS+1890.

Flushbolts

1870 Cylinder-Operated Flushbolt.

4800 Series Strikes



HOLLOW
METAL



WOOD

4800 Series Strikes add aesthetics and finish to strike cutouts in jambs.

4800 Series

Function

With vertical adjustment to accommodate door/jamb misalignment and a shim system for horizontal positioning to match various jamb bumper designs, the 4800 Series Strikes can be fit to nearly any sliding door using a mortised MS1847 Deadlock or latch. 4801 strikes are furnished with sheet metal screws for metal jamb installation. 4802 strikes are furnished with machine screws and tee nuts which are installed on the back side of the jamb to provide the strongest possible anchorage in wood.

Specifications

MATERIAL

- Steel, heat treated. Shims are ABS plastic. Zinc (603) finish.

MS4804

Function

This reinforcing strike provides strength equal to the strength of the stainless steel bolt of the MS1847 Deadlock: tested to 1,000 lbs. of force. This strength by far exceeds the standards of the Architectural Aluminum Manufacturers Association as well as the strictest current municipal security ordinance.

Specifications

FACEPLATE

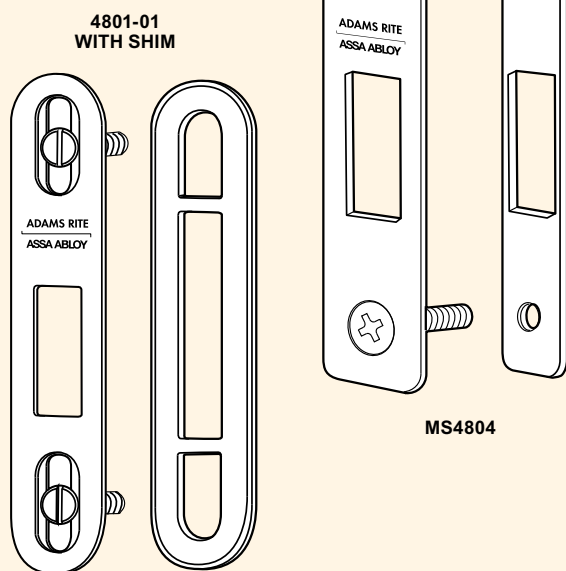
- Measures 1/16" x 3/4" x 3-3/8". Steel, plated for corrosion resistance. MS4804-10 available in stainless steel.

REINFORCING PLATE

- Measures 1/16" x 1/2" x 3-3/8". Steel, plated for corrosion resistance. Tapped for furnished #10-32 flathead screws.

STANDARD PACKAGE FOR BOTH 4800 AND 4804

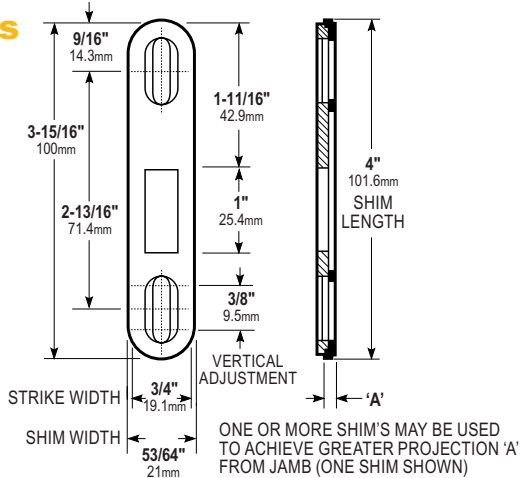
- All strikes are individually packaged in envelope with screws and shim if required.



All measurements are approximate and are provided for informational purposes only. Refer to the product Installation Instructions.

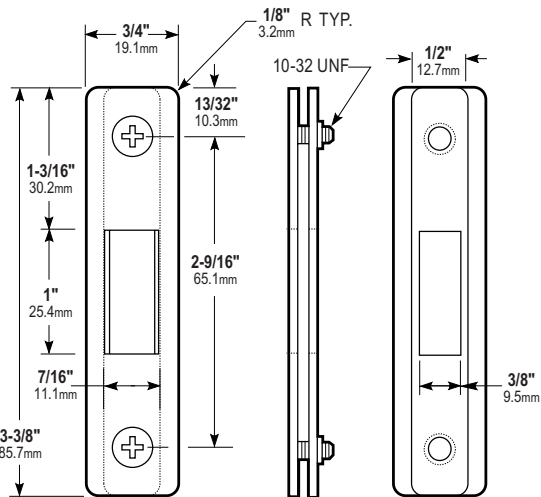
Dimensions

4800 Series



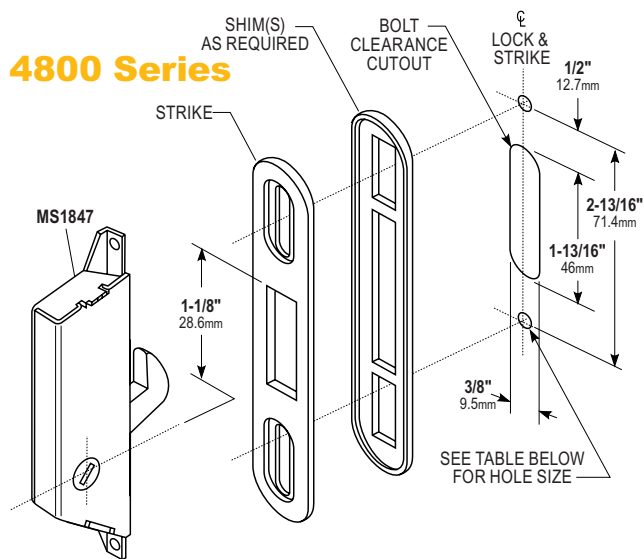
APPLICATION	PART NO.	SHIMS	DIMENSION 'A'
METAL JAMBS (furnished with two #8 x 1 sheet metal screws)	4801	NONE	0
	4801-01	1	3/32" (2.4mm)
	4801-02	2	3/16" (4.8mm)
	4801-03	3	9/32" (7.1mm)
WOOD JAMBS (furnished with two #8-32 x 7/8" machine screws and two tee nuts)	4802	NONE	0
	4802-01	1	3/32" (2.4mm)
	4802-02	2	3/16" (4.8mm)
	4802-03	3	9/32" (7.1mm)

MS4804



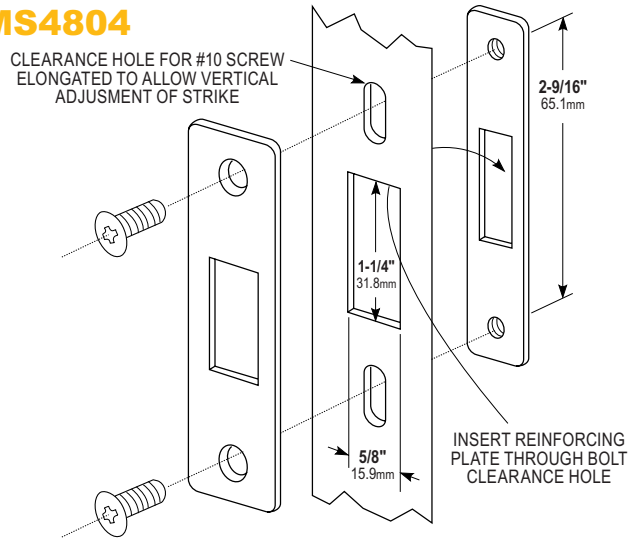
Jamb Preparation

4800 Series



	HOLE SIZE	
METAL JAMB APPLICATION 4801 SERIES	1/8" (3.2mm)	(No. 31 DRILL)
WOOD JAMB APPLICATION 4802 SERIES	7/32" (5.6mm)	(No. 3 DRILL)

MS4804



4800, MS4804 STRIKES

Specify quantity and the following information. Order related products separately.

	TYPE OF JAMB	DIMENSION 'A'
480	1	-02
	1 Metal	01 3/32"
	2 Wood	02 3/16"
		03 9/32"

	FINISH
MS4804	-630
	630 Satin Stainless

COMPATIBLE PRODUCTS This product is compatible with the following products:

Deadlocks
MS1847 Deadlock

4901, 4902 Deadlatch Strikes



ALUMINUM

HOLLOW
METAL

WOOD

4901, 4902 Deadlatch Strikes add aesthetics and finish to strike cutouts in jambs.

Function

Designed for use in conjunction with 4300, 4500, 4700, and 4900 Series Deadlatches, these strikes offer a choice of mounting methods; a backup mounting plate included with the 4901 and 4902 allows installation flush in a hollow section jamb. Use 4506-02 ANSI strike for wood or steel jambs. All strikes are unhandled, suitable for right or left hand doors. Strike plate material is stainless steel.

4901-01

Standard slat strike includes molded black plastic dust box and closure of the unused lower strike opening, with steel mounting plate. Long face is designed to span strike area of MS® deadlocks with which the deadlatch is interchangeable.

4901-02

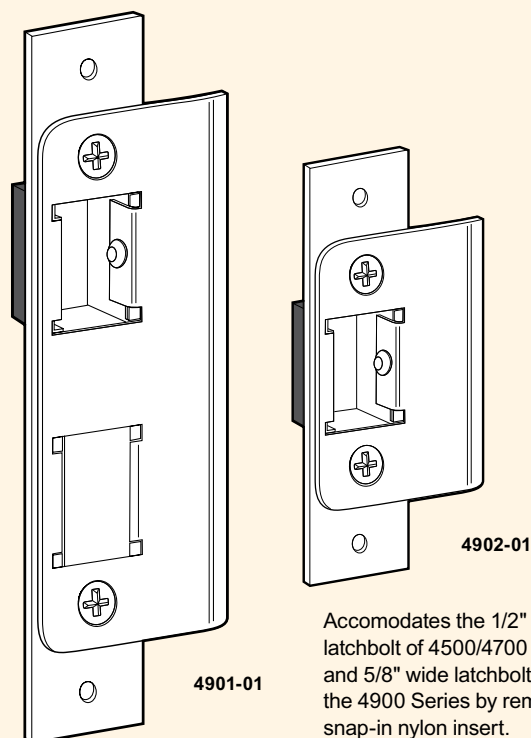
Same as 4901-01, except with radiused strike plate, for nose of opposite door when latching pairs.

4902-01

Standard flat strike furnished with the 4900 Series Heavy Duty Deadlatches. Includes molded black plastic dust box and steel mounting plate. Short face design.

4902-02

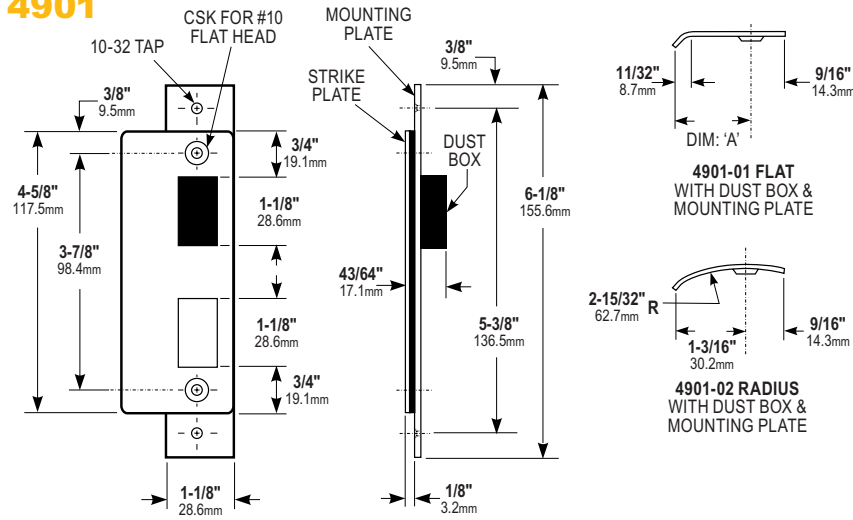
Same as 4902-01, except with radiused strike plate, for nose of opposite door when latching pairs.



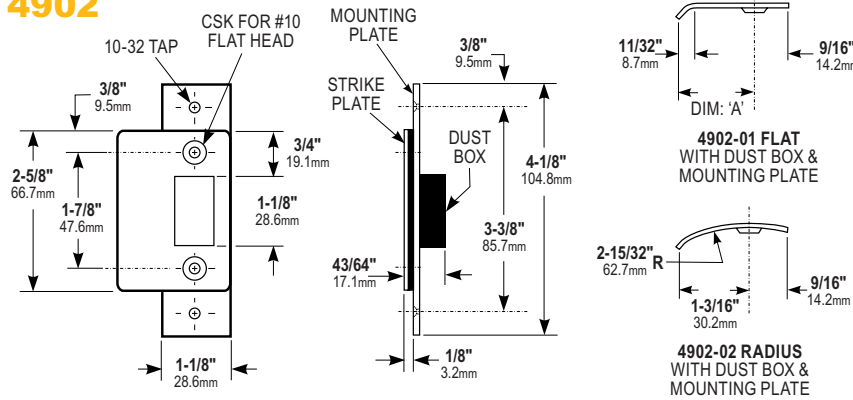
All measurements are approximate and are provided for informational purposes only. Refer to the product Installation Instructions.

Dimensions

4901

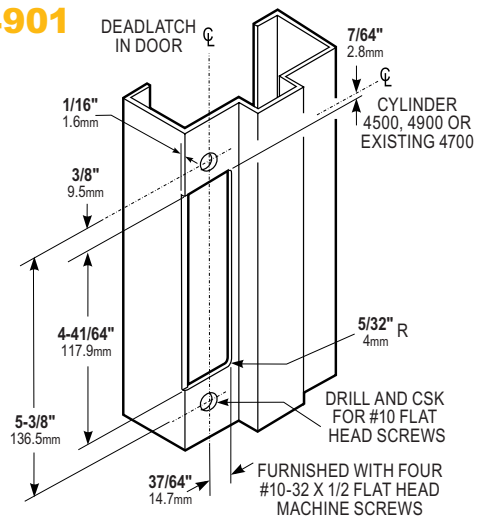


4902

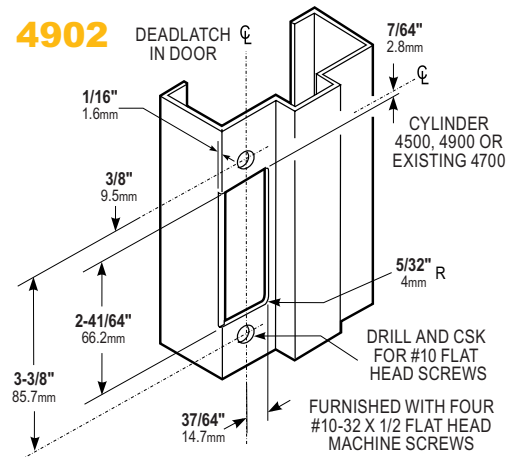


Installation

4901



4902



4901, 4902 DEADLATCH STRIKES

Specify quantity and the following information. Order related products separately.

	STRIKE TYPE	FACEPLATE SHAPE			
490	1	-02			
		Standard Lip			
	1 Long	01 Flat			
	2 Short	02 Radius			
		Long Lip for Center Hung Door			DIM. 'A'
		03 2-1/4" Wide Jamb	13 3-1/2" Wide Jamb	1-1/8	1-3/4
		05 2-1/2" Wide Jamb	15 3-3/4" Wide Jamb	1-1/4	1-7/8
		07 2-3/4" Wide Jamb	17 4" Wide Jamb	1-3/8	2
		09 3" Wide Jamb	19 4-1/4" Wide Jamb	1-1/2	2-1/8
		11 3-1/4" Wide Jamb	21 4-1/2" Wide Jamb	1-5/8	2-1/4

COMPATIBLE PRODUCTS This product is compatible with the following products:

Deadlatches

4300 eLatch Electrified Deadlatch
4500 Series Standard Duty Deadlatch

4900 Series Heavy Duty Deadlatch
Note that 4700 Deadlatch is discontinued and replaced by 4900 Deadlatch.

Lock Mounting Methods

Lock mounting methods for narrow stile aluminum doors – the three most prevalent methods of mounting locks and latches within the hollow tube stile of glass doors are shown in the accompanying illustrations.

Method A: 4104 Mounting Bridge

Method “A” spans the stile with a steel bridge at the top and bottom of the lock. A simple handle (Adams Rite Installation Tool 4075) is used to position the bridge accurately in the stile while its two screws are tightened to form a “web” in the door. Resilient washers allow for minor adjustment to fit the lock flush in the door.

Method B: 26-00090XX Tube Spacer

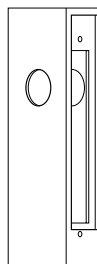
Method “B” requires two tapped holes in the back web of the stile and tubular spacers of appropriate lengths. Some door manufacturers use a heavy coil spring in place of the tube to allow for minor adjustment.

Method C: 91-0965 Kit for Radiused Door, 91-0966 Kit for Beveled Door

Method “C” was developed for use in Aluminum door jams for the purpose of retrofitting locks into existing doors. Its edge of the door location allows for easy application, reduces risk of door damage, particularly when used in glass doors, and makes drilling an easier process. It can also be used in metal or steel doors.

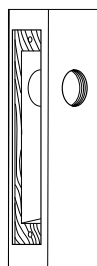
Lock Mounting Method for Hollow Metal Doors

Hollow metal doors with hardware preparation per ANSI standards have welded-in lock mounting tabs and require no modification to accept a lock manufactured with a mounting pattern conforming to these standards. (Examples: MS1850SN Deadlock and 4920AN Heavy Duty Deadlatch)

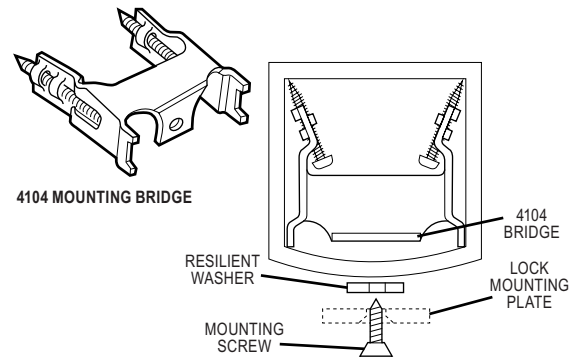


Lock Mounting Method for Wood Doors

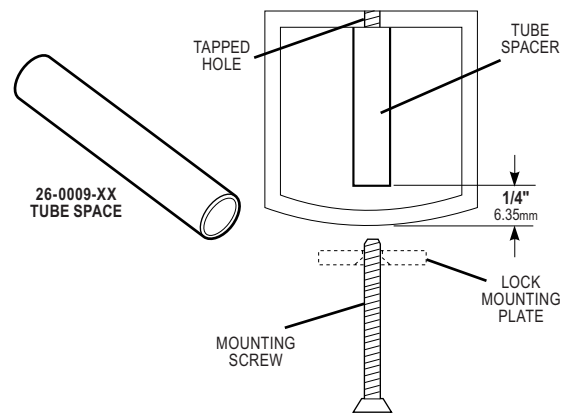
A stepped mortise cutout is required in wood door installations. This mortise can be accomplished most easily with a router, but hand drill and chisel methods will suffice for single or low volume installations.



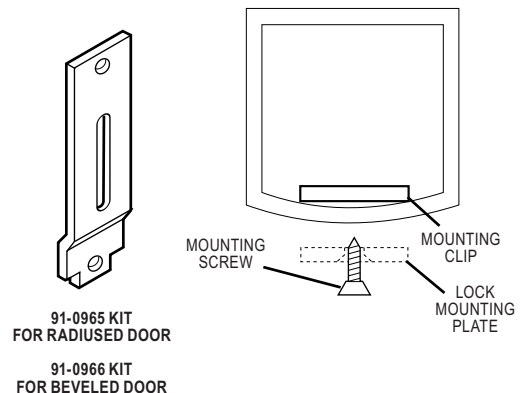
Method A



Method B



Method C



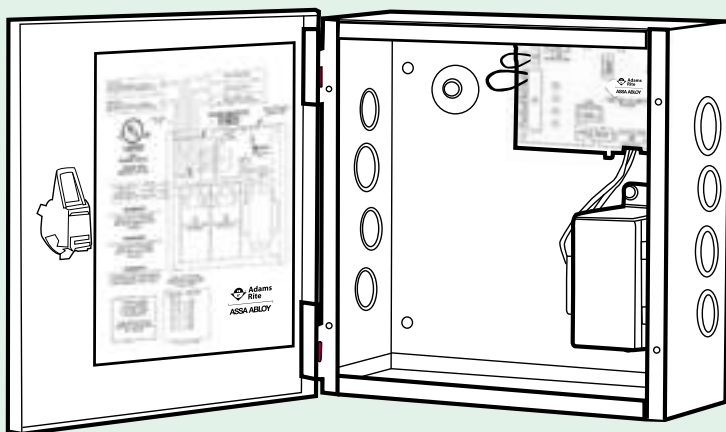
PS-SE Power Supply



Power supply with optional battery backup for all 3000 and 8000 exit devices with Silent Electrification Motorized Latch Retraction (SE) option.

Function

This power supply is required for the Silent Electrification Motorized Latch Retraction (SE) option on Adams Rite exit devices. It operates at 24 VDC to power up to two SE exit devices in sequential or independent modes. The PS-SE is also equipped with a fire alarm disconnect interface circuitry.



Operating Modes

The PS-SE is designed to power up to two 3000 SE or 8000 SE exit devices in the following operating modes:

- **Sequential Mode** – A single input switch (Dry Contact) operates two devices in sequential operation. Ideal for a double-door setup.
- **Independent Mode** – Each SE exit device is controlled by its own input switch.

Specifications

UL1012 + UL1310

INPUT POWER

- 115 VAC, 0.7A

PRIMARY FUSE

- The PS-SE has two user-serviceable fuses:
 - F1: Transformer output: 2AMPS/250V 5x20MM
 - F2: Transformer input: 2AMPS/250V 5x20MM

OPEN HOLD TIMES

- The PS-SE has two open hold timers. Hold open time settings are adjustable from 2-60 seconds.

ENCLOSURE

- Hinged, steel cabinet measures 10" x 10-3/8" x 4-1/8". Black, baked enamel finish, with knockouts for conduit connections. Sized to accommodate two sealed, lead acid batteries (7AH, not included).

OPTIONS

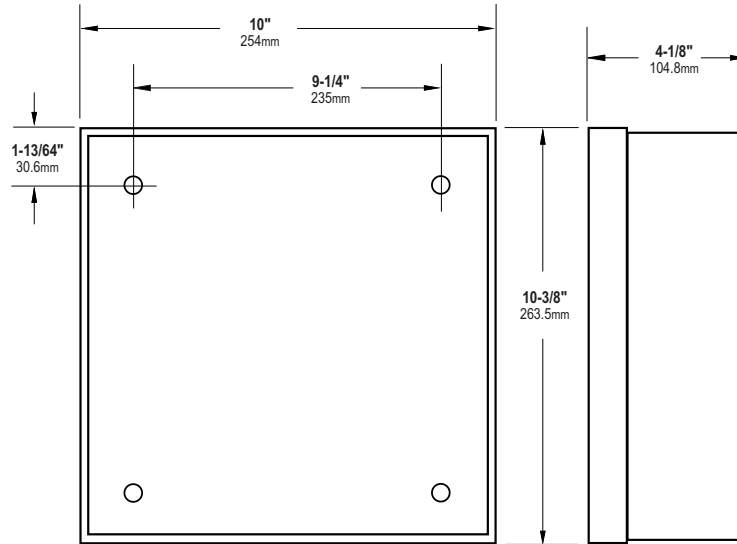
- Battery Backup Kit (BBK-SE) available separately to add battery backup capability to the PS-SE. The enclosure is sized to accommodate two 12 volt – 7AH sealed, lead acid batteries (not included).

Important Note

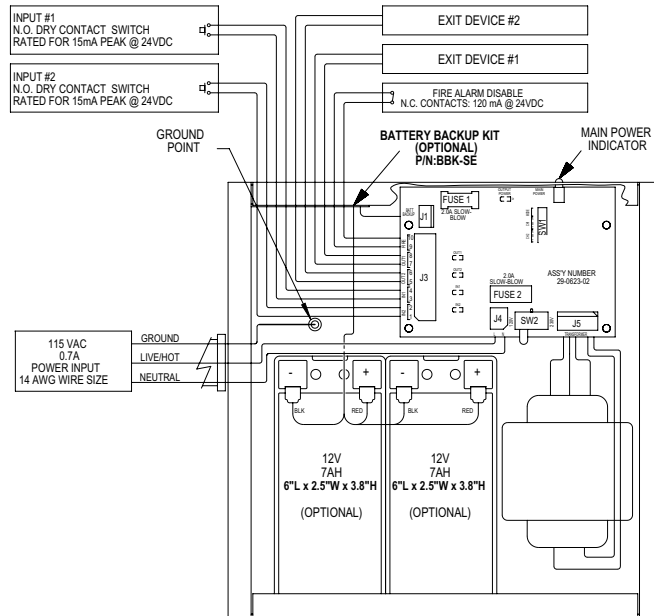
Adams Rite requires that for optimal performance all exit devices with the SE option be paired with PS-SE power supplies. Failure to do so may cause permanent damage to the exit device and will void the Manufacturer's warranty.

All measurements are approximate and are provided for informational purposes only. Refer to the product Installation Instructions.

Dimensions



Layout & Wiring



HOW TO ORDER PS-SE POWER SUPPLY

Specify quantity and the following information. Order related products separately.

POWER SUPPLY	
PS	-SE
SE Power Supply for exit devices w/ SE option	

RELATED PRODUCTS

When purchasing this product, please consider the following related products, available separately:

Accessories

BBK-SE Battery Backup Kit.

Power

4612 Power Transfer Device.

COMPATIBLE PRODUCTS

This product is compatible with the following products:

Deadlatches

4300 Electrified Deadlatch

Electric Strikes

7100, 7200, 7400 Series Electric Strikes

Exit Devices

All electrified exit devices with SE Silent Electrification Motorized Latch Retraction

Trim

3080 Entry Trim, 3090P/3090C Keyless Entry

PS-1 Power Supply



One amp linear power supply with integrated battery backup circuitry for electric strikes, maglocks, and other access control devices.

Function

Provides filtered and regulated voltage output to power electric strikes, magnetic locks, or other access control devices. Output is selectable in the field for 12 or 24 VDC. Charging circuit is built in for battery backup power (batteries not included) with 12 or 24 VDC operation. LED on circuit board indicates power input.

Specifications

UL 294

INPUT POWER

- 110 VAC, 60 Hz, 0.5A

OUTPUT VOLTAGE

- Field-selectable 12 or 24 VDC, 1 Amp. (Maximum 13.8 VDC/27.6 VDC)

PRIMARY FUSE

- 800 mA, 5 x 20MM

BATTERY FUSE

- 2 Amps, 5 x 20MM

FIRE ALARM

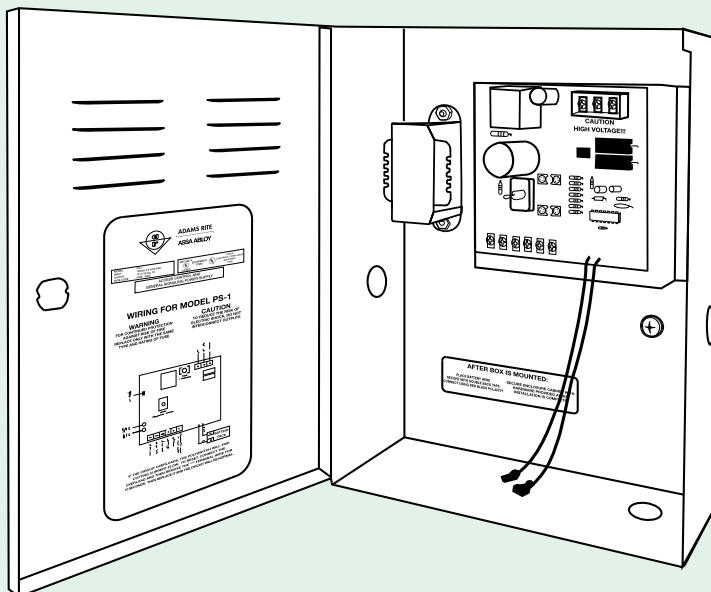
- UL listed low current fire alarm disconnect requires only a minimum size fire alarm relay and wire gauge.

ENCLOSURE

- Hinged, steel cabinet measures 12-1/8" x 4" x 12-1/8". Beige, baked enamel finish with knockouts for conduit and key lock. Sized to accommodate two sealed, lead acid batteries (4AH, not included).

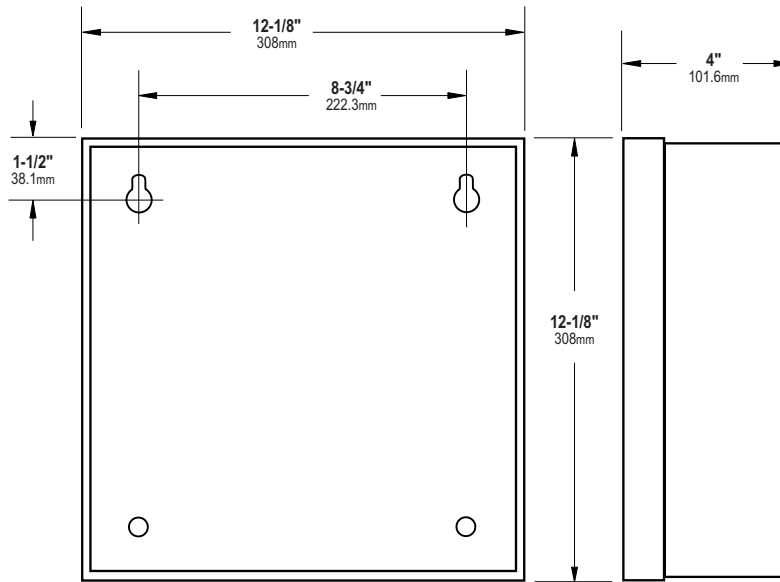
OPTIONS

- 4612 Power Transfer Device available separately. Enclosure sized to accommodate two sealed, lead acid batteries (4 AH, not included).

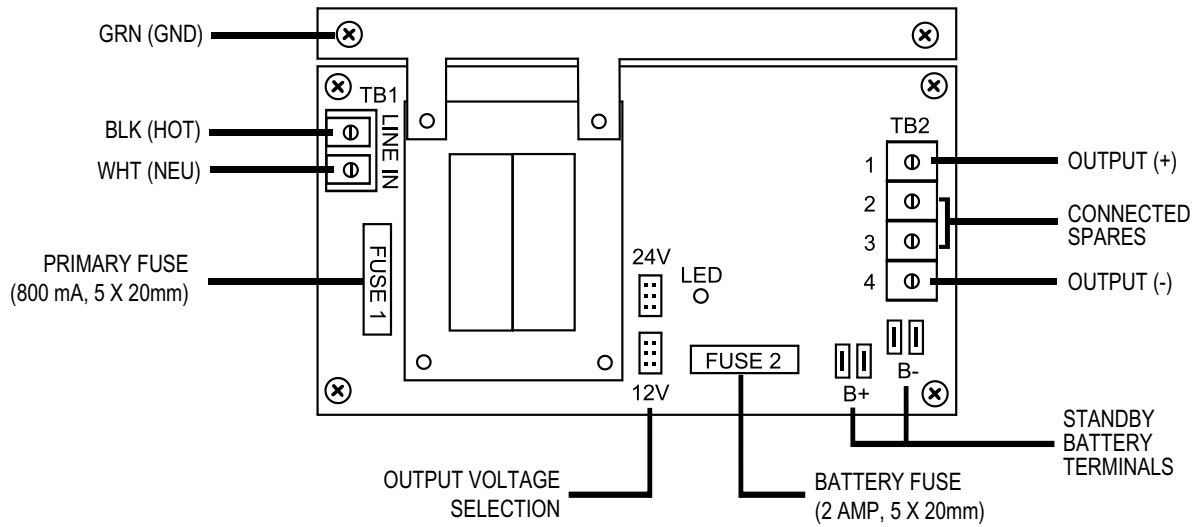


All measurements are approximate and are provided for informational purposes only. Refer to the product Installation Instructions.

Dimensions



Layout & Wiring



HOW TO ORDER PS-1 POWER SUPPLY

Specify quantity and the following information. Order related products separately.

POWER SUPPLY	
PS	-1
1 Standard Power Supply	

RELATED PRODUCTS

When purchasing this product, please consider the following related products, available separately:

Accessories

Batteries not included.

Power

4612 Power Transfer Device.

COMPATIBLE PRODUCTS

This product is compatible with the following products:

Deadlatches

4300 Electrified Deadlatch.

Electric Strikes

7100, 7200, 7400 Series Electric Strikes.

Exit Devices

All electrified exit devices without Motorized Latch Retraction.

Trim

3080 Entry Trim, 3090P/3090C Keyless Entry.

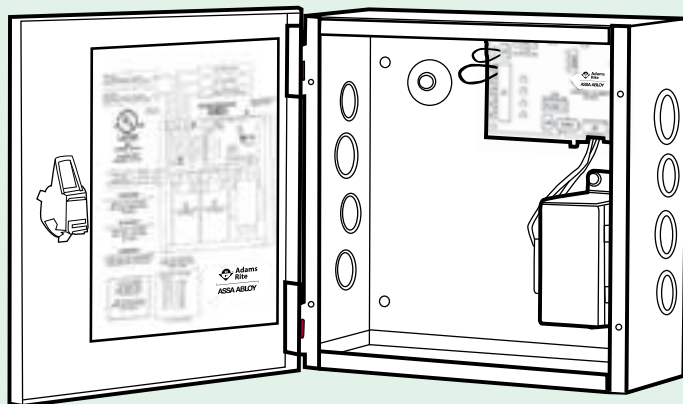
PS-LR Power Supply



Linear power supply with optional battery backup for vertical rod and mortise type exit devices with electric latch retraction (LR) option.

Function

This Adams Rite power supply is strongly recommended for the electric latch retraction (LR) option on vertical rod and mortise types of exit devices. It operates at 28 VDC to power up to two LR exit devices in sequential or independent modes. The PS-LR is also equipped with a fire alarm disconnect interface circuitry.



Operating Modes

The PS-LR is designed to power up to two 3000 LR or 8000 LR exit devices in the following operating modes:

- **Sequential Mode** – A single input switch (dry contact) operates two devices in sequential operation. Ideal for a double-door setup.
- **Independent Mode** – Each LR exit device is controlled by its own input switch.

Specifications

UL1012 + UL1310

CAN/CSA - C22.2 NO. 223

INPUT POWER

- 115 VAC or 230 VAC, 0.7A/0.4A

PRIMARY FUSE

- The PS-LR has two user-serviceable fuses:
 - F1: Transformer output: 4.0A/250V 5x20MM
 - F2: Transformer input: 3.15A/250V 5x20MM

OPEN HOLD TIMES

- The PS-LR has two open hold timers. Hold open time settings are adjustable from 2-60 seconds.

ENCLOSURE

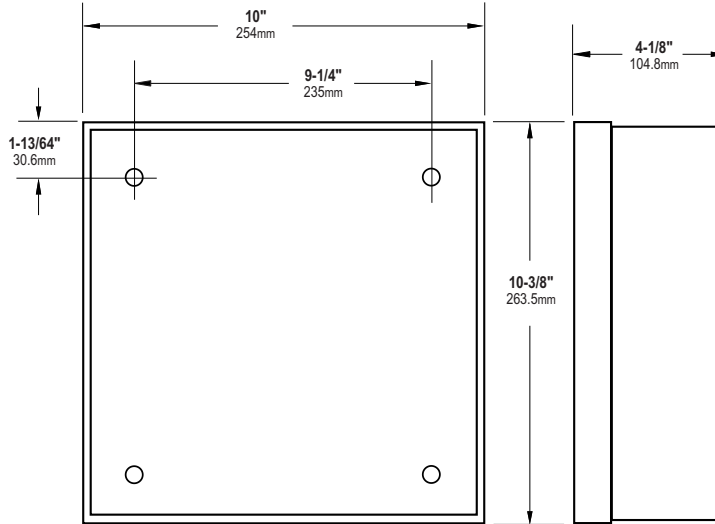
- Hinged, steel cabinet measures 10" x 10-3/8" x 4-1/8". Blue, baked enamel finish, with knockouts for conduit connections. Sized to accommodate two sealed, lead acid batteries (7AH, not included).

OPTIONS

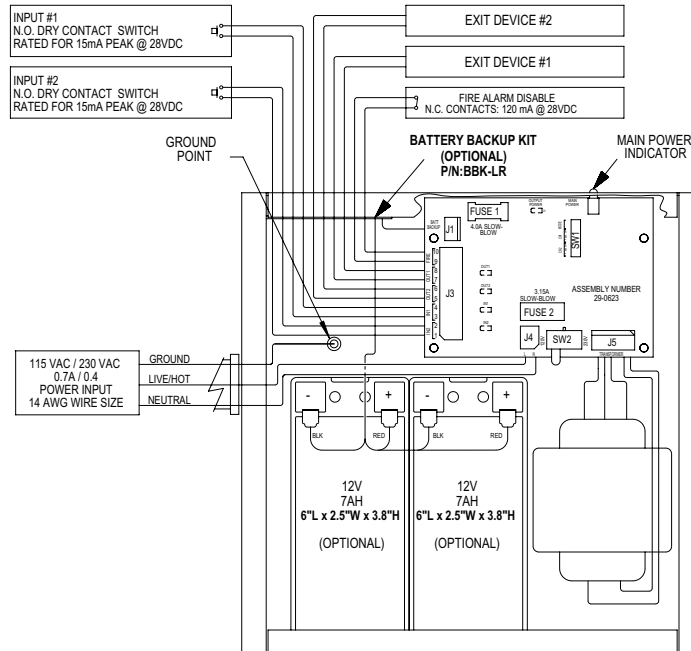
- Battery Backup Kit (BBK-LR) available separately to add battery backup capability to the PS-LR. The enclosure is sized to accommodate two 12 volt – 7AH sealed, lead acid batteries (not included).

All measurements are approximate and are provided for informational purposes only. Refer to the product Installation Instructions.

Dimensions



Layout & Wiring



HOW TO ORDER PS-LR POWER SUPPLY

Specify quantity and the following information. Order related products separately.

	POWER SUPPLY
PS	-LR
	LR Power Supply for exit devices w/ LR option

RELATED PRODUCTS

When purchasing this product, please consider the following related products, available separately:

Accessories

BBK-LR Battery Backup Kit.

Power

4612 Power Transfer Device.

COMPATIBLE PRODUCTS

This product is compatible with the following products:

Deadlatches

4300 Electrified Deadlatch.

Electric Strikes

7100, 7200, 7400 Series Electric Strikes.

Exit Devices

All electrified exit devices with LR Latch Retraction.

Trim

3080 Entry Trim, 3090P/3090C Keyless Entry.

Transformer, Rectifier and Piezo Horn

4603 Rectifier

Converts low voltage AC current to DC of same voltage. Installs in low voltage line between transformer and strike. Full wave bridge type. Rated 2 Amps. (200 PIV).

4605 Transformer

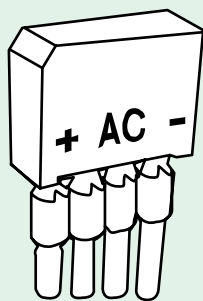
Converts 120VAC to 12VAC/24VAC. Rated 40 Volt-amp output assures plenty of power for strike release.

4606 Plug-In Transformer

Converts 120VAC current to 24VAC. Plugs into standard wall outlet.

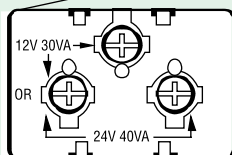
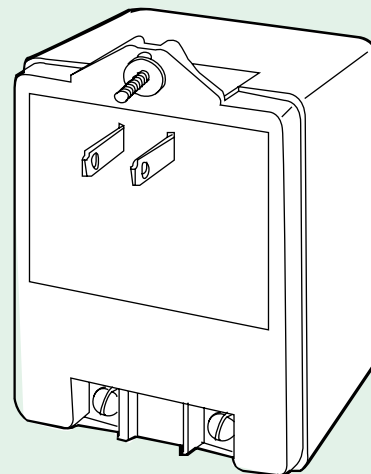
29-0218 Piezo Horn

Provides for audible indication of when a DC strike is energized. Operates with 12 VDC, 16 VDC, or 24 VDC strikes.

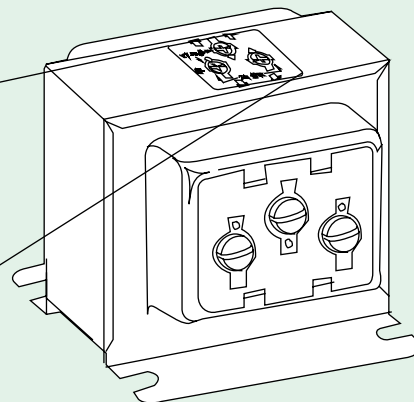


4603
RECTIFIER

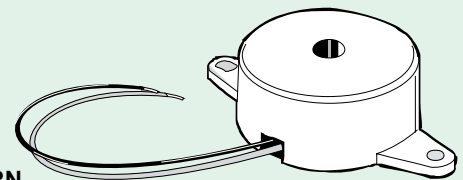
4606 PLUG-IN
TRANSFORMER



4605
TRANSFORMER



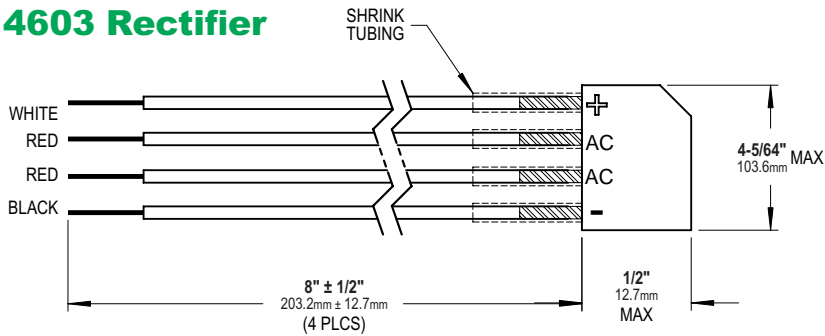
29-0218
PIEZO HORN



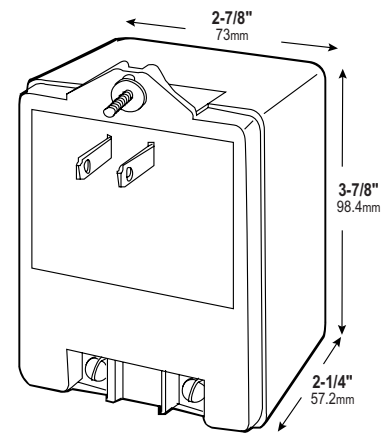
All measurements are approximate and are provided for informational purposes only. Refer to the product Installation Instructions.

Dimensions

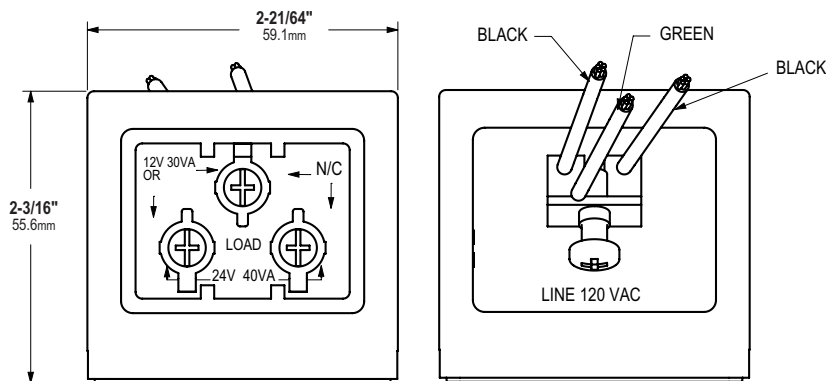
4603 Rectifier



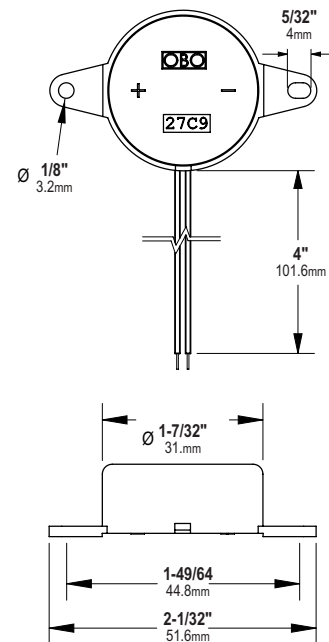
4606 Plug-In Transformer



4605 Transformer



29-0218 Piezo Horn



HOW TO ORDER 4603, 4605, 4606 RECTIFIER, TRANSFORMER

Specify quantity and the following information. Order related products separately.

	ACCESSORY
460	3
	3 Rectifier
	5 Transformer
	6 Transformer (plug in)

RELATED PRODUCTS

When purchasing this product, please consider the following related products, available separately:

Power

PS-1, PS-SE, PS-LR, and 4612 Power Transfer Device.

COMPATIBLE PRODUCTS

This product is compatible with the following products:

Deadlatches

4300 Electrified Deadlatch.

Electric Strikes

7100, 7200, 7400 Series Electric Strikes.

Trim

3080 Entry Trim.

4612 Power Transfer Device



ALUMINUM



HOLLOW METAL



WOOD

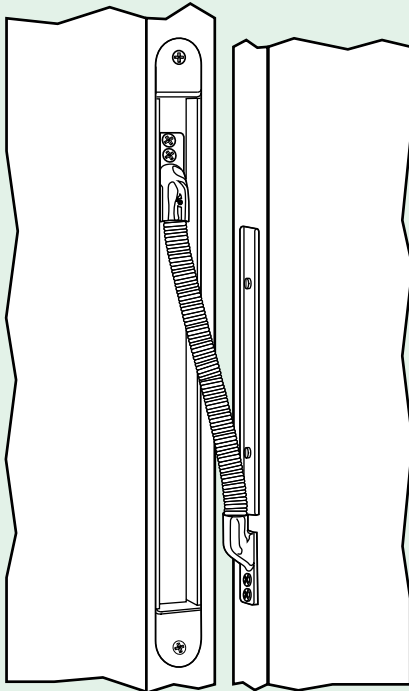


FIRE RATED

The 4612 Power Transfer Device channels electrical wiring from the door frame into the door itself. This powers electric strikes, locks, exit bars, and more on doors hung with butt-type hinges.

Function

Provides a secure and unobtrusive means of channeling electrical wiring from the door frame into the door itself, for powering electric strikes, locks, exit bars, etc. Suitable for any door hung with butt-type hinges, including continuous or pivots offset 3/4" or less. (Not compatible with center-pivot doors.)



Specifications

UL634

CONDUIT

- Spring steel helix has internal diameter of approximate 5/16". This provides ample room for multiple wires of the low voltage type used with most electrical hardware.

HOUSING

- Stamped steel, approximately 1/16" thick. Short (105° swing) version shown is 11-1/12" long. 180° version is 20-5/21" long. Chrome finish.

CASE-KNIFE GUARD

- Particularly for out-swinging doors, a steel barrier fence offers extra protection against attack on the conduit by knives, shims, or other tools. Completely hidden when door is closed.

OPTIONS

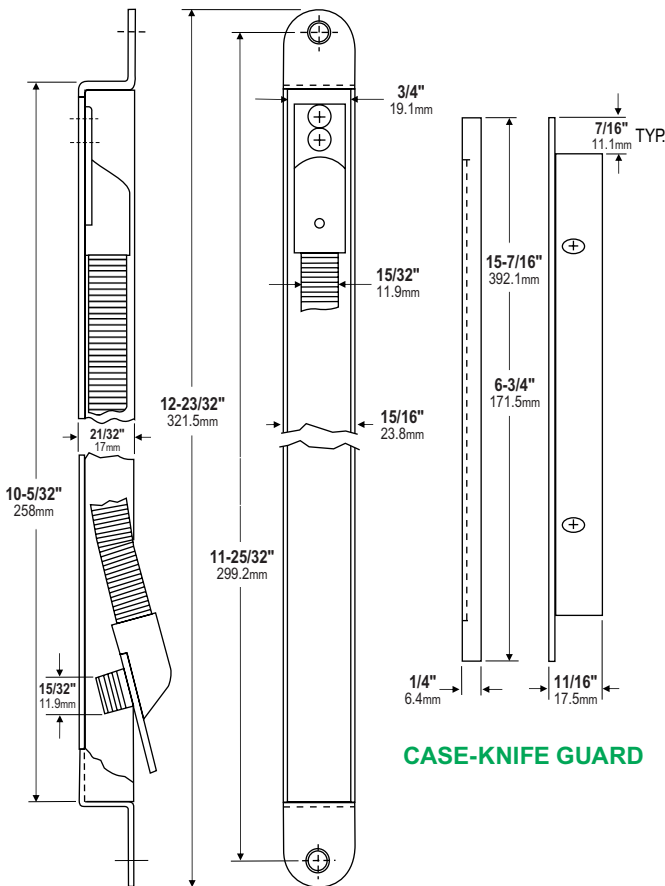
- Available for application in aluminum, hollow steel, or wood door and frames. Standard (short) version suits doors that swing up to 105°. A longer version is available for doors that open 180°. Swing Clear option is also available.

STANDARD PACKAGE

- Individually boxed with fasteners as required for each application type: wood, steel, or aluminum. Shipping weight approximately 1 lb.

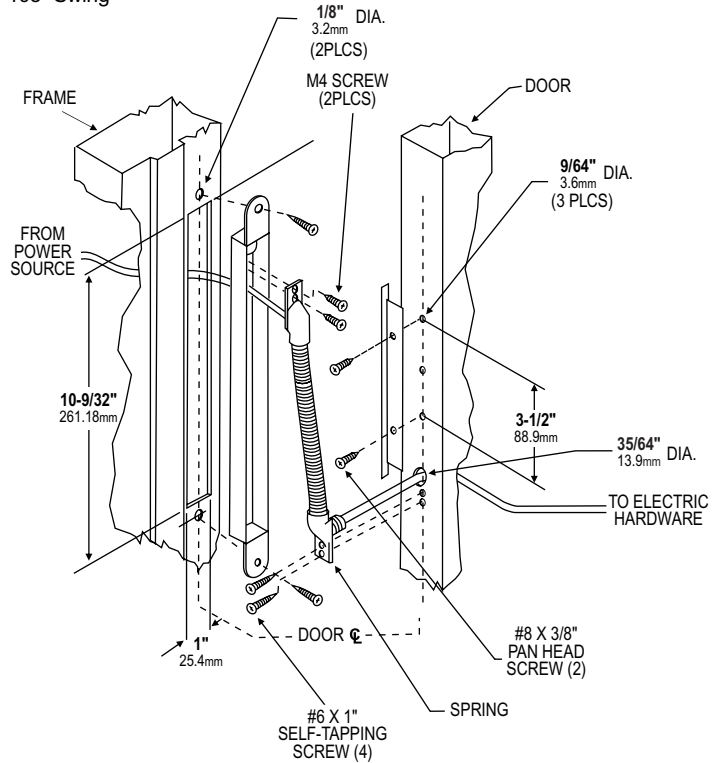
All measurements are approximate and are provided for informational purposes only. Refer to the product Installation Instructions.

Dimensions



Installation

105° Swing



Door and Frame Prep - 105° Swing

1. For wood frame, the rectangular cutout is 2" deep minimum.
2. 4612 Power Transfer Device is designed to protect the wire. Care should also be taken when inserting wires through this device.
3. Only stranded wires to be employed.
4. Size and number of wires must comply with the National Electric Code, NFPA, and local authorizes having jurisdiction. Wire size shall be at least 22 gauge.
5. This device is intended for low voltage use only (30 VAC, 42.5 VDC, 10 W max.).
6. Wire should be labeled, appliance wiring material with minimum 1/32" thick insulation.

HOW TO ORDER 4612 POWER TRANSFER DEVICE

Specify quantity and the following information. Order related products separately.

DOOR SWING	
4612	-1
1	105° swing
1SC	Swing clear, 90°
2	180° swing

COMPATIBLE PRODUCTS This product is compatible with the following products:

Deadlatches

4300 Electrified Deadlatch.

Electric Strikes

7100, 7200, 7400 Series Electric Strikes.

Exit Devices

All electrified exit devices.

Trim

3080 Entry Trim, 3090P/3090C Keyless Entry



Terms & Icon Glossary

Definitions of commonly used terms plus classifications and descriptions of the icons found throughout this catalog.













Terms Glossary

- Backset:** The horizontal dimension from the front of the faceplate to the center of the cylinder.
- Cam:** The part on the back of a cylinder that rotates when the key is turned, and operates the lock mechanism.
- Deadbolt:** A lockbolt having no spring action. Usually rectangular and actuated by cylinder or thumbturn.
- Deadlatch:** A lock with a radiused or bevelled spring-loaded latchbolt which may be automatically or manually locked against unauthorized retraction and will self latch when the door returns to the closed position.
- Dogging:** The means of retaining the lockbolt or exit device mechanism in the open position to allow the door to be free swinging.
- Escutcheon:** An ornamental or protective plate that is fixed to the stile of the door and slips over the cylinder, thumbturn, handle or similar.
- Exit Device:** A horizontal bar running at least two-thirds of the width of the door leaf, where pressure on the bar releases the locking arrangement.
- Keyed Alike (KA):** All cylinders may be operated by the same key.
- Keyed Different (KD):** Different keys operate each cylinder or group of cylinders.
- Latchbolt:** A bevelled or radius bolt which operates on a spring return so that the lock may self-lock.
- Schoolhouse Function:** The inside operation of the deadlock is limited to unlocking only. The lock is modified to prevent someone (like a student) from locking up the classroom, usually with a thumbturn, from the inside.
- Solenoid:** A device that when energized with electrical current, develops a magnetic pull motion enabling mechanical work to be effected (such as plunger movement that releases the blocking arm on electric strikes).

Icon Glossary

ICON	CLASSIFICATION	DESCRIPTION
	FIRE-RATED	Products with a fire rating have been evaluated and listed to UL10B, "Fire Test of Door Assemblies" and UL10C, "Positive Pressure Fire Tests with Door Assemblies". The hourly rating qualification is also noted.
	GRADE 1	Passed Requirements of 1500 lbs. static force, 70 ft. lbs of impact force and withstands 500,000 cycles of operation.

ICON GLOSSARY CONTINUED ON BACK

ICON	CLASSIFICATION	DESCRIPTION
 GRADE 2	GRADE 2	Passed requirements of 1000 lbs. static force, 50 ft. lbs. of impact force and withstands 300,000 cycles of operation.
 UL 1034 BURGLARY LISTED	UL 1034 BURGLARY LISTED	Products with a UL 1034 listing are compliant as burglary resistant electric locking mechanisms.
 UL LISTED	UL LISTING	UL Listing means that UL has tested representative samples of the product and determined that it meets UL's requirements. These requirements are based primarily on UL's published and nationally recognized Standards for Safety.
 UL US	UL LISTING	UL Listing means that UL has tested representative samples of the product and determined that it meets UL's requirements. These requirements are based primarily on UL's published and nationally recognized Standards for Safety. This icon indicates compliance with both Canadian and US requirements.
 Intertek	WARNOCK-HERSEY/INTERTEK LISTING	Intertek Listing means that Intertek has tested representative samples of the product and determined that it meets Intertek's requirements. These requirements are based primarily on Intertek's published and nationally recognized Standards.
 ALUMINUM	ALUMINUM	This product suitable for aluminum doors.
 ELECTRIFIED OPTION	ELECTRIFIED OPTION	This product is available with electrification option.
 ELECTRIFIED PRODUCT	ELECTRIFIED PRODUCT	This is an electrified product.
 FULL GLASS	FULL GLASS DOOR	This product suitable for full glass doors.
 HOLLOW METAL	HOLLOW METAL DOOR	This product suitable for hollow metal doors.
 ROLL-UP DOOR	ROLL-UP DOOR	This product suitable for roll-up doors.
 WOOD	WOOD DOOR	This product suitable for wood doors.

Architectural Finishes

Not all finishes available on all products. For more detailed information on applicable finishes, please refer to the How to Order for each product.

Finish Chart

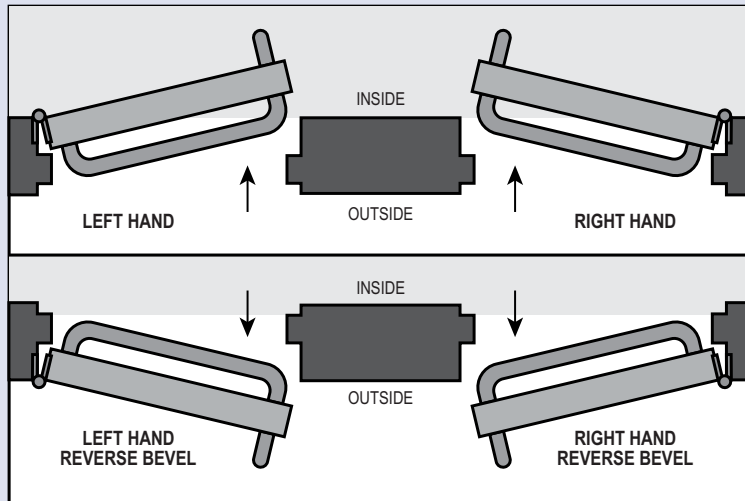
BHMA FINISH CODE	ADAMS RITE FINISH CODE	MATERIAL
603	603	Steel, Zinc Plated
605	US3	Bright Brass, Clear Coated
606	US4	Satin Brass, Clear Coated
611	611	Bright Bronze, Clear Coated
612	612	Satin Bronze, Clear Coated
626	626	Brass or Bronze, Satin Chromium Plated
628	628	Anodized Satin Aluminum
629	US32	Bright Stainless Steel
630	US32D	Satin Stainless Steel
652	652	Steel, Satin Chromium Plated
682	682	Zinc, Satin Chromium Plated
689	130	Any Material, Aluminum Painted
690	121	Any Material, Dark Bronze Painted
693	119	Any Material, Black Painted
	313	Anodized Dark Bronze Aluminum
	335	Anodized Black Aluminum
	CHP	Anodized Light Bronze Aluminum
	10B	Any Material, Dark Bronze Powder Coated
672	US26	Bright Chromium Plated Aluminum
702	US26D	Satin Chromium Aluminum

Handing of Doors

The handing of a door is determined from the outside of the opening.

STANDING OUTSIDE THE DOOR:

- If the hinges are on the left, it is a left hand door.
- If the hinges are on the right, it is a right hand door.
- If the door opens away from you, it is a regular bevel door.
- If the door opens toward you, it is a reverse bevel door.



Adams Rite Limited Warranty

Products sold under the Adams Rite brand in the United States of America are warranted free from defects in workmanship and materials under normal use and service.

This warranty does not cover defects or damage arising from improper installation, lack of or improper maintenance, improper storage, shipping and handling, corrosion, erosion, ordinary wear and tear, misuse, abuse, accident, unauthorized service, or use with unauthorized non-Adams Rite products or parts.

This warranty is void if any modification is made to the product, regardless of whether the modification causes or contributes to the alleged defect. All modifications are made at the risk of the party making the modification.

Should any defect of manufacture (in material or workmanship) occur in its products, Adams Rite, upon prompt notification and proof to its satisfaction that the product was defective in manufacture for the use intended by Adams Rite, will at its option, exchange the product, repair the product, or refund the price charged by Adams Rite, FOB factory within the stated time frame listed below.

- All mechanical products for five (5) years from date of manufacture
- Ultraline 7400 Electric Strikes for five (5) years from date of manufacture
- All electrical products for three (3) years from date of manufacture, with the exception of the exit devices with the SE option
- SE option on exit devices: for optimal performance Adams Rite requires that all exit devices with the SE option be powered using Adams Rite PS-SE power supplies. Failure to do so may cause permanent damage to the exit device and will void the manufacturer's warranty. When installed with PS-SE power supplies, SE exit devices are under warranty for three (3) years from date of manufacture.

General RMA Procedure

Product repair or replacement, or associated charges, will not be accepted under this warranty unless prior authorization from Adams Rite has been given. Upon receipt of products returned for repair or replacement, Adams Rite will determine whether products qualify for repair or replacement under this warranty. Adams Rite has no liability to pay any costs of repair performed by anyone other than qualified personnel authorized by Adams Rite prior to the work being done.

Written notice of a product or component part believed to be defective as covered by this warranty should be sent to Adams Rite, 10027 S. 51st Street, Suite 102, Phoenix, Arizona 85044 or CustomerCare@AssaAbloyEMS.com and should include your name and address, an identification of the product or component part and a brief description of the defect. Notice of a product or component part believed to be defective as covered by this warranty may also be accepted over the telephone by Adams Rite, 800.872.3267.

Upon receipt of such notice, if the customer has an account with Adams Rite or a valid credit card, an advance replacement product may be ordered whereby Adams Rite will ship a replacement product to the customer free of charge. If Adams Rite does not receive the original defective product from the customer within 60 days, Adams Rite will charge the customer's account or credit card for the price of the advanced replacement product plus freight costs. Upon inspection of the returned product by Adams Rite, a decision will be made whether or not to charge the customer for the advanced replacement Adams Rite product. This decision will be made solely by Adams Rite in accordance with the provisions of these Terms. Obsolete products will not be accepted for return.

Return Material Authorizations (RMAs) will be closed if the goods are not received within 60 days of issuance.

If Adams Rite receives original defective product from the customer within 60 days of RMA issuance, and if the customer is requesting credit for the defective material, the customer must reference the valid Adams Rite Purchase Order number upon which the product was originally ordered. If the original Purchase Order number is not available, at Adams Rite's option a credit may be issued at the customer's current cost. This decision will be made solely by Adams Rite in accordance with the provisions of these Terms.

Transportation charges and insurance on all returned materials must be prepaid by the purchaser when merchandise is ordered in error. On goods returned for customer convenience, when the purchaser returns materials in compliance with these Terms which are accepted by Adams Rite, the purchaser may be issued a credit for 65% of the purchase price, with 35% charged by Adams Rite for handling and reprocessing. All refunds will be in the form of a credit.

Cancellation

As an industry leader, Adams Rite is committed to maintaining the highest standard of quality and ensuring strict compliance to industry codes. Adams Rite's proud history of customer service and manufacturing agility allow quick response times to customer's changing needs, which may include special orders or product modifications. Please be advised that all product modifications require special authorization to ensure the order fully meets customer's expectations. Customers are asked to allow for an extended lead time on all special orders. Please note that at Adams Rite's option, product modifications and other special orders cannot be changed, cancelled, or returned once a ship date has been provided on an order acknowledgement by Adams Rite.

Adams Rite prides itself on introducing new, industry-relevant, feature-rich products. Since new solutions will surpass the capabilities of older product lines, historical products may be subsequently discontinued. Every effort will be made to announce new product introductions as well as product discontinuations in a manner that allows customers advanced notice of these events. Once a product line is discontinued orders will be fulfilled in order of receipt, although Adams Rite cannot guarantee all orders can be filled. Repair services and spare parts for discontinued product lines will be available for some reasonable time period. Adams Rite reserves the right to replace discontinued product with an equivalent product as deemed by Adams Rite.

THIS WARRANTY IS IN LIEU OF ALL OTHER EXPRESS WARRANTIES. TO THE EXTENT PERMITTED BY LAW, ALL IMPLIED WARRANTIES ARE LIMITED TO THE DURATION OF THIS WARRANTY. ADAMS RITE IS A DIVISION OF HANCHETT ENTRY SYSTEMS, INC. HANCHETT ENTRY SYSTEMS, INC. SHALL NOT BE LIABLE FOR ANY INCIDENTAL OR CONSEQUENTIAL DAMAGES. SOME STATES DO NOT ALLOW LIMITATIONS ON HOW LONG AN IMPLIED WARRANTY LASTS OR THE EXCLUSION OR LIMITATION OF INCIDENTAL OR CONSEQUENTIAL DAMAGES, SO THE ABOVE LIMITATION OR EXCLUSIONS MAY NOT APPLY TO YOU. THIS WARRANTY GIVES YOU SPECIFIC LEGAL RIGHTS, AND YOU MAY ALSO HAVE OTHER RIGHTS WHICH VARY FROM STATE TO STATE.

LEED Certification

Adams Rite receives Silver Level of LEED Certification.

Our Sustainability Initiative

ASSA ABLOY's drive to make sustainability an integral part of its business philosophy and culture is apparent in the newly constructed ASSA ABLOY Phoenix building. The Phoenix, Arizona home of Group brands Adams Rite, HES and SECURITRON incorporates sustainable construction methods that have earned the facility LEED® (Leadership in Energy and Environmental Design) Silver certification from the United States Green Building Council (USGBC).

About the United States Green Building Council (USGBC)

USGBC is an internationally recognized organization that provides the LEED rating system, a concise framework for identifying and implementing practical and measurable design, construction and operation of high performance green buildings. The Phoenix facility is the first ASSA ABLOY Americas building designed to the LEED Silver level.

Going Green

Adams Rite moved to the 94,000 square-foot Phoenix facility in 2012, joining HES and Securitron under one roof. When designing the facility, one main priority was to make it as eco-friendly as possible. ASSA ABLOY Phoenix incorporated a wide variety of building design features to help improve energy efficiency, air quality and sustainability.

Reduced Energy and Water Waste

New mechanical and electrical systems include a highly efficiency air conditioning system, plus Energy Star® appliances and equipment. The building features skylights, automatic controls and sensors that conserve energy as well as lights on motion sensors and timers for climate control. Upgraded insulation and reduced water consumption for plumbing fixtures reduce energy and water usage. Employees in the new building benefit from improved interior air ventilation.

Reduced Carbon Footprint

Site features that contribute to the Silver LEED rating include close proximity to a variety of services for employees and the use of native plants in landscaping for reduced irrigation water use. Bicycle parking and shower facilities support a reduced carbon footprint.

Other Sustainable Practices

Sustainable practices used in the construction process include recycling and minimizing construction waste, using FSC-certified wood, and low VOC emitting paints, adhesives, and other surfaces throughout the building. Air was also filtered during construction to reduce the spread of dust.

Employees and guests play a significant role in making the work environment healthy and sustainable. Recycling bins are strategically located throughout the building to facilitate recycling for operations and employees. Signs located throughout the building and internal action committees help educate guests and employees of the "green" features of the space and its smoke-free work environment. Environmentally responsible cleaning practices are used to maintain the building.

ASSA ABLOY Phoenix received formal conveyance of its LEED Silver certification in 2012, and enjoy the opportunity to showcase our new home as an example of ASSA ABLOY's commitment to sustainability.