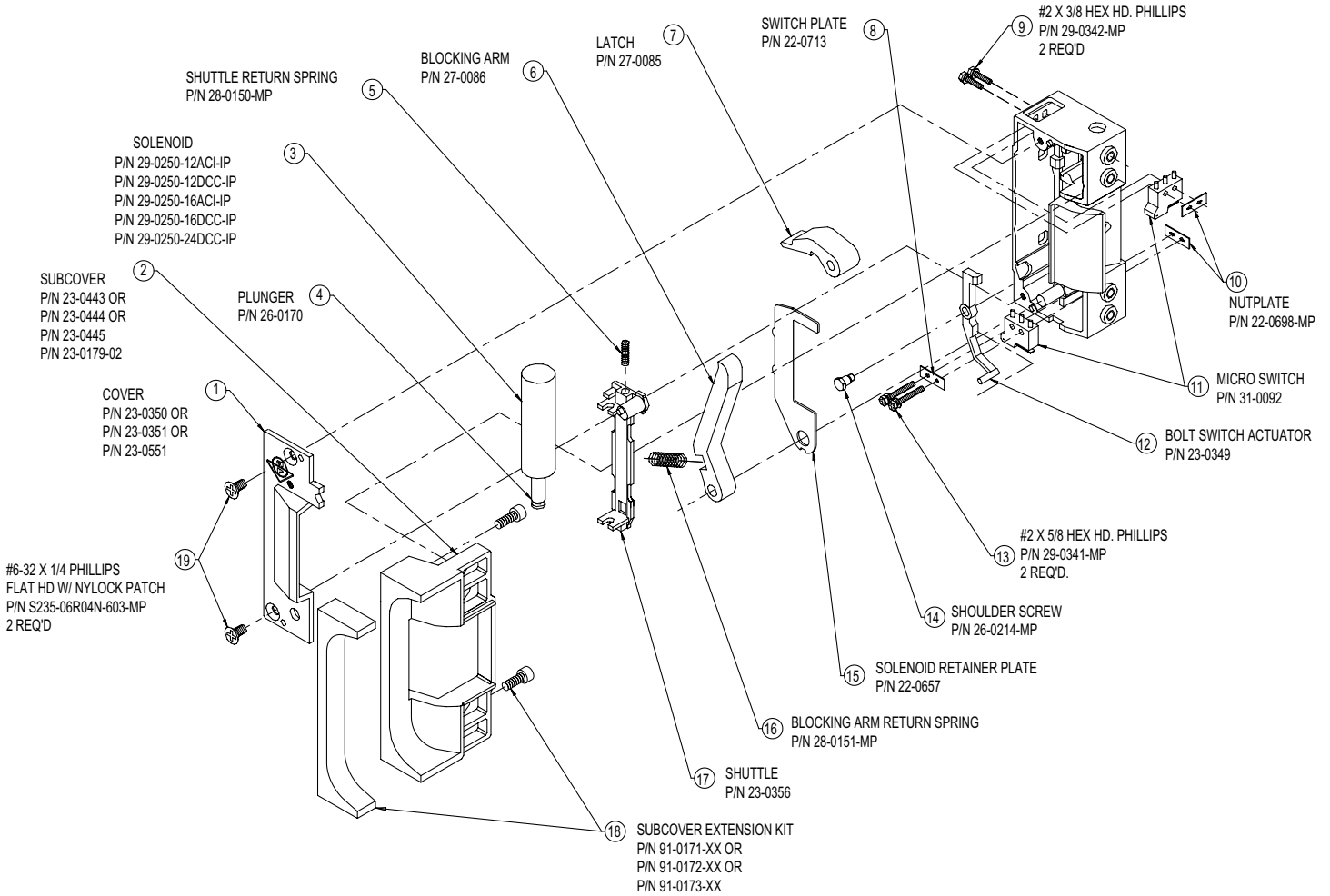


7100 ELECTRIC STRIKE



7100 ELECTRIC STRIKE

7100 Electric Strike

ITEM	PART NUMBER	DESCRIPTION	UNITS PKGD	2015 PRICE
1	23-0350	Cover (7100, 7101, 7110, 7111, 7130, 7131, 7140)	Each	\$9.00
	23-0351	Cover (7160, 7170)	Each	\$9.00
	23-0551	Cover (7108, 7128)	Each	\$7.00
2	23-0443	Subcover (7100, 7110, 7111, 7130, 7140)	Each	\$14.00
	23-0444	Subcover (7101, 7131)	Each	\$14.00
	23-0445	Subcover (7160, 7170)	Each	\$16.00
	23-0179-02	Subcover (7108, 7128)	Each	\$20.00
3	29-0250-12ACI-IP	Solenoid (12 VAC Int.)	Each	\$38.00
	29-0250-12DCC-IP	Solenoid (12 VDC Cont./24 VAC Int.)	Each	\$38.00
	29-0250-16ACI-IP	Solenoid (16 VAC Int.)	Each	\$38.00
	29-0250-16DCC-IP	Solenoid (16 VDC Cont.)	Each	\$38.00
	29-0250-24DCC-IP	Solenoid (24 VDC Cont.)	Each	\$38.00
4	26-0170	Plunger	Each	\$5.00
5	28-0150-MP	Shuttle Return Spring	Pkg. of 10	\$5.00
6	27-0086	Blocking Arm	Each	\$8.00
7	27-0085	Latch	Each	\$5.00
8	22-0713	Switch Plate	Each	\$4.00
9	29-0342-MP	#2 x 3/8 Phillips Hex Head	Pkg. of 10	\$4.00
10	22-0698-MP	Nutplate	Pkg. of 10	\$9.00
11	31-0092	Microswitch	Each	\$67.00
12	23-0349	Bolt Switch Actuator	Each	\$5.00
13	29-0341-MP	#2 x 5/8 Phillips Hex Head	Pkg. of 10	\$7.00
14	26-0214-MP	Shoulder Screw	Pkg. of 10	\$37.00
15	22-0657	Solenoid Retainer Plate	Each	\$8.00
16	28-0151-MP	Block Arm Return Spring	Pkg. of 10	\$8.00
17	23-0356	Shuttle	Each	\$5.00
18	91-0171-XX*	Subcover Lip Extension Kit (7100, 7110, 7111, 7130, 7140)	Each	LIST
	91-0172-XX*	Subcover Lip Extension Kit (7160, 7170)	Each	LIST
	91-0173-XX*	Subcover Lip Extension Kit (7108, 7128)	Each	LIST
19	S235-06R04N-603-MP	#6-32 x 1/4 Phillips Flat Head (Under Cut)	Pkg. of 10	\$4.00
NS	91-0077-01-XXX	Mounting Kit (2-Mounting Tabs, 2-Mounting Screws, 2-Press Nuts, Adhesive Shims, 2-Wire Nuts) Specify 313, 335, or 628 finish	Each	\$12.00

LIST = Refer to current pricelist

NS = Not shown

*Specify lip extension requirements, refer to catalog for "A" dimension. Extensions provided in 1/8" increments beginning with -01 for a 3/8" extension.

ASSA ABLOY, the global leader in door opening solutions



800.872.3267 • Fax 800.232.7329
10027 S. 51st Street, Ste 102
Phoenix, Arizona 85044
www.adamsrite.com