



# 2009 STANDARD PRODUCTS PARTS CATALOG

Portable Fire Extinguishers and Restaurant Fire Suppression Systems



TABLE OF CONTENTS

**STORED PRESSURE FIRE EXTINGUISHERS, HANGERS, AND BRACKETS**

SENTRY Dry Chemical Extinguishers . . . . . 2-3  
 SENTRY Carbon Dioxide Extinguishers . . . . . 4  
 CLEANGUARD Extinguishers . . . . . 5  
 K-GUARD Extinguishers . . . . . 6  
 SENTRY Water Extinguisher . . . . . 6  
 Fire Extinguisher Cross-Reference . . . . . 7  
 Stored-Pressure Extinguisher Hangers & Brackets. . . 8-11

**STORED PRESSURE FIRE EXTINGUISHER – REPLACEMENT PARTS**

SENTRY Dry Chemical Extinguishers . . . . . 12-18  
 SENTRY Industrial Dry Chemical Extinguishers . . . 19-20  
 SENTRY Carbon Dioxide Extinguishers. . . . . 21-24  
 CLEANGUARD Extinguishers . . . . . 25-26  
 K-GUARD Extinguishers . . . . . 27  
 SENTRY Water Extinguisher . . . . . 28

**RED LINE EXTINGUISHER HANGERS/ BRACKETS & REPLACEMENT PARTS**

Hangers . . . . . 29  
 Model 5 Bracket. . . . . 29  
 RED LINE Extinguishers  
 and SPILL-GUN Applicators Descriptions . . . . . 30  
 Model 10-20-30 Brackets . . . . . 31-32  
 Model 10-20-30 Bracket Replacement Parts . . . . 33-35

**RED LINE EXTINGUISHER – REPLACEMENT PARTS**

Model 5 . . . . . 36  
 Models 10-20-30 C & D . . . . . 37  
 Models 10 E & G . . . . . 38-39  
 Models 20 E & G . . . . . 40-41  
 Models 30 E & G . . . . . 42-43

**RED LINE WHEELED EXTINGUISHER – REPLACEMENT PARTS**

Model 150/350-D Dry Chemical . . . . . 44-45  
 Model AR-33-D Foam . . . . . 46  
 Model 50/100-D-1 Carbon Dioxide . . . . . 47-48  
 Model 50/100-D Carbon Dioxide . . . . . 49  
 Model 150/350-C Dry Chemical (Post-1988) . . . . 50-51  
 Model 150/350-C Dry Chemical (Pre-1989) . . . . 52-55  
 Wheel Assemblies . . . . . 56-57  
 Nitrogen Cylinder Valves and Actuator . . . . . 58  
 Nozzle Identification. . . . . 59  
 Regulator Replacement Kit Installation . . . . . 60-61

**SPILL-GUN APPLICATORS**

SPILL-GUN Applicators  
 Models SC-30A, SC-30-C, SC-30-S. . . . . 62-63

**EXTINGUISHER NAMEPLATES/MANUALS/ADAPTORS**

Cartridge-Operated and Wheeled Nameplates . . . . 64  
 Stored Pressure Nameplates . . . . . 65  
 Manuals/Forms . . . . . 65  
 Hydrostatic Test Adaptors . . . . . 65

**EXTINGUISHING AGENTS**

Dry Chemicals and Powders . . . . . 66-67  
 Spill Agents . . . . . 68  
 Liquid Agents . . . . . 69

**RESTAURANT SYSTEM PARTS AND ACCESSORIES**

Gas Cartridges . . . . . 70  
 Nozzles and Accessories . . . . . 71-73  
 Pulley Elbows and Tee . . . . . 74  
 Mechanical Sealing Adaptors . . . . . 74  
 Detectors and Fusible Links . . . . . 75-76  
 Gas Shut-Off Equipment. . . . . 77-78  
 Pull Station and Accessories . . . . . 79  
 Wire Rope . . . . . 79  
 Flexible Conduit . . . . . 79  
 Electrical Switches . . . . . 80  
 Spare Parts and Accessories . . . . . 81-83  
 Manuals/Form . . . . . 84

SENTRY® DRY CHEMICAL EXTINGUISHERS



**SENTRY® DRY CHEMICAL EXTINGUISHERS** are designed for the protection of light, ordinary, and extra high hazards. They are suitable for both industrial and commercial fire protection needs. Extinguishing agents are available for fires involving Class A (ordinary combustibles), Class B (flammable liquids and gases), and Class C (energized electrical equipment) materials.

- Fits most extinguisher cabinets
- Six-year limited warranty
- Seamless, welded steel shell is 100% hydrotested to 600 psi (41 bar)
- 100% leak tested via mass spectrometry
- Tough polyester-urethane powder paint
- Extruded aluminum valve, plated steel valve stem, steel pick-up tube, and plated steel ring pin
- Glare-resistant Mylar nameplate with bar-coded model and serial number
- Listed/Approved by UL, ULC, and USCG
- Color-coded pressure gauge
- Nearly 1000 distributors worldwide
- Standard CO<sub>2</sub> hanger hook

Model	A02VB*	AA05 AA05VB*	A05 A05VB*	PK05	C05
Bracket Part No.	24610	429146	429146	429146	429146
Agent Capacity	2 1/2 lb (1.13 kg) FORAY	5 lb (2.27 kg) FORAY	5 lb (2.27 kg) FORAY	5 lb (2.27 kg) Purple-K	5 lb (2.27 kg) PLUS-FIFTY C
UL Rating	1-A: 10-B:C	3-A: 40-B:C	3-A: 10-B:C	60-B:C	40-B:C
ULC Rating	1-A: 10-B:C	1-A: 10-B:C	3-A: 10-B:C	60-B:C	40-B:C
Agent Flow Rate					
lb/sec (kg/sec)	0.31 (0.14)	0.38 (0.17)	0.34 (0.15)	0.30 (0.14)	0.35 (0.16)
Charged Weight (with agent)	5 lb (2.27 kg)	9 lb, 14 oz (4.15 kg)	9 lb, 14 oz (4.15 kg)	9 lb, 14 oz (4.15 kg)	9 lb, 14 oz (4.15 kg)
Dimensions:					
Height:	in. 14 1/4 (mm) (362)	17 (432)	17 (432)	17 (432)	17 (432)
Width:	in. 5 1/2 (mm) (140)	8 1/2 (216)	8 1/2 (216)	8 1/2 (216)	8 1/2 (216)
Depth:	in. 3 3/8 (mm) (86)	4 7/16 (113)	4 7/16 (113)	4 7/16 (113)	4 7/16 (113)

Extinguisher Model No.	Part No.
A02VB* (UL)	429101
A02 VB* (ULC)	429586
AA05 (UL)	429002
AA05 (ULC)	434265
AA05VB* (UL)	429103
AA05VB* (ULC)	434268
A05 (UL)	429001
A05 (ULC)	429587
A05VB* (UL)	429102
A05VB* (ULC)	429588
PK05 (UL)	429008
C05 (UL)	429014

\* VB: Includes Vehicle Bracket



SENTRY® DRY CHEMICAL EXTINGUISHERS



Model	A10H	A10T	PK10	C10	AA20	PK20	C20
Bracket Part No.	30865	417898	30865	30865	30937	30937	30937
Agent Capacity	10 lb (4.54 kg) FORAY	10 lb (4.54 kg) FORAY	10 lb (4.54 kg) Purple-K PLUS-FIFTY C	10 lb (4.54 kg) Purple-K PLUS-FIFTY C	20 lb (9.07 kg) FORAY	20 lb (9.07 kg) Purple-K PLUS-FIFTY C	20 lb (9.07 kg) Purple-K PLUS-FIFTY C
UL Rating	10-A: 60-B:C	4-A: 60-B:C	80-B:C	40-B:C	20-A: 120-B:C	120-B:C	80-B:C
ULC Rating	4-A: 60-B:C	—	80-B:C	40-B:C	10-A: 120-B:C	120-B:C	80-B:C
Agent Flow Rate							
lb/sec (kg/sec)	0.52 (0.24)	0.52 (0.24)	0.48 (0.22)	0.65 (0.29)	0.76 (0.34)	0.68 (0.31)	0.99 (0.45)
Charged Weight (with agent)	17 lb (8.13 kg)	17 lb (8.13 kg)	17 lb (8.13 kg)	17 lb (8.13 kg)	32 lb (14.60 kg)	32 lb (14.60 kg)	32 lb (14.60 kg)
Dimensions:							
Height: in. (mm)	18 1/2 (470)	21 3/4 (553)	18 1/2 (470)	18 1/2 (470)	22 1/2 (572)	22 1/2 (572)	22 1/2 (572)
Width: in. (mm)	8 1/2 (216)	8 1/2 (216)	8 1/2 (216)	8 1/2 (216)	9 1/2 (241)	9 1/2 (241)	9 1/2 (241)
Depth: in. (mm)	5 27/32 (148)	5 (127)	5 27/32 (148)	5 27/32 (148)	7 7/32 (183)	7 7/32 (183)	7 7/32 (183)

Extinguisher Model No.	Part No.
A10H (UL)	429003
A10H (ULC)	429589
A10T (UL)	429004
PK10 (UL)	429009
PK10 (ULC)	434273
C10 (UL)	429015
AA20 (UL)	429006
AA20 (ULC)	429590
PK20 (UL)	429011
PK20 (ULC)	434276
C20 (UL)	429017

INDUSTRIAL DRY CHEMICAL EXTINGUISHERS

Extinguisher Model No.	Part No.
A10I	429005
A20I	429007
PK10I	429010
PK20I	429012

SENTRY® CARBON DIOXIDE EXTINGUISHERS



**SENTRY® CARBON DIOXIDE EXTINGUISHERS** are designed to protect areas where Class B (flammable liquids and gases) or Class C (energized electrical equipment) fires could occur. They may be used indoors where winds and drafts do not affect discharge or where a clean extinguishing agent is required.

- Nonconductive, noncorrosive clean extinguishing agent
- Low carbon steel shell resists impact, vibration, and corrosion
- Aluminum shell version is sturdy, yet lightweight
- UL, ULC listed and USGC approved (up to 15 lb)
- Six-year limited warranty

Model	CD05-1 (steel)	CD05A-1 (aluminum)	CD10-1 (steel)	CD10A-1 (aluminum)
Bracket Part No.	25419	25419	79456	79456
Agent Capacity	5 lb (2.3 kg)	5 lb (2.3 kg)	10 lb (4.6 kg)	10 lb (4.6 kg)
UL Rating	5-B:C	5-B:C	10-B:C	10-B:C
ULC Rating	—	5-B:C	—	10-B:C
Charged Weight (with agent)	16 3/4 lb (7.6 kg)	13 1/2 lb (6.1 kg)	34 lb (15.4 kg)	26 3/4 lb (12.1 kg)

Dimensions

Height:	in. 18 1/2 (mm) (470)	18 1/4 (464)	23 1/4 (591)	20 3/4 (527)
Width:	in. 7 3/8 (mm) (187)	7 1/4 (184)	10 7/8 (276)	10 15/16 (278)
Depth:	in. 6 5/16 (mm) (160)	5 11/32 (135)	6 7/8 (175)	7 (178)

Extinguisher Model No.	Part No.
CD05-1 (UL)	431569
CD05A-1 (UL)	431553
CD05A-1 (ULC)	431557
CD10-1 (UL)	431570
CD10A-1 (UL)	431554
CD10A-1 (ULC)	431558

Model	CD15-1 (steel)	CD15A-1 (aluminum)	CD20-1 (steel)	CD20A-1 (aluminum)
Bracket Part No.	79456	79456	25420	25420
Agent Capacity	15 lb (6.9 kg)	15 lb (6.9 kg)	20 lb (9.2 kg)	20 lb (9.2 kg)
UL Rating	10-B:C	10-B:C	10-B:C	10-B:C
ULC Rating	—	10-B:C	—	10-B:C
Charged Weight (with agent)	44 1/2 lb (20.2 kg)	35 3/4 lb (16.2 kg)	53 1/2 lb (24.3 kg)	46 3/4 lb (21.2 kg)

Dimensions:

Height:	in. 28 (mm) (711)	27 1/4 (692)	28 (711)	27 1/2 (699)
Width:	in. 10 7/8 (mm) (276)	10 15/16 (278)	11 7/8 (302)	12 (305)
Depth:	in. 6 7/8 (mm) (175)	7 (178)	7 29/32 (201)	8 3/32 (206)

Extinguisher Model No.	Part No.
CD15-1 (UL)	431571
CD15A-1 (UL)	431555
CD15A-1 (ULC)	431559
CD20-1 (UL)	431572
CD20A-1 (UL)	431556
CD20A-1 (ULC)	431560

CLEANGUARD® EXTINGUISHERS



**CLEANGUARD® EXTINGUISHERS** are designed for protection of light, ordinary and extra high hazards. These compact and portable extinguishers are suited for both industrial and commercial fire protection needs. Typical applications include:

- Computer rooms
- Essential communication areas
- Irreplaceable data, document, and art storage rooms
- Laboratories
- Sensitive/expensive equipment
- Non-magnetic (NM) unit now available

Model	FE02VB	FE05	FE09	FE13	FE13NM
Bracket Part No.	24610 (Included)	429146	422737	30937	—
Agent Capacity	2.5 lb (1.1 kg)	4.75 lb (2.2 kg)	9.5 lb (4.3 kg)	13.25 lb (6 kg)	13.25 lb (6 kg)
Charged Weight	5.0 lb (2.3 kg)	9.5 lb (4.3 kg)	21.81 lb (4.65 kg)	25.63 lb (11.63 kg)	20.00 lb (9.1 kg)
Agent Flow Rate (per sec.)	0.30 lb (0.14 kg)	0.60 lb (0.27 kg)	1.15 lb (0.52 kg)	1.12 lb (0.51 kg)	1.12 lb (0.51 kg)
Dimensions					
Height: in. (mm)	14 1/4 (362)	17 (432)	18 3/4 (476)	22 1/2 (572)	25 1/2 (648)
Width: in. (mm)	5 3/4 (146)	8 1/2 (216)	9 (229)	9 1/2 (241)	9 (229)
Depth: in. (mm)	3 3/8 (86)	4 7/16 (113)	7 (178)	7 (178)	7 (178)

Extinguisher Model No.	Part No.
FE02VB (UL)	429107
FE02VB (ULC)	429596
FE05 (UL)	429020
FE05 (ULC)	429597
FE09 (UL)	429021
FE09 (ULC)	429598
FE13 (UL)	429022
FE13 (ULC)	429599
FE13NM (UL)	432893
FE13NM (ULC)	433214

K-GUARD® EXTINGUISHERS



K01-2

The **K-GUARD® EXTINGUISHER** is an attractive, easy to use and maintain, stainless steel extinguisher for use in K-Class kitchen applications.

<b>Model No.</b>	<b>K01-2</b>
UL Rating	2-A:K
ULC Rating	1-A:K
Capacity	1.6 gal (6 L) of ANSULEX® Low pH Agent
Dimensions:	
Height:	21 1/4 in. (540 mm)
Width:	9 1/2 in. (241 mm)
Depth:	7 in. (178 mm)

Extinguisher	
Model No.	Part No.
K01-2 (UL)	432843
K01-2 (ULC)	432848

SENTRY® WATER EXTINGUISHER



W02-1

**SENTRY® WATER EXTINGUISHER** is designed to protect all types of areas containing Class A (ordinary combustibles) fire hazards except those with Class C (energized electrical equipment) potential as water will conduct electricity. Stainless steel butt weld construction for long life and corrosion resistance. UL listed.

- Color-coded pressure gauge
- Six-year limited warranty

<b>Model</b>	<b>W02-1</b>
Agent Capacity	2 1/2 gal (9.46 L)
UL Rating	2-A
Charged Weight (with agent)	28 lb (12.7 kg)
Dimensions:	
Height:	25 1/2 in. (647 mm)
Width:	9 in. (229 mm)
Depth:	7 in. (178 mm)

Extinguisher	
Model No.	Part No.
W02-1 (UL)	430847

ANSUL FIRE EXTINGUISHER CROSS-REFERENCE

PREVIOUS MODELS		NEW MODELS		UL RATING	MULTIPURPOSE/ VEHICLE BRACKET Part No.
Model No.	Part No.	Model No.	Part No.		
<b>SENTRY® Extinguishers with FORAY® Dry Chemical</b>					
SY-0216 w/brkt	79735	A02VB	429101	1-A:10-B:C	24610
SY-0516	415205	AA05	429002	3-A:40-B:C	429146
SY-0516 w/brkt	415899	AA05VB	429103	3-A:40-B:C	429146
SY-0517	415916	A05	429001	3-A:10-B:C	429146
SY-0517 w/brkt	416010	A05VB	429102	3-A:10-B:C	429146
SY-1014	32871	A10H	429003	10-A:60-B:C	30865
SY-1015	417867	A10T	429004	4-A:60-B:C	417898
SY-2014	32932	AA20	429006	20-A:120-B:C	30937
<b>SENTRY® Extinguishers with Purple-K Dry Chemical</b>					
SY-0521	416464	PK05	429008	60-B:C	429146
SY-1024	32926	PK10	429009	80-B:C	30865
SY-2024	32937	PK20	429011	120-B:C	30937
<b>SENTRY® Extinguishers with PLUS-FIFTY®C Dry Chemical</b>					
SY-0531	416120	C05	429014	40-B:C	429146
SY-1034	32929	C10	429015	40-B:C	30865
SY-2034	32940	C20	429017	80-B:C	30937
<b>SENTRY® Carbon Dioxide Extinguishers with STEEL Shell</b>					
SY-0571	79406	CD05-1	431569	5-B:C	25419
SY-1071	77895	CD10-1	431570	10-B:C	79456
SY-1571	77896	CD15-1	431571	10-B:C	79456
SY-2071	77897	CD20-1	431572	10-B:C	25420
<b>SENTRY® Carbon Dioxide Extinguishers with ALUMINUM Shell</b>					
SY-0572	79424	CD05A-1	431553	5-B:C	25419
SY-1072	79425	CD10A-1	431554	10-B:C	79456
SY-1572	79426	CD15A-1	431555	10-B:C	79456
SY-2072	79427	CD20A-1	431556	10-B:C	25420
<b>SENTRY® Water Extinguisher</b>					
SY-0262	22346	W02-1	430847	2-A	30937 (Red)
<b>CLEANGUARD® Extinguishers with FE-36™ Agent</b>					
CA-0281 w/brkt	428690	FE02VB	429107	2-B:C	24610
CA-0582	426261	FE05	429020	5-B:C	429146
CA-0981	427009	FE09	429021	1-A:10-B:C	422737
CA-1381	427016	FE13	429022	2-A:10-B:C	30937
<b>K-GUARD® Kitchen-Class Extinguisher</b>					
LA-0191	426018	K01-2	432843 (UL) 432848 (ULC)	2-A:K 1-A:K	

**LEGEND (Prefix):**

A FORAY Dry Chemical  
 AA FORAY Industrial Grade Dry Chemical  
 PK Purple-K Dry Chemical  
 C PLUS-FIFTY®C Dry Chemical

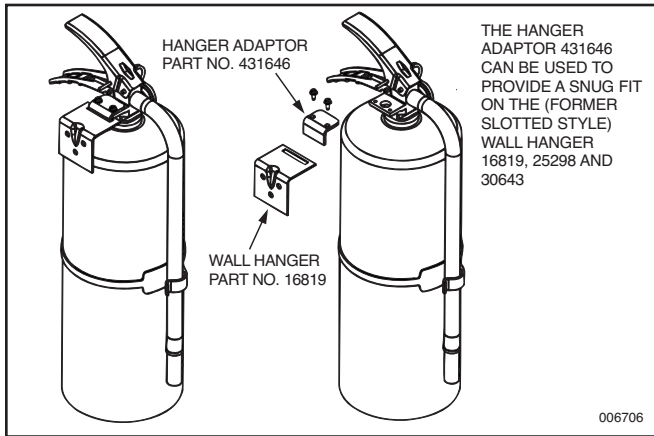
CD Carbon Dioxide  
 W Water  
 K K-GUARD Extinguisher  
 FE FE-36 Agent

**LEGEND (Suffix)**

VB Vehicle Bracket Included  
 T Tall  
 A Aluminum Shell  
 I Industrial

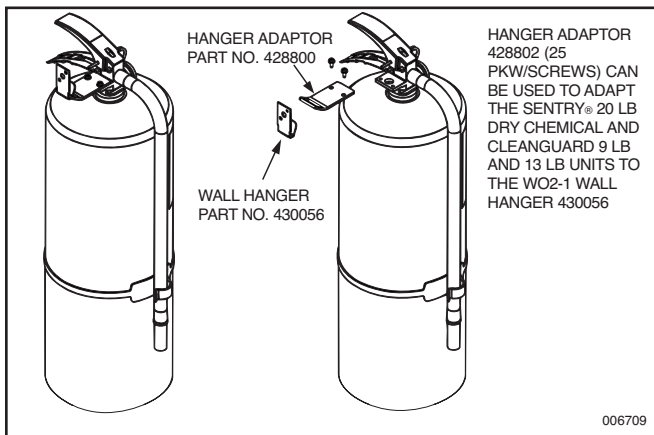
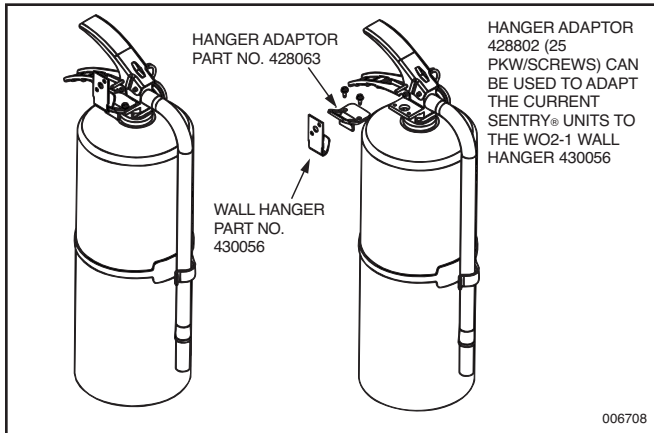
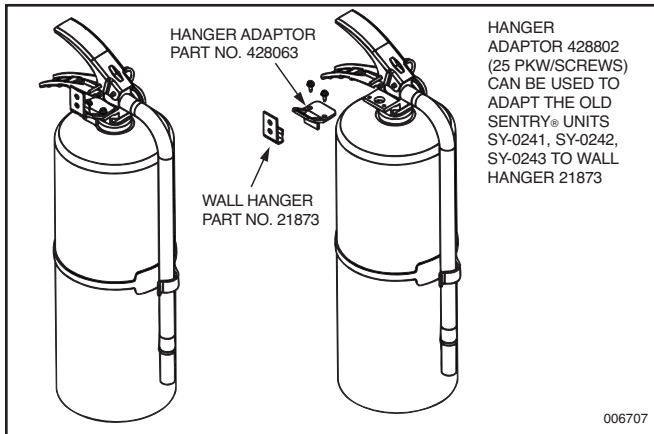


SENTRY® EXTINGUISHER HANGER ADAPTOR IMPROVEMENT



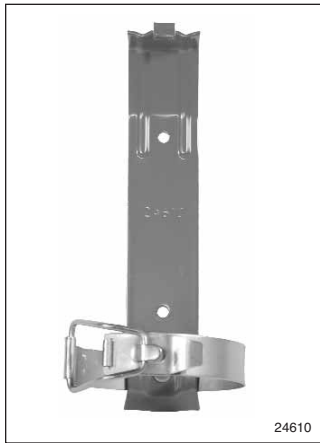
The **SENTRY® WALL ADAPTOR** holds the extinguisher tighter to the wall. The hanger adaptor (Part No. 431646) is available in packages of 25 (includes 50 screws).

We understand that with the array of wall hangers, hanger adaptors and extinguisher valves in the market; choosing the right parts can be confusing. The drawings provide examples of the various wall hanger and adaptors available through ANSUL.



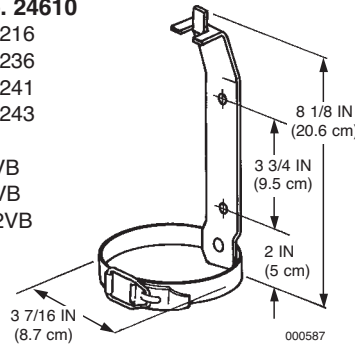
SENTRY® DRY CHEMICAL & CLEANGUARD® EXTINGUISHER BRACKETS

Brackets are available for each SENTRY hand portable extinguisher. Certain applications require extinguishers to be mounted in brackets for safety and restraint.



**Part No. 24610**

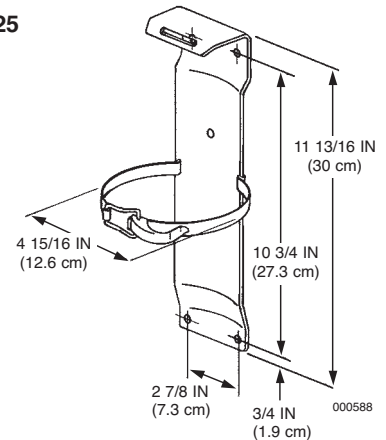
- SY-0216
- SY-0236
- SY-0241
- SY-0243
- A02
- A02VB
- C02VB
- FE02VB



HOLE SIZE: 1/8 IN (0.3 cm)

**Part No. 31025**

- SY-0513
- SY-0514
- SY-0613
- SY-0614
- SY-0621
- SY-0622
- SY-0623
- SY-0624
- SY-0631
- SY-0634

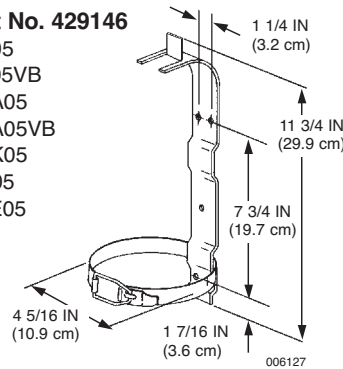


HOLE SIZE: 1/8 IN (0.3 cm)



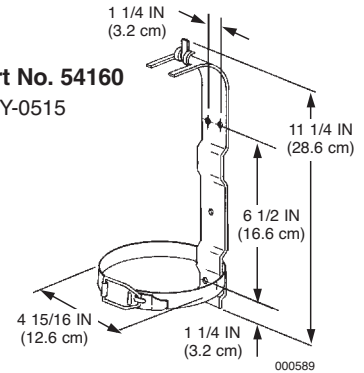
**Part No. 429146**

- A05
- A05VB
- AA05
- AA05VB
- PK05
- C05
- FE05



**Part No. 54160**

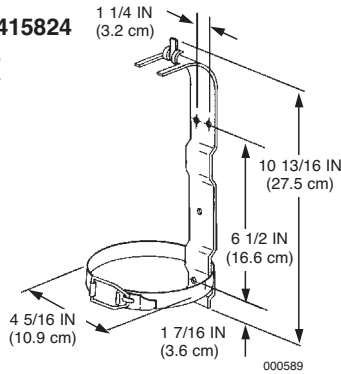
- SY-0515



HOLE SIZE: 1/4 IN (0.6 cm)

**Part No. 415824**

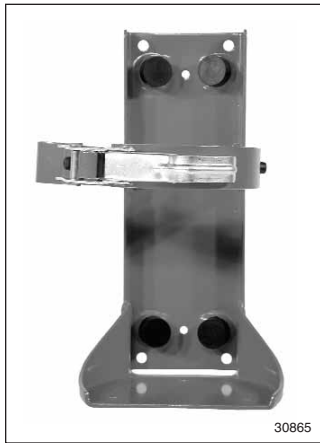
- SY-0516
- SY-0517
- SY-0521
- SY-0531



HOLE SIZE: 1/4 IN (0.6 cm)

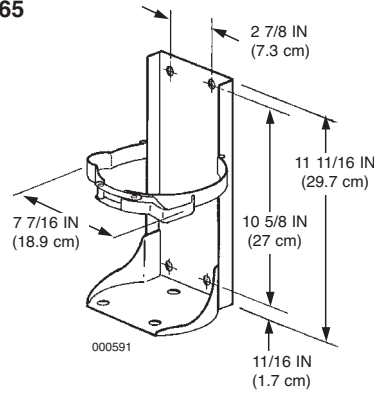
Bracket Part No.
24610
31025 (while supplies last)
429146
54160 (while supplies last)
415824

SENTRY® DRY CHEMICAL, CO<sub>2</sub> & CLEANGUARD® EXTINGUISHER BRACKETS



**Part No. 30865**

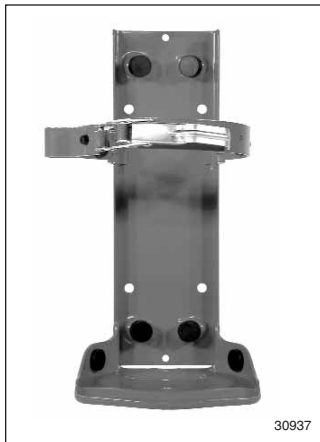
- SY-1013
- SY-1014
- SY-1023
- SY-1024
- SY-1033
- SY-1034
- SY-1441
- A10H
- A10I
- PK10
- PK10I
- C10
- C10I



HOLE SIZE: 3/8 IN (1 cm)

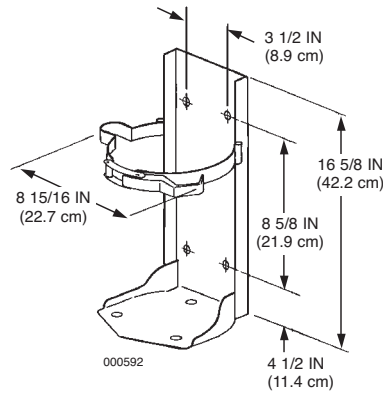
**Bracket  
Part No.**

30865
30937
25419
79456



**Part No. 30937**

- SY-2013
- SY-2014
- SY-2023
- SY-2024
- SY-2033
- SY-2034
- SY-1741
- CA-1481
- AA20
- A20I
- PK20
- PK20I
- C20
- C20I
- FE13
- W02-1

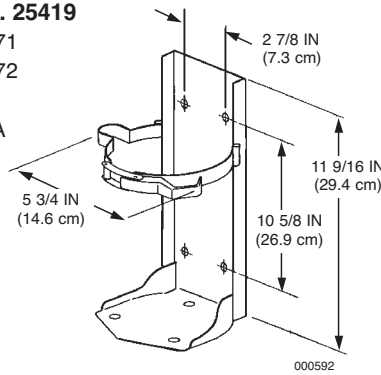


HOLE SIZE: 7/16 IN (1.1 cm)



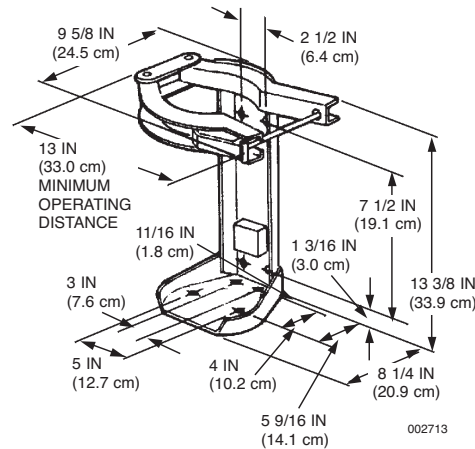
**Part No. 25419**

- SY-0571
- SY-0572
- CD05
- CD05A



**Part No. 79456**

- SY-1071
- SY-1072
- SY-1571
- SY-1572
- CD10
- CD15
- CD10A
- CD15A

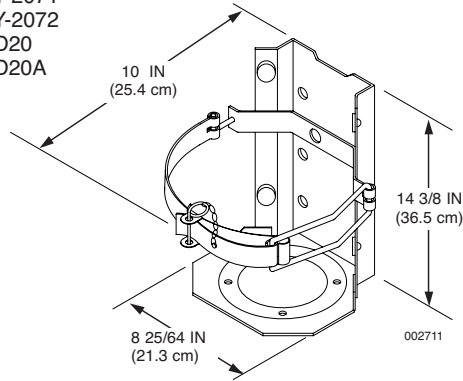


SENTRY® DRY CHEMICAL & CLEANGUARD® EXTINGUISHER BRACKETS



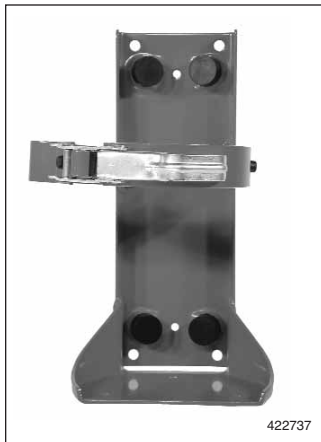
**Part No. 25420**

- SY-2071
- SY-2072
- CD20
- CD20A



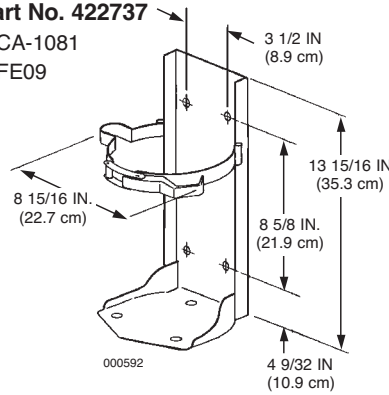
**Bracket  
Part No.**

- |        |
|--------|
| 25420  |
| 422737 |
| 417898 |



**Part No. 422737**

- CA-1081
- FE09

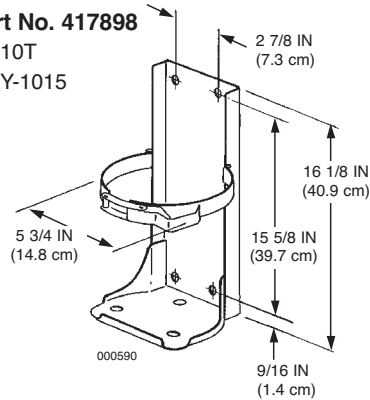


HOLE SIZE: 7/16 IN (1.1 cm)



**Part No. 417898**

- A10T
- SY-1015



HOLE SIZE: 3/8 IN (1 cm)

SENTRY® DRY CHEMICAL FIRE EXTINGUISHER PARTS

MODELS A02, A02VB, C02VB

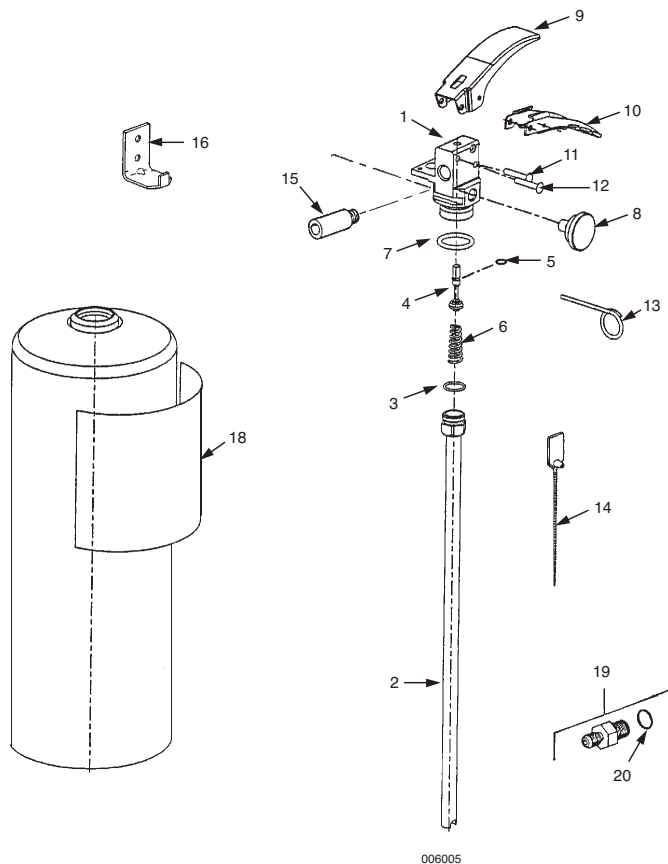
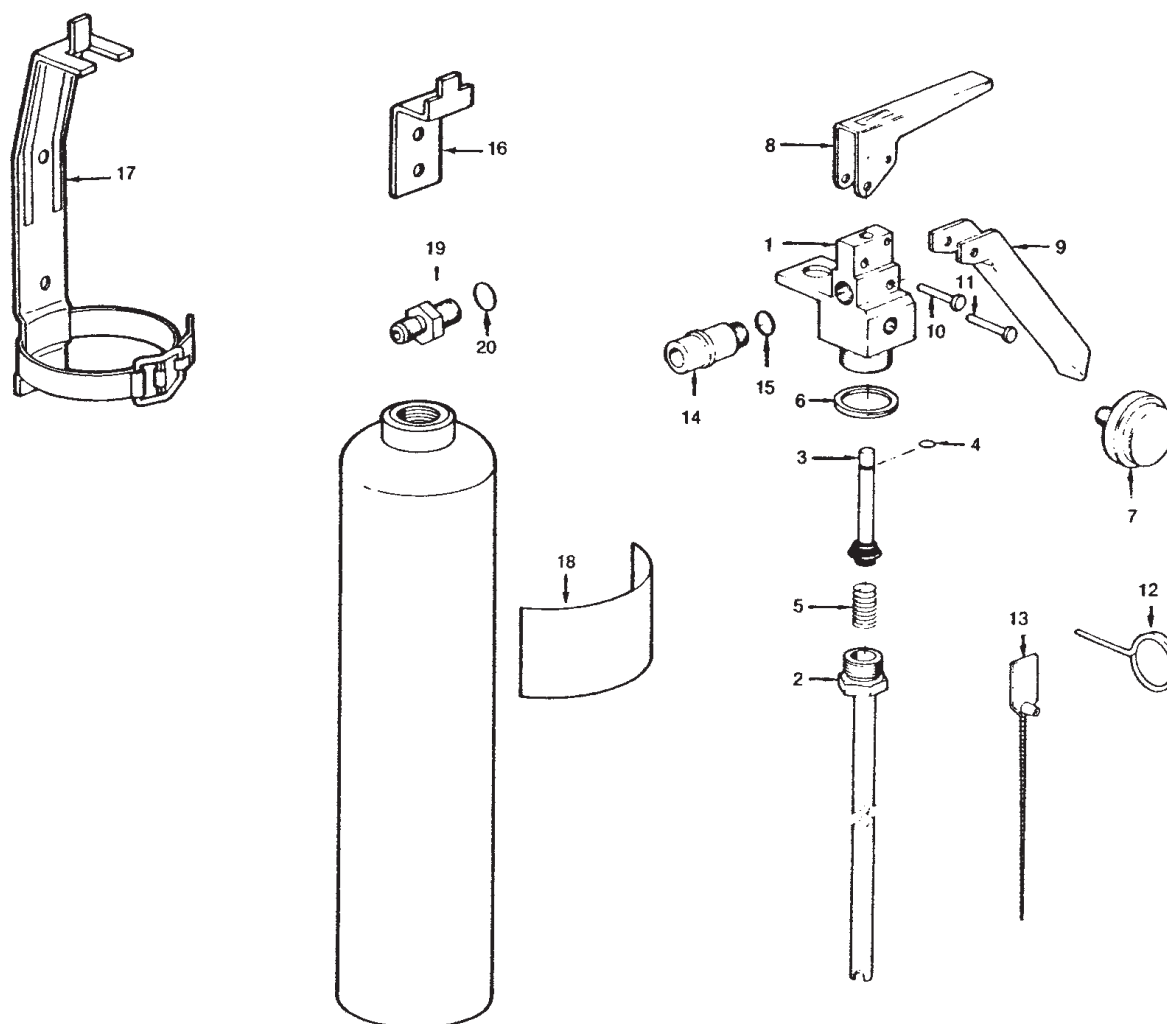


Fig. No.	Description	Part No.
—	Valve Assembly	429083
1	Valve Body, Machined	428062
2	Tube, Pick-Up	428795
3	O-Ring (Pick-up Tube)	76076
4	Valve Stem Assembly	429099
5	O-Ring	11873
6	Spring	415565
7	O-Ring	428327
8	Gauge, Pressure	56776
9	Lever, Operating	429096
10	Handle, Carrying	429097
11	Rivet, Operating Lever	428130
12	Rivet, Carrying Handle	428130
13	Pull Pin (Ring Pin)	16235
14	Seal, Visual Inspection	25940
15	Nozzle Tip Assembly, A02, A02VB	428269
15	Nozzle Tip Assembly, C02VB	428270
16	Hanger Hook, A02	21873
17	Bracket Assembly, A02VB, C02VB	24610
18	Nameplate, Replacement w/o UL/ULC	Pg. 65
19	Adaptor Assembly, Recharge	429642
20	O-Ring	57744

N/A = Not Available



SENTRY® DRY CHEMICAL FIRE EXTINGUISHER PARTS

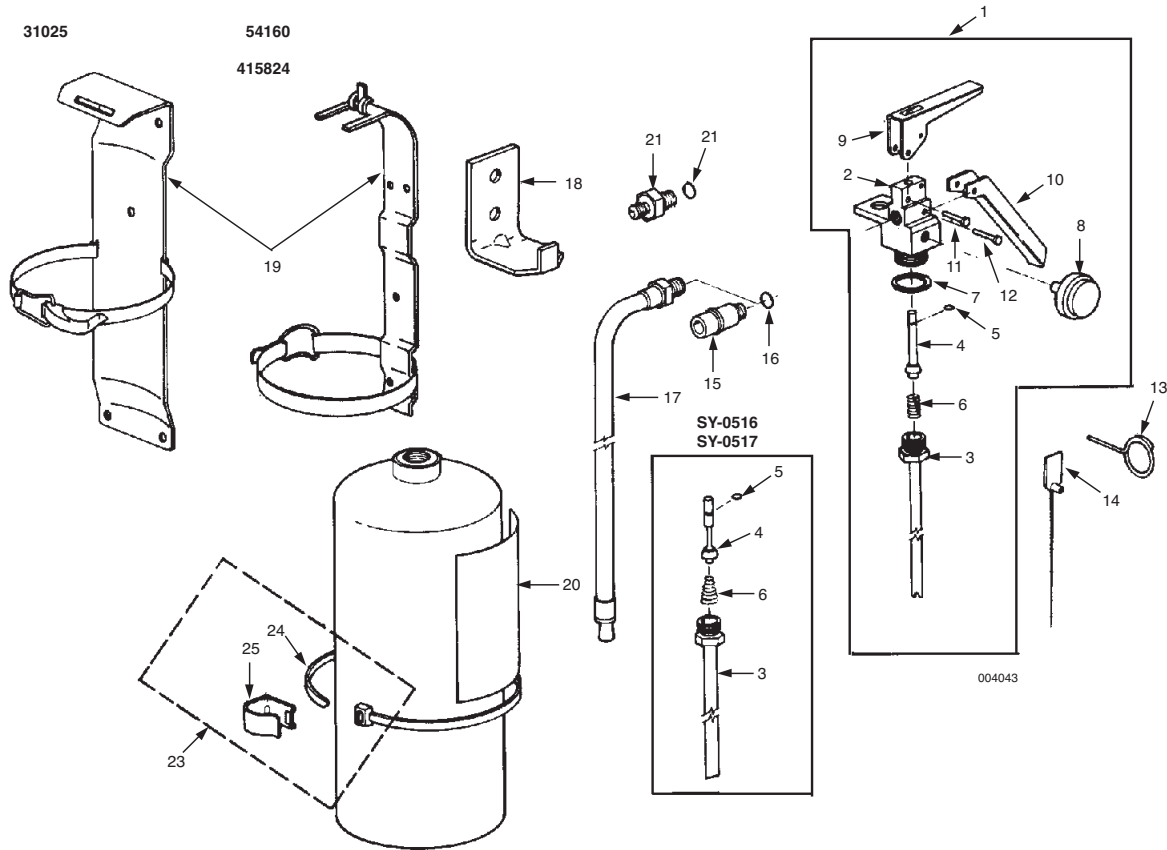


MODELS SY-0212, SY-0214, SY-0215, SY-0216, SY-0236

Fig. No.	Description	Part No.	Fig. No.	Description	Part No.
-	Valve Assembly, SY-0212, 0214	24953	10	Rivet, Operating Lever, Aluminum	25719
-	Valve Assembly, SY-0215	68194	11	Rivet, Carrying Handle, Aluminum	25720
-	Valve Assembly, SY-0216, 0236	70223	12	Pull Pin (Ring Pin)	16235
1	Valve Body, Machined, SY-0212, 0214, 0215	32575	13	Seal, Visual Inspection	25940
1	Valve Body, Machined, SY-0216, 0236	79117	14	Nozzle Tip Assembly, SY-0212, 0214, 0215	27099
2	Tube, Pick-Up, SY-0212, 0214	21892	14	Nozzle Tip Assembly, SY-0216	27099
2	Tube, Pick-Up, SY-0215	68186	14	Nozzle Tip Assembly, SY-0236	78117
2	Tube, Pick-Up, SY-0216, 0236	79123	15	O-Ring, Nozzle	16047
3	Valve Stem Assembly (Metal)	54227	16	Hanger Hook, Except SY-0212, 0214	21873
4	O-Ring	11873	17	Bracket Assembly, Except SY-0215	24610
5	Spring	25702	17	Bracket Assembly, SY-0215	68309
6	Quad Ring	79122	18	Nameplate, Oper & Maint w/o UL/ULC	Pg. 65
7	Gauge, Pressure	56776	19	Adaptor Assembly, Recharge	25743
8	Lever, Operating, Aluminum	68169	20	O-Ring	25791
9	Handle, Carrying, Aluminum	79119	-	Inspection Record Tag (Not Shown)	2364

N/A = Not Available

SENTRY® DRY CHEMICAL FIRE EXTINGUISHER PARTS



MODELS SY-0513, SY-0514, SY-0515, SY-0516, SY-0517, SY-0521, SY-0531, SY-0613, SY-0614, SY-0623, SY-0624, SY-0633, SY-0635

Fig. No.	Description	Part No.
1	Valve Assembly, SY-0513, 0514	N/A
1	Valve Assembly, SY-0515	N/A
1	Valve Assembly, SY-0516, 0517, 0521, 0531	N/A
2	Valve Body, Machined, SY-0513, 0514, 0613, 0614, 0623, 0624, 0633, 0635	N/A
2	Valve Body, Machined, SY-0515	N/A
2	Valve Body, Machined, SY-0516, 0517, 0521, 0531	N/A
3	Tube, Pick-Up, SY-0513, 0514	N/A
3	Tube, Pick-Up, SY-0515	N/A
3	Tube, Pick-Up, SY-0516, 0517, 0521, 0531	N/A
4	Valve Stem Assembly (Metal), SY-0513, 0514, 0613, 0614, 0623, 0624	24489
4	Valve Stem Assembly (Metal), SY-0516, 0517, 0521, 0531	415202
4	Valve Stem Assembly (Metal), SY-0515, 0633, 0635	54227
5	O-Ring (All)	11873
6	Spring, SY-0513, 0514, 0613, 0614, 0623, 0624	29256
6	Spring, SY-0515, 0633, 0635	25702
6	Spring, SY-0516, 0517, 0521, 0531	415565
7	O-Ring, SY-0513, 0514, 0613, 0614, 0623, 0624	16222
7	O-Ring, All Models Except SY-0513, 0514	79122
8	Gauge, Pressure	56776
9	Lever, Operating (Aluminum), SY-0513, 0514	31793
9	Lever, Operating (Aluminum), All Models Except SY-0513, 0514	68169
10	Handle, Carrying (Aluminum), SY-0513, 0514	N/A
10	Handle, Carrying (Aluminum), All Models Except SY-0513, 0514	79119

CONTINUED ON NEXT PAGE

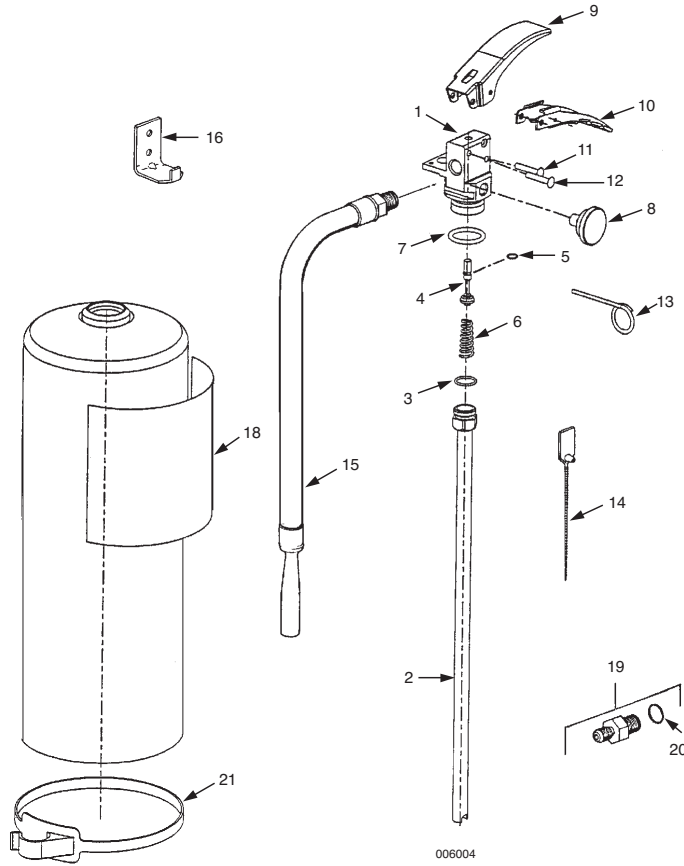
SENTRY® DRY CHEMICAL FIRE EXTINGUISHER PARTS

MODELS SY-0513, SY-0514, SY-0515, SY-0516, SY-0517, SY-0521, SY-0531, SY-0613, SY-0614, SY-0623, SY-0624, SY-0633, SY-0635 (Continued)

Fig. No.	Description	Part No.
11	Rivet, Operating Lever (Aluminum), SY-0513, 0514	17050
11	Rivet, Operating Lever (Aluminum), All Models Except SY-0513, 0514	25719
12	Rivet, Carrying Handle (Aluminum), SY-0513, 0514	17050
12	Rivet, Carrying Handle (Aluminum), All Models Except SY-0513, 0514	25720
13	Pull Pin (Ring Pin)	16235
14	Seal, Visual Inspection	25940
15	Nozzle Tip Assembly, SY-0513, 0514	N/A
15	Nozzle Tip Assembly, SY-0515 w/o Hose	54444
16	O-Ring, Nozzle, SY-0515 w/o Hose	16047
17	Hose & Nozzle Assembly, SY-0515	N/A
17	Hose & Nozzle Assembly, SY-0516	N/A
17	Hose & Nozzle Assembly, SY-0517	N/A
17	Hose & Nozzle Assembly, SY-0521	N/A
17	Hose & Nozzle Assembly, SY-0531	N/A
18	Hanger Hook, SY-0513, 0514	16819
18	Hanger Hook, All Models Except SY-0513, 0514	54405
18	Hanger Hook, SY-0614, 0623, 0624, 0633, 0635	16819
19	Bracket Assembly, SY-0513, 0514 <i>(while supplies last)</i>	31025
19	Bracket Assembly, SY-0515	54160
19	Bracket Assembly, SY-0516, 0517, 0521, 0531	415824
20	Nameplate, Operation & Maintenance w/o UL	Page 65
21	Adaptor Assembly, Recharge, SY-0513, 0514	N/A
21	Adaptor Assembly, Recharge, SY-0516, 0517, 0521, 0531	415894
22	O-Ring, SY-0513, 0514	6263
22	O-Ring, SY-0515	25791
22	O-Ring, SY-0516, 0517, 0521, 0531	28451
23	Hose and Clip Assembly, All Models Except SY-0513, 0514	427995
24	Locking Cable, All Models Except SY-0513, 0514, 0613, 0614, 0623, 0624	30636
25	Clip, All Models Except SY-0513, 0514	427995
-	Inspection Record Tag (Not Shown)	2364

N/A = Not Available

SENTRY® DRY CHEMICAL FIRE EXTINGUISHER PARTS

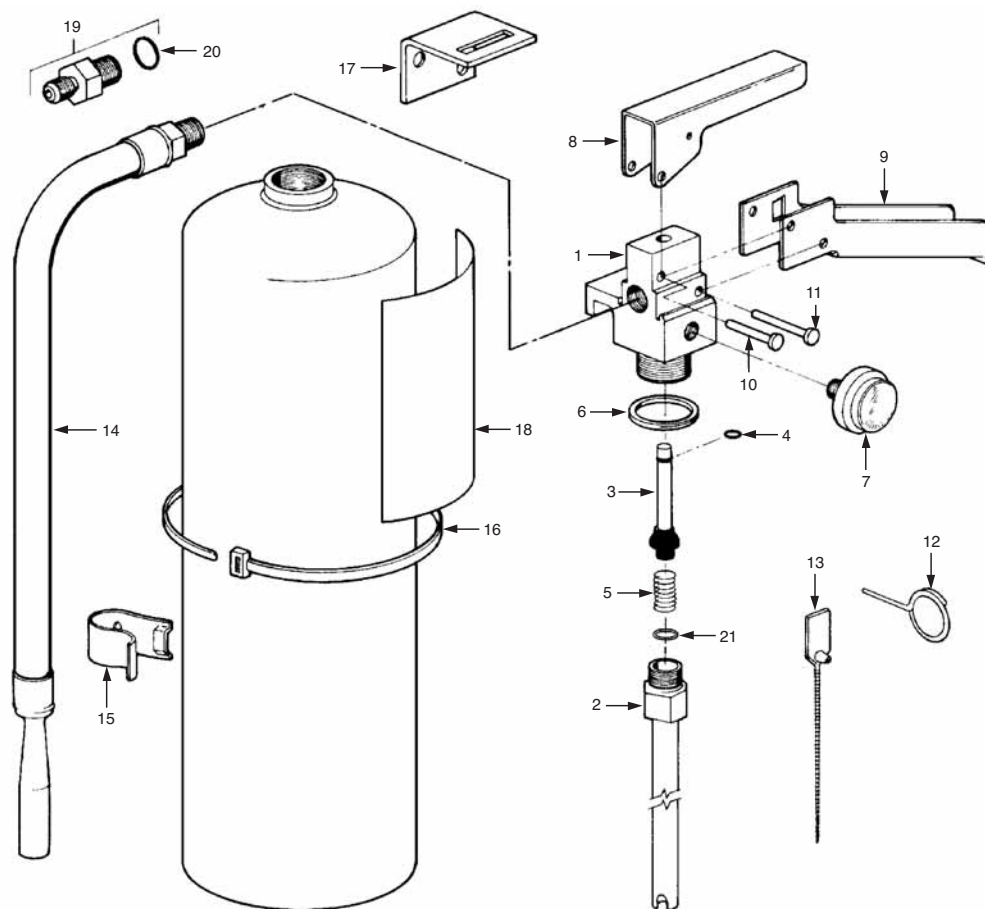


MODELS A05, AA05, PK05, A05VB, AA05VB, C05

Fig. No.	Description	Part No.
—	Valve Assembly	429084
1	Valve Body, Machined	428062
2	Tube, Pick-Up	428796
3	O-Ring (Pick-up Tube)	76076
4	Valve Stem Assembly	429099
5	O-Ring	11873
6	Spring	415565
7	O-Ring	428327
8	Gauge, Pressure	56776
9	Lever, Operating	429096
10	Handle, Carrying	429097
11	Rivet, Operating Lever	428130
12	Rivet, Carrying Handle	428130
13	Pull Pin (Ring Pin)	16235
14	Seal, Visual Inspection	25940
15	Hose & Nozzle Assy, A05	428728
15	Hose & Nozzle Assy, AA05, AA05VB	428729
15	Hose & Nozzle Assy, PK05	428730
15	Hose & Nozzle Assy, C05	428731
16	Hanger Hook, AA05, PK05, A05, C05	54405
17	Bracket Assembly (Not Shown), AA05VB, A05VB	429146
18	Nameplate, Replacement w/o UL/ULC	Pg. 65
19	Adaptor Assembly, Recharge	429642
20	O-Ring	57744
21	Hose Retainer, AA05, PK05, A05, C05	427995

N/A = Not Available

SENTRY® DRY CHEMICAL FIRE EXTINGUISHER PARTS



MODELS SY-1013, SY-1014, SY-1015, SY-1023, SY-1024, SY-1033, SY-1034, SY-2013, SY-2014, SY-2023, SY-2024, SY-2033, SY-2034

Fig. No.	Description	Part No.	Fig. No.	Description	Part No.
-	Valve Assembly, 10 lb Models Except SY-1015	N/A	13	Seal, Visual Inspection	25940
-	Valve Assembly, SY-1015	N/A	14	Hose & Nozzle Assembly, SY-1013, 1014, 1015, 1033, 1034	30615
-	Valve Assembly, 20 lb Models	N/A	14	Hose & Nozzle Assy, SY-1023, 1024	30616
1	Valve Body, Machined	N/A	14	Hose & Nozzle Assy, SY-2033, 2034	30617
2	Tube, Pick-Up, 10 lb Models Except SY-1015	N/A	14	Hose & Nozzle Assy, SY-2023, 2024	30618
2	Tube, Pick-Up, SY-1015	N/A	14	Hose & Nozzle Assy, SY-2013, 2014	417510
2	Tube, Pick-Up, 20 lb Models	N/A	15	Hose Clip	427995
3	Valve Stem Assembly (Metal)	24489	16	Locking Cable, 10 lb Models	30636
4	O-Ring	11873	16	Locking Cable, 20 lb Models	30935
5	Spring	29256	17	Hanger Hook, 10 lb Models Except SY-1015	25298
6	Quad Ring	16222	17	Hanger Hook, SY-1015	16819
7	Gauge, Pressure	56776	17	Hanger Hook, 20 lb Models	30643
8	Lever, Operating	31793	18	Nameplate, Oper & Maint w/o UL	Pg. 65
9	Handle, Carrying	78087	19	Adaptor Assembly, Recharge	16246
10	Rivet, Operating Lever	17050	20	O-Ring	6263
11	Rivet, Carrying Handle	17050	21	O-Ring, Pick-Up Tube (Post 2/98)	423822
12	Pull Pin (Ring Pin)	16235	-	Inspection Record Tag (Not Shown)	2364



SENTRY® DRY CHEMICAL FIRE EXTINGUISHER PARTS

MODELS A10T, A10H, PK10, C10, AA20, PK20, C20

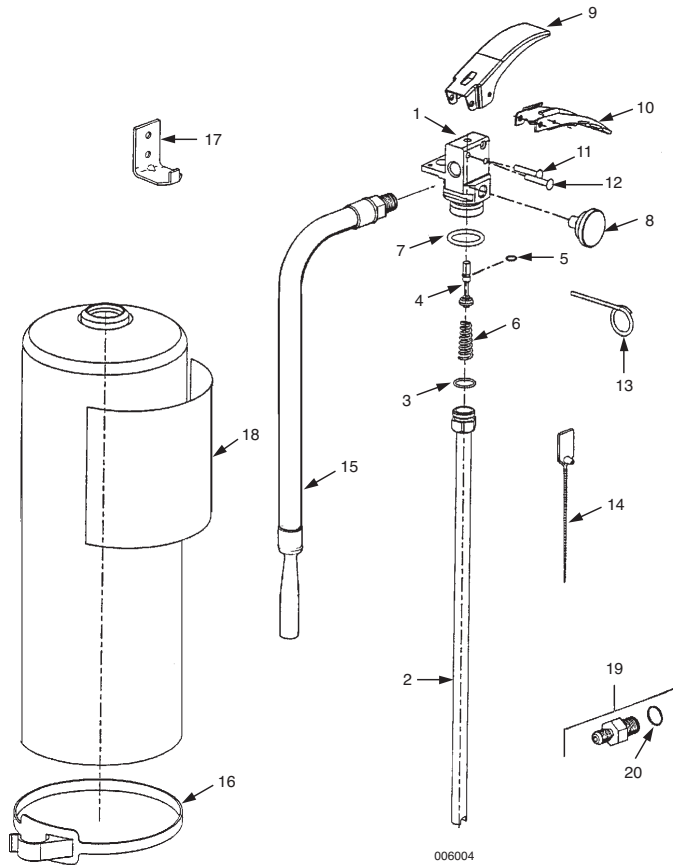
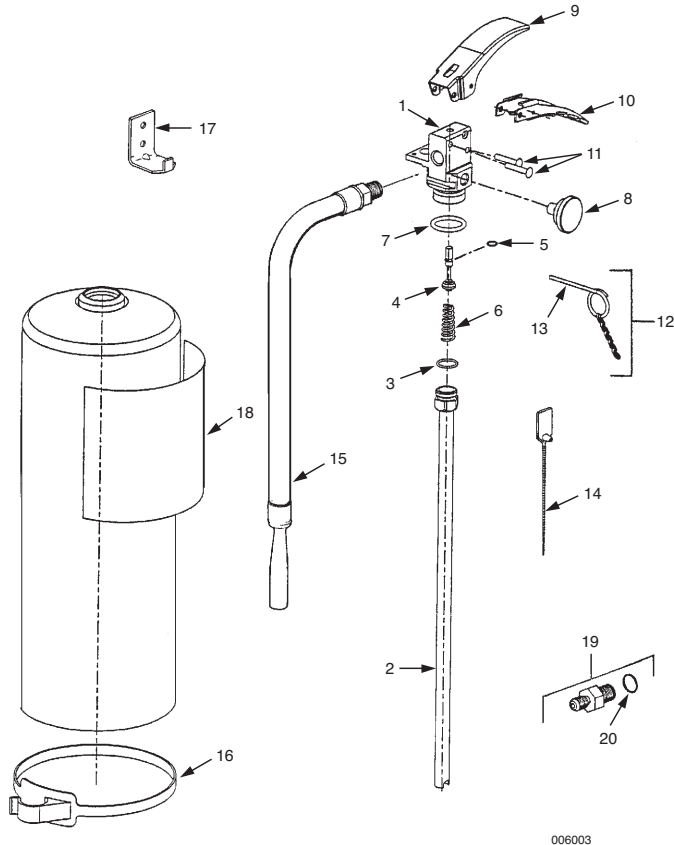


Fig. No.	Description	Part No.
—	Valve Assembly, 10 lb Models except A10T	429085
—	Valve Assembly, A10T	429086
—	Valve Assembly, 20 lb Models	429087
1	Valve Body, Machined	428062
2	Tube, Pick-Up, 10 lb Models except A10T	428797
2	Tube, Pick-Up, A10T	428798
2	Tube, Pick-Up, 20 lb Models	428799
3	O-Ring (Pick-up Tube)	76076
4	Valve Stem Assembly	429099
5	O-Ring	11873
6	Spring	415565
7	O-Ring	428327
8	Gauge, Pressure	56776
9	Lever, Operating	429096
10	Handle, Carrying	429097
11	Rivet, Operating Lever	428130
12	Rivet, Carrying Handle	428130
13	Pull Pin (Ring Pin)	16235
14	Seal, Visual Inspection	25940
15	Hose & Nozzle Assy, A10T, A10H, C10	428732
15	Hose & Nozzle Assembly, PK10	428734
15	Hose & Nozzle Assembly, AA20	428736
15	Hose & Nozzle Assembly, PK20	428738
15	Hose & Nozzle Assembly, C20	428740
16	Hose Retainer	427995
17	Hanger Hook	428223
17	Hanger Hook (A10T)	428222
17	Hanger Hook (AA20)	428224
18	Nameplate, Oper & Maint w/o UL/ULC	Pg. 65
19	Adaptor Assembly, Recharge	429642
20	O-Ring	57744

SENTRY® INDUSTRIAL DRY CHEMICAL FIRE EXTINGUISHER PARTS

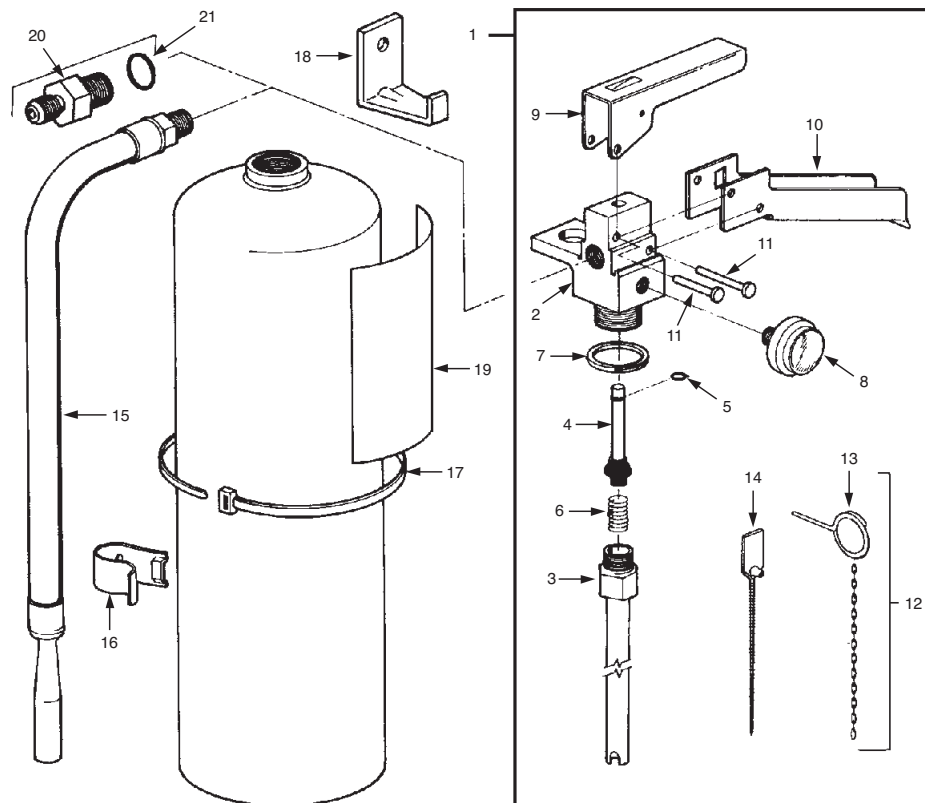


MODELS A10I, PK10I, C10I, A20I, PK20I, C20I

Fig. No.	Description	Part No.
—	Valve Assembly, 10 lb Models	429088
—	Valve Assembly, 20 lb Models	429089
1	Valve Body, Plated	428434
2	Tube, Pick-Up, 10 lb Models	428797
2	Tube, Pick-Up, 20 lb Models	428799
3	O-Ring (Pick-up Tube)	76076
4	Valve Stem Assembly (Brass)	428432
4	Valve Stem with O-Ring Assembly	428431
5	O-Ring	11873
6	Spring	415565
7	O-Ring	428327
8	Gauge, Pressure	56776
9	Lever, Operating	428428
10	Handle, Carrying	428429
11	Rivet	428130
12	Ring Pin and Chain	16234
13	Pull Pin (Ring Pin)	16235
14	Seal, Visual Inspection	25940
15	Hose & Nozzle Assembly, A10I/C10I	428733
15	Hose & Nozzle Assembly, PK10I	428735
15	Hose & Nozzle Assembly, A20I	428737
15	Hose & Nozzle Assembly, PK20I	428739
16	Hose Retainer	427995
17	Hanger Hook	428223
18	Nameplate, Oper & Maint w/o UL	Pg. 65
19	Adaptor Assembly, Recharge	429642
20	O-Ring	57744

006003

SENTRY® INDUSTRIAL DRY CHEMICAL FIRE EXTINGUISHER PARTS



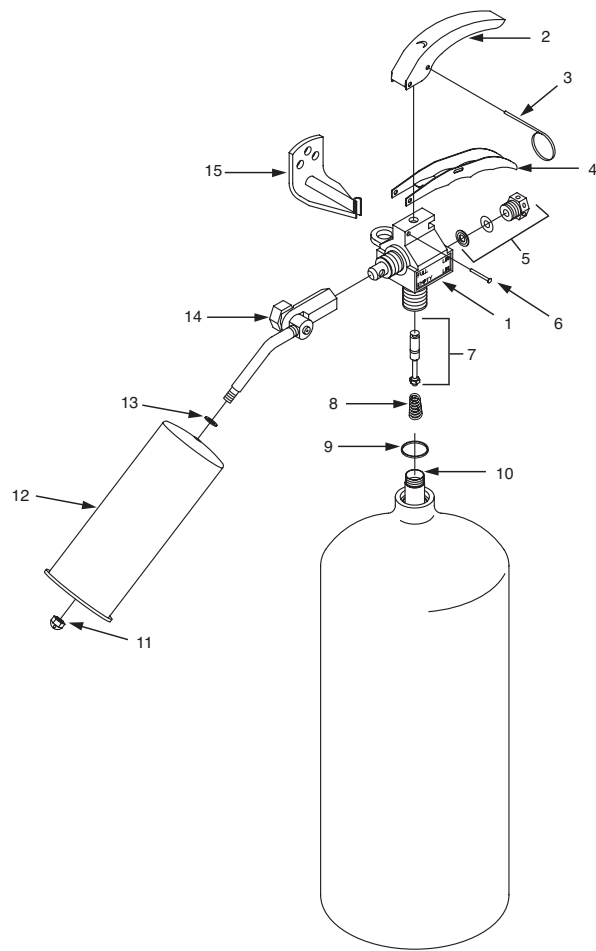
004042

MODELS SY-0614-B, SY-1014-B, SY-1024-B, SY-1034-B, SY-2014-B, SY-2024-B, SY-2034-B

Fig. No.	Description	Part No.	Fig. No.	Description	Part No.
1	Valve Assembly, 6 lb Models	416984	15	Hose & Nozzle Assembly, SY-0614-B	417013
1	Valve Assembly, 10 lb Models	416985	15	Hose & Nozzle Assembly, SY-1014-B, SY-1034-B	417015
1	Valve Assembly, 20 lb Models	416986	15	Hose & Nozzle Assembly, SY-1024-B	417016
2	Valve Body, Machined	416980	15	Hose & Nozzle Assembly, SY-2034-B	417017
3	Tube, Pick-Up	N/A	15	Hose & Nozzle Assembly, SY-2024-B	417018
4	Valve Stem Assembly (Brass)	416033	15	Hose & Nozzle Assembly, SY-2014-B	417738
5	O-Ring	11873	16	Hose Clip	32422
6	Spring	29256	17	Locking Cable, 6 & 10 lb Models	30636
7	Quad Ring	16222	17	Locking Cable, 20 lb Models	30935
8	Gauge, Pressure	56776	18	Hanger Hook, 10 lb Models	76205
9	Lever, Operating	N/A	19	Nameplate, Oper & Maint w/o UL/ULC	Pg. 65
10	Handle, Carrying	415025	20	Adaptor Assembly, Recharge	16246
11	Rivet	N/A	21	O-Ring	6263
12	Ring Pin and Chain	16234	-	Inspection Record Tag (Not Shown)	2364
13	Pull Pin (Ring Pin)	16235			
14	Seal, Visual Inspection	25940			

N/A = Not Available

SENTRY® CARBON DIOXIDE FIRE EXTINGUISHER PARTS



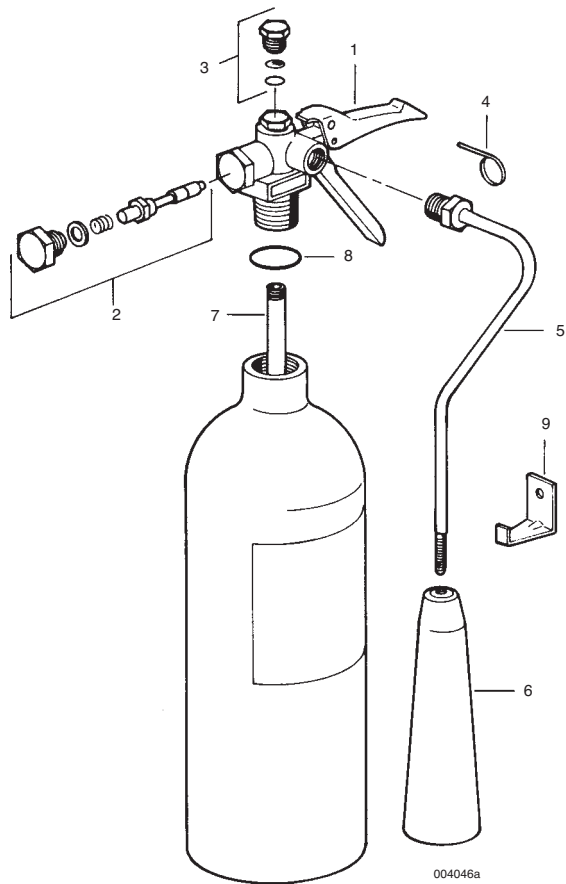
004989

MODELS CD05A-1 (ALUMINUM),  
CD05-1 (STEEL)

Fig. No.	Description	Part No.
-	Valve Assembly, CD05A-1	431000
-	Valve Assembly, CD05-1	431550
1	Valve Body, CD05-1	429239
2	Lever, Black	429163
2	Lever, Chrome	432775
3	Ring Pin	429172
4	Handle, Black	429160
4	Handle, Chrome	432776
5	Safety Plug Assembly w/Disc & Washer	429515
6	Handle Rivet	429165
7	Plunger Assembly	429154
8	Spring	415565
9	O-Ring, Valve to Cylinder	429170
10	Pick-Up Tube	79475
11	Nozzle	429185
12	Horn	429184
13	Nylon Washer	429183
14	Swivel Assembly	429173
15	Hanger Hook	79356
-	Nameplate, Replacement w/o UL	Pg. 65

N/A = Not Available

SENTRY® CARBON DIOXIDE FIRE EXTINGUISHER PARTS



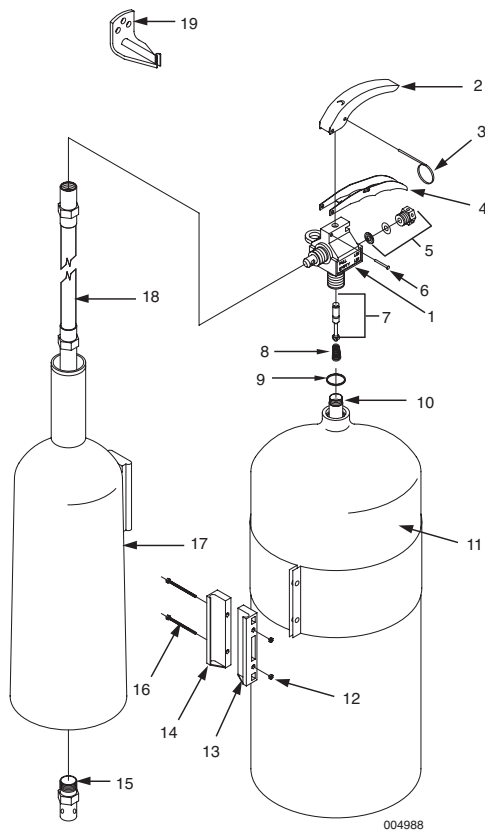
MODELS SY-0571 (STEEL),  
SY-0572 (ALUMINUM)

Fig. No.	Description	Part No.
1	Valve Assembly, SY-0572	79470
1	Valve Assembly, SY-0571	79354
2	Plunger Assembly	79806
3	Safety Plug Assembly with Disc & Washer	79786
4	Ring Pin	16235
5	Discharge Tube Assembly	73861
6	Discharge Horn	79350
7	Tube, Siphon	79475
8	O-Ring, Valve to Cylinder, SY-0572 Only	79805
9	Hanger Hook	79356
10	Visual Seal (Not Shown)	25940
-	Nameplate, Replacement	Pg. 65

N/A = Not Available



SENTRY® CARBON DIOXIDE FIRE EXTINGUISHER PARTS



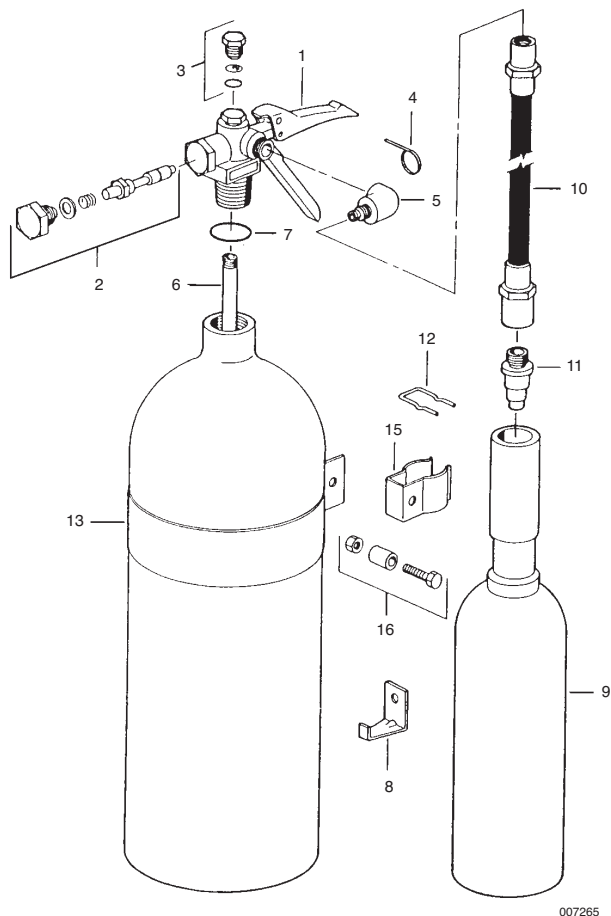
MODELS CD10A-1, CD15A-1, CD20A-1 (ALUMINUM)

MODELS CD10-1, CD15-1, CD20-1 (STEEL)

Fig. No.	Description	Part No.
-	Valve Assembly, Aluminum Models	431000
-	Valve Assembly, Steel Models	431550
1	Valve Body, Aluminum Models	429151
1	Valve Body, Steel Models	429239
2	Lever, Black	429163
2	Lever, Chrome	432775
3	Ring Pin	429172
4	Handle, Black	429160
4	Handle, Chrome	432776
5	Safety Plug w/Disc & Washer	429515
6	Rivet	429165
7	Plunger Assembly	429154
8	Spring	415565
9	O-Ring, Valve to Cylinder, Aluminum Models Only	429170
10	Pick-Up Tube, CD10A-1	431551
10	Pick-Up Tube, CD10-1	431552
10	Pick-Up Tube, 15-20 lb Models	79478
11	Band, 10-15 lb Models	429348
11	Band, 20 lb Models	429349
12	Hex Nut (2 Required)	429202
13	Right Clamp	429199
14	Left Clamp	429200
15	Nozzle Orifice, 10 lb Models	429198
15	Nozzle Orifice, 15 lb Models	429210
15	Nozzle Orifice, 20 lb Models	431621
16	Screw (2 Required)	429201
17	Horn	429197
18	Hose	429196
19	Hanger Hook, 10-15 lb Models	79357
19	Hanger Hook, 20 lb Models	79358
-	Nameplate, Replacement w/o UL	Pg. 65

N/A = Not Available

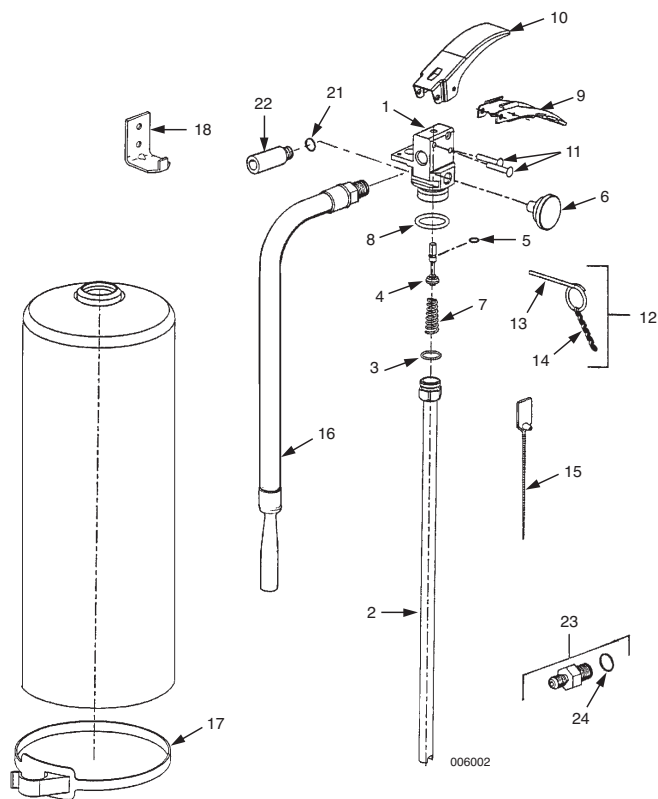
SENTRY® CARBON DIOXIDE FIRE EXTINGUISHER PARTS



MODELS SY-1071, SY-1571, SY-2071 (ALUMINUM)  
 MODELS SY-1072, SY-1572, SY-2072 (STEEL)

Fig. No.	Description	Part No.
1	Valve Assembly, Aluminum Models	79438
1	Valve Assembly, Steel Models	79355
2	Plunger Assembly	79806
3	Safety Plug w/Disc & Washer	79786
4	Ring Pin	16235
5	Elbow	79352
6	Tube, Siphon, SY-1072	79476
6	Tube, Siphon, SY 1071	79477
6	Tube, Siphon, 15-20 lb Models	79478
7	O-Ring, Valve to Cylinder, Aluminum Models Only	79805
8	Hanger Hook, 10-15 lb Models	79357
8	Hanger Hook, 20 lb Models	79358
9	Horn, 10-15 lb Models	77892
9	Horn, 20 lb. Models	77893
10	Hose Assembly	77628
11	Nozzle Orifice, 10 lb Models	79473
11	Nozzle Orifice, 15-20 lb Models	79474
12	Clip, Horn	77894
13	Band, SY-1072/1572	79776
13	Band, SY-2071	79777
13	Band, SY-2072	79778
14	Visual Seal (Not Shown)	25940
15	Nozzle Retainer	79783
16	Hardware Kit	79471
-	Nameplate, Replacement w/o UL	Pg. 65

CLEANGUARD® FIRE EXTINGUISHER PARTS



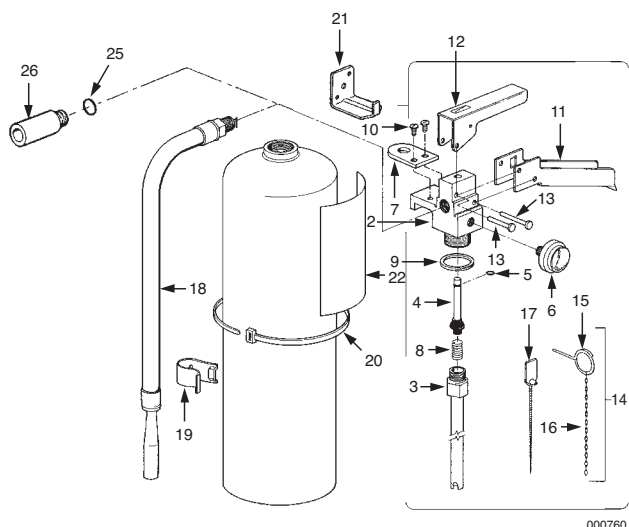
MODELS FE02VB, FE05, FE09, FE13

Fig. No.	Description	Part No.
—	Valve Assembly, FE02VB	429090
—	Valve Assembly, FE05	429091
—	Valve Assembly, FE09	429092
—	Valve Assembly, FE13	429093
1	Valve Body, Anodized	429100
2	Tube, Pick-up, FE02VB	428795
2	Tube, Pick-up, FE05	428796
2	Tube, Pick-up, FE09	428797
2	Tube, Pick-up, FE13	428799
3	O-Ring	76076
4	Valve Stem Assembly (Includes O-Ring)	429099
5	O-Ring	11873
6	Gauge, FE02VB, FE05	426264
6	Gauge, FE09, FE13	428940
7	Spring	415565
8	O-Ring	428327
9	Handle, Finished	429097
10	Push Lever, Finished	429096
11	Rivet (2)	428130
12	Ring Pin/Chain Assembly	16234
13	Ring Pin	16235
14	Chain	507
15	Seal, Visual Inspection	25940
16	Hose & Nozzle Assembly, FE05	428742
16	Hose & Nozzle Assembly, FE09, FE13	428743
17	Hose Retainer, FE05, FE09, FE13	427995
18	Hanger Bracket, FE05	54405
18	Hanger Bracket, FE09, FE13	428224
19	Nameplate, Replacement w/o UL/ULC Approval	Pg. 65
20	Vehicle Bracket (Not Shown)	24610
21	O-Ring	57744
22	Nozzle, FE02	429118
23	Adaptor Assembly, Recharge	429642
24	O-Ring	57744

MODEL NMFE13

Fig. No.	Description	Part No.
—	Valve Assembly	432896
1	Valve Body, Plated	428434
2	Tube, Pick-up	432897
3	O-Ring	76076
4	Valve Stem Assembly (Includes O-Ring)	428431
5	O-Ring	11873
6	Gauge	428940
7	Spring, SS	430004
8	O-Ring	428327
9	Handle, SS	428429
10	Push Lever, SS	428428
11	Rivet (2), Brass	428430
12	Ring Pin/Chain Assembly	432947
13	Ring Pin, SS	429290
14	Chain	507
15	Seal, Visual Inspection	25940
16	Hose & Nozzle Assembly	432948
17	N/A	
18	Hanger Bracket, SS	432964
19	Nameplate, Replacement w/o UL/ULC Approval	Pg. 65

CLEANGUARD® FIRE EXTINGUISHER PARTS



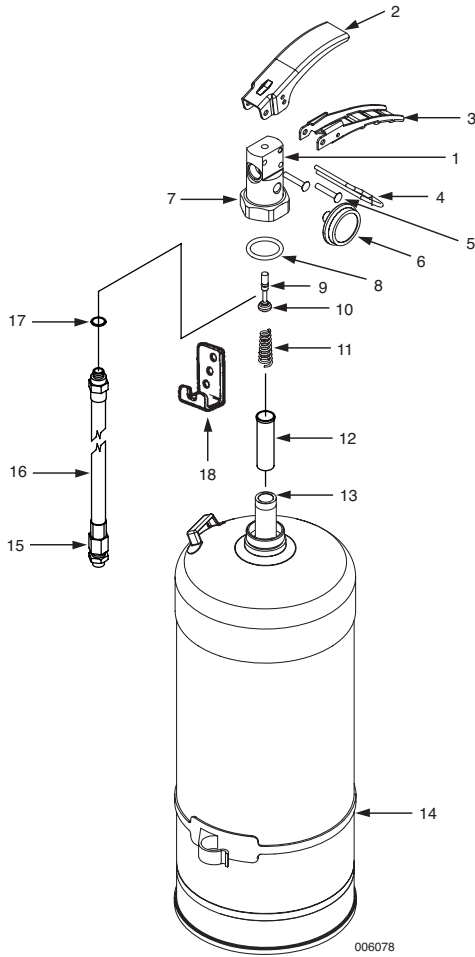
MODELS CA-0681, CA-0981, CA-1081, CA-1081, CA-1381, CA-1481, CA-1481

Fig. No.	Description	Part No.
1	Valve Assembly, CA-0681, 0981, 1081	N/A
1	Valve Assembly, CA-1381, 1481	N/A
2	Valve Body, Anodized	N/A
3	Tube, Pick-up	N/A
4	Valve Stem Assembly	24489
5	O-Ring	11873
6	Gauge	428940
7	Conversion Hanger	21864
8	Spring	29256
9	Quad Ring	21882
10	Screw, Self-Tapping (2)	28589
11	Handle, Finished	78087
12	Push Lever, Finished	31793
13	Rivet (2)	17050
14	Ring Pin/Chain Assembly	16234
15	Ring Pin	16235
16	Chain	507
17	Seal, Visual Inspection	25940
18	Hose & Nozzle Assembly, CA-0681	N/A
18	Hose & Nozzle Assembly, CA-0981	N/A
18	Hose & Nozzle Assembly, CA-1081	N/A
18	Hose & Nozzle Assembly, CA-1381, 1481 ULC	N/A
18	Hose & Nozzle Assembly, CA-1481 UL	N/A
19	Hose Clip	427995
20	Locking Cable	30636
21	Hanger Bracket, CA-0681	79357
21	Hanger Bracket, Except CA-0681	79356
22	Nameplate, Replacement w/o UL App.	Pg. 65
23	Inspection Record Tag (Not Shown), CA-1081 ULC	31447
23	Inspection Record Tag (Not Shown), Except CA-1081 ULC	2364
24	Vehicle Bracket (Not Shown), CA-0681	30865
24	Veh. Bracket (Not Shown), CA-0981, 1081	422737
24	Veh. Bracket (Not Shown), CA-1381, 1481	30937

MODELS CA-0281, CA-0581, CA-0582

Fig. No.	Description	Part No.
1	Valve Assembly, CA-0281	N/A
1	Valve Assembly, CA-0581	N/A
1	Valve Assembly, CA-0582	N/A
2	Valve Body, Anodized, CA-0281, 0582	N/A
2	Valve Body, Anodized, CA-0581	N/A
3	Tube, Pick-up, CA-0281	N/A
3	Tube, Pick-up, CA-0581	N/A
3	Tube, Pick-up, CA-0582	N/A
4	Valve Stem Assembly, CA-0281, 0582	415202
4	Valve Stem Assembly, CA-0581	24489
5	O-Ring	11873
6	Gauge, CA-0281, 0582	426264
6	Gauge, CA-0581	428940
7	Conversion Hanger, CA-0581	21864
8	Spring, CA-0281, 0582	415565
8	Spring, CA-0581	29256
9	Quad Ring, CA-0281, 0582	79122
9	Quad Ring, CA-0581	21882
10	Screw, Self-Tapping (2)	28589
11	Handle, Finished, CA-0281, 0582	79119
11	Handle, Finished, CA-0581	78087
12	Push Lever, Finished, CA-0281, 0582	68169
12	Push Lever, Finished, CA-0581	31793
13	Rivet (2), CA-0281, 0582	25720
13	Rivet (2), CA-0581	17050
14	Ring Pin/Chain Assembly, CA-0581	16234
15	Ring Pin, CA-0581	16235
16	Chain, CA-0581	507
17	Seal, Visual Inspection	25940
18	Hose and Nozzle Assembly, CA-0581	N/A
18	Hose and Nozzle Assembly, CA-0582	N/A
19	Hose Clip, CA-0581, 0582	427995
20	Locking Cable, CA-0581, 0582	30636
21	Hanger Bracket, CA-0281	21873
21	Hanger Bracket, CA-0581	79356
21	Hanger Bracket, CA-0582	54405
22	Nameplate, Replacement w/o UL/ULC	Pg. 65
23	Inspection Record Tag (Not Shown) Except CA-0581 ULC	2364
23	Inspection Record Tag (Not Shown), CA-0581 ULC	31447
24	Vehicle Bracket (Not Shown), CA-0281	24610
24	Vehicle Bracket (Not Shown), CA-0581 UL	30865
24	Vehicle Bracket (Not Shown), CA-0581 ULC	32820
24	Vehicle Bracket (Not Shown), CA-0582	415824
25	O-Ring, CA-0281	16047
26	Nozzle, CA-0281	428686
—	Recharge Adaptor	429642

K-GUARD® FIRE EXTINGUISHER PARTS



MODELS K01-1, K01-2

Fig. No.	Description	Part No.
1	Valve Body	430271
2	Lever	430924
3	Handle	430273
4	Ring Pin	430115
5	Rivet	430250
6	Gauge	429536
7	Collar Nut	430274
8	Collar O-Ring	56909
9	Valve Stem O-Ring	429159
10	Valve Stem	429099
11	Spring	430004
12	Fill Tube	429541
13	Pick-Up Tube Assembly	430851
14	Belly Band	427995
15	Nozzle Tip	426074
16	Hose and Nozzle Assembly	430055
17	Hose O-Ring	429544
18	Wall Hanger	430056
—	Heavy Duty Bracket (Not Shown)	422737
—	Visual Inspection Seal (Not Shown)	25940
—	Warning Placard, English/Spanish (Not Shown)	426021
—	Warning Placard, English/Can. French (Not Shown)	426034
—	Adaptor Assembly, Recharge	430057
—	Valve Assembly	430270

SENTRY® WATER FIRE EXTINGUISHER PARTS

MODEL WO2-1 (WATER)

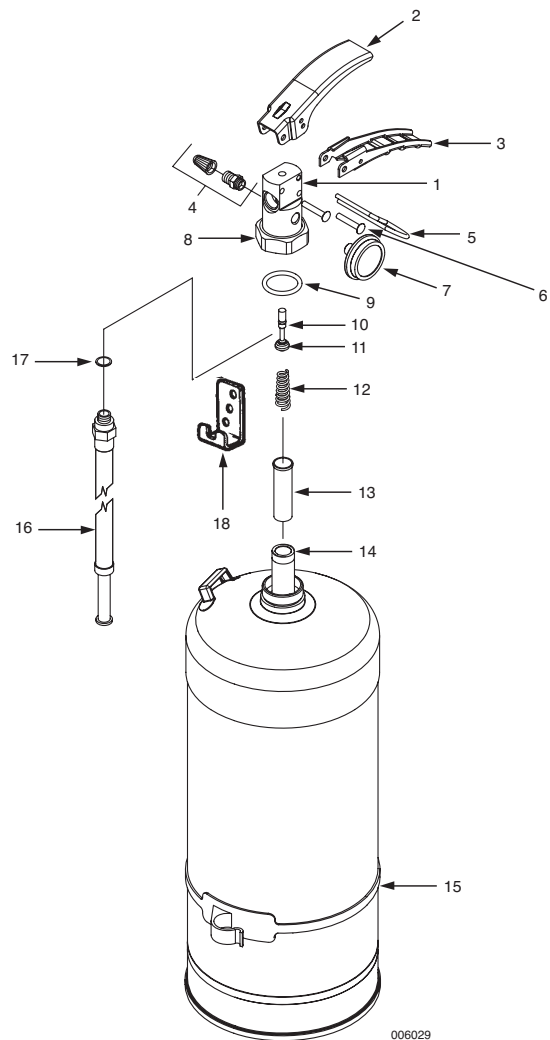
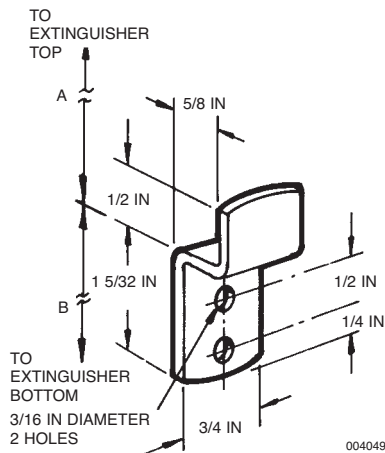


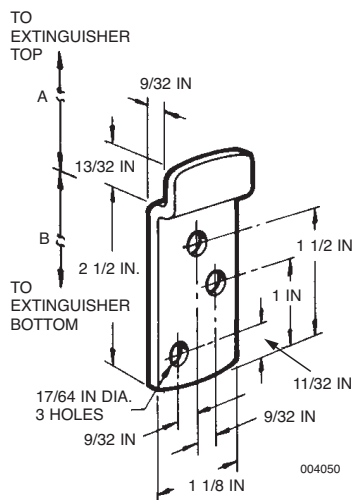
Fig. No.	Description	Part No.
1	Valve Body	430821
2	Lever	430924
3	Handle	430273
4	Air Valve Assembly	429542
5	Ring Pin	430115
6	Rivet	430250
7	Gauge	429536
8	Collar Nut	430274
9	Collar O-Ring	56909
10	Valve Stem O-Ring	429159
11	Valve Stem	429099
12	Spring	430004
13	Fill Tube	429541
14	Pick-Up Tube Assembly	430793
15	Belly Band	427995
16	Hose and Nozzle Assembly	429543
17	Hose O-Ring	429544
18	Wall Hanger	430056
-	Heavy Duty Bracket (Not Shown)	30937
-	Visual Inspection Seal (Not Shown)	25940
-	Valve Assembly	430792

RED LINE® CARTRIDGE-OPERATED EXTINGUISHER MOUNTING DEVICES

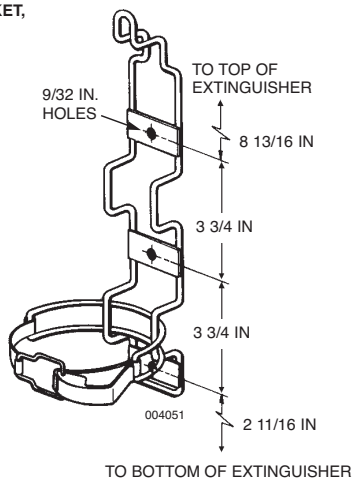
MODEL 5 HANGER,  
PART NO. 2128



MODEL 10, 20, 30 HANGER,  
PART NO. 3651



MODEL 5 BRACKET,  
PART NO. 7077



These wall hangers and brackets offer varying amounts of restraint and support for RED LINE® cartridge operated extinguishers. This makes them valuable for the following reasons:

**Location and Compliance** – A hanger or bracket establishes a proper location for the extinguisher; there is less tendency to move it out of the way. Certain regulatory agencies, such as OSHA, require that extinguishers be mounted at certain locations and specified heights from the floor.

**Accessibility** – Extinguishers are more visible and more accessible when raised from the floor by a mounting device.

**Protection** – Extinguishers which are allowed to sit on the floor (or ground) are more likely to be bumped by mobile equipment, knocked over by pedestrian traffic, and subjected to rust damage at the base. They are also a greater danger to pedestrian traffic than properly mounted extinguishers.

**WALL HANGERS**

These devices are attached to walls or other stationary, vertical surfaces, for indoor vertical mounting of cartridge-operated hand portable fire extinguishers.

Wall hangers are made of steel and are either cadmium plated or zinc plated. Each cartridge operated extinguisher has a slot which mates with the wall hanger for quick and easy extinguisher hanging or removal.

Wall Hanger Part No.	Description
2128	Model 5 Hanger
3651	Model 10, 20, 30 Hanger

MOUNTING BRACKET – MODEL 5

Bracket Part No.
7077



## RED LINE® DRY CHEMICAL EXTINGUISHERS



003659

RED LINE® dry chemical extinguishers are designed for the protection of ordinary and high risk hazards. This hand portable extinguisher is used in industries where the occurrence or possibility of fire is high. The RED LINE extinguisher has set the standard for reliable fire protection in many industries and applications including refining, petrochemical, oil and natural gas production, mining, transportation, utilities, metal processing, paint process areas, welding areas, material storage areas and many others.

- Rugged, durable, reliable fire protection
- Ergonomically designed for maximum operator performance
- Meets or exceeds requirements of ANSI/UL 299 and 711
- DOT and USCG approved with proper bracket
- Simple and safe operation
- Maintenance checks can be easily made on every moving part
- Field rechargeable
- Four normal sizes (5, 10, 20 and 30) available with many options to suit your needs
- Field replacement metal cartridge guard option available for 20 and 30 pound extinguishers.
- Choice of dry chemical agents to satisfy specific protection requirements
- First response fire fighting training available at the ANSUL Fire School or through trained distributors
- Manual, parts lists and training video tapes available
- Twelve year limited warranty
- Sold and serviced through our network of independent distributors in every state and most countries throughout the world

## SPILL-GUN® CHEMICAL AGENTS APPLICATORS



007841

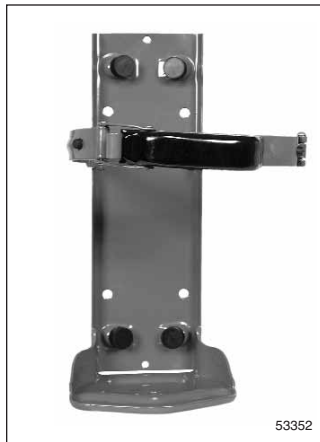
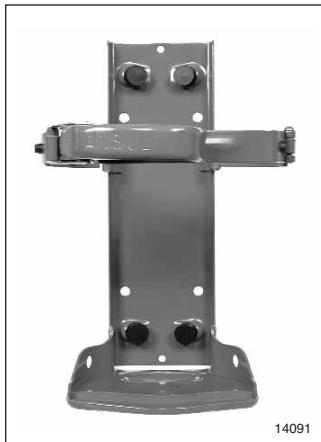
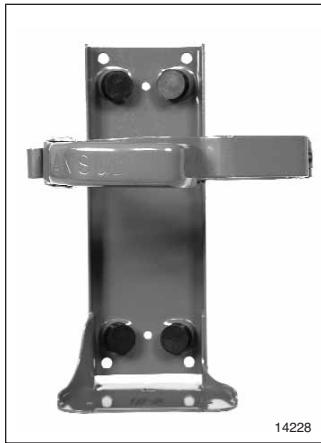
The SC-30 SPILL-GUN® applicator employs technology based on our 50 years of experience in the fire protection industry. It is a rugged easy-to-use unit that can be recharged in the field. The units are available for the acid, caustic, or solvent SPILL-X® agents and are designed to apply the agent from a distance of 10-12 ft which provides the user with an additional safety factor. The SPILL-GUN applicator can treat up to a 3 gallon spill which is equivalent to about a 100 ft<sup>2</sup> spill.

The chemical agents are trademarked under the name SPILL-X. SPILL-X-A® agent is an acid neutralizer specifically formulated to treat spills of mineral and organic acids. SPILL-X-A agent has been shown to be highly effective at neutralizing and solidifying spills of many types of acids including, but not limited to: sulfuric, hydrochloric, nitric, phosphoric, perchloric, formic, hydrofluoric, acetic, and adipic.

SPILL-X-C® agent is a product specifically formulated to treat caustic and organic bases. SPILL-X-C agent is effective in neutralizing and solidifying many caustics, including, but not limited to: sodium hydroxide, ammonium hydroxide, aniline, diethylamine, potassium hydroxide, morpholine and hydrazine.

SPILL-X-S® agent is a product used to treat many common hydrocarbon solvents and fuel spills. The technology used with this proprietary carbonaceous material is that of adsorption. SPILL-X-S agent, when properly applied to a solvent spill, can rapidly adsorb the spill, contain it, and reduce the vapor release which is extremely important for all solvents, particularly those which are flammable or toxic.

RED LINE® CARTRIDGE-OPERATED EXTINGUISHER MOUNTING DEVICES

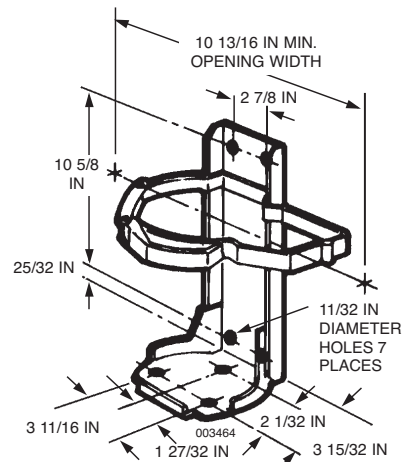


**MULTI-PURPOSE BRACKETS**

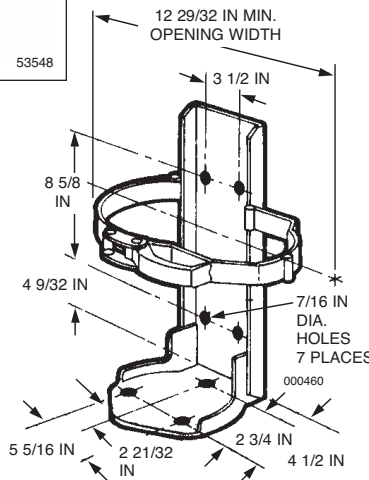
Typical applications include mounting in cabs and compartments of over-the-road light trucks and automobiles and off-shore oil platforms, sea-going vessels. These brackets are most useful where vertical mounting of the extinguisher is not possible, and where the extinguisher must be restrained. Not for high stress or external vehicle applications.

These are welded brackets, constructed of heavy gauge steel with standard finish or red corrosion-resistant baked-on powder paint. The overcenter toggle action of the clamp arm employs the closing tension to lock the arm tightly around the extinguisher while still providing quick and easy access. Resilient pads grip and support the extinguisher, minimizing movement regardless of the bracket mounting position. Holes are provided for mounting the bracket by the back plate or by the base.

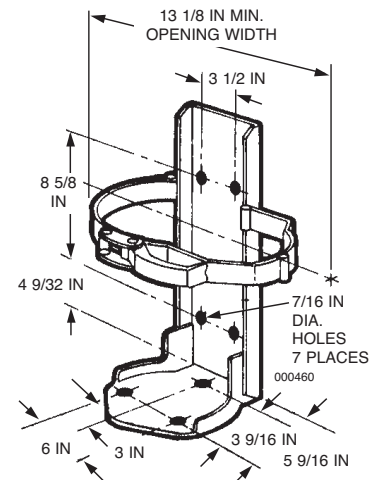
Bracket Part No.	Description
14228	Model 10, Standard Finish
14091	Model 20, Standard Finish
14098	Model 30, Standard Finish
53337	Model 10, CR Finish
53352	Model 20, CR Finish
53548	Model 30, CR Finish



MODEL 10 BRACKET



MODEL 20 BRACKET



MODEL 30 BRACKET

RED LINE® CARTRIDGE-OPERATED EXTINGUISHER MOUNTING DEVICES

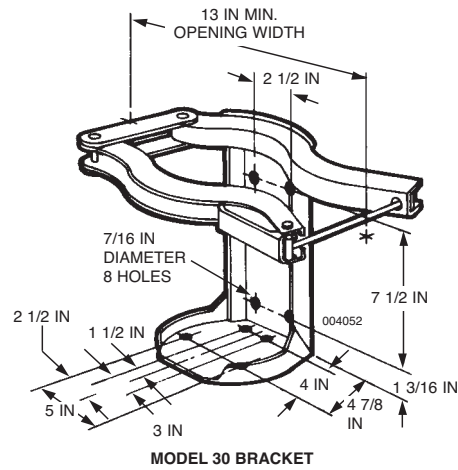
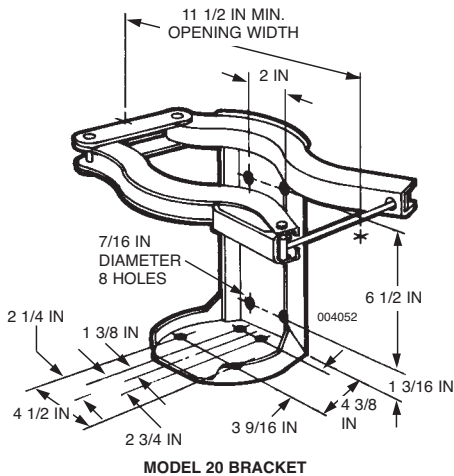
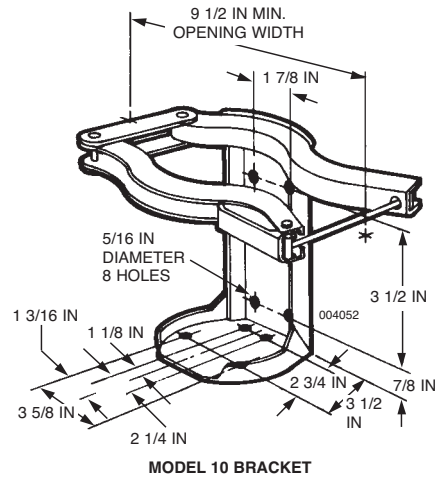


**HEAVY DUTY/VEHICLE BRACKETS**

The heavy duty/vehicle brackets have been created to provide reliable service in the more rugged applications such as all external mounts on vehicles and all mounts on larger equipment, both over-the-road and off-road.

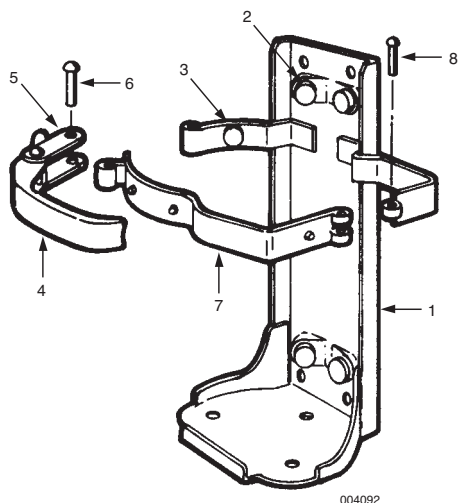
The brackets are constructed of heavy gauge steel with standard or corrosion resistant baked-on powder paint. Tough resilient pads are firmly attached to the clamp arm and the bracket base to provide two points of restraint for outstanding extinguisher security. The toggle action clamp arm is adjustable so that the best fit may be maintained throughout the bracket's long life. As with all ANSUL brackets, the extinguisher may be removed or replaced in the bracket quickly and easily. Holes are provided for mounting the bracket by the back plate or by the base.

Bracket Part No.	Description
30886	Model 10, Standard Finish
30759	Model 20, Standard Finish
30889	Model 30, Standard Finish
53344	Model 10, CR Finish
53362	Model 20, CR Finish
53370	Model 30, CR Finish



RED LINE® MOUNTING BRACKET PARTS

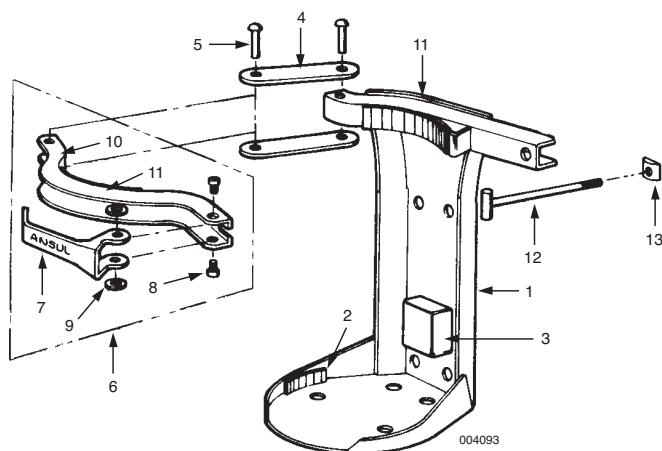
STANDARD 10



MODEL 10 STANDARD

Fig. No.	Description	Part No.
-	Bracket Shipping Assembly	14228
-	Bracket Shipping Assembly, CR	53337
1	Frame Assembly	25331
1	Frame Assembly, CR	53339
2	Grommet	14089
3	Grommet	8688
4	Handle	11679
4	Handle, CR	53342
5	Link	11630
5	Link, CR	53656
6	Rivet	11631
7	Front Band	25326
7	Front Band, CR	53341
8	Rivet	2094

HEAVY DUTY 10



MODEL 10 HEAVY DUTY

Fig. No.	Description	Part No.
-	Bracket Shipping Assembly	30886
-	Bracket Shipping Assembly, CR	53344
1	Frame Assembly, Back	29734
1	Frame Assembly, Back, CR	53346
2	Pad, Base (2)	29415
3	Bumper	29984
4	Link (2)	29742
4	Link (2), CR	53347
5	Rivet (2)	29749
6	Handle Assembly	29951
6	Handle Assembly, CR	53348
7	Handle - Cadmium Plated	30479
7	Handle, CR	53349
8	Screw (2)	30282
9	Spacer (2)	31153
10	Clamp Arm	30480
10	Clamp Arm, CR	53350
11	Pad, Clamp Arm (2)	29748
-	T-Bolt Assembly	30975
12	T-Bolt	30465
13	Nut, HD-10 Retainer	57423

RED LINE® MOUNTING BRACKET PARTS

MODEL 20 STANDARD

STANDARD 20/30

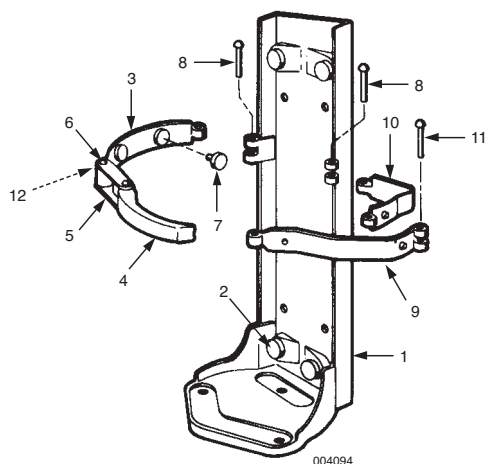


Fig. No.	Description	Part No.
-	Bracket Shipping Assembly	14091
-	Bracket Shipping Assembly, CR	53352
-	Bracket Shipping Assembly, Ring Pin	435364
1	Frame Assembly	17056
1	Frame Assembly, CR	53354
2	Grommet (4 Required)	14089
3	Band "A" Finished	16353
3	Band "A" CR Finished	53359
4	Handle, Plated	11629
4	Handle, CR	53360
5	Link (2 Required), Plated	11630
5	Link (2 Required), CR	53656
6	Rivet (2 Required)	11631
7	Grommet (5 Required)	8688
8	Rivet	15392
9	Band "B"	6688
9	Band "B", CR	53356
10	Link	14088
10	Link, CR	53357
11	Rivet	2094
12	Ring Pin and Chain	53597

MODEL 30 STANDARD

Fig. No.	Description	Part No.
-	Bracket Shipping Assembly	14098
-	Bracket Shipping Assembly, CR	53548
-	Bracket Shipping Assembly, Ring Pin	435255
1	Frame Assembly	17057
1	Frame Assembly, CR	23484
2	Grommet (4 Required)	14089
3	Band "A" Finished	16354
3	Band "A" CR Finished	53655
4	Handle, Plated	11629
4	Handle, CR	53360
5	Link, Plated (2 Required)	11630
5	Link, CR (2 Required)	53656
6	Rivet (2 Required)	11631
7	Grommet (5 Required)	8688
8	Rivet	15392
9	Band "B"	6722
9	Band "B", CR	53653
10	Link	14224
10	Link, CR	53652
11	Rivet	2094
12	Ring Pin and Chain	53597

RED LINE® MOUNTING BRACKET PARTS

MODEL 20 HEAVY DUTY

HEAVY DUTY 20/30

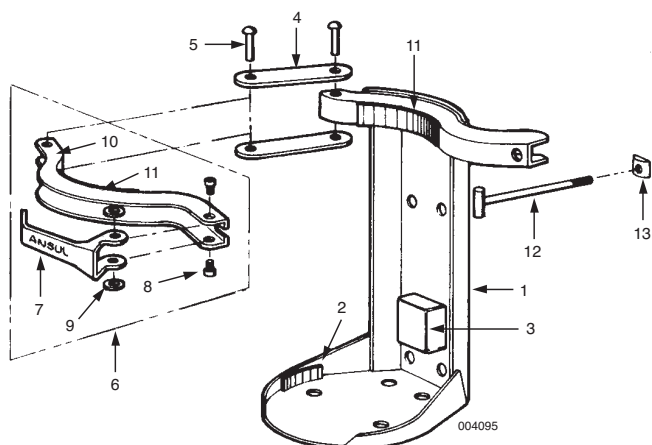


Fig. No.	Description	Part No.
-	Bracket Shipping Assembly	30759
-	Bracket Shipping Assembly, CR	53362
1	Frame Assembly, Back	30220
1	Frame Assembly, Back, CR	53364
2	Pad, Base (2)	29415
3	Bumper	29985
4	Link (2)	29610
4	Link (2), CR	53365
5	Rivet (2)	29416
6	Handle Assembly	29942
6	Handle Assembly, CR	53366
7	Handle	29956
7	Handle, CR	53367
8	Screw, Cap (2)	30282
9	Spacer (2)	31153
10	Clamp Arm	29944
10	Clamp Arm, CR	53368
11	Pad, Clamp Arm (2)	31128
-	T-Bolt Assembly	30976
12	T-Bolt	29958
13	Nut, HD-10 Retainer	57424

MODEL 30 HEAVY DUTY

Fig. No.	Description	Part No.
-	Bracket Shipping Assembly	30889
-	Bracket Shipping Assembly, CR	53370
1	Frame Assembly, Back	30217
1	Frame Assembly, Back, CR	53372
2	Pad, Base (2)	29415
3	Bumper	29985
4	Link (2)	29408
4	Link (2), CR	53373
5	Rivet (2)	29416
6	Handle Assembly	29919
6	Handle Assembly, CR	53374
7	Handle	29956
7	Handle, CR	53367
8	Screw, Cap (2)	30282
9	Spacer (2)	31153
10	Clamp Arm	29918
10	Clamp Arm, CR	53375
11	Pad, Clamp Arm (2)	29414
-	T-Bolt Assembly	30976
12	T-Bolt	29958
13	Nut, HD-10 Retainer	57424



RED LINE® FIRE EXTINGUISHER PARTS

MODEL 5

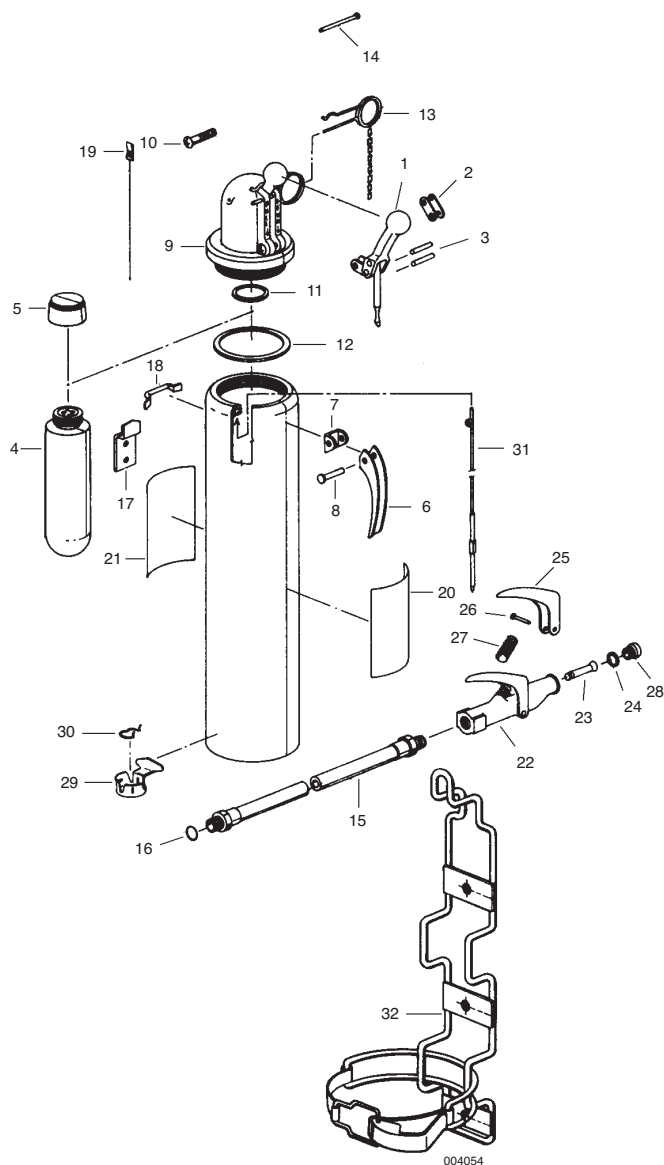


Fig. No.	Description	Part No.
1	Ball Lever without Puncture Pin	2330
2	Link, Ball Lever Assembly	1068
3	Rivets, Lever	1507
4	Cartridge Assembly w/Cap, CO <sub>2</sub>	4523
4	Cartridge Assembly w/Cap, Nitrogen, LT-5-R	6979
5	Cartridge Shipping Cap, LH	77250
5	Cartridge Shipping Cap, LT, RH	77251
6	Carrying Handle	619
7	Carrying Handle Lug	616
8	Carrying Handle Rivet	618
9	Dome and Fill Cap Assembly, Standard	2672
9	Dome and Fill Cap Assembly, LT	2759
10	Cap Screw	11318
11	Gasket, Cartridge Receiver	181
12	Gasket, Fill Cap	615
13	Ring Pin Assembly	2332
14	Rivet, Dome to Link	1506
15	Hose Assembly, 3/8 in Couplings Both Ends, Pre-1967, Standard	6744
15	Hose Assembly, 3/8 & 9/16 in Couplings, Post-1967, Standard	15799
15	Hose Assembly, 3/8 in Couplings Both Ends, Pre-1967, LT	6908
15	Hose Assembly, 3/8 & 9/16 in Couplings, Post-1967, LT	15799
16	O-Ring	6263
17	Hanger Hook	2128
18	Hanger Attachment	2129
19	Inspection Seal, Visual	15999
20	Nameplate, Operating, Replacement	Pg. 64
21	Nameplate, Maintenance, Replacement w/o UL	Pg. 64
22	Nozzle Assembly, Std & LT, PLUS-FIFTY	6673
22	Nozzle Assembly, Std, FORAY	17519
22	Nozzle Assembly, Std, Purple-K	32130
22	Nozzle Assembly, LT, FORAY	32130
22	Nozzle Assembly, LT, Purple-K	10046
23	Plunger	4283
24	Gasket, Nozzle Tip	1662
25	Handle, Nozzle, Standard	2343
26	Rivet, Nozzle Handle	1048
27	Spring, Nozzle Handle	1666
28	Tip, Nozzle, Std, PLUS-FIFTY	6612
28	Tip, Nozzle, Std, FORAY	69504
28	Tip, Nozzle, Std Purple-K, LT FORAY	4676
28	Tip, Nozzle, LT Purple-K	10047
29	Nozzle Holder	32031
30	Spring, Nozzle Holder	7564
31	Gas Tube Assembly	10907
32	Bracket	7077

N/A = Not Available



RED LINE® FIRE EXTINGUISHER PARTS

MODELS 10-C, LR-10-C, A-10-C, K-10-C; 20-D, LR-20-D, LT-20-D, A-20-D, LT-A-20-D, K-20-D, LT-K-20-D; 30-D, LR-30-D, LT-30-D, A-30-D, LT-A-30-D, K-30-D, LT-K-30-D

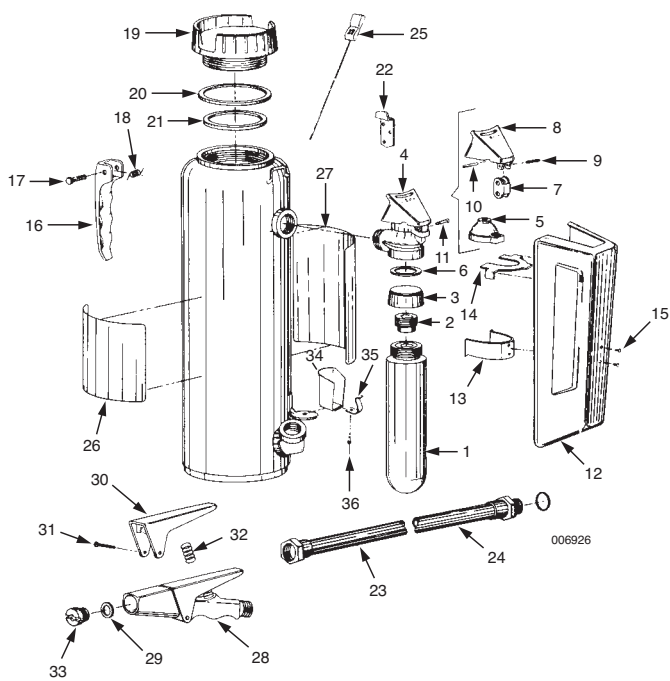
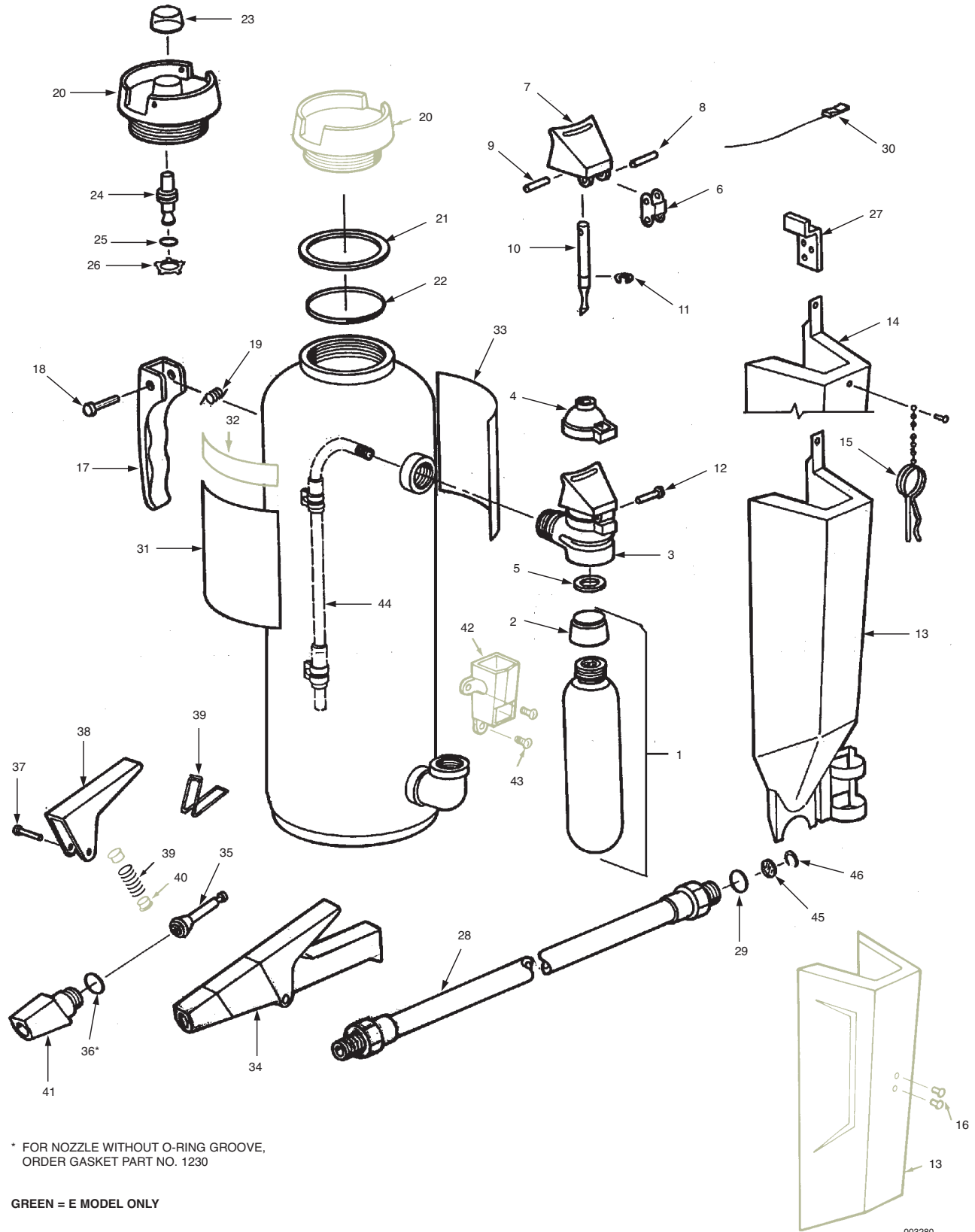


Fig. No.	Description	Part No.
1	Cartridge Assembly, 10 lb CO <sub>2</sub>	4616
1	Cartridge Assembly, 20 lb CO <sub>2</sub>	4614
1	Cartridge Assembly, 30 lb CO <sub>2</sub>	4615
1	Cartridge Assembly, 20 lb Nitrogen, LT	7032
1	Cartridge Assembly, 30 lb Nitrogen, LT	5373
2	Cartridge Seal Assembly, CO <sub>2</sub>	N/A
2	Cartridge Seal Assembly, Nitrogen, LT	N/A
3	Cartridge Shipping Cap	77250
3	Cartridge Shipping Cap, LT	77251
4	Cartridge Receiver Assembly, Std	3626
4	Cartridge Receiver Assembly, LT	1356
5	Cap, Rubber	1057
6	Gasket, Cartridge Receiver	181
7	Link, Cartridge Receiver	1068
8	Puncture Lever	3628
9	Spring Pin, Link to Puncture Lever	4108
10	Spring Pin, Puncture Lever & Puncture Pin	4109
11	Rivet, Link to Cartridge Receiver	6286
12	Cartridge Guard Assembly, Standard 10 lb Models	3652
12	Cartridge Guard Assembly, Standard 20 lb Models	6302
12	Cartridge Guard Assembly, Standard 30 lb Models	6287
12	Cartridge Guard Assembly, LT-20 lb Models	6967
12	Cartridge Guard Assembly, LT-30 lb Models	6971
13	Clip, Cartridge Guard, 10 lb Models	3654
13	Clip, Cartridge Guard, 20-30 lb Models	6291

Fig. No.	Description	Part No.
14	Guide, Cartridge Guard, 10 lb Models	3655
15	Rivet, Cartridge Guard, 20-30 lb Models	6579
16	Carrying Handle	6169
17	Carrying Handle Rivet	1265
18	Carrying Handle Spring	2902
19	Fill Cap with Gasket & Quad Ring	17999
20	Gasket, Fill Cap	6190
21	Quad Ring, Fill Cap	6273
22	Hanger Hook	3651
23	Hose Assy w/Couplings, Std 10 lb Models	6274
23	Hose Assy w/Couplings, Std 20 lb Models	7091
23	Hose Assy w/Couplings, Std 30 lb Models	7083
23	Hose Assy w/Couplings, LT-20 lb Models	7091
23	Hose Assy w/Couplings, LT-30 lb Models	7083
24	O-Ring, 10-20 lb Models	6263
24	O-Ring, 30 lb Models	6324
25	Inspection Seal	15999
26	Nameplate, Operating, Replacement	Pg. 64
27	Nameplate, Maintenance, Replacement w/o UL	Pg. 64
28	Nozzle Assembly, 10-C	6277
28	Nozzle Assembly, A-10-C, LR-10-C	6708
28	Nozzle Assembly, K-10-D	10041
28	Nozzle Assembly, 20-D	6307
28	Nozzle Assembly, A-20-D	13739
28	Nozzle Assembly, K-20-D	13746
28	Nozzle Assembly, 30-D	6294
28	Nozzle Assembly, A-30-D, K-30-D, LR-20-D	13738
28	Nozzle Assembly, LR-30-D	6714
29	Gasket, Nozzle Assembly	1230
30	Handle, Nozzle Assembly	6266
31	Rivet, Nozzle Handle	3621
32	Spring, Nozzle Handle	6308
33	Tip, Nozzle Assembly, 10-C	13740
33	Tip, Nozzle Assembly, A-10-C, LR-10-C	6709
33	Tip, Nozzle Assembly, K-10-C	10042
33	Tip, Nozzle Assembly, 20-D	6353
33	Tip, Nozzle Assembly, A-20-D	13737
33	Tip, Nozzle Assembly, K-20-D	13745
33	Tip, Nozzle Assembly, 30-D	13748
33	Tip, Nozzle Assembly, A-30-D, K-30-D, LR-20-D	13736
33	Tip, Nozzle Assembly, LT-20 lb. Models	6713
33	Tip, Nozzle Assembly, LT-30 lb. Models	6715
33	Tip, Nozzle Assembly, LR-30-D	13756
34	Nozzle Holder	6371
35	Nozzle Holder Clip	6370
36	Nozzle Holder Rivet	6368

N/A = Not Available

RED LINE® FIRE EXTINGUISHER PARTS



\* FOR NOZZLE WITHOUT O-RING GROOVE,  
ORDER GASKET PART NO. 1230

GREEN = E MODEL ONLY

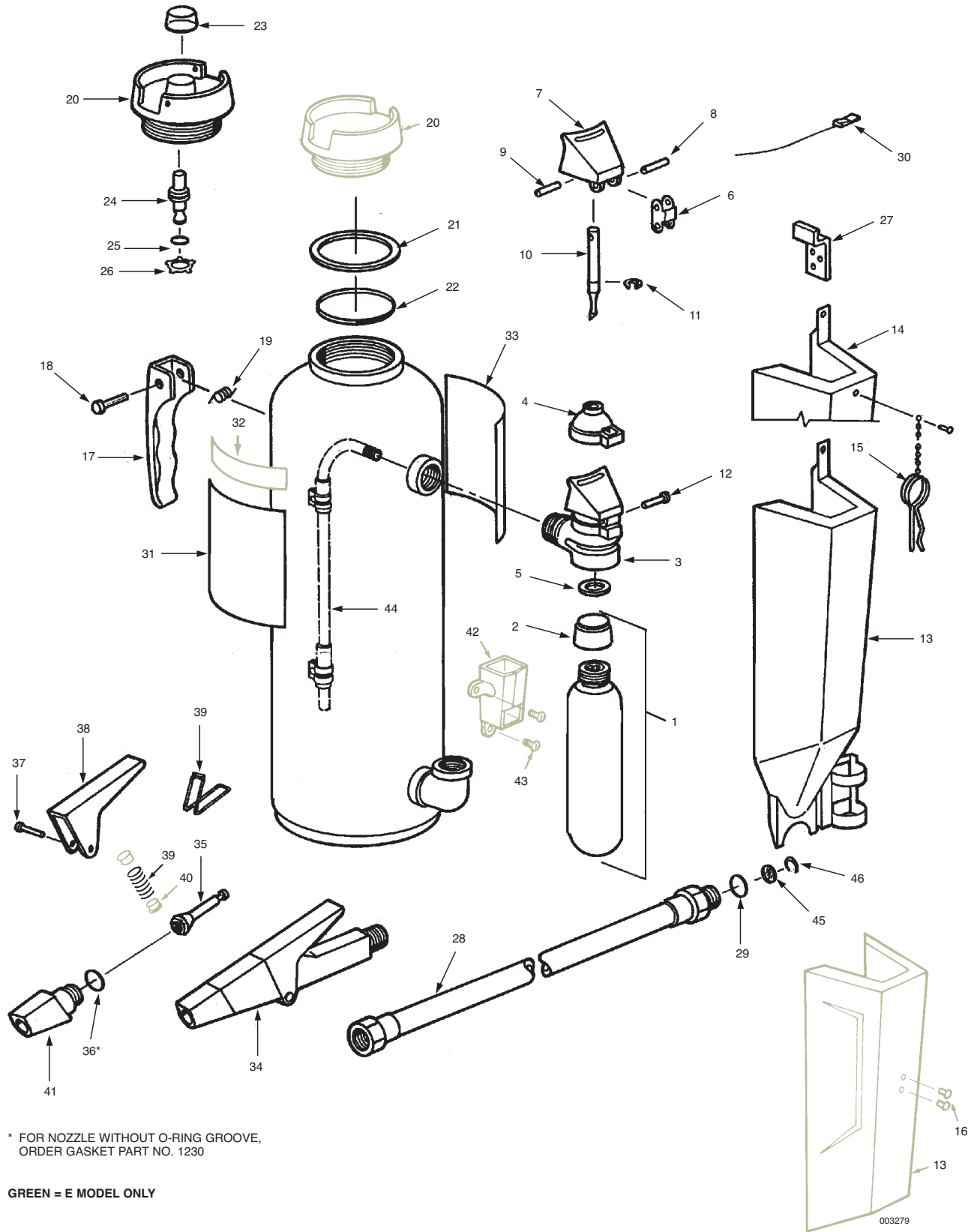
RED LINE® FIRE EXTINGUISHER PARTS

MODELS 10-E AND 10-G

Fig. No.	Description	Part No.	Fig. No.	Description	Part No.
1	Cartridge w/Cap, CO2, 10-L (E/G)	4616	24	Stem, Indicator (E/G)	27648
1	Cartridge w/Cap, N2, LT-10-R (E/G)	13193	25	Quad Ring (E/G)	17630
2	Cartridge Shipping Cap, LH (E/G)	77250	26	Retaining Ring (E/G)	1239
2	Cartridge Shipping Cap, RH (E/G)	77251	27	Hanger Hook (E/G)	3651
3	Cartridge Receiver, RH (E/G)	1356	28	Hose w/Couplings, Std (E/G)	13005
3	Cartridge Receiver, LH (E/G)	3626	28	Hose w/Couplings, CR (E/G)	77739
3	Cartridge Receiver, CR, LH (E/G)	17913	29	O-Ring (E/G)	6263
4	Cap, Rubber (E/G)	1057	30	Inspection Seal, Visual (E/G)	15999
5	Gasket, Cartridge Receiver (E/G)	181	31	Nameplate, Operating, Replacement	Pg. 64
6	Link, Cartridge Receiver (E/G)	1068	32	Label, Low Temperature (E Only)	25167
7	Puncture Lever (E/G)	3628	33	Nameplate, Maintenance, Replacement w/o UL	Pg. 64
8	Spring Pin, Link to Puncture Lever (E/G)	4108	34	Nozzle Assembly, PLUS-FIFTY Std	14048
9	Spring Pin, Puncture Lever to Puncture Pin (E/G)	4109	34	Nozzle Assembly, A Std /LT(E/G)	31407
10	Puncture Pin (E/G)	25305	34	Nozzle Assembly, K Std/LT (E/G)	30787
11	Retaining Ring (E/G)	1903	34	Nozzle Assembly, CR-A (E/G)	53470
12	Rivet, Link to Cartridge Receiver (E/G)	6286	34	Nozzle Assembly, CR-K (E/G)	54732
13	Cartridge Guard, Composite, Std (G Only)	418023	35	Nozzle Plunger (E/G)	56117
13	Cartridge Guard, Composite, LT (G Only)	418024	36	O-Ring, Nozzle Assembly (E/G)	3469
13	Cartridge Guard, Metal, Std (E Only)	3652	37	Rivet, Nozzle Handle (E/G)	3621
13	Cartridge Guard, Metal, CR (E Only)	53468	38	Handle, Nozzle Assembly, Std (G Only)	419389
13	Cartridge Guard, Metal, LT (E Only)	12997	38	Handle, Nozzle Assembly, CR (G Only)	423461
14	Ring Pin Cartridge Guard, Composite (G Only)	418243	39	Spring, Nozzle Handle (G Only)	419422
14	Ring Pin Cartridge Guard, Metal (E Only)	6330	39	Spring, Nozzle Handle (E Only)	30399
15	Ring Pin and Chain Assembly (E/G)	7095	40	Caplug (2) (E Only)	25154
16	Rivet, Cartridge Guard (E Only)	6579	41	Tip, Nozzle Assembly, PLUS-FIFTY Std, (E/G)	25773
17	Carrying Handle, Std (E/G)	6169	41	Tip, Nozzle Assembly, A Std (E/G)	31502
17	Carrying Handle, CR (E/G)	17902	41	Tip, Nozzle Assembly, K Std (E/G)	30788
18	Carrying Handle Rivet (E/G)	1265	42	Nozzle Holder Assembly (E Only)	74206
19	Carrying Handle Spring (E/G)	2902	43	Nozzle Platform Screw (2) (E Only)	14908
20	Fill Cap w/Indicator, Std (E/G)	17999	44	Gas Tube Assembly (E/G)	6313
20	Fill Cap w/Indicator, CR (E/G)	422808	45	Hose Seal (Pkg of 30) (G Only)	415659
20	Fill Cap w/o Indicator, Std (E/G)	32028	46	Retaining Ring (Pkg of 50) (G Only)	415855
20	Fill Cap w/o Indicator, CR (E/G)	17903	-	Extinguisher Weather Cover (Not Shown) (E/G)	67636
21	Gasket, Fill Cap (E/G)	6190	-	Hose Inspection Seal Kit (Seal & Retaining Ring)	426687
22	Quad Ring, Fill Cap (E/G)	6273			
23	Cap, Plastic (E/G)	17633			

N/A = Not Available

RED LINE® FIRE EXTINGUISHER PARTS



\* FOR NOZZLE WITHOUT O-RING GROOVE,  
ORDER GASKET PART NO. 1230

GREEN = E MODEL ONLY

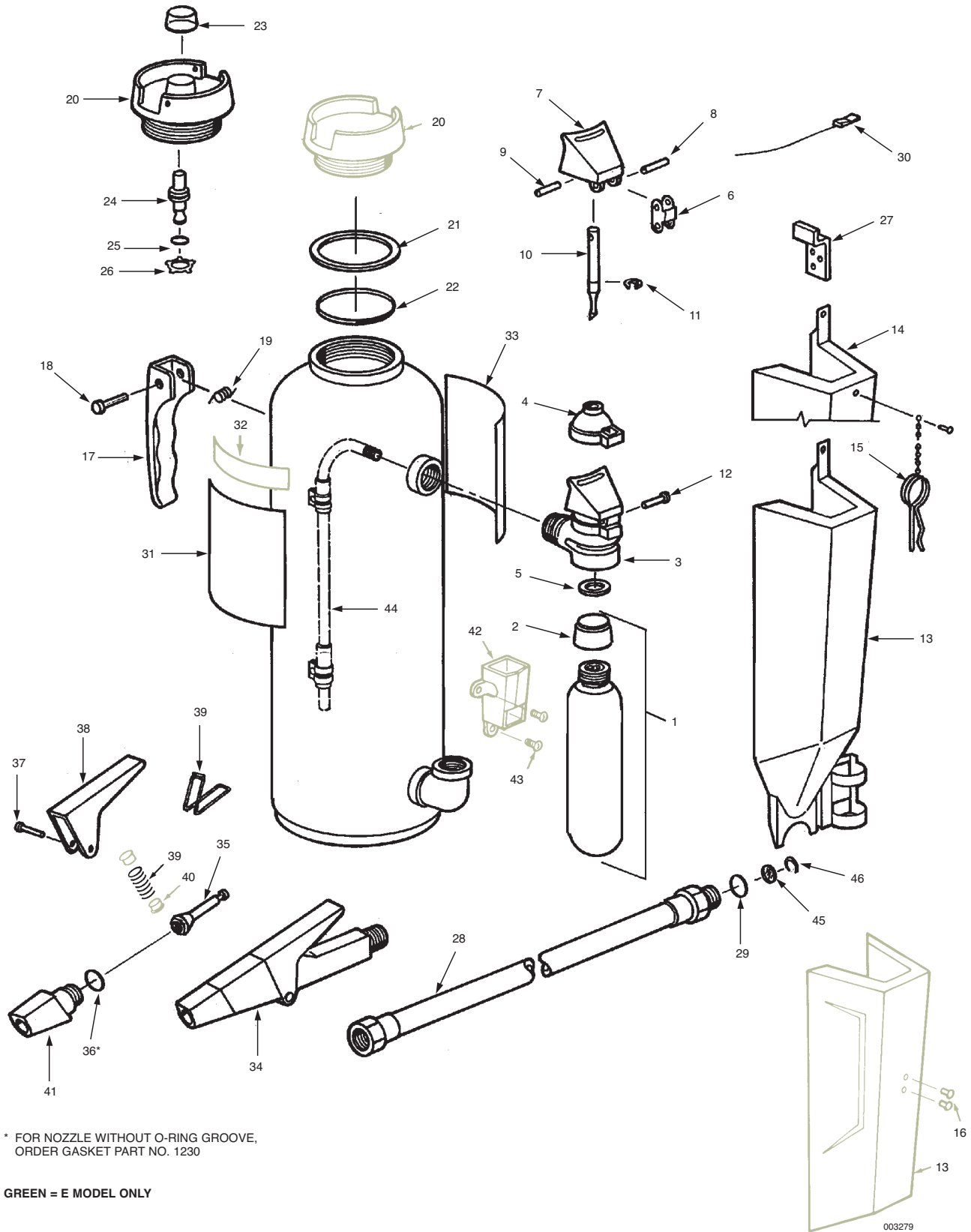
RED LINE® FIRE EXTINGUISHER PARTS

MODELS 20-E AND 20-G

Fig. No.	Description	Part No.	Fig. No.	Description	Part No.
1	Cartridge w/Cap, CO2, 20-L (E/G)	4614	27	Hanger Hook (E/G)	3651
1	Cartridge w/Cap, N2, LT-20-R (E/G)	7032	28	Hose w/Couplings, Std (E/G)	7091
2	Cartridge Shipping Cap, LH (E/G)	77250	28	Hose w/Couplings, CR (E/G)	24459
2	Cartridge Shipping Cap, RH (E/G)	77251	29	O-Ring (E/G)	6323
3	Cartridge Receiver, RH (E/G)	1356	30	Inspection Seal, Visual (E/G)	15999
3	Cartridge Receiver, LH (E/G)	3626	31	Nameplate, Operating, Replacement	Pg. 64
3	Cartridge Receiver, CR, LH (E/G)	17913	32	Label, Low Temperature (E Only)	25167
4	Cap, Rubber (E/G)	1057	33	Nameplate, Maintenance, Replacement w/o UL	Pg. 64
5	Gasket, Cartridge Receiver (E/G)	181	34	Nozzle Assembly, PLUS-FIFTY Std, (E/G)	14551
6	Link, Cartridge Receiver (E/G)	1068	34	Nozzle Assembly, LT-A (E/G)	14382
7	Puncture Lever, Std (E/G)	3628	34	Nozzle Assembly, HF-A, HF-K (E/G)	15156
7	Puncture Lever, CR (E/G)	17915	34	Nozzle Assembly, PLUS-FIFTY CR (E/G)	17905
8	Spring Pin, Link to Puncture Lever (E/G)	4108	34	Nozzle Assembly, A & K/LTK Std (E/G)	30789
9	Spring Pin, Puncture Lever to Puncture Pin (E/G)	4109	34	Nozzle Assembly, CR-A, CR-K, CR-LTK (E/G)	30817
10	Puncture Pin (E/G)	25305	35	Nozzle Plunger (E/G)	56117
11	Retaining Ring (E/G)	1903	36	O-Ring, Nozzle Assembly (E/G)	3469
12	Rivet, Link to Cartridge Receiver (E/G)	6286	37	Rivet, Nozzle Handle (E/G)	3621
13	Cartridge Guard, Composite, Std (G Only)	416346	38	Handle, Nozzle Assembly, Std (G Only)	419389
13	Cartridge Guard, Composite, LT (G Only)	416524	38	Handle, Nozzle Assembly, CR (G Only)	423461
13	Cartridge Guard, Metal (G Only)	426447	38	Handle, Nozzle Assembly, CR (E Only)	419389
13	Cartridge Guard, Metal, Std (E Only)	6302	38	Handle, Nozzle Assembly, HF (G Only)	426629
13	Cartridge Guard, Metal, CR (E Only)	17917	38	Handle, Nozzle Assembly, HF (E Only)	6580
13	Cartridge Guard, Metal, LT (E Only)	6967	39	Spring, Nozzle Handle (G Only)	419422
14	Ring Pin Cartridge Guard, Composite (G Only)	416347	39	Spring, Nozzle Handle (E Only)	30399
14	Ring Pin Cartridge Guard, Metal (G Only)	426450	40	Caplug (2) (E Only)	25154
14	Ring Pin Cartridge Guard, Metal (E Only)	7097	41	Tip, Nozzle Assembly, LT-A/CRLT-A, MLKYL	17932
15	Ring Pin and Chain Assembly (E/G)	7095	41	Tip, Nozzle Assembly, LT-A, LT-K (E/G)	25778
16	Rivet, Cartridge Guard (E Only)	6579	41	Tip, Nozzle Assembly, HF-A, HF-K (E/G)	25780
17	Carrying Handle, Std (E/G)	6169	41	Tip, Nozzle Assembly, PLUS-FIFTY Std, (E/G)	17908
17	Carrying Handle, CR (E/G)	17902	41	Tip, Nozzle Assembly, A & K Std (E/G)	30790
18	Carrying Handle Rivet (E/G)	1265	42	Nozzle Holder Assembly (E Only)	74206
19	Carrying Handle Spring (E/G)	2902	43	Nozzle Platform Screw (2) (E Only)	14908
20	Fill Cap w/Indicator, Std (E/G)	17999	44	Gas Tube Assembly (E/G)	6317
20	Fill Cap w/Indicator, CR (E/G)	422808	45	Hose Seal (Pkg of 30) (G Only)	415660
20	Fill Cap w/o Indicator, Std (E Only)	32028	46	Retaining Ring (Pkg of 50) (G Only)	415856
20	Fill Cap w/o Indicator, CR (E Only)	17903	-	Extinguisher Weather Cover (Not Shown) (E/G)	67637
21	Gasket, Fill Cap (E/G)	6190	-	Gasket Kit (Quad, Flat Gasket, Hose O-Ring)	415877
22	Quad Ring, Fill Cap (E/G)	6273	-	Hose Inspection Kit (Seal, Retainer Clip)	426688
23	Cap, Plastic (E/G)	17633			
24	Stem, Indicator (E/G)	27648			
25	Quad Ring (E/G)	17630			
26	Retaining Ring (E/G)	1239			

N/A = Not Available

RED LINE® FIRE EXTINGUISHER PARTS



\* FOR NOZZLE WITHOUT O-RING GROOVE, ORDER GASKET PART NO. 1230

GREEN = E MODEL ONLY

003279



RED LINE® FIRE EXTINGUISHER PARTS

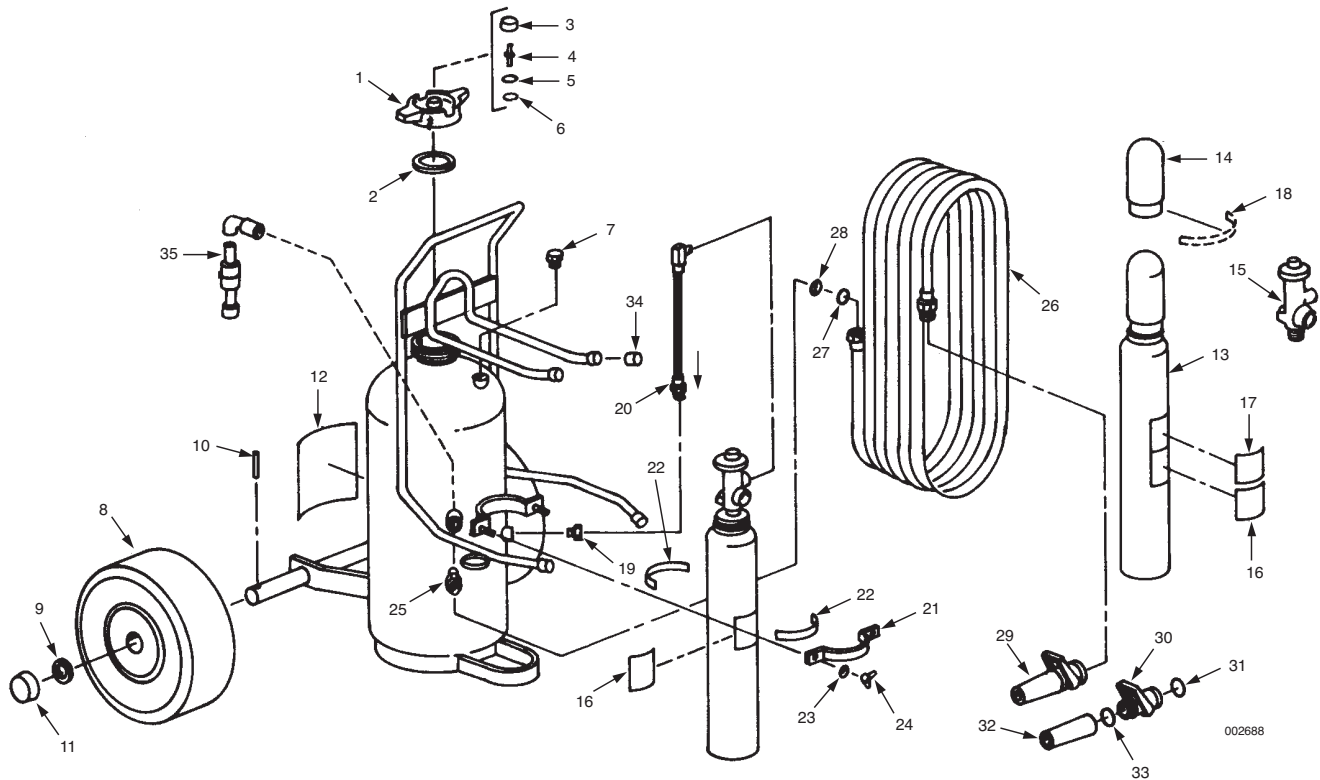
MODELS 30-E AND 30-G

Fig. No.	Description	Part No.	Fig. No.	Description	Part No.
1	Cartridge w/Cap, CO2, 30-L (E/G)	4615	29	O-Ring (E/G)	6324
	Cartridge w/Cap, N2, LT-30-R (E/G)	5373	30	Inspection Seal, Visual (E/G)	15999
2	Cartridge Shipping Cap, LH (E/G)	77250	31	Nameplate, Operating, Replacement	Pg. 64
2	Cartridge Shipping Cap, RH (E/G)	77251	32	Label, Low Temperature (E Only)	25167
3	Cartridge Receiver, RH (E/G)	1356	33	Nameplate, Maintenance, Replacement w/o UL	Pg. 64
3	Cartridge Receiver, LH (E/G)	3626	34	Nozzle Assembly, LT-A, MET-L-KYL (E/G)	14045
3	Cartridge Receiver, CR, LH (E/G)	17913	34	Nozzle Assembly, LT-K (E/G)	14047
4	Cap, Rubber (E/G)	1057	34	Nozzle Assembly, HF-A, HF-K (E/G)	15159
5	Gasket, Cartridge Receiver (E/G)	181	34	Nozzle Assembly, PLUS-FIFTY LT (E Only)	14706
6	Link, Cartridge Receiver (E/G)	1068	34	Nozzle Assembly, PLUS-FIFTY CR (E/G)	17931
7	Puncture Lever, Std (E/G)	3628	34	Nozzle Assembly, A & K Std (E/G)	30778
7	Puncture Lever, CR (E/G)	17915	34	Nozzle Assembly, CR-A, CR-K (E/G)	30818
8	Spring Pin, Link to Puncture Lever (E/G)	4108	34	Nozzle Assembly, MET-L-X (E/G)	30464
9	Spring Pin, Puncture Lever to Puncture Pin (E/G)	4109	34	Nozzle Assembly, LITH-X (E/G)	30464
10	Puncture Pin (E/G)	25305	35	Nozzle Plunger (E/G)	56117
11	Retaining Ring (E/G)	1903	36	O-Ring, Nozzle Assembly (E/G)	3469
12	Rivet, Link to Cartridge Receiver (E/G)	6286	37	Rivet, Nozzle Handle (E/G)	3621
13	Cartridge Guard, Composite (G Only)	418025	38	Handle, Nozzle Assembly, Standard (G Only)	419389
13	Cartridge Guard, Metal (G Only)	426455	38	Handle, Nozzle Assembly, Std (E Only)	6266
13	Cartridge Guard, Metal, Std (E Only)	6287	38	Handle, Nozzle Assembly, CR (G Only)	423461
13	Cartridge Guard, Metal, CR (E Only)	17938	38	Handle, Nozzle Assembly, CR (E Only)	17907
13	Cartridge Guard, Metal, LT (E Only)	6971	38	Handle, Nozzle Assembly, HF (G Only)	426629
13	Cartridge Guard, Metal, MET-L-X, LITH-X (E Only)	426455	38	Handle, Nozzle Assembly, HF (E Only)	6580
13	Cartridge Guard, Metal, MET-L-KYL (E Only)	426455	39	Spring, Nozzle Handle (G Only)	419422
13	Cartridge Guard, Composite LT (G Only)	418026	39	Spring, Nozzle Handle (E Only)	30399
14	Ring Pin Cartridge Guard, Composite (G Only)	418244	40	Caplug (2) (E Only)	25154
14	Ring Pin Cartridge Guard, Metal (G Only)	426458	41	Tip, Nozzle Assembly, PLUS-FIFTY LT (E Only)	25779
14	Ring Pin Cartridge Guard, Metal (E Only)	7207	41	Tip, Nozzle Assembly, LT-K (E/G)	17946
15	Ring Pin and Chain Assembly (E/G)	7095	41	Tip, Nozzle Assembly, HF-A, HF-K (E/G)	25781
16	Rivet, Cartridge Guard (E Only)	6579	41	Tip, Nozzle Assembly, LT-A, MET-L-KYL (E/G)	17932
17	Carrying Handle, Standard (E/G)	6169	41	Tip, Nozzle Assembly, A & K Std (E/G)	30791
17	Carrying Handle, CR (E/G)	17902	41	Tip, Nozzle Assembly, MET-L-X, LITH-X (E/G)	25799
18	Carrying Handle Rivet (E/G)	1265	42	Nozzle Holder Assembly (E Only)	74206
19	Carrying Handle Spring (E/G)	2902	43	Nozzle Platform Screw (2) (E Only)	14908
20	Fill Cap w/Indicator, Standard (E/G)	17999	44	Gas Tube Assembly (E/G)	6320
20	Fill Cap w/Indicator, CR (E/G)	422808	45	Hose Seal (Pkg of 30) (G Only)	415661
20	Fill Cap w/o Indicator, Standard (E Only)	32028	46	Retaining Ring (Pkg of 50) (G Only)	415857
20	Fill Cap w/o Indicator, CR (E Only)	17903	-	Extinguisher Weather Cover (Not Shown) (E/G)	67638
21	Gasket, Fill Cap (E/G)	6190	-	Gasket Kit (Quad Ring, Flat Gasket, Hose O-Ring)	415878
22	Quad Ring, Fill Cap (E/G)	6273	-	Hose Inspection Seal Kit (Seal & Retainer Clip)	426689
23	Cap, Plastic (E/G)	17633			
24	Stem, Indicator (E/G)	27648			
25	Quad Ring (E/G)	17630			
26	Retaining Ring (E/G)	1239			
27	Hanger Hook (E/G)	3651			
28	Hose w/Couplings, Std (E/G)	7083			
28	Hose w/Couplings, CR (E/G)	24451			

N/A = Not Available



WHEELED FIRE EXTINGUISHER PARTS

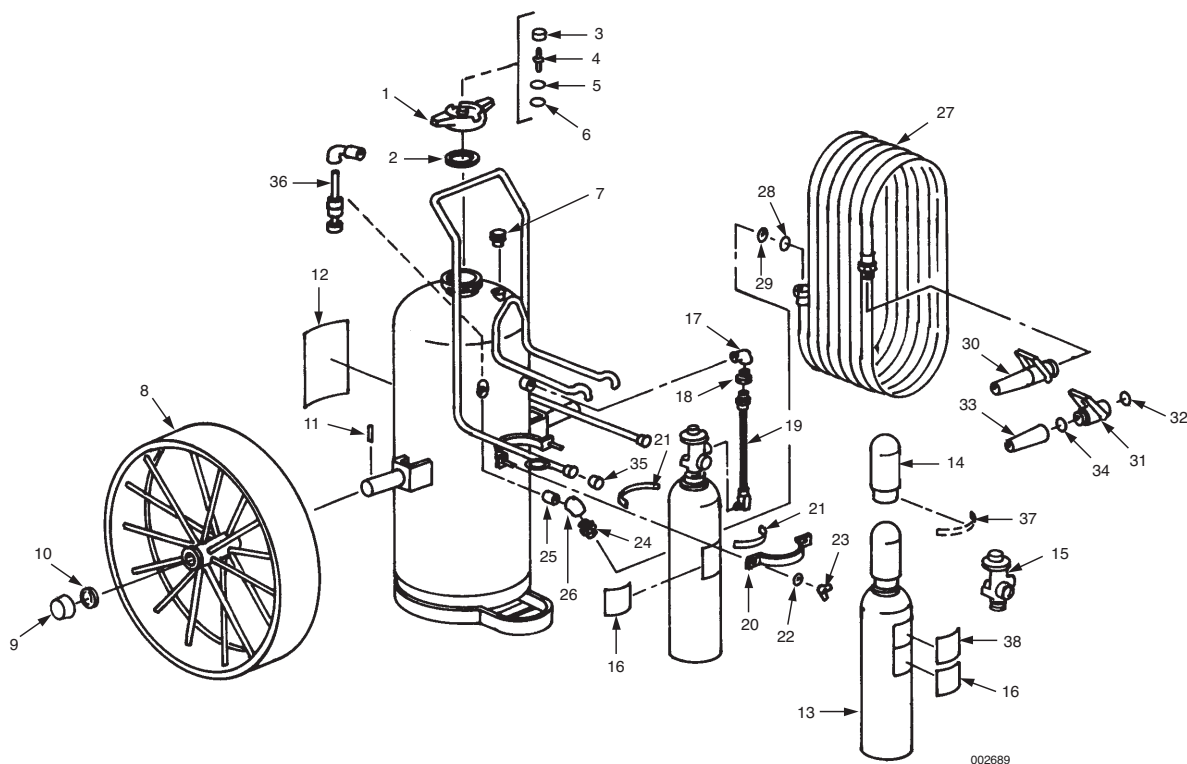


MODEL CR-150-D

Fig. No.	Description	Part No.	Fig. No.	Description	Part No.
1	Fill Cap, Indicator, w/Gasket	27335	19	Bushing 3/8 in x 1/4 in	19120
2	Gasket, Fill Cap	3461	20	Hose and Adaptor Assembly	423581
3	Housing, Indicator	17633	21	Clamp Assembly	24877
4	Stem, Indicator	27648	22	Rubber Pad	29748
5	Quad Ring	17630	23	Washer	1870
6	Retaining Ring	71675	24	Wingnut	78315
7	Valve, Safety Relief	78380	25	Adaptor, Tank Outlet To Hose	24931
8	Wheel Assembly, Semi-Pneumatic	53870	26	Hose Assembly, 3/4 in x 50 ft (15 m)	960
9	Washer	53541	27	Gasket, Hose Coupling	670
10	Pin, Cotter	19620	28	Disc, Visual Hose Inspection	14236
11	Cap, Hub	53867	29	Nozzle Assembly, Standard	31449
12	Plate, Instruction	Pg. 64	29	Nozzle Assembly, LR	31013
13	Cylinder, Nitrogen 23 cu ft, Std Valve	54694	30	Valve, Nozzle Assembly	8101
13	Cylinder, Nitrogen 23 cu ft, Quick-Opening Valve	54695	31	Gasket, Valve To Hose	11112
14	Cap, Safety Shipping	73066	32	Body, Nozzle, Standard	31448
15	Valve Assembly, Nitrogen Cylinder	Pg. 58	32	Body, Nozzle, LR	31014
16	Label, Nitrogen Cylinder, Std	53182	33	Gasket, Nozzle, Standard	8105
17	Label, Nitrogen Cylinder, QO Valve	10994	33	Gasket, Nozzle, LR	12734
18	Label, Nitrogen Cylinder Cap, QO Valve	11391	34	Cap, Protective	4120
-	Plug, Safety, QO Valve (Not Shown)	11453	35	Gas Tube Assembly	24775
			-	Tag, Inspection (Not Shown)	2364

N/A = Not Available

WHEELED FIRE EXTINGUISHER PARTS



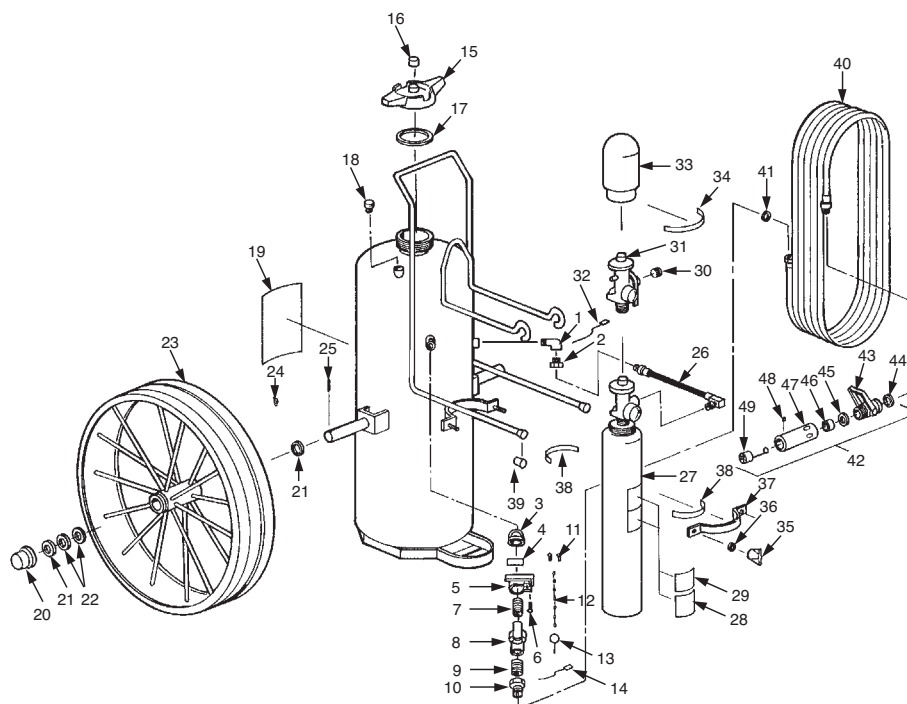
002689

MODEL CR-350-D

Fig. No.	Description	Part No.	Fig. No.	Description	Part No.
1	Fill Cap, Indicator, w/Gasket	27335	21	Rubber Pad	29414
2	Gasket, Fill Cap	3461	22	Washer	1870
3	Housing, Indicator	17633	23	Wingnut	78315
4	Stem, Indicator	27648	24	Adaptor	24930
5	Quad Ring	17630	25	Nipple, 3/4 in Extra Heavy	1978
6	Retaining Ring	71675	26	Elbow, 3/4 in 45°	1967
7	Valve, Safety Relief	78380	27	Hose Assembly 1 in x 50 ft	2271
8	Wheel Assembly (Steel – 6 in Width)	31015	28	Gasket, Hose Coupling	8105
9	Hub Cap	56739	29	Disc, Visual Inspection	14237
10	Washer (4)	67684	30	Nozzle Assembly, Standard, PLUS-FIFTY, FORAY	53881
11	Pin, Spring (2)	8560	30	Nozzle Assembly, Standard, Purple-K	53888
12	Nameplate, Replacement w/o UL	Pg. 64	30	Nozzle Assembly, LR	25906
13	Cylinder, Nitrogen, 55 cu ft, Std Valve	54696	31	Valve, Nozzle Assembly	12727
13	Cylinder, Nitrogen, 55 cu ft, QO Valve	54697	32	Gasket, Valve To Hose	11112
14	Cap, Safety Shipping	73066	33	Body, Nozzle Assembly, PLUS-FIFTY, FORAY	53882
15	Valve Assembly, Nitrogen Cylinder	Pg. 58	33	Body, Nozzle Assembly, Purple-K	53889
16	Label, Nitrogen Cylinder, Std Valve	53181	33	Body, Nozzle Assembly, LR	25907
16	Label, Nitrogen Cylinder, QO Valve	10994	34	Gasket, Nozzle, Standard	8105
16	Label, Nitrogen Cylinder Cap, QO Valve	11391	34	Gasket, Nozzle, LR	12734
-	Plug, Safety, QO Valve (Not Shown)	11453	35	Cap, Protective	4120
17	Elbow, Street	53537	36	Gas Tube Assembly	53535
18	Bushing 3/8 in x 1/4 in	8390	-	Tag, Inspection (Not Shown)	2364
19	Hose and Adaptor Assembly	423581			
20	Clamp Assembly	16359			

N/A = Not Available

WHEELED FIRE EXTINGUISHER PARTS

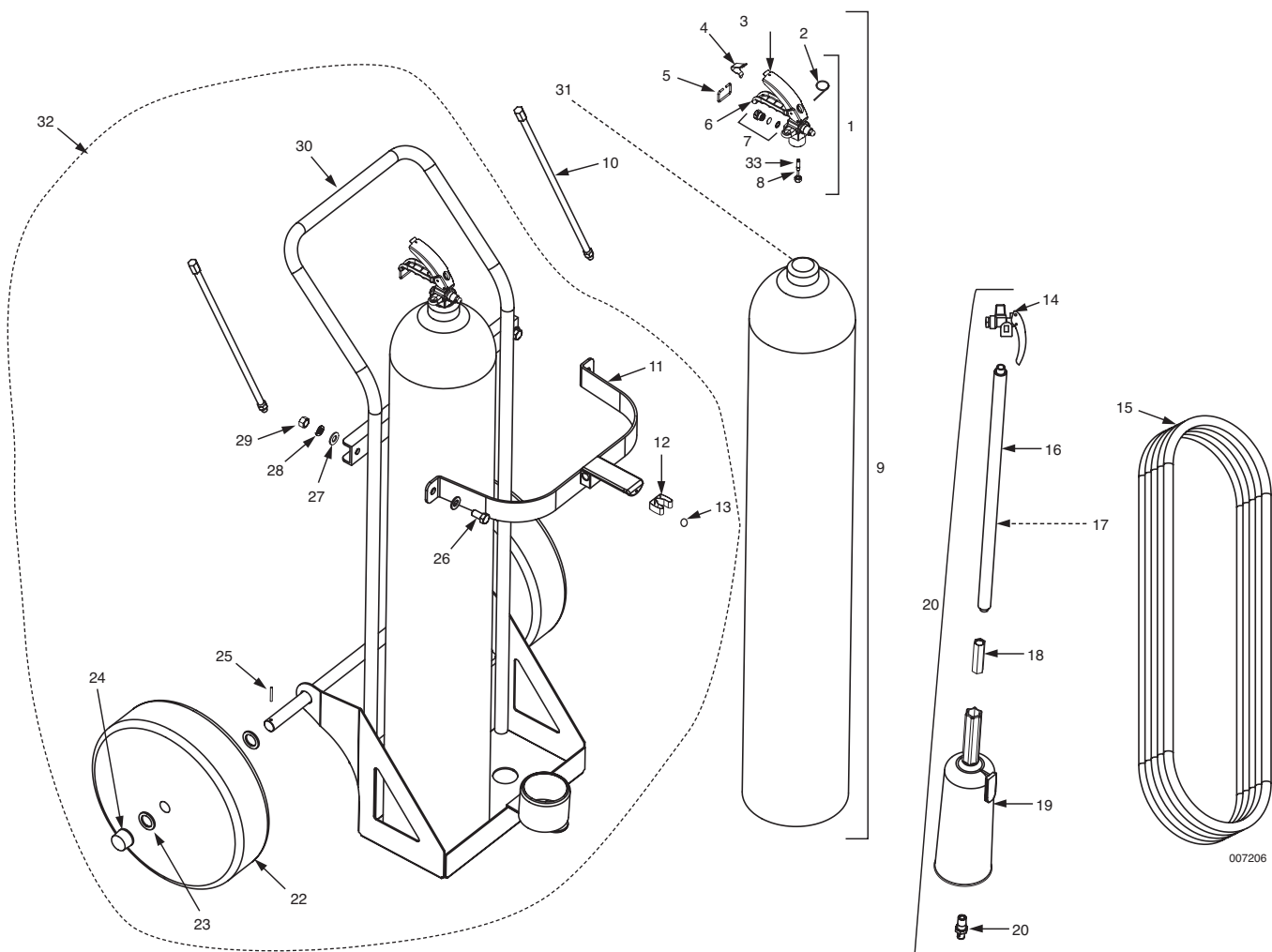


MODEL CR-AR-33-D

Fig. No.	Description	Part No.	Fig. No.	Description	Part No.
1	Elbow, Street, 3/8 in x 90°	53537	26	Nitrogen Hose Assembly	423581
2	Bushing, Reducing, 3/8 x 1/4 in	8390	27	Nitrogen Cylinder Assembly	54694
3	Elbow, 3/4 in x 45°	1967	27	Nitrogen Cylinder Assembly, QO Valve	53882
4	Nameplate, Agent Valve	69887	28	Label, Nitrogen Cylinder	53182
5	Bracket Nameplate (w/Speed Nut)	57555	29	Label, Nitrogen Cylinder, QO Valve	10994
6	Screw, Machine	57554	30	Safety Plug, Nitrogen Cylinder, QO Valve	11453
7	Nipple, 3/4 in	1979	31	Valve, Nitrogen Cylinder	Pg. 58
8	Valve, Butterfly, 3/4 in	55340	32	Seal, Visual Inspection	197
9	Nipple, Close, 3/4 in	1976	33	Cap, Cylinder Shipping	73066
10	Adaptor	24930	34	Label, Nitrogen Cylinder Cap, QO Valve	11391
11	Rivet, Pop (2)	25540	35	Wingnut (2)	78315
12	Chain, Ring Pin	2367	36	Washer (2)	1870
13	Pin, Ring	596	37	Clamp, Cylinder, Front	24877
14	Seal, Visual Inspection	197	38	Pad, Clamp Arm (2)	29748
15	Cap, Fill, Assembly	67669	39	Cap (2)	4120
16	Cap, Indicator	17633	40	Hose, 1 in x 50 ft (15 m)	2271
17	Gasket	67635	41	Gasket, Hose	8105
18	Relief, Safety	78380	42	Nozzle Assembly	53402
19	Nameplate, Replacement (2)	Pg. 64	43	Valve, Ball	12727
20	Cap, Hub (2)	56739	44	Gasket	12734
21	Washer (4)	67685	45	Gasket	8105
22	Washer (4)	67684	46	Orifice, Metering	53405
23	Wheel, Wide (2)	31015	47	Body, Nozzle	53663
23	Wheel, Rubber Tire (2)	31012	48	Screw, Set	53666
24	Fitting, Alemite (2)	1033	49	Screen Assembly	53410
25	Pin, Spring (2)	6560	—	Tag, Inspection (Not Shown)	2364

N/A = Not Available

WHEELED FIRE EXTINGUISHER PARTS

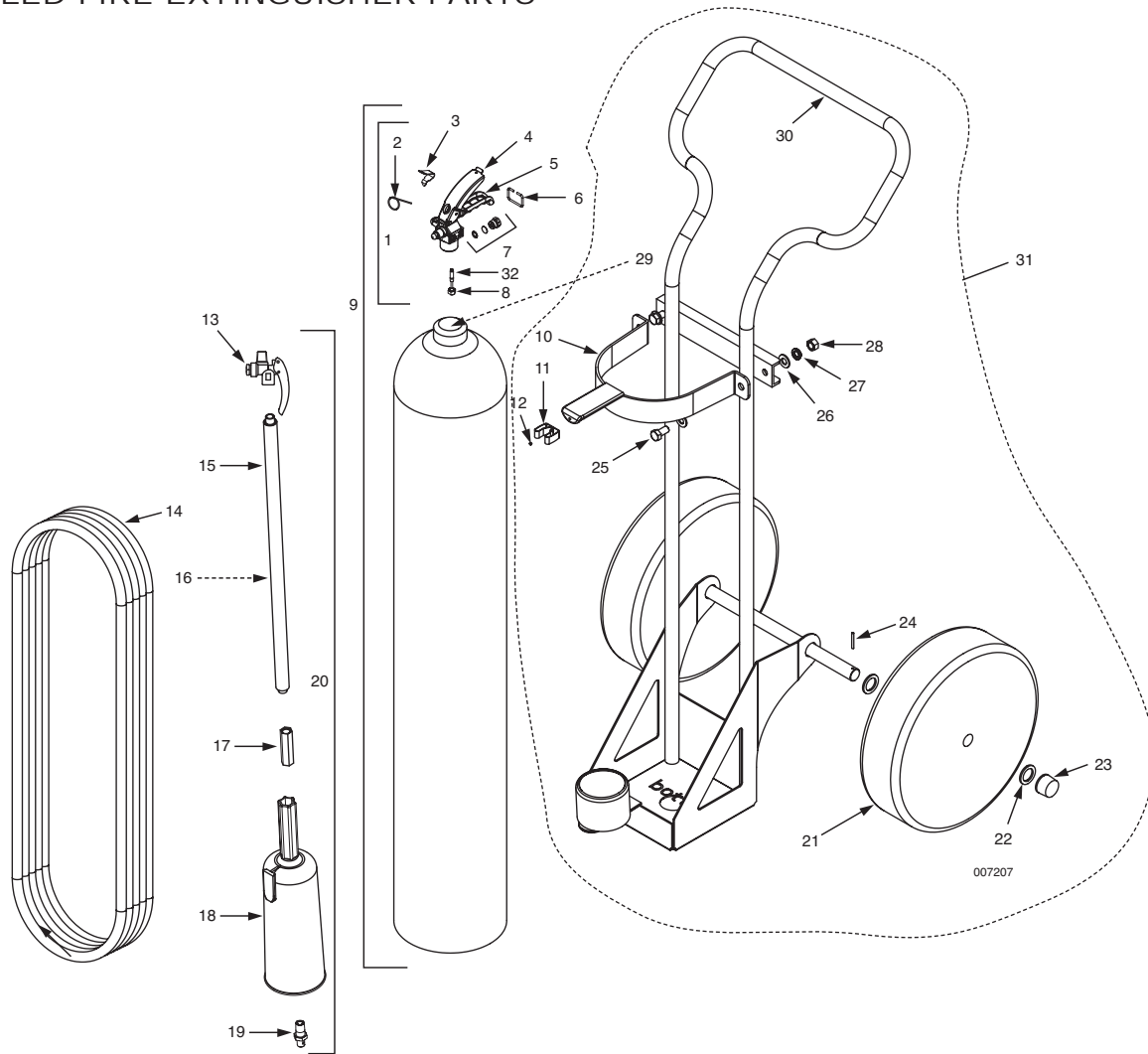


MODEL CD-100-D-1

Fig. No.	Description	Part No.	Fig. No.	Description	Part No.
1	Valve Assembly (no pick-up tube)	429238	19	Discharge Horn	429197
2	Pull Pin	423624	20	Discharge Nozzle	552723
3	Lever, Chrome	429243	21	Discharge Valve/Horn Assembly	429249
4	Leaf Spring	429162	22	16 in (40.6 cm) Wheel	53870
5	Lever Catch	429244	23	Washer	53541
6	Handle, Chrome	432776	24	Hub Cap	53867
7	Safety Plug Kit	434607	25	Roll Pin	69855
8	Plunger Stem	429154	26	1/2 – 13 Hex Head Bolt	16117
9	50 lb (22.7 kg) CO <sub>2</sub> Shipping Assembly	552314	27	1/2 Flat Washer	17486
10	20 in (50.8 cm) Hose Assembly	552356	28	1/2 Lockwasher	16121
11	Bracket – Painted	552311	29	1/2 – 13 Hex Nut	16119
12	Hose Clip	552309	30	100 lb (45.4 kg) CO <sub>2</sub> Cart Only	552313
13	Rivet – Stainless Steel	552307	31	Pickup Tube	552336
14	Discharge Valve Sub-Assembly	552719	32	100 lb (45.4 kg) CO <sub>2</sub> Cart Assembly (Excluding CO <sub>2</sub> Cylinder)	553327
15	Hose Assembly, 40 ft (12.2 m)	552302	33	O-Ring, Valve Stem	429159
16	Rubber Tubing	552721	—	Safety Plug Kit	429515
17	Discharge Pipe	552720			
18	Horn Adaptor	552724			

N/A = Not Available

WHEELED FIRE EXTINGUISHER PARTS

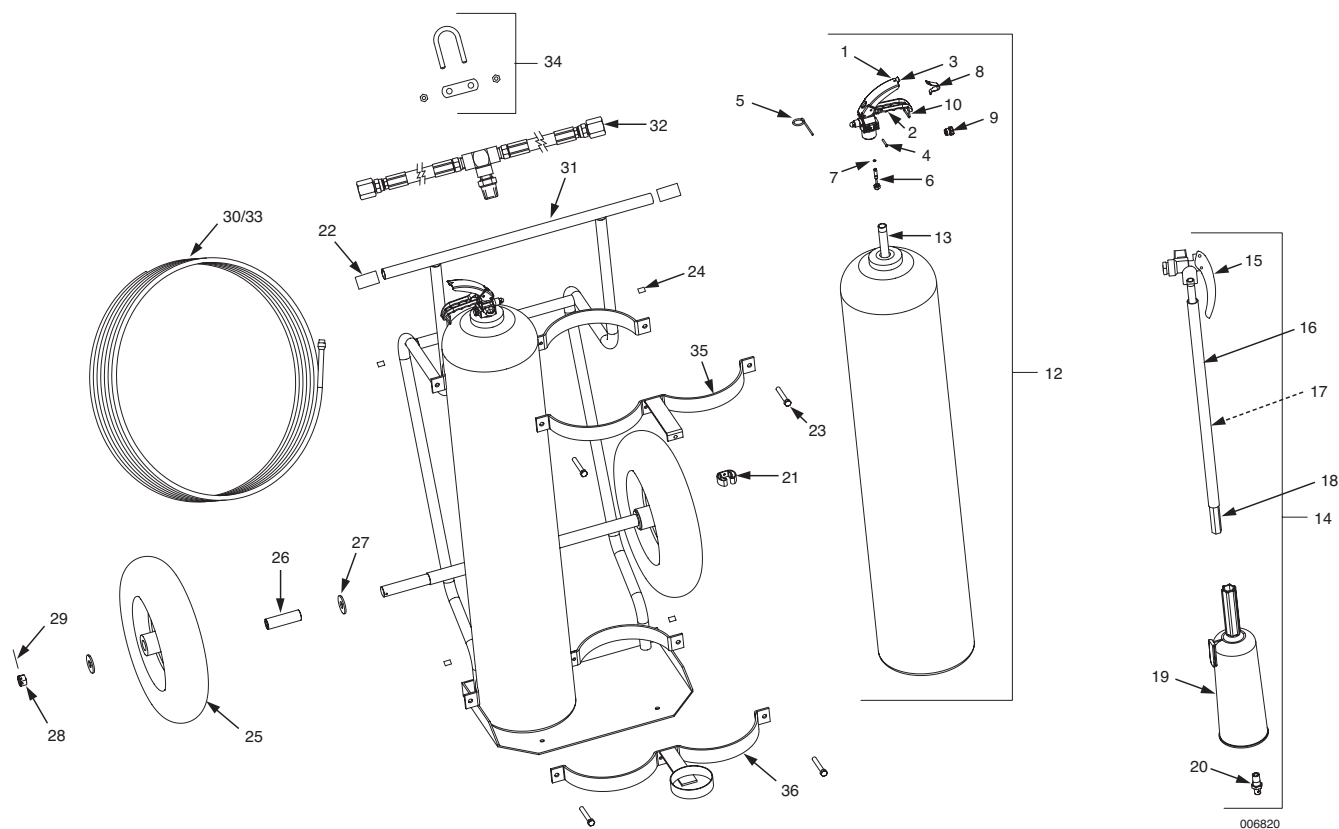


MODEL CD-50-D-1

Fig. No.	Description	Part No.	Fig. No.	Description	Part No.
1	Valve Assembly (no pick-up tube)	429238	18	Discharge Horn	429197
2	Pull Pin	423624	19	Discharge Nozzle	552723
3	Leaf Spring	429162	20	Discharge Valve/Horn Assembly	429249
4	Lever, Chrome	429243	21	16 in (40.6 cm) Wheel	53870
5	Handle, Chrome	432776	22	Washer	53541
6	Lever Catch	429244	23	Hub Cap	53867
7	Burst Disc	434607	24	Roll Pin	69855
8	Plunger Stem	429154	25	1/2 – 13 Hex Head Bolt	16117
9	50 lb (22.7 kg) CO <sub>2</sub> Shipping Assembly	552314	26	1/2 Flat Washer	17486
10	Bracket – Painted	552331	27	1/2 Lockwasher	16121
11	Hose Clip	552309	28	1/2 – 13 Hex Nut	16119
12	Rivet – Stainless Steel	552307	29	Pickup Tube	552336
13	Discharge Valve Sub-Assembly	552719	30	50 lb (22.7 kg) CO <sub>2</sub> Cart Only	552332
14	Hose Assembly, 15 ft (4.6 m)	552334	31	50 lb (22.7 kg) CO <sub>2</sub> Cart Assembly (Excluding CO <sub>2</sub> Cylinder)	553326
15	Rubber Tubing	552721	32	O-Ring, Valve Stem	429159
16	Discharge Pipe	552720	—	Safety Plug Kit	429515
17	Horn Adaptor	552724			

N/A = Not Available

WHEELED FIRE EXTINGUISHER PARTS



006820

MODEL CD-50-D AND CD-100-D

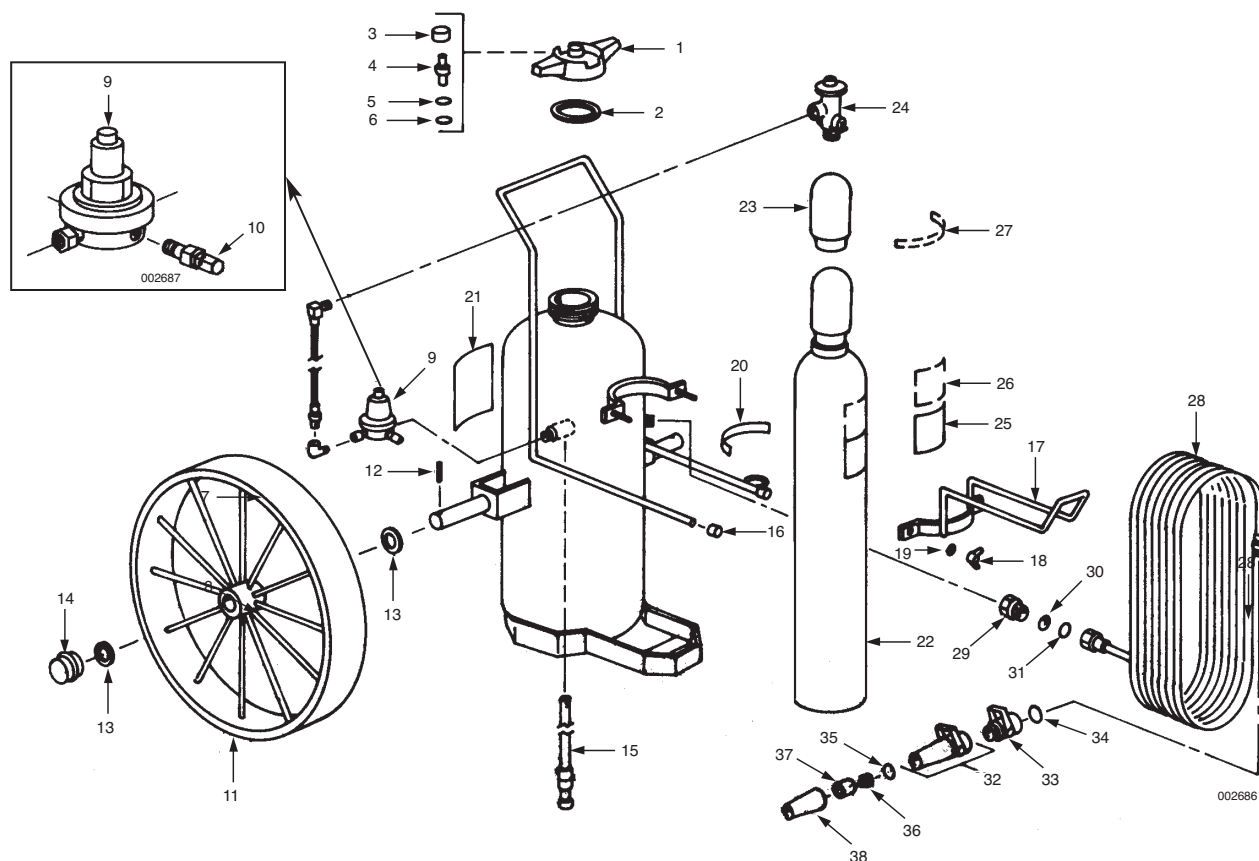
Fig. No.	Description	Part No.	Fig. No.	Description	Part No.
1	Valve Assembly (less pick-up tube)	429238	22	Handle Grip	N/A
2	Handle, Chrome	429242	23	Hex-Head Cap Screw	N/A
3	Lever, Chrome	429243	24	Lock Nut	N/A
4	Rivet	429165	25	Rubber Tire, 16 in (41 cm)	N/A
5	Pull Pin	423624	26	Wheel Bushing	N/A
6	Plunger Assembly	429154	27	Washer	N/A
7	O-Ring, Stem	429159	28	Slotted Hex Nut	N/A
8	Leaf Spring	429162	29	Cotter Pin	N/A
9	Burst Disc	434607	30	Hose Assembly, 15 ft (4.6 m), CD-50-D*	552334
10	Wire Catch	429244	31	Cart Sub-Assembly, CD-50-D	N/A
11	Visual Seal (Not Shown)	25940	31	Cart Sub-Assembly, CD-100-D	N/A
12	50 lb CO <sub>2</sub> Cylinder	N/A	32	Manifold Assembly, CD-100-D	N/A
13	Pick-up Tube	429247	33	Hose Assembly, 40 ft (12.2 m), CD-100-D	429273
14	Discharge Valve/Hose Assembly	429249	34	"U" Clamp and Nuts, CD-100-D	N/A
15	Discharge Valve Sub-Assembly	552719	35	Top-Front Bracket, CD-50-D	N/A
16	Rubber Tubing	552721	35	Top-Front Bracket, CD-100-D	N/A
17	Discharge Pipe	552720	36	Bottom Front Bracket, CD-50-D	N/A
18	Horn Adaptor	552724	36	Bottom Front Bracket, CD-100-D	N/A
19	Discharge Horn	429197	37	Non-UL Replacement Nameplate (Not Shown)	Pg. 64
20	Discharge Nozzle	552723	—	Safety Plug Kit	429515
21	Hose Clip	552309			

\*In addition to hose assembly, a 1/2 in. stainless steel coupling, Part No. 27995, must also be ordered.

N/A = Not Available



WHEELED FIRE EXTINGUISHER PARTS



WHEELED FIRE EXTINGUISHER PARTS – MODEL CR-150-C (POST-1988)

Fig. No.	Description	Part No.	Fig. No.	Description	Part No.
1	Fill Cap, Indicator	27335	23	Shipping Cap, Nitrogen Cylinder	73066
2	Gasket	3461	24	Valve, Nitrogen Cylinder	Pg. 58
3	Indicator Cap	17633	25	Label, Nitrogen Cylinder	3477
4	Indicator Stem	27648	26	Label, Nitrogen Cylinder, QO Valve	10994
5	Quad Ring	17630	27	Label, Cylinder Cap, QO Valve	11391
6	Retaining Ring	71675	28	Hose, 3/4 in x 50 ft (15 m), Standard	960
7	Nitrogen Hose Assembly	423585	28	Hose, 3/4 in x 100 ft (30 m), Standard	4761
8	Street Elbow	78409	28	Hose, 3/4 in x 50 ft (15 m), LT	2272
9	Pressure Regulator Replacement Kit	419327	28	Hose, 3/4 in x 100 ft (30 m), LT	26299
10	Pressure Relief Valve	78704	29	Adaptor, FORAY, PLUS-FIFTY, Purple-K, LR	24931
11	Wheel, Steel, Standard	29508	30	Visual Hose Inspection Disc	14236
11	Wheel, Wide, WW	31015	31	Gasket	670
11	Wheel, Rubber Coated	31012	32	Nozzle Assembly, FORAY, PLUS-FIFTY	29506
12	Spring Pin	8560	32	Nozzle Assembly, Purple-K	31449
13	Washer	67684	32	Nozzle Assembly, LR	31013
14	Hub Cap	56739	33	Ball Valve	8101
15	Gas Tube (Without Coupling)	78713	34	Gasket, Valve To Hose	11112
16	Cap	4120	35	Gasket, Nozzle, Standard	8105
17	Clamp/Hose Hanger	78328	35	Gasket, Nozzle, LR	12734
18	Wing Nut	78315	36	Tip, Nozzle	12703
19	Washer	1870	37	Sleeve, Nozzle	8103
20	Rubber Pad	29414	38	Body, Nozzle, Except LR & Purple-K	29507
21	Nameplate, Replacement w/o UL	Pg. 64	38	Body, Nozzle, LR	31014
22	Nitrogen Cylinder Assembly	24707	38	Body, Nozzle, Purple-K	31448
22	Nitrogen Cylinder Assembly, QO Valve	31060			

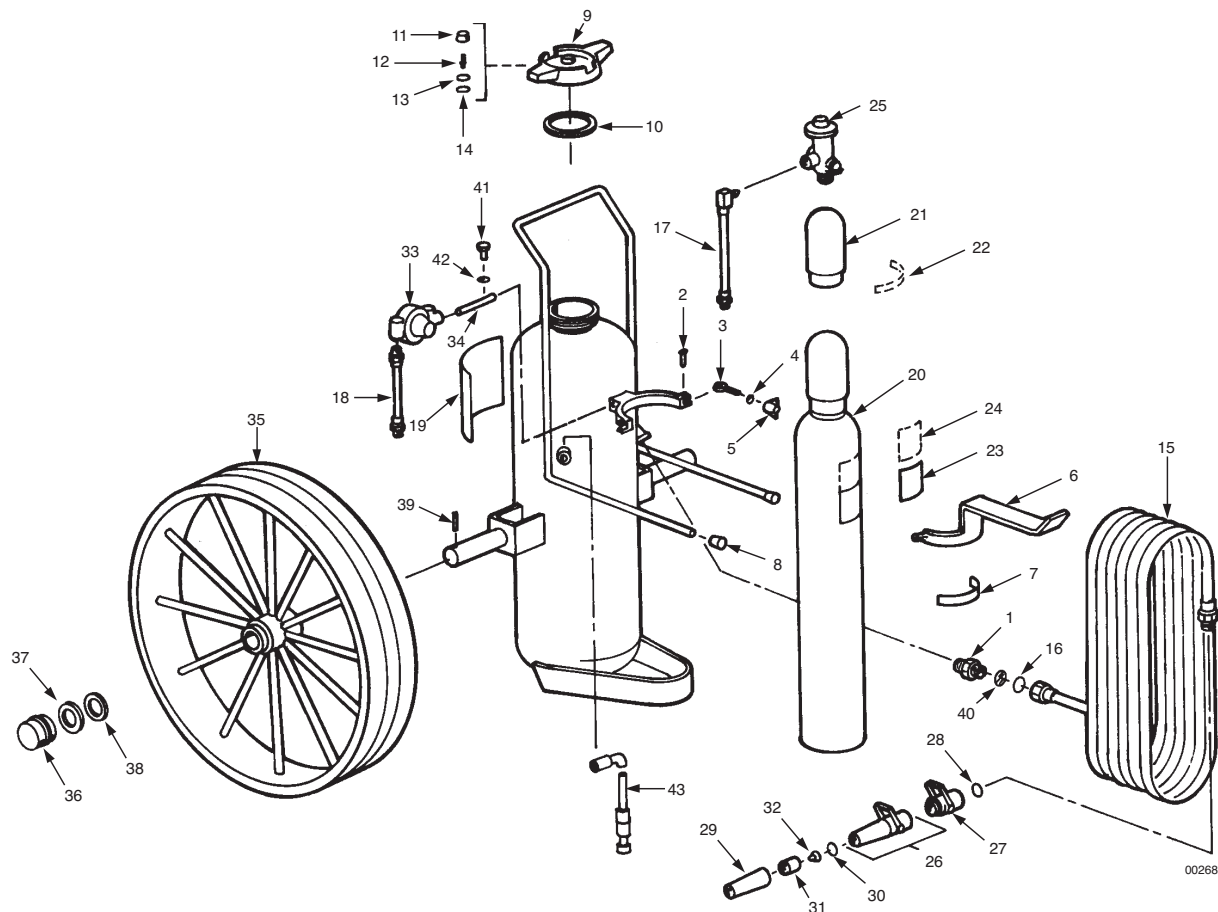


## WHEELED FIRE EXTINGUISHER PARTS

MODEL CR-350-C (POST-1988)

Fig. No.	Description	Part No.	Fig. No.	Description	Part No.
1	Fill Cap, Indicator	27335	24	Valve, Nitrogen Cylinder	Pg. 58
2	Gasket	3461	25	Label, Nitrogen Cylinder	3391
3	Indicator Cap	17633	26	Label, Nitrogen Cylinder, QO Valve	10994
4	Indicator Stem	27648	27	Label, Cylinder Cap, QO Valve	11391
5	Quad Ring	17630	28	Hose, 1 in x 50 ft (15 m), Standard	2271
6	Retaining Ring	71675	28	Hose, 1 in x 100 ft (30 m), Standard	10930
7	Nitrogen Hose Assembly	423585	28	Hose, 1 in x 50 ft (15 m), LT	2133
8	Street Elbow	78409	28	Hose, 1 in x 100 ft (30 m), LT	10931
9	Pressure Regulator Replacement Kit	419327	29	Adaptor, FORAY, PLUS-FIFTY, Purple-K, LR	78316
10	Pressure Relief Valve	78704	29	Adaptor, Purple-K except LR	24930
11	Wheel, Steel, Standard	25908	30	Visual Hose Inspection Disc	14237
11	Wheel, Rubber Coated	31016	31	Gasket	8105
12	Spring Pin	8560	32	Nozzle Assembly, FORAY, PLUS-FIFTY	31922
13	Washer	67684	32	Nozzle Assembly, Purple-K	31547
14	Hub Cap	56739	32	Nozzle Assembly, LR	25906
15	Gas Tube (Without Coupling)	77912	33	Ball Valve	12727
16	Cap	4120	34	Gasket, Valve To Hose	8105
17	Clamp/Hose Hanger	78362	35	Gasket, Nozzle, Standard	8105
18	Wing Nut	78315	35	Gasket, Nozzle, LR	12734
19	Washer	1870	36	Tip, Nozzle	12707
20	Rubber Pad	79183	37	Sleeve, Nozzle	8103
21	Nameplate, Replacement w/o UL	Pg. 64	38	Body, Nozzle, Except LR	29507
22	Nitrogen Cylinder Assembly	24708	38	Body, Nozzle, LR	25907
22	Nitrogen Cylinder Assembly, QO Valve	31061	38	Body, Nozzle, Purple-K	31548
23	Shipping Cap, Nitrogen Cylinder	73066			

WHEELED FIRE EXTINGUISHER PARTS



MODEL CR-150-C (PRE-1989)

Fig. No.	Description	Part No.	Fig. No.	Description	Part No.
1	Adaptor, Tank Outlet to Hose	3902	20	Nitrogen Cylinder Assembly, 110-B	24707
2	Rivet, Eyebolt	15392	20	Nitrogen Cylinder Assembly, 110-B, QO Valve	31060
3	Eyebolt, Clamp Ring	3358	21	Cap, Nitrogen Cylinder	73066
4	Washer	1870	22	Label, Nitrogen Cylinder Cap, QO Valve	11391
5	Wing Nut, Eyebolt	78315	23	Label, Nitrogen Cylinder, Standard	3477
6	Clamp Ring 'B' w/Hose Support	78260	24	Label, Nitrogen Cylinder, QO Valve	10994
7	Rubber Pad	29414	25	Valve Assembly, Nitrogen Cylinder, Standard & QO	Pg. 58
8	Confiner Tip	4120	26	Nozzle Assembly, Standard Cone Tip, Pre-1976	29506
9	Fill Cap, Indicator, w/Gasket	27335	26	Nozzle Assembly, Purple-K Only, 1976-1988	31449
10	Gasket, Fill Cap	3461	26	Nozzle Assembly, LR-36	31013
11	Housing, Indicator	17633	27	Valve, Nozzle Assembly	8101
12	Stem, Indicator	27648	28	Gasket, Valve To Hose	11112
13	Quad Ring	17630	29	Body, Nozzle, Standard Cone Tip, Pre-1976	29507
14	Retaining Ring	71675	29	Body, Nozzle, Purple-K Only, 1976-1988	31448
15	Hose Assembly, 3/4 in x 50 ft	960			
16	Gasket, Hose Coupling	670			
17	Hose and Adaptor Assembly, 3/8 in	423581			
18	Hose Assembly, 3/8 in, Regulator To Tank	8750			
19	Nameplate, Replacement w/o UL	Pg. 64			

Continued on Next Page

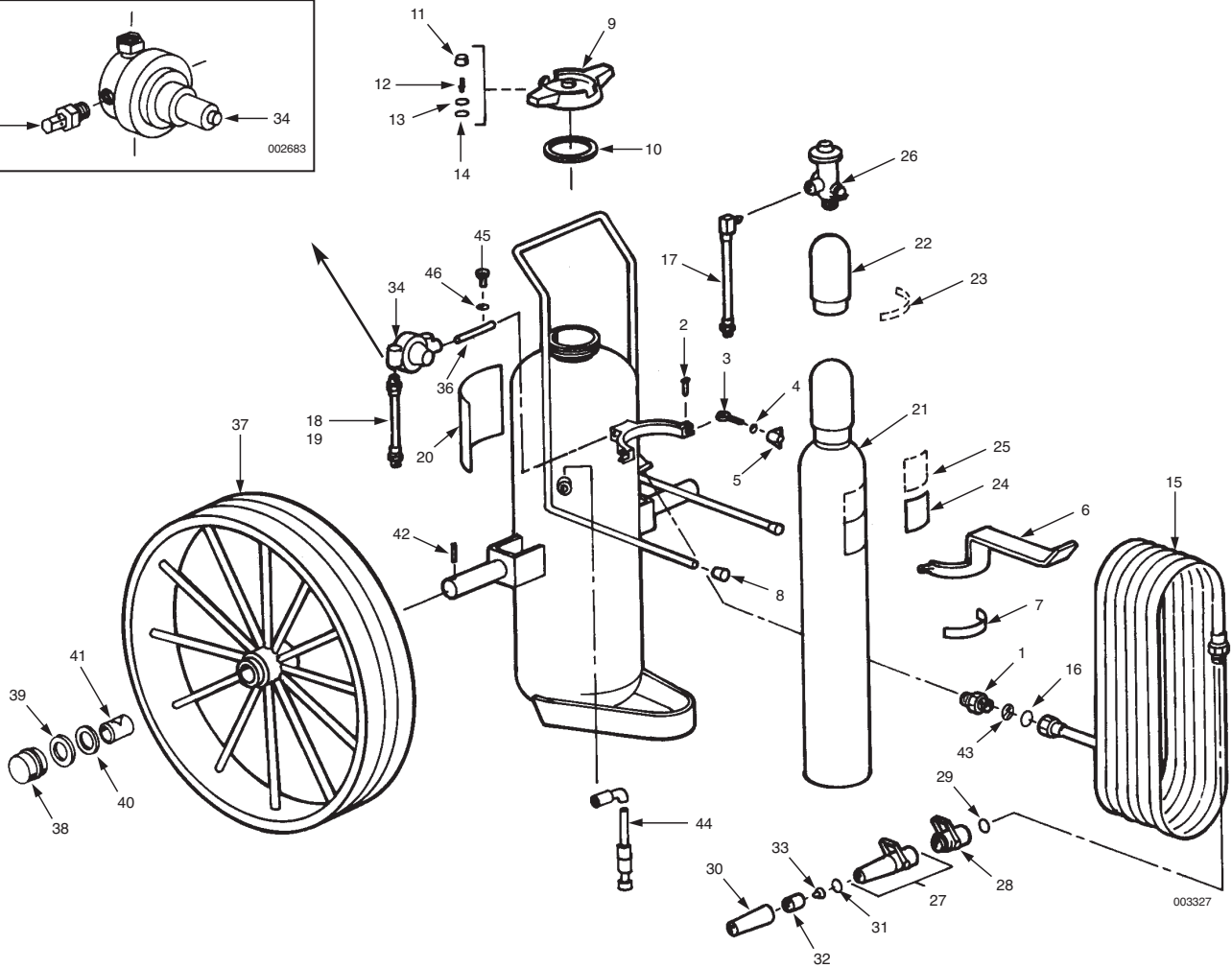
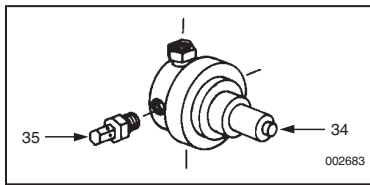
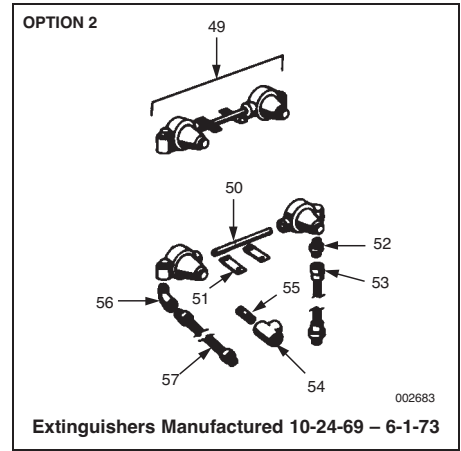
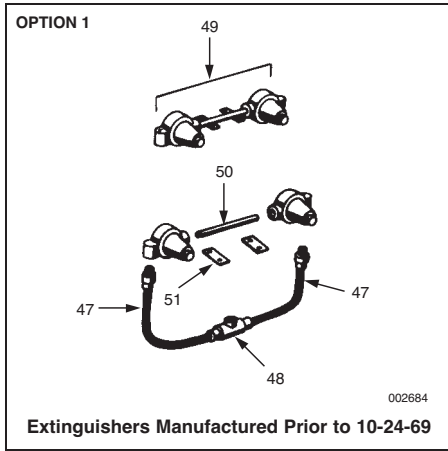
WHEELED FIRE EXTINGUISHER PARTS

MODEL CR-150-C (PRE-1989) (Continued)

<b>Fig. No.</b>	<b>Description</b>	<b>Part No.</b>	<b>Fig. No.</b>	<b>Description</b>	<b>Part No.</b>
29	Body, Nozzle Assembly, LR-36	31014	38	Washer	N/A
30	Gasket, Nozzle Assembly	8105	39	Pin, Spring	8560
30	Gasket, Nozzle Assembly, LR-36	12734	40	Visual Hose Inspection Disc	14236
31	Sleeve, Nozzle Assembly, Standard Cone Tip, Pre-1976	8103	41	Cap Screw, Regulator Mounting	16301
32	Tip, Nozzle Assembly, Std Cone Tip, Pre-1976	12703	42	Lockwasher, Regulator Mounting	1133
33	Regulator Replacement Kit	419327	43	Gas Tube Assembly	15469
34	Support, Regulator	74265	—	Strap, Regulator Mounting (Not Shown)	3373
35	Wheel Assembly, 3 in Wide, Steel, Red	29508	—	Lockwasher, Regulator Mounting (2) (Not Shown)	14235
36	Hub Cap	56739	—	Hex Nut, Regulator Mounting (2) (Not Shown)	14234
37	Washer	67684			

N/A = Not Available

WHEELED FIRE EXTINGUISHER PARTS



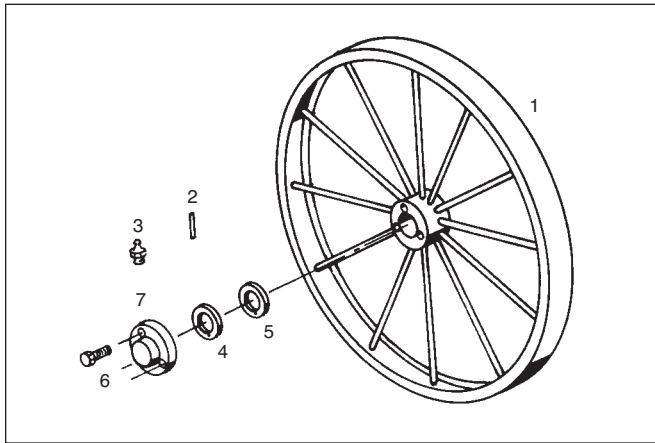
WHEELED FIRE EXTINGUISHER PARTS

MODEL CR-350-C (PRE-1989)

Fig. No.	Description	Part No.	Fig. No.	Description	Part No.
1	Adaptor, Tank Outlet to Hose	7837	31	Gasket, Nozzle Assembly, LR-44	12734
2	Rivet, Eyebolt	15392	32	Sleeve, Nozzle Assembly, Cone Tip, Pre-1976	8103
3	Eyebolt, Clamp Ring	3358	33	Tip, Nozzle Assembly, Cone Tip, PLUS-FIFTY, Pre-1976	12707
4	Washer	1870	34	Regulator Replacement Kit	419327
5	Wing Nut, Eyebolt	78315	35	Pressure Relief Valve	78704
6	Clamp Ring 'B' w/Hose Support	4008	36	Support, Regulator	56077
7	Rubber Pad	79183	37	Wheel Assembly, Steel, Red	25908
8	Confiner Tip	4120	38	Hub Cap	56739
9	Fill Cap, Indicator, w/Gasket	27335	39	Washer	67684
10	Gasket, Fill Cap	3461	40	Washer	N/A
11	Housing, Indicator	17633	41	Bearing Assembly, Pre-1982	2455
12	Stem, Indicator	27648	41	Bearing Assembly, Post-1982	68306
13	Quad Ring	17630	42	Pin, Spring	8560
14	Retaining Ring	71675	43	Visual Hose Inspection Disc	14237
15	Hose Assembly, 1 in x 50 ft	2271	44	Gas Tube Assembly	77912
16	Gasket, Hose Coupling	8105	45	Cap Screws, Regulator Mounting	16301
17	Hose and Adaptor Assembly, 3/8 in	423581	46	Lockwasher, Regulator Mounting	1133
18	Hose Assembly, 3/8 in, Regulator To Tank	25462	—	Strap, Regulator Mounting (Not Shown)	3373
19	Adaptor Union, Swivel	25582	—	Lockwasher, Regulator Mounting (2) (Not Shown)	14235
20	Nameplate, Replacement w/o U.L. Manifest	Pg. 64	—	Hex Nut, Regulator Mounting (2) (Not Shown)	14234
21	Nitrogen Cylinder Assembly, 220-B	24708	47	Hose Assembly, Regulator To Tank (2) (Option 1)	8748
21	Nitrogen Cylinder Assembly, 220-B, QO Valve	31061	48	Tee (Option 1)	3364
22	Cap, Nitrogen Cylinder	73066	49	Regulator Assembly (Option 1), Replacement	423456
23	Label, Nitrogen Cylinder Cap, QO Valve	11391	49	Regulator Assembly (Option 2), Replacement	423456
24	Label, Nitrogen Cylinder, Standard	3391	50	Nipple Assembly (Option 1)	3972
25	Label, Nitrogen Cylinder, QO Valve	10994	50	Nipple Assembly (Option 2)	3972
26	Valve Assembly, Nitrogen Cylinder, Standard & QO Valve	Pg. 58	51	Mounting Strap (Option 1)	3373
27	Nozzle Assembly, Cone Tip, PLUS-FIFTY, Pre-1976	31922	51	Mounting Strap (Option 2)	3373
27	Nozzle Assembly, Purple-K, 1976-1988	31547	52	Adaptor, Nipple (Option 2)	908
27	Nozzle Assembly, LR-44	25906	53	Hose Assembly, 3/8 in Nitrogen, HP (Option 2)	65049
28	Valve, Nozzle Assembly, Standard	12727	54	Tee, 3/8 in NPT (Option 2)	942
28	Valve, Nozzle Assembly, LR-44	10057	55	Nipple, 3/8 in NPT (Option 2)	302
29	Gasket, Valve To Hose	8105	56	Elbow, 1/4 in x 45 Street (Option 2)	16578
30	Body, Nozzle Assembly, Standard	29507	57	Hose Assembly, 3/8 in Nitrogen, LP (Option 2)	8750
30	Body, Nozzle Assembly, Purple-K	31548			
30	Body, Nozzle Assembly, LR-44	25907			
31	Gasket, Nozzle Assembly, Std	8105			

N/A = Not Available

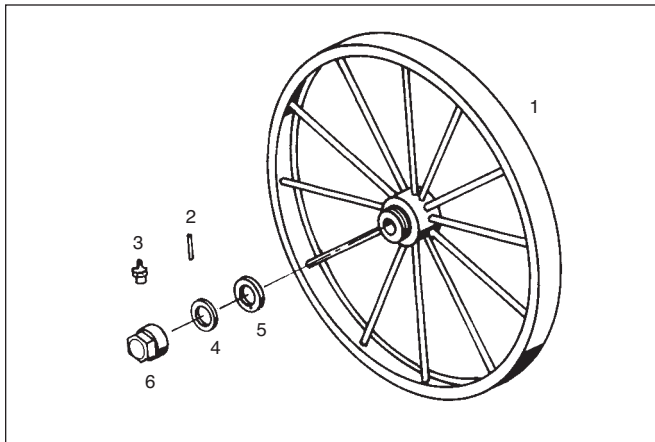
WHEEL ASSEMBLY PARTS



MODEL 150-A/B (PRE-1961)  
3-HOLE BOLT-ON HUBCAP

Fig. No.	Description	Part No.
1	Wheel, 2 1/2 in Steel	29508
1	Wheel, 6 in Steel	31015
1	Wheel, Rubber-Coated	31012
2	Spring Pin	8560
3	Alemite Fitting	1033
4	Washer	67684
5	Washer	67685
6	Bolt	257
7	Hubcap	N/A

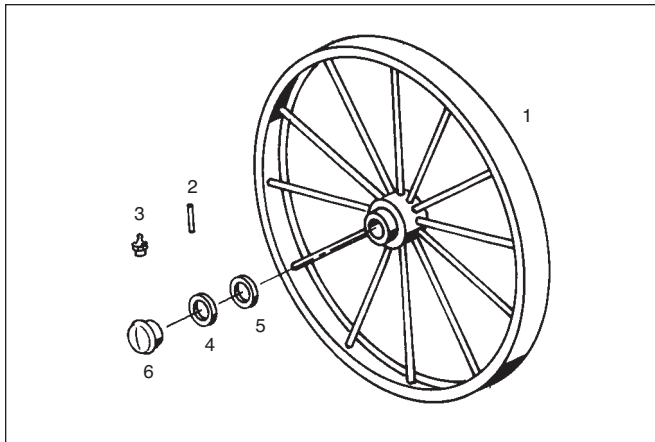
N/A = Not Available



MODEL 150-B/C (1961-82) THREADED HUBCAP

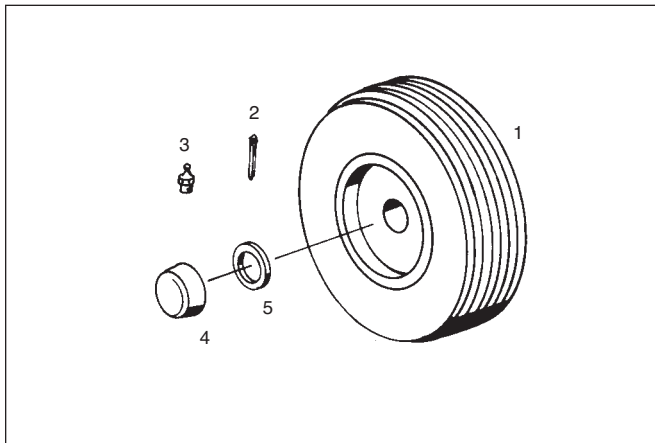
Fig. No.	Description	Part No.
1	Wheel, 2 1/2 in Steel	29508
1	Wheel, 6 in Steel	31015
1	Wheel, Rubber-Coated	31012
2	Spring Pin	8560
3	Alemite Fitting	1033
4	Washer	67684
5	Washer	67685
6	Hubcap	8776

N/A = Not Available



MODEL 150-C (POST-1982) POP-ON HUBCAP

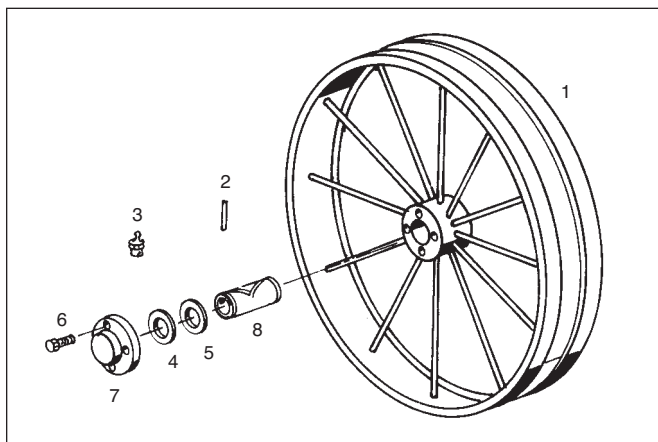
Fig. No.	Description	Part No.
1	Wheel, 2 1/2 in Steel	29508
1	Wheel, 6 in Steel	31015
1	Wheel, Rubber-Coated	31012
2	Spring Pin	8560
3	Alemite Fitting	1033
4	Washer	67684
5	Washer	67685
6	Hubcap	56739



MODEL 150-D VINYL SNAP-ON HUBCAP

Fig. No.	Description	Part No.
1	Wheel, Steel	53870
2	Spring Pin	19620
3	Alemite Fitting	1033
4	Washer	53541
5	Hubcap	53867

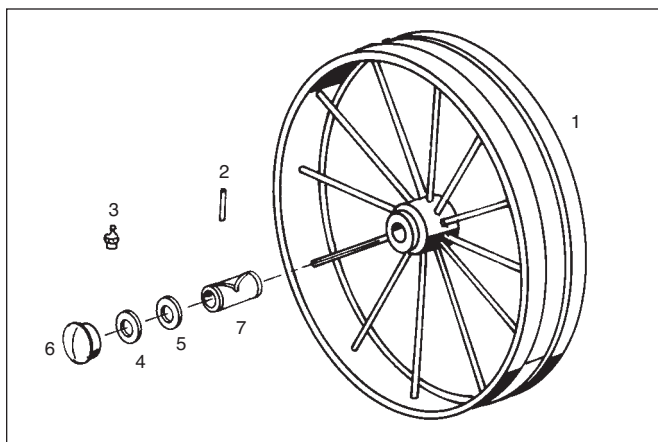
WHEEL ASSEMBLY PARTS



MODEL 350-A/B/C (PRE-1982)  
4-HOLE BOLT-ON HUBCAP

Fig. No.	Description	Part No.
1	Wheel, 6 in Steel	N/A
2	Spring Pin	8560
3	Alemite Fitting	1033
4	Washer	67684
5	Washer	N/A
6	Bolt	268
7	Hubcap, CR	N/A
8	Bearing Assembly	2455

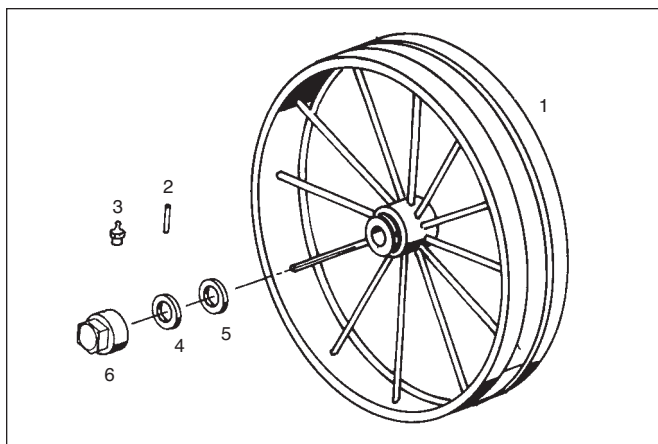
N/A = Not Available



MODEL 350-C (POST-1982) POP-ON HUBCAP

Fig. No.	Description	Part No.
1	Wheel, 6 in Steel	25908
2	Spring Pin	8560
3	Alemite Fitting	1033
4	Washer	67684
5	Washer	67685
6	Hubcap	56739
7	Bearing	68306

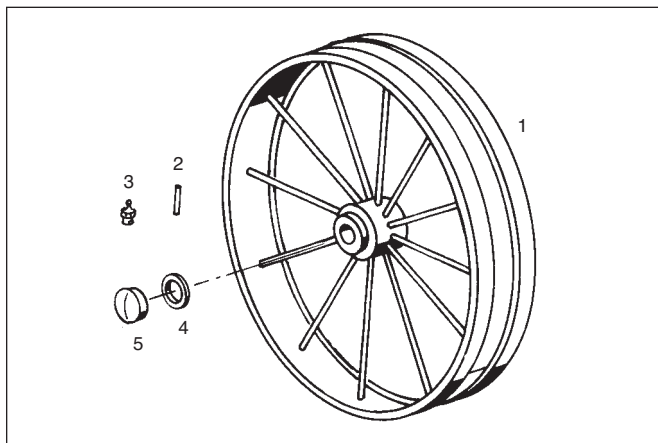
N/A = Not Available



MODEL 350-D AND 33-D (1980-1982)  
THREADED HUBCAP

Fig. No.	Description	Part No.
1	Wheel, 6 in Steel	31015
1	Wheel, Rubber-Coated	31012
2	Spring Pin	8560
3	Alemite Fitting	1033
4	Washer	67684
5	Washer	67685
6	Hubcap	8776

N/A = Not Available

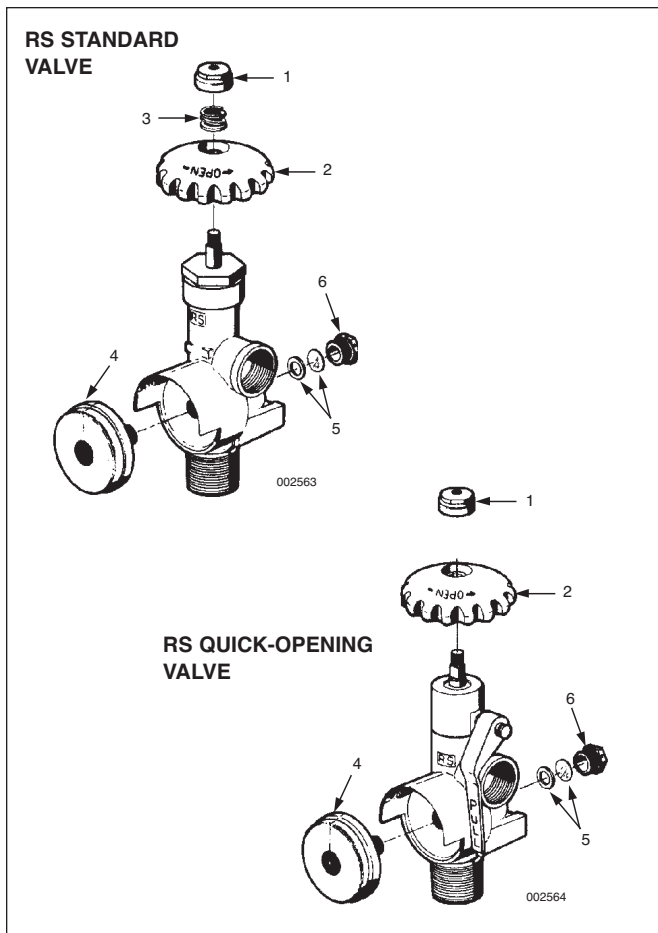


MODEL 350-D AND 33-D  
(POST-1982) POP-ON HUBCAP

Fig. No.	Description	Part No.
1	Wheel, 6 in Steel	31015
1	Wheel, Rubber-Coated	31012
2	Spring Pin	8560
3	Alemite Fitting	1033
4	Washer	67684
5	Hubcap	56739

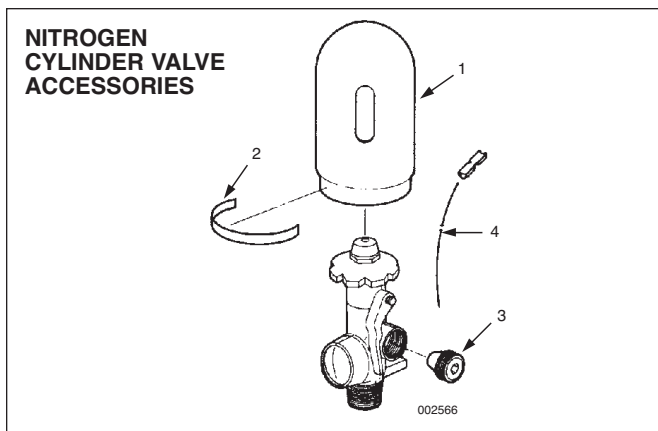


WHEELED EXTINGUISHER & LARGE DRY CHEMICAL SYSTEM PARTS



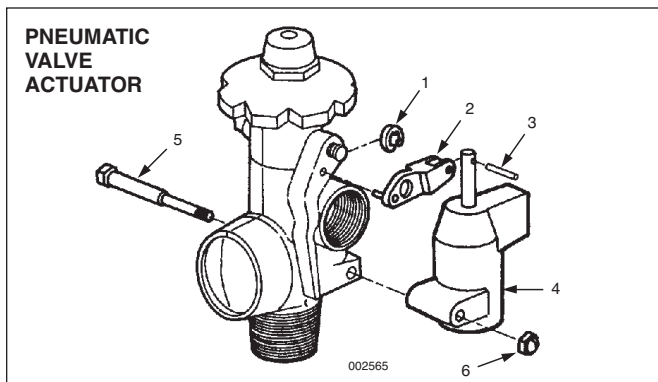
NITROGEN CYLINDER VALVE PARTS - STANDARD & QUICK-OPENING (QO)

Fig. No.	Description	Part No.
-	Valve Assembly, Std, 22/55/110/220 (RS)	78706
-	Valve Assembly, QO, 22/55/110/220 (RS)	78705
-	Valve Assembly, QO, 300/400 (RS)	419100
1	Nut, Handwheel	78710
2	Handwheel	78708
3	Spring, Std Valve Only	79139
4	Gauge	78707
5	Safety Disc & Washer	78711
6	Plug, Safety Relief	78709



NITROGEN CYLINDER VALVE ACCESSORIES

Fig. No.	Description	Part No.
1	Shipping Cap, Nitrogen Cylinder	73066
2	Label, Shipping Cap	11391
3	Plug, Safety Shipping	11453
4	Inspection Seal	15999



PNEUMATIC ACTUATOR PARTS (QUICK-OPENING VALVE ONLY)

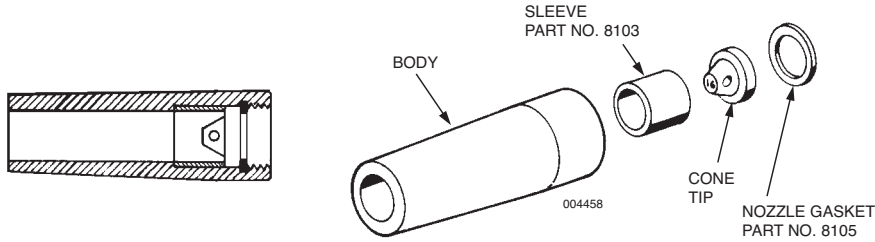
Fig. No.	Description	Part No.
-	Actuator Assembly, QO Valve	11160
1	Crescent Ring	11322
2	Actuator Arm	11389
3	Roll Pin	11172
4	Body, Actuator	11161
5	Anchor Stud	11171
6	Cap Nut	11173

WHEELED EXTINGUISHER NOZZLE IDENTIFICATION CHART

**CONE TIP STYLES**

ANSUL BODY PART NO.

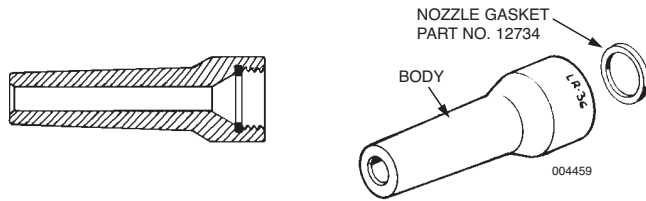
Part No.	Cone Tip Stamp	Ansul Cone Tip Part No.
29507	#16	12703
	#25	12707
	#24	15478
	#23	8104 (HF-35)
	(N/A) Painted Red	10059 (HF-70)



**LONG RANGE (LR) STYLES**

ANSUL BODY PART NO.

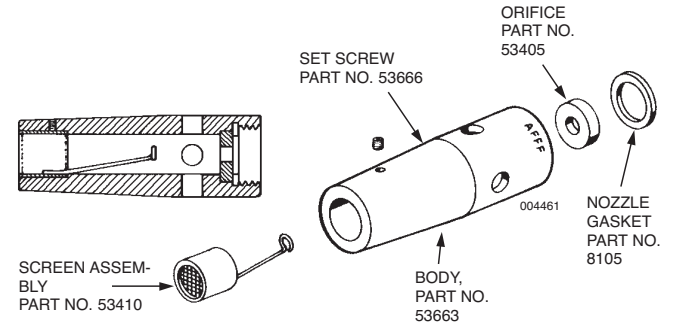
Nozzle Body Stamp	Corrosion Resistant
LR-36	31014
LR-44	25907



**FOAM STYLE**

Nozzle Body Stamp  
AFFF

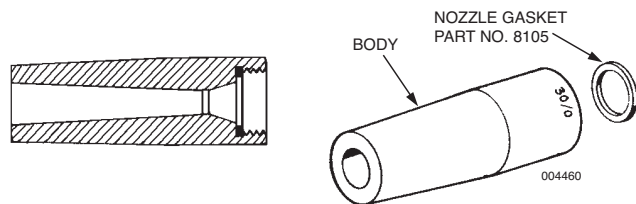
Ansul Nozzle Body Part No.  
53663



**CONVERGING/DIVERGING STYLES**

ANSUL BODY PART NO.

Nozzle Body Stamp	Corrosion Resistant
52	53882
30/0	31548
23/3	31448
425	53889



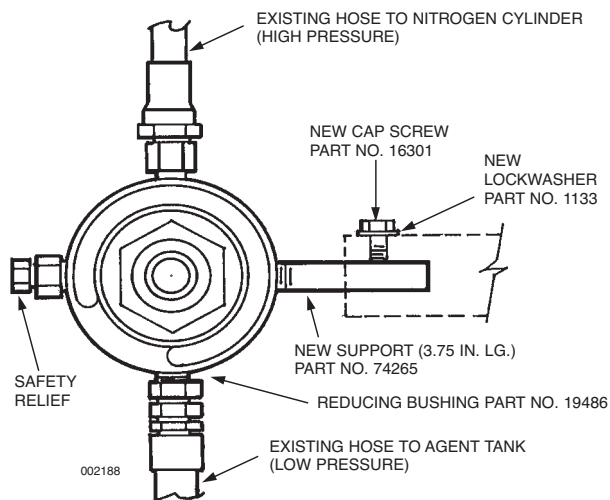
SINGLE REGULATOR FIELD REPLACEMENT KIT INSTALLATION INSTRUCTIONS

**CAUTION**

Immediately after removing high pressure hose from N<sub>2</sub> cylinder outlet, make certain safety plug is put in place in outlet. If valve is accidentally operated, velocity of unrestricted escaping gas is forceful enough to cause injury, especially about the face and head.

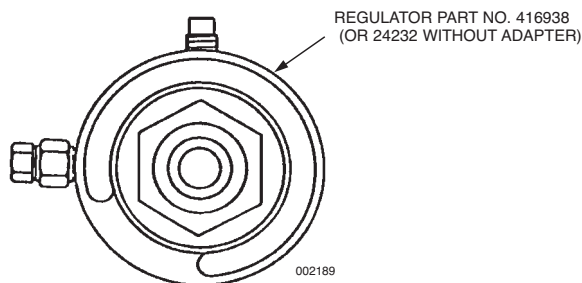
The quick-opening lever may be moved slightly forward, approximately 1/4 in. (6.4 mm). Forward movement in excess of 1/4 in. (6.4 mm) may result in actuation of the valve.

**150 B MODEL WHEELED UNIT**



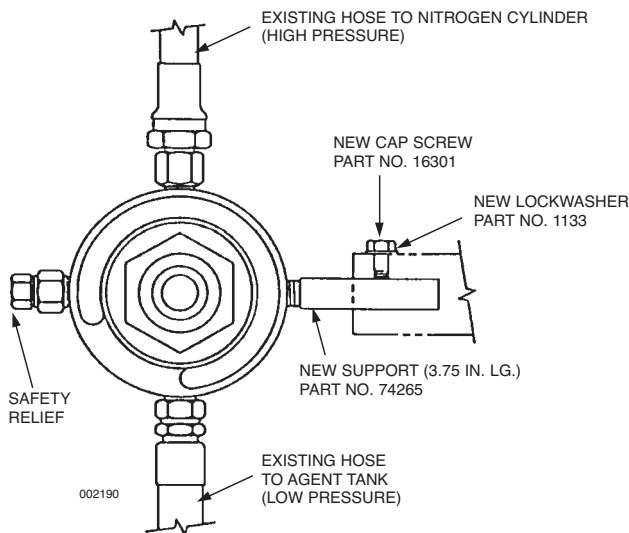
- Remove hose from nitrogen cylinder.
- Remove high and low pressure hoses from regulator.
- Remove regulator and support from clamp by removing cap screw.
- Install new support, Part No. 74265, into 1/4 in. connection on new regulator, opposite of safety relief.
- Install reducing bushing, Part No. 19486, into 3/8 in. low pressure outlet.
- Remount regulator support into clamp and secure with cap screw and lockwasher.
- Reattach hoses to regulator and nitrogen cylinder.

**POST-1989 C-MODEL WHEELED UNIT**



- Replace existing regulator with Part No. 416938 regulator.

**PRE-1988 C MODEL WHEELED UNITS**



- Remove hose from nitrogen cylinder.
- Remove high and low pressure hoses from regulator.
- Remove regulator and support from clamp by removing cap screw.
- Install new support, Part No. 74265, into 1/4 in. connection on new regulator, opposite of safety relief.
- Remount regulator support into clamp and secure with cap screw and lockwasher.
- Reattach hoses to regulator and nitrogen cylinder.

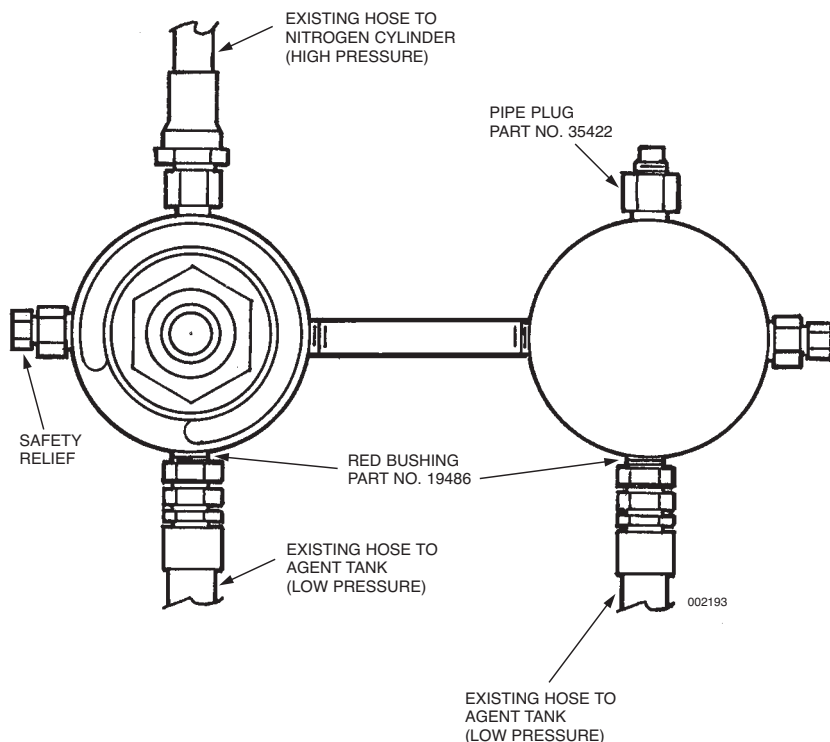
## DUAL REGULATOR FIELD REPLACEMENT KIT INSTALLATION INSTRUCTIONS

**CAUTION**

Immediately after removing high pressure hose from N<sub>2</sub> cylinder outlet, make certain safety plug is put in place in outlet. If valve is accidentally operated, velocity of unrestricted escaping gas is forceful enough to cause injury, especially about the face and head.

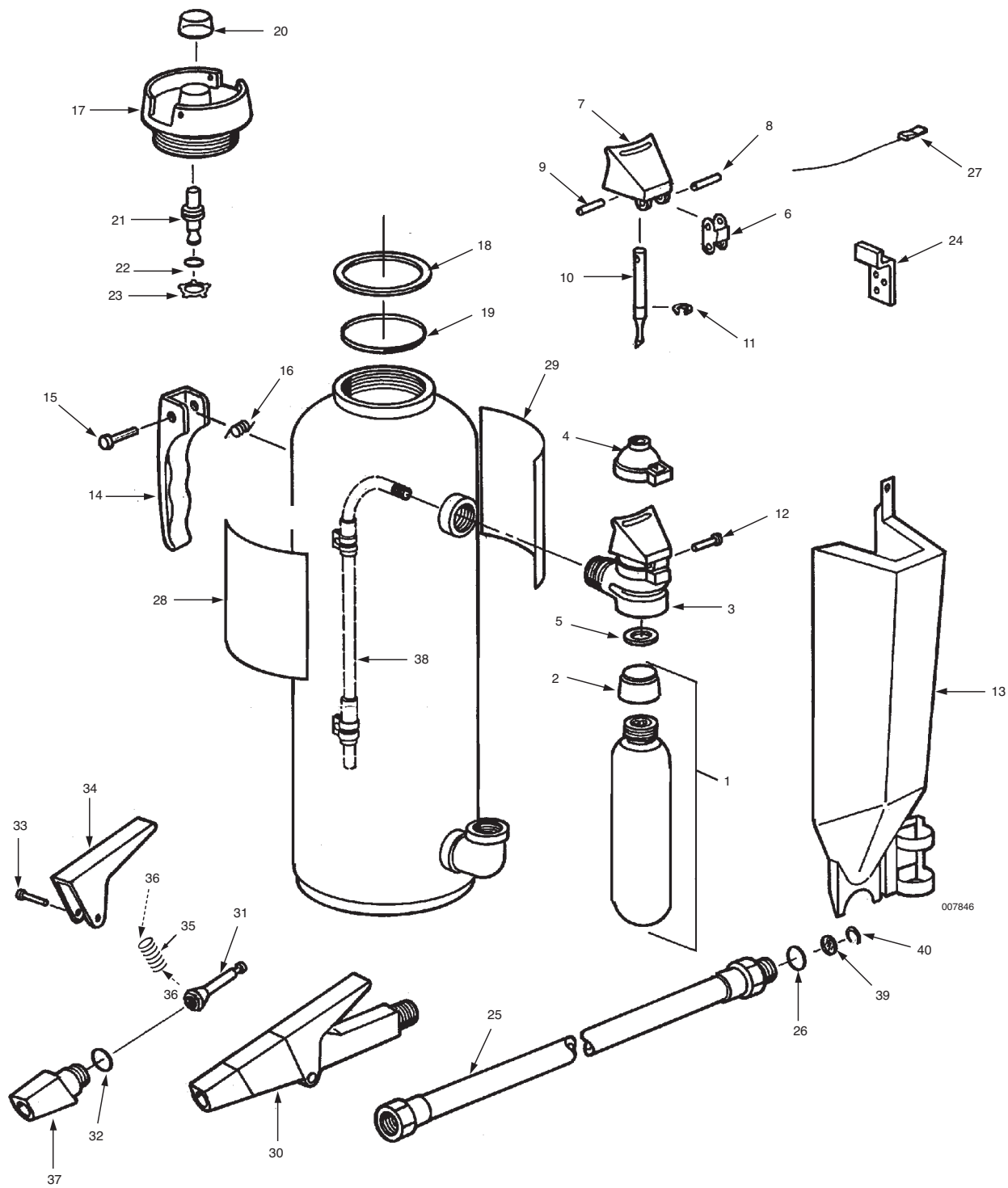
The quick-opening lever may be moved slightly forward, approximately 1/4 in. (6.4 mm). Forward movement in excess of 1/4 in. (6.4 mm) may result in actuation of the valve.

### WHEELED UNITS



- Remove hose from nitrogen cylinder.
- Remove high and low pressure hoses from regulators.
- Remove regulator and nipple assembly from clamp by removing cap screws.
- Install 3/8 in. x 1/4 in. reducing bushing into 3/8 in. port on nitrogen regulator.
- Install pipe plug into the high pressure adaptor on one of the new regulators.
- Install nipple assembly, Part No. 3972, into 1/4 in. connection on next regulator, opposite safety relief. Position regulators facing opposite of each other.
- Remount regulator assembly with the regulator that has the 1/4 in. pipe plug on the right side, when facing the cylinder clamp. This regulator will face the extinguisher shell and the left regulator will face away from the extinguisher shell at angle not to hit tank.
- Reattach hoses to regulator and nitrogen cylinders.

SPILL-GUN® APPLICATOR SC-30-A, SC-30-C, SC-30-S



SPILL-GUN® APPLICATOR

MODELS SC-30-A, SC-30-C, SC-30-S

Fig. No.	Description	Part No.	Fig. No.	Description	Part No.
1	Cartridge w/Cap, N2, LT-30-R	5373	24	Hanger Hook	3651
2	Cartridge Shipping Cap, RH	77251	25	Hose w/Couplings, CR	24451
3	Cartridge Receiver, CR	24449	26	O-Ring	6324
4	Cap, Rubber	1057	27	Inspection Seal, Visual	15999
5	Gasket, Cartridge Receiver	181	28	Nameplate, Operating, Replacement	
6	Link, Cartridge Receiver	1068	29	Nameplate, Maintenance, Replacement w/o UL	
7	Puncture Lever, CR	17915	30	Nozzle Assembly	30818
8	Spring Pin, Link to Puncture Lever	4108	31	Nozzle Plunger	56117
9	Spring Pin, Puncture Lever to Puncture Pin	4109	32	O-Ring, Nozzle Assembly	3469
10	Puncture Pin	25305	33	Rivet, Nozzle Handle	3621
11	Retaining Ring	1903	34	Handle, Nozzle Assembly, CR	423461
12	Rivet, Link to Cartridge Receiver	6286	35	Spring, Nozzle Handle	419422
13	Cartridge Guard, Composite	418026	36	Caplug (2)	25154
14	Carrying Handle, CR	17902	37	Tip, Nozzle Assembly	30791
15	Carrying Handle Rivet	1265	38	Gas Tube Assembly	6320
16	Carrying Handle Spring	2902	39	Hose Seal (Pkg of 30)	415661
17	Fill Cap w/Indicator, CR	422808	40	Retaining Ring (Pkg of 50)	415857
18	Gasket, Fill Cap	6190	-	Extinguisher Weather Cover (Not Shown)	67638
19	Quad Ring, Fill Cap	6273	-	Gasket Kit (Quad Ring, Flat Gasket, Hose O-Ring)	415878
20	Cap, Plastic	17633	-	Hose Inspection Seal Kit (Seal & Retainer Clip)	426689
21	Stem, Indicator	27648			
22	Quad Ring	17630			
23	Retaining Ring	1239			

N/A = Not Available

FIRE EXTINGUISHER NAMEPLATES/MANUALS/ADAPTORS

CARTRIDGE-OPERATED HAND PORTABLE  
(OPERATING NAMEPLATE)

Extinguisher Model No.	Nameplate Part No.
5, K-5	69563
A-5	69564
10-C	N/A
20-D, 30-D, LT-20-D, LT-30-D	N/A
LR-10-C	N/A
LR-20-D, LR-30-D	N/A
A-10-C	N/A
A-20-D, A-30-D, LT-A-20-D, LT-A-30-D	N/A
K-10-C	N/A
K-20-D, K-30-D, LT-K-20-D, LT-K-30-D	N/A
10/20/30-E/G except RP and Metal Agents	N/A
RP-10/20/30-E/G	N/A
A-10/20/30-E/G except RP and Metal Agents	69567
RP-A-10/20/30-E/G	69570
K-10/20/30-E/G except RP and Metal Agents	69566
RP-K-10/20/30-E/G	69569
MX-30-E/G	6459
LX-30-E/G	10039
ML-30-E/G	10038

CARTRIDGE-OPERATED HAND PORTABLE  
(MAINTENANCE NAMEPLATE W/O UL/ULC)

Extinguisher Model No.	Nameplate Part No.
5, A-5, K-5	16440
10-C	N/A
20-D	N/A
30-D	N/A
LT-20-C	N/A
LT-30-C	N/A
LR-10-C	N/A
LR-20-D	N/A
LR-30-D	N/A
A-10-C	N/A
A-20-D	N/A
A-30-D	N/A
LT-A-20-C	N/A
LT-A-30-C	N/A
K-10-C	N/A
K-20-D	N/A
K-30-D	N/A
LT-K-20-C	N/A
LT-K-30-C	N/A
All 10-E/G, A-10-E/G, K-10-E/G	416373
All 20-E/G, A-20-E/G, K-20-E/G	416374
All 30-E/G, A-30-E/G, K-30-E/G except Metal Agent	416375
MX-30-E	422613
MX-30-G	422613
LX-30-E/G	10039
ML-30-E/G	418179

WHEELED EXTINGUISHERS  
(OPERATING & MAINTENANCE NAMEPLATE)

Extinguisher Model No.	Nameplate Part No.
A-150/350-C, A-150-D	74338
150/350-C, K-150/350-C, 150-D, K-150-D	16444
350-D	70367
A-350-D	70366
K-350-D	70365
LR-350-D, LR-K-350-D	70371
LR-A-350-D	70383
AR-33-D	70157
CD-50-D	432331
CD-100-D	432333



FIRE EXTINGUISHER NAMEPLATES/MANUALS/ADAPTORS

STORED PRESSURE EXTINGUISHERS (OPERATING & MAINTENANCE NAMEPLATES)

Extinguisher Model No.	Nameplate Part No.	Extinguisher Model No.	Nameplate Part No.
A02, A02VB	430852	SY-0211 (Maint)	N/A
A05, A05VB	430853	SY-0211 (Oper)	N/A
A10H	430855	SY-0215, 0216	70288
A10I	429679	SY-0512 (Maint)	N/A
A10T	430856	SY-0512, 0612 (Oper)	N/A
A20I	429682	SY-0515	N/A
AA05, AA05VB	430854	SY-0516	N/A
AA20	430857	SY-0517	N/A
C02VB	429667	SY-0521	N/A
C05	429671	SY-0531	417374
C10	429675	SY-0571, 0572	430860
C10I	429681	SY-0612 (Maint)	N/A
C20	430858	SY-0613, 0614	73006
C20I	429684	SY-0622 (Maint)	N/A
CA-0681	N/A	SY-0622 (Oper)	N/A
CA-1081	N/A	SY-0633, 0634, 0635	N/A
CA-1481	N/A	SY-1012, 2012 (Maint)	N/A
CD05	430860	SY-1012, 2012 (Oper)	N/A
CD10	430861	SY-1013, 1014	N/A
CD15	430862	SY-1015	N/A
CD20	430863	SY-1022, 2022 (Maint)	N/A
FE02VB	429685	SY-1022, 2022 (Oper)	N/A
FE05	429686	SY-1023, 1024	73003
FE09	429687	SY-1033, 1034	N/A
FE13	429688	SY-1071, 1072	430861
K01-2	434296	SY-1571, 1572	430862
PK05	429670	SY-2013, 2014	N/A
PK10	429674	SY-2023, 2024	N/A
PK10I	429680	SY-2033, 2034	N/A
PK20	430859	SY2071, 2072	430863
PK20I	429683		

EXTINGUISHER MANUALS

Part No.	Description
F-7602	Manual, Hydrostatic Test Instruction
F-7674	Manual, Cartridge Operated Inspection and Maintenance
430141	Manual, SENTRY Dry Chemical/ CLEANGUARD
429425	Manual, SENTRY Carbon Dioxide
429442	Manual, SENTRY Water
429656	Manual, K-GUARD
79012	Manual, Wheeled & Stationary Dry Chemical
432334	Manual, Wheeled, Carbon Dioxide
69830	Manual, CR-AR-33-D
53141	Manual, Wheeled Regulator and Hose Test

HYDROSTATIC TEST ADAPTORS

Part No.	Description
27991	RED LINE 5 Test Head Assembly
26288	RED LINE 10-20-30 Test Head Assembly
26278	Elbow Plug Assembly (10) C, D, E & G
26280	Elbow Plug Assembly (20) D, E & G
26282	Elbow Plug Assembly (30) D, E & G
10580	Vent Plug 150 & 350 B, C & D
26292	Small SY Valve Test Head Assembly
26290	Large SY Valve Test Head Assembly
429644	Universal Valve Test Head Assembly
419109	R-102 Internal Thread Test Head Assembly
26283	SY-0262 Water & R-102 External Thread Test Head Assembly
430074	K01 & W02 Test Head Assembly

**For ANSUL Hose Adaptors, Please See Page 17 of Hydrotest Instruction Manual, F-7602**

DRY CHEMICAL AGENTS



53080



25397

FORAY® DRY CHEMICAL AGENT

**FORAY DRY CHEMICAL** is a multipurpose extinguishing agent, meaning it is effective on Class A, B, and C fires. This monoammonium phosphate-based agent is available in 45 lb pails and 200 and 400 lb drums (20.4, 90.7, 181.4 kg).

Part No.	Description
53080	FORAY Dry Chemical, 45 lb (20.4 kg) Pail
415788	FORAY Dry Chemical (Tech Grade), 45 lb (20.4 kg) Pail
25397	FORAY Dry Chemical, 200 lb (90.7 kg) Drum
9385	FORAY Dry Chemical, 400 lb (181.4 kg) Drum



9385

PLUS-FIFTY® C DRY CHEMICAL AGENT

**PLUS-FIFTY® C** is a sodium bicarbonate-based extinguishing agent for use on Class B and C fires. Available in 50 lb pails and fibres, and 200 and 400 lb drums (22.7, 90.7, 181.4 kg).



9336



9338

Part No.	Description
9336	PLUS-FIFTY C Dry Chemical, 50 lb (22.7 kg) Pail
9338	PLUS-FIFTY C Dry Chemical, 50 lb (22.7 kg) Fibre
25396	PLUS-FIFTY C Dry Chemical, 200 lb (90.7 kg) Drum
9393	PLUS-FIFTY C Dry Chemical, 400 lb (181.4 kg) Drum



25396



9393

DRY CHEMICAL AGENTS



9335



25398

PURPLE-K DRY CHEMICAL AGENT

**Purple-K** is a potassium bicarbonate-based extinguishing agent for use on Class B and C fires. It is the most effective dry chemical for flammable and combustible liquid fires. Available in 50 lb pails, 200 and 400 lb drums (22.7, 90.7, 181.4 kg).

Part No.	Description
9335	Purple-K Dry Chemical, 50 lb (22.7 kg) Pail
25398	Purple-K Dry Chemical, 200 lb (90.7 kg) Fibre Drum
9369	Purple-K Dry Chemical, 400 lb (181.4 kg) Fibre Drum



9328



9329

MET-L-X® DRY POWDER AGENT

**MET-L-X®** is a sodium chloride-based agent for use on most Class D fires involving combustible metals including sodium, potassium, sodium-potassium, and magnesium. Available in 50 lb pails (22.7 kg).

Part No.	Description
9328	MET-L-X Dry Powder, 50 lb (22.7 kg) Pail

MET-L-KYL® DRY CHEMICAL AGENT

**MET-L-KYL®** is specifically designed to extinguish fires found in most metal alkyls such as triethylaluminum (pyrophoric liquids which ignite on contact with air). MET-L-KYL agent is available in 50 lb pails (22.7 kg).

Part No.	Description
9329	MET-L-KYL Dry Chemical, 50 lb (22.7 kg) Pail



9334

LITH-X® DRY POWDER AGENT

**LITH-X®** is a graphite-based agent blended for use on lithium fires. It is also effective on fires involving high melting-point metals such as zirconium, titanium, and sodium potassium. Available in 45 lb pails (20.4 kg).

Part No.	Description
9334	LITH-X Dry Powder, 45 lb (20.4 kg) Pail

SPILL-X® AGENTS



007843

SPILL-X-A® AGENT

SPILL-X-A® agent is an acid neutralizer specifically formulated to treat spills of mineral and organic acids.

Part No.	Description
76255	SPILL-X-A Agent, 50 lb (22.8 kg) Pail
76256	SPILL-X-A Agent 200 lb (90.7 kg) Drum

SPILL-X-C® AGENT

SPILL-X-C® agent is a product specifically formulated to treat caustic and organic bases.

Part No.	Description
76396	SPILL-X-C Agent, 42 lb (19.1 kg) Pail
76397	SPILL-X-C Agent 168 lb (76.2 kg) Drum

SPILL-X-S® AGENT

SPILL-X-S® agent is a product used to treat many common hydrocarbon solvents and fuel spills.

Part No.	Description
76258	SPILL-X-S Agent, 16 lb (7.3 kg) Pail
76369	SPILL-X-S Agent 68 lb (30.8 kg) Drum

LIQUID AGENTS



79694



79372

ANSULEX® LIQUID FIRE SUPPRESSANT

**ANSULEX®** agent is specifically designed for grease-related fires associated with kitchen cooking equipment. With a pH range of 7.8-8.2, ANSULEX agent is noncorrosive to equipment and non-hazardous to personnel. It is available in 1-1/2 and 3 gal containers (5.7, 11.4 L).

Part No.	Description
79694	ANSULEX Low pH Wet Chemical Agent, 1.5 gal (5.7 L) Container
79372	ANSULEX Low pH Wet Chemical Agent, 3 gal (11.6 L) Container



430182



423320

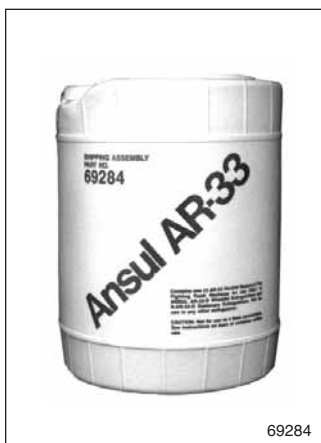
PRX™ LIQUID FIRE SUPPRESSANT

**PRX™** agent is effective on fires in restaurant ventilating equipment – hoods and ductwork, as well as in a variety of cooking appliances – deep-fat fryers, griddles, range tops, and all types of broilers and char-broilers.

Part No.	Description
430182	PRX Liquid Agent, 1.59 gal (6 L) Container
423320	PRX Liquid Agent, 5 gal (18.9 L) Container
426178	PRX Liquid Agent, 5 gal (18.9 L) Container, ULC



426178



69284

AR-33 FOAM AGENT

**ANSUL AR-33** is a polar solvent, alcohol-resistant AFFF. When mixed with fresh, potable water, it will form a highly effective fire extinguishing agent. The AR-33 agent is used primarily for Class B hydrocarbon fires and polar solvent fires including such fuels as alcohols, ketones, carboxylic acids, aldehydes, and esters. Its excellent wetting characteristics make it useful in combating Class A fires as well.

Part No.	Description
69284	AR-33 Agent, 5 gal (18.9 L) Container

RESTAURANT SYSTEMS



101-10



101-20



101-30



LT-20-R



LT-30-R



R-102 DOUBLE TANK



LT-A-101-30

GAS CARTRIDGES

Part No.	Description
15850	Carbon Dioxide, 101-10, (DOT) 25/ctn
423439	Carbon Dioxide, 101-10, (TC) 25/ctn
423441	Carbon Dioxide, 101-20, (DOT/TC), 16/ctn
17492	Carbon Dioxide, 101-20, (DOT/Recharge), 16/ctn
423443	Carbon Dioxide, 101-30, (DOT/TC), 16/ctn
15851	Carbon Dioxide, 101-30, (DOT/Recharged), 16/ctn
423429	Nitrogen, LT-20-R, (RHT), (DOT/TC), 16/ctn
7032	Nitrogen, LT-20-R, (RHT), (DOT Recharged), 16/ctn
423435	Nitrogen, LT-30-R, (RHT), (DOT/TC), 16/ctn
5373	Nitrogen, LT-30-R, (RHT), (DOT Recharged), 16/ctn
423493	Nitrogen, R-102 Double Tank, (DOT/TC)
73022	Nitrogen, R-102 Double Tank, (DOT Recharged)
423491	Nitrogen, LT-A-101-30, (DOT/TC)
29187	Nitrogen, LT-A-101-30, (DOT Recharged)

RESTAURANT SYSTEMS



R-102™ NOZZLES

Part No.	Description
419335	1N, Single with Cap
419346	1N, 25/package with Cap
419336	1W, Single with Cap
419347	1W, 25/package with Cap
419334	1/2N, Single with Cap
419345	1/2N, 9/package with Cap
419337	2W, Single with Cap
419348	2W, 25/package with Cap
78078	2WH, Single with Cap
73830	2WH, 25/package with Cap
419338	3N, Single with Cap
419349	3N, 9/package with Cap
419339	230, Single with Cap
419350	230, 25/package with Cap
419340	245, Single with Cap
419351	245, 25/package with Cap



RESTAURANT SYSTEMS



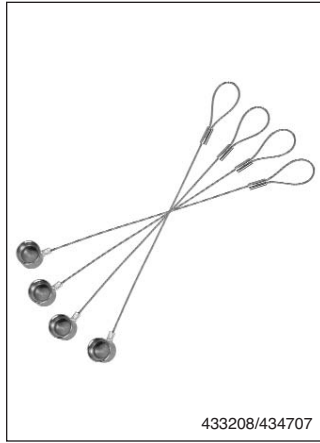
R-102™ NOZZLES

Part No.	Description
419341	260, Single with Cap
419352	260, 9/package with Cap
419342	290, Single with Cap
419353	290, 9/package with Cap
419343	2120, Single with Cap
419354	2120, 9/package with Cap
419333	1F, Single with Cap
419344	1F, 9/package with Cap

PIRANHA® NOZZLES

Part No.	Description
423480	AP, Appliance/Plenum, Single
423482	AP, Appliance/Plenum, 50/package
426093	DL, Duct/Low Proximity, Single
426092	DL, Duct/Low Proximity, 25/package
434951	DL Nozzle, SS, Single with Cap
434950	AP Nozzle, SS, Single with Cap

RESTAURANT SYSTEMS



NOZZLE BLOW-OFF CAPS, ADAPTORS AND AIMING DEVICES

Part No.	Description
77695	Rubber Blow-Off Caps, 50 Pack
418569	Swivel Adaptor, Single
423572	Swivel Adaptor, 25/package
431992	Nozzle Aiming Device, Restaurant Assembly
551265	Nozzle Aiming Device Only
431186	Nozzle Aiming Device Adaptor Only
551269	Replacement Battery for 551265
433208	CB Metal Blow-Off Cap, 10 Pack
434707	Stainless Steel CB Metal Blow-Off Cap, 10 Pack



RESTAURANT SYSTEMS



PULLEY ELBOWS AND TEE

Part No.	Description
423250	Pulley Elbow, Compression Type, Single
423251	Pulley Elbow, Compression Type, 50/package
415670	Pulley Elbow, Set Screw Type, Single
415671	Pulley Elbow, Set Screw Type, 50/package
427929	Pulley Tee
436063	Conduit Offset Assembly, 6 Pack

MECHANICAL SEALING ADAPTORS

Part No.	Description
78196	Adaptor, 1/4 in Quick Seal, 24/package
77285	Adaptor, 3/8 in Quick Seal, 24/package
77287	Adaptor, 1/2 in Quick Seal, 24/package
77289	Adaptor, 3/4 in Quick Seal, 24/package
79149	Adaptor, 1/4 in Pipe Compression-Seal, 24/package
79151	Adaptor, 3/8 in Pipe Compression-Seal, 24/package
79147	Adaptor, 1/2 in Pipe Compression-Seal, 24/package
79153	Adaptor, 1/2 in EMT Compression-Seal, 24/package
423253	Hood Seal Adaptor Assembly, 6/package

RESTAURANT SYSTEMS



DETECTORS

Part No.	Description
55813	EMT Conduit Adaptor 1/2 Compression Fitting (Not Shown)
435547	Scissors Linkage, Series (SS)
435548	Scissors Linkage, Series (Pack of 25)
435546	Scissors Linkage, Terminal (SS)
435545	Scissors Linkage Only

RESTAURANT SYSTEMS



415739



415740



415741/415744



415742/415745



415743/415746



551522



551523



551524



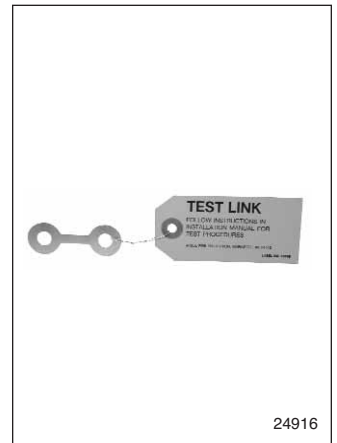
551525



551526



56816/73867



24916

FUSIBLE LINKS

Part No.	Description
415739	165 Degree, Single (K-Style)
415740	212 Degree, Single (K-Style)
415741	280 Degree, Single (K-Style)
415744	280 Degree, 25 Pack (K-Style)
415742	360 Degree, Single (K-Style)
415745	360 Degree, 25 Pack (K-Style)
415743	450 Degree, Single (K-Style)
415746	450 Degree, 25 Pack (K-Style)
551522	165 Degree, 10 Pack (ML Style)
551523	212 Degree, 10 Pack (ML Style)
551524	280 Degree, 10 Pack (ML Style)
551525	360 Degree, 10 Pack (ML Style)
551526	450 Degree, 10 Pack (ML Style)
56816	500 Degree, Single (ML Style)
73867	500 Degree, 25 Pack (ML Style)
24916	Test Link Package, 10/package

RESTAURANT SYSTEMS



GAS SHUT-OFF EQUIPMENT

Part No.	Description
55598	Gas Valve, Mechanical, 3/4 in ANSUL
55601	Gas Valve, Mechanical, 1 in ANSUL
55604	Gas Valve, Mechanical, 1 1/4 in ANSUL
55607	Gas Valve, Mechanical, 1 1/2 in ANSUL
55610	Gas Valve, Mechanical, 2 in ANSUL
25937	Gas Valve, Mechanical, 2 1/2 in ASCO
25938	Gas Valve, Mechanical, 3 in ASCO
15733	Air Cylinder and Tubing (for mechanical gas valves)
433286	Gas Valve Cover Replacement (Cover, Label, and 2 Screws)

RESTAURANT SYSTEMS

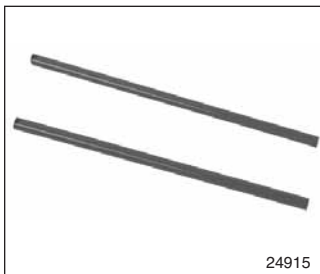
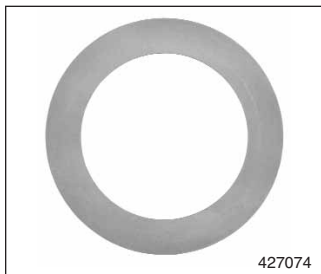


GAS SHUT-OFF EQUIPMENT

Part No.	Description
13707	Gas Valve, Electrical (110V, 60 Hz) 3/4 in
13708	Gas Valve, Electrical (110V, 60 Hz) 1 in
13709	Gas Valve, Electrical (110V, 60 Hz) 1 1/2 in
13710	Gas Valve, Electrical (110V, 60 Hz) 2 in
17643	Gas Valve, Electrical (110V, 60 Hz) 3 in
426151	Relay, Manual Reset (120V, 60 Hz)
426890	Gas Valve Conversion Kit
550360	Gas Valve, Electrical (110V, 60 Hz) 1 1/4 in
550363	Gas Valve, Electrical (110V, 60 Hz) 2 1/2 in



RESTAURANT SYSTEMS



REMOTE PULL STATION/ACCESSORIES

Part No.	Description
427074	Trim Ring, Aluminum (Pack of 10)
24915	Break Rod, 10/package (for use with 54011)
415317	Break Away Seal (Pack of 25)
434618	Pull Station without Rope
435960	Pull Station with Rope
435725	Bearing and Bolts (Pack of 10)
435726	Pull Tabs (Pack of 10)



WIRE ROPE

Part No.	Description
15821	Wire Rope, 50 ft (15 m)
79653	Wire Rope, 500 ft (152 m)



FLEXIBLE CONDUIT

Part No.	Description
434525	Flexible Conduit, 500 ft (152.4 m)
435979	Strain Relief (Pack of 50)
434347	Flexible Conduit Insert (Pack of 50)
79827	1/2 in. Compression Union
436150	P-Clip (Pack of 50)

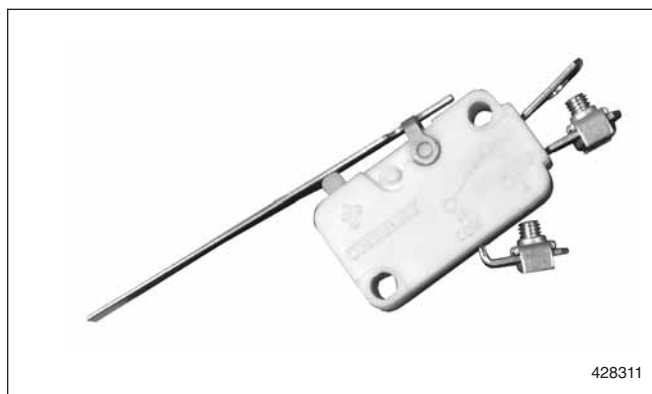


RESTAURANT SYSTEMS

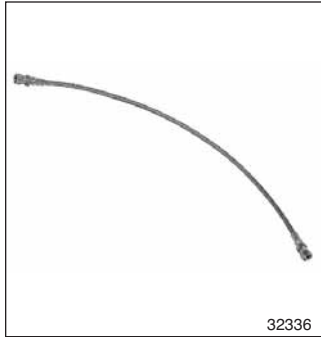
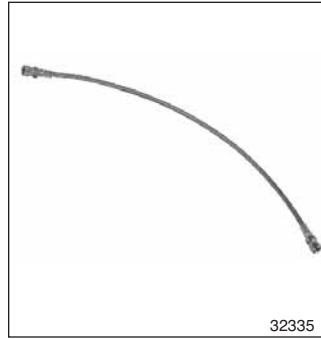


ELECTRICAL SWITCHES

Part No.	Description
423878	Switch, Electric, SPDT, 1 Switch
423879	Switch, Electric, DPDT, 1 Switch
423880	Switch, Electric, 3PDT, 1 Switch
423881	Switch, Electric, 4PDT, 1 Switch
428311	Alarm Initiating Switch, SPDT



RESTAURANT SYSTEMS

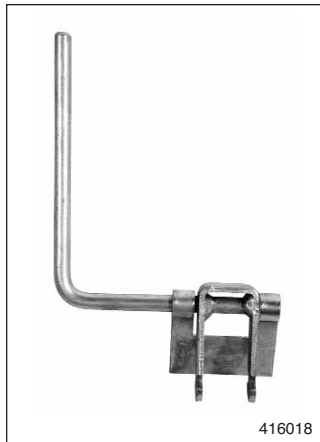
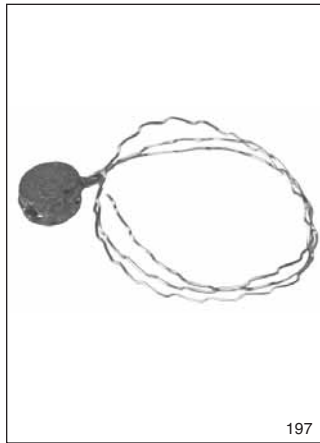


SPARE PARTS & ACCESSORIES

Part No.	Description
31809	Actuation Hose, Stainless Braided, 16 in
32335	Actuation Hose, Stainless Braided, 20 in
32336	Actuation Hose, Stainless Braided, 24 in
430815	Actuation Hose, Stainless Braided, 42 in
32338	Adapter, Male Straight, 7/16-20 Flare x 1/4 in NPT
31811	Branch Tee, Male, 7/16-20 Flare x 1/4 in NPT
31810	Elbow, Male, 7/16-20 Flare x 1/4 in NPT
56972	Regulator Test Kit
79318	Regulator, R-102, Pressure Tested (110 psi)
68800	Vent Plug
416970	Bursting Disc Union Assembly (R-102)
417911	Bursting Disc (R-102), 10/package
78112	Silicone Sealant, 5.3 oz Tube
79656	Flushing Concentrate, 12 Bottles/package



RESTAURANT SYSTEMS

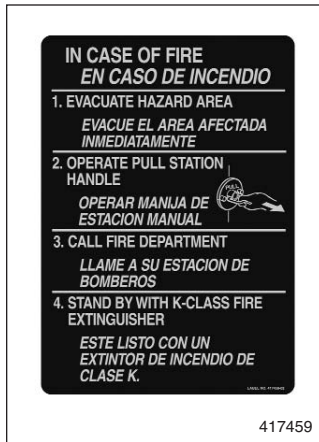
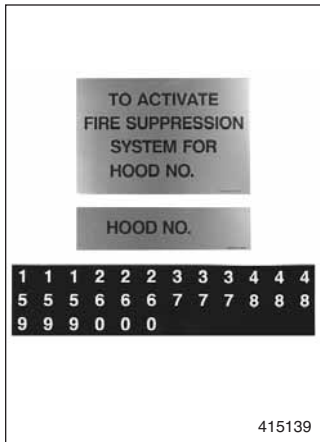


SPARE PARTS & ACCESSORIES

Part No.	Description
418511	Hose/Grommet Package
197	Seal, Lead Wire
14985	Lock Bar
14995	Cocking Lever
15618	Cocking Lever with Lock Bar
416018	Cocking Lever, Mechanical Gas Valve
15240	Thermometer, 50 °C (260 °F)
550122	Oval Sleeves, 100/package
24919	Stop Sleeves, 10/package
24920	Split Bolt Connectors, 10/package
434528	Multitone Strobe, 115V
435603	Cocking Lever, Short
435790	Cocking Lever with Cock Bar
435982	Discharge Hose and Tether Kit
436228	3/8 in. x 1/2 in. Reducing Coupling



RESTAURANT SYSTEMS



SPARE PARTS & ACCESSORIES

Part No.	Description
3923	Cartridge Scale and Hook
75382	Cartridge Scale and Hook for LT-A-101-30
415139	Multiple Hood Label Package
417459	Fire Emergency Nameplate (English/Spanish)
418538	New York City MEA Label (R-102)
78942	Cable Lug Replacement for ANSUL AUTOMAN Release

## RESTAURANT SYSTEMS

## MANUALS/FORMS

<b>Part No.</b>	<b>Description</b>
426022	Manual, K-GUARD, Model LA-0191
79973	Manual, R-102 (Pre UL-300)
418127	Owner's Guide, R-102
24789	Certification Form, R-102
24790	Installation Design Sheet, R-102
78410	McDonald's System Checklist
78411	McDonald's Instruction Sheet



One Stanton Street  
Marinette, WI 54143-2542  
USA

800-862-6785 (United States, Canada)  
715-735-7411 (International)  
[www.ansul.com](http://www.ansul.com)

