

VON DUPRIN.

Guard-X 2670 Exit Alarm Lock

Service manual



INDEX

General Information

Introduction	2
How to Order	2
Part Number Changes	2

Guard-X 2670 Exit Alarm Lock Parts

Lockside Cover Kit	3
Hingeside Cover Kit	3
Endcap Kit	3
Alarm Sign	3
Lightpipe Kit	3
PCB Kit	4
Cylinder Retaining Bracket Kit	4
Device Mounting Package	4
Cover Screw Kit	4

INTRODUCTION

This manual contains a listing of replaceable parts and assemblies for the Guard-X 2670 Exit Alarm Lock.

HOW TO ORDER

Some parts are sold separately. Other items are available as part of a kit or multiple quantity package. For the best possible service when ordering replacement parts or assemblies, please provide the following information:

- Part number or assembly number
- Description
- Quantity needed
- Finish desired (if available finished)
- Date of original purchase (if known)

To find out the name of your local Von Duprin distributor or sales representative, contact:

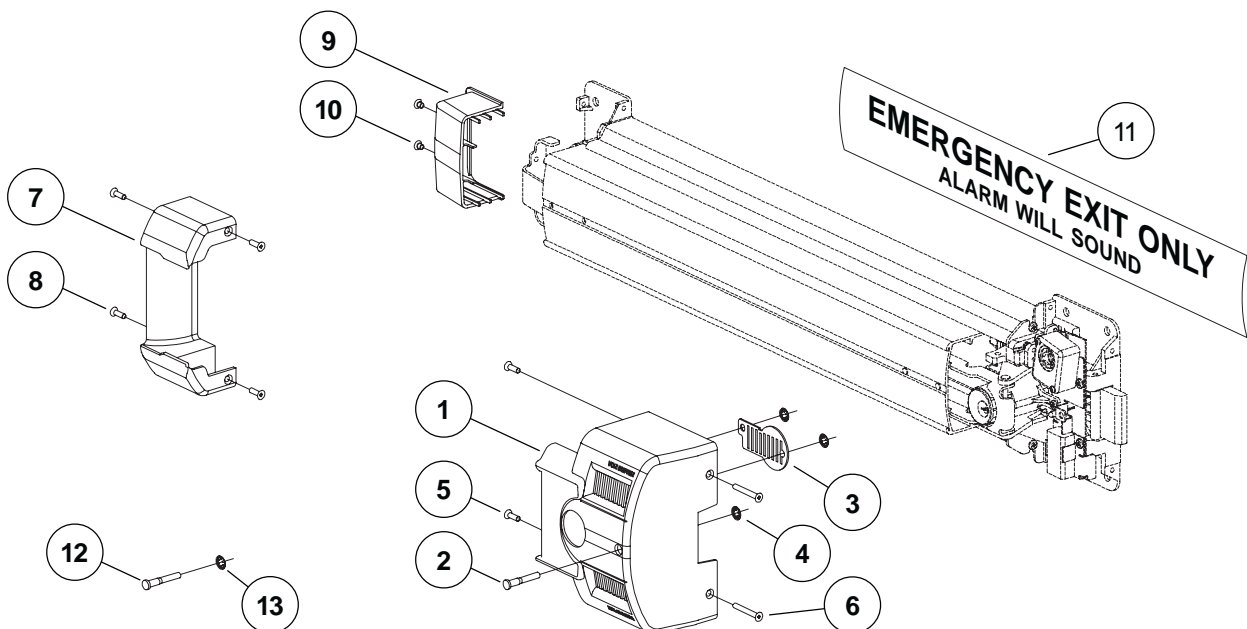
Von Duprin Division
Allegion
2720 Tobey Drive
Indianapolis, IN 46219
Phone: (877) 671-7011

PART NUMBER AND AVAILABILITY CHANGES

This manual was designed to help illustrate the replacement parts and kits that are available for sale. Because of changes to the product and/or manufacturing process, part numbers and availability can change over time.

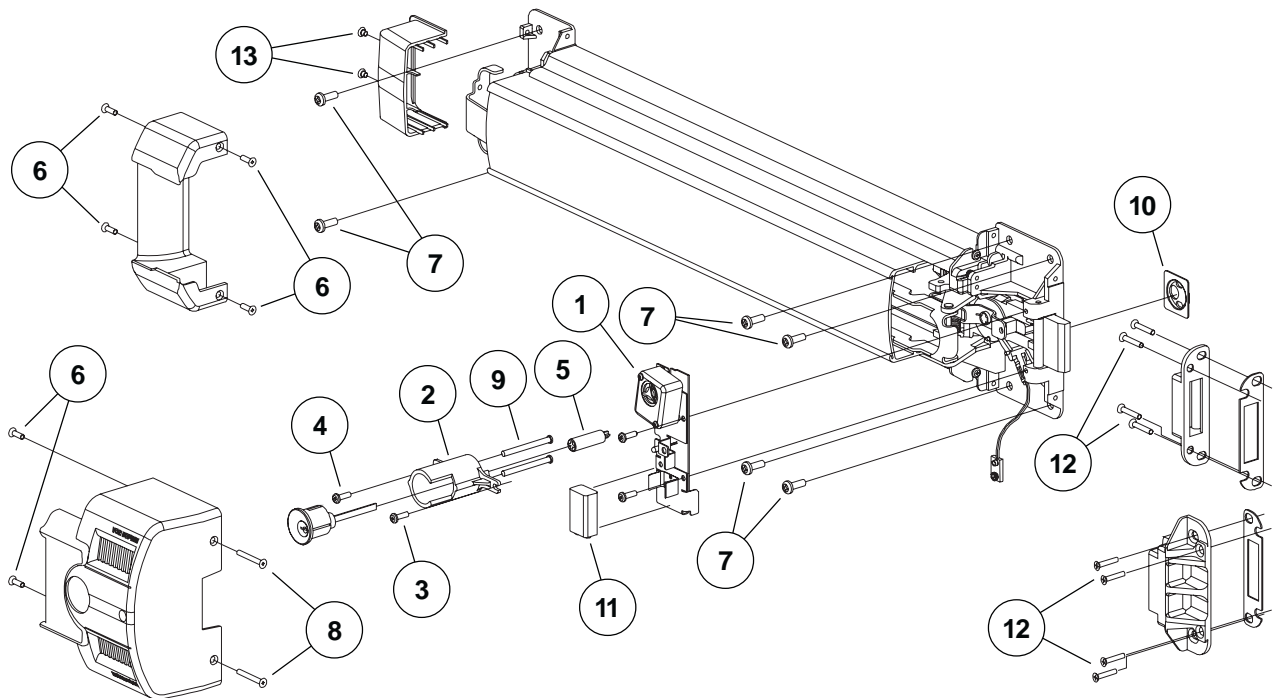
2670 EXIT ALARM PARTS

Part No.	Includes Items	Description	Quantity
COVER.109		2670 Lockside Cover Kit SP28	
	1	Lockside Cover	1
	2	Lightpipe	1
	3	Baffle Stamp	1
	4	Retaining Ring	3
	5	10-16 x 5/8" FPHMS	2
6	10-16 x 1-1/2" FPHMS	2	
COVER.121	same as COVER.109	2670 Lockside Cover Kit SP313	
COVER.122	same as COVER.109	2670 Lockside Cover Kit US19	
COVER.114		2670 Hingeside Cover - Silver	
	7	Hingeside Cover	1
	8	10-16 x 5/8" FPHMS	2
COVER.115	same as COVER.114	2670 Hingeside Cover - Black	
COVER.116	same as COVER.109	2670 Hingeside Cover - Brown	
ECAP.105		2670 Endcap Kit	
	9	Endcap	1
	10	10-24 x 1/4" UFPHMS	2
SIGN.1001	11	Alarm Sign - English	1
SIGN.1002	11	Alarm Sign - Spanish	1
SIGN.1003	11	Alarm Sign - French	1
PIPE.101		Lightpipe Kit	
	12	Lightpipe	1
	13	Retaining Ring	1



2670 EXIT ALARM PARTS

Part No.	Includes Items	Description	Quantity
PCB.10018	1	2670 PCB Kit Field - English	1
PCB.10019	1	2670 PCB Kit Field - Spanish	1
PCB.10020	1	2670 PCB Kit Field - French	1
BRKT.121		Cylinder Retaining Bracket Kit	
	2	Cylinder Retaining Bracket	1
	3	10-24 x 5/8" PPHMS	1
	4	10-16 x 5/8" PPHMS	1
050379	5	2670 Cylinder Tailpiece Extension	1
PKGMTG.1002		2670 Device Mounting Package US28	
	5	Tailpiece Extension	1
	6	10-16 x 5/8" FPHSMS	6
	7	1/4-20 x 3/4" PPHMS	6
	7	1/4-14 x 1" PPHMS	6
	8	10-16 x 1-1/2" FPHMS	2
	9	12-24 x 9/32" FSH Cylinder Screw	2
	10	Cylinder Anchor Plate	1
	11	9 Volt Battery	1
PKGMTG.1003	same as PKGMTG.1002	2670 Device Mounting Package Black	
PKGSCR.1001		2670 Cover Screw Kit SP28	
	5	Tailpiece Extension	1
	6	10-16 x 5/8" FPHSMS	6
	7	1/4-20 x 3/4" PPHMS	6
	7	1/4-14 x 1" PPHMS	6
	8	10-16 x 1-1/2" FPHMS	2
	9	12-24 x 9/32" FSH Cylinder Screw	2
	12	1/4-20 x 1" FPHMS	4
	12	1/4-14 x 1-1/4" FPHMS	4
	13	10-24 x 1/4" UFPHMS	2



About Allegion

Allegion (NYSE: ALLE) creates peace of mind by pioneering safety and security. As a \$2 billion provider of security solutions for homes and businesses, Allegion employs more than 7,800 people and sells products in more than 120 countries across the world. Allegion comprises 23 global brands, including strategic brands CISA®, Interflex®, LCN®, Schlage® and Von Duprin®.

For more, visit www.allegion.com.

aptiQ ■ LCN ■ **SCHLAGE** ■ STEELCRAFT ■ VON DUPRIN