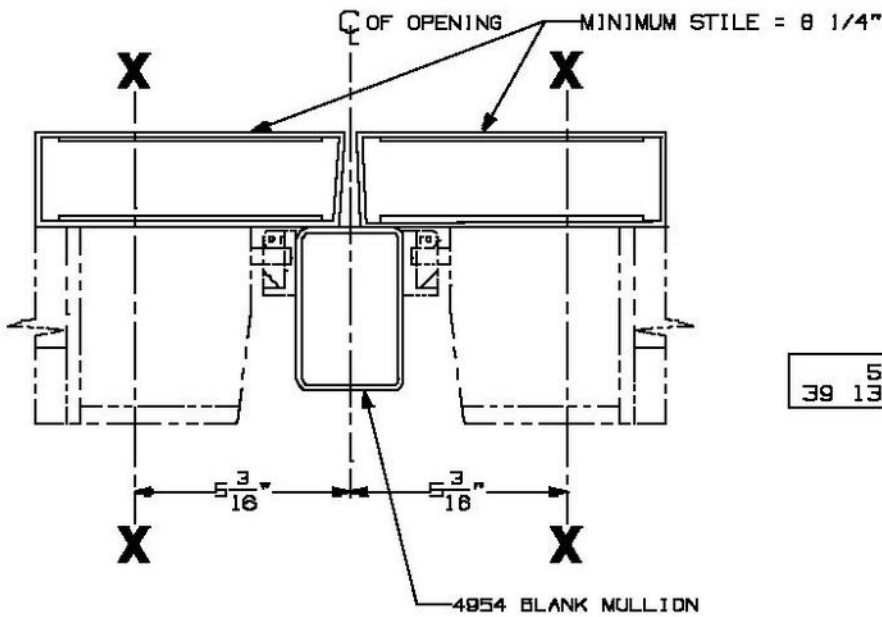
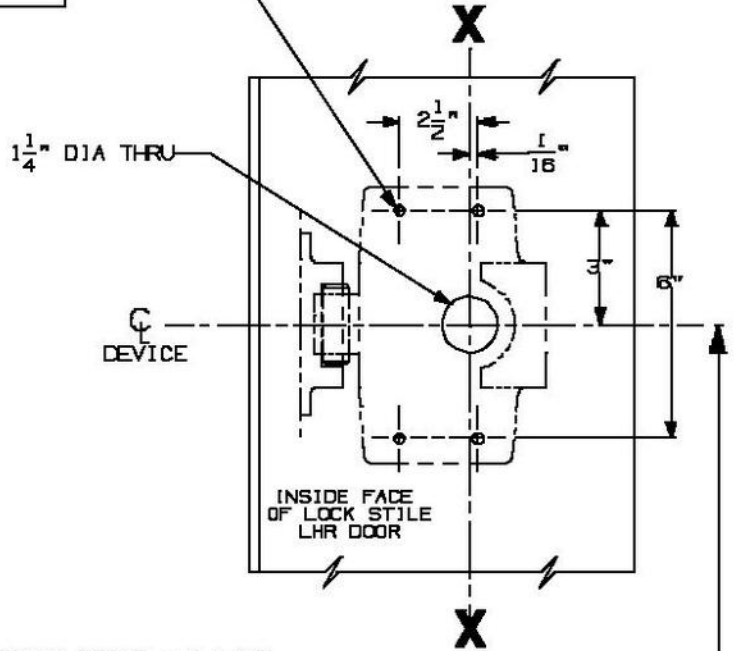
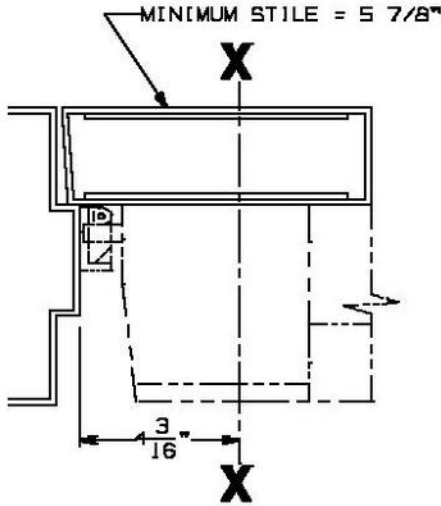


APPLICATION	PREPARATION
SURFACE APPLICATION	1/4"-20 TAP 4 PLACES
SEXBOLT APPLICATION	1/4" DIA THIS SIDE-13/32" DIA OPPOSITE SIDE 4 PLACES



LHR SHOWN  
RHR OPPOSITE

SINGLE DOOR OPENING  
39 13/16" TO FINISHED FLOOR

IT IS RECOMMENDED THE  
MOUNTING HOLES BE  
PREPARED IN THE FIELD

## 2670NL Exit Alarm Lock

# VON DUPRIN.

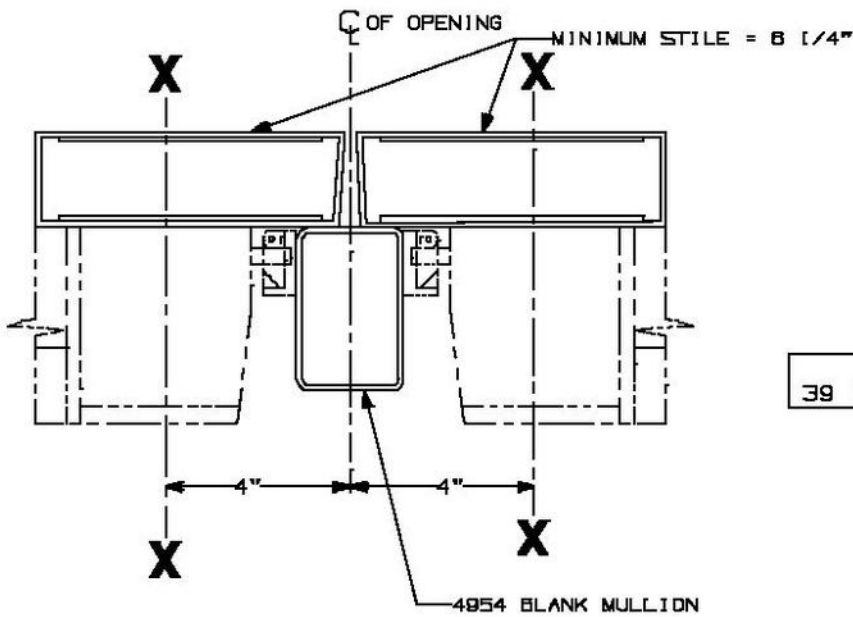
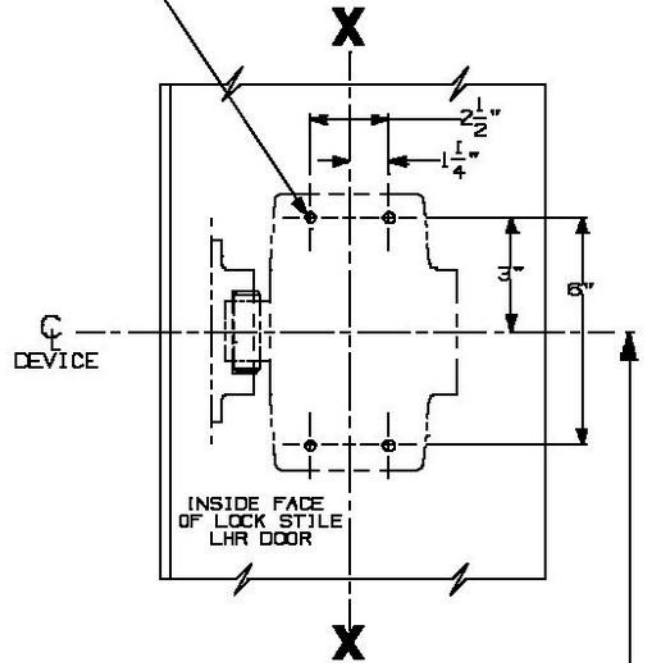
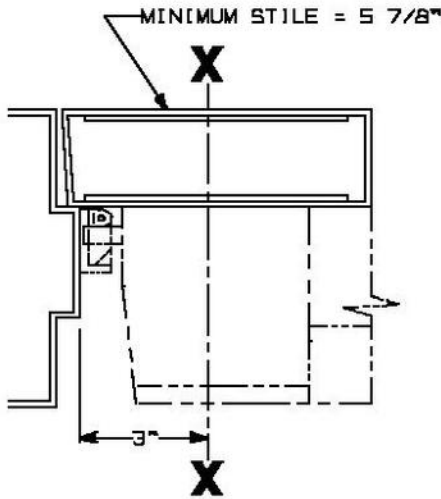
NOTES: See Master Sheet #10001 For Suggested Reinforcing

TEMPLATE  
NUMBER:

10513\_a

DATE:  
05-22-13

APPLICATION	PREPARATION
SURFACE APPLICATION	1/4"-20 TAP 4 PLACES
SEXBOLT APPLICATION	1/4" DIA THIS SIDE-13/32" DIA OPPOSITE SIDE 4 PLACES



LHR SHOWN  
RHR OPPOSITE

SINGLE DOOR OPENING  
39 13/16" TO FINISHED FLOOR

IT IS RECOMMENDED THE  
MOUNTING HOLES BE  
PREPARED IN THE FIELD

2670EO/DT Exit Alarm Lock

**VON DUPRIN.**

NOTES: See Master Sheet #10001 For Suggested Reinforcing

TEMPLATE  
NUMBER:

10514\_a

DATE:  
05-22-13