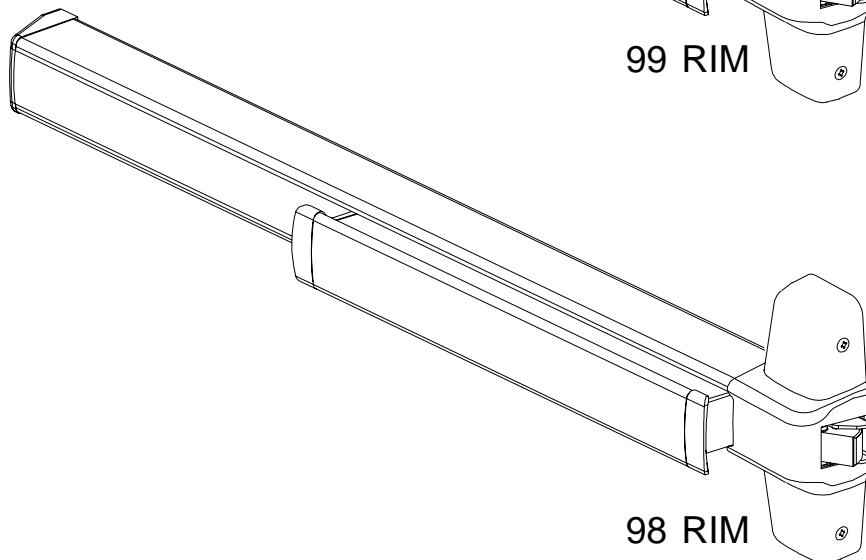
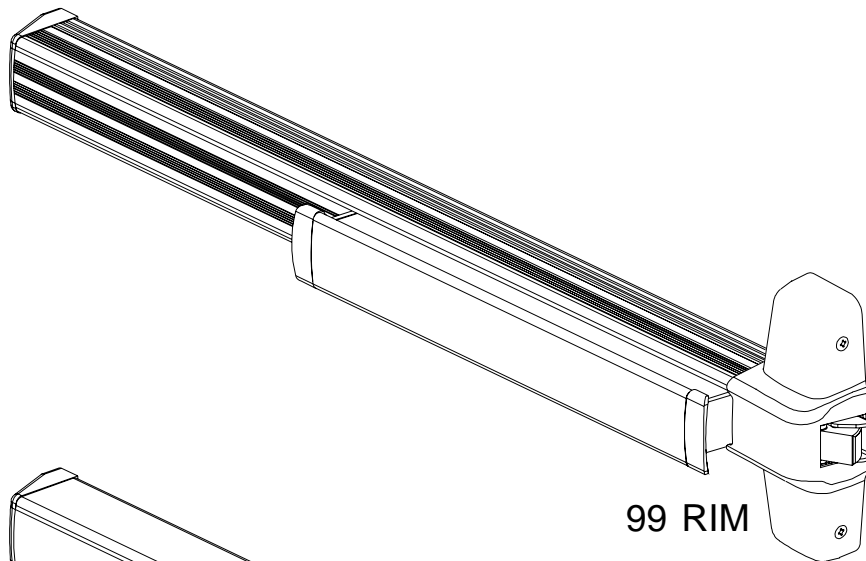


# VON DUPRIN®

## PARTS MANUAL

JUNE 2005

### 98/99 SERIES RIM EXIT DEVICES



PM9899\_C  
VD-GN-1029

**IR** Security & Safety  
Proven Source. Proven Solutions.™

Copyright © 2005 Ingersoll-Rand. All rights reserved.

# INDEX

|   |       |
|---|-------|
| 98/99 Rim Devices                                   |       |
| Basic Panic Device .....                            | 4-5   |
| Basic Fire Device .....                             | 6-7   |
| Baseplate Assemblies .....                          | 8     |
| Center Case Assembly .....                          | 9     |
| <br>  |       |
| Variations of the Basic Device                      |       |
| CD (Cylinder Dogging) .....                         | 4-5   |
| 98/99-2 Double Cylinder .....                       | 10    |
| E98/99 Electric Locking .....                       | 11    |
| HD-EL (Hex Dogging/Electric Latch Retraction) ..... | 12    |
| EL (Electric Latch Retraction) .....                | 13    |
| SS (Signal Switch) .....                            | 13    |
| RX (Request to Exit) .....                          | 14-15 |
| LX (Latch Bolt Monitoring) .....                    | 14-15 |
| CX Chexit .....                                     | 16    |
| CX-CD/SD .....                                      | 17    |
| ALK Exit Alarm Kit .....                            | 18    |
| <br>  |       |
| Service Replacement Items .....                     | 19-20 |
| <br>  |       |
| General Information                                 |       |
| Introduction .....                                  | 2     |
| How to Order .....                                  | 2     |
| Part Number Changes .....                           | 2     |
| Finishes .....                                      | 3     |
| Outside Trim Functions .....                        | 3     |
| Strikes .....                                       | 3     |

## INTRODUCTION

This manual contains a listing of replaceable parts and assemblies for the 98/99 Rim Exit Hardware Devices. 98 Series and 99 Series devices are almost identical. The 99 Series has a grooved case; the 98 Series has a smooth case.

## HOW TO ORDER

Some parts are sold separately. Other items are available as part of a kit or multiple quantity package. For the best possible service when ordering replacement parts or assemblies, please provide the following information:

- Part number or assembly number
- Description
- Quantity needed
- Finish desired (if available finished)
- Date of original purchase (if known)

To find out the name of your local Von Duprin distributor or sales representative, contact:

Von Duprin Division  
Ingersoll-Rand Company  
2720 Tobey Drive  
Indianapolis, Indiana 46219  
Phone: (800) 999-0408  
Fax: (800) 999-0328  
Website: [www.vonduprin.com](http://www.vonduprin.com)

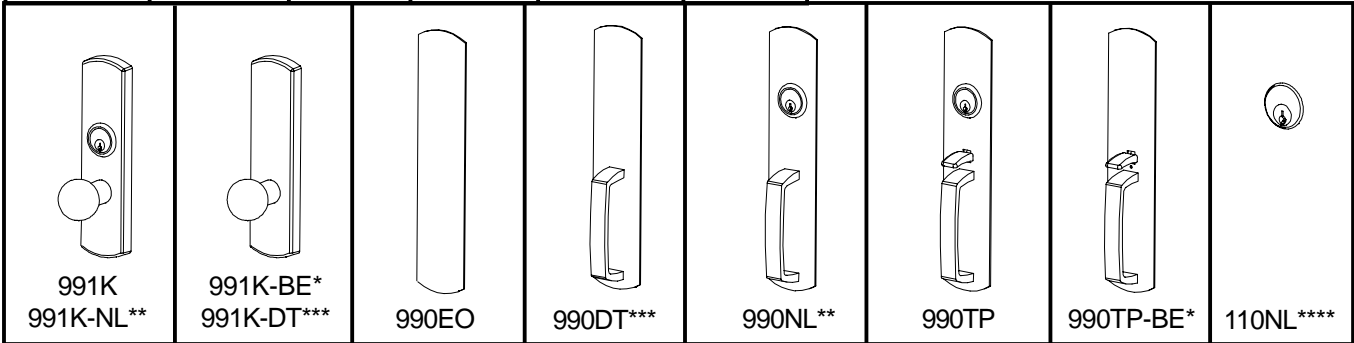
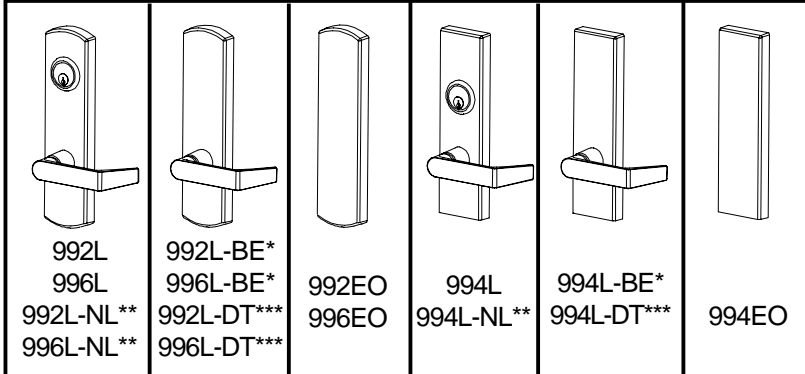
## PART NUMBER CHANGES

This manual reflects the product as sold in June 2005. Because of changes to the product and/or manufacturing process, part numbers can change.

# 98/99 SERIES FINISHES

## OUTSIDE TRIM FUNCTIONS

| U.S. Std Reference | BHMA Reference | Description                         |
|--------------------|----------------|-------------------------------------|
| US3                | 605            | Polished Brass                      |
| US4                | 606            | Dull Brass                          |
| US10               | 612            | Dull Bronze                         |
| US15               | 619            | Satin Nickel                        |
| US26               | 625            | Polished Chrome                     |
| US26D              | 626            | Dull Chrome                         |
| US28               | 628            | Anodized Alum. (Clear)              |
| US32D              | 630            | Satin Stainless Steel               |
| 313AN              | 710            | Anodized Alum. (313)<br>Dark Bronze |
| 315AN              | 711            | Anodized Alum. (Black)              |



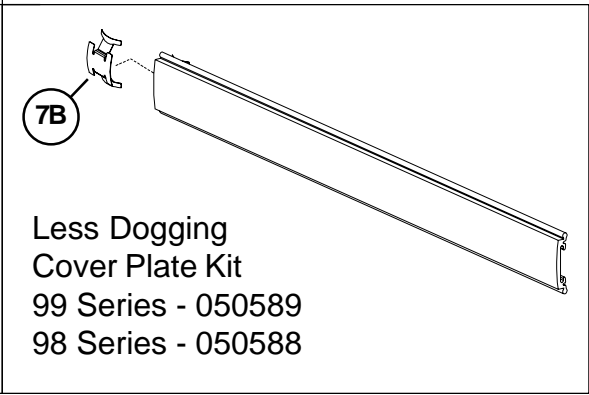
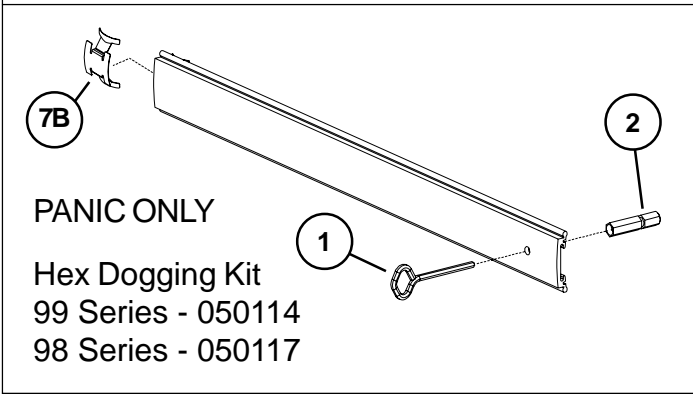
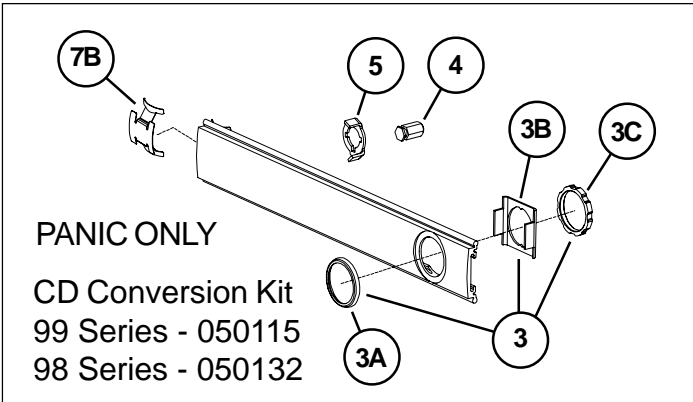
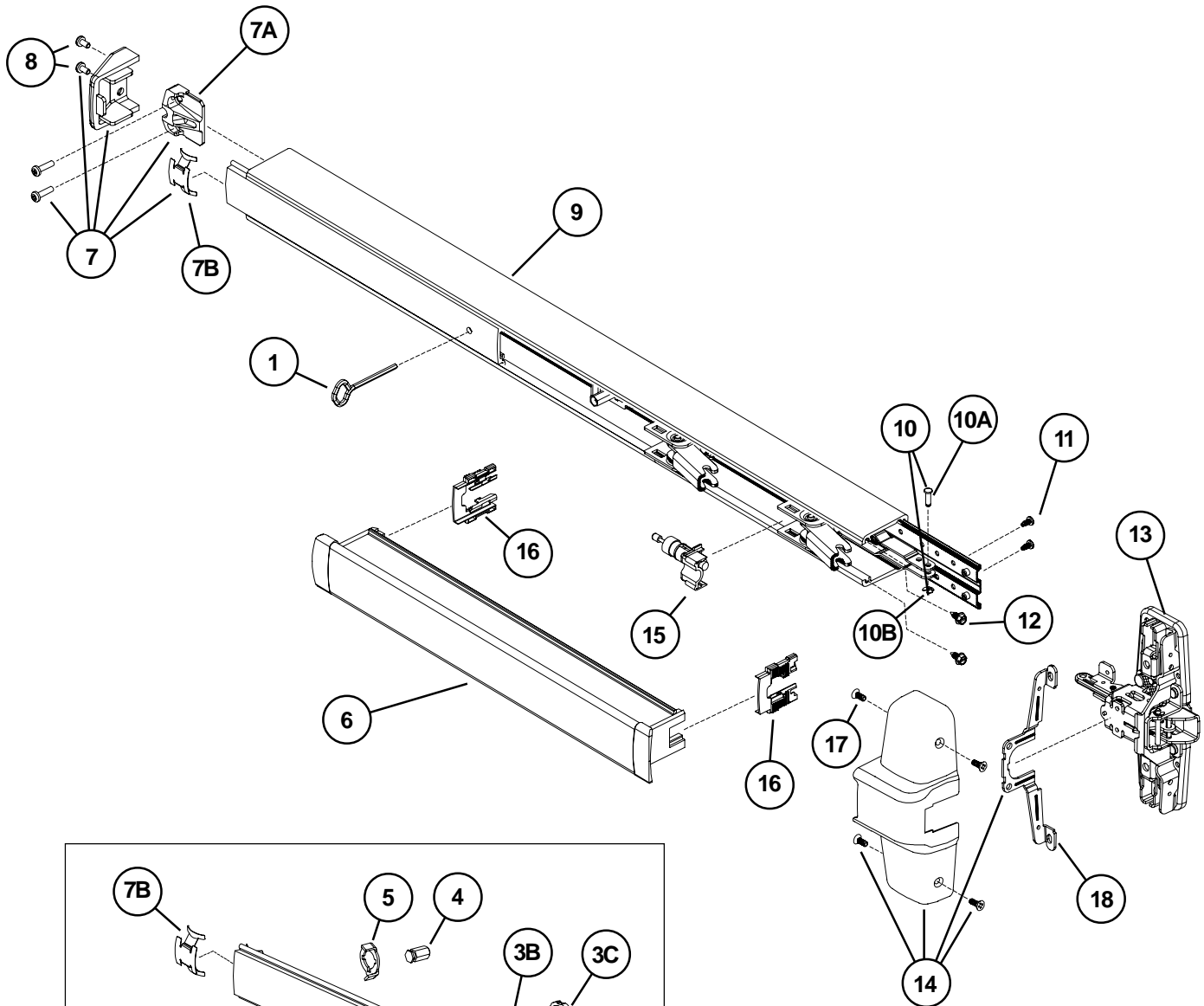
- \* "BE" (Blank Escutcheon) no cylinder used - lever always active
- \*\* "NL" (Night Latch) rigid lever - key retracts latch bolt
- \*\*\* "DT" (Dummy Trim) rigid lever for pull operation
- \*\*\*\* Optional Pull needs to be added

- ① Metal Door Screw Package PKGSRV.1023 (Pkg of 10)
- ① Wood Door Screw 964291 (Qty of 1)

## STRIKES

|   |  |   |   |  |
|---|--|---|---|--|
| <p>Adjusting Shim 970321</p> <p>Strike Plate 970323</p> <p><b>299 Strike - Standard Single or Double Door Panic Exit Hardware</b></p>           | <p>Adjusting Shim 945521</p> <p><b>299F Strike - Single Door Fire Exit Hardware</b></p>                                    | <p>Adjusting Shim 945521</p> <p><b>264 Strike - Single Door Panic Exit Hardware</b></p>   | <p>Adjusting Shim 945521</p> <p>Strike Hook 969300</p> <p><b>499F Strike - Double Door w/Mullion Fire Exit Hardware</b></p> | <p><b>1609 Strike - Double Door Rim/Vertical Rod Combination (Consult Factory)</b></p> |
| <p>Wear plate 960012</p> <p>Rivets 963074</p> <p>Screw Pkg 900254</p> <p><b>1410 Strike - Single Door Integral Stop Panic Exit Hardware</b></p> | <p>Adjusting Shim 961084</p> <p>Screw Pkg 900263</p> <p><b>1606 Strike - Single or Double Door Panic Exit Hardware</b></p> | <p>Adjusting block 971995</p> <p>Wear plate 971998</p> <p>Drive nuts 4299101022</p> <p><b>1439 Strike - Single door Panic Exit Hardware</b></p> | <p>Screw Pkg 900253</p> <p><b>1408 Strike - Double Door Used on 5754 Mullions Panic Exit Hardware</b></p>                   |  |

# 98/99 RIM PANIC DEVICE



## 98/99 RIM PANIC DEVICE

| Item No. | Quantity | Part No. | Description                                  | Finish |
|----------|----------|----------|--|--------|
|          | 1        | 900561   | 98/99 Series Mounting Pkg. (1-3/4 & 2-1/4)   |        |
| 1        | 1        | 090085   | 227 Dog Key 5/32" Hex (Pkg of 10)            |        |
| 1        | 1        | 090005   | 227 Dog Key 5/32" Hex (Pkg of 2)             |        |
| 2        | 1        | 090040   | Hex Dog Shaft (Pkg of 2)                     |        |
| 3        | 1        | 107813   | Cylinder Mounting Pkg                        | X      |
| 3A       | 1        | 050525   | Cylinder Collar                              | X      |
| 3B       | 1        | 050490   | Cylinder Locating Washer - CD/SS             |        |
| 3C       | 1        | 050526   | Cylinder Locknut                             |        |
| 4        | 1        | 090046   | CD Dogging Plug (Pkg of 2)                   |        |
| 5        | 1        | 090045   | CD Actuator Arm (Pkg of 2)                   |        |
| 6        | 1        | *PBKIT   | 98/99 Series Push Bar Retrofit Kit - 3' Door | X      |
| 6        | 1        | *PBKIT   | 98/99 Series Push Bar Retrofit Kit - 4' Door | X      |
| 7        | 1        | 050014   | 98/99 Series End Cap Kit                     | X      |
| 7A       | 1        | 050524   | Impact Resistant End Cap Bracket             |        |
| 7B       | 1        | 090036   | Cover Plate Anti-rattle Spring (Pkg of 10)   |        |
| 8        | 1        | 900597   | Device End Cap and C/Case Screw Pkg.         | X      |
| 9        | 1        | 968144   | 99 Series Mechanism Case - 3' Door           | X      |
| 9        | 1        | 968146   | 99 Series Mechanism Case - 4' Door           | X      |
| 9        | 1        | 970191   | 98 Series Mechanism Case - 3' Door           | X      |
| 9        | 1        | 970192   | 98 Series Mechanism Case - 4' Door           | X      |
| 10       | 1        | 050529   | 98/99 Series Control Link Pin & Ret. Ring    |        |
| 10A      | 1        | 090031   | 98/99 Series Control Link Pin (Pkg of 10)    |        |
| 10B      | 1        | 090107   | Retaining Ring (Pkg of 10)                   |        |
| 11       | 2        | 090037   | #8-32 x 3/8" Baseplate Screw (Pkg of 10)     |        |
| 12       | 2        | 090073   | Mechanism Case Bracket Screw (Pkg of 10)     |        |
| 13***    | 1        | 050020   | 98/99 Rim Center Case Less Cover             |        |
| 14**     | 1        | 050071   | 98/99 Rim Center Case Cover Kit              | X      |
| 15       | 1        | 050491   | Shock Absorber & Holder Assembly             |        |
| 16       | 2        | 090049   | Push Bar Guide (Pkg of 10)                   |        |
| 17       | 4        | 900892   | Center Case Cover Screws (Pkg of 4)          | X      |
| 18       | 1        | 050564   | Center Case Cover Bracket                    |        |

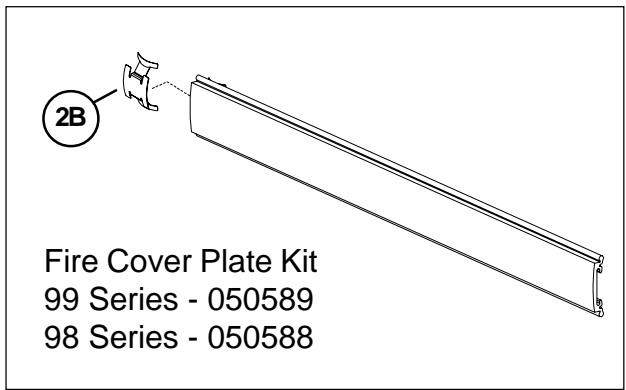
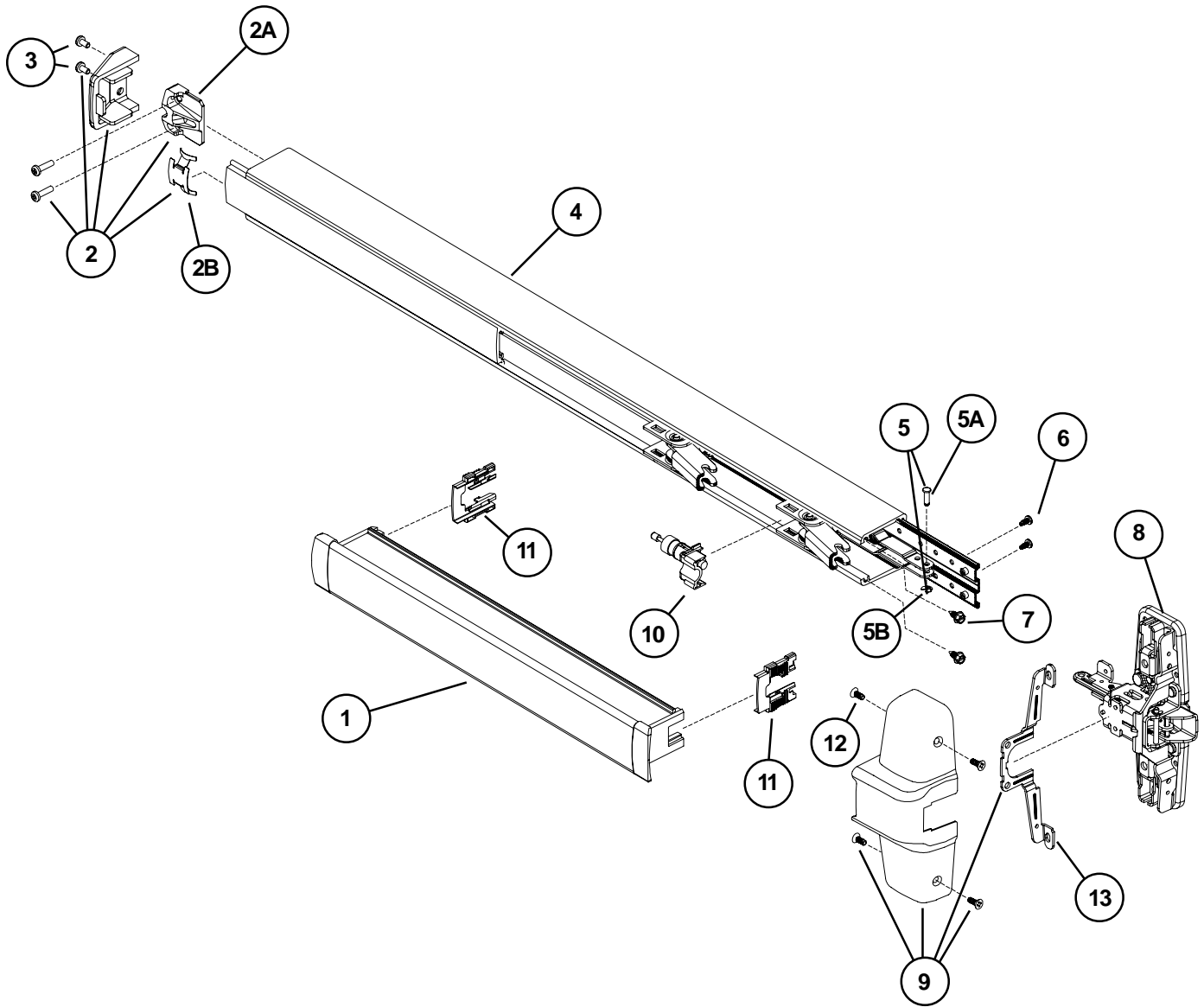
X in "Finish" column designates finished items; finish must be specified when ordering.

\* To order, specify device type, size, and finish. Example: PBKIT 98 3' US28

\*\*Includes parts for three piece cover conversion

\*\*\*Center case assembly parts shown on page 9.

# 98/99-F FIRE DEVICE



## 98/99-F FIRE DEVICE

| Item No. | Quantity | Part No. | Description                                  | Finish |
|----------|----------|----------|--|--------|
|          | 1        | 900561   | 98/99 Series Mounting Pkg. (1-3/4 & 2-1/4)   |        |
| 1        | 1        | *PBKIT   | 98/99 Series Push Bar Retrofit Kit - 3' Door | X      |
| 1        | 1        | *PBKIT   | 98/99 Series Push Bar Retrofit Kit - 4' Door | X      |
| 2        | 1        | 050014   | 98/99 Series End Cap Kit                     | X      |
| 2A       | 1        | 050524   | Impact Resistant End Cap Bracket             |        |
| 2B       | 1        | 090036   | Cover Plate Anti-rattle Spring (Pkg of 10)   |        |
| 3        | 1        | 900597   | Device End Cap and C/Case Screw Pkg.         | X      |
| 4        | 1        | 968144   | 99 Series Mechanism Case - 3' Door           | X      |
| 4        | 1        | 968146   | 99 Series Mechanism Case - 4' Door           | X      |
| 4        | 1        | 970191   | 98 Series Mechanism Case - 3' Door           | X      |
| 4        | 1        | 970192   | 98 Series Mechanism Case - 4' Door           | X      |
| 5        | 1        | 050529   | 98/99 Series Control Link Pin & Ret. Ring    |        |
| 5A       | 1        | 090031   | 98/99 Series Control Link Pin (Pkg of 10)    |        |
| 5B       | 1        | 090107   | Retaining Ring (Pkg of 10)                   |        |
| 6        | 2        | 090037   | #8-32 x 3/8" Baseplate Screw (Pkg of 10)     |        |
| 7        | 2        | 090073   | Mechanism Case Bracket Screw (Pkg of 10)     |        |
| 8***     | 1        | 050026   | 98/99-F Rim Center Case Less Cover           |        |
| 9**      | 1        | 050071   | 98/99 Rim Center Case Cover Kit              | X      |
| 10       | 1        | 050491   | Shock Absorber & Holder Assembly             |        |
| 11       | 2        | 090049   | Push Bar Guide (Pkg of 10)                   |        |
| 12       | 4        | 900892   | Center Case Cover Screws (Pkg of 4)          | X      |
| 13       | 1        | 050564   | Center Case Cover Bracket                    |        |

X in "Finish" column designates finished items; finish must be specified when ordering.

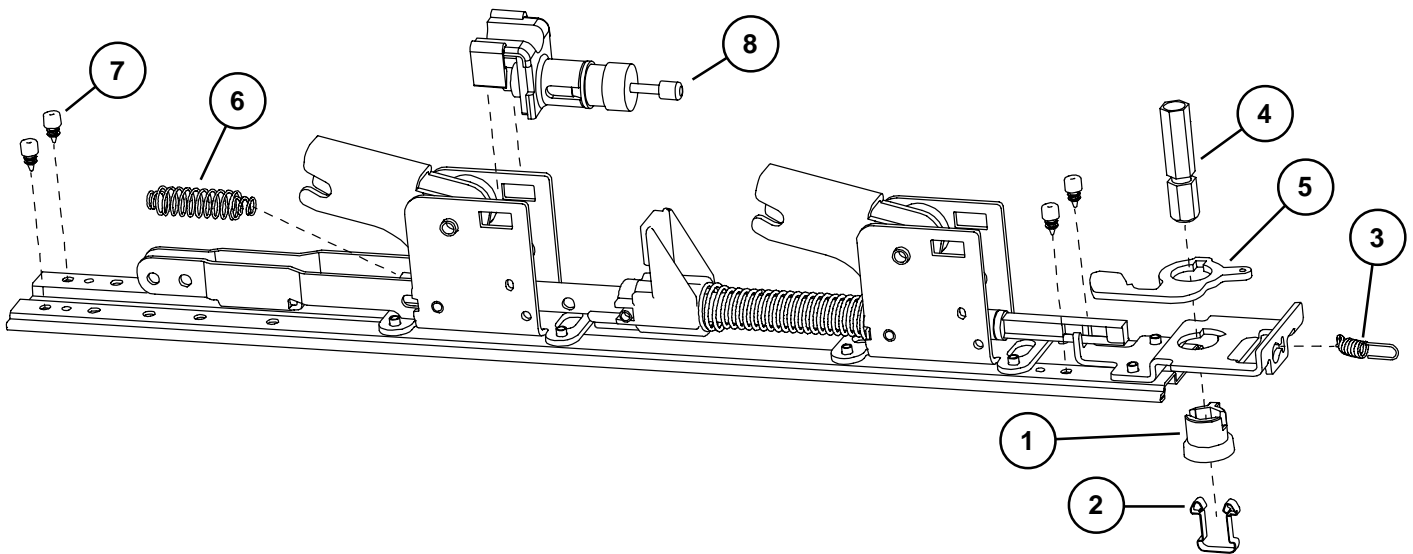
\* To order, specify device type, size, and finish. Example: PBKIT 98 3' US28

\*\*Includes parts for three piece cover conversion

\*\*\*Center case assembly parts shown on page 9.

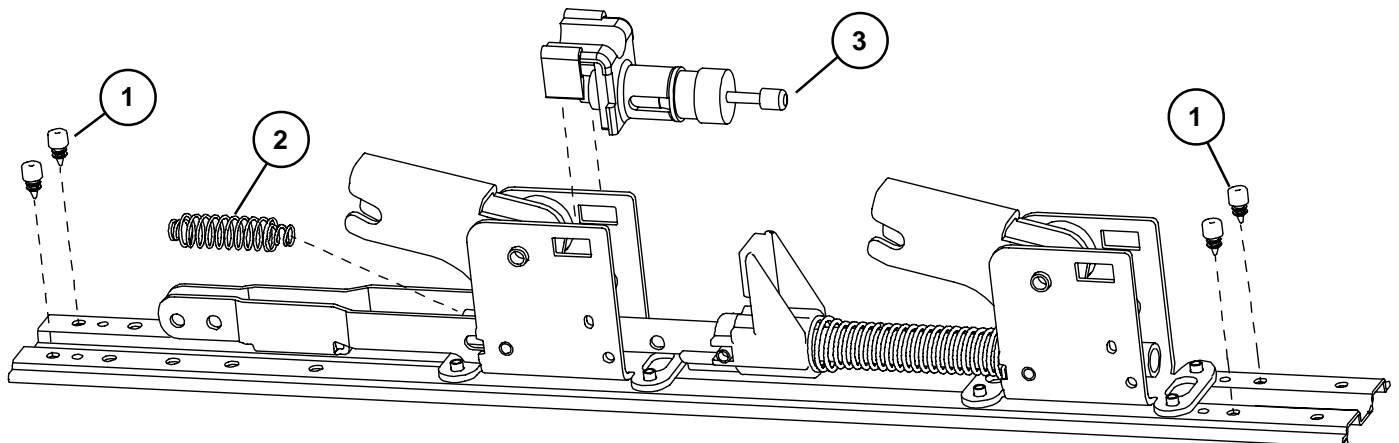
## 98/99 RIM PANIC DEVICE BASEPLATE ASSEMBLY

| Item No. | Quantity | Part No. | Description                       | Finish |
|----------|----------|----------|-----------------------------------|--------|
| 1        | 1        | 090043   | Dogging adapter (Pkg of 2)        |        |
| 2        | 1        | 090042   | Dogging adapter spring (Pkg of 2) |        |
| 3        | 1        | 090041   | Dogging spring (Pkg of 2)         |        |
| 4        | 1        | 090040   | Hex dogging shaft (Pkg of 2)      |        |
| 5        | 1        | 090044   | Dogging hook (Pkg of 2)           |        |
| 6        | 1        | 090039   | Latch return spring (Pkg of 10)   |        |
| 7        | 4        | 090038   | Rubber bumper (Pkg of 4)          |        |
| 8        | 1        | 050491   | Shock absorber                    |        |



## 98/99-F FIRE DEVICE BASEPLATE ASSEMBLY

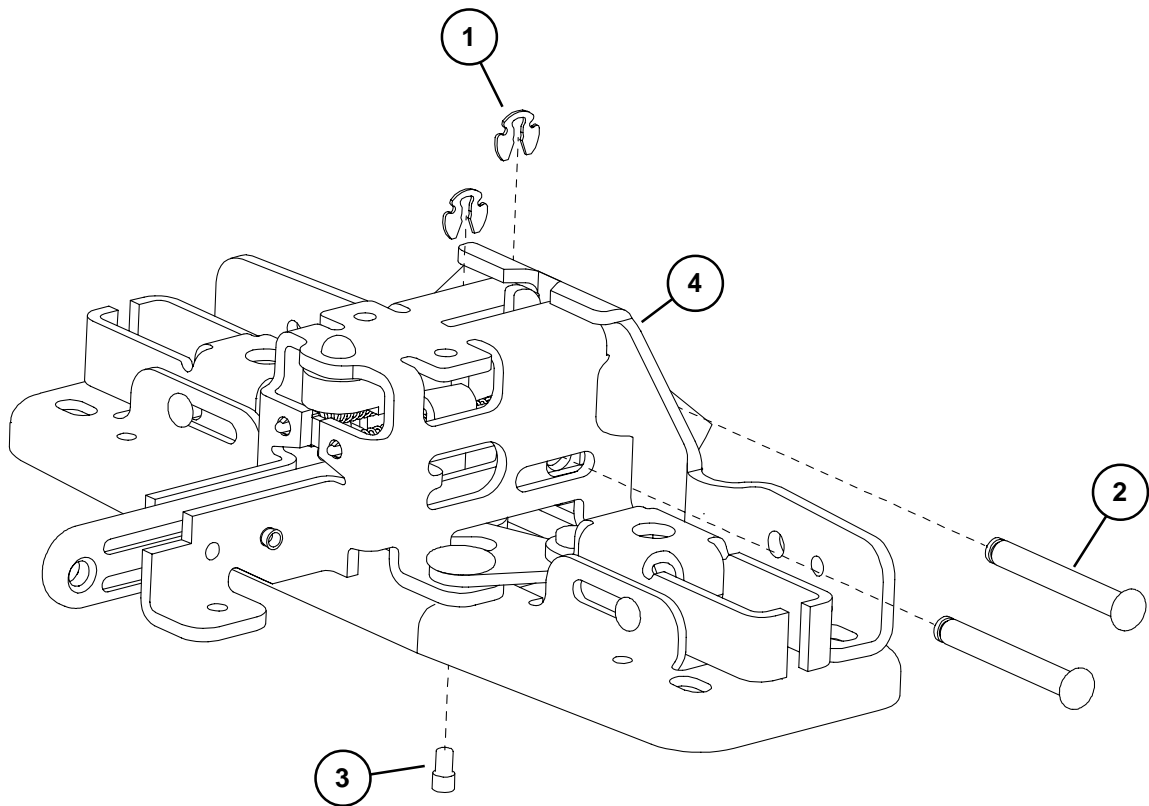
| Item No. | Quantity | Part No. | Description                     | Finish |
|----------|----------|----------|---------------------------------|--------|
| 1        | 4        | 090038   | Rubber bumper (Pkg of 4)        |        |
| 2        | 1        | 090039   | Latch return spring (Pkg of 10) |        |
| 3        | 1        | 050491   | Shock absorber                  |        |





## 98/99 PANIC & 98/99-F FIRE DEVICE CENTER CASE ASSEMBLY

| Item No. | Quantity | Part No. | Description                     | Finish |
|----------|----------|----------|---------------------------------|--------|
| 1        | 2        | 090107   | Retaining Ring (Pkg of 10)      |        |
| 2        | 2        | 090079   | Latch Bolt Pin (Pkg of 10)      |        |
| 3        | 1        | 090074   | NL Drive Screw (Pkg of 10)      |        |
| 4        | 1        | 050565   | Center Case Reinforcing Bracket |        |



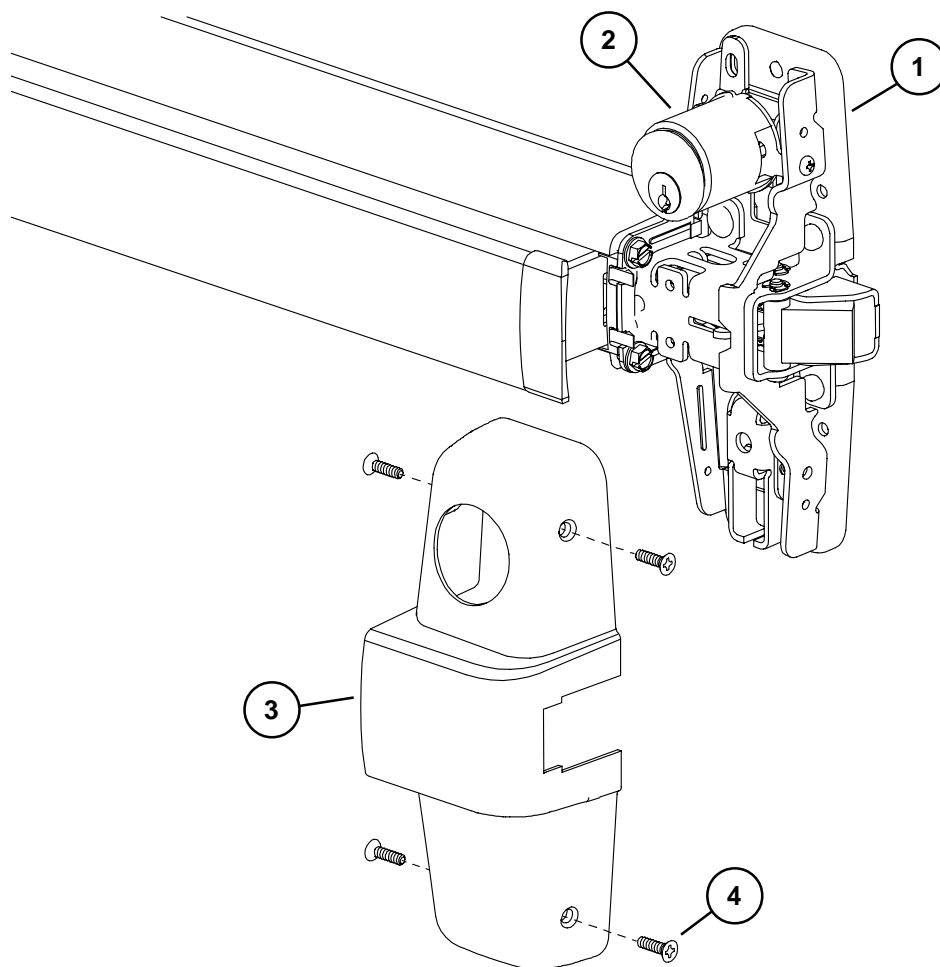
## 98/99-2 & 98/99-F-2 DOUBLE CYLINDER OPTION

| Item No. | Quantity | Part No. | Description                                 | Finish |
|----------|----------|----------|---|--------|
| 1*       | 1        | 050024   | 98/99-2 RHR Center Case Less Cover          |        |
| 1*       | 1        | 050025   | 98/99-2 LHR Center Case Less Cover          |        |
| 1*       | 1        | 050027   | 98/99-F-2 RHR Center Case Less Cover        |        |
| 1*       | 1        | 050028   | 98/99-F-2 LHR Center Case Less Cover        |        |
| 2        | 1        | 113098   | 98/99 Rim Double Cyl. Adapter Assembly -LHR |        |
| 2        | 1        | 113099   | 98/99 Rim Double Cyl. Adapter Assembly -RHR |        |
| 3**      | 1        | 050555   | 98/99-2/SD RHR Center Case Cover Kit        | X      |
| 3**      | 1        | 050556   | 98/99-2/SD LHR Center Case Cover Kit        | X      |
| 4        | 4        | 900892   | Center Case Cover Screws (Pkg of 4)         | X      |
| ***      | 1        | 050388   | 98/99-2 Conversion Kit RHR                  | X      |
| ***      | 1        | 050389   | 98/99-2 Conversion Kit LHR                  | X      |

\*Parts shown are for the double cylinder option. For other available center case parts refer to page 9.

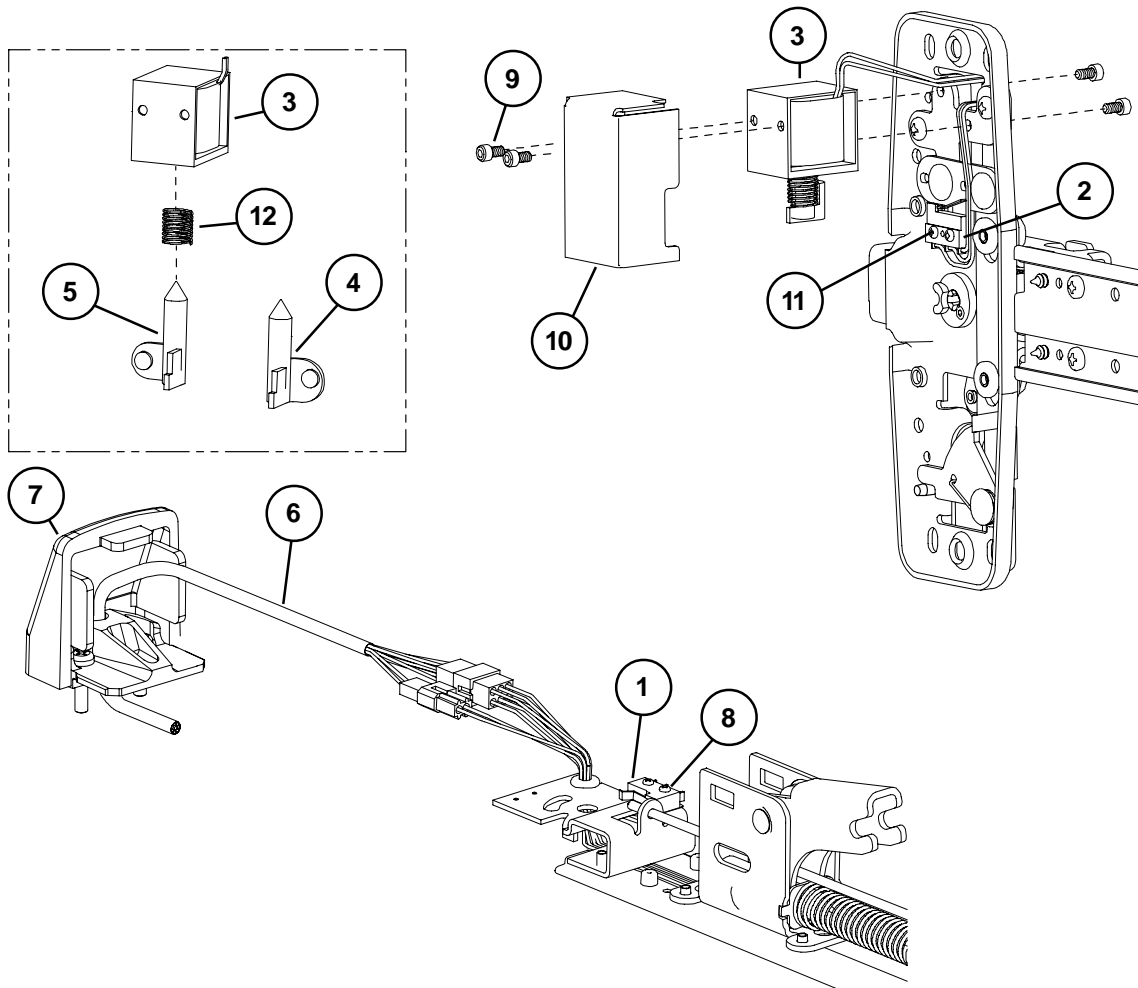
\*\*Includes parts for three piece cover conversion.

\*\*\*Kit includes items 1-4.



## E98/99 & E98/99-F (ELECTRIC LOCKING) OPTION

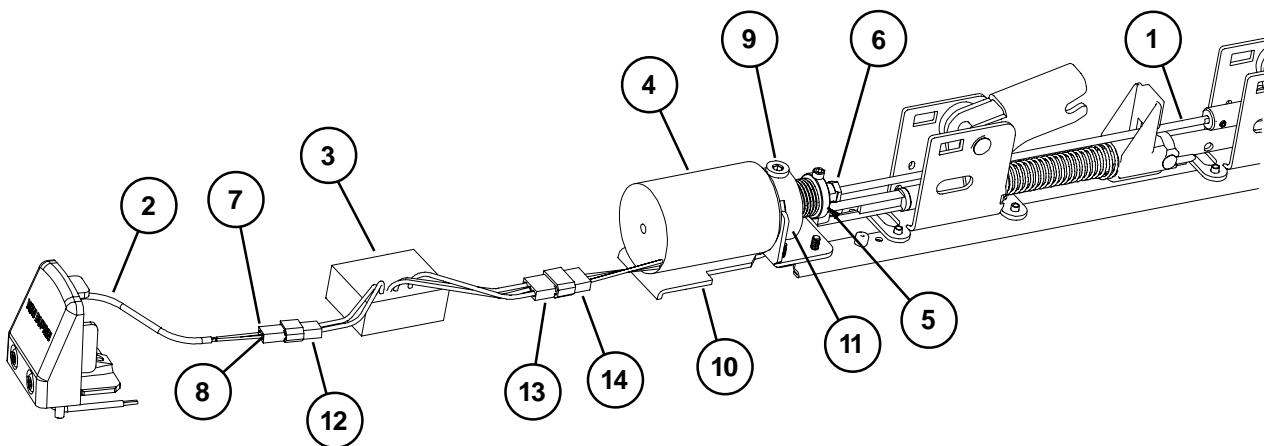
| Item No. | Quantity | Part No. | Description                                     | Finish |
|----------|----------|----------|---|--------|
| 1        | 1        | 106224   | E98/99 Rim Subminiature Switch Assembly (R,Y,B) |        |
| 2        | 1        | 968938   | Subminiature Switch                             |        |
| 3        | 1        | 110389   | E98/99 Rim Solenoid                             |        |
| 4        | 1        | 110392   | E98/99 Solenoid Plunger - FSE RHR               |        |
| 4        | 1        | 110390   | E98/99 Solenoid Plunger - FSE LHR               |        |
| 5        | 1        | 110393   | E98/99 Solenoid Plunger - FS RHR                |        |
| 5        | 1        | 110391   | E98/99 Solenoid Plunger - FS LHR                |        |
| 6        | 1        | 110867   | E98/99 Rim Signal Cable                         |        |
| 7        | 1        | 050014   | 98/99 Series End Cap Kit                        | X      |
| 8        | 2        | 964269   | 2-56 x 3/8" PPHMS Subminiature Switch Screws    |        |
| 9        | 4        | 963761   | 6-32 x 1/4" Socket Cap Solenoid Cover Screws    |        |
| 10       | 1        | 969605   | Solenoid Cover                                  |        |
| 11       | 2        | 964000   | 2-56 x 3/4" PPHMS Subminiature Switch Screws    |        |
| 12       | 1        | 969606   | Solenoid Spring                                 |        |



## HD-EL98/HD-EL99 HEX DOGGING/ELECTRIC LATCH RETRACTION OPTION - PANIC DEVICE ONLY

| Item No. | Quantity | Part No. | Description                          | Finish |
|----------|----------|----------|--------------------------------------|--------|
| 1        | 1        | 050531   | EL Dogging Rod Kit - 3' Device       |        |
| 1        | 1        | 050532   | EL Dogging Rod Kit - 4' Device       |        |
| 2        | 1        | 110388   | EL 6' Cable and Connector            |        |
| 3        | 1        | 050534   | EL Potted Circuit Breaker            |        |
| 4        | 1        | 050536   | HD-EL Solenoid                       |        |
| 5        | 1        | 050537   | HD-EL Solenoid Plunger               |        |
| 6        | 1        | 050538   | EL Dogging Rod Retainer              |        |
| 7        | 1        | 050539   | EL Receptacle Connector - 2 Position |        |
| 8        | 2        | 050540   | EL Female Terminal                   |        |
| 9        | 1        | 050541   | HD-EL Dog Screw                      |        |
| 10       | 1        | 050542   | HD-EL Solenoid Bracket               |        |
| 11       | 1        | 050543   | HD-EL Dogging Spring                 |        |
| 12       | 1        | 990599   | EL Plug Connector - 2 Position       |        |
| 13       | 1        | 990857   | EL Receptacle Connector - 3 Position |        |
| 14       | 1        | 990858   | EL Plug Connector - 3 Position       |        |
| *        | 1        | 050384   | HD-EL Conversion Kit - 3'            |        |
| *        | 1        | 050385   | HD-EL Conversion Kit - 4'            |        |

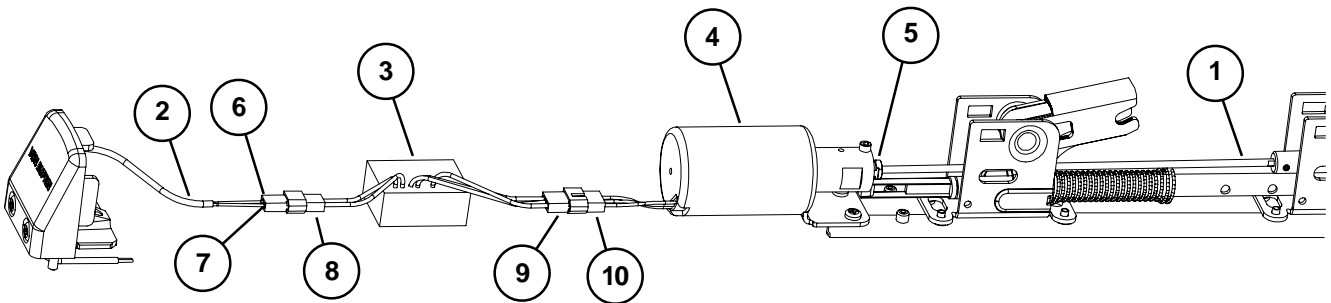
\*Kit includes items 1-11 plus new control link, retaining ring, and baseplate screws.



## EL98/EL99 SERIES ELECTRIC LATCH RETRACTION OPTION

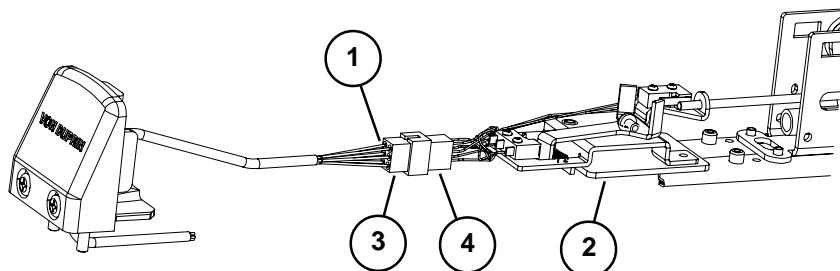
| Item No. | Quantity | Part No. | Description                          | Finish |
|----------|----------|----------|--------------------------------------|--------|
| 1        | 1        | 050531   | EL Dogging Rod Kit - 3' device       |        |
| 1        | 1        | 050532   | EL Dogging Rod Kit - 4' device       |        |
| 2        | 1        | 110388   | EL 6' Cable and Connector            |        |
| 3        | 1        | 050534   | EL Potted Circuit Breaker            |        |
| 4        | 1        | 050535   | EL Solenoid Assembly                 |        |
| 5        | 1        | 050538   | EL Dogging Rod Retainer              |        |
| 6        | 1        | 050539   | EL Receptacle Connector              |        |
| 7        | 2        | 050540   | EL Female Terminal                   |        |
| 8        | 1        | 990599   | EL Plug Connector - 2 Position       |        |
| 9        | 1        | 990857   | EL Receptacle Connector - 3 Position |        |
| 10       | 1        | 990858   | EL Plug Connector - 3 Position       |        |
| *        | 1        | 050070   | EL Conversion Kit - 3'               |        |
| *        | 1        | 050078   | EL Conversion Kit - 4'               |        |

\*Kit includes items 1-7 plus new control link pin, retaining ring, and baseplate screws.

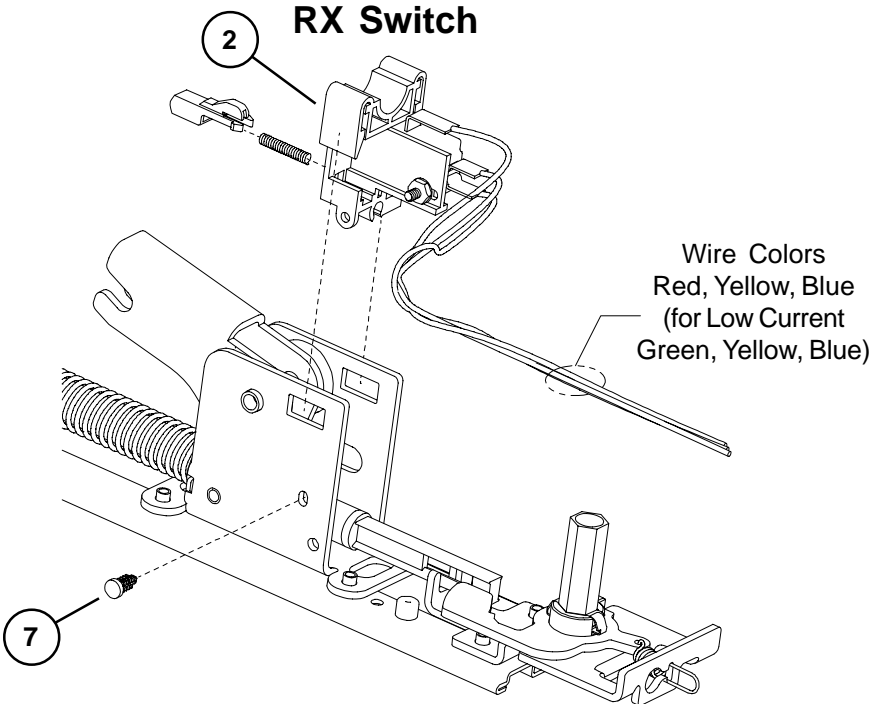
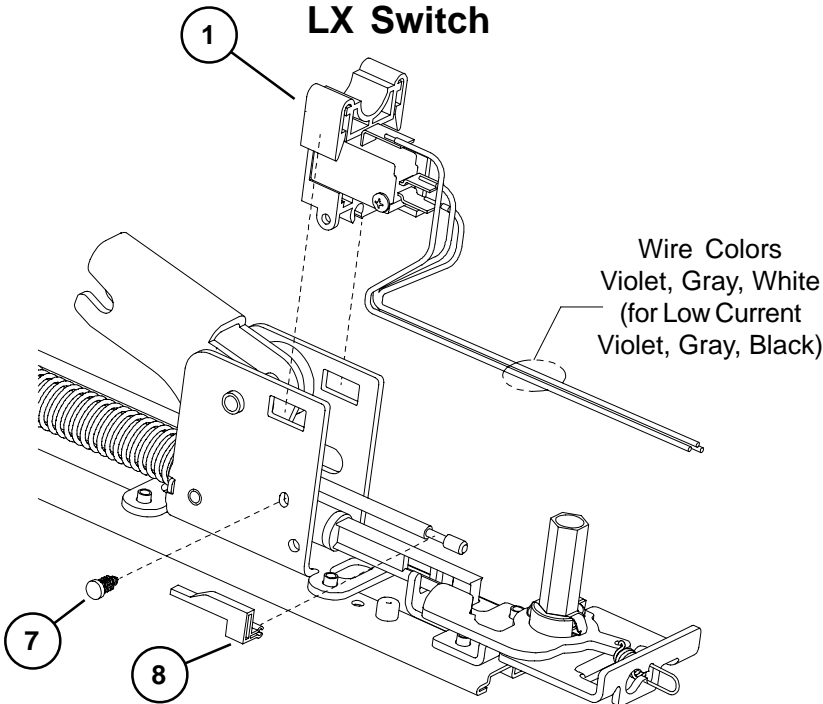


## SS98/SS99 SERIES (SIGNAL SWITCH) OPTION

| Item No. | Quantity | Part No. | Description                          | Finish |
|----------|----------|----------|--------------------------------------|--------|
| 1        | 1        | 050544   | SS Cable                             |        |
| 2        | 1        | 050545   | SS Housing                           |        |
| 3        | 1        | 990601   | SS Plug Connector - 6 Position       |        |
| 4        | 1        | 990602   | SS Receptacle Connector - 6 Position |        |

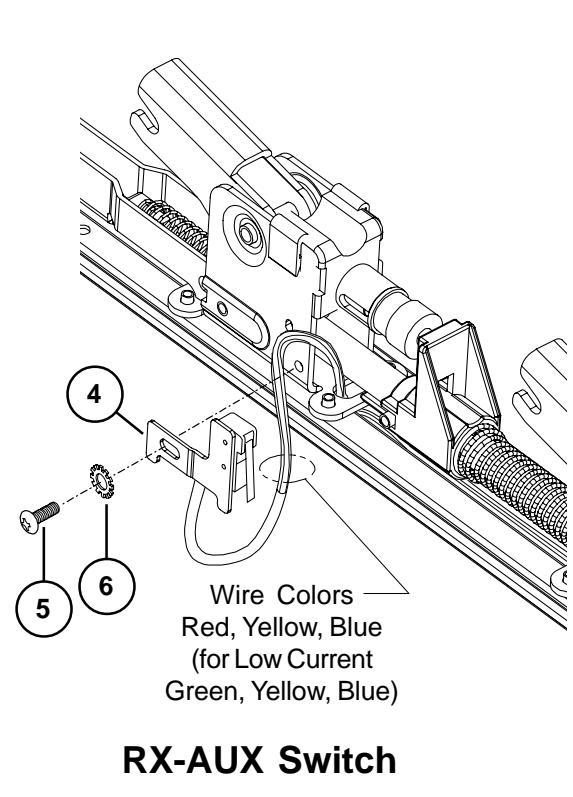
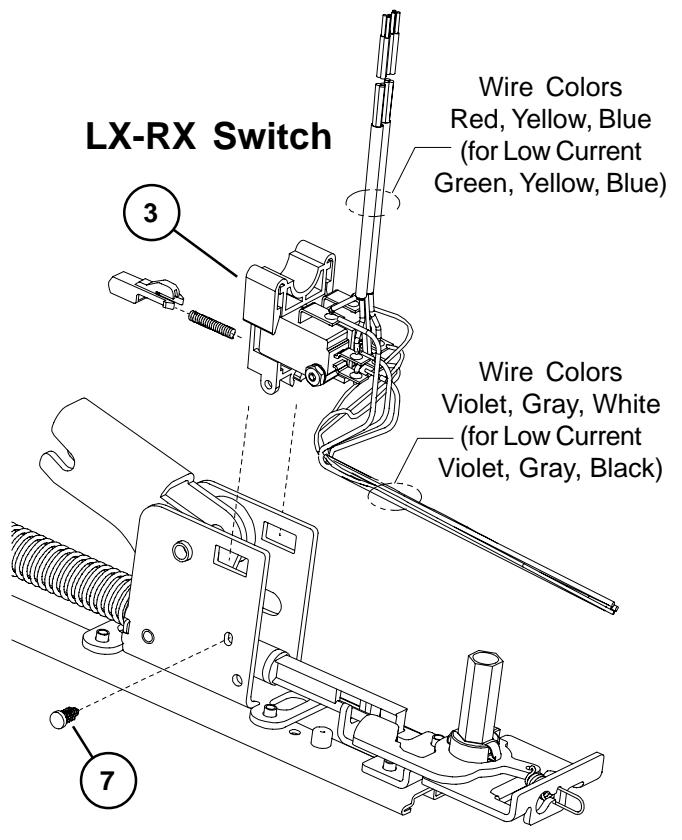


# 98/99 SERIES LX (LATCH BOLT MONITOR) & RX (REQUEST TO EXIT) OPTIONS



# 98/99 SERIES LX (LATCH BOLT MONITOR) & RX (REQUEST TO EXIT) OPTIONS

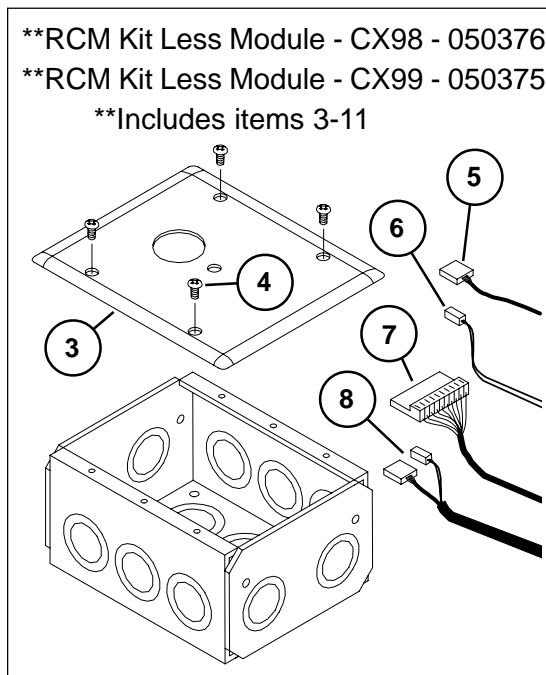
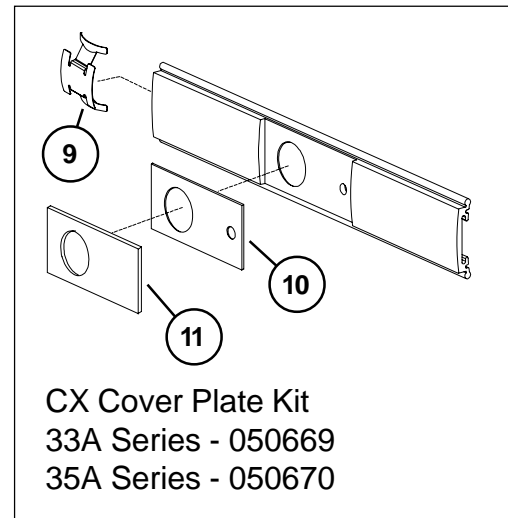
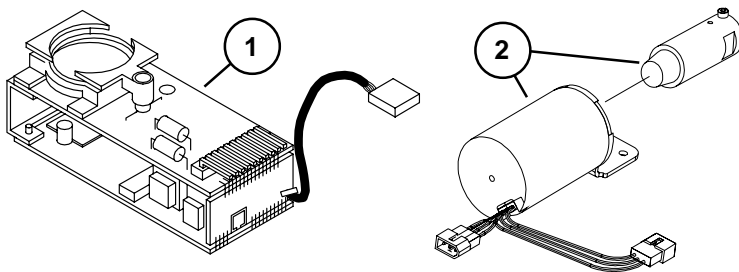
| Item No. | Quantity | Part No. | Description                              | Finish |
|----------|----------|----------|--|--------|
| 1        | 1        | 050254   | LX Switch Kit 3' Device                  |        |
| 1        | 1        | 050255   | LX Switch Kit 4' Device                  |        |
| 1        | 1        | 050247   | LX-EL Switch Kit                         |        |
| 1        | 1        | 050283   | LX-LC (Low Current) Switch Kit 3' Device |        |
| 1        | 1        | 050285   | LX-LC (Low Current) Switch Kit 4' Device |        |
| 1        | 1        | 050287   | LX-LC-EL (Low Current) Switch Kit        |        |
| 2        | 1        | 050251   | RX Switch Kit                            |        |
| 2        | 1        | 050281   | RX-LC (Low Current) Switch Kit           |        |
| 3        | 1        | 050256   | LX-RX Switch Kit 3' Device               |        |
| 3        | 1        | 050257   | LX-RX Switch Kit 4' Device               |        |
| 3        | 1        | 050259   | LX-RX-EL Switch Kit                      |        |
| 3        | 1        | 050289   | LX-RX-LC (Low Current) Sw. Kit 3' Device |        |
| 3        | 1        | 050291   | LX-RX-LC (Low Current) Sw. Kit 4' Device |        |
| 3        | 1        | 050293   | LX-RX-LC-EL (Low Current) Switch Kit     |        |
| 2 & 4    | 1        | 050270   | RX-2 Switch Kit                          |        |
| 4        | 1        | 050271   | RX-AUX Switch Kit                        |        |
| 5        | 1        | 964558   | 8-32 x 5/16" PPHMS                       |        |
| 6        | 1        | 964019   | #8 Washer                                |        |
| 7        | 1        | 090099   | Pine Tree Clip (Pkg of 10)               |        |
| 8        | 1        | 971091   | LX Actuator                              |        |



## CX98/99 SERIES CHEXIT AND CX-RCM OPTION

| Item No. | Quantity | Part No. | Description                                | Finish |
|----------|----------|----------|--|--------|
| 1        | 1        | 050228   | Chexit PCB Kit - 15 Second Release         |        |
| 1*       | 1        | 050700   | Chexit PCB Kit - 30 Second Release         |        |
| 1        | 1        | 050701   | Chexit PCB Kit - 0 Second Release          |        |
| 1        | 1        | 050702   | Chexit PCB Kit - Boca 15 Second Release    |        |
| 1*       | 1        | 050703   | Chexit PCB Kit - Boca 30 Second Release    |        |
| 2        | 1        | 050533   | CX Solenoid and Plunger                    |        |
| 3        | 1        | 113111   | Faceplate and Adapter                      | X      |
| 4        | 4        | 963898   | 6-32 x 3/8" OPHMS Faceplate Screws         | X      |
| 5        | 1        | 991338   | RCM 3 Wire RX Cable                        |        |
| 6        | 1        | 991339   | RCM 2 Wire Solenoid Cable                  |        |
| 7        | 1        | 112018   | Chexit Wiring Assembly                     |        |
| 8        | 1        | 991336   | CX-RCM Cable Assy - 5 Wire                 |        |
| 9        | 1        | 090036   | Cover Plate Anti-rattle Spring (Pkg of 10) |        |
| 10       | 1        | 970513   | LED Cover Mask - Chexit                    |        |
| 11       | 1        | 970519   | LED Cover - Chexit                         |        |
| 12       | 1        | 113781   | Sign 15 Second - Chexit                    |        |
| 13       | 1        | 113782   | Sign 30 Second - Chexit                    |        |

**\*Over 15 seconds delay requires a letter of approval from authority having local jurisdiction. Fax letter in with sales order. The order cannot be processed without the letter.**



**PUSH UNTIL ALARM SOUNDS  
DOOR CAN BE OPENED IN 15 SECONDS**



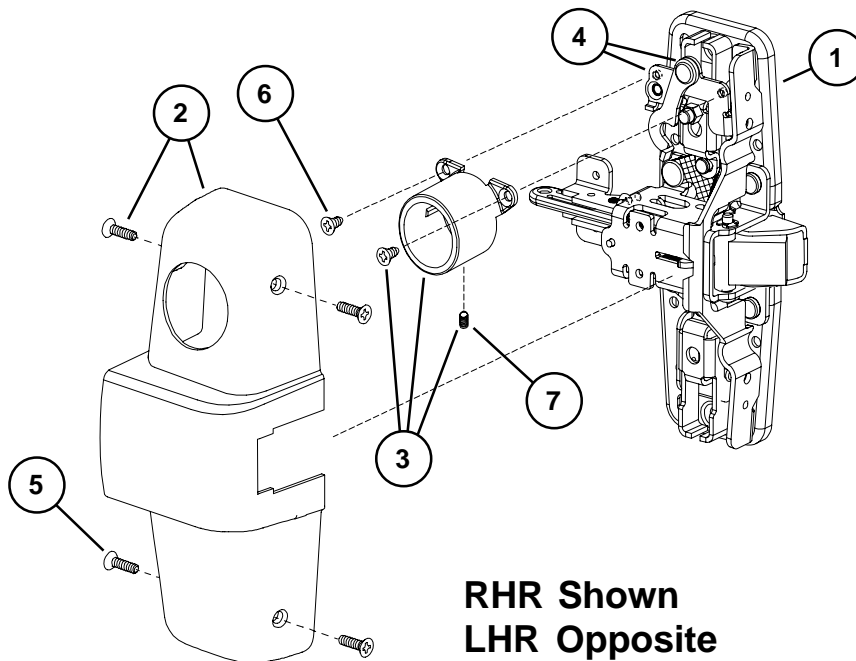
**PUSH UNTIL ALARM SOUNDS  
DOOR CAN BE OPENED IN 30 SECONDS**



## CX-CD/SD98/99 SERIES OPTION

| Item No. | Quantity | Part No.     | Description                            | Finish |
|----------|----------|--------------|--|--------|
| 1*       | 1        | 050548       | SD98/99 RHR Center Case Kit Less Cover |        |
| 1*       | 1        | 050549       | SD98/99 LHR Center Case Kit Less Cover |        |
| 2        | 1        | 050555       | SD98/99 RHR Center Case Cover Kit      | X      |
| 2        | 1        | 050556       | SD98/99 LHR Center Case Cover Kit      | X      |
| 3        | 1        | 112409       | CD-CX/SD Cylinder Dog Housing          |        |
| 4        | 1        | 112455       | CX-CD/SD Cylinder Dog Bracket Kit RHR  |        |
| 4        | 1        | 112456       | CX-CD/SD Cylinder Dog Bracket Kit LHR  |        |
| 5        | 4        | 900892       | Center Case Cover Screws               | X      |
| 6        | 2        | PkgServ.1018 | 8-32 x 1/4" UFPHMS (Pkg of 20)         |        |
| 7        | 1        | 964240       | Bracket Set Screw                      |        |
| *        | 1        | 050386       | SD98/99 Rim Conversion Kit RHR         | X      |
| *        | 1        | 050387       | SD98/99 Rim Conversion Kit LHR         | X      |

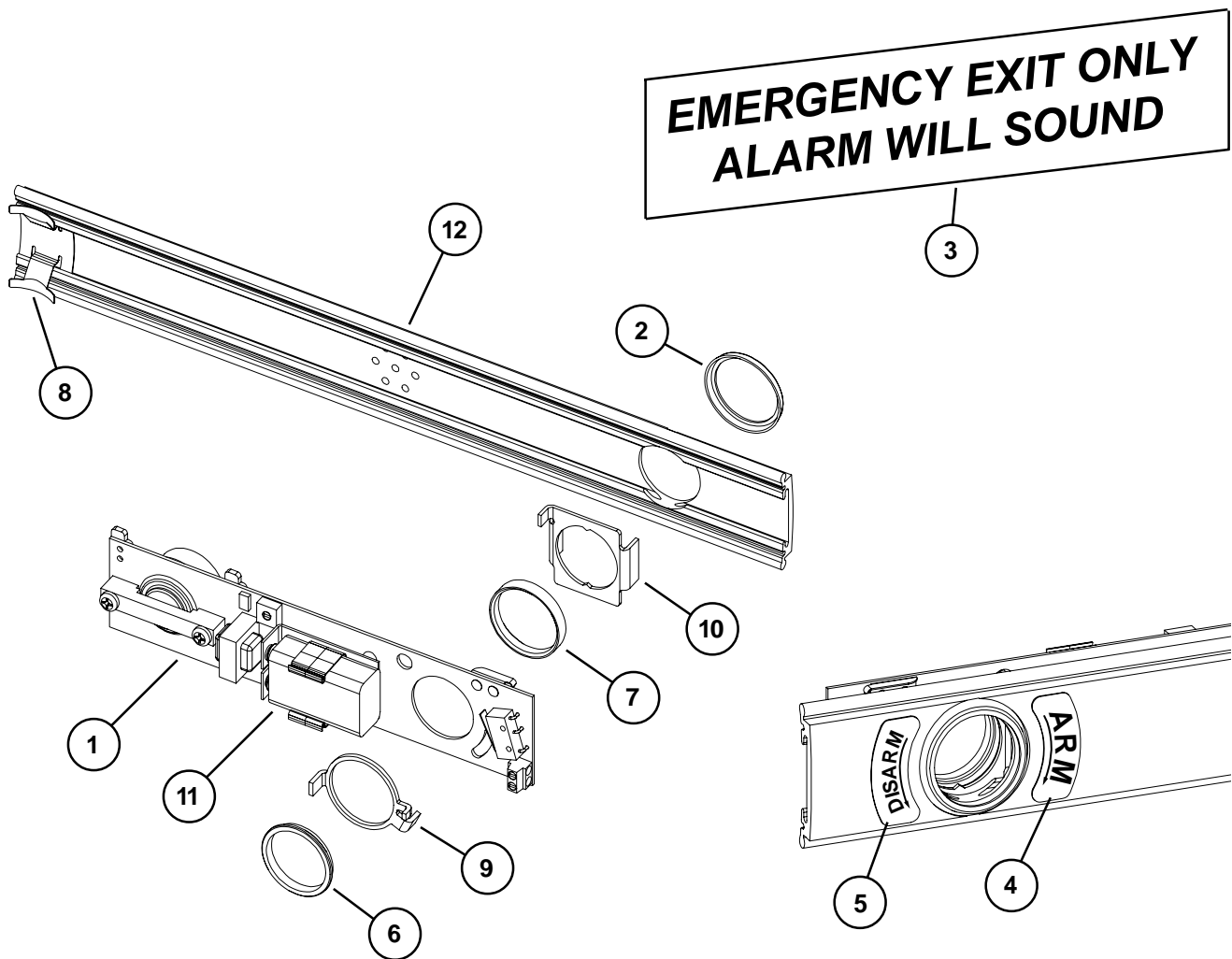
\*Parts shown are for the CX-CD/SD option. For other available center case parts refer to page 9.



## 98/99 ALK EXIT ALARM KIT

| Item No. | Quantity | Part No. | Description                                | Finish |
|----------|----------|----------|--|--------|
| 1        | 1        | 111795   | ALK PCB Assembly                           |        |
| 2        | 1        | 050525   | Cylinder Collar                            | X      |
| 3        | 1        | 969122   | ALK Alarm Device Sign                      |        |
| 4        | 1        | 969349   | ALK Arming Label                           |        |
| 5        | 1        | 969350   | ALK Disarming Label                        |        |
| 6        | 1        | 969354   | Retainer Nut                               |        |
| 7        | 1        | 970594   | ALK Cylinder Spacer                        |        |
| 8        | 1        | 090036   | Cover Plate Anti-rattle spring (Pkg of 10) |        |
| 9        | 1        | 971556   | ALK Switch Actuator                        |        |
| 10       | 1        | 971557   | ALK Cylinder Bracket                       |        |
| 11       | 1        | 990637   | ALK Battery                                |        |
| 12       | 1        | 050569   | 99 Series ALK Cover Plate Kit              | X      |
| 12       | 1        | 050570   | 98 Series ALK Cover Plate Kit              | X      |

X in "Finish" column designates finished items; finish must be specified when ordering.

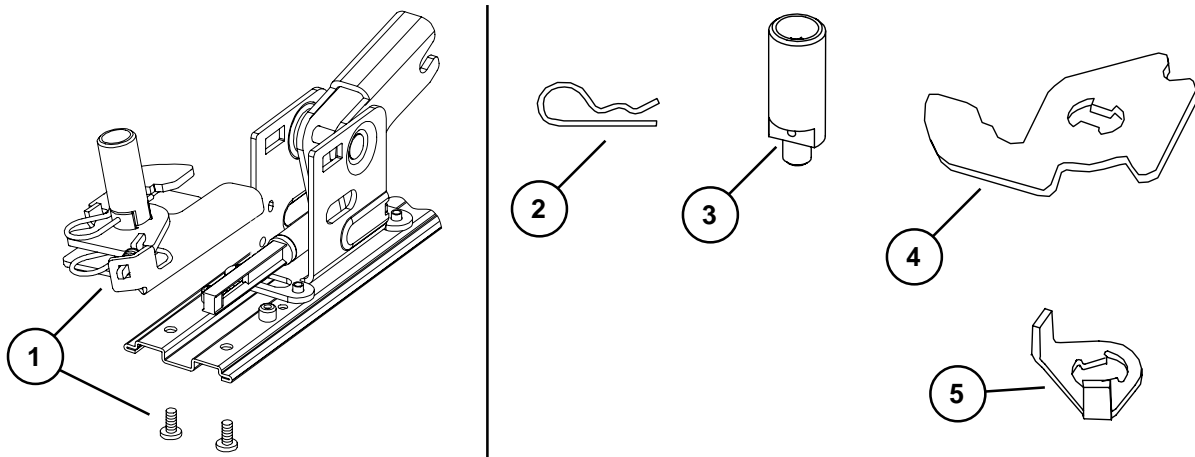


## 98/99 SERIES SERVICE REPLACEMENT ITEMS

| Item No. | Quantity | Part No. | Description                               | Finish |
|----------|----------|----------|---|--------|
| 1        | 1        | 050153   | Old Style Hex Dogging Replacement Kit     |        |
| 2        | 1        | 963909   | #22 Hitch Pin - Hex/CD Dogging Old Style  |        |
| 3        | 1        | 968112   | Old Style Hex Dog Shaft                   |        |
| 4        | 1        | 969941   | Old Style Dogging Hook                    |        |
| 5        | 1        | 968116   | Old Style CD Actuator Arm                 |        |
| 6        | 1        | 900905   | Old Style End Cap and Bracket Assembly    | X      |
| 7        | 1        | 970548   | Old Style Cover Plate Stop - End Cap      |        |
| 8        | 1        | 900901   | Old Style End Cap Screw Package           | X      |
| 9        | 1        | 971082   | Old Style 98/99 End Cap - Stainless Steel | X      |
| 9        | 1        | 971083   | Old Style 98/99 End Cap - Brass           | X      |
| 9        | 1        | 971084   | Old Style 98/99 End Cap - Bronze          | X      |
| 9        | 1        | 971085   | Old Style 98/99 End Cap - Aluminum        | X      |

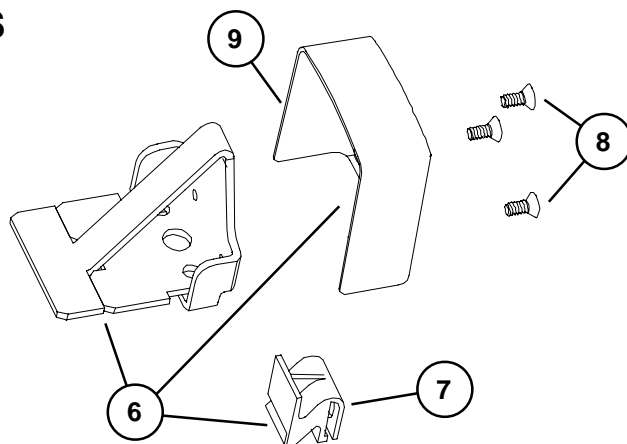
X in "Finish" column designates finished items; finish must be specified when ordering.

### OLD STYLE DOGGING PARTS (FOR DEVICES SHIPPED BEFORE AUGUST 1997)



### OLD STYLE END CAP PARTS (FOR DEVICES SHIPPED BEFORE JANUARY 2002)

**Note:** Newer style end cap kit shown on pages 4-5. Newer style end cap kit can be used on devices manufactured before January 2002, but mechanism case and cover plate on hinge stile must have a square cut and a clean edge.



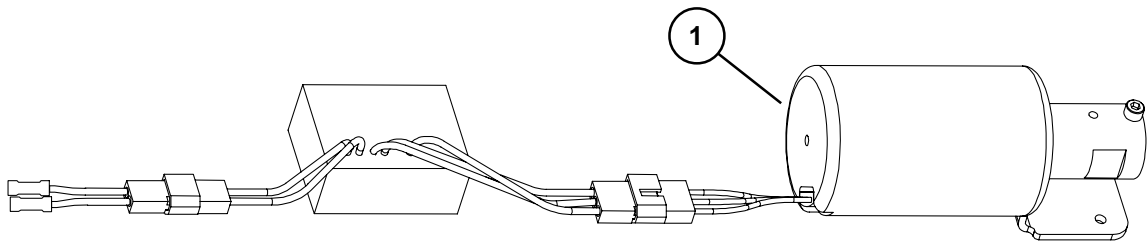
## 98/99 SERIES SERVICE REPLACEMENT ITEMS

| Item No. | Quantity | Part No. | Description                 | Finish |
|----------|----------|----------|-----------------------------|--------|
| 1        | 1        | 050218   | EL Solenoid Replacement Kit |        |

X in "Finish" column designates finished items; finish must be specified when ordering.

### EL SOLENOID REPLACEMENT KIT (FOR DEVICES SHIPPED BEFORE JANUARY 1987)

**Note:** This kit replaces the old style EL solenoid parts with the new style.

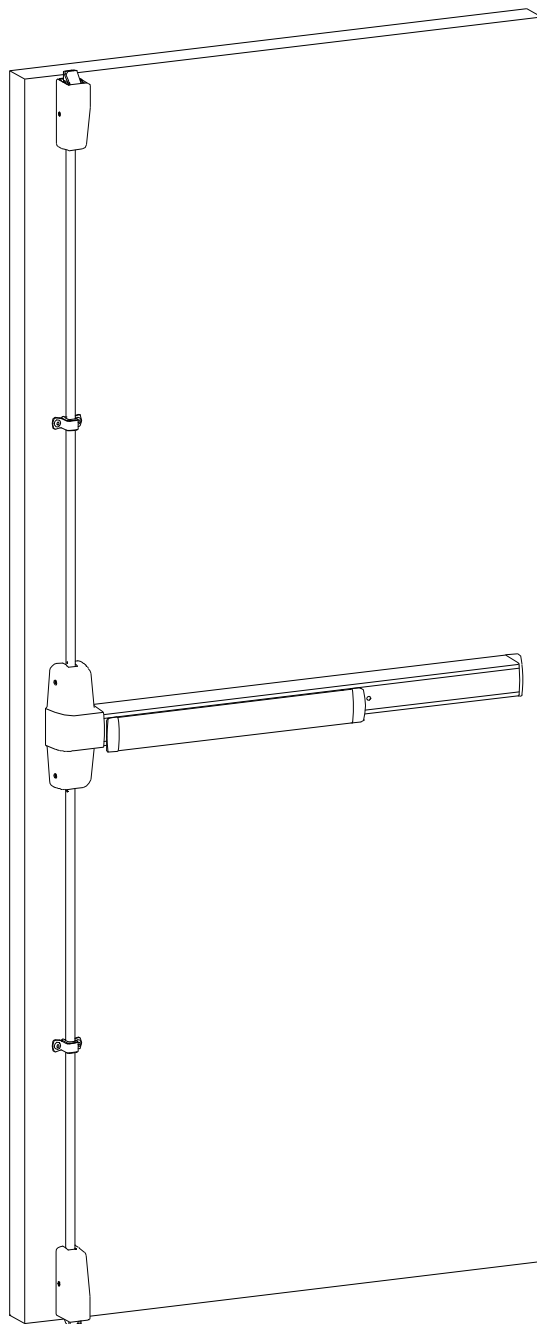


# VON DUPRIN<sup>®</sup>

## PARTS MANUAL

JANUARY 2010

### 98/9927 SERIES EXIT DEVICES



PM989927\_D  
VD-GN-1031

 **Ingersoll Rand**  
Security Technologies

Copyright © 2010 Ingersoll-Rand Company. All rights reserved.

# INDEX

|   |       |
|---|-------|
| 98/9927 Devices                                     |       |
| Basic Panic Device .....                            | 4-5   |
| Basic Fire Device .....                             | 6-7   |
| Vertical Rods and Latches .....                     | 8-9   |
| Baseplate Assemblies .....                          | 10    |
| Center Case Assembly .....                          | 11    |
| LBR (Less Bottom Rod) Fire Latch Kit .....          | 11    |
| <br>Variations of the Basic Device                  |       |
| CD (Cylinder Dogging) .....                         | 4-5   |
| HD-EL (Hex Dogging/Electric Latch Retraction) ..... | 12    |
| EL (Electric Latch Retraction) .....                | 13    |
| SS (Signal Switch) .....                            | 13    |
| RX (Request to Exit) .....                          | 14-15 |
| LX (Latch Bolt Monitoring) .....                    | 14-15 |
| CX Chexit .....                                     | 16    |
| CX-CD/SD .....                                      | 17    |
| ALK Exit Alarm Kit .....                            | 18    |
| <br>Service Replacement Items .....                 | 19-20 |
| <br>General Information                             |       |
| Introduction .....                                  | 2     |
| How to Order .....                                  | 2     |
| Part Number Changes .....                           | 2     |
| Finishes .....                                      | 3     |
| Outside Trim Functions .....                        | 3     |
| Strikes .....                                       | 3     |

## INTRODUCTION

This manual contains a listing of replaceable parts and assemblies for the 98/9927 Exit Hardware Devices. 98 Series and 99 Series devices are almost identical. The 99 Series has a grooved case; the 98 Series has a smooth case.

## HOW TO ORDER

Some parts are sold separately. Other items are available as part of a kit or multiple quantity package. For the best possible service when ordering replacement parts or assemblies, please provide the following information:

- Part number or assembly number
- Description
- Quantity needed
- Finish desired (if available finished)
- Date of original purchase (if known)

To find out the name of your local Von Duprin distributor or sales representative, contact:

Von Duprin Division  
Ingersoll-Rand Company  
2720 Tobey Drive  
Indianapolis, Indiana 46219  
Phone: (800) 999-0408  
Fax: (800) 999-0328  
Website: [www.vonduprin.com](http://www.vonduprin.com)

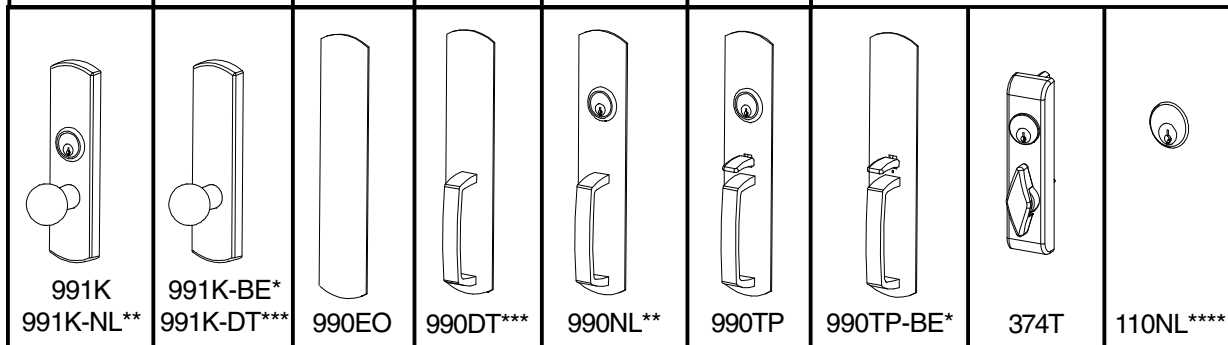
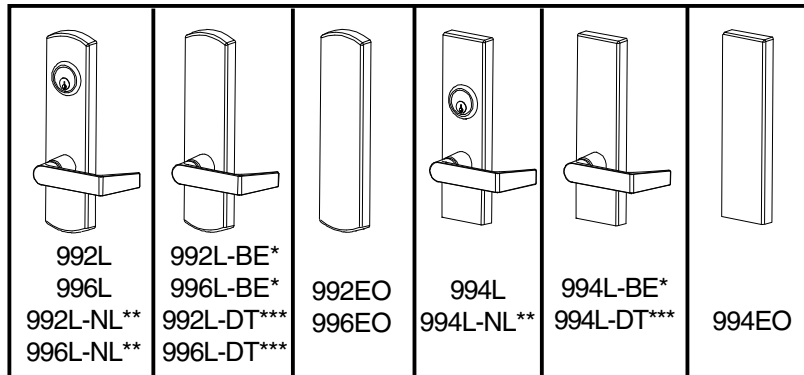
## PART NUMBER CHANGES

This manual reflects the product as sold in January 2010. Because of changes to the product and/or manufacturing process, part numbers can change.

## 98/99 SERIES FINISHES

### OUTSIDE TRIM FUNCTIONS

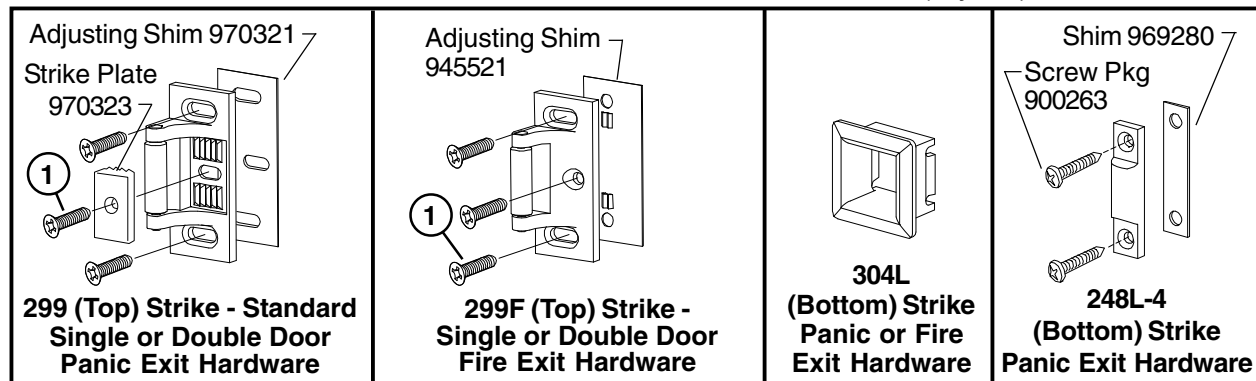
| U.S. Std Reference | BHMA Reference | Description                      |
|--------------------|----------------|----------------------------------|
| US3                | 605            | Polished Brass                   |
| US4                | 606            | Dull Brass                       |
| US10               | 612            | Dull Bronze                      |
| US15               | 619            | Satin Nickel                     |
| US26               | 625            | Polished Chrome                  |
| US26D              | 626            | Dull Chrome                      |
| US28               | 628            | Anodized Alum. (Clear)           |
| US32D              | 630            | Satin Stainless Steel            |
| 313AN              | 710            | Anodized Alum. (313) Dark Bronze |
| 315AN              | 711            | Anodized Alum. (Black)           |



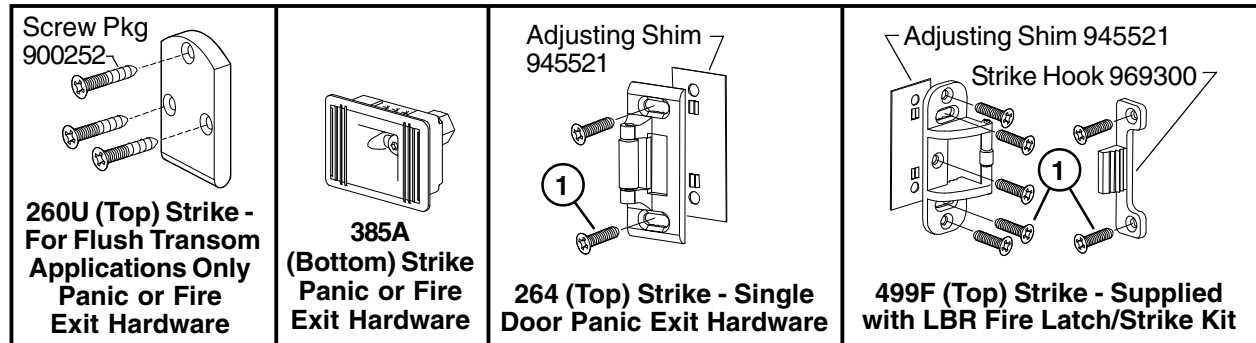
- \* "BE" (Blank Escutcheon) no cylinder used - lever always active
- \*\* "NL" (Night Latch) rigid lever - key retracts latch bolt
- \*\*\* "DT" (Dummy Trim) rigid lever for pull operation
- \*\*\*\* Optional Pull needs to be added

- ① Metal Door Screw Package PKGSRV.1023 (Pkg of 10)
- Wood Door Screw 964291 (Qty of 1)

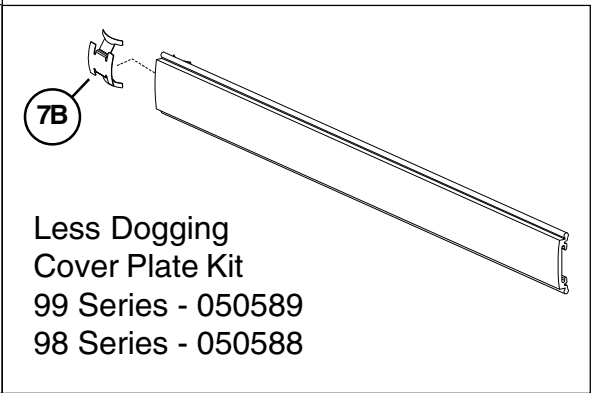
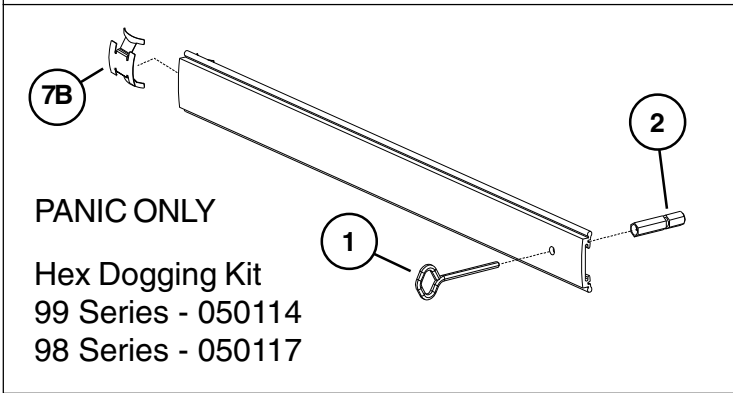
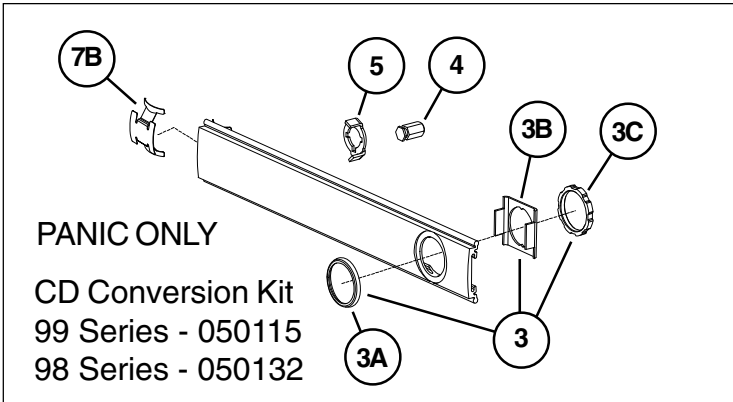
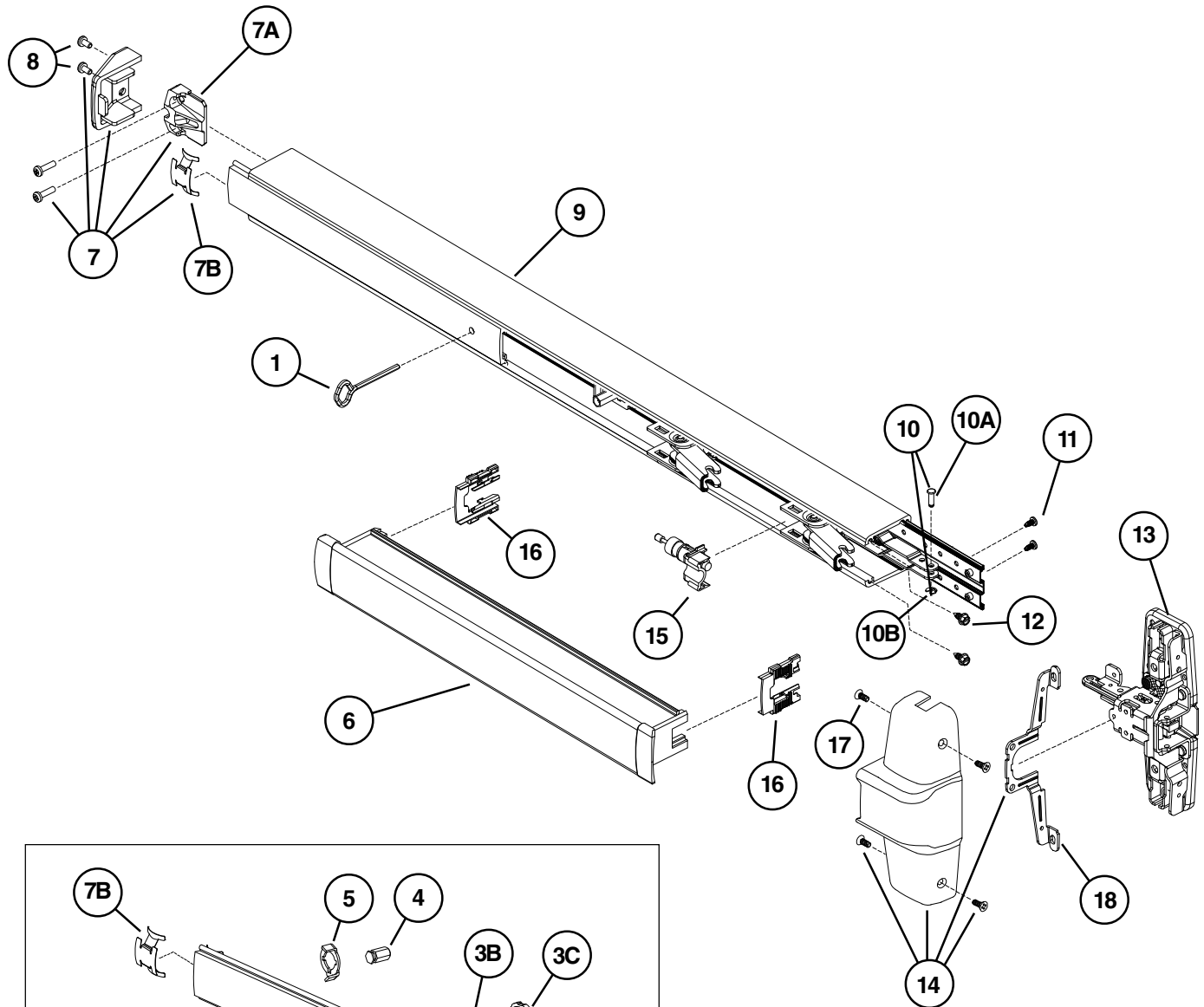
### STANDARD STRIKES



### OPTIONAL STRIKES



# 98/9927 PANIC DEVICE





## 98/9927 PANIC DEVICE

| Item No. | Quantity | Part No. | Description                                  | Finish |
|----------|----------|----------|--|--------|
|          | 1        | 900563   | 98/9927 Series Mounting Pkg. (1-3/4)         |        |
|          | 1        | 900568   | 98/9927 Series Mounting Pkg. (2-1/4)         |        |
| 1        | 1        | 090085   | 227 Dog Key 5/32" Hex (Pkg of 10)            |        |
| 1        | 1        | 090005   | 227 Dog Key 5/32" Hex (Pkg of 2)             |        |
| 2        | 1        | 090040   | Hex Dog Shaft (Pkg of 2)                     |        |
| 3        | 1        | 107813   | Cylinder Mounting Pkg                        | X      |
| 3A       | 1        | 050525   | Cylinder Collar                              | X      |
| 3B       | 1        | 050490   | Cylinder Locating Washer - CD/SS             |        |
| 3C       | 1        | 050526   | Cylinder Locknut                             |        |
| 4        | 1        | 090046   | CD Dogging Plug (Pkg of 2)                   |        |
| 5        | 1        | 090045   | CD Actuator Arm (Pkg of 2)                   |        |
| 6        | 1        | *PBKIT   | 98/99 Series Push Bar Retrofit Kit - 3' Door | X      |
| 6        | 1        | *PBKIT   | 98/99 Series Push Bar Retrofit Kit - 4' Door | X      |
| 7        | 1        | 050014   | 98/99 Series End Cap Kit                     | X      |
| 7A       | 1        | 050524   | Impact Resistant End Cap Bracket             |        |
| 7B       | 1        | 090036   | Cover Plate Anti-rattle Spring (Pkg of 10)   |        |
| 8        | 1        | 900597   | Device End Cap and C/Case Screw Pkg.         | X      |
| 9        | 1        | 968144   | 99 Series Mechanism Case - 3' Door           | X      |
| 9        | 1        | 968146   | 99 Series Mechanism Case - 4' Door           | X      |
| 9        | 2        | 970191   | 98 Series Mechanism Case - 3' Door           | X      |
| 9        | 1        | 970192   | 98 Series Mechanism Case - 4' Door           | X      |
| 10       | 1        | 050529   | 98/99 Series Control Link Pin & Ret. Ring    |        |
| 10A      | 1        | 090031   | 98/99 Series Control Link Pin (Pkg of 10)    |        |
| 10B      | 1        | 090107   | Retaining Ring (Pkg of 10)                   |        |
| 11       | 2        | 090037   | #8-32 x 3/8" Baseplate Screw (Pkg of 10)     |        |
| 12       | 2        | 090073   | Mechanism Case Bracket Screw (Pkg of 10)     |        |
| 13***    | 1        | 050021   | 98/9927/-F Center Case Kit Less Cover        |        |
| 14**     | 1        | 050072   | 98/9927/-F Center Case Cover Kit             | X      |
| 15       | 1        | 050491   | Shock Absorber & Holder Assembly             |        |
| 16       | 2        | 090049   | Push Bar Guide (Pkg of 10)                   |        |
| 17       | 4        | 900892   | Center Case Cover Screws (Pkg of 4)          | X      |
| 18       | 1        | 050564   | Center Case Cover Bracket                    |        |

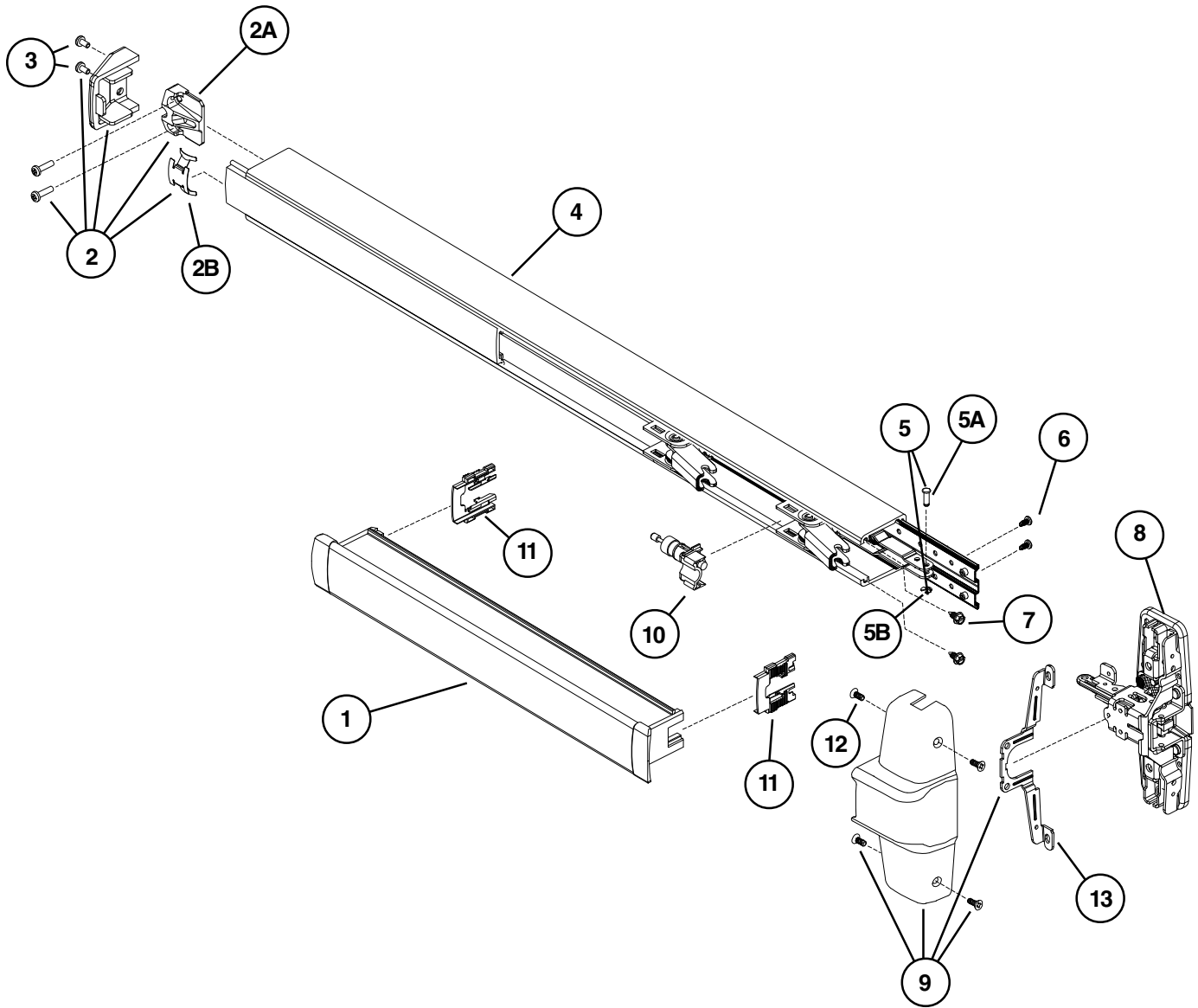
X in "Finish" column designates finished items; finish must be specified when ordering.

\* To order, specify device type, size, and finish. Example: PBKIT 98 3' US28.

\*\*Includes parts for three piece cover conversion.

\*\*\*Center case assembly parts shown on page 11.

# 98/9927-F FIRE DEVICE



Fire Cover Plate Kit  
99 Series - 050589  
98 Series - 050588

## 98/9927-F FIRE DEVICE

| Item No. | Quantity | Part No. | Description                                  | Finish |
|----------|----------|----------|--|--------|
|          | 1        | 900563   | 98/9927 Series Mounting Pkg. (1-3/4)         |        |
|          | 1        | 900568   | 98/9927 Series Mounting Pkg. (2-1/4)         |        |
| 1        | 1        | *PBKIT   | 98/99 Series Push Bar Retrofit Kit - 3' Door | X      |
| 1        | 1        | *PBKIT   | 98/99 Series Push Bar Retrofit Kit - 4' Door | X      |
| 2        | 1        | 050014   | 98/99 Series End Cap Kit                     | X      |
| 2A       | 1        | 050524   | Impact Resistant End Cap Bracket             |        |
| 2B       | 1        | 090036   | Cover Plate Anti-rattle Spring (Pkg of 10)   |        |
| 3        | 1        | 900597   | Device End Cap and C/Case Screw Pkg.         | X      |
| 4        | 1        | 968144   | 99 Series Mechanism Case - 3' Door           | X      |
| 4        | 1        | 968146   | 99 Series Mechanism Case - 4' Door           | X      |
| 4        | 1        | 970191   | 98 Series Mechanism Case - 3' Door           | X      |
| 4        | 1        | 970192   | 98 Series Mechanism Case - 4' Door           | X      |
| 5        | 1        | 050529   | 98/99 Series Control Link Pin & Ret. Ring    |        |
| 5A       | 1        | 090031   | 98/99 Series Control Link Pin (Pkg of 10)    |        |
| 5B       | 1        | 090107   | Retaining Ring (Pkg of 10)                   |        |
| 6        | 2        | 090037   | #8-32 x 3/8" Baseplate Screw (Pkg of 10)     |        |
| 7        | 2        | 090073   | Mechanism Case Bracket Screw (Pkg of 10)     |        |
| 8***     | 1        | 050021   | 98/9927/-F Center Case Kit Less Cover        |        |
| 9**      | 1        | 050072   | 98/9927/-F Center Case Cover Kit             | X      |
| 10       | 1        | 050491   | Shock Absorber & Holder Assembly             |        |
| 11       | 2        | 090049   | Push Bar Guide (Pkg of 10)                   |        |
| 12       | 4        | 900892   | Center Case Cover Screws (Pkg of 4)          | X      |
| 13       | 1        | 050564   | Center Case Cover Bracket                    |        |

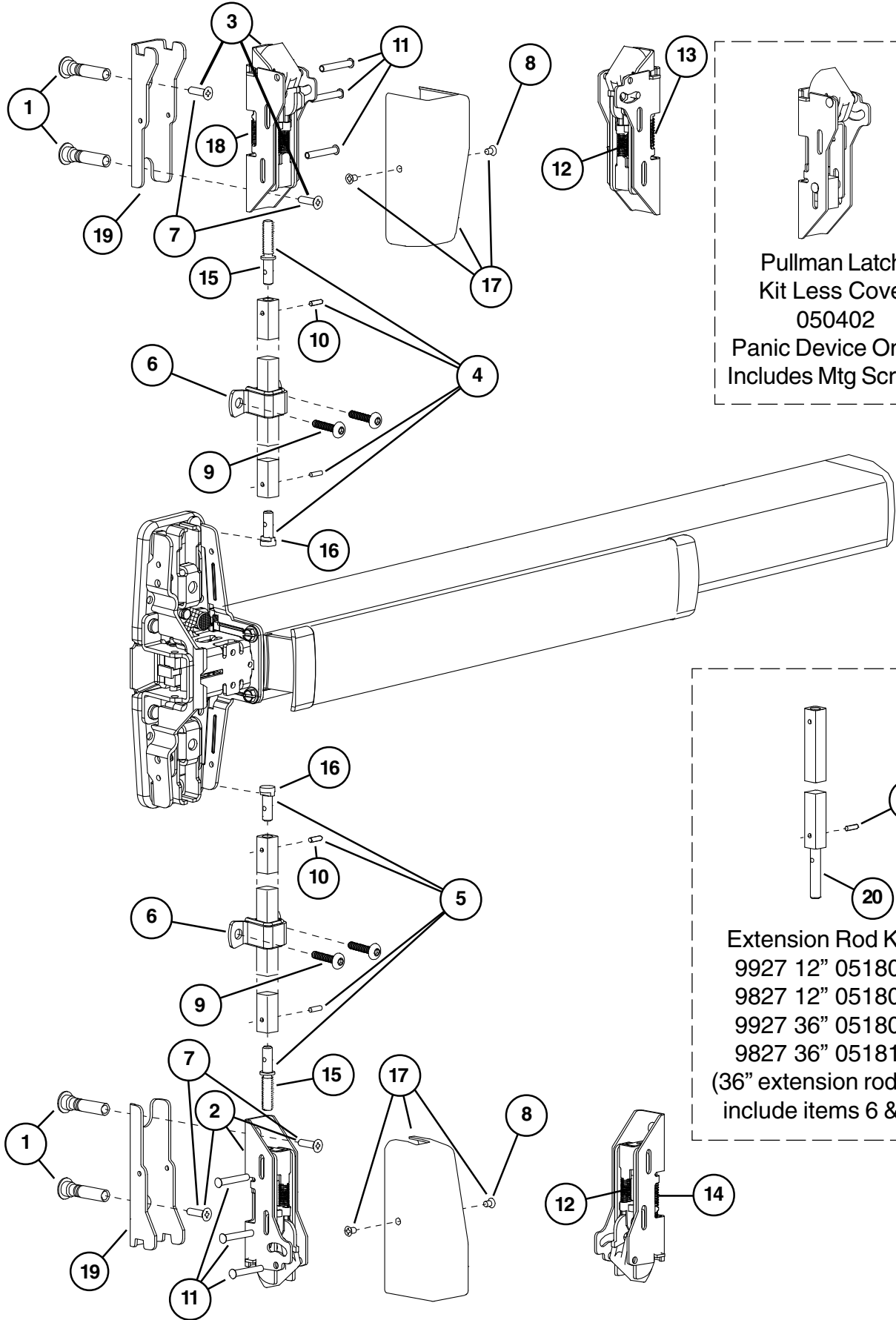
X in "Finish" column designates finished items; finish must be specified when ordering.

\* To order, specify device type, size, and finish. Example: PBKIT 98 3' US28.

\*\*Includes parts for three piece cover conversion.

\*\*\*Center case assembly parts shown on page 11.

# 98/9927 VERTICAL RODS AND LATCHES



Pullman Latch  
 Kit Less Cover  
 050402  
 Panic Device Only -  
 Includes Mtg Screws

Extension Rod Kits  
 9927 12" 051801  
 9827 12" 051809  
 9927 36" 051802  
 9827 36" 051810  
 (36" extension rod kits  
 include items 6 & 9)

## 98/9927 VERTICAL RODS AND LATCHES

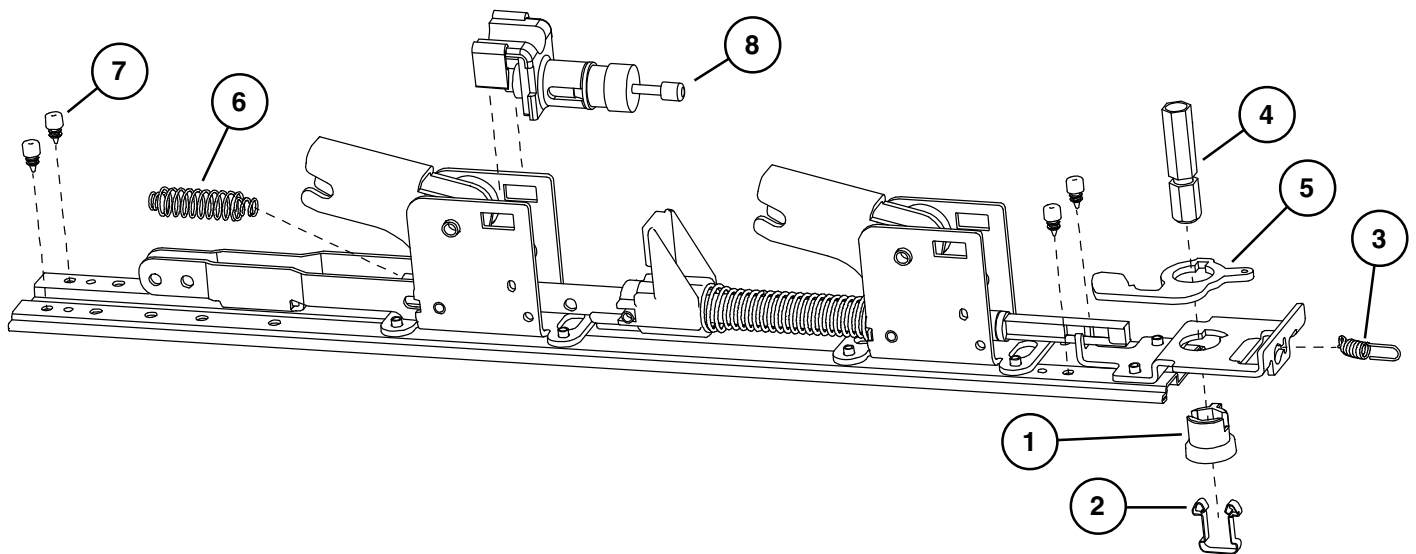
| Item No. | Quantity | Part No. | Description                                | Finish |
|----------|----------|----------|--|--------|
| 1        | 2        | 034902   | 325 Sex Bolt Package (Pkg of 2)            | X      |
| 2        | 1        | 050401   | 98/9927 Bottom Latch Kit Less Cover        |        |
| 3        | 1        | 050400   | 98/9927 Top Latch Kit Less Cover           |        |
| 4        | 1        | 050512   | 9927 Top Rod Kit                           | X      |
| 4        | 1        | 050513   | 9827 Top Rod Kit                           | X      |
| 5        | 1        | 050514   | 9927 Bottom Rod Kit                        | X      |
| 5        | 1        | 050515   | 9827 Bottom Rod Kit                        | X      |
| 6        | 2        | 112063   | 98/9927 Rod Guide Pkg                      | X      |
| 7        | 1        | 900589   | Latch Mounting Package (Pkg of 4)          |        |
| 8        | 2        | 900850   | Latch Case Cover Screw (Pkg of 2)          | X      |
| 9        | 2        | 900919   | 98/9927 Rod Guide Mounting Package         |        |
| 10       | 4        | 090054   | Rod Roll Pin (Pkg of 10)                   |        |
| 11       | 6        | 090055   | Housing Guide Pin (Pkg of 10)              |        |
| 12       | 2        | 090065   | Bolt Return Spring (Pkg of 10)             |        |
| 13       | 1        | 090056   | Top Latch Compression Spring (Pkg of 10)   |        |
| 13       | 1        | 090057   | PL Top Latch Spring (Pkg of 10)            |        |
| 14       | 1        | 090058   | Bottom Latch Case Spring (Pkg of 10)       |        |
| 15       | 2        | 090067   | Rod Connector - Latch (Pkg of 2)           |        |
| 16       | 2        | 090068   | Rod Connector - Center Case (Pkg of 2)     |        |
| 17       | 1        | 050566   | 98/9927/27-F Latch Case Cover Kit          | X      |
| 18       | 1        | 090076   | Aux. Bolt Spring (Pkg of 10)               |        |
| 19       | 2        | 050546   | Latch Case Mtg. Bracket Kit                |        |
| 20       | 1        | 090075   | 98/9927 Rod Extension Connector (Pkg of 4) |        |
| *        | 1        | 050090   | 98/9927 Bottom Latch Retrofit Kit          | X      |
| *        | 1        | 050091   | 98/9927 Top Latch Retrofit Kit             | X      |

X in "Finish" column designates finished items; finish must be specified when ordering.

\* For devices shipped before October 1998.

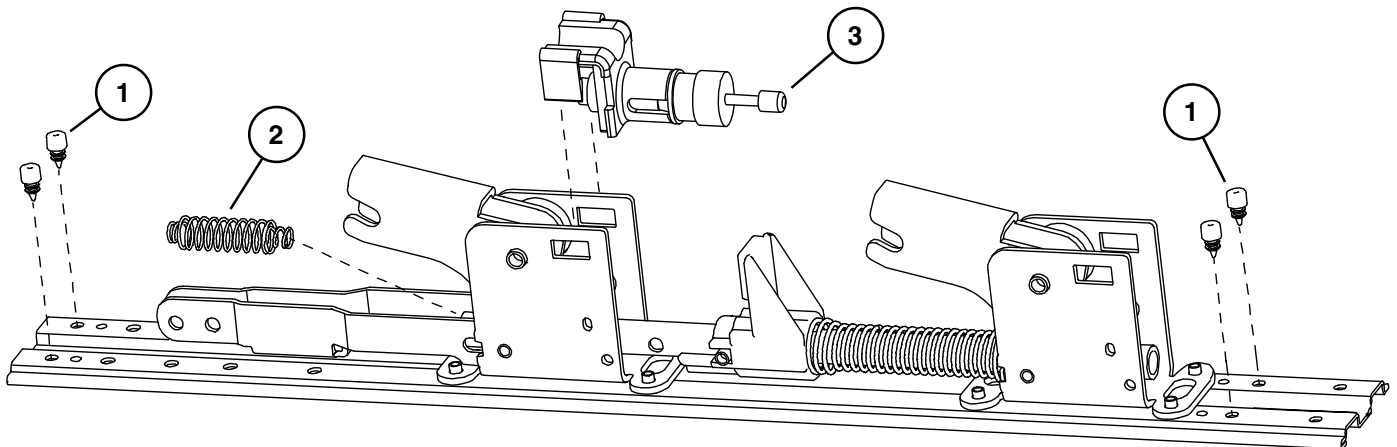
## 98/9927 PANIC DEVICE BASEPLATE ASSEMBLY

| Item No. | Quantity | Part No. | Description                       | Finish |
|----------|----------|----------|-----------------------------------|--------|
| 1        | 1        | 090043   | Dogging adapter (Pkg of 2)        |        |
| 2        | 1        | 090042   | Dogging adapter spring (Pkg of 2) |        |
| 3        | 1        | 090041   | Dogging spring (Pkg of 2)         |        |
| 4        | 1        | 090040   | Hex dogging shaft (Pkg of 2)      |        |
| 5        | 1        | 090044   | Dogging hook (Pkg of 2)           |        |
| 6        | 1        | 090039   | Latch return spring (Pkg of 10)   |        |
| 7        | 4        | 090038   | Rubber bumper (Pkg of 4)          |        |
| 8        | 1        | 050491   | Shock absorber                    |        |



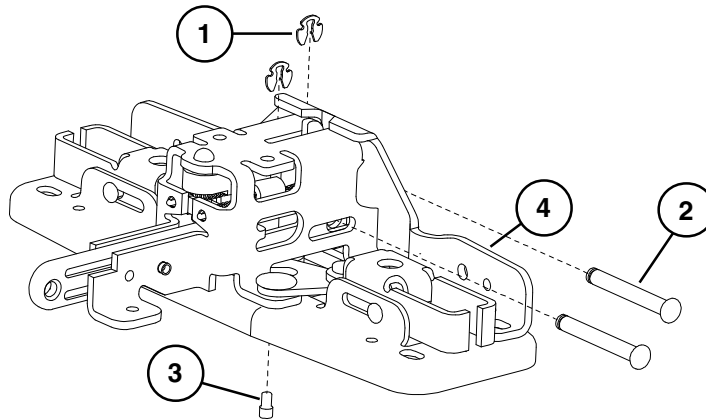
## 98/9927-F FIRE DEVICE BASEPLATE ASSEMBLY

| Item No. | Quantity | Part No. | Description                     | Finish |
|----------|----------|----------|---------------------------------|--------|
| 1        | 4        | 090038   | Rubber bumper (Pkg of 4)        |        |
| 2        | 1        | 090039   | Latch return spring (Pkg of 10) |        |
| 3        | 1        | 050491   | Shock absorber                  |        |



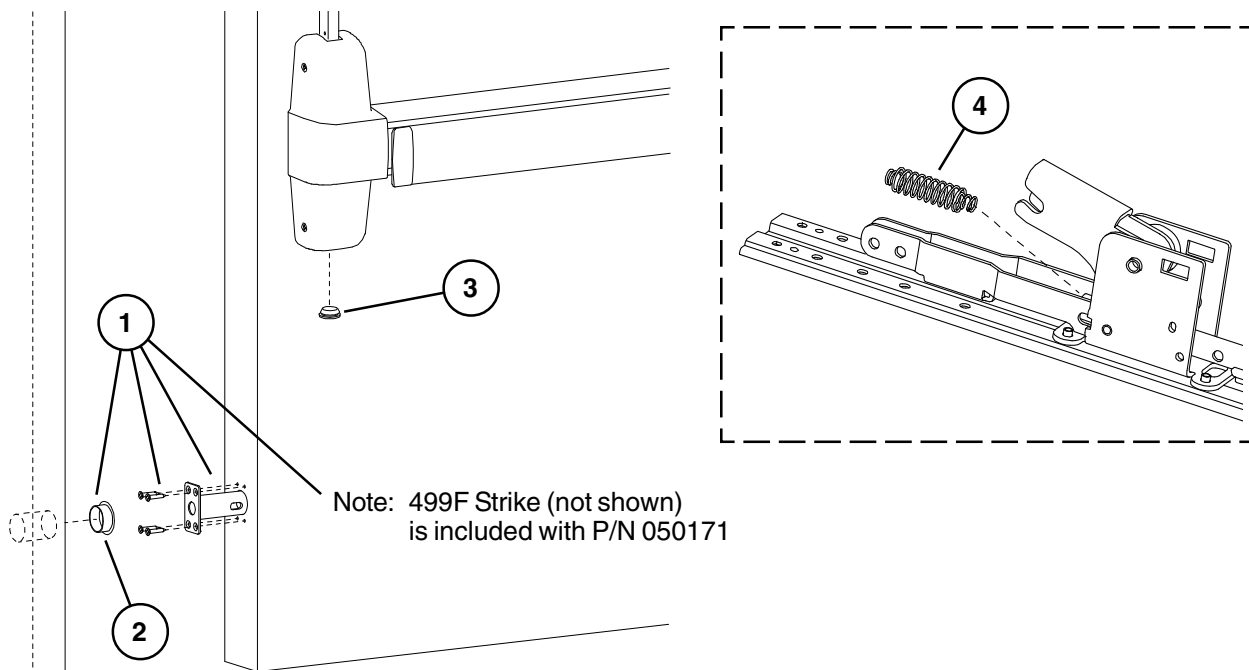
## 98/9927 DEVICE CENTER CASE ASSEMBLY

| Item No. | Quantity | Part No. | Description                     | Finish |
|----------|----------|----------|---------------------------------|--------|
| 1        | 2        | 090107   | Retaining Ring (Pkg of 10)      |        |
| 2        | 2        | 090079   | Latch Bolt Pin (Pkg of 10)      |        |
| 3        | 1        | 090074   | NL Drive Screw (Pkg of 10)      |        |
| 4        | 1        | 050565   | Center Case Reinforcing Bracket |        |



## 98/9927-F LBR (LESS BOTTOM ROD) FIRE LATCH KIT

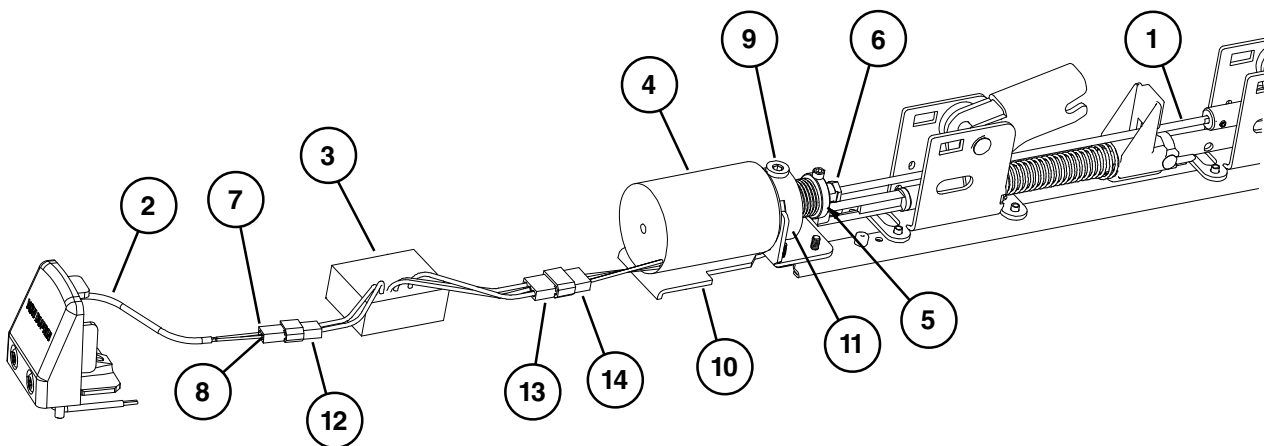
| Item No. | Quantity | Part No. | Description                          | Finish |
|----------|----------|----------|--------------------------------------|--------|
| 1        | 1        | 050171   | LBR Fire Latch/Strike kit            |        |
| 2        | 1        | 050509   | LBR Fire Strike Plug                 |        |
| 3        | 1        | 113334   | LBR Center Case Hole Plug            |        |
| 4        | 1        | 090088   | 98/9927-F LBR Latch Spring Pkg of 10 |        |
| 5        | 1        | 900980   | 98/9927-F LBR Latch Mounting Package |        |



## HD-EL9827/HD-EL9927 HEX DOGGING/ELECTRIC LATCH RETRACTION OPTION - PANIC DEVICE ONLY

| Item No. | Quantity | Part No. | Description                          | Finish |
|----------|----------|----------|--------------------------------------|--------|
| 1        | 1        | 050531   | EL Dogging Rod Kit - 3' Device       |        |
| 1        | 1        | 050532   | EL Dogging Rod Kit - 4' Device       |        |
| 2        | 1        | 110388   | EL 6' Cable and Connector            |        |
| 3        | 1        | 050534   | EL Potted Circuit Breaker            |        |
| 4        | 1        | 050536   | HD-EL Solenoid                       |        |
| 5        | 1        | 050537   | HD-EL Solenoid Plunger               |        |
| 6        | 1        | 050538   | EL Dogging Rod Retainer              |        |
| 7        | 1        | 050539   | EL Receptacle Connector - 2 Position |        |
| 8        | 2        | 050540   | EL Female Terminal                   |        |
| 9        | 1        | 050541   | HD-EL Dog Screw                      |        |
| 10       | 1        | 050542   | HD-EL Solenoid Bracket               |        |
| 11       | 1        | 050543   | HD-EL Dogging Spring                 |        |
| 12       | 1        | 990599   | EL Plug Connector - 2 Position       |        |
| 13       | 1        | 990857   | EL Receptacle Connector - 3 Position |        |
| 14       | 1        | 990858   | EL Plug Connector - 3 Position       |        |
| *        | 1        | 050384   | HD-EL Conversion Kit - 3'            |        |
| *        | 1        | 050385   | HD-EL Conversion Kit - 4'            |        |

\*Kit includes items 1-11 plus new control link, retaining ring, and baseplate screws.

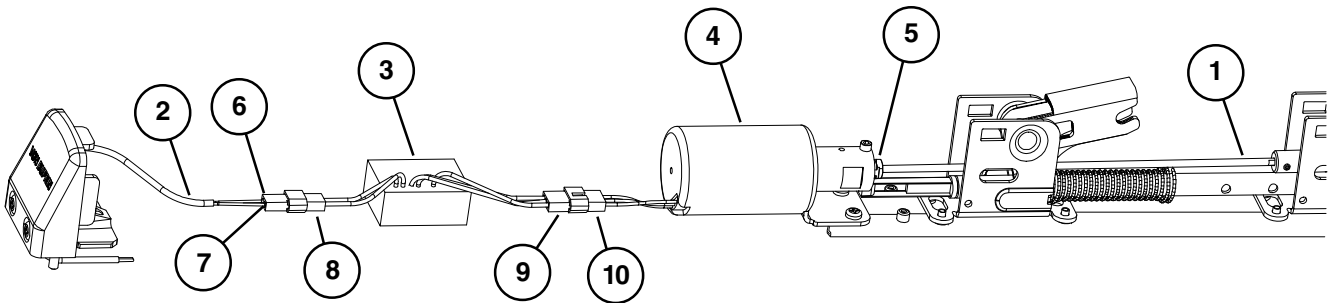




## EL9827/EL9927 SERIES ELECTRIC LATCH RETRACTION OPTION

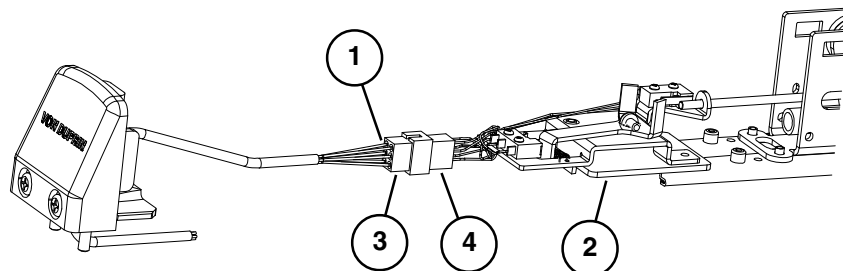
| Item No. | Quantity | Part No. | Description                          | Finish |
|----------|----------|----------|--------------------------------------|--------|
| 1        | 1        | 050531   | EL Dogging Rod Kit - 3' device       |        |
| 1        | 1        | 050532   | EL Dogging Rod Kit - 4' device       |        |
| 2        | 1        | 110388   | EL 6' Cable and Connector            |        |
| 3        | 1        | 050534   | EL Potted Circuit Breaker            |        |
| 4        | 1        | 050535   | EL Solenoid Assembly                 |        |
| 5        | 1        | 050538   | EL Dogging Rod Retainer              |        |
| 6        | 1        | 050539   | EL Receptacle Connector              |        |
| 7        | 2        | 050540   | EL Female Terminal                   |        |
| 8        | 1        | 990599   | EL Plug Connector - 2 Position       |        |
| 9        | 1        | 990857   | EL Receptacle Connector - 3 Position |        |
| 10       | 1        | 990858   | EL Plug Connector - 3 Position       |        |
| *        | 1        | 050070   | EL Conversion Kit - 3'               |        |
| *        | 1        | 050078   | EL Conversion Kit - 4'               |        |

\*Kit includes items 1-7 plus new control link pin, retaining ring, and baseplate screws.

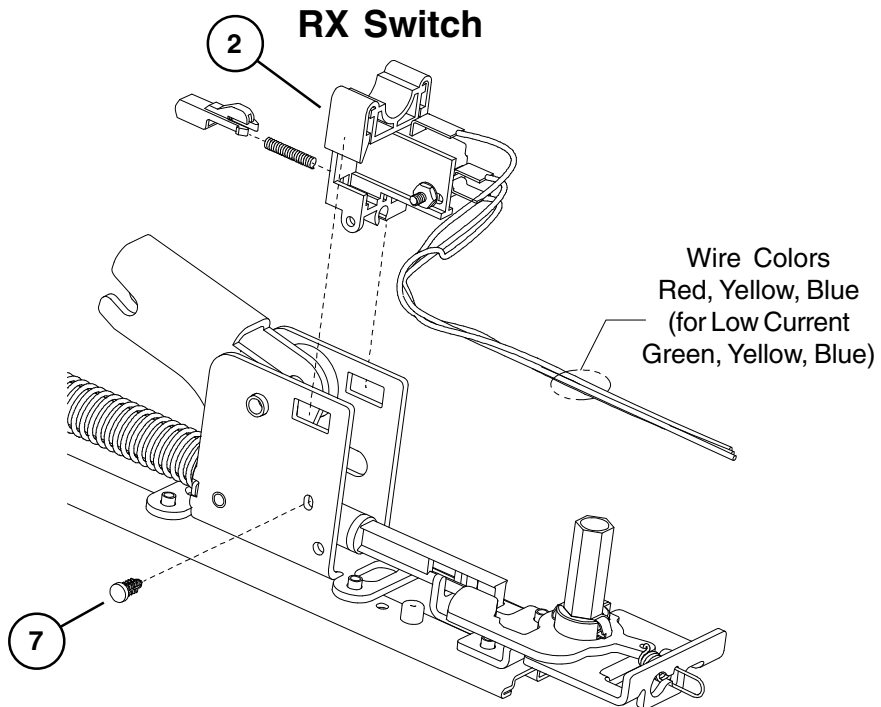
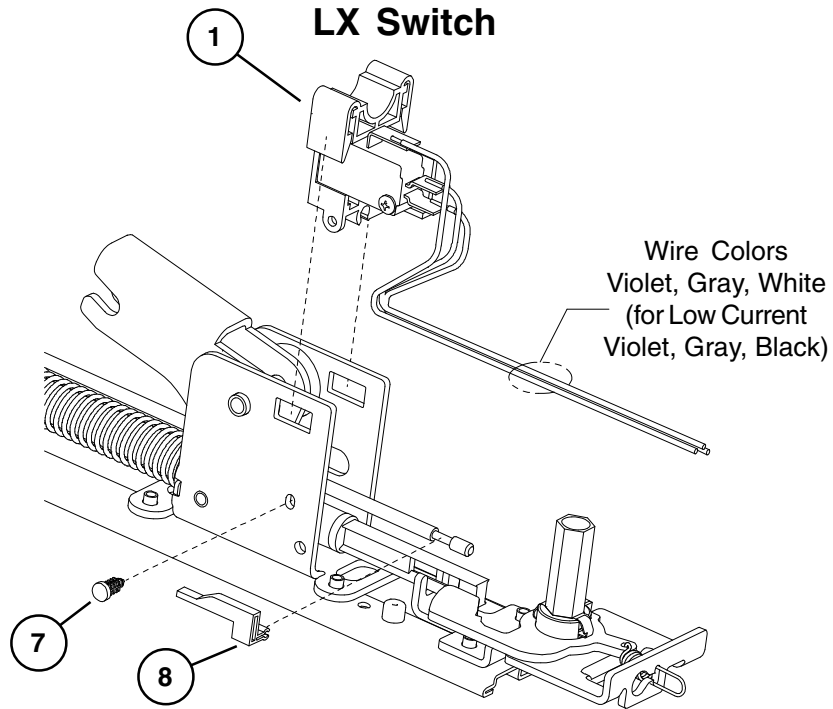


## SS9827/SS9927 SERIES (SIGNAL SWITCH) OPTION

| Item No. | Quantity | Part No. | Description                          | Finish |
|----------|----------|----------|--------------------------------------|--------|
| 1        | 1        | 050544   | SS Cable                             |        |
| 2        | 1        | 050545   | SS Housing                           |        |
| 3        | 1        | 990601   | SS Plug Connector - 6 Position       |        |
| 4        | 1        | 990602   | SS Receptacle Connector - 6 Position |        |

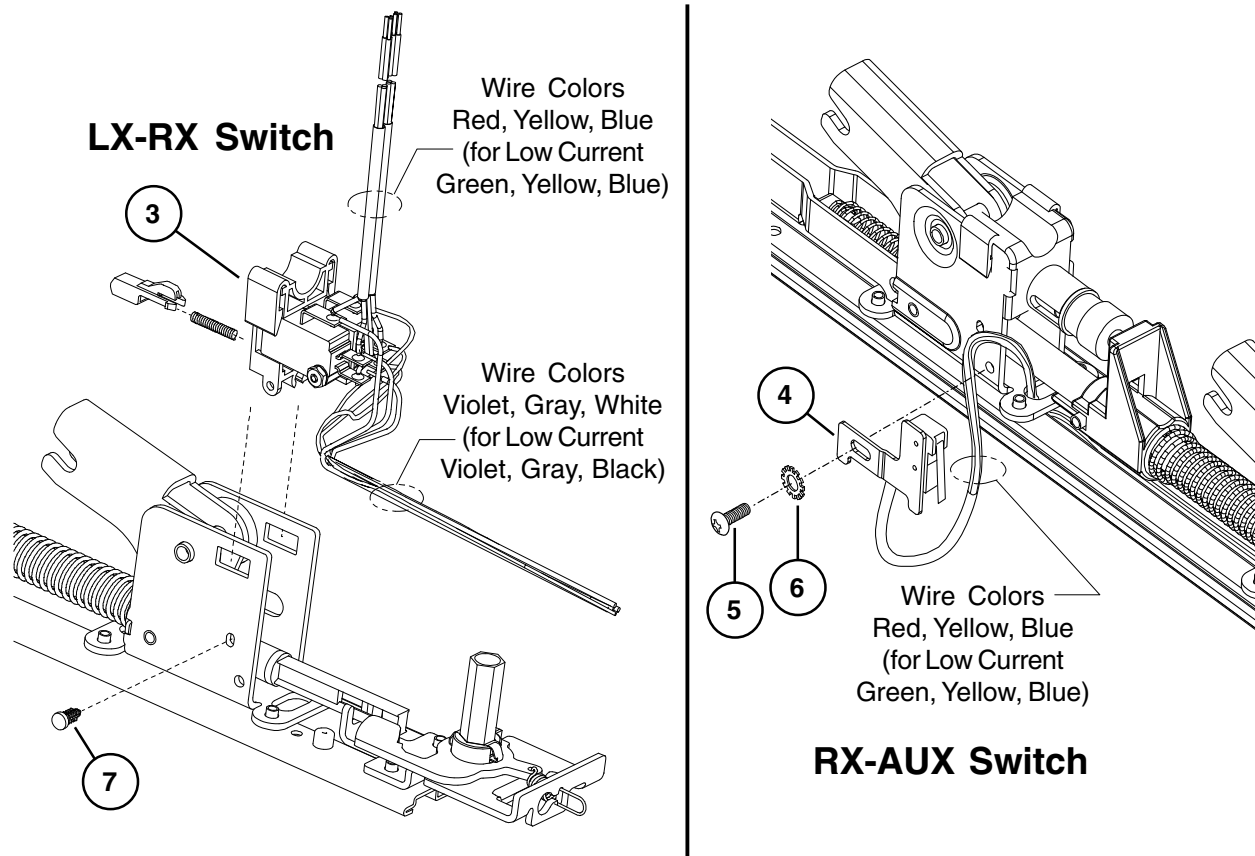


# 98/9927 SERIES LX (LATCH BOLT MONITOR) & RX (REQUEST TO EXIT) OPTIONS



## 98/9927 SERIES LX (LATCH BOLT MONITOR) & RX (REQUEST TO EXIT) OPTIONS

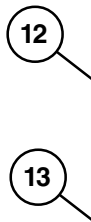
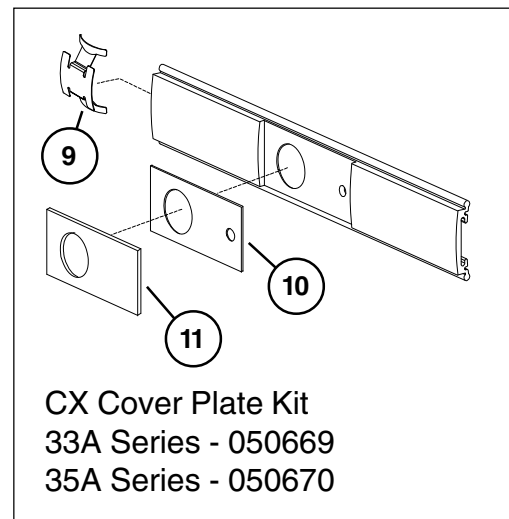
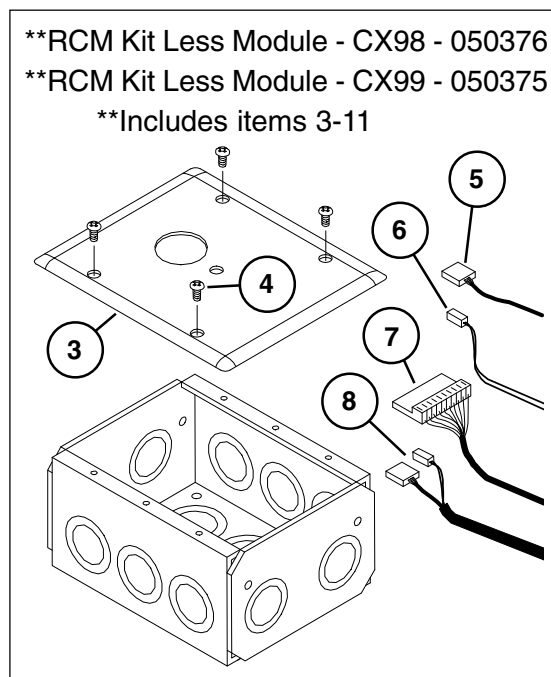
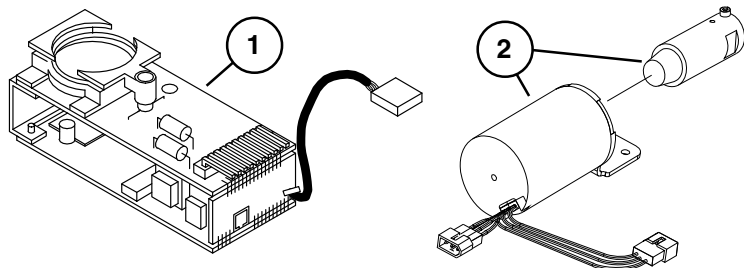
| Item No. | Quantity | Part No. | Description                              | Finish |
|----------|----------|----------|--|--------|
| 1        | 1        | 050254   | LX Switch Kit 3' Device                  |        |
| 1        | 1        | 050255   | LX Switch Kit 4' Device                  |        |
| 1        | 1        | 050247   | LX-EL Switch Kit                         |        |
| 1        | 1        | 050283   | LX-LC (Low Current) Switch Kit 3' Device |        |
| 1        | 1        | 050285   | LX-LC (Low Current) Switch Kit 4' Device |        |
| 1        | 1        | 050287   | LX-LC-EL (Low Current) Switch Kit        |        |
| 2        | 1        | 050251   | RX Switch Kit                            |        |
| 2        | 1        | 050281   | RX-LC (Low Current) Switch Kit           |        |
| 3        | 1        | 050256   | LX-RX Switch Kit 3' Device               |        |
| 3        | 1        | 050257   | LX-RX Switch Kit 4' Device               |        |
| 3        | 1        | 050259   | LX-RX-EL Switch Kit                      |        |
| 3        | 1        | 050289   | LX-RX-LC (Low Current) Sw. Kit 3' Device |        |
| 3        | 1        | 050291   | LX-RX-LC (Low Current) Sw. Kit 4' Device |        |
| 3        | 1        | 050293   | LX-RX-LC-EL (Low Current) Switch Kit     |        |
| 2 & 4    | 1        | 050270   | RX-2 Switch Kit                          |        |
| 4        | 1        | 050271   | RX-AUX Switch Kit                        |        |
| 5        | 1        | 964558   | 8-32 x 5/16" PPHMS                       |        |
| 6        | 1        | 964019   | #8 Washer                                |        |
| 7        | 1        | 090099   | Pine Tree Clip (Pkg of 10)               |        |
| 8        | 1        | 971091   | LX Actuator                              |        |



## CX98/9927 SERIES CHEXIT AND CX-RCM OPTION

| Item No. | Quantity | Part No. | Description                                | Finish |
|----------|----------|----------|--|--------|
| 1        | 1        | 050228   | Chexit PCB Kit - 15 Second Release         |        |
| 1*       | 1        | 050700   | Chexit PCB Kit - 30 Second Release         |        |
| 1        | 1        | 050701   | Chexit PCB Kit - 0 Second Release          |        |
| 1        | 1        | 050702   | Chexit PCB Kit - Boca 15 Second Release    |        |
| 1*       | 1        | 050703   | Chexit PCB Kit - Boca 30 Second Release    |        |
| 2        | 1        | 050533   | CX Solenoid and Plunger                    |        |
| 3        | 1        | 113111   | Faceplate and Adapter                      | X      |
| 4        | 4        | 963898   | 6-32 x 3/8" OPHMS Faceplate Screws         | X      |
| 5        | 1        | 991338   | RCM 3 Wire RX Cable                        |        |
| 6        | 1        | 991339   | RCM 2 Wire Solenoid Cable                  |        |
| 7        | 1        | 112018   | Chexit Wiring Assembly                     |        |
| 8        | 1        | 991336   | CX-RCM Cable Assy - 5 Wire                 |        |
| 9        | 1        | 090036   | Cover Plate Anti-rattle Spring (Pkg of 10) |        |
| 10       | 1        | 970513   | LED Cover Mask - Chexit                    |        |
| 11       | 1        | 970519   | LED Cover - Chexit                         |        |
| 12       | 1        | 113781   | Sign 15 Second - Chexit                    |        |
| 13       | 1        | 113782   | Sign 30 Second - Chexit                    |        |

**\*Over 15 seconds delay requires a letter of approval from authority having local jurisdiction.  
Fax letter in with sales order. The order cannot be processed without the letter.**



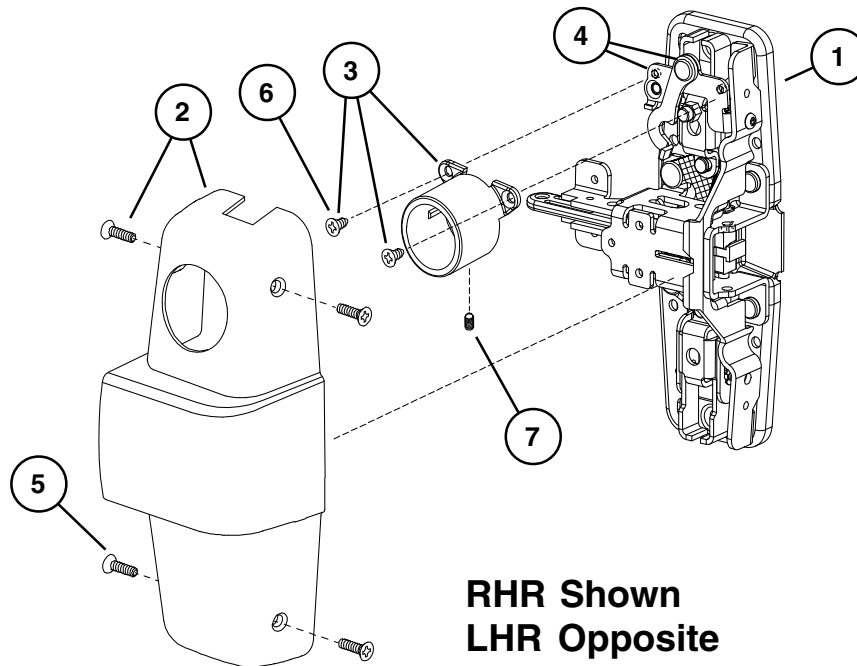
**PUSH UNTIL ALARM SOUNDS  
DOOR CAN BE OPENED IN 15 SECONDS**

**PUSH UNTIL ALARM SOUNDS  
DOOR CAN BE OPENED IN 30 SECONDS**

## CX-CD/SD98/9927 SERIES OPTION

| Item No. | Quantity | Part No.     | Description                            | Finish |
|----------|----------|--------------|--|--------|
| 1*       | 1        | 050550       | SD98/9927 RHR Center Case Kit Less Cvr |        |
| 1*       | 1        | 050551       | SD98/9927 LHR Center Case Kit Less Cvr |        |
| 2        | 1        | 050559       | SD98/9927 RHR Center Case Cover Kit    | X      |
| 2        | 1        | 050560       | SD98/9927 LHR Center Case Cover Kit    | X      |
| 3        | 1        | 112409       | CD-CX/SD Cylinder Dog Housing          |        |
| 4        | 1        | 112455       | CX-CD/SD Cylinder Dog Bracket Kit RHR  |        |
| 4        | 1        | 112456       | CX-CD/SD Cylinder Dog Bracket Kit LHR  |        |
| 5        | 4        | 900892       | Center Case Cover Screws               | X      |
| 6        | 2        | PkgServ.1018 | 8-32 x 1/4" UFPHMS (Pkg of 20)         |        |
| 7        | 1        | 964240       | Bracket Set Screw                      |        |

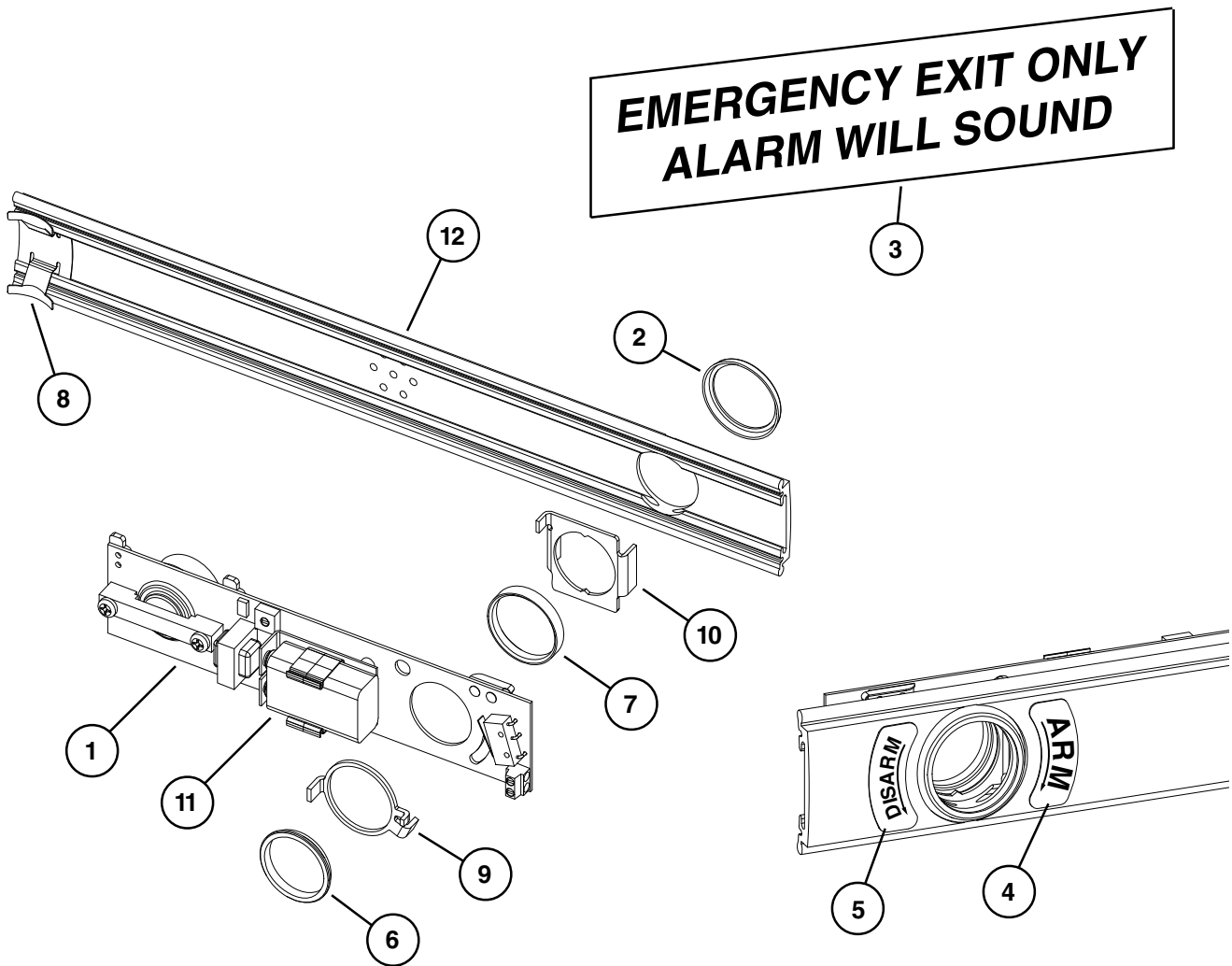
\*Parts shown are for the CX-CD/SD option. For other available center case parts refer to page 11.



# 98/9927 ALK EXIT ALARM KIT

| Item No. | Quantity | Part No. | Description                                | Finish |
|----------|----------|----------|--|--------|
| 1        | 1        | 111795   | ALK PCB Assembly                           |        |
| 2        | 1        | 050525   | Cylinder Collar                            | X      |
| 3        | 1        | 969122   | ALK Alarm Device Sign                      |        |
| 4        | 1        | 969349   | ALK Arming Label                           |        |
| 5        | 1        | 969350   | ALK Disarming Label                        |        |
| 6        | 1        | 969354   | Retainer Nut                               |        |
| 7        | 1        | 970594   | ALK Cylinder Spacer                        |        |
| 8        | 1        | 090036   | Cover Plate Anti-rattle spring (Pkg of 10) |        |
| 9        | 1        | 971556   | ALK Switch Actuator                        |        |
| 10       | 1        | 971557   | ALK Cylinder Bracket                       |        |
| 11       | 1        | 990637   | ALK Battery                                |        |
| 12       | 1        | 050569   | 99A Series ALK Cover Plate Kit             | X      |
| 12       | 1        | 050570   | 98A Series ALK Cover Plate Kit             | X      |

X in "Finish" column designates finished items; finish must be specified when ordering.

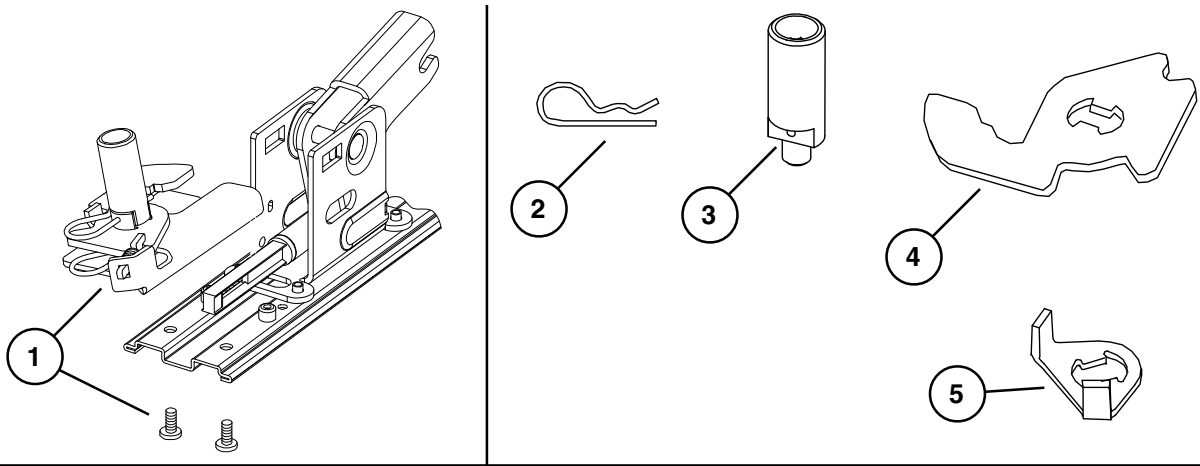


## 98/9927 SERIES SERVICE REPLACEMENT ITEMS

| Item No. | Quantity | Part No. | Description                               | Finish |
|----------|----------|----------|---|--------|
| 1        | 1        | 050153   | Old Style Hex Dogging Replacement Kit     |        |
| 2        | 1        | 963909   | #22 Hitch Pin - Hex/CD Dogging Old Style  |        |
| 3        | 1        | 968112   | Old Style Hex Dog Shaft                   |        |
| 4        | 1        | 969941   | Old Style Dogging Hook                    |        |
| 5        | 1        | 968116   | Old Style CD Actuator Arm                 |        |
| 6        | 1        | 900905   | Old Style End Cap and Bracket Assembly    | X      |
| 7        | 1        | 970548   | Old Style Cover Plate Stop - End Cap      |        |
| 8        | 1        | 900901   | Old Style End Cap Screw Package           | X      |
| 9        | 1        | 971082   | Old Style 98/99 End Cap - Stainless Steel | X      |
| 9        | 1        | 971083   | Old Style 98/99 End Cap - Brass           | X      |
| 9        | 1        | 971084   | Old Style 98/99 End Cap - Bronze          | X      |
| 9        | 1        | 971085   | Old Style 98/99 End Cap - Aluminum        | X      |

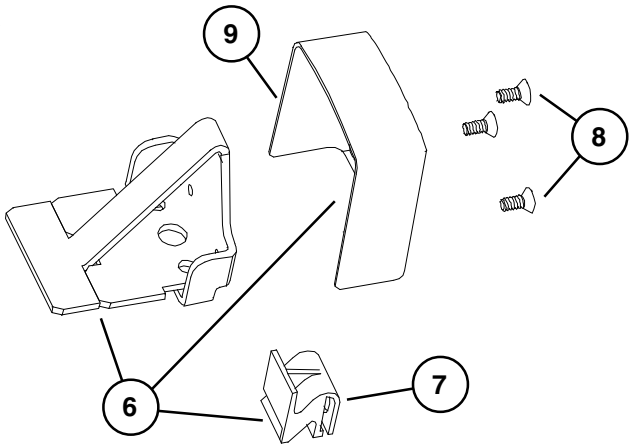
X in "Finish" column designates finished items; finish must be specified when ordering.

### OLD STYLE DOGGING PARTS (FOR DEVICES SHIPPED BEFORE AUGUST 1997)



### OLD STYLE END CAP PARTS (FOR DEVICES SHIPPED BEFORE JANUARY 2002)

**Note:** Newer style end cap kit shown on pages 4-5. Newer style end cap kit can be used on devices manufactured before January 2002, but mechanism case and cover plate on hinge stile must have a square cut and a clean edge.



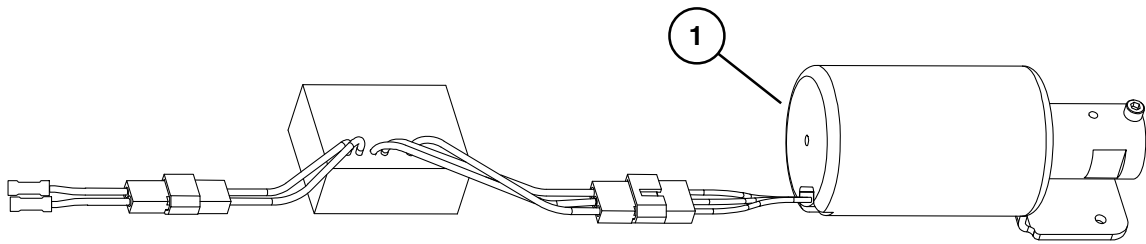
## 98/9927 SERIES SERVICE REPLACEMENT ITEMS

| Item No. | Quantity | Part No. | Description                 | Finish |
|----------|----------|----------|-----------------------------|--------|
| 1        | 1        | 050218   | EL Solenoid Replacement Kit |        |

X in "Finish" column designates finished items; finish must be specified when ordering.

### EL SOLENOID REPLACEMENT KIT (FOR DEVICES SHIPPED BEFORE JANUARY 1987)

**Note:** This kit replaces the old style EL solenoid parts with the new style.



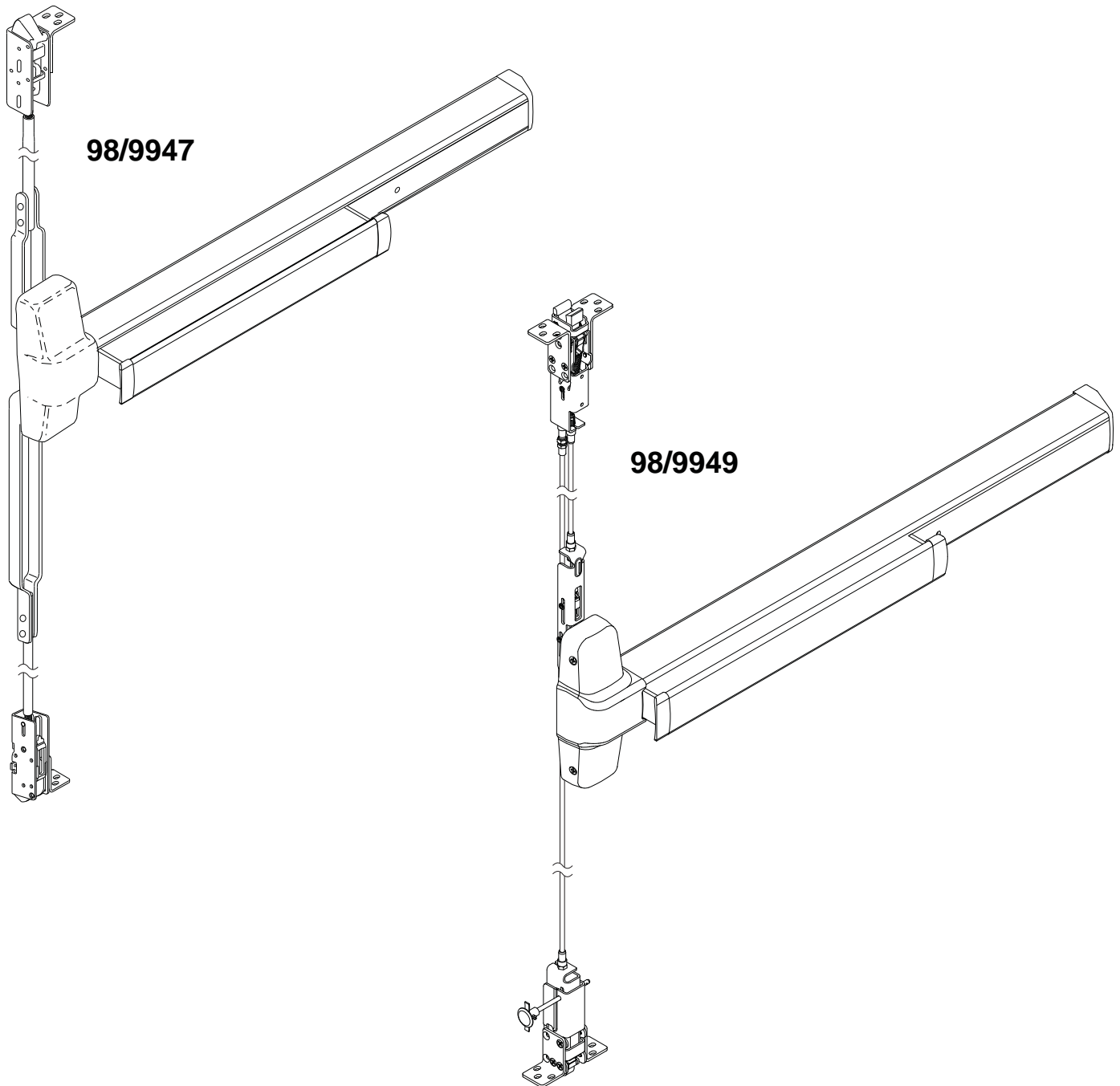


# VON DUPRIN®

## PARTS MANUAL

JUNE 2012

### 98/9947 & 98/9949 SERIES EXIT DEVICES



# INDEX

|   |       |
|---|-------|
| 98/9947 & 98/9949 Devices   |       |
| Basic Device .....  | 4-5   |
| Panic and Fire Metal Door Concealed Vertical Rods and Latches .....   | 6-7   |
| WDC Wood Door Concealed Vertical Rods and Latches .....               | 8-9   |
| Panic and Fire Metal Door Concealed Vertical Cables and Latches ..... | 10-11 |
| WDC Wood Door Concealed Vertical Cables and Latches .....             | 12-13 |
| Cable Assemblies .....  | 14-15 |
| Baseplate Assembly .....  | 16    |
| Center Case Assembly .....  | 17    |
| LBR (Less Bottom Rod) / LBL (Less Bottom Latch) Fire Latch Kit .....  | 17    |
| <br>Variations of the Basic Device                                    |       |
| CD (Cylinder Dogging) .....   | 4-5   |
| HD-EL (Hex Dogging/Electric Latch Retraction) .....                   | 18    |
| EL (Electric Latch Retraction) .....                                  | 19    |
| SS (Signal Switch) .....  | 19    |
| RX (Request to Exit) .....  | 20-21 |
| LX (Latch Bolt Monitoring) .....                                      | 20-21 |
| CX Chexit .....   | 22    |
| CX-CD/SD .....  | 23    |
| ALK Exit Alarm Kit .....  | 24    |
| <br>Service Replacement Items .....                                   | 25-26 |
| <br>General Information   |       |
| Introduction .....  | 2     |
| How to Order .....  | 2     |
| Part Number Changes .....   | 2     |
| Finishes .....  | 3     |
| Outside Trim Functions .....  | 3     |
| Strikes .....   | 3     |

## INTRODUCTION

This manual contains a listing of replaceable parts and assemblies for the 98/9947 Concealed Vertical Rod Exit Devices and the 98/9949 Concealed Vertical Cable Exit Devices. 98 Series and 99 Series devices are almost identical. The 99 Series has a grooved case; the 98 series has a smooth case.

## HOW TO ORDER

Some parts are sold separately. Other items are available as part of a kit or multiple quantity package. For the best possible service when ordering replacement parts or assemblies, please provide the following information:

- Part number or assembly number
- Description
- Quantity Needed
- Finish desired (if available finished)
- Date of original purchase (if known)

To find out the name of your local Von Duprin distributor or sales representative, contact:

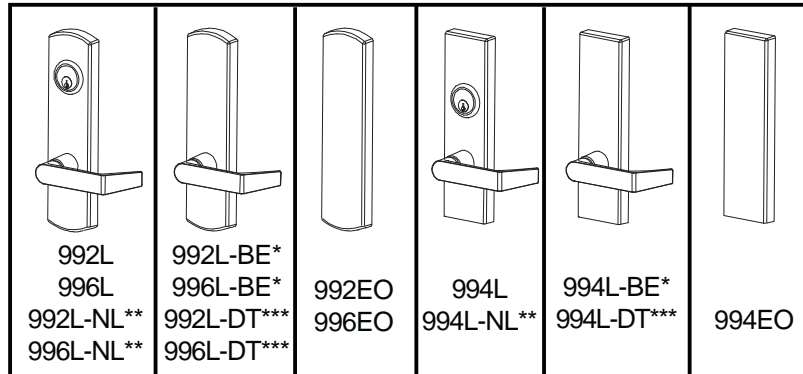
Von Duprin Division  
Ingersoll Rand Company  
2720 Tobey Drive  
Indianapolis, IN 46219  
Phone: 877-671-7011  
Fax: 800-999-0328

## PART NUMBER CHANGES

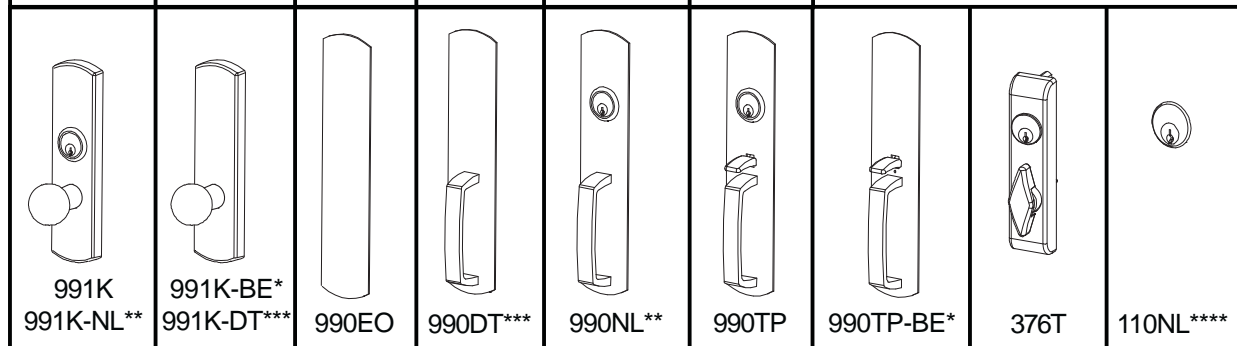
This manual reflects the product as sold in June 2012. Because of changes to the product and/or manufacturing process, part numbers can change.

## 98/99 SERIES FINISHES

### OUTSIDE TRIM FUNCTIONS

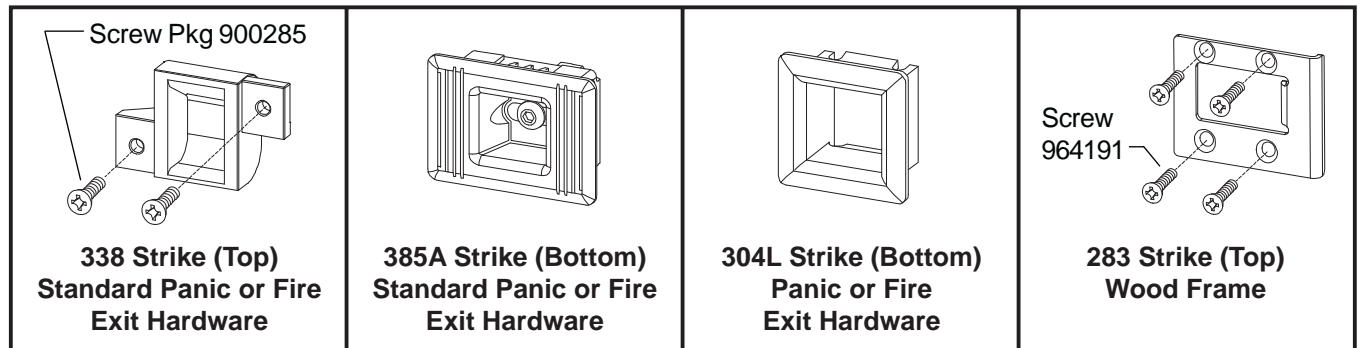


| U.S. Std Reference | BHMA Reference | Description                         |
|--------------------|----------------|-------------------------------------|
| US3                | 605            | Polished Brass                      |
| US4                | 606            | Dull Brass                          |
| US10               | 612            | Dull Bronze                         |
| US15               | 619            | Satin Nickel                        |
| US26               | 625            | Polished Chrome                     |
| US26D              | 626            | Dull Chrome                         |
| US28               | 628            | Anodized Alum. (Clear)              |
| US32D              | 630            | Satin Stainless Steel               |
| 313AN              | 710            | Anodized Alum. (313)<br>Dark Bronze |
| 315AN              | 711            | Anodized Alum. (Black)              |

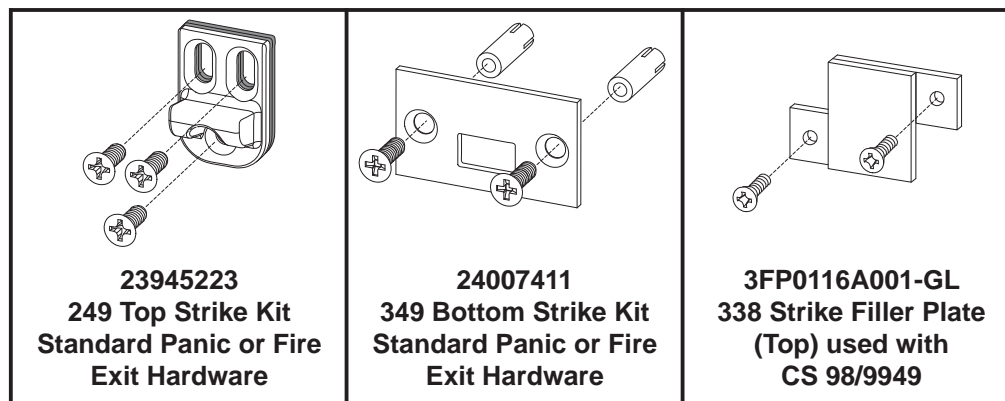


- \* "BE" (Blank Escutcheon) no cylinder used - lever always active
- \*\* "NL" (Night Latch) rigid lever - key retracts latch bolt
- \*\*\* "DT" (Dummy Trim) rigid lever for pull operation
- \*\*\*\* Optional Pull needs to be added

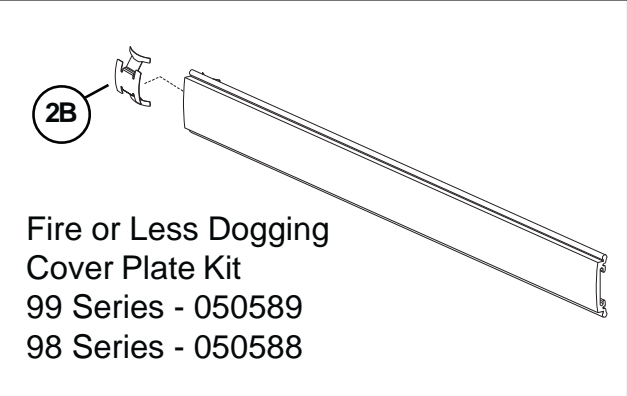
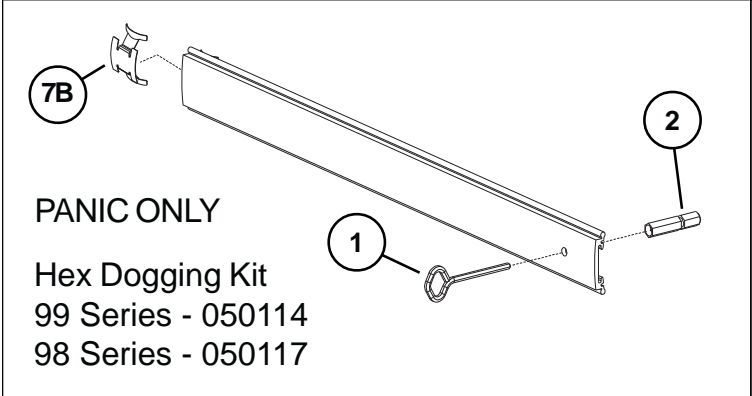
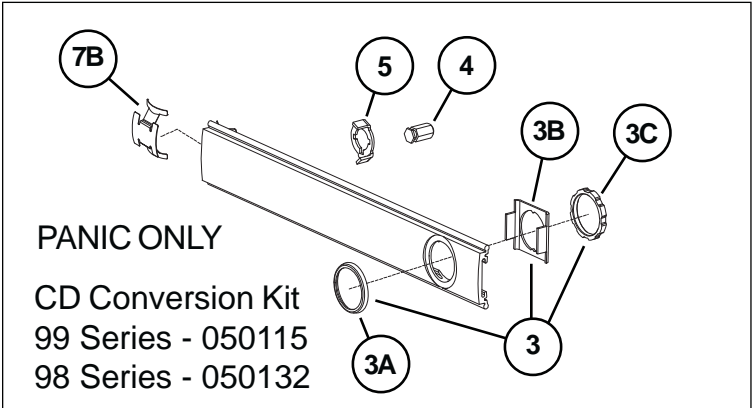
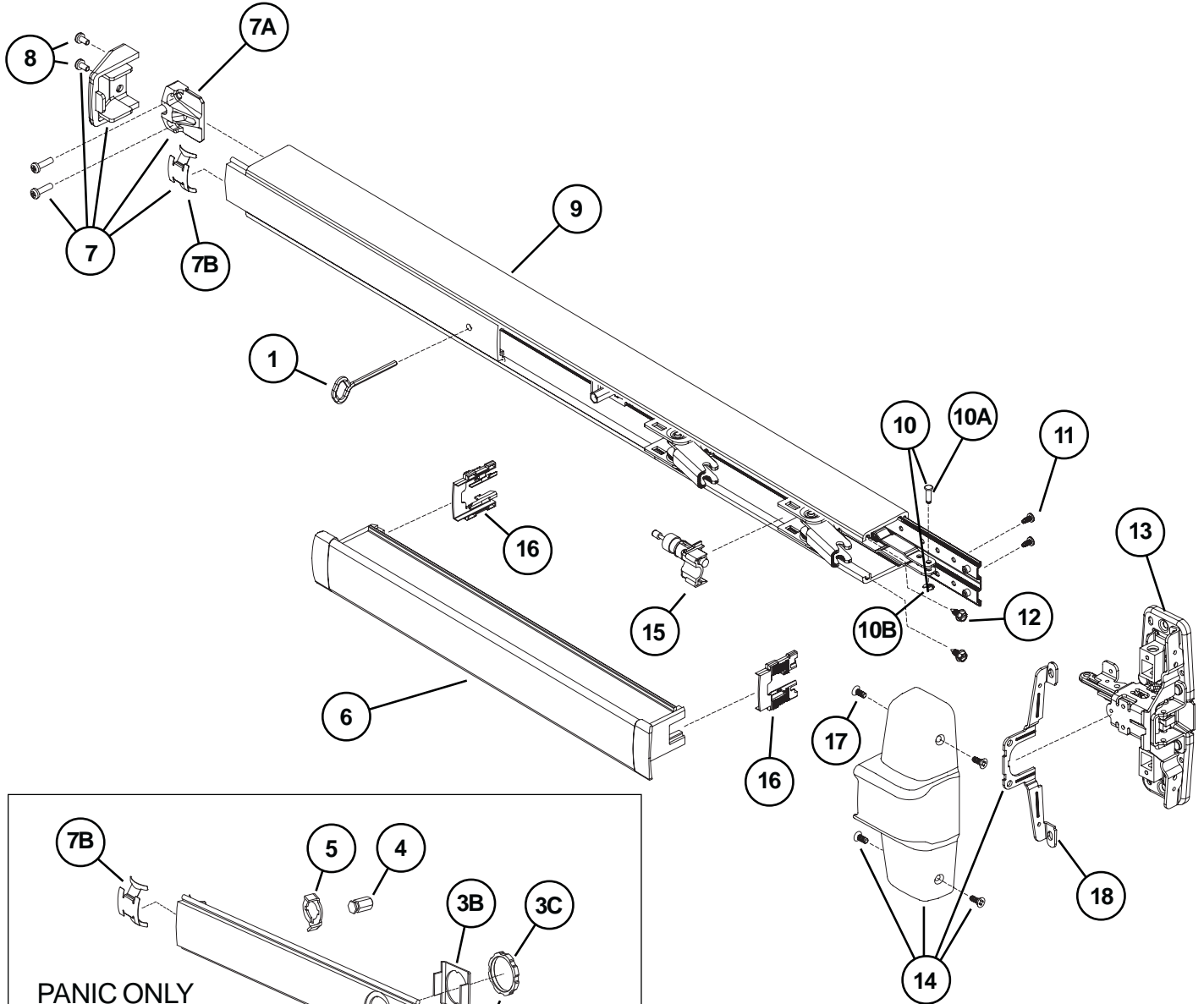
### 98/9947 STRIKES



### 98/9949 STRIKES



**98/9947 & 98/9949 PANIC DEVICE  
98/9947-F & 98/9949-F FIRE DEVICE**



**98/9947 & 98/9949 PANIC DEVICE  
98/9947-F & 98/9949-F FIRE DEVICE**

| Item No. | Quantity | Part No. | Description                                  | Finish |
|----------|----------|----------|--|--------|
|          | 1        | 900563   | 98/9947 & 98/9949 Series Mtg. Pkg. (1-3/4)   |        |
|          | 1        | 900568   | 98/9947 & 98/9949 Series Mtg. Pkg. (2-1/4)   |        |
| 1        | 1        | 090085   | 227 Dog Key 5/32" Hex (Pkg of 10)            |        |
| 1        | 1        | 090005   | 227 Dog Key 5/32" Hex (Pkg of 2)             |        |
| 2        | 1        | 090040   | Hex Dog Shaft (Pkg of 2)                     |        |
| 3        | 1        | 107813   | Cylinder Mounting Pkg                        | X      |
| 3A       | 1        | 050525   | Cylinder Collar                              | X      |
| 3B       | 1        | 050490   | Cylinder Locating Washer - CD/SS             |        |
| 3C       | 1        | 050526   | Cylinder Locknut                             |        |
| 4        | 1        | 090046   | CD Dogging Plug (Pkg of 2)                   |        |
| 5        | 1        | 090045   | CD Actuator Arm (Pkg of 2)                   |        |
| 6        | 1        | *PBKIT   | 98/99 Series Push Bar Retrofit Kit - 3' Door | X      |
| 6        | 1        | *PBKIT   | 98/99 Series Push Bar Retrofit Kit - 4' Door | X      |
| 7        | 1        | 050014   | 98/99 Series End Cap Kit                     | X      |
| 7A       | 1        | 050524   | Impact Resistant End Cap Bracket             |        |
| 7B       | 1        | 090036   | Cover Plate Anti-rattle Spring (Pkg of 10)   |        |
| 8        | 1        | 900597   | Device End Cap and C/Case Screw Pkg.         | X      |
| 9        | 1        | 968144   | 99 Series Mechanism Case - 3' Door           | X      |
| 9        | 1        | 968146   | 99 Series Mechanism Case - 4' Door           | X      |
| 9        | 1        | 970191   | 98 Series Mechanism Case - 3' Door           | X      |
| 9        | 1        | 970192   | 98 Series Mechanism Case - 4' Door           | X      |
| 10       | 1        | 050529   | 98/99 Series Control Link Pin & Ret. Ring    |        |
| 10A      | 1        | 090031   | 98/99 Series Control Link Pin (Pkg of 10)    |        |
| 10B      | 1        | 090107   | Retaining Ring (Pkg of 10)                   |        |
| 11       | 2        | 090037   | #8-32 x 3/8" Baseplate Screw (Pkg of 10)     |        |
| 12       | 2        | 090073   | Mechanism Case Bracket Screw (Pkg of 10)     |        |
| 13***    | 1        | 050022   | 98/9947-F & 98/9949-F C/Case Kit Less Cover  |        |
| 14**     | 1        | 050073   | 98/9947-F & 98/9949-F C/Case Cover Kit       | X      |
| 15       | 1        | 050491   | Shock Absorber & Holder Assembly             |        |
| 16       | 2        | 090049   | Push Bar Guide (Pkg of 10)                   |        |
| 17       | 4        | 900892   | Center Case Cover Screws (Pkg of 4)          | X      |
| 18       | 1        | 050564   | Center Case Cover Bracket                    |        |

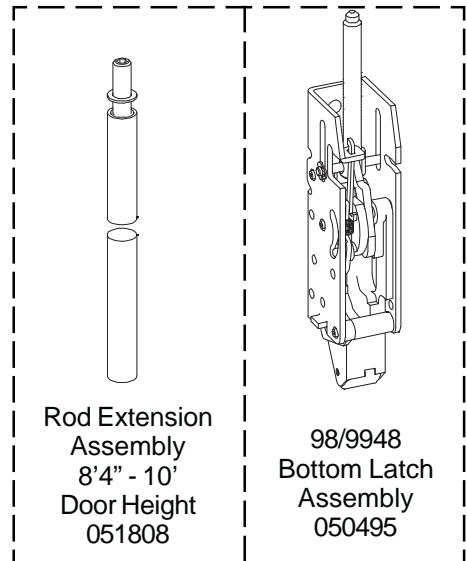
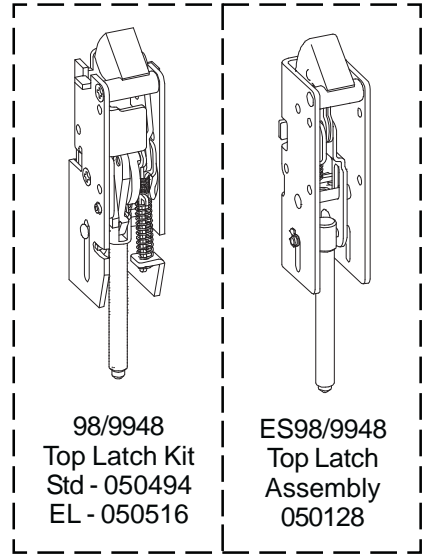
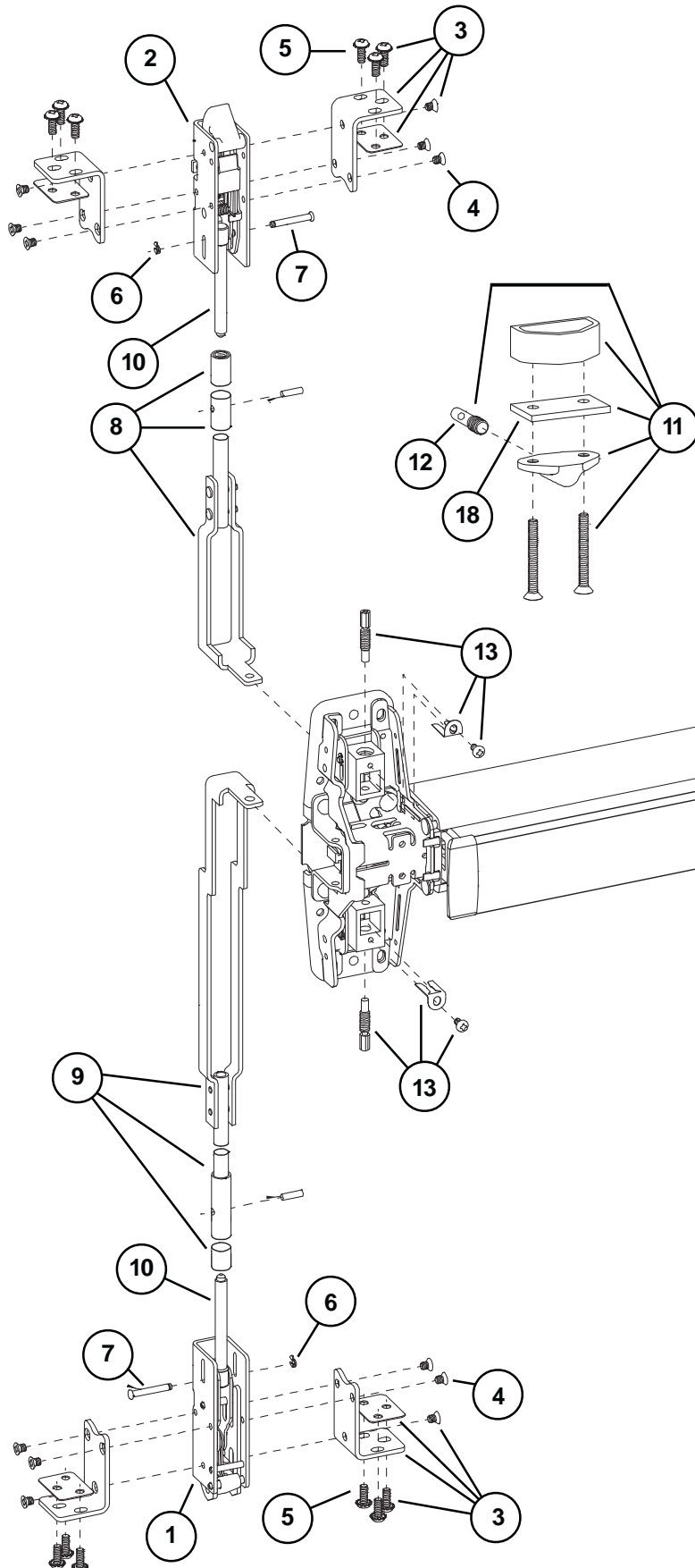
X in "Finish" column designates finished items; finish must be specified when ordering.

\* To order, specify device type, size, and finish. Example: PBKIT 98 3' US28

\*\*Includes parts for three-piece cover conversion.

\*\*\*Center case assembly parts shown on page 17.

# 98/9947 & 98/9947-F METAL DOOR VERTICAL RODS AND LATCHES



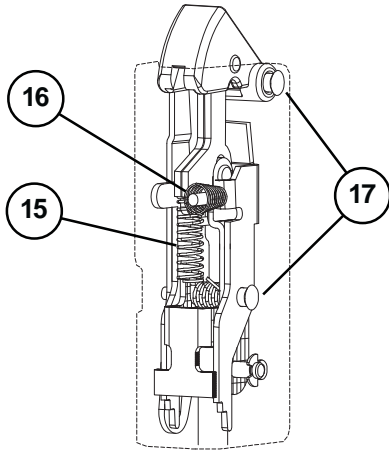
## 98/9947 & 98/9947-F METAL DOOR VERTICAL RODS AND LATCHES

| Item No. | Quantity | Part No. | Description                                | Finish |
|----------|----------|----------|--|--------|
| *        | 1        | 050047   | 98/9948 Latch Retrofit Kit-(non EL)        |        |
| *        | 1        | 050048   | 98/9948-F Latch Retrofit Kit-(non EL)      |        |
| *        | 1        | 050522   | EL98/9948 Latch Retrofit Kit               |        |
| *        | 1        | 050523   | EL98/9948-F Latch Retrofit Kit             |        |
| 1**      | 1        | 050493   | 98/9947 Bottom Latch Kit                   |        |
| 2**      | 1        | 050492   | 98/9947 Top Latch Kit                      |        |
| 3**      | 2        | 109324   | 98/9947 Latch Mtg Bracket                  |        |
| 3**      | 2        | 112868   | 98/9948 Latch Mtg Bracket                  |        |
| 4        | 6        | 090059   | Latch Bracket Mtg Screw (Latch)            |        |
| 5        | 6        | 090061   | Latch Bracket Mtg Screw (Metal Door)       |        |
| 5        | 6        | 900856   | Latch Bracket Mtg Screw (Wood Door)        |        |
| 6        | 2        | 090063   | Retaining Ring (Pkg of 10)                 |        |
| 7        | 2        | 090064   | Latch Link Pin (Pkg of 10)                 |        |
| 8        | 1        | 050574   | Adjustable Top Rod 6'8" - 8'4" Door        |        |
| 9        | 1        | 050575   | Adjustable Bottom Rod Kit                  |        |
| 10       | 2        | 090071   | 98/9947 Rod Connecting Screw (Pkg of 2)    |        |
| 10       | 2        | 090072   | 98/9948 Rod Connecting Screw (Pkg of 2)    |        |
| 11       | 1        | 106222   | Ratchet Release Pkg                        | X      |
| 12       | 1        | 090070   | Ratchet Release Screw                      |        |
| 13       | 2        | 109811   | 98/9947 Adjusting Screw Package (Pkg of 2) |        |
| 13       | 2        | 900898   | 98/9947 Adjusting Screw LBR Package        |        |
| 14       | 1        | 090065   | Bolt Return Spring (Pkg of 10)             |        |
| 15       | 1        | 090066   | Top Latch Compression Spring (Pkg of 10)   |        |
| 16       | 1        | 090069   | Ratchet Lever Spring (Pkg of 2)            |        |
| 17       | 1        | 090062   | Btm Latch Case Spirol Pin (Pkg of 10)      |        |
| 18       | 1        | 970978   | 98/9947 Ratchet Release Spacer             |        |

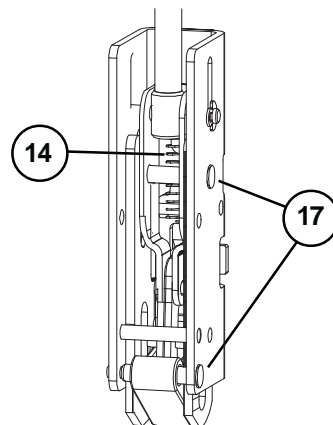
X in "Finish" column designates finished items; finish must be specified when ordering.

\*Retrofit kit includes items 1-3 to convert 98/9947 to 98/9948.

\*\*Each latch kit (item 1-2) includes only one latch mtg bracket (item 3). Panic device uses only 1 mounting bracket per latch while Fire (F) device uses 2 per latch. For service replacement only. Refer to retrofit kits to convert 98/9947 to 98/9948.

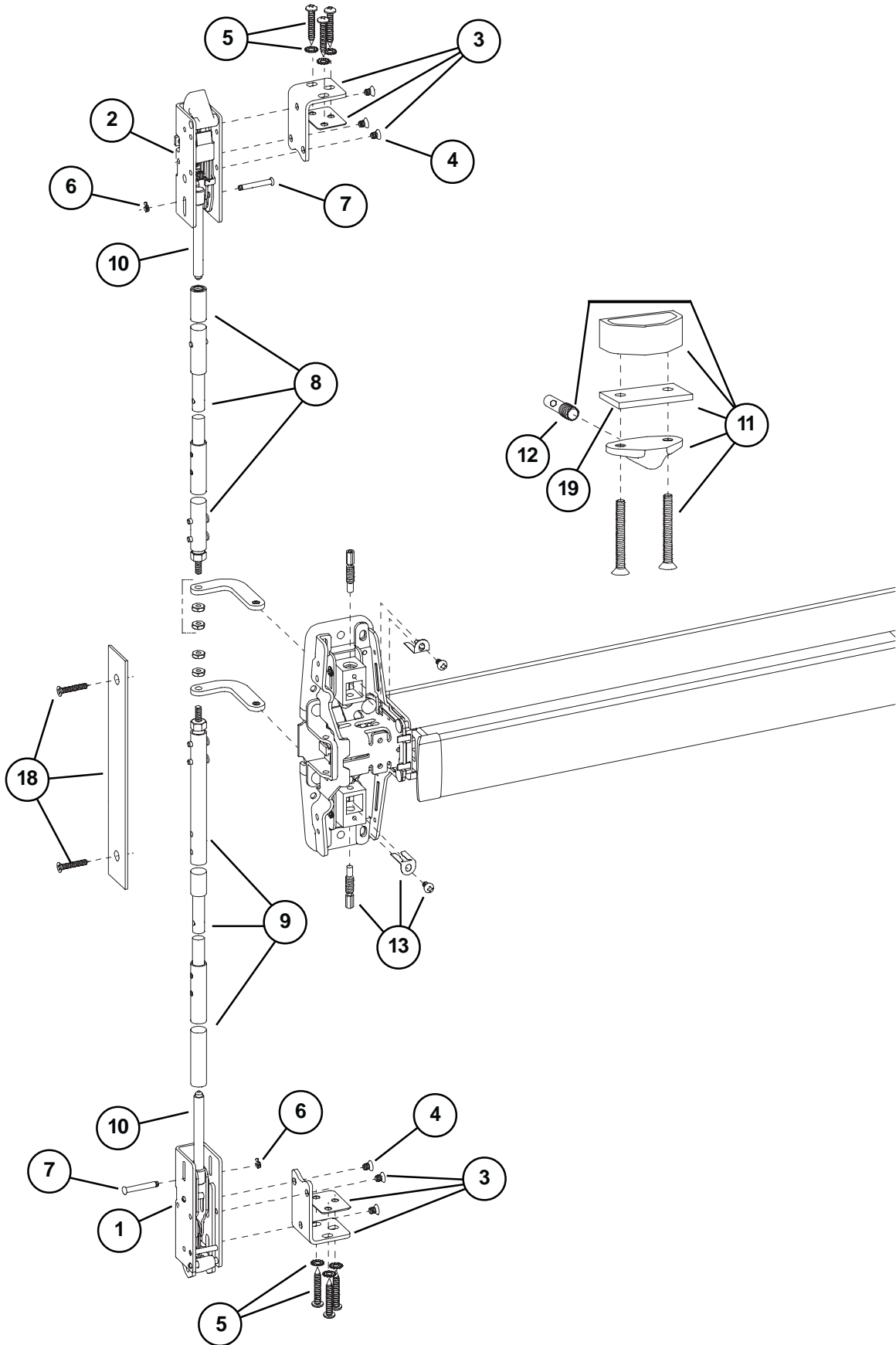


98/9947 Top Latch



98/9947 Bottom Latch

# 98/9947 & 98/9947-F WDC (WOOD DOOR CONCEALED) VERTICAL RODS AND LATCHES



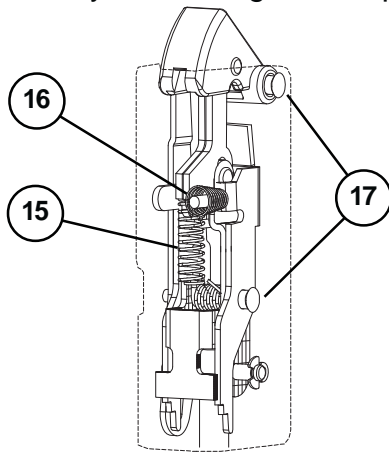


## 98/9947 & 98/9947-F WDC (WOOD DOOR CONCEALED) VERTICAL RODS AND LATCHES

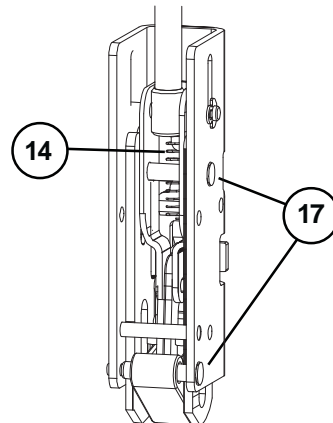
| Item No. | Quantity | Part No. | Description                              | Finish |
|----------|----------|----------|--|--------|
| 1*       | 1        | 050493   | 98/9947 Bottom Latch Kit                 |        |
| 2*       | 1        | 050492   | 98/9947 Top Latch Kit                    |        |
| 3*       | 2        | 109324   | 98/9947 Latch Mtg Bracket                |        |
| 4        | 6        | 090059   | Latch Bracket Mtg Screw (Latch)          |        |
| 5        | 1        | 900856   | WDC Auxiliary Mtg. Package               |        |
| 6        | 2        | 090063   | Retaining Ring (Pkg of 10)               |        |
| 7        | 2        | 090064   | Latch Link Pin (Pkg of 10)               |        |
| 8        | 1        | 050582   | WDC Adjustable Top Rod 6'8" - 8'4" Door  |        |
| 9        | 1        | 050583   | WDC Adjustable Bottom Rod Kit            |        |
| 10       | 2        | 090071   | 98/9947 Rod Connecting Screw (Pkg of 2)  |        |
| 10       | 2        | 090072   | 98/9948 Rod Connecting Screw (Pkg of 2)  |        |
| 11       | 1        | 106222   | Ratchet Release Pkg                      | X      |
| 12       | 1        | 090070   | Ratchet Release Screw (Pkg of 2)         |        |
| 13       | 2        | 109811   | 98/9947/48 Rod Adjust Pkg                |        |
| 13       | 1        | 900898   | LBR Adjusting Screw Pkg                  |        |
| 14       | 1        | 090065   | Bolt Return Spring (Pkg of 10)           |        |
| 15       | 1        | 090066   | Top Latch Compression Spring (Pkg of 10) |        |
| 16       | 1        | 090069   | Ratchet Lever Spring (Pkg of 2)          |        |
| 17       | 1        | 090062   | Btm Latch Case Spirol Pin (Pkg of 10)    |        |
| 18       | 1        | 050088   | 98/9947WDC & 98/9949WDC Scalp Plate      | X      |
| 19       | 1        | 970978   | 98/9947 Ratchet Release Spacer           |        |

X in "Finish" column designates finished items; finish must be specified when ordering.

\*Each latch kit (item 1-2) includes only one latch mtg bracket (item 3). All WDC devices require only 1 mounting bracket per latch.

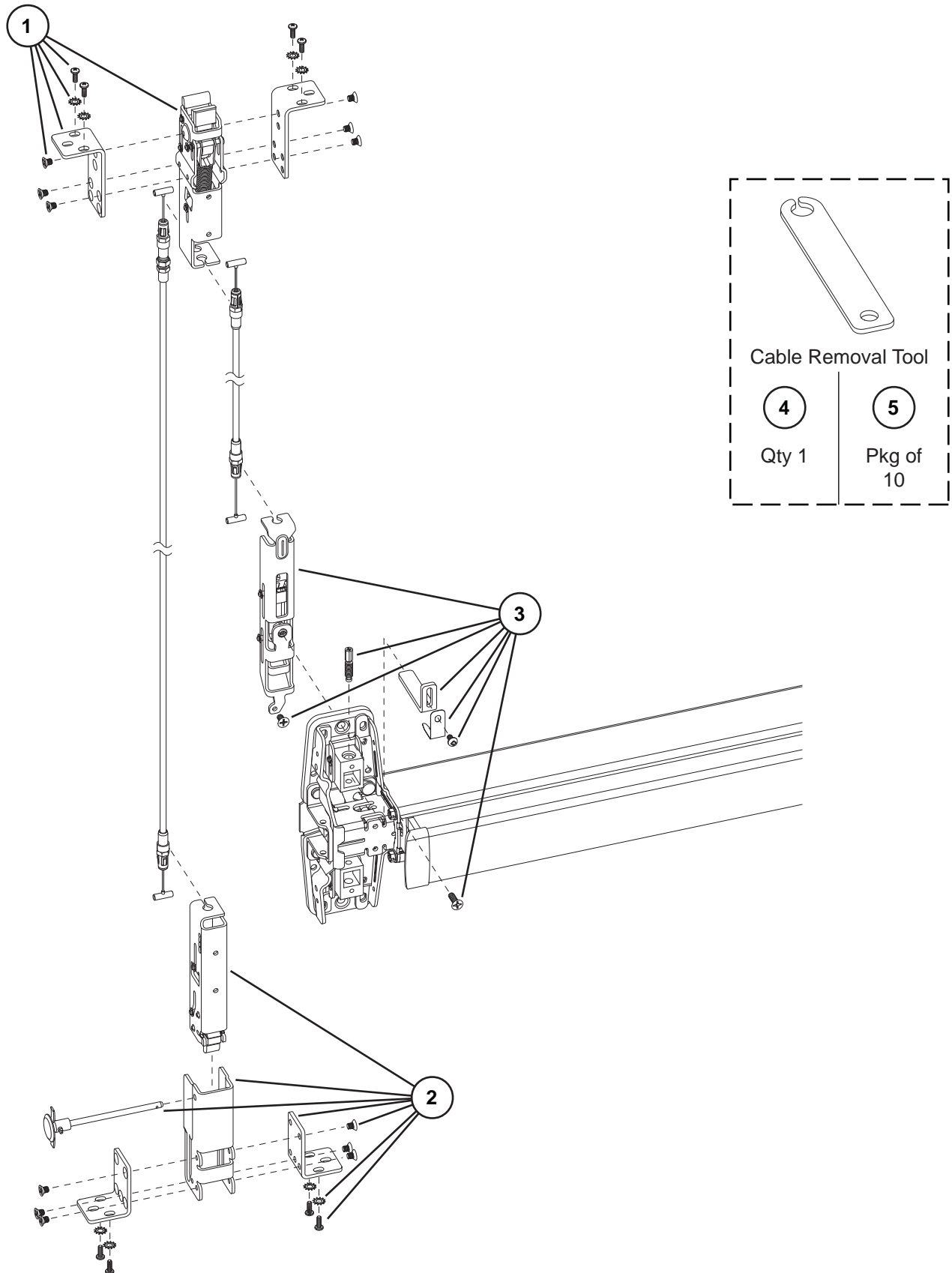


98/9947 Top Latch



98/9947 Bottom Latch

# 98/9949 & 98/9949-F METAL DOOR VERTICAL CABLES AND LATCHES



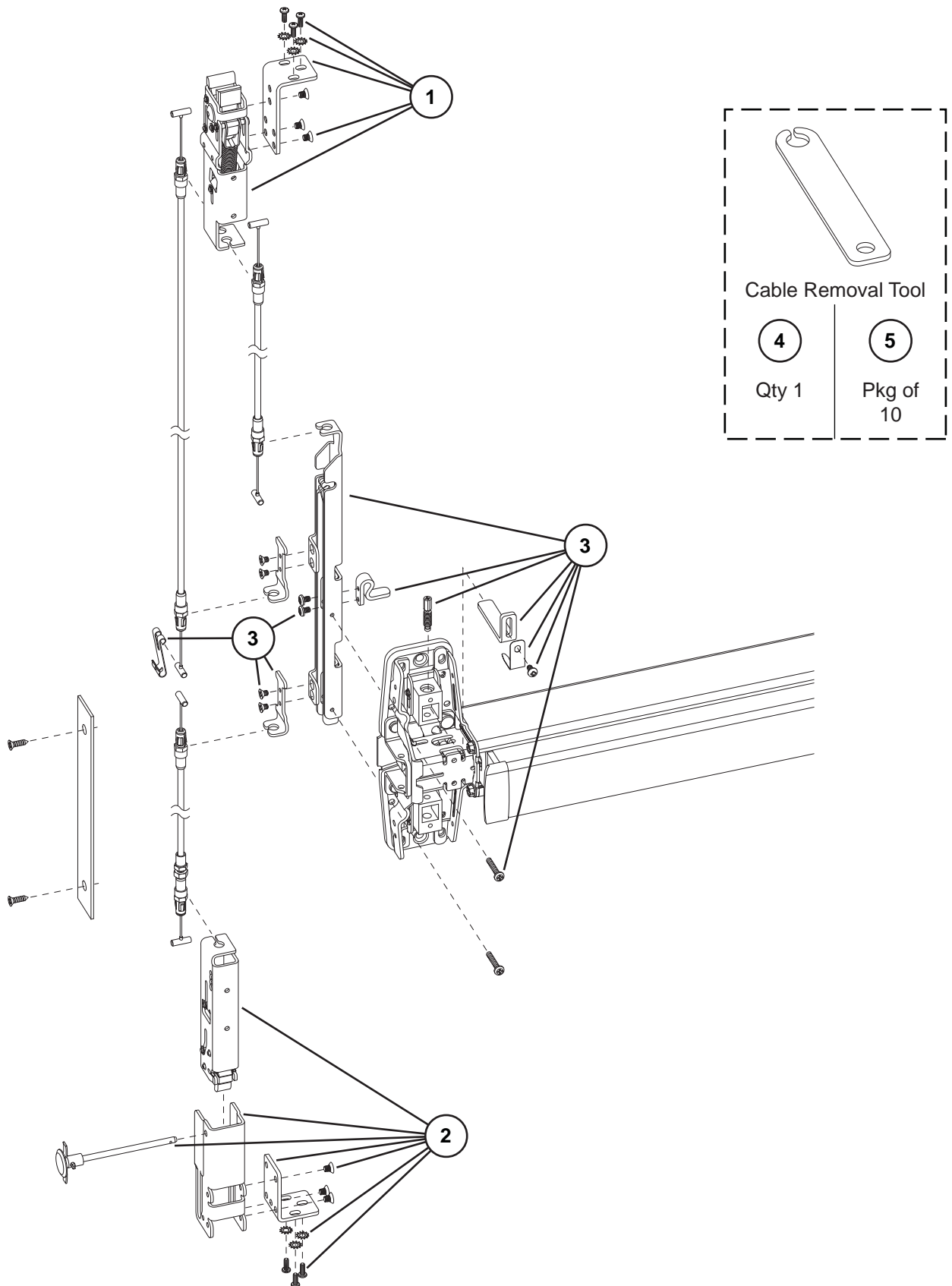
## 98/9949 & 98/9949-F METAL DOOR VERTICAL CABLES AND LATCHES

| Item No. | Quantity | Part No. | Description                                | Finish |
|----------|----------|----------|--|--------|
| 1*       | 1        | 24090110 | Top Latch Assembly                         |        |
| 2        | 1        | 23905821 | Bottom Latch Assembly                      |        |
| 3        | 1        | 24090144 | 98/9949 Center Slide Assembly (Metal Door) |        |
| 4        | 1        | 24008773 | Cable Removal Tool                         |        |
| 5        | 10       | 24090706 | Cable Removal Tool (Pkg of 10)             |        |

\*A cable removal tool is included with the assembly.

Each latch assembly includes two latch mounting brackets.  
See page 14 for 98/9949 metal door cable assemblies.

# 98/9949 & 98/9949-F WDC (WOOD DOOR CONCEALED) VERTICAL CABLES AND LATCHES



**98/9949 & 98/9949-F WDC (WOOD DOOR CONCEALED)  
VERTICAL CABLES AND LATCHES**

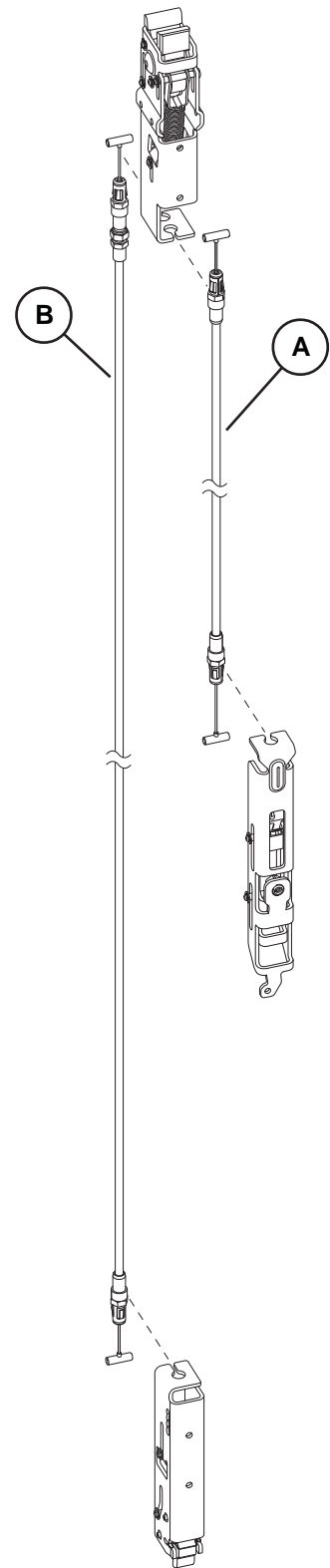
| Item No. | Quantity | Part No. | Description                         | Finish |
|----------|----------|----------|-------------------------------------|--------|
| 1*       | 1        | 24090110 | Top Latch Assembly                  |        |
| 2        | 1        | 23905821 | Bottom Latch Assembly               |        |
| 3        | 1        | 24090151 | 98/9949 Center Slide Assembly (WDC) |        |
| 4        | 1        | 24008773 | Cable Removal Tool                  |        |
| 5        | 10       | 24090706 | Cable Removal Tool (Pkg of 10)      |        |

\*A cable removal tool is included with the assembly.

Each latch assembly includes two latch mounting brackets.  
See page 15 for 98/9949 wood door cable assemblies.

**98/9949, 98-9949-F**  
**CABLE ASSEMBLIES - METAL DOOR**

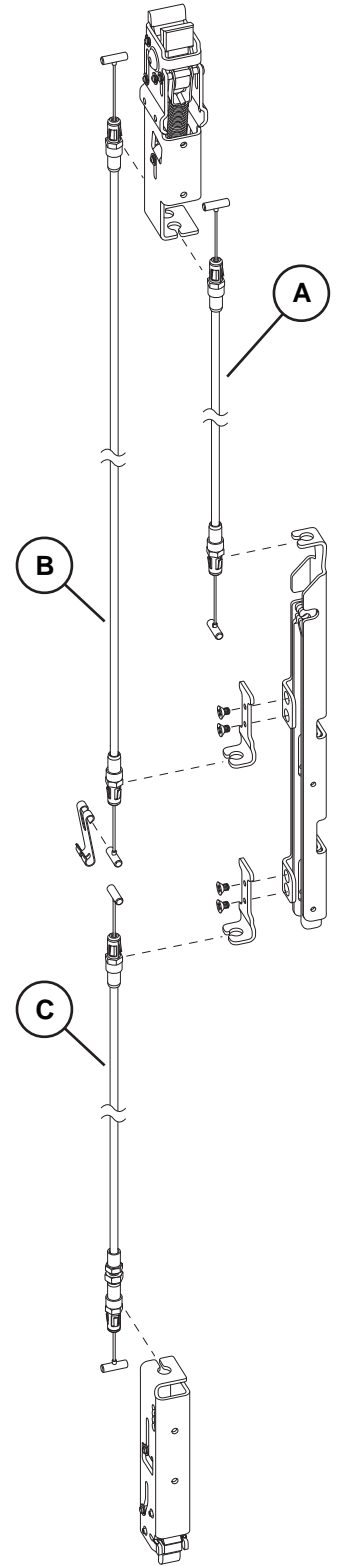
| Door Opening Height | Part Numbers   |                  |
|---------------------|----------------|------------------|
|                     | Top Cable (A)  | Bottom Cable (B) |
| 126"                | 24009359 (73") | 24009417 (115")  |
| 125"                | 24009342 (72") | 24009409 (114")  |
| 124"                | 24009334 (71") | 24009391 (113")  |
| 123"                | 24009326 (70") | 24009383 (112")  |
| 122"                | 24009318 (69") | 24009375 (111")  |
| 121"                | 24009300 (68") | 24009367 (110")  |
| 120"                | 23925407 (67") | 23925811 (109")  |
| 119"                | 23925415 (66") | 23925829 (108")  |
| 118"                | 23925423 (65") | 23925837 (107")  |
| 117"                | 23925431 (64") | 23925845 (106")  |
| 116"                | 23925449 (63") | 23925852 (105")  |
| 115"                | 23925456 (62") | 23925860 (104")  |
| 114"                | 23925464 (61") | 23925878 (103")  |
| 113"                | 23925472 (60") | 23925886 (102")  |
| 112"                | 23925480 (59") | 23925894 (101")  |
| 111"                | 23925498 (58") | 23925902 (100")  |
| 110"                | 23925506 (57") | 23925910 (99")   |
| 109"                | 23925514 (56") | 23925928 (98")   |
| 108"                | 23925522 (55") | 23925936 (97")   |
| 107"                | 23925530 (54") | 23925944 (96")   |
| 106"                | 23925548 (53") | 23925951 (95")   |
| 105"                | 23925555 (52") | 23925969 (94")   |
| 104"                | 23925563 (51") | 23925977 (93")   |
| 103"                | 23925571 (50") | 23925985 (92")   |
| 102"                | 23925589 (49") | 23925993 (91")   |
| 101"                | 23925597 (48") | 23926009 (90")   |
| 100"                | 23925605 (47") | 23926017 (89")   |
| 99"                 | 23925613 (46") | 23926025 (88")   |
| 98"                 | 23925621 (45") | 23926033 (87")   |
| 97"                 | 23925639 (44") | 23926041 (86")   |
| 96"                 | 23925647 (43") | 23926058 (85")   |
| 95"                 | 23925654 (42") | 23926066 (84")   |
| 94"                 | 23925662 (41") | 23926074 (83")   |
| 93"                 | 23925670 (40") | 23926082 (82")   |
| 92"                 | 23925688 (39") | 23926090 (81")   |
| 91"                 | 23925696 (38") | 23926108 (80")   |
| 90"                 | 23925704 (37") | 23926116 (79")   |
| 89"                 | 23925712 (36") | 23926124 (78")   |
| 88"                 | 23925720 (35") | 23926132 (77")   |
| 87"                 | 23925738 (34") | 23926140 (76")   |
| 86"                 | 23925746 (33") | 23926157 (75")   |
| 85"                 | 23925753 (32") | 23926165 (74")   |
| 84"                 | 23925761 (31") | 23926173 (73")   |
| 83"                 | 23925779 (30") | 23926181 (72")   |
| 82"                 | 23925787 (29") | 23926199 (71")   |
| 81"                 | 23925795 (28") | 23926207 (70")   |
| 80"                 | 23925803 (27") | 23926215 (69")   |



Standard cable lengths (in stock)  
 Non-standard lengths are also available.  
 Please consult factory for lead times.

# 98/9949WDC, 98-9949WDC-F CABLE ASSEMBLIES - WOOD DOOR

| Door Opening Height | Part Numbers   |                        |                        |
|---------------------|----------------|------------------------|------------------------|
|                     | Top Cable (A)  | Upper Bottom Cable (B) | Lower Bottom Cable (C) |
| 120"                | 23925423 (65") | 24009334 (71")         | 24078453 (33")         |
| 119"                | 23925431 (64") | 24009326 (70")         |                        |
| 118"                | 23925449 (63") | 24009318 (69")         |                        |
| 117"                | 23925456 (62") | 24009300 (68")         |                        |
| 116"                | 23925464 (61") | 23925407 (67")         |                        |
| 115"                | 23925472 (60") | 23925415 (66")         |                        |
| 114"                | 23925480 (59") | 23925423 (65")         |                        |
| 113"                | 23925498 (58") | 23925431 (64")         |                        |
| 112"                | 23925506 (57") | 23925449 (63")         |                        |
| 111"                | 23925514 (56") | 23925456 (62")         |                        |
| 110"                | 23925522 (55") | 23925464 (61")         |                        |
| 109"                | 23925530 (54") | 23925472 (60")         |                        |
| 108"                | 23925548 (53") | 23925480 (59")         |                        |
| 107"                | 23925555 (52") | 23925498 (58")         |                        |
| 106"                | 23925563 (51") | 23925506 (57")         |                        |
| 105"                | 23925571 (50") | 23925514 (56")         |                        |
| 104"                | 23925589 (49") | 23925522 (55")         |                        |
| 103"                | 23925597 (48") | 23925530 (54")         |                        |
| 102"                | 23925605 (47") | 23925548 (53")         |                        |
| 101"                | 23925613 (46") | 23925555 (52")         |                        |
| 100"                | 23925621 (45") | 23925563 (51")         |                        |
| 99"                 | 23925639 (44") | 23925571 (50")         |                        |
| 98"                 | 23925647 (43") | 23925589 (49")         |                        |
| 97"                 | 23925654 (42") | 23925597 (48")         |                        |
| 96"                 | 23925662 (41") | 23925605 (47")         |                        |
| 95"                 | 23925670 (40") | 23925613 (46")         |                        |
| 94"                 | 23925688 (39") | 23925621 (45")         |                        |
| 93"                 | 23925696 (38") | 23925639 (44")         |                        |
| 92"                 | 23925704 (37") | 23925647 (43")         |                        |
| 91"                 | 23925712 (36") | 23925654 (42")         |                        |
| 90"                 | 23925720 (35") | 23925662 (41")         |                        |
| 89"                 | 23925738 (34") | 23925670 (40")         |                        |
| 88"                 | 23925746 (33") | 23925688 (39")         |                        |
| 87"                 | 23925753 (32") | 23925696 (38")         |                        |
| 86"                 | 23925761 (31") | 23925704 (37")         |                        |
| 85"                 | 23925779 (30") | 23925712 (36")         |                        |
| 84"                 | 23925787 (29") | 23925720 (35")         |                        |
| 83"                 | 23925795 (28") | 23925738 (34")         |                        |
| 82"                 | 23925803 (27") | 23925746 (33")         |                        |
| 81"                 | 24051039 (26") | 23925753 (32")         |                        |
| 80"                 | 24078495 (25") | 23925761 (31")         |                        |

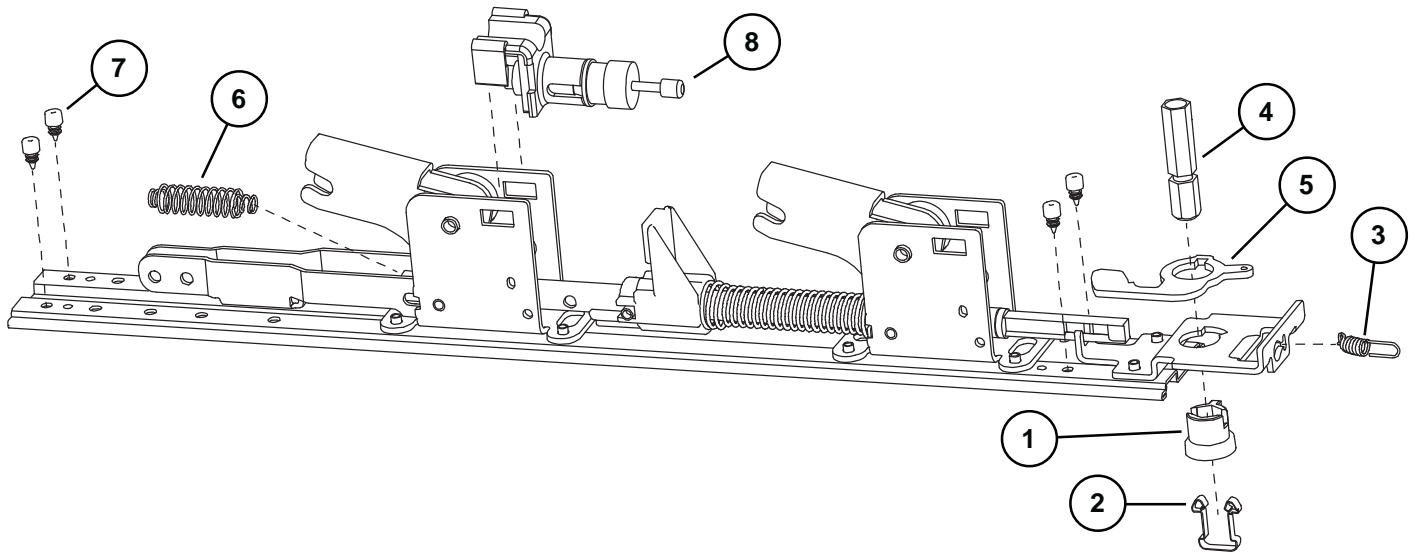


Standard cable lengths (in stock)

Non-standard lengths are also available. Please consult factory for lead times.

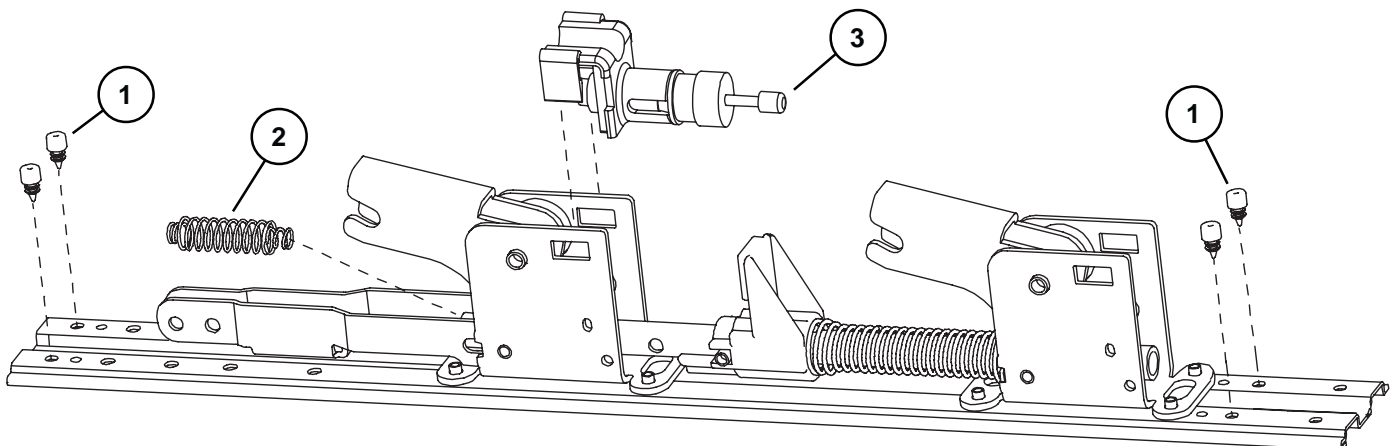
## 98/9947 & 98/9949 PANIC DEVICE BASEPLATE ASSEMBLY

| Item No. | Quantity | Part No. | Description                       | Finish |
|----------|----------|----------|-----------------------------------|--------|
| 1        | 1        | 090043   | Dogging adapter (Pkg of 2)        |        |
| 2        | 1        | 090042   | Dogging adapter spring (Pkg of 2) |        |
| 3        | 1        | 090041   | Dogging spring (Pkg of 2)         |        |
| 4        | 1        | 090040   | Hex dogging shaft (Pkg of 2)      |        |
| 5        | 1        | 090044   | Dogging hook (Pkg of 2)           |        |
| 6        | 1        | 090039   | Latch return spring (Pkg of 10)   |        |
| 7        | 4        | 090038   | Rubber bumper (Pkg of 4)          |        |
| 8        | 1        | 050491   | Shock absorber                    |        |



## 98/9947-F & 98/9949-F FIRE DEVICE BASEPLATE ASSEMBLY

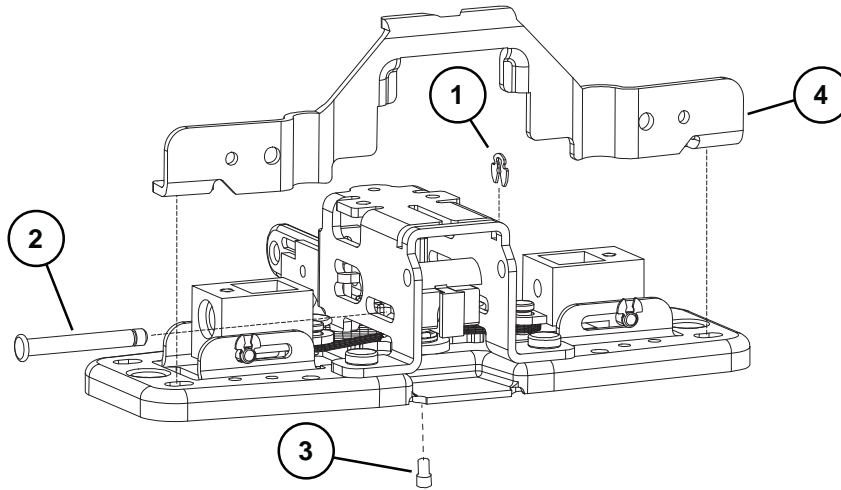
| Item No. | Quantity | Part No. | Description                     | Finish |
|----------|----------|----------|---------------------------------|--------|
| 1        | 4        | 090038   | Rubber bumper (Pkg of 4)        |        |
| 2        | 1        | 090039   | Latch return spring (Pkg of 10) |        |
| 3        | 1        | 050491   | Shock absorber                  |        |





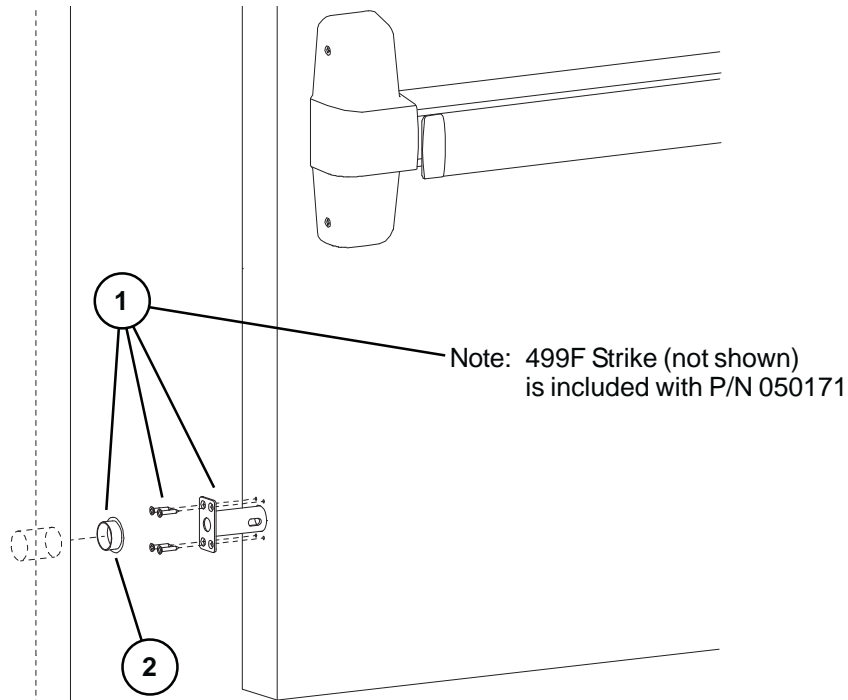
## 98/9947 & 98/9949 DEVICE CENTER CASE ASSEMBLY

| Item No. | Quantity | Part No. | Description                     | Finish |
|----------|----------|----------|---------------------------------|--------|
| 1        | 2        | 090107   | Retaining Ring (Pkg of 10)      |        |
| 2        | 2        | 090079   | Latch Bolt Pin (Pkg of 10)      |        |
| 3        | 1        | 090074   | NL Drive Screw (Pkg of 10)      |        |
| 4        | 1        | 050565   | Center Case Reinforcing Bracket |        |



## 98/9947-F LBR (LESS BOTTOM ROD) 98/9949-F LBL (LESS BOTTOM LATCH) FIRE LATCH KIT

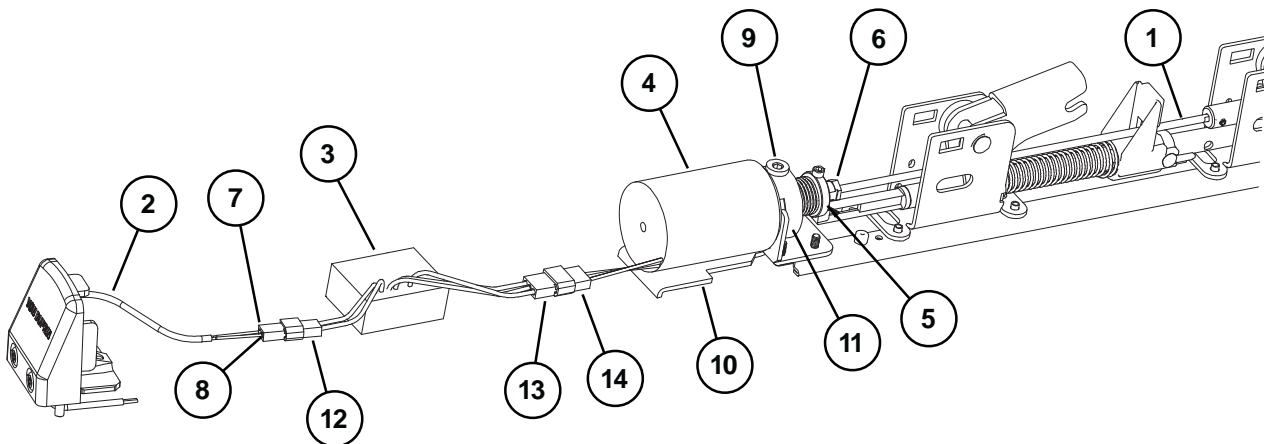
| Item No. | Quantity | Part No. | Description                   | Finish |
|----------|----------|----------|-------------------------------|--------|
| 1        | 1        | 050171   | LBR/LBL Fire Latch/Strike kit |        |
| 2        | 1        | 050509   | LBR/LBL Fire Strike Plug      |        |



**HD-EL9847/HD-EL9947 & HD-EL9849/HD-EL9949  
HEX DOGGING/ELECTRIC LATCH  
RETRACTION OPTION - PANIC DEVICE ONLY**

| Item No. | Quantity | Part No. | Description                          | Finish |
|----------|----------|----------|--------------------------------------|--------|
| 1        | 1        | 050531   | EL Dogging Rod Kit - 3' Device       |        |
| 1        | 1        | 050532   | EL Dogging Rod Kit - 4' Device       |        |
| 2        | 1        | 110388   | EL 6' Cable and Connector            |        |
| 3        | 1        | 050534   | EL Potted Circuit Breaker            |        |
| 4        | 1        | 050536   | HD-EL Solenoid                       |        |
| 5        | 1        | 050537   | HD-EL Solenoid Plunger               |        |
| 6        | 1        | 050538   | EL Dogging Rod Retainer              |        |
| 7        | 1        | 050539   | EL Receptacle Connector - 2 Position |        |
| 8        | 2        | 050540   | EL Female Terminal                   |        |
| 9        | 1        | 050541   | HD-EL Dog Screw                      |        |
| 10       | 1        | 050542   | HD-EL Solenoid Bracket               |        |
| 11       | 1        | 050543   | HD-EL Dogging Spring                 |        |
| 12       | 1        | 990599   | EL Plug Connector - 2 Position       |        |
| 13       | 1        | 990857   | EL Receptacle Connector - 3 Position |        |
| 14       | 1        | 990858   | EL Plug Connector - 3 Position       |        |
| *        | 1        | 050384   | HD-EL Conversion Kit - 3'            |        |
| *        | 1        | 050385   | HD-EL Conversion Kit - 4'            |        |

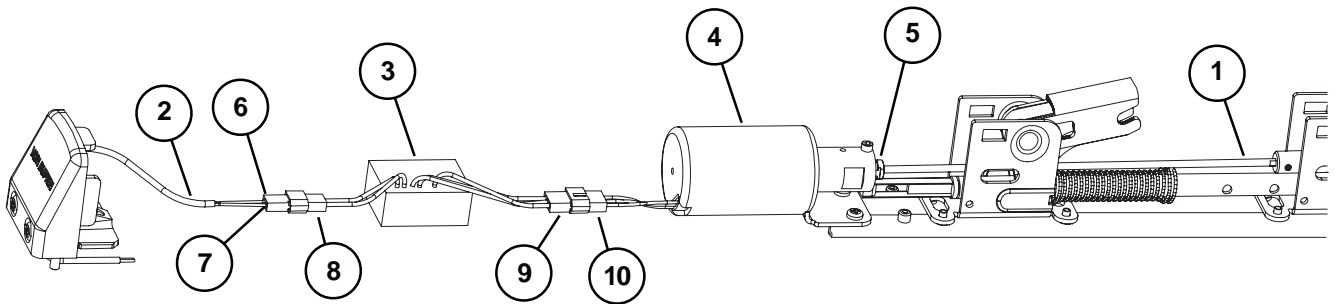
\*Kit includes items 1-11 plus new control link, retaining ring, and baseplate screws.



## EL9847/EL9947 & EL9849/EL9949 SERIES ELECTRIC LATCH RETRACTION OPTION

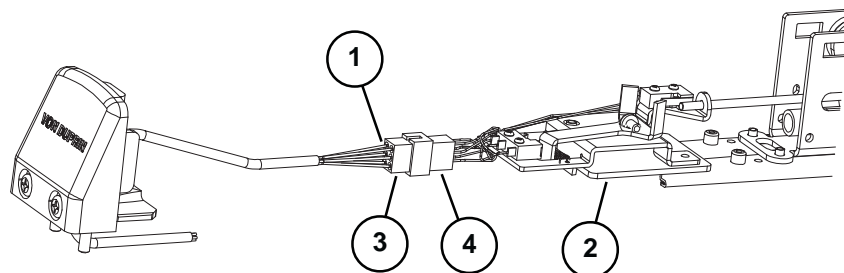
| Item No. | Quantity | Part No. | Description                          | Finish |
|----------|----------|----------|--------------------------------------|--------|
| 1        | 1        | 050531   | EL Dogging Rod Kit - 3' device       |        |
| 1        | 1        | 050532   | EL Dogging Rod Kit - 4' device       |        |
| 2        | 1        | 110388   | EL 6' Cable and Connector            |        |
| 3        | 1        | 050534   | EL Potted Circuit Breaker            |        |
| 4        | 1        | 050535   | EL Solenoid Assembly                 |        |
| 5        | 1        | 050538   | EL Dogging Rod Retainer              |        |
| 6        | 1        | 050539   | EL Receptacle Connector              |        |
| 7        | 2        | 050540   | EL Female Terminal                   |        |
| 8        | 1        | 990599   | EL Plug Connector - 2 Position       |        |
| 9        | 1        | 990857   | EL Receptacle Connector - 3 Position |        |
| 10       | 1        | 990858   | EL Plug Connector - 3 Position       |        |
| *        | 1        | 050070   | EL Conversion Kit - 3'               |        |
| *        | 1        | 050078   | EL Conversion Kit - 4'               |        |

\*Kit includes items 1-7 plus new control link pin, retaining ring, and baseplate screws.

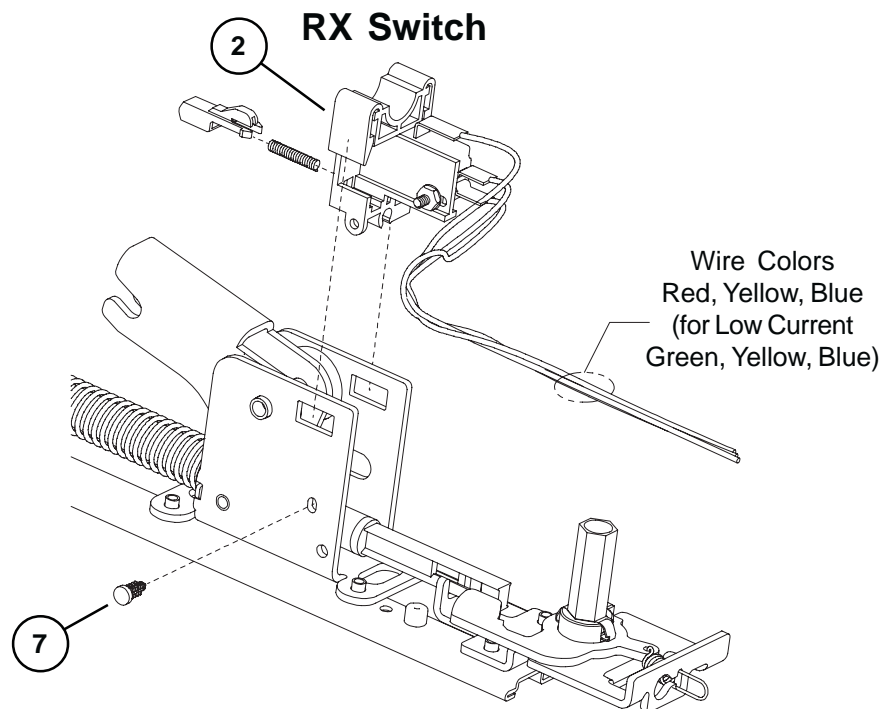
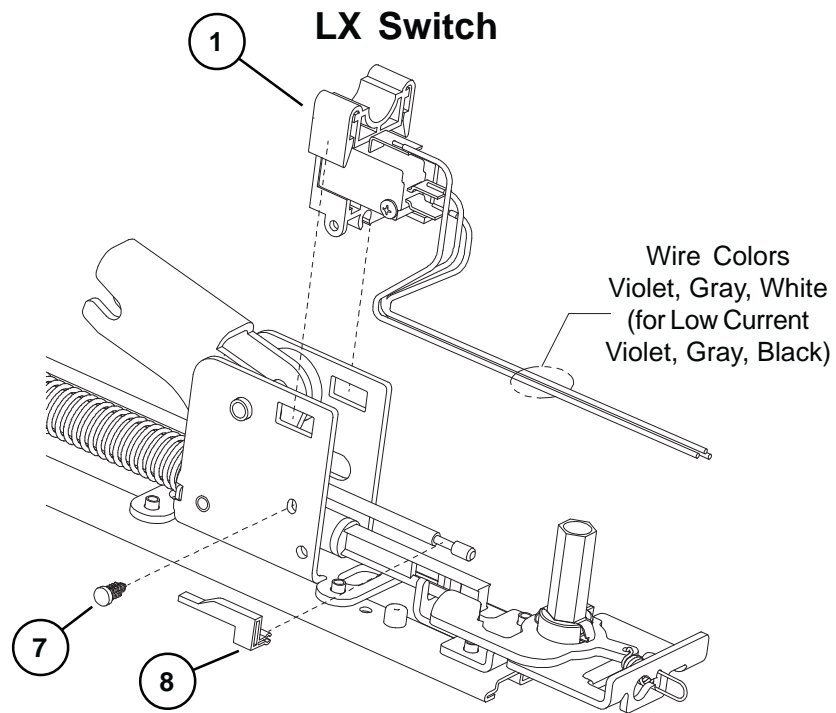


## SS9847/SS9947 & SS9849/SS9949 SERIES SIGNAL SWITCH OPTION

| Item No. | Quantity | Part No. | Description                          | Finish |
|----------|----------|----------|--------------------------------------|--------|
| 1        | 1        | 050544   | SS Cable                             |        |
| 2        | 1        | 050545   | SS Housing                           |        |
| 3        | 1        | 990601   | SS Plug Connector - 6 Position       |        |
| 4        | 1        | 990602   | SS Receptacle Connector - 6 Position |        |

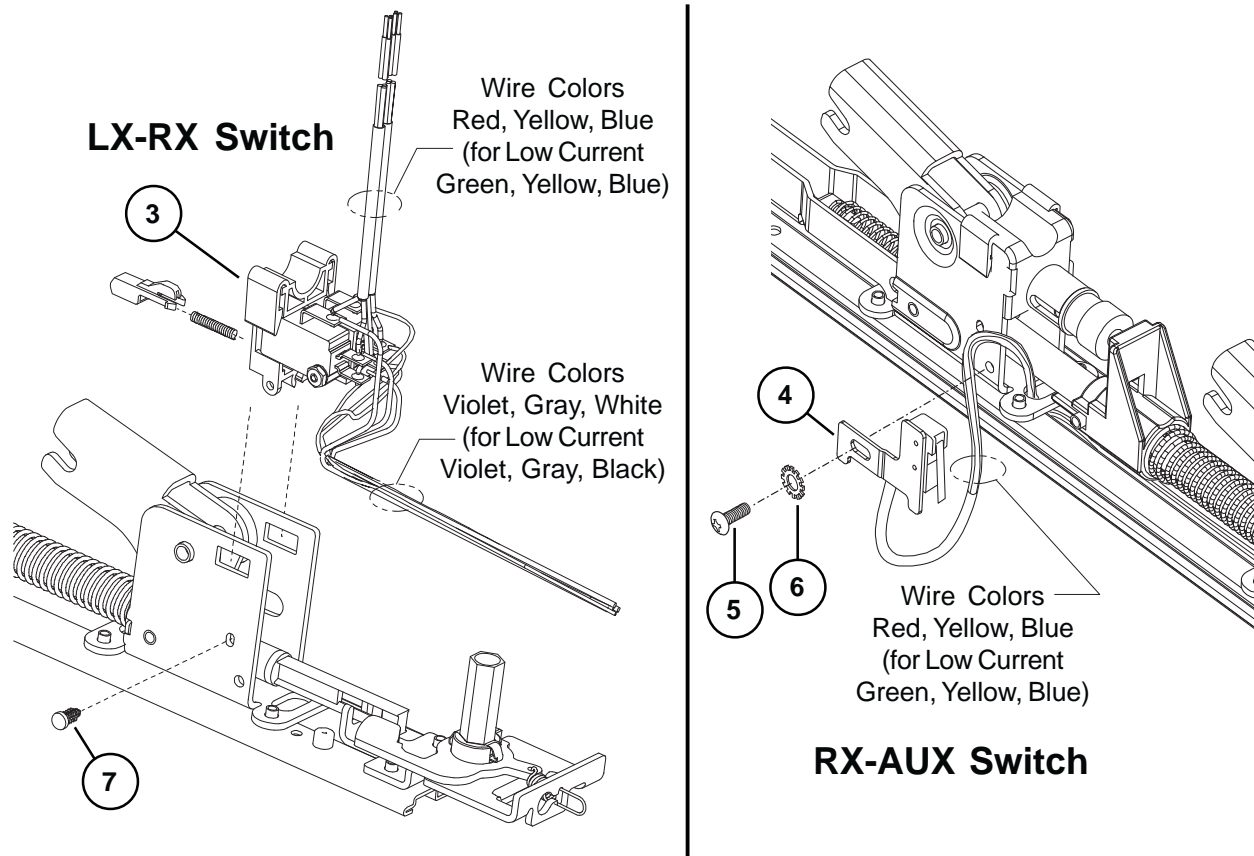


# 98/9947 & 98/9949 SERIES LX (LATCH BOLT MONITOR) & RX (REQUEST TO EXIT) OPTIONS



## 98/9947 & 98/9949 SERIES LX (LATCH BOLT MONITOR) & RX (REQUEST TO EXIT) OPTIONS

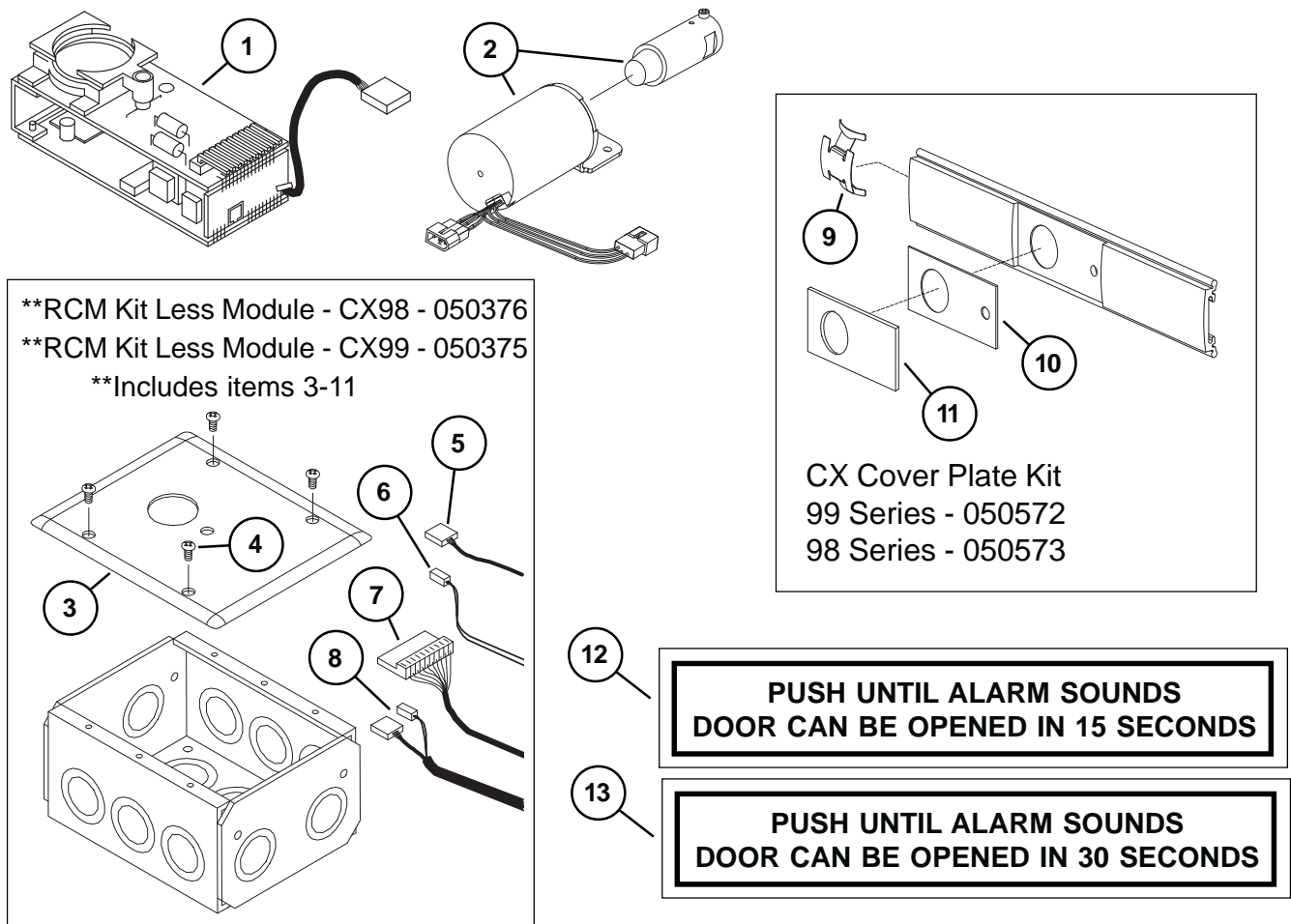
| Item No. | Quantity | Part No. | Description                              | Finish |
|----------|----------|----------|--|--------|
| 1        | 1        | 050254   | LX Switch Kit 3' Device                  |        |
| 1        | 1        | 050255   | LX Switch Kit 4' Device                  |        |
| 1        | 1        | 050247   | LX-EL Switch Kit                         |        |
| 1        | 1        | 050283   | LX-LC (Low Current) Switch Kit 3' Device |        |
| 1        | 1        | 050285   | LX-LC (Low Current) Switch Kit 4' Device |        |
| 1        | 1        | 050287   | LX-LC-EL (Low Current) Switch Kit        |        |
| 2        | 1        | 050251   | RX Switch Kit                            |        |
| 2        | 1        | 050281   | RX-LC (Low Current) Switch Kit           |        |
| 3        | 1        | 050256   | LX-RX Switch Kit 3' Device               |        |
| 3        | 1        | 050257   | LX-RX Switch Kit 4' Device               |        |
| 3        | 1        | 050259   | LX-RX-EL Switch Kit                      |        |
| 3        | 1        | 050289   | LX-RX-LC (Low Current) Sw. Kit 3' Device |        |
| 3        | 1        | 050291   | LX-RX-LC (Low Current) Sw. Kit 4' Device |        |
| 3        | 1        | 050293   | LX-RX-LC-EL (Low Current) Switch Kit     |        |
| 2 & 4    | 1        | 050270   | RX-2 Switch Kit                          |        |
| 4        | 1        | 050271   | RX-AUX Switch Kit                        |        |
| 5        | 1        | 964558   | 8-32 x 5/16" PPHMS                       |        |
| 6        | 1        | 964019   | #8 Washer                                |        |
| 7        | 1        | 090099   | Pine Tree Clip (Pkg of 10)               |        |
| 8        | 1        | 971091   | LX Actuator                              |        |



## CX98/9947 & CX98/9949 SERIES CHEXIT AND CX-RCM OPTION

| Item No. | Quantity | Part No. | Description                                | Finish |
|----------|----------|----------|--|--------|
| 1        | 1        | 050228   | Chexit PCB Kit - 15 Second Release         |        |
| 1*       | 1        | 050700   | Chexit PCB Kit - 30 Second Release         |        |
| 1        | 1        | 050701   | Chexit PCB Kit - 0 Second Release          |        |
| 1        | 1        | 050702   | Chexit PCB Kit - Boca 15 Second Release    |        |
| 1*       | 1        | 050703   | Chexit PCB Kit - Boca 30 Second Release    |        |
| 2        | 1        | 050533   | CX Solenoid and Plunger                    |        |
| 3        | 1        | 113111   | Faceplate and Adapter                      | X      |
| 4        | 4        | 963898   | 6-32 x 3/8" OPHMS Faceplate Screws         | X      |
| 5        | 1        | 991338   | RCM 3 Wire RX Cable                        |        |
| 6        | 1        | 991339   | RCM 2 Wire Solenoid Cable                  |        |
| 7        | 1        | 112018   | Chexit Wiring Assembly                     |        |
| 8        | 1        | 991336   | CX-RCM Cable Assy - 5 Wire                 |        |
| 9        | 1        | 090036   | Cover Plate Anti-rattle Spring (Pkg of 10) |        |
| 10       | 1        | 970513   | LED Cover Mask - Chexit                    |        |
| 11       | 1        | 970519   | LED Cover - Chexit                         |        |
| 12       | 1        | 113781   | Sign 15 Second - Chexit                    |        |
| 13       | 1        | 113782   | Sign 30 Second - Chexit                    |        |

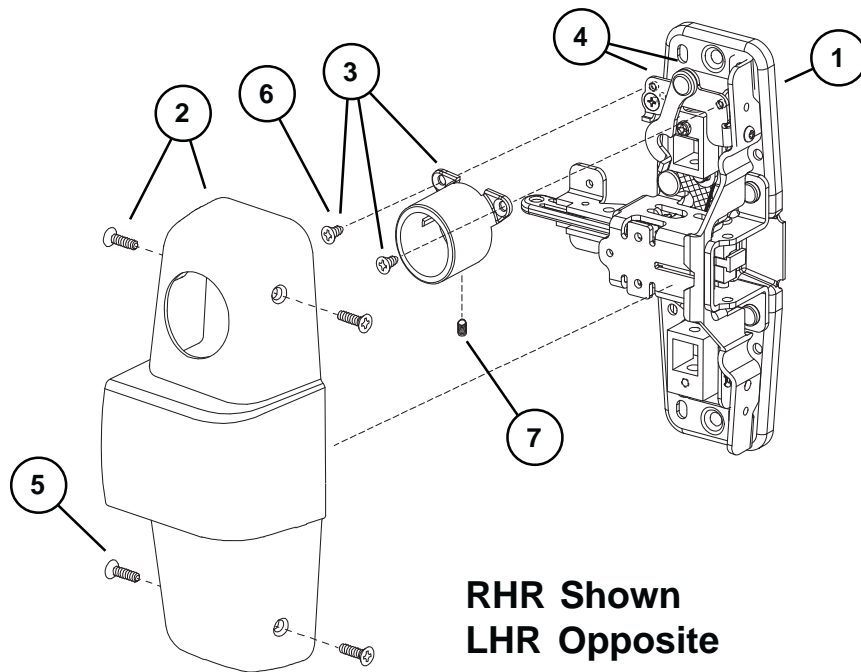
**\*Over 15 seconds delay requires a letter of approval from authority having local jurisdiction.  
Fax letter in with sales order. The order cannot be processed without the letter.**



## CX-CD/SD98/9947 SERIES OPTION

| Item No. | Quantity | Part No.     | Description                            | Finish |
|----------|----------|--------------|--|--------|
| 1*       | 1        | 050552       | SD98/9947 RHR Center Case Kit Less Cvr |        |
| 1*       | 1        | 050553       | SD98/9947 LHR Center Case Kit Less Cvr |        |
| 2        | 1        | 050562       | SD98/9947 RHR Center Case Cover Kit    | X      |
| 2        | 1        | 050563       | SD98/9947 LHR Center Case Cover Kit    | X      |
| 3        | 1        | 112409       | CD-CX/SD Cylinder Dog Housing          |        |
| 4        | 1        | 112455       | CX-CD/SD Cylinder Dog Bracket Kit RHR  |        |
| 4        | 1        | 112456       | CX-CD/SD Cylinder Dog Bracket Kit LHR  |        |
| 5        | 4        | 900892       | Center Case Cover Screws               | X      |
| 6        | 2        | PkgServ.1018 | 8-32 x 1/4" UFPHMS (Pkg of 20)         |        |
| 7        | 1        | 964240       | Bracket Set Screw                      |        |

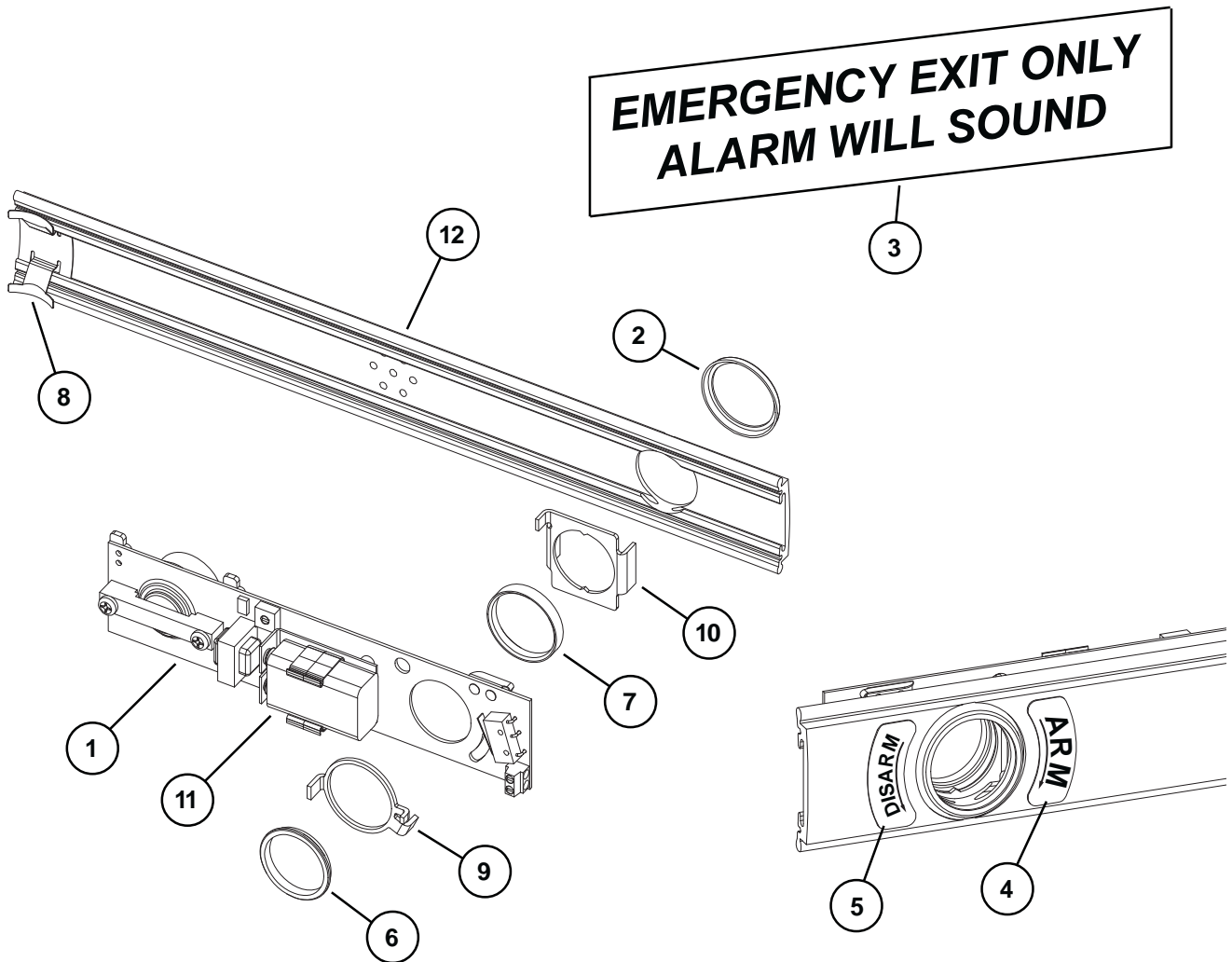
\*Parts shown are for the CX-CD/SD option. For other available center case parts refer to page 17.



## 98/9947 & 98/9949 ALK EXIT ALARM KIT

| Item No. | Quantity | Part No. | Description                                | Finish |
|----------|----------|----------|--|--------|
| 1        | 1        | 111795   | ALK PCB Assembly                           |        |
| 2        | 1        | 050525   | Cylinder Collar                            | X      |
| 3        | 1        | 969122   | ALK Alarm Device Sign                      |        |
| 4        | 1        | 969349   | ALK Arming Label                           |        |
| 5        | 1        | 969350   | ALK Disarming Label                        |        |
| 6        | 1        | 969354   | Retainer Nut                               |        |
| 7        | 1        | 970594   | ALK Cylinder Spacer                        |        |
| 8        | 1        | 090036   | Cover Plate Anti-rattle spring (Pkg of 10) |        |
| 9        | 1        | 971556   | ALK Switch Actuator                        |        |
| 10       | 1        | 971557   | ALK Cylinder Bracket                       |        |
| 11       | 1        | 990637   | ALK Battery                                |        |
| 12       | 1        | 050569   | 99 Series ALK Cover Plate Kit              | X      |
| 12       | 1        | 050570   | 98 Series ALK Cover Plate Kit              | X      |

X in "Finish" column designates finished items; finish must be specified when ordering.



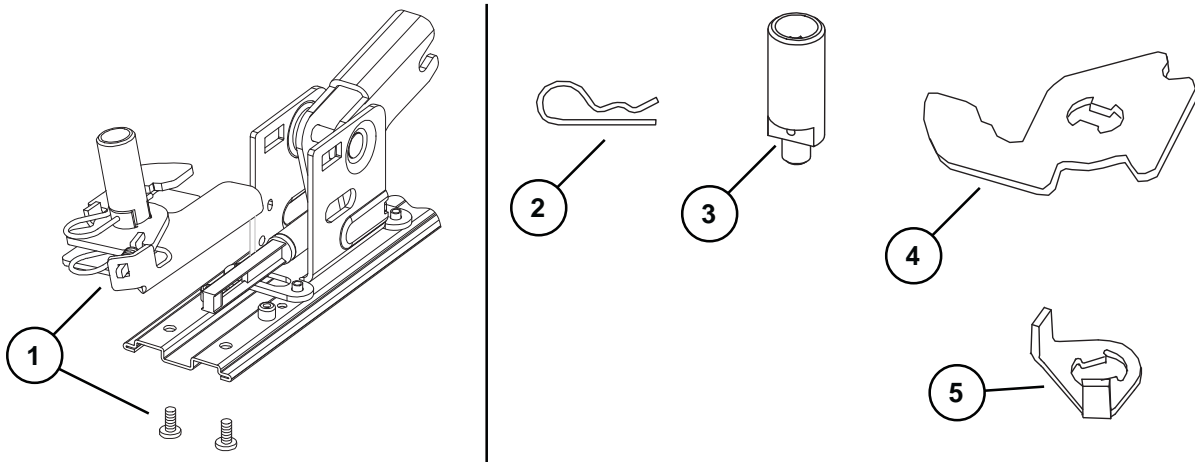


## 98/9947 SERIES SERVICE REPLACEMENT ITEMS

| Item No. | Quantity | Part No. | Description                               | Finish |
|----------|----------|----------|---|--------|
| 1        | 1        | 050153   | Old Style Hex Dogging Replacement Kit     |        |
| 2        | 1        | 963909   | #22 Hitch Pin - Hex/CD Dogging Old Style  |        |
| 3        | 1        | 968112   | Old Style Hex Dog Shaft                   |        |
| 4        | 1        | 969941   | Old Style Dogging Hook                    |        |
| 5        | 1        | 968116   | Old Style CD Actuator Arm                 |        |
| 6        | 1        | 900905   | Old Style End Cap and Bracket Assembly    | X      |
| 7        | 1        | 970548   | Old Style Cover Plate Stop - End Cap      |        |
| 8        | 1        | 900901   | Old Style End Cap Screw Package           | X      |
| 9        | 1        | 971082   | Old Style 98/99 End Cap - Stainless Steel | X      |
| 9        | 1        | 971083   | Old Style 98/99 End Cap - Brass           | X      |
| 9        | 1        | 971084   | Old Style 98/99 End Cap - Bronze          | X      |
| 9        | 1        | 971085   | Old Style 98/99 End Cap - Aluminum        | X      |

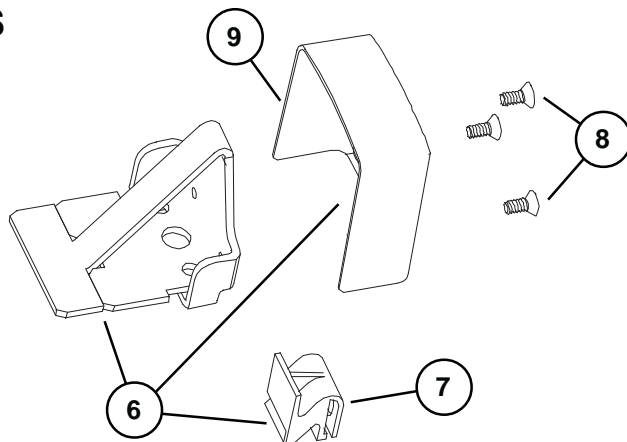
X in "Finish" column designates finished items; finish must be specified when ordering.

### OLD STYLE DOGGING PARTS (FOR DEVICES SHIPPED BEFORE AUGUST 1997)



### OLD STYLE END CAP PARTS (FOR DEVICES SHIPPED BEFORE JANUARY 2002)

**Note:** Newer style end cap kit shown on pages 4-5. Newer style end cap kit can be used on devices manufactured before January 2002, but mechanism case and cover plate on hinge stile must have a square cut and a clean edge.



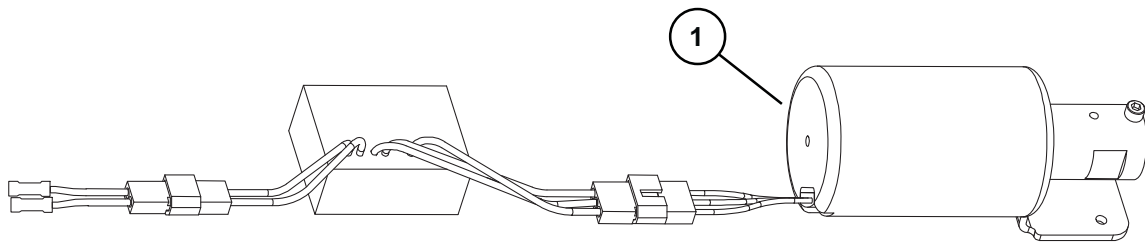
## 98/9947 SERIES SERVICE REPLACEMENT ITEMS

| Item No. | Quantity | Part No. | Description                 | Finish |
|----------|----------|----------|-----------------------------|--------|
| 1        | 1        | 050218   | EL Solenoid Replacement Kit |        |

X in "Finish" column designates finished items; finish must be specified when ordering.

### EL SOLENOID REPLACEMENT KIT (FOR DEVICES SHIPPED BEFORE JANUARY 1987)

**Note:** This kit replaces the old style EL solenoid parts with the new style.

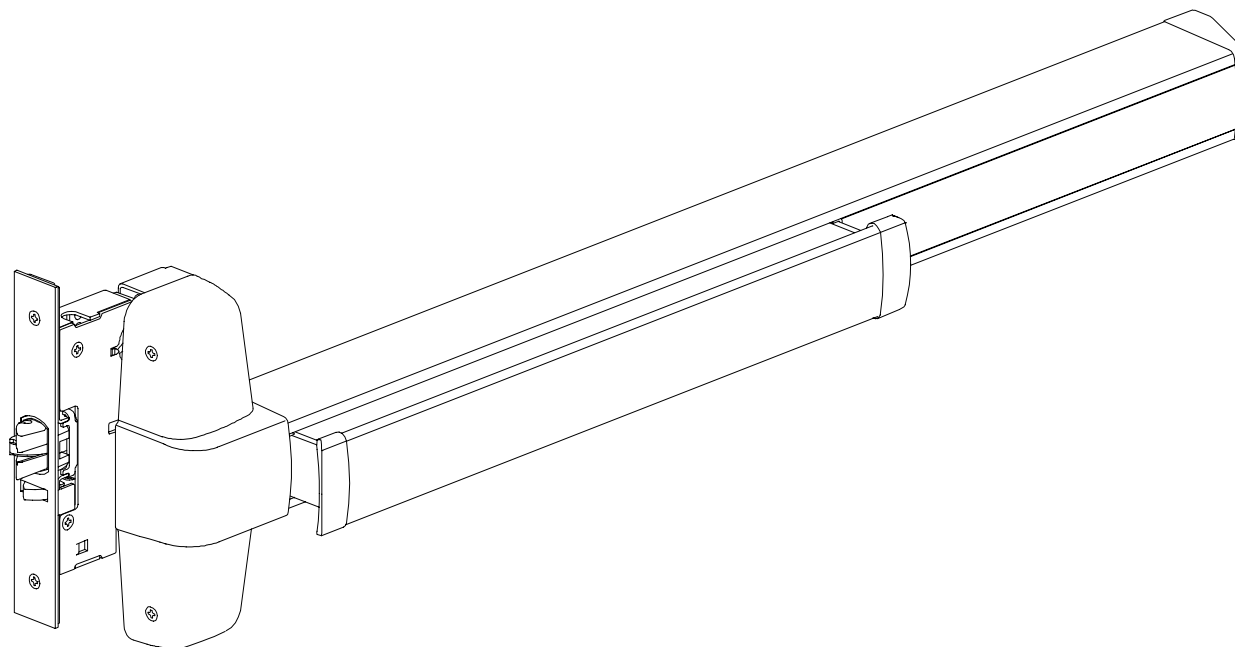


# VON DUPRIN<sup>®</sup>

## PARTS MANUAL

JUNE 2005

### 98/9975 MORTISE LOCK EXIT DEVICES



PM989975\_B  
VD-GN-1033

**IR** Security & Safety<sup>®</sup>  
Proven Source. Proven Solutions.™

Copyright © 2005 Ingersoll-Rand. All rights reserved.

# INDEX

|   |       |
|---|-------|
| 98/9975 Devices                                     |       |
| Basic Panic Device .....                            | 4-5   |
| Basic Fire Device .....                             | 6-7   |
| Baseplate Assemblies .....                          | 8     |
| Center Case Assembly .....                          | 9     |
| <br>  |       |
| Variations of the Basic Device                      |       |
| CD (Cylinder Dogging) .....                         | 4-5   |
| 98/9975-2 Double Cylinder .....                     | 9     |
| HD-EL (Hex Dogging/Electric Latch Retraction) ..... | 10    |
| EL (Electric Latch Retraction) .....                | 11    |
| SS (Signal Switch) .....                            | 11    |
| RX (Request to Exit) .....                          | 12-13 |
| LX (Latch Bolt Monitoring) .....                    | 12-13 |
| CX Chexit .....                                     | 14    |
| ALK Exit Alarm Kit .....                            | 15    |
| 7500 Mortise Lock .....                             | 16-17 |
| E7500 Mortise Lock (F.S.E.) .....                   | 18    |
| E7500 Mortise Lock (F.S.) .....                     | 19    |
| SS7500 Mortise Lock .....                           | 20    |
| <br>  |       |
| Service Replacement Items .....                     | 21-22 |
| <br>  |       |
| General Information                                 |       |
| Introduction .....                                  | 2     |
| How to Order .....                                  | 2     |
| Part Number Changes .....                           | 2     |
| Finishes .....                                      | 3     |
| Outside Trim Functions .....                        | 3     |
| Strikes .....                                       | 3     |

## INTRODUCTION

This manual contains a listing of replaceable parts and assemblies for the 98/9975 Exit Hardware Devices. 98 Series and 99 Series devices are almost identical. The 99 Series has a grooved case; the 98 Series has a smooth case.

## HOW TO ORDER

Some parts are sold separately. Other items are available as part of a kit or multiple quantity package. For the best possible service when ordering replacement parts or assemblies, please provide the following information:

- Part number or assembly number
- Description
- Quantity needed
- Finish desired (if available finished)
- Date of original purchase (if known)

To find out the name of your local Von Duprin distributor or sales representative, contact:

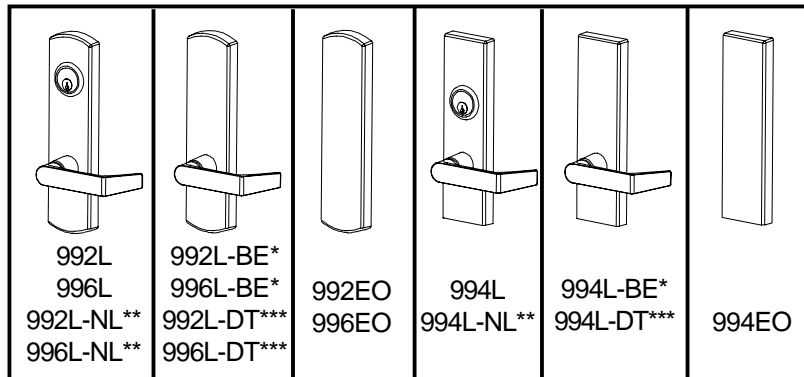
Von Duprin Division  
Ingersoll-Rand Company  
2720 Tobey Drive  
Indianapolis, Indiana 46219  
Phone: (800) 999-0408  
Fax: (800) 999-0328  
Website: [www.vonduprin.com](http://www.vonduprin.com)

## PART NUMBER CHANGES

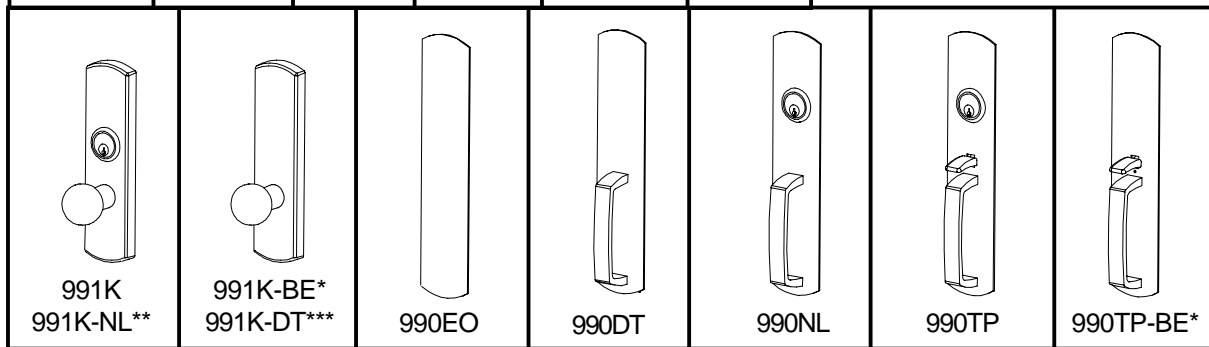
This manual reflects the product as sold in June 2005. Because of changes to the product and/or manufacturing process, part numbers can change.

## 98/99 SERIES FINISHES

### OUTSIDE TRIM FUNCTIONS

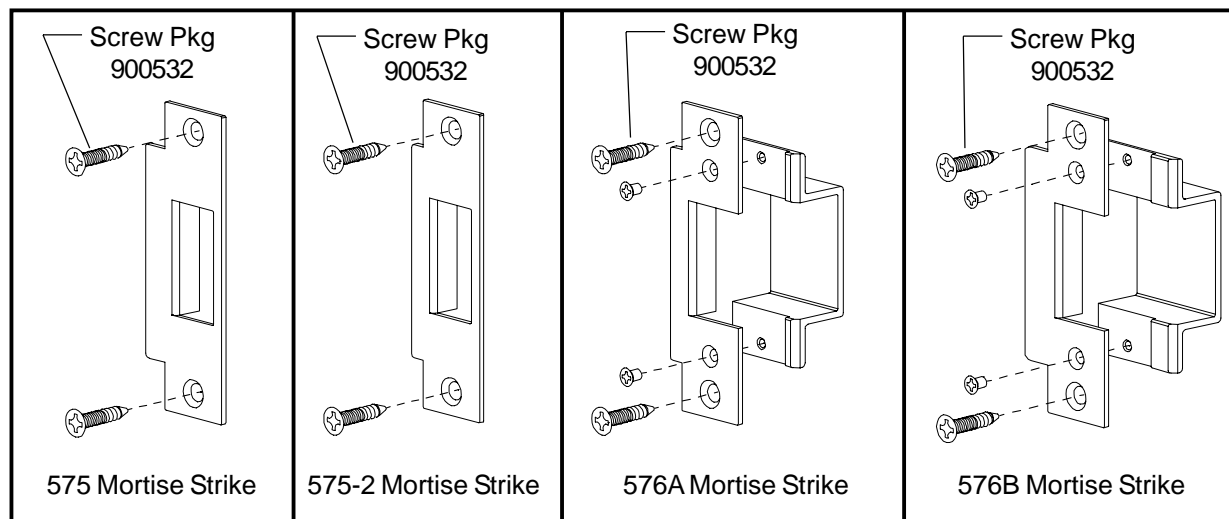


| U.S. Std Reference | BHMA Reference | Description                         |
|--------------------|----------------|-------------------------------------|
| US3                | 605            | Polished Brass                      |
| US4                | 606            | Dull Brass                          |
| US10               | 612            | Dull Bronze                         |
| US15               | 619            | Satin Nickel                        |
| US26               | 625            | Polished Chrome                     |
| US26D              | 626            | Dull Chrome                         |
| US28               | 628            | Anodized Alum. (Clear)              |
| US32D              | 630            | Satin Stainless Steel               |
| 313AN              | 710            | Anodized Alum. (313)<br>Dark Bronze |
| 315AN              | 711            | Anodized Alum. (Black)              |

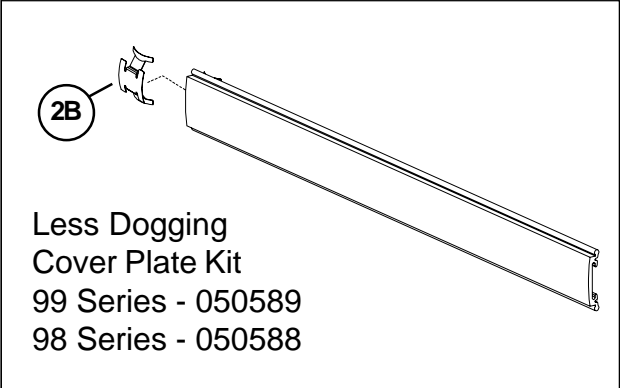
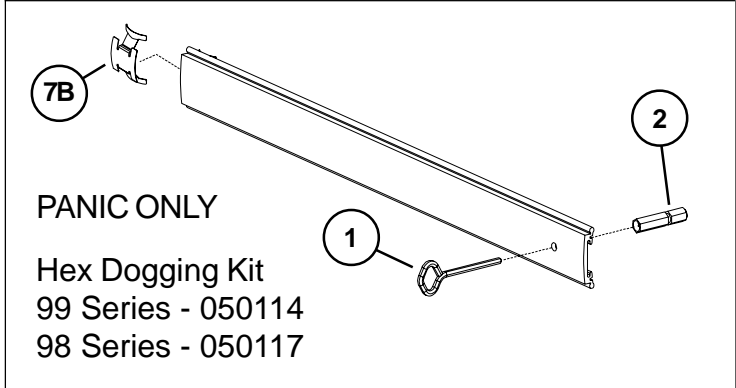
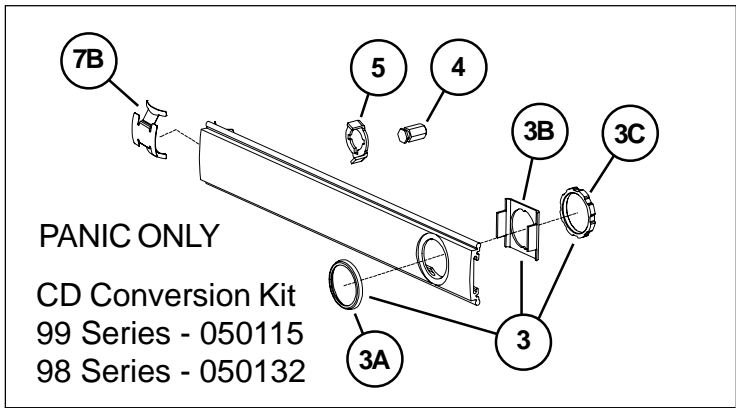
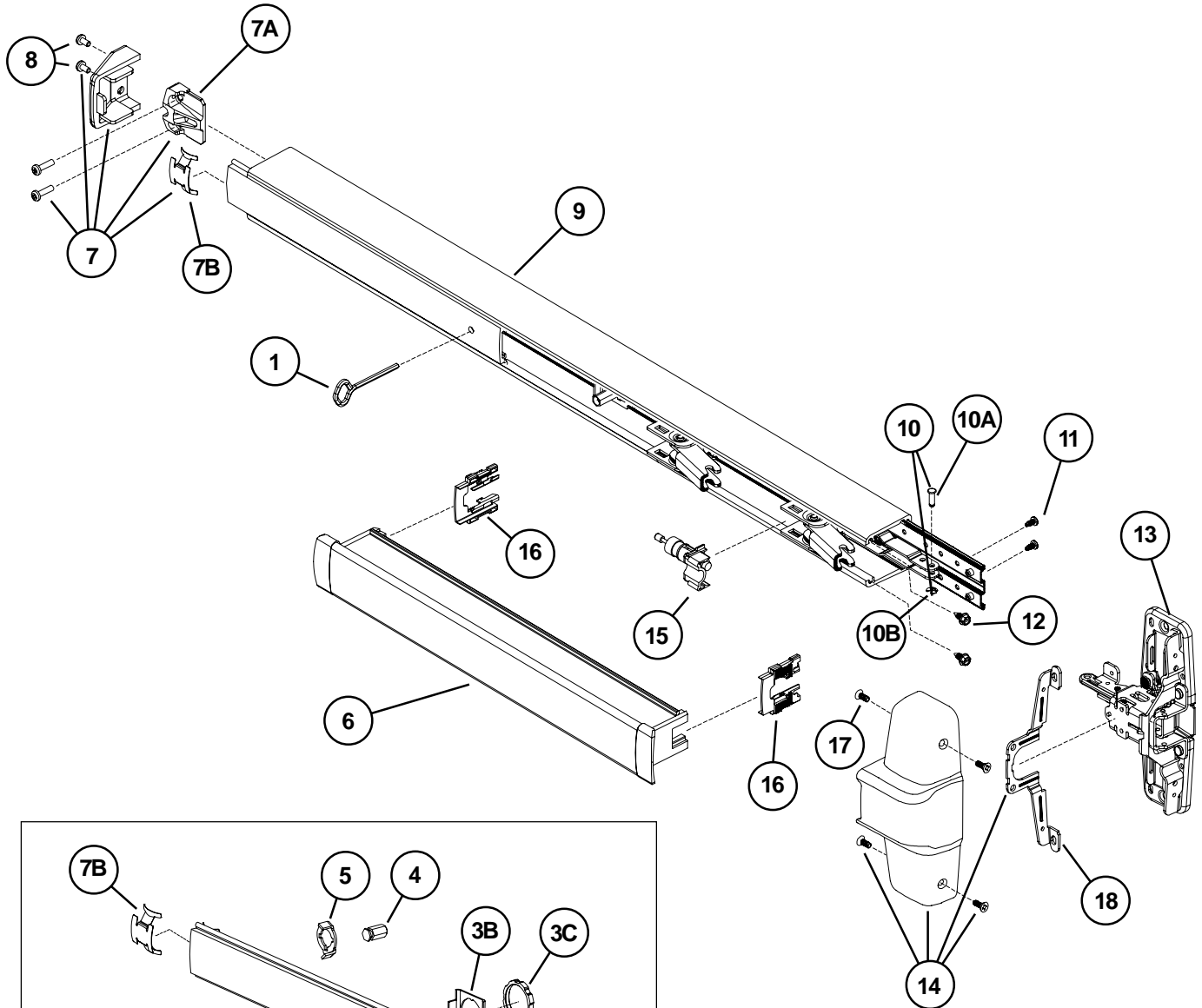


- \* "BE" (Blank Escutcheon) no cylinder used - lever always active
- \*\* "NL" (Night Latch) rigid lever - key retracts latch bolt
- \*\*\* "DT" (Dummy Trim) rigid lever for pull operation
- \*\*\*\* "OP" (Optional Pull) needs to be added

### MORTISE STRIKES



# 98/9975 MORTISE PANIC DEVICE



## 98/9975 MORTISE PANIC DEVICE

| Item No. | Quantity | Part No. | Description                                  | Finish |
|----------|----------|----------|--|--------|
|          | 1        | 900561   | 98/99 Series Mounting Pkg. (1-3/4 & 2-1/4)   |        |
| 1        | 1        | 090085   | 227 Dog Key 5/32" Hex (Pkg of 10)            |        |
| 1        | 1        | 090005   | 227 Dog Key 5/32" Hex (Pkg of 2)             |        |
| 2        | 1        | 090040   | Hex Dog Shaft (Pkg of 2)                     |        |
| 3        | 1        | 107813   | Cylinder Mounting Pkg                        | X      |
| 3A       | 1        | 050525   | Cylinder Collar                              | X      |
| 3B       | 1        | 050490   | Cylinder Locating Washer - CD/SS             |        |
| 3C       | 1        | 050526   | Cylinder Locknut                             |        |
| 4        | 1        | 090046   | CD Dogging Plug (Pkg of 2)                   |        |
| 5        | 1        | 090045   | CD Actuator Arm (Pkg of 2)                   |        |
| 6        | 1        | *PBKIT   | 98/99 Series Push Bar Retrofit Kit - 3' Door | X      |
| 6        | 1        | *PBKIT   | 98/99 Series Push Bar Retrofit Kit - 4' Door | X      |
| 7        | 1        | 050014   | 98/99 Series End Cap Kit                     | X      |
| 7A       | 1        | 050524   | Impact Resistant End Cap Bracket             |        |
| 7B       | 1        | 090036   | Cover Plate Anti-rattle Spring (Pkg of 10)   |        |
| 8        | 1        | 900597   | Device End Cap and C/Case Screw Pkg.         | X      |
| 9        | 1        | 968144   | 99 Series Mechanism Case - 3' Door           | X      |
| 9        | 1        | 968146   | 99 Series Mechanism Case - 4' Door           | X      |
| 9        | 1        | 970191   | 98 Series Mechanism Case - 3' Door           | X      |
| 9        | 1        | 970192   | 98 Series Mechanism Case - 4' Door           | X      |
| 10       | 1        | 050529   | 98/99 Series Control Link Pin & Ret. Ring    |        |
| 10A      | 1        | 090031   | 98/99 Series Control Link Pin (Pkg of 10)    |        |
| 10B      | 1        | 090107   | Retaining Ring (Pkg of 10)                   |        |
| 11       | 2        | 090037   | #8-32 x 3/8" Baseplate Screw (Pkg of 10)     |        |
| 12       | 2        | 090073   | Mechanism Case Bracket Screw (Pkg of 10)     |        |
| 13***    | 1        | 050023   | 98/9975 Center Case Less Cover               |        |
| 14**     | 1        | 050073   | 98/9975 Center Case Cover Kit                | X      |
| 15       | 1        | 050491   | Shock Absorber & Holder Assembly             |        |
| 16       | 2        | 090049   | Push Bar Guide (Pkg of 10)                   |        |
| 17       | 4        | 900892   | Center Case Cover Screws (Pkg of 4)          | X      |
| 18       | 1        | 050564   | Center Case Cover Bracket                    |        |

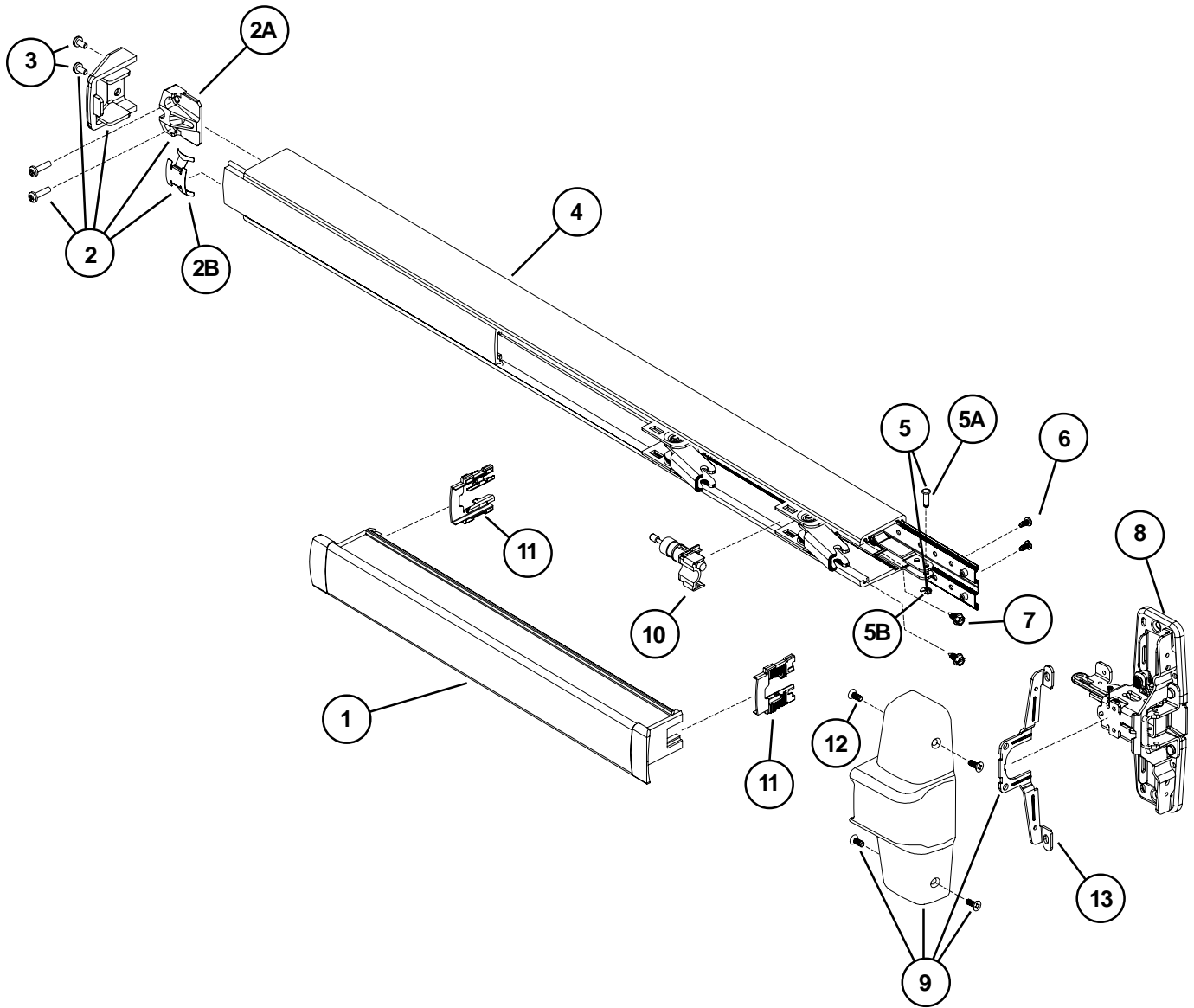
X in "Finish" column designates finished items; finish must be specified when ordering.

\* To order, specify device type, size, and finish. Example: PBKIT 98 3' US28

\*\*Includes parts for three piece cover conversion

\*\*\*Center case assembly parts shown on page 9.

# 98/9975-F FIRE DEVICE



Fire Cover Plate Kit  
 99 Series - 050589  
 98 Series - 050588



## 98/9975-F FIRE DEVICE

| Item No. | Quantity | Part No. | Description                                  | Finish |
|----------|----------|----------|--|--------|
|          | 1        | 900561   | 98/99 Series Mounting Pkg. (1-3/4 & 2-1/4)   |        |
| 1        | 1        | *PBKIT   | 98/99 Series Push Bar Retrofit Kit - 3' Door | X      |
| 1        | 1        | *PBKIT   | 98/99 Series Push Bar Retrofit Kit - 4' Door | X      |
| 2        | 1        | 050014   | 98/99 Series End Cap Kit                     | X      |
| 2A       | 1        | 050524   | Impact Resistant End Cap Bracket             |        |
| 2B       | 1        | 090036   | Cover Plate Anti-rattle Spring (Pkg of 10)   |        |
| 3        | 1        | 900597   | Device End Cap and C/Case Screw Pkg.         | X      |
| 4        | 1        | 968144   | 99 Series Mechanism Case - 3' Door           | X      |
| 4        | 1        | 968146   | 99 Series Mechanism Case - 4' Door           | X      |
| 4        | 1        | 970191   | 98 Series Mechanism Case - 3' Door           | X      |
| 4        | 1        | 970192   | 98 Series Mechanism Case - 4' Door           | X      |
| 5        | 1        | 050529   | 98/99 Series Control Link Pin & Ret. Ring    |        |
| 5A       | 1        | 090031   | 98/99 Series Control Link Pin (Pkg of 10)    |        |
| 5B       | 1        | 090107   | Retaining Ring (Pkg of 10)                   |        |
| 6        | 2        | 090037   | #8-32 x 3/8" Baseplate Screw (Pkg of 10)     |        |
| 7        | 2        | 090073   | Mechanism Case Bracket Screw (Pkg of 10)     |        |
| 8***     | 1        | 050023   | 98/9975 Center Case Less Cover               |        |
| 9**      | 1        | 050073   | 98/9975 Center Case Cover Kit                | X      |
| 10       | 1        | 050491   | Shock Absorber & Holder Assembly             |        |
| 11       | 2        | 090049   | Push Bar Guide (Pkg of 10)                   |        |
| 12       | 4        | 900892   | Center Case Cover Screws (Pkg of 4)          | X      |
| 13       | 1        | 050564   | Center Case Cover Bracket                    |        |

X in "Finish" column designates finished items; finish must be specified when ordering.

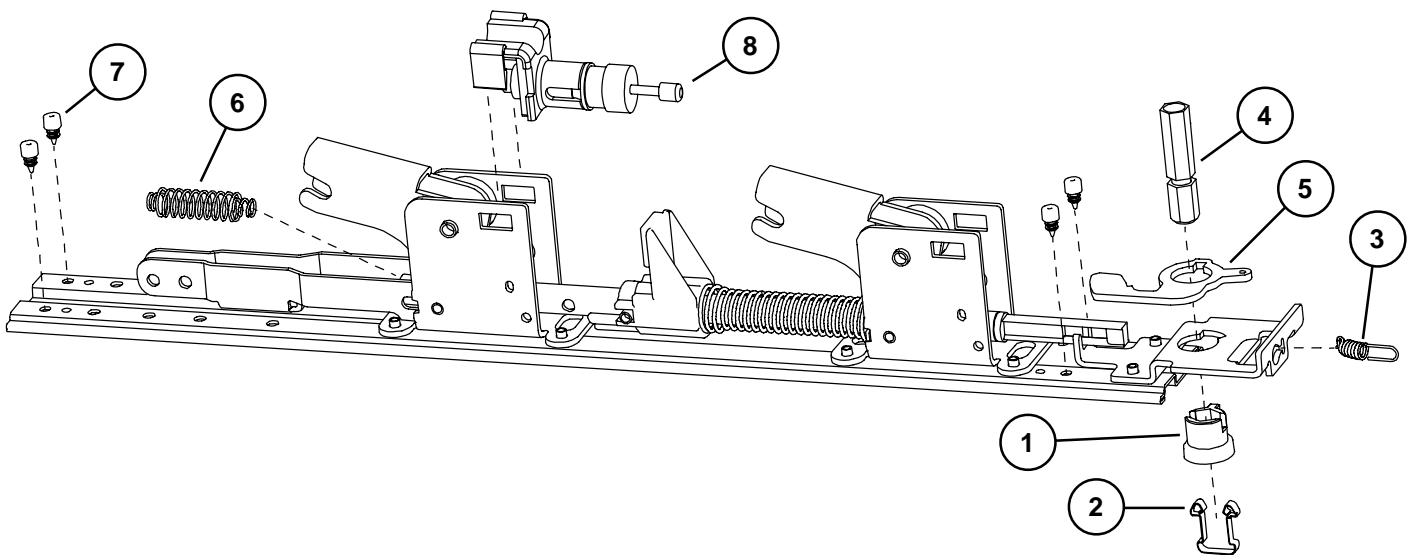
\* To order, specify device type, size, and finish. Example: PBKIT 98 3' US28

\*\*Includes parts for three piece cover conversion

\*\*\*Center case assembly parts shown on page 9.

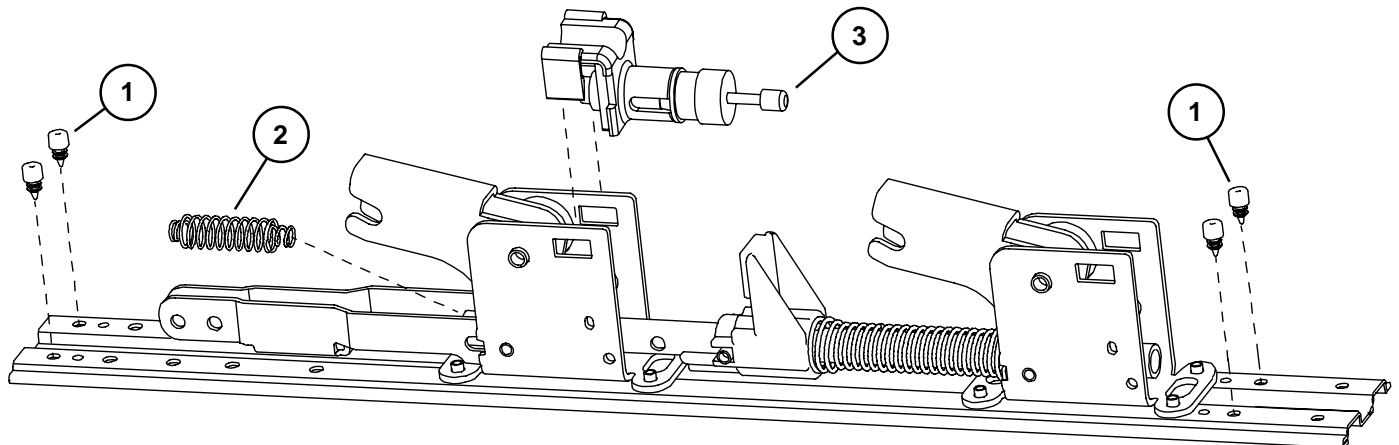
## 98/9975 PANIC DEVICE BASEPLATE ASSEMBLY

| Item No. | Quantity | Part No. | Description                       | Finish |
|----------|----------|----------|-----------------------------------|--------|
| 1        | 1        | 090043   | Dogging adapter (Pkg of 2)        |        |
| 2        | 1        | 090042   | Dogging adapter spring (Pkg of 2) |        |
| 3        | 1        | 090041   | Dogging spring (Pkg of 2)         |        |
| 4        | 1        | 090040   | Hex dogging shaft (Pkg of 2)      |        |
| 5        | 1        | 090044   | Dogging hook (Pkg of 2)           |        |
| 6        | 1        | 090039   | Latch return spring (Pkg of 10)   |        |
| 7        | 4        | 090038   | Rubber bumper (Pkg of 4)          |        |
| 8        | 1        | 050491   | Shock absorber                    |        |



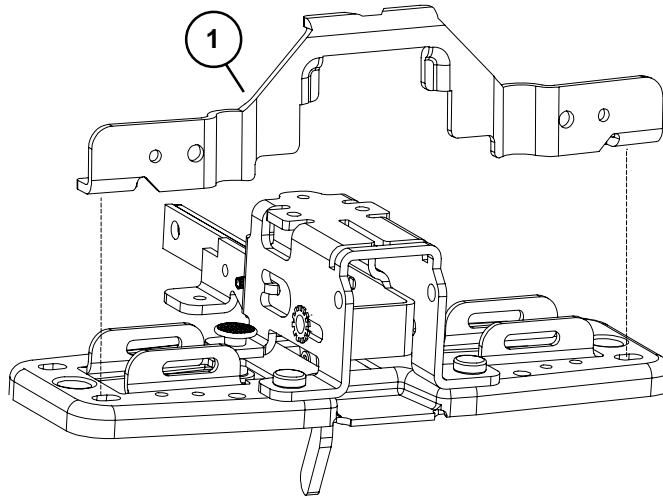
## 98/9975-F FIRE DEVICE BASEPLATE ASSEMBLY

| Item No. | Quantity | Part No. | Description                     | Finish |
|----------|----------|----------|---------------------------------|--------|
| 1        | 4        | 090038   | Rubber bumper (Pkg of 4)        |        |
| 2        | 1        | 090039   | Latch return spring (Pkg of 10) |        |
| 3        | 1        | 050491   | Shock absorber                  |        |



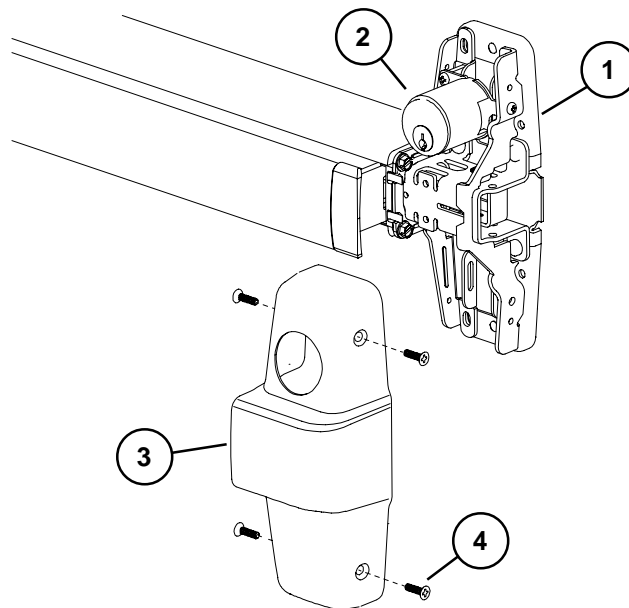
## 98/9975 DEVICE CENTER CASE ASSEMBLY

| Item No. | Quantity | Part No. | Description                     | Finish |
|----------|----------|----------|---------------------------------|--------|
| 1        | 1        | 050565   | Center Case Reinforcing Bracket |        |



## 98/9975-2 & 98/9975-F-2 DOUBLE CYLINDER OPTION

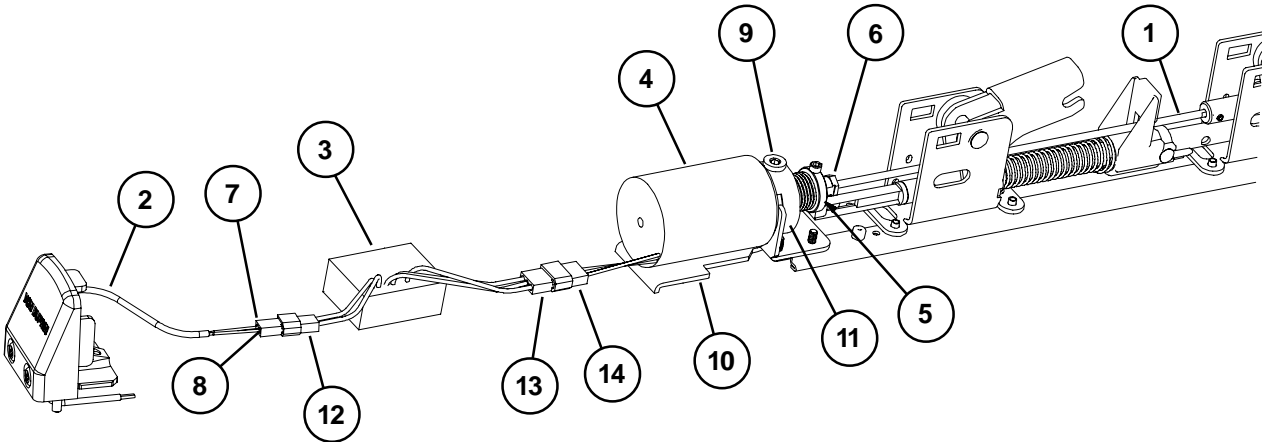
| Item No. | Quantity | Part No. | Description                                | Finish |
|----------|----------|----------|--|--------|
| 1        | 1        | 050029   | 98/9975-2 RHR Center Case Less Cover       |        |
| 1        | 1        | 050030   | 98/9975-2 LHR Center Case Less Cover       |        |
| 2        | 1        | 113100   | 98/99 Rim Double Cyl. Adapter Assembly -LH | X      |
| 2        | 1        | 113101   | 98/99 Rim Double Cyl. Adapter Assembly -RH | X      |
| 3        | 1        | 050557   | 98/9975-2/SD RHR Center Case Cover Kit     | X      |
| 3        | 1        | 050558   | 98/9975-2/SD LHR Center Case Cover Kit     | X      |
| 4        | 4        | 900892   | Center Case Cover Screws (Pkg of 4)        | X      |



# HD-EL9875/HD-EL9975 HEX DOGGING/ELECTRIC LATCH RETRACTION OPTION

| Item No. | Quantity | Part No. | Description                          | Finish |
|----------|----------|----------|--------------------------------------|--------|
| 1        | 1        | 050531   | EL Dogging Rod Kit - 3' Device       |        |
| 1        | 1        | 050532   | EL Dogging Rod Kit - 4' Device       |        |
| 2        | 1        | 110388   | EL 6' Cable and Connector            |        |
| 3        | 1        | 050534   | EL Potted Circuit Breaker            |        |
| 4        | 1        | 050536   | HD-EL Solenoid                       |        |
| 5        | 1        | 050537   | HD-EL Solenoid Plunger               |        |
| 6        | 1        | 050538   | EL Dogging Rod Retainer              |        |
| 7        | 1        | 050539   | EL Receptacle Connector - 2 Position |        |
| 8        | 2        | 050540   | EL Female Terminal                   |        |
| 9        | 1        | 050541   | HD-EL Dog Screw                      |        |
| 10       | 1        | 050542   | HD-EL Solenoid Bracket               |        |
| 11       | 1        | 050543   | HD-EL Dogging Spring                 |        |
| 12       | 1        | 990599   | EL Plug Connector - 2 Position       |        |
| 13       | 1        | 990857   | EL Receptacle Connector - 3 Position |        |
| 14       | 1        | 990858   | EL Plug Connector - 3 Position       |        |
| *        | 1        | 050384   | HD-EL Conversion Kit - 3'            |        |
| *        | 1        | 050385   | HD-EL Conversion Kit - 4'            |        |

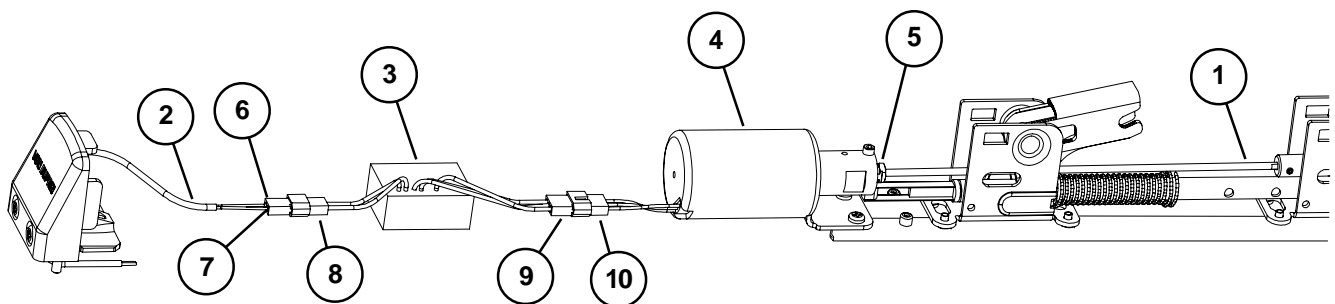
\*Kit includes items 1-11 plus new control link, retaining ring, and baseplate screws.



## EL9875/EL9975 SERIES ELECTRIC LATCH RETRACTION OPTION

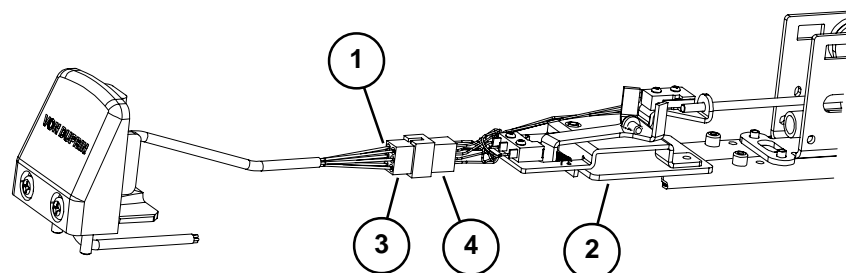
| Item No. | Quantity | Part No. | Description                          | Finish |
|----------|----------|----------|--------------------------------------|--------|
| 1        | 1        | 050531   | EL Dogging Rod Kit - 3' device       |        |
| 1        | 1        | 050532   | EL Dogging Rod Kit - 4' device       |        |
| 2        | 1        | 110388   | EL 6' Cable and Connector            |        |
| 3        | 1        | 050534   | EL Potted Circuit Breaker            |        |
| 4        | 1        | 050535   | EL Solenoid Assembly                 |        |
| 5        | 1        | 050538   | EL Dogging Rod Retainer              |        |
| 6        | 1        | 050539   | EL Receptacle Connector              |        |
| 7        | 2        | 050540   | EL Female Terminal                   |        |
| 8        | 1        | 990599   | EL Plug Connector - 2 Position       |        |
| 9        | 1        | 990857   | EL Receptacle Connector - 3 Position |        |
| 10       | 1        | 990858   | EL Plug Connector - 3 Position       |        |
| *        | 1        | 050070   | EL Conversion Kit - 3'               |        |
| *        | 1        | 050078   | EL Conversion Kit - 4'               |        |

\*Kit includes items 1-7 plus new control link pin, retaining ring, and baseplate screws.

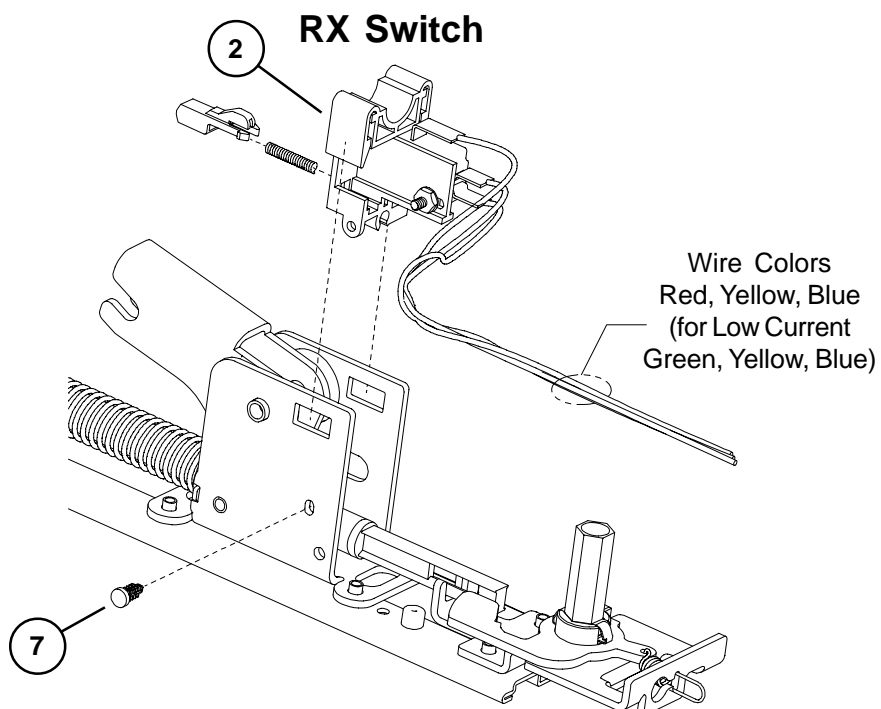
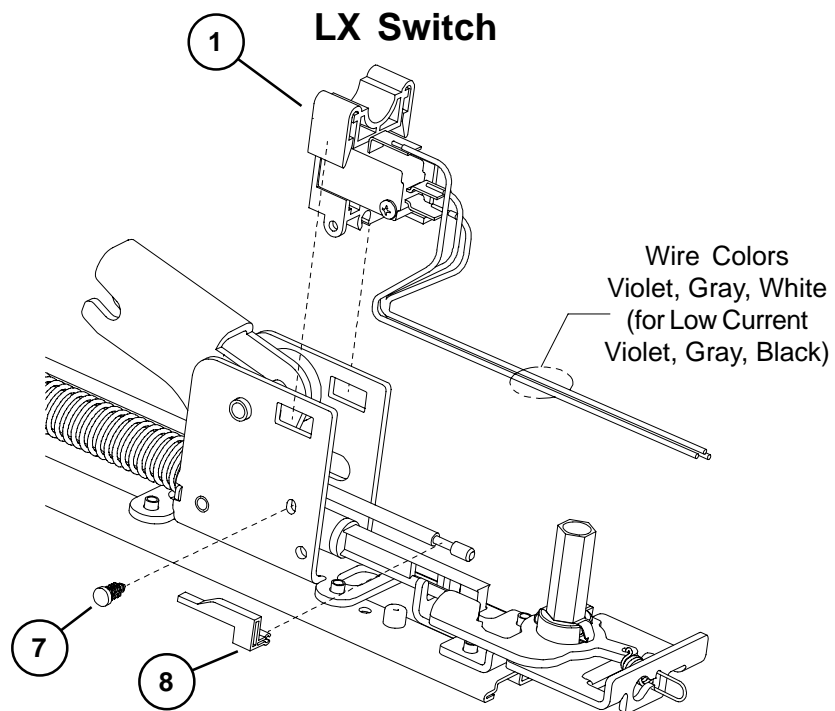


## SS9875/SS9975 SERIES (SIGNAL SWITCH) OPTION

| Item No. | Quantity | Part No. | Description                          | Finish |
|----------|----------|----------|--------------------------------------|--------|
| 1        | 1        | 050544   | SS Cable                             |        |
| 2        | 1        | 050545   | SS Housing                           |        |
| 3        | 1        | 990601   | SS Plug Connector - 6 Position       |        |
| 4        | 1        | 990602   | SS Receptacle Connector - 6 Position |        |

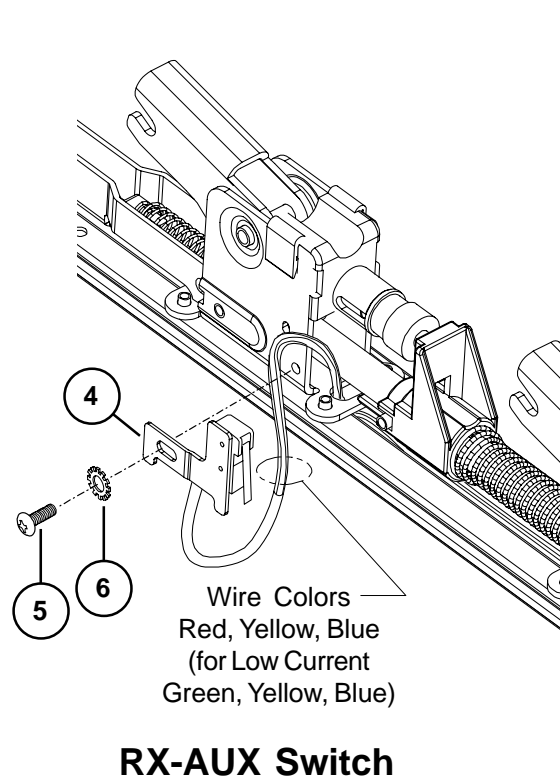
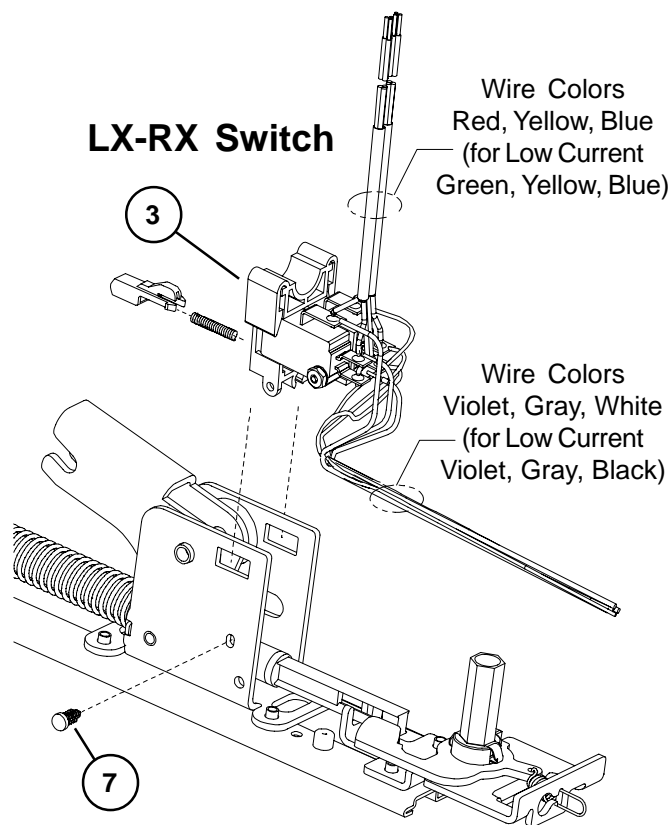


# 98/99 SERIES LX (LATCH BOLT MONITOR) & RX (REQUEST TO EXIT) OPTIONS



# 98/99 SERIES LX (LATCH BOLT MONITOR) & RX (REQUEST TO EXIT) OPTIONS

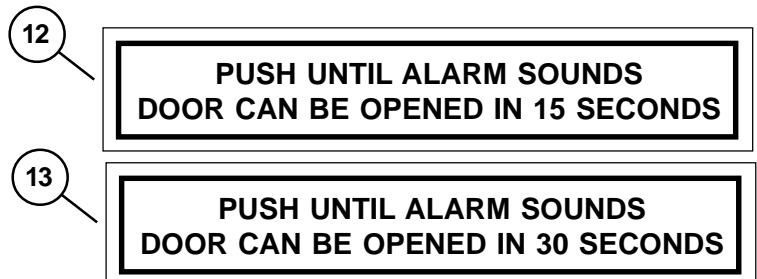
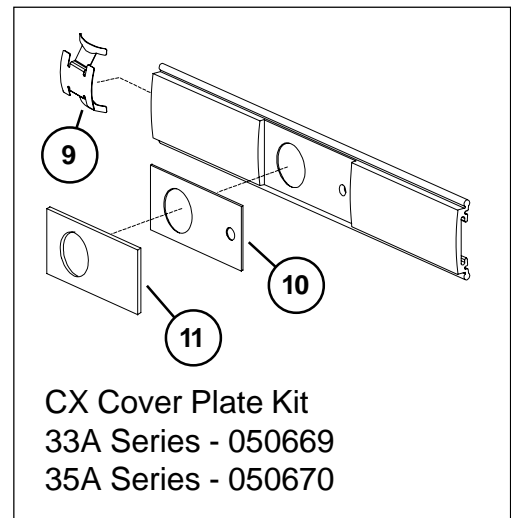
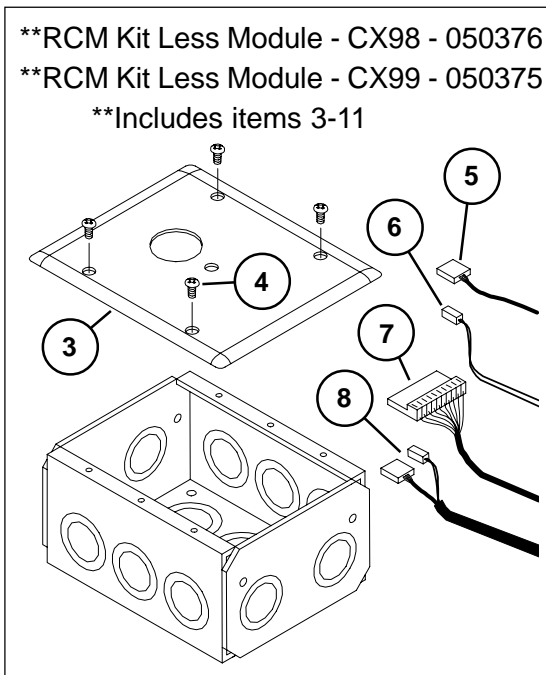
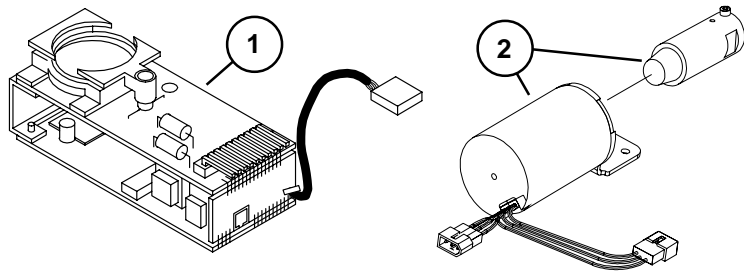
| Item No. | Quantity | Part No. | Description                              | Finish |
|----------|----------|----------|--|--------|
| 1        | 1        | 050254   | LX Switch Kit 3' Device                  |        |
| 1        | 1        | 050255   | LX Switch Kit 4' Device                  |        |
| 1        | 1        | 050247   | LX-EL Switch Kit                         |        |
| 1        | 1        | 050283   | LX-LC (Low Current) Switch Kit 3' Device |        |
| 1        | 1        | 050285   | LX-LC (Low Current) Switch Kit 4' Device |        |
| 1        | 1        | 050287   | LX-LC-EL (Low Current) Switch Kit        |        |
| 2        | 1        | 050251   | RX Switch Kit                            |        |
| 2        | 1        | 050281   | RX-LC (Low Current) Switch Kit           |        |
| 3        | 1        | 050256   | LX-RX Switch Kit 3' Device               |        |
| 3        | 1        | 050257   | LX-RX Switch Kit 4' Device               |        |
| 3        | 1        | 050259   | LX-RX-EL Switch Kit                      |        |
| 3        | 1        | 050289   | LX-RX-LC (Low Current) Sw. Kit 3' Device |        |
| 3        | 1        | 050291   | LX-RX-LC (Low Current) Sw. Kit 4' Device |        |
| 3        | 1        | 050293   | LX-RX-LC-EL (Low Current) Switch Kit     |        |
| 2 & 4    | 1        | 050270   | RX-2 Switch Kit                          |        |
| 4        | 1        | 050271   | RX-AUX Switch Kit                        |        |
| 5        | 1        | 964558   | 8-32 x 5/16" PPHMS                       |        |
| 6        | 1        | 964019   | #8 Washer                                |        |
| 7        | 1        | 090099   | Pine Tree Clip (Pkg of 10)               |        |
| 8        | 1        | 971091   | LX Actuator                              |        |



## CX98/99 SERIES CHEXIT AND CX-RCM OPTION

| Item No. | Quantity | Part No. | Description                                | Finish |
|----------|----------|----------|--|--------|
| 1        | 1        | 050228   | Chexit PCB Kit - 15 Second Release         |        |
| 1*       | 1        | 050700   | Chexit PCB Kit - 30 Second Release         |        |
| 1        | 1        | 050701   | Chexit PCB Kit - 0 Second Release          |        |
| 1        | 1        | 050702   | Chexit PCB Kit - Boca 15 Second Release    |        |
| 1*       | 1        | 050703   | Chexit PCB Kit - Boca 30 Second Release    |        |
| 2        | 1        | 050533   | CX Solenoid and Plunger                    |        |
| 3        | 1        | 113111   | Faceplate and Adapter                      | X      |
| 4        | 4        | 963898   | 6-32 x 3/8" OPHMS Faceplate Screws         | X      |
| 5        | 1        | 991338   | RCM 3 Wire RX Cable                        |        |
| 6        | 1        | 991339   | RCM 2 Wire Solenoid Cable                  |        |
| 7        | 1        | 112018   | Chexit Wiring Assembly                     |        |
| 8        | 1        | 991336   | CX-RCM Cable Assy - 5 Wire                 |        |
| 9        | 1        | 090036   | Cover Plate Anti-rattle Spring (Pkg of 10) |        |
| 10       | 1        | 970513   | LED Cover Mask - Chexit                    |        |
| 11       | 1        | 970519   | LED Cover - Chexit                         |        |
| 12       | 1        | 113781   | Sign 15 Second - Chexit                    |        |
| 13       | 1        | 113782   | Sign 30 Second - Chexit                    |        |

**\*Over 15 seconds delay requires a letter of approval from authority having local jurisdiction.  
Fax letter in with sales order. The order cannot be processed without the letter.**

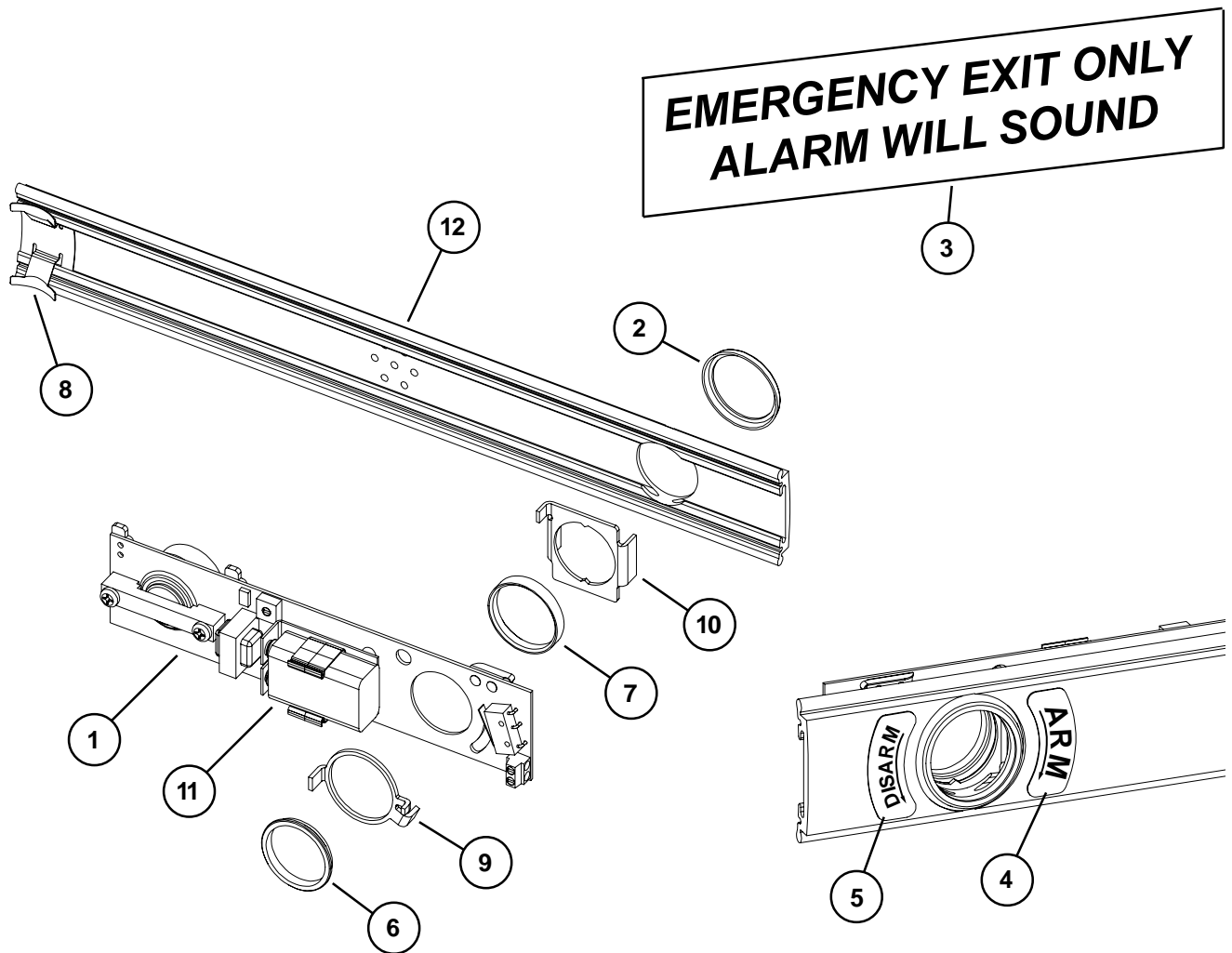




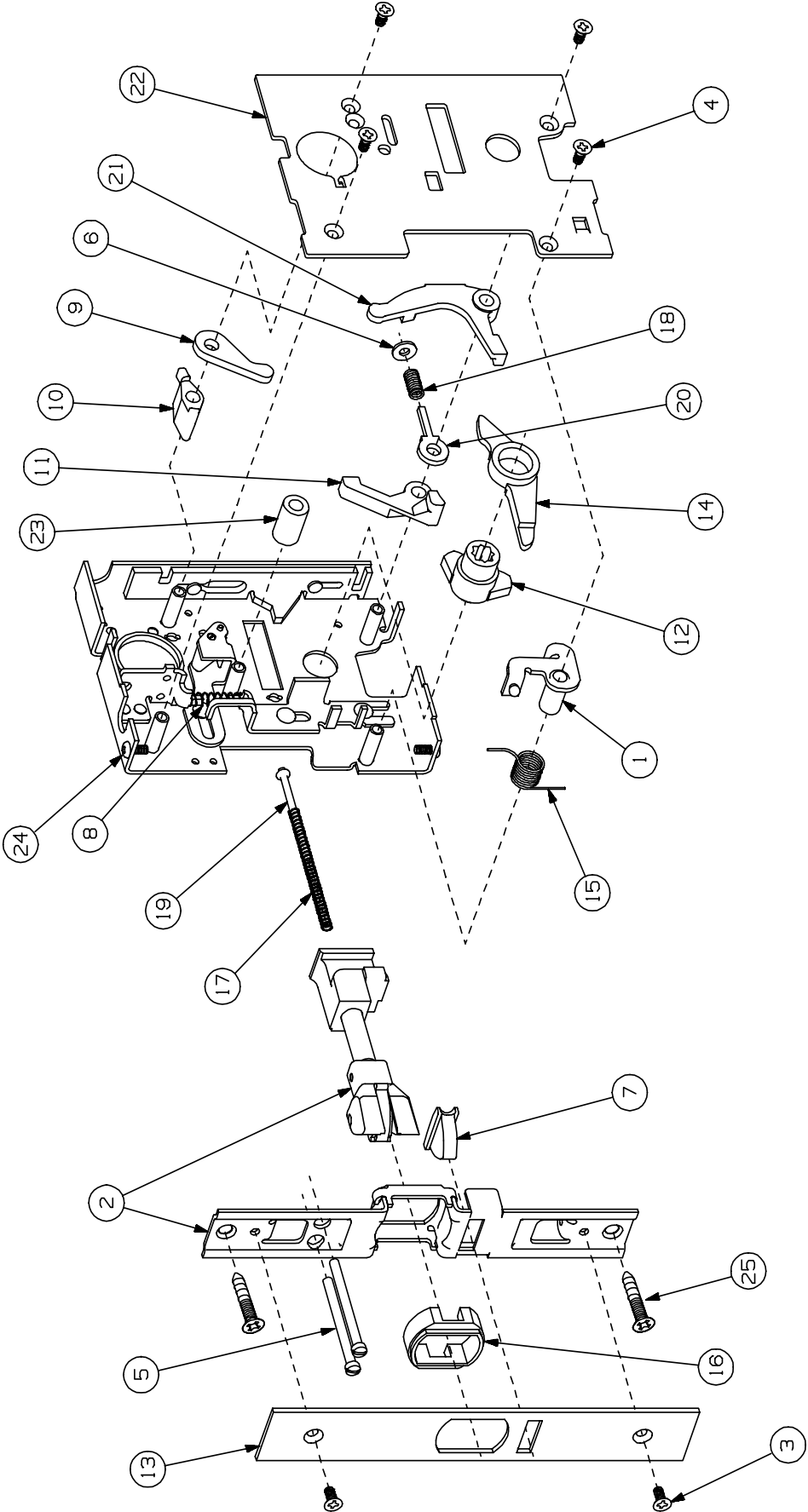
# 98/99 ALK EXIT ALARM KIT

| Item No. | Quantity | Part No. | Description                                | Finish |
|----------|----------|----------|--|--------|
| 1        | 1        | 111795   | ALK PCB Assembly                           |        |
| 2        | 1        | 050525   | Cylinder Collar                            | X      |
| 3        | 1        | 969122   | ALK Alarm Device Sign                      |        |
| 4        | 1        | 969349   | ALK Arming Label                           |        |
| 5        | 1        | 969350   | ALK Disarming Label                        |        |
| 6        | 1        | 969354   | Retainer Nut                               |        |
| 7        | 1        | 970594   | ALK Cylinder Spacer                        |        |
| 8        | 1        | 090036   | Cover Plate Anti-rattle spring (Pkg of 10) |        |
| 9        | 1        | 971556   | ALK Switch Actuator                        |        |
| 10       | 1        | 971557   | ALK Cylinder Bracket                       |        |
| 11       | 1        | 990637   | ALK Battery                                |        |
| 12       | 1        | 050569   | 99 Series ALK Cover Plate Kit              | X      |
| 12       | 1        | 050570   | 98 Series ALK Cover Plate Kit              | X      |

X in "Finish" column designates finished items; finish must be specified when ordering.



# 7500 MORTISE LOCK



## 7500 MORTISE LOCK

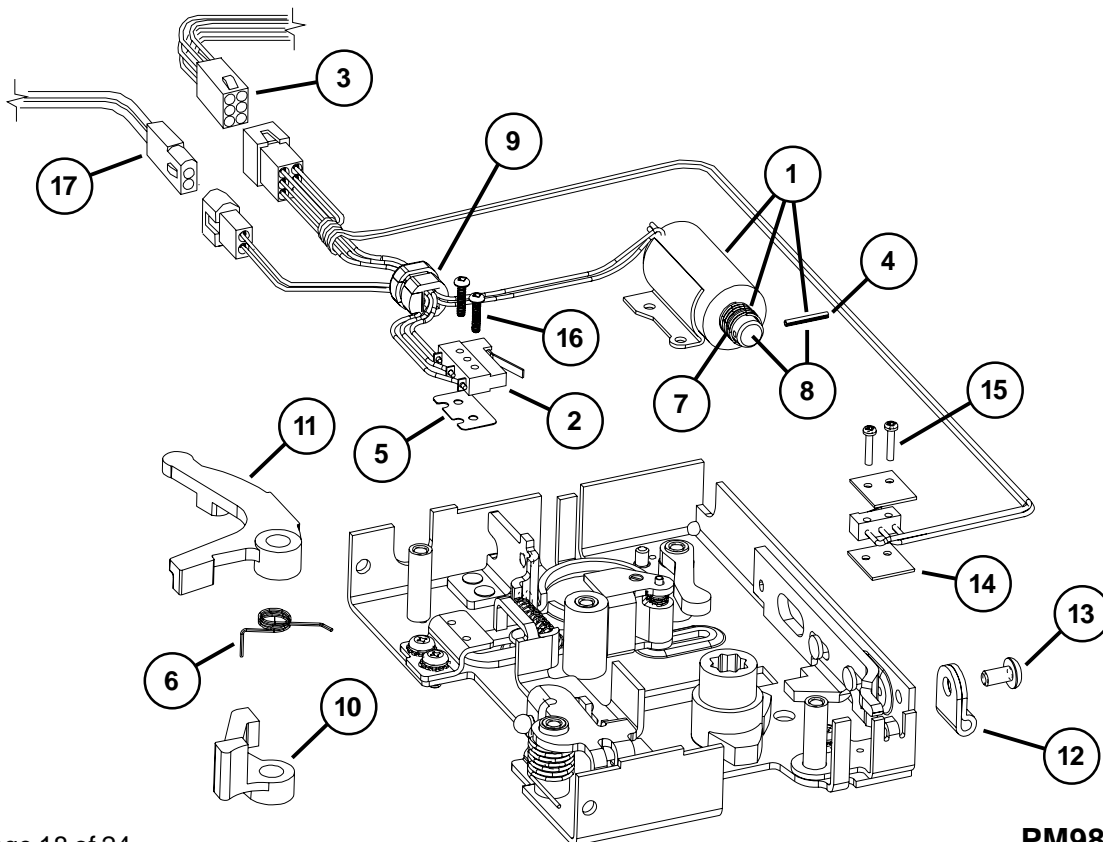
| Item No. | Quantity | Part No. | Description                               | Finish |
|----------|----------|----------|---|--------|
| 1        | 1        | 109347   | 7500 Auxiliary Bolt Link Sub-Assembly     |        |
| 2        | 1        | 109773   | 7500 Latchbolt and Faceplate Sub-Assembly |        |
| 3        | 2        | 963080   | 7500 Scalp Plate - 8-32 x 3/8" FPHMS      | X      |
| 4        | 4        | 963812   | 7500 Hsg. Cover - 8-32 x 3/8" UFPHMS      |        |
| 5        | 2        | 963954   | 7500 Cyl. Set - 8-32 x 2" Fill SHMS       |        |
| 6        | 1        | 963984   | #8 SAE Flat Washer                        |        |
| 7        | 1        | 968668   | 7500 Auxiliary Bolt                       |        |
| 8        | 1        | 968748   | 7500 Deadlocking Spring                   |        |
| 9        | 1        | 968761   | 7500 Trim Bolt Retractor                  |        |
| 10       | 1        | 968762   | 7500 Trim Lock Actuator                   |        |
| 11       | 1        | 968763   | 7500 Thumb Latch Lift                     |        |
| 12       | 1        | 968765   | 7500 Knob Cam                             |        |
| 13       | 1        | 968766   | 7500 Scalp Plate - Aluminum               | X      |
| 13       | 1        | 970872   | 7500 Scalp Plate - Brass                  | X      |
| 13       | 1        | 970873   | 7500 Scalp Plate - Bronze                 | X      |
| 14       | 1        | 968773   | 7500 Deadlock Release Arm                 |        |
| 15       | 1        | 968935   | 7500 Auxiliary Bolt Spring                |        |
| 16       | 1        | 968939   | 7500 Latchbolt Collar                     |        |
| 17       | 1        | 969089   | 7500 Latch Return Spring                  |        |
| 18       | 1        | 969364   | 7500 Trim Lock Slide Spring               |        |
| 19       | 1        | 969610   | 7500 Latch Return Spring Guide            |        |
| 20       | 1        | 970188   | 7500 Trim Lock Spring Guide               |        |
| 21       | 1        | 970318   | 7500 Crossbar Input Arm                   |        |
| 22       | 1        | 971822   | 7500 Housing Cover                        |        |
| 23       | 1        | 970735   | 7500 Stem Support                         |        |
| 24       | 2        | 964390   | 8-32 x 3/8" PPHTF Screw                   |        |
| 25       | 2        | 900532   | 7500 Lock Mounting Pkg                    |        |

X in "Finish" column designates finished items; finish must be specified when ordering.

## E7500 MORTISE LOCK FAIL SECURE (F.S.E)

| Item No. | Quantity | Part No. | Description                              | Finish |
|----------|----------|----------|--|--------|
| 1        | 1        | 050212   | E7500 Solenoid Replacement Kit 12VDC FSE |        |
| 1        | 1        | 050214   | E7500 Solenoid Replacement Kit 24VDC FSE |        |
| 2*       | 1        | 050294   | E7500 Switch Kit                         |        |
| 3        | 1        | 110744   | E7500 Switch Connector Assembly          |        |
| 4        | 1        | 963974   | E7500 Roll Pin - 3/32 x 9/16"            |        |
| 5        | 1        | 968770   | E/SS 7500 Switch Insulator               |        |
| 6        | 1        | 969107   | E7500 Torsion Spring                     |        |
| 7        | 1        | 971320   | E7500 Solenoid Spring                    |        |
| 8        | 1        | 113186   | E7500 Plunger Assembly FSE               |        |
| 9        | 1        | 966504   | Wire Strain Relief                       |        |
| 10       | 1        | 970866   | E7500 Thumb Latch Lift                   |        |
| 11       | 1        | 970318   | 7500 Crossbar Input Arm                  |        |
| 12       | 1        | 970596   | E7500 Cable Clamp                        |        |
| 13       | 1        | 964558   | E7500 Cable Clamp Screw                  |        |
| 14       | 2        | 970868   | E7500 Switch Insulator                   |        |
| 15       | 2        | 964393   | E7500 Switch Insulator Screw             |        |
| 16       | 2        | 964269   | E7500 Switch Wiring Assembly Screw       |        |
| 17       | 1        | 114140   | Hook Up Wire Assembly                    |        |

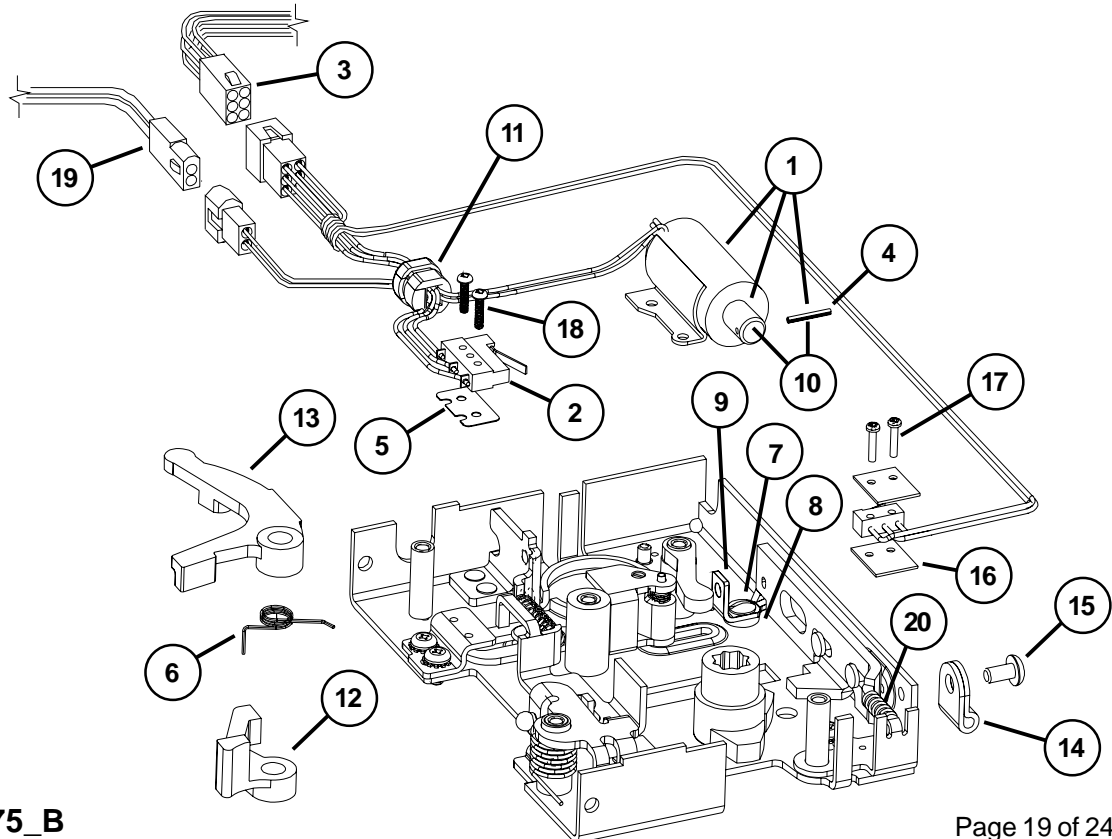
\* Kit includes items 2 and 16 plus the switch wiring assembly (red/yellow/blue wires), switch assembly (white/gray/violet wires) and connectors.



## E7500 MORTISE LOCK FAIL SECURE (F.S.)

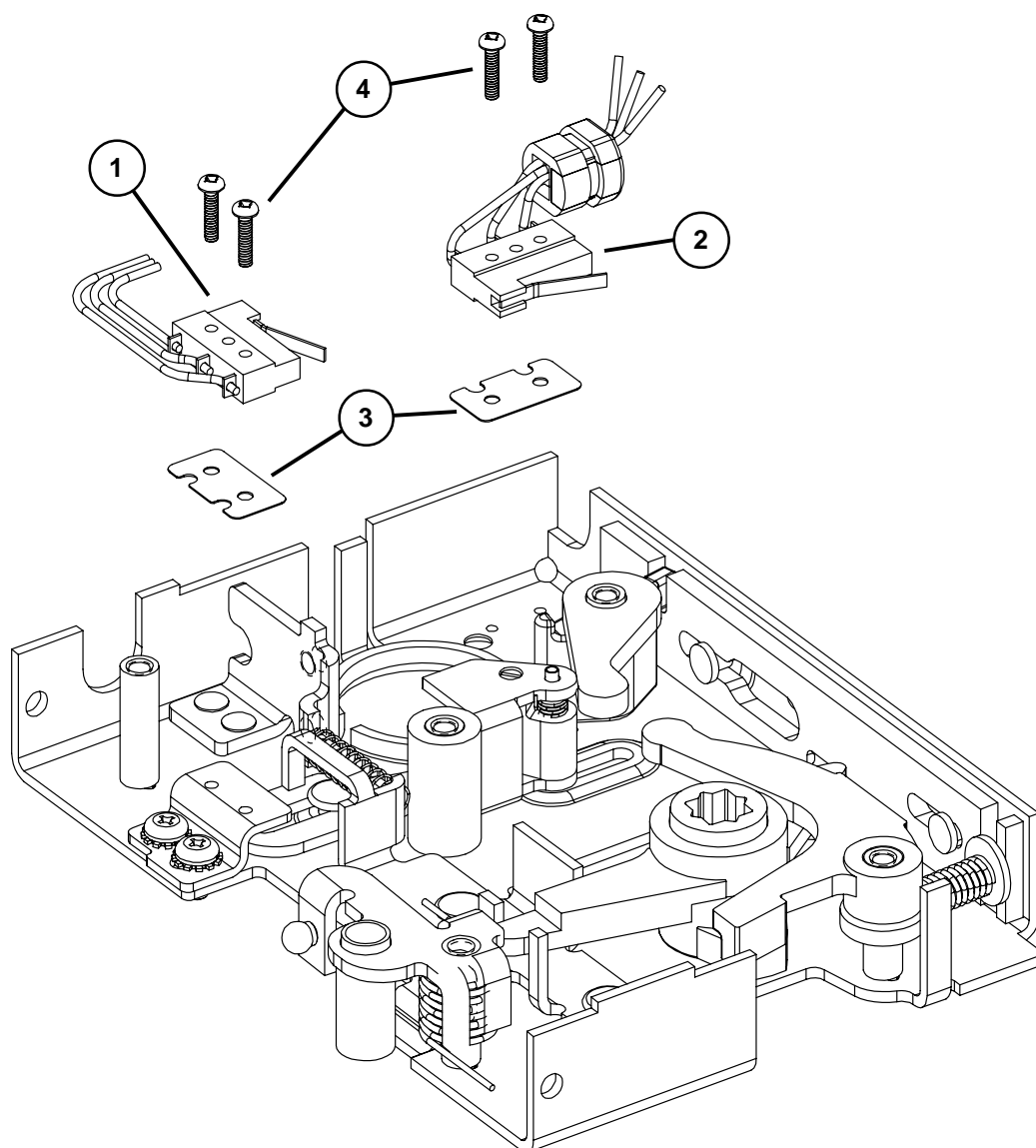
| Item No. | Quantity | Part No. | Description                             | Finish |
|----------|----------|----------|---|--------|
| 1        | 1        | 050213   | E7500 Solenoid Replacement Kit 12VDC FS |        |
| 1        | 1        | 050215   | E7500 Solenoid Replacement Kit 24VDC FS |        |
| 2*       | 1        | 050294   | Switch Wiring Assembly (R/Y/B Wires)    |        |
| 3        | 1        | 110744   | E7500 Switch Connector Assembly         |        |
| 4        | 1        | 963974   | E7500 Roll Pin - 3/32 x 9/16"           |        |
| 5        | 1        | 968770   | E/SS 7500 Switch Insulator              |        |
| 6        | 1        | 969107   | E7500 Torsion Spring                    |        |
| 7        | 1        | 970861   | E7500 Lever Screw                       |        |
| 8        | 1        | 970862   | E7500 Lever Spacer                      |        |
| 9        | 1        | 972549   | E7500 FS Trim Lock Lever                |        |
| 10       | 1        | 113187   | E7500 Plunger Assembly FS               |        |
| 11       | 1        | 966504   | Wire Strain Relief                      |        |
| 12       | 1        | 970866   | E7500 Thumb Latch Lift                  |        |
| 13       | 1        | 970318   | 7500 Crossbar Input Arm                 |        |
| 14       | 1        | 970596   | E7500 Cable Clamp                       |        |
| 15       | 1        | 964558   | E7500 Cable Clamp Screw                 |        |
| 16       | 2        | 970868   | E7500 Switch Insulator                  |        |
| 17       | 2        | 964393   | E7500 Switch Insulator Screw            |        |
| 18       | 2        | 964269   | E7500 Switch Wiring Assembly Screw      |        |
| 19       | 1        | 114140   | Hook Up Wire Assembly                   |        |
| 20       | 1        | 970546   | E7500 Trim Lock Slide Spring FS         |        |

\* Kit includes items 3 and 18 plus the switch wiring assembly (red/yellow/blue wires), switch assembly (white/gray/violet wires) and connectors.



## SS7500 MORTISE LOCK

| Item No. | Quantity | Part No. | Description                          | Finish |
|----------|----------|----------|--------------------------------------|--------|
| 1        | 1        | 109658   | Switch Wiring Assembly (R/Y/B Wires) |        |
| 2        | 1        | 109659   | Switch Wiring Assembly (V/G/W Wires) |        |
| 3        | 2        | 968770   | E/SS 7500 Switch Insulator           |        |
| 4        | 4        | 964299   | SS7500 Switch Wiring Assembly Screws |        |

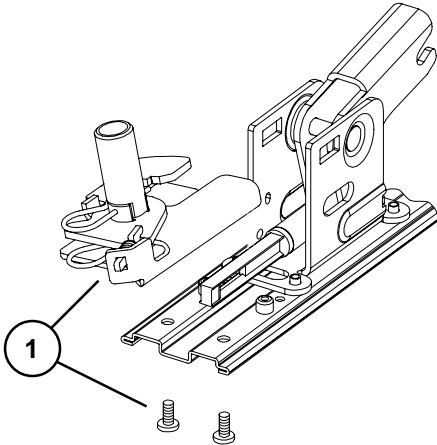
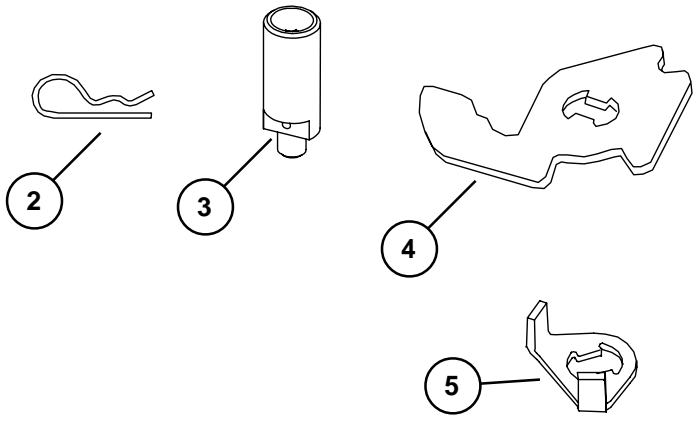


## 98/99 SERIES SERVICE REPLACEMENT ITEMS

| Item No. | Quantity | Part No. | Description                               | Finish |
|----------|----------|----------|---|--------|
| 1        | 1        | 050153   | Old Style Hex Dogging Replacement Kit     |        |
| 2        | 1        | 963909   | #22 Hitch Pin - Hex/CD Dogging Old Style  |        |
| 3        | 1        | 968112   | Old Style Hex Dog Shaft                   |        |
| 4        | 1        | 969941   | Old Style Dogging Hook                    |        |
| 5        | 1        | 968116   | Old Style CD Actuator Arm                 |        |
| 6        | 1        | 900905   | Old Style End Cap and Bracket Assembly    | X      |
| 7        | 1        | 970548   | Old Style Cover Plate Stop - End Cap      |        |
| 8        | 1        | 900901   | Old Style End Cap Screw Package           | X      |
| 9        | 1        | 971082   | Old Style 98/99 End Cap - Stainless Steel | X      |
| 9        | 1        | 971083   | Old Style 98/99 End Cap - Brass           | X      |
| 9        | 1        | 971084   | Old Style 98/99 End Cap - Bronze          | X      |
| 9        | 1        | 971085   | Old Style 98/99 End Cap - Aluminum        | X      |

X in "Finish" column designates finished items; finish must be specified when ordering.

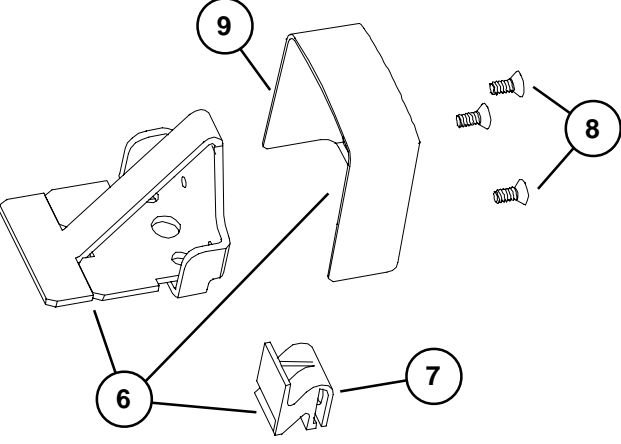
### OLD STYLE DOGGING PARTS (FOR DEVICES SHIPPED BEFORE AUGUST 1997)

---

### OLD STYLE END CAP PARTS (FOR DEVICES SHIPPED BEFORE JANUARY 2002)

**Note:** Newer style end cap kit shown on pages 4-5. Newer style end cap kit can be used on devices manufactured before January 2002, but mechanism case and cover plate on hinge stile must have a square cut and a clean edge.



## 98/99 SERIES SERVICE REPLACEMENT ITEMS

| Item No. | Quantity | Part No. | Description                 | Finish |
|----------|----------|----------|-----------------------------|--------|
| 1        | 1        | 050218   | EL Solenoid Replacement Kit |        |

X in "Finish" column designates finished items; finish must be specified when ordering.

### EL SOLENOID REPLACEMENT KIT (FOR DEVICES SHIPPED BEFORE JANUARY 1987)

**Note:** This kit replaces the old style EL solenoid parts with the new style.

