

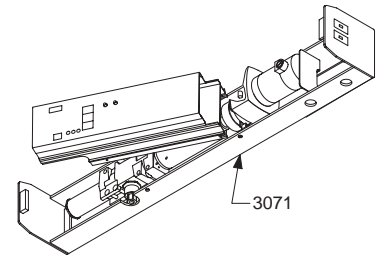
LCN 4640 SERIES "Auto-Equalizer"

Cylinder Assemblies

4642-3071 Cylinder Assembly F, S
Includes 4642-3971, 4640-3018, & -3462
Cylinder is adjustable size 2-5

Individual Cylinder Parts

Individual cylinder parts for 4642-3071
 4642-3971 Cylinder Only F, S
Does not include any other components
Cylinder is adjustable size 2-5



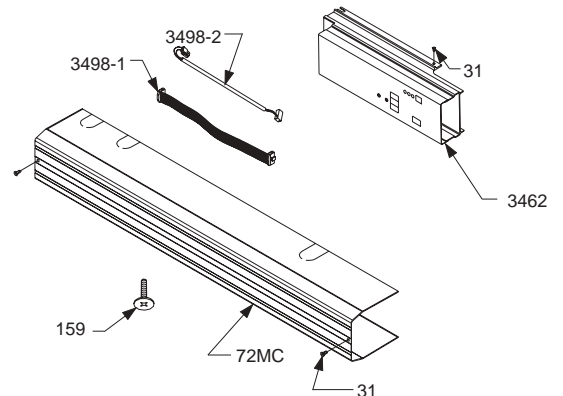
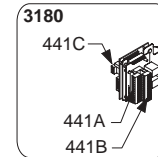
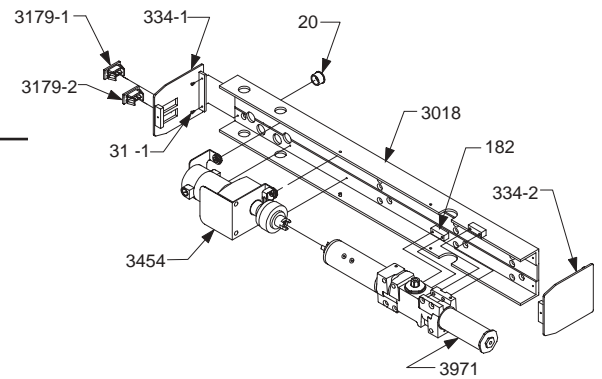
Mounting Plate Assemblies

4640-3018 Mounting Plate Assembly
Includes 4640-20, -182(2), -334-1, -334-2, -3179-1, -3179-2, -3180, & -3454

Individual Parts

Individual parts for 4642-3071, & -3018

4640-20	Conduit Cover	F
4640-31	Controller Screw	F
4640-31-1	End Cap screw	F
4640-159	Arm Screw	F
4640-182	Stand-off	
4640-334-1	Switch End Cap	
	<i>Includes 4640-31-1 (2)</i>	
4640-334-2	Blank End Cap	
	<i>Includes 4640-31-1 (2)</i>	
4640-441A	Connector Plug (1-12)	
4640-441B	Connector Plug (13-24)	
4640-441C	A/C Power Plug	
4640-3179-1	On/Off Switch Assembly	
4640-3179-2	Hold Open Switch Assembly	
4640-3180	I/O Board Assembly	
	<i>Includes 4640-441A, -441B, & -441C</i>	
4640-3454	Motor/Clutch Assembly	
4640-3462	Controller Assembly	
	<i>Includes 4640-31 (1)</i>	
4640-3498-1	Ribbon Cable Connector	
4640-3498-2	A/C Power Cable	



Cover

4640-72MC Metal Cover F
Includes 4640-31(2)

Individual Cover Parts

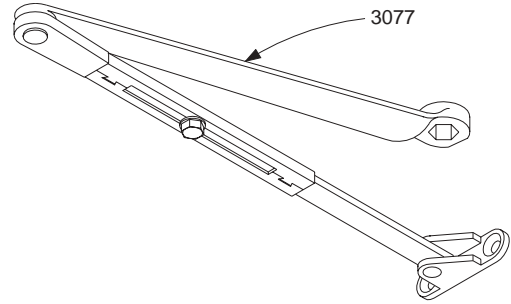
Individual cover parts for 4640-72MC
 4640-31 Cover Screw F

Please specify finish (F), size (S), hand (H), & voltage (V) where indicated. See the latest edition of the LCN Catalog for part descriptions and specifications on many of the items shown above. List prices for items shown above can be located in the current LCN Price List.

LCN 4640 SERIES "Auto-Equalizer"

Complete Arm Assemblies

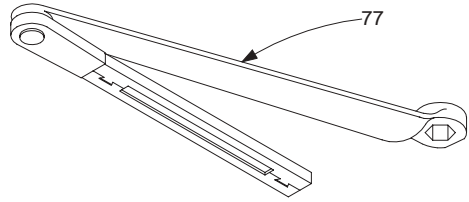
4640-3077	Regular Arm	F
	<i>Includes 4640-77, -79, -83, & -159</i>	
4640-3077L	Long Arm	F
	<i>Includes 4640-77, -79L, -83, & -159</i>	



Individual Arm Parts

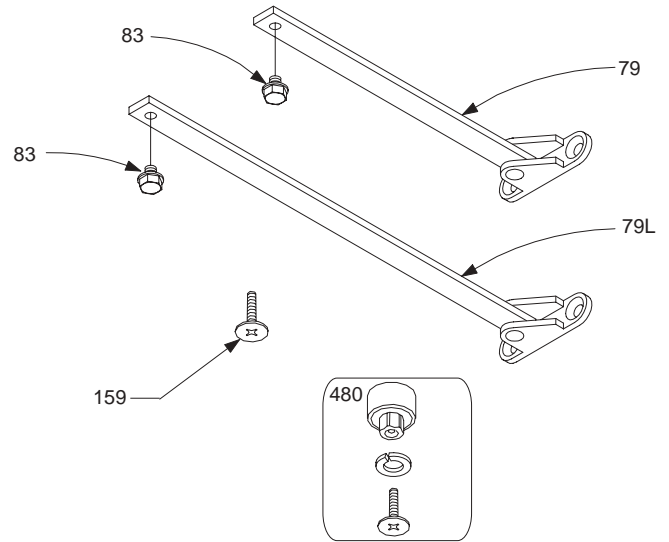
Individual arm parts for 4640-3077 & 3077L

4640-77	Arm & Forearm	F
	<i>Includes 4640-159</i>	
4640-79	Rod & Shoe	F
	<i>Includes 4640-83</i>	
4640-79LR	Long Rod & Shoe	F
	<i>Includes 4640-83</i>	
4640-83	Arm Screw	F
4640-159	Arm Screw	F
4640-480	Shaft Extension	
	<i>Includes 4640-159, lock washer & extension</i>	



Installations Accessories

4640-155-1	AE Door Decal <i>(Black/ Yellow Caution decal)</i>
4640-155-2	Door Decal <i>(Blue/White Switch decal)</i>



155-1



155-2

Please specify finish (F), size (S), hand (H), & voltage (V) where indicated. See the latest edition of the LCN Catalog for part descriptions and specifications on many of the items shown above. List prices for items shown above can be located in the current LCN Price List.