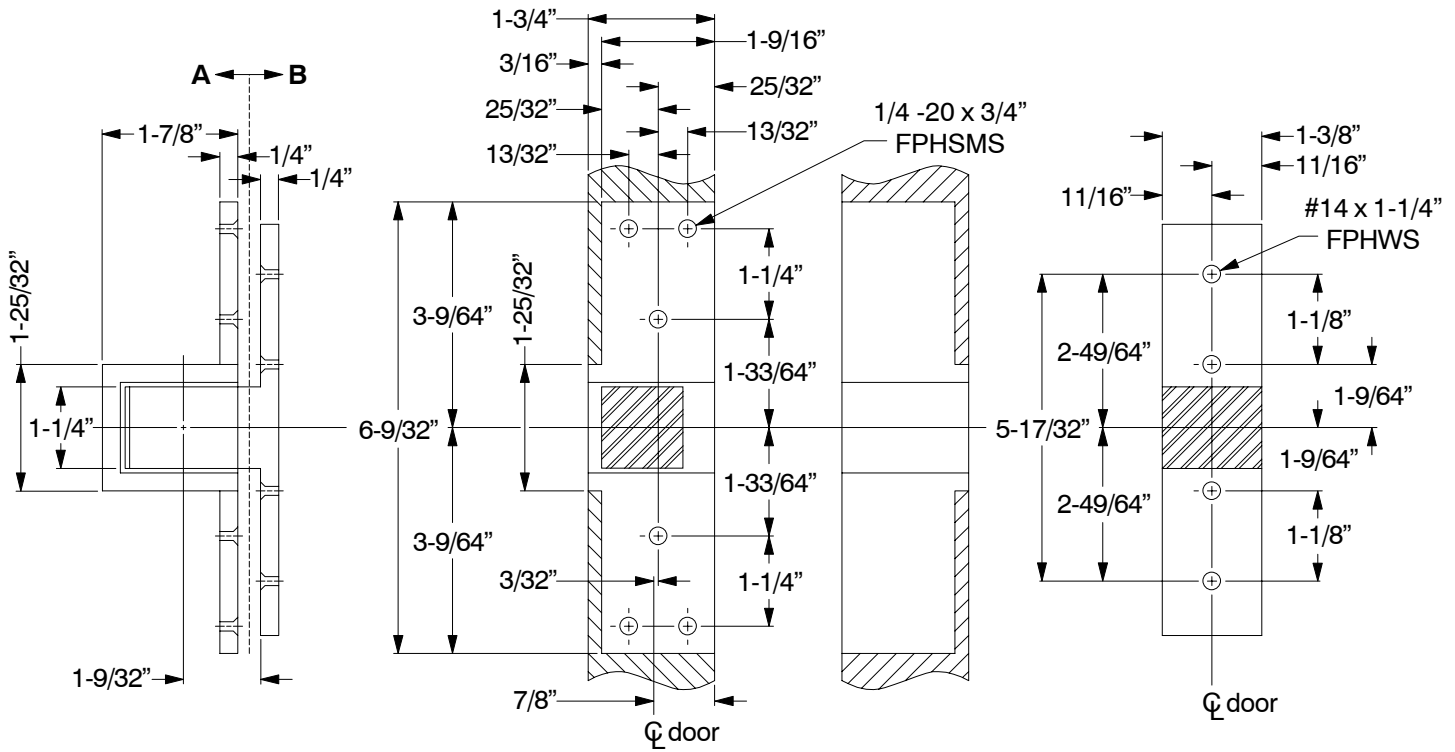




Installation Instructions

91105F Pocket Pivot Wood Door, Metal Frame

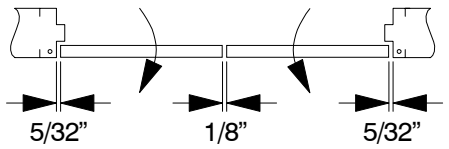
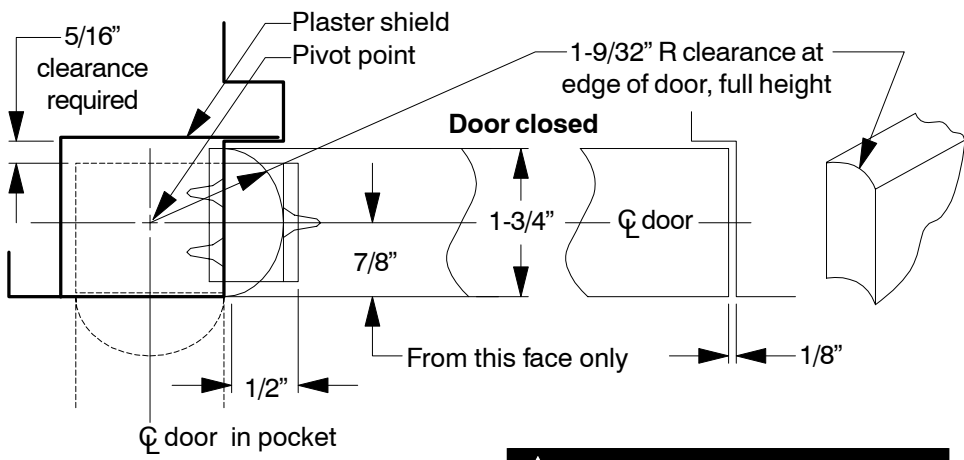


See other side for frame cutout and key plan

Right Hand Left Hand

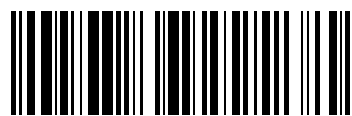
View A: Jamb Portion

View B: Door Portion

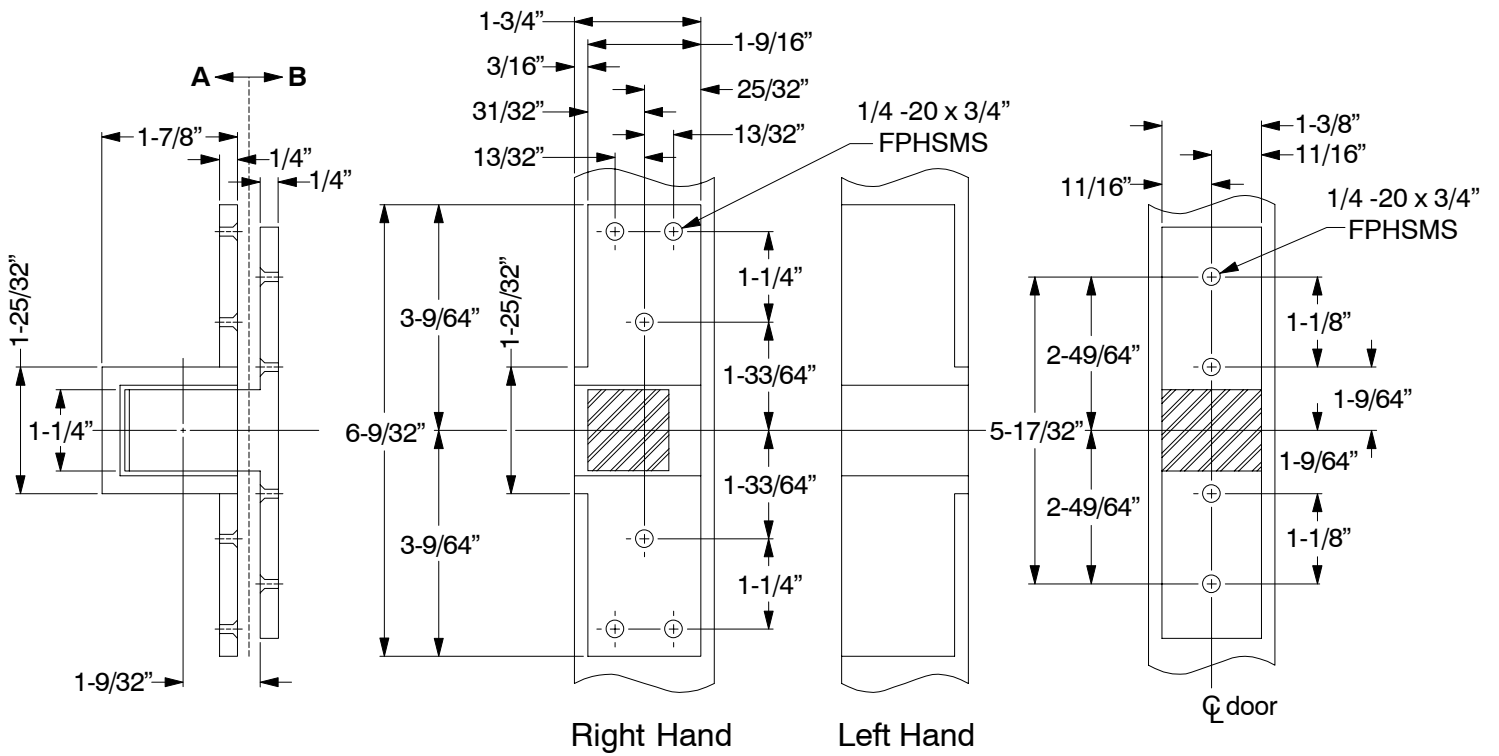


Required Door Clearance Simultaneous Pair

NOTE
UL listed for 20 minute doors.

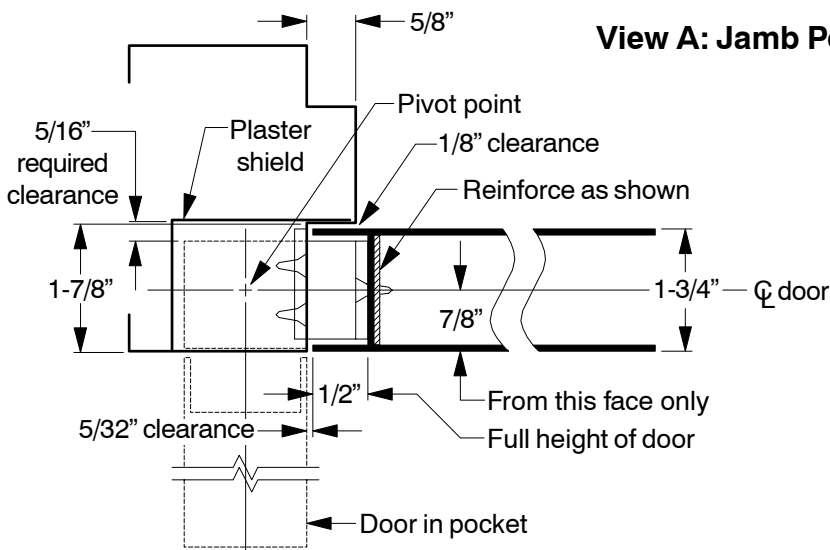


Metal Door, Metal Frame

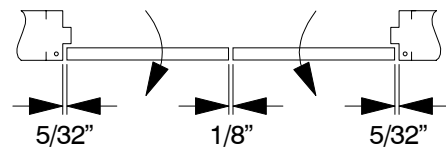


View A: Jamb Portion

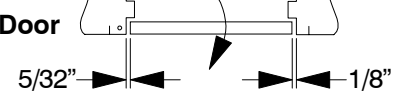
View B: Door Portion



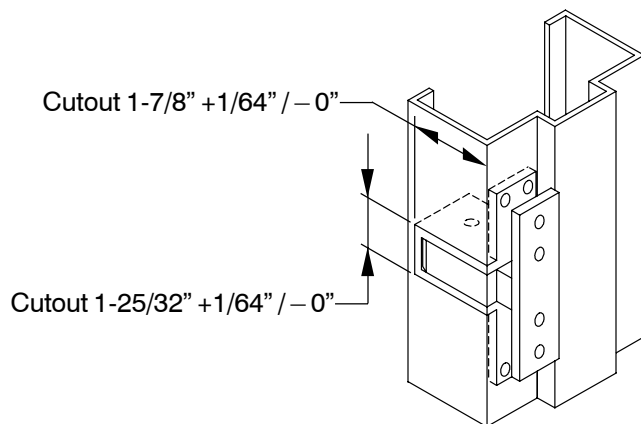
Required Door Clearance Simultaneous Pair



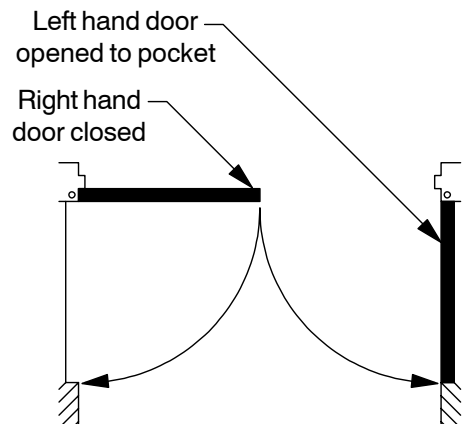
Single Door



See below for frame cutout and key plan



Frame Cutout



Key Plan (pairs of doors)