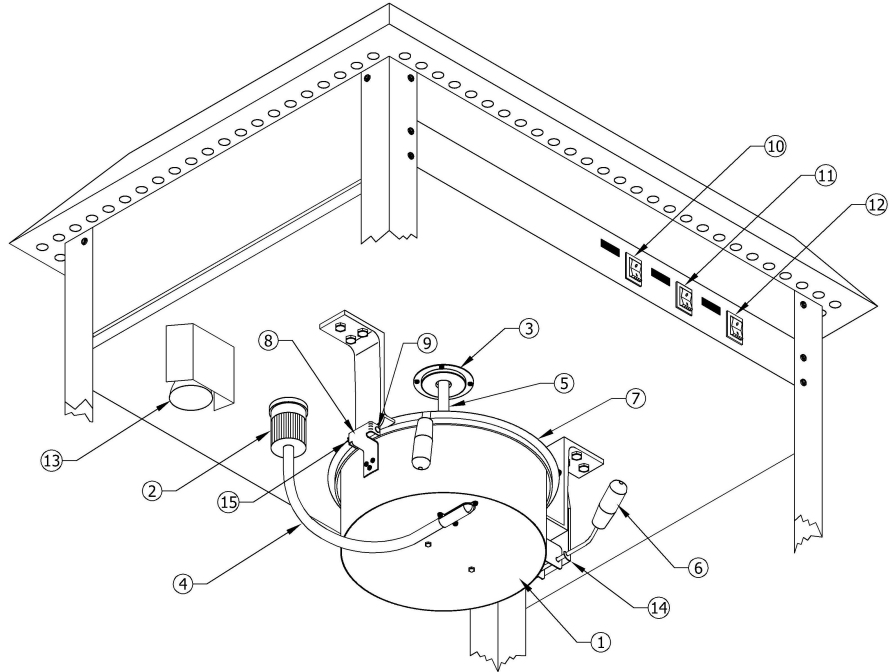


## REPLACING POPPING KETTLE IN 512 SERIES POPCORN POPPER

READ ALL INSTRUCTIONS PRIOR TO BEGINNING ANY WORK ON THE 512 POPPER.

ITEM	DESCRIPTION	QTY.
1	POPPING KETTLE	1
2	TWIST LOCK PLUG	1
3	MAGNET	1
4	120V POWER CORD	1
5	KETTLE AGITATOR	1
6	KETTLE RELEASE HANDLE	1
7	KETTLE COVER	1
8	HINGE BRACKET	1
9	HINGE PIN	1
10	TURN SWITCH	1
11	HEAT SWITCH	1
12	WARM SWITCH	1
13	HEAT LIGHT	1
14	KETTLE LATCH	1
15	SPRING PIN	1



### Recommended Tools

- Needle-nose Pliers
- Gloves
- Safety Goggles



**WARNING** A risk of fire and electrical shock exists in all electrical appliances and may cause personal injury or death. Please follow all instructions carefully and verify that your popcorn popper is disconnected from power source and has cooled completely.



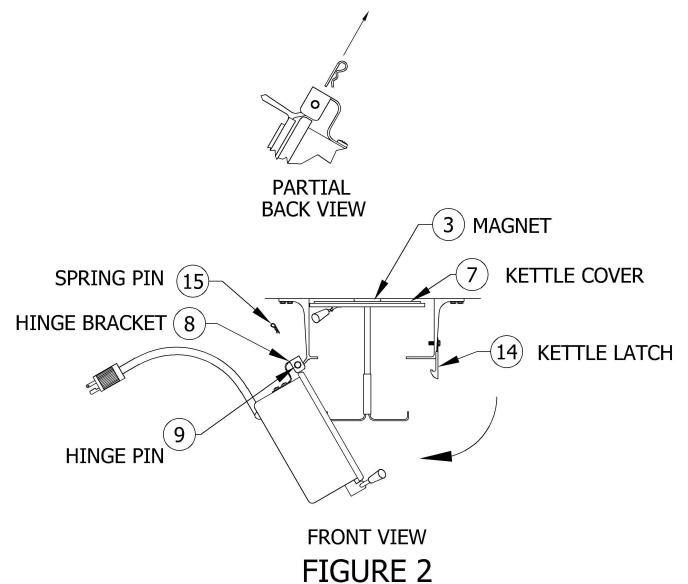
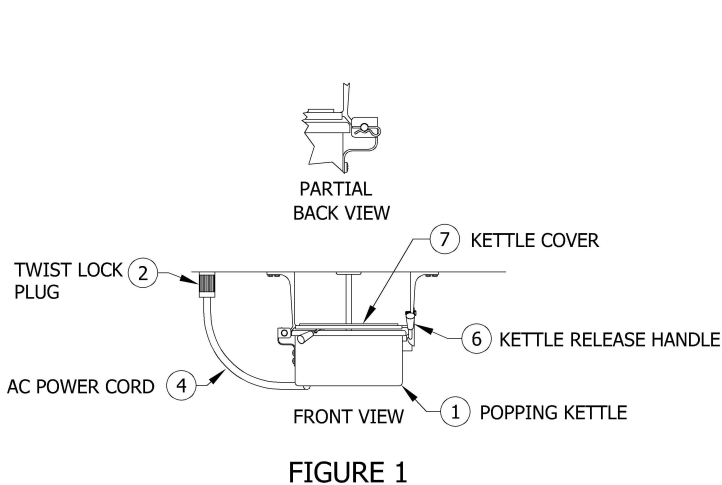
**CAUTION** This procedure should be performed by qualified maintenance personnel with experience repairing electrical, or electro-mechanical equipment. If you have any questions regarding this procedure, contact your Sales Representative or Dealer.

### Before You Begin

- Disconnect popcorn popper from power source.
- Allow popper to cool completely before performing any maintenance.
- Remove food from popper.
- Remove popper from food preparation, cooking, or food storage area.
- Retain all fasteners removed from the popper for later reassembly.
- Sanitize the new kettle prior to installation.

## Removing the Popping Kettle

1. Orient the popcorn popper so that the front of the unit faces you. Open the popper's two upper doors followed by the lower door. If the kettle cover (7) is down, raise it against the magnet (3) before continuing this procedure.
2. Disconnect the twist lock plug (2) from the receptacle on the popper ceiling by rotating the plug clockwise then gently pulling downward.
3. Verify that the kettle (1) is completely cool and in the popping position (Figure 1). Rotate the kettle release handle (6) to the left to release the popping kettle (1) from the kettle latch (14) and slowly guide the kettle (1) downward to the popcorn dump position (Figure 2).
4. Remove the spring pin (15) from the hinge pin (9).
5. Support the bottom of the popping kettle (1) with one hand and remove the hinge pin (9). Remove the popping kettle (1) from the popper.



## Installing the New Popping Kettle

6. Align the two holes on the popping kettle's hinge with the holes on the hinge bracket (8). Replace the hinge pin (9) and the spring pin (15) to secure the popping kettle (1) in its popcorn dump position (Figure 2).
7. Guide the popping kettle (1) upward until the kettle release handle (6) engages the kettle latch (14) to secure the kettle in its popping position (Figure 1).
8. Align the twist lock plug's locking blade with the receptacle. Reconnect the twist lock plug (2) by gently pushing the plug into the receptacle on the popper ceiling and rotating the plug counterclockwise.
9. Close the popper's lower door followed by the two upper doors. Reconnect popper to power source. Turn on the kettle warm switch (12), heat switch (11), and turn switch (10) to verify that the popper is operating properly.

