



# T2428100WP - Outdoor AC Power Supply

## Overview:

The Altronix T2428100WP Outdoor CCTV Camera Power Supply provides 24VAC or 28VAC supply current. The NEMA 4 rated Outdoor enclosure permits installation close to the outdoor CCTV equipment which reduces the need for long wire runs, which eliminates voltage drops.

## Specifications:

### Input:

- Input 115VAC 50/60 Hz, .95 amp.

### Output:

- 24VAC rated @ 4 amp or 28VAC rated @ 3.5 amp supply current.
- Secondary fuse rated @ 5 amp/250V.

### Additional Features:

- NEMA 4 rated outdoor enclosure.
- Ease of installation saves time and eliminates costly labor.

### Enclosure Dimensions:

12"H x 8"W x 6"D

### Installation Instructions:

1. Mount T2428100WP in desired location
2. Connect the AC (115VAC 50/60 Hz) to the black and white flying leads of the transformer (Fig. 1).
3. Measure output voltage before connecting device. This helps avoid potential damage.

**WARNING: This installation should be made by qualified service personnel and should conform to all local codes and in accordance with the National Electrical Codes.**

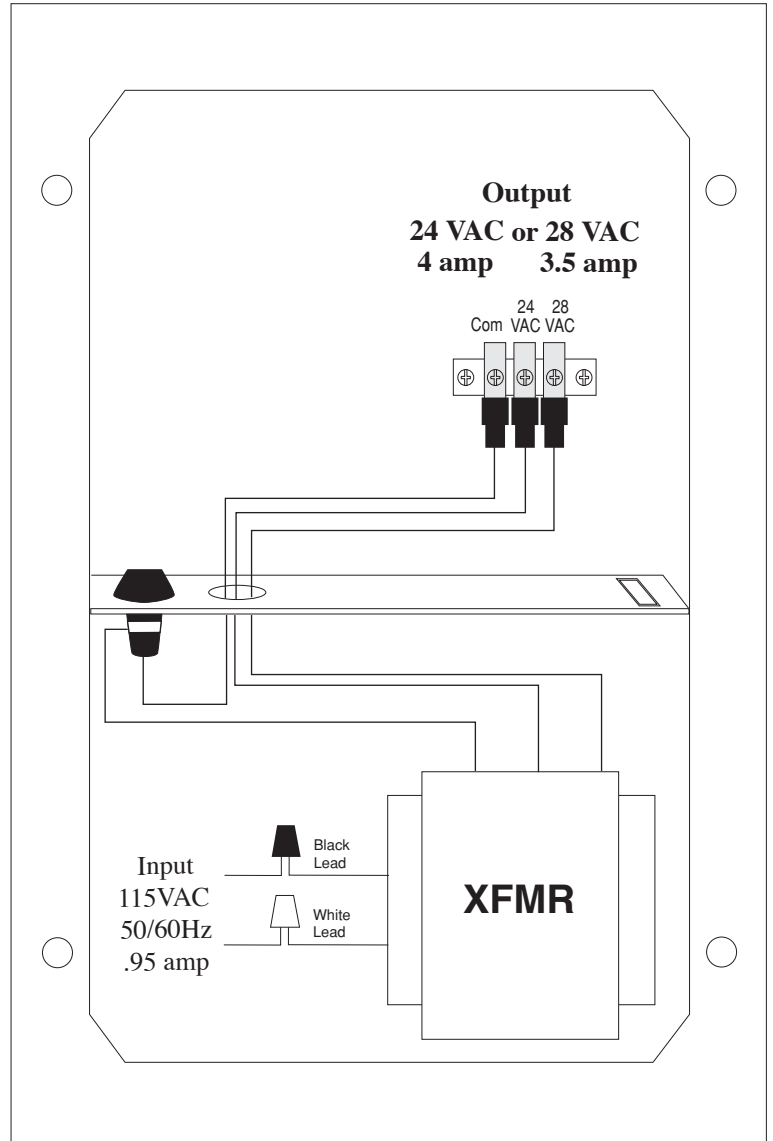
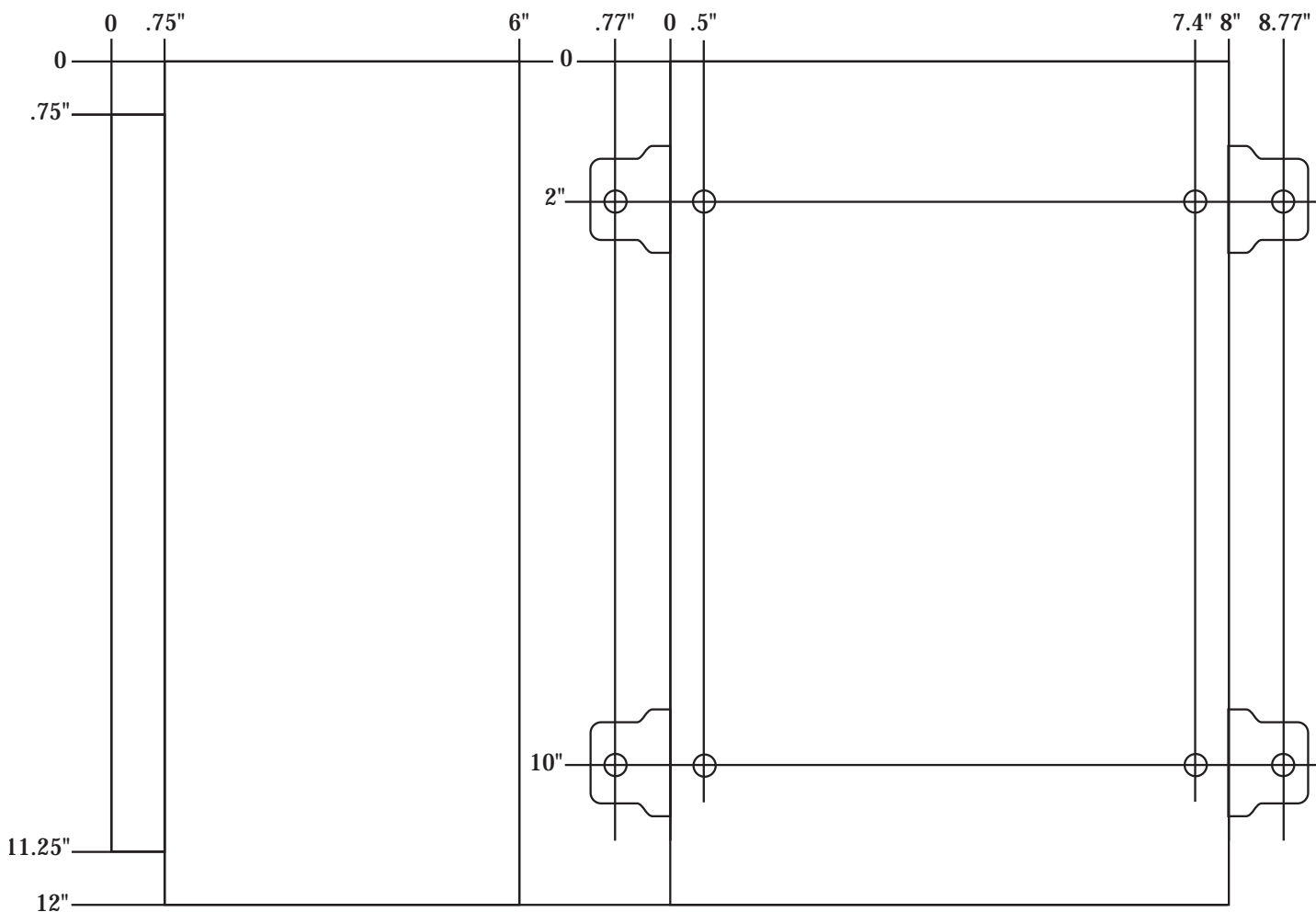


Fig. 1

**Enclosure Dimensions:**

12"H x 8"W x 6"D



Altronix is not responsible for any typographical errors. Product specifications are subject to change without notice.