

McKINNEY Hinge Catalog

Full Mortise Steel Hinges

Five Knuckle Standard Weight Series

McKinney
ASSA ABLOY



MP79

Plain bearing hinge. Steel base material polished and plated or furnished in prime coat.



MPB79

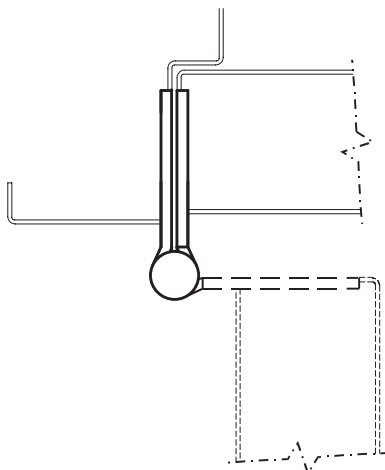
Bearing hinge. Steel base polished and plated or furnished in prime coat finish.



Available Options:

- NRP (non-removable pin)
- Consult the factory for available finishes

APPLICATION



Available Sizes

Inches	MM	Gauge
4½ x 4½	114.3 x 114.3	.134

Swing Clear Full Mortise Hinge Fasteners

Hinge Size	Machine	Wood
4½ x 4	½ x 12-24	1¼ x 12
4½ x 4½	½ x 12-24	1¼ x 12

Packing:

Packed 3 each per box, 48 per carton.
 All machine x all wood screws.

ANSI Cross Reference:

A8112 Steel
 A8133 Steel

Recommended for standard weight doors. For doors with closing devices MPB 79, bearing hinge must be used. MacPro by McKINNEY templated hinges are made to conform to ANSI/BHMA 156.1, 156.7.