

McKINNEY Hinge Catalog

Full Mortise Bearing Hinges

Five Knuckle Standard Weight Series

McKinney®
ASSA ABLOY

TA2314

Stainless steel base or available in brass or bronze base material polished and plated or furnished in powder coat.

TA2714

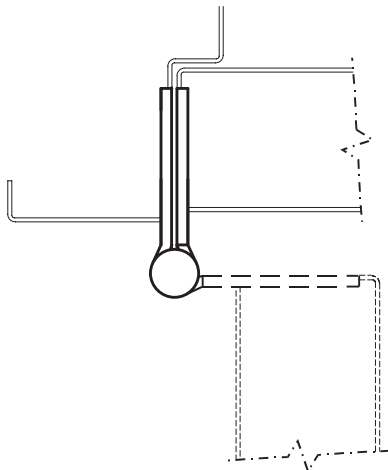
Steel base polished and plated or furnished in powder coat finish.



Available Options:

- NRP (non-removable pin)
- TB (ball bearing)
- TCA (concealed bearing)
- RC (round corner - 1/4" radius furnished unless specified otherwise)
- HT (hospital tip)
- BT (ball tip)
- ST (steeple tip)
- SSF (safety stud feature)
- QC (ElectroLynx hinge) 2, 4, 6, 8, 10 or 12 wire available
- CC (concealed circuit) 4, 6 or 8 wire available*
- MM (magnetic monitoring)
- Slip In (Type 1 or Type 2)
- Beveled Edge (where doors are beveled on hinge side specify TA4314 or TA4714)

APPLICATION



Available Sizes

Inches	MM	Gauge
3 1/2 x 3 1/2	88.9 x 88.9	.123
4 x 4	101.6 x 101.6	.130
4 1/2 x 4	114.3 x 101.6	.134
4 1/2 x 4 1/2	114.3 x 114.3	.134
5 x 4 1/2	127 x 114.3	.146
5 x 5	127 x 127	.146
6 x 6*	152.4 x 152.4	.160

*Not available in Stainless

Packing:

All standard weight full mortise hinges are packed with all machine x all wood screws. For special screws consult price book on availability.

Full Mortise Hinge Fasteners

Hinge Size	Machine	Wood
3 1/2 x 3 1/2	1/2 x 10-24	1 x 10
4 x 4	1/2 x 12-24	1 1/4 x 12
4 1/2 x 4	1/2 x 12-24	1 1/4 x 12
4 1/2 x 4 1/2	1/2 x 12-24	1 1/4 x 12
5 x 4 1/2	1/2 x 12-24	1 1/4 x 12
5 x 5	1/2 x 12-24	1 1/4 x 12
6 x 6	1/2 x 1/4-24	1 1/4 x 14

ANSI Cross Reference:

A2112 Brass, Bronze
A5112 Stainless
A8112 Steel

Recommended for standard weight, medium frequency doors, or doors with closing devices.