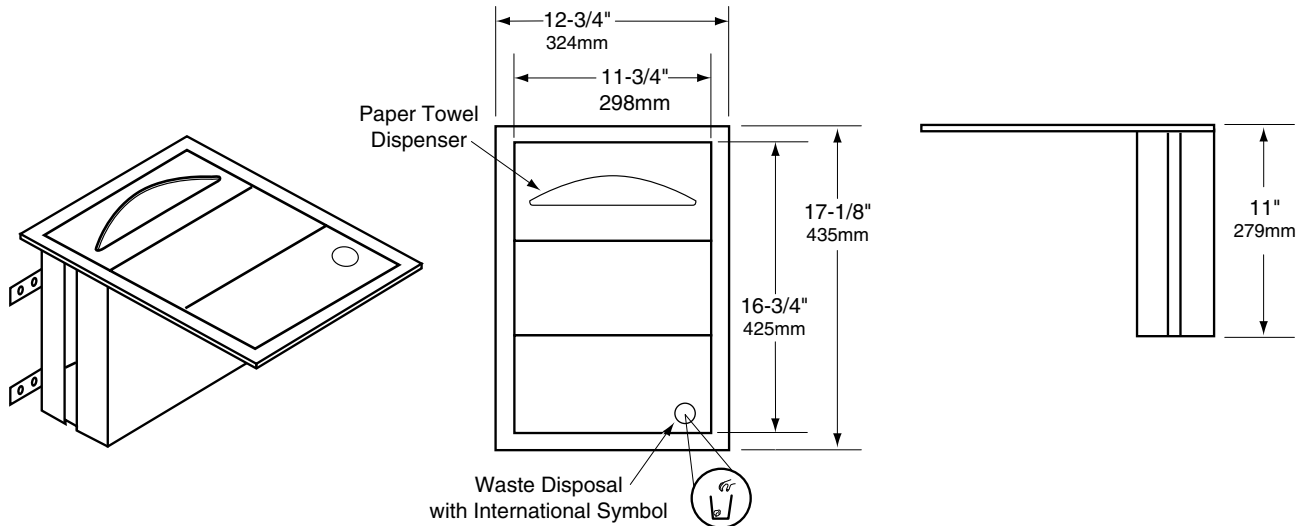


Date:

Project Name:



| Rough Countertop Cutout | |
|--------------------------------|--|
| | 11-3/4" (298mm) wide |
| | 16-3/4" (425mm) high |
| | 3/4" to 1-1/2" (19 to 38mm) mounting thickness |
| | 17" (430mm) minimum clearance below mounting surface |

CONSTRUCTION:

Fabricated of 22-gauge (0.8mm), type 304 stainless steel with exposed surfaces having a #4 satin-finish. Paper towels load into top of dispenser. Waste door, with international waste symbol, is self-closing, and mounted on a full length spring loaded stainless steel piano hinge. All welded construction.

CAPACITY:

300 C-fold or multi-fold towels

MOUNTING:

Check with mechanical engineer for plans for counter mounting.

Towel Dispenser and Waste Door for Countertops shall be Model CT-1 of Gamco Commercial Restroom Accessories, A Division of Bobrick, One Gamco Place, Durant, OK 74701-1910, Tel: 1-800-451-5766, Web: www.GAMCOUSA.com