

Security shelf with toothbrush slots:

Model SA50 – Chase Mounted

Product Materials

CHASE MOUNTED SHELF WITH FOUR TOOTHBRUSH SLOTS: 14 gauge stainless steel in architectural satin finish. All welds are ground smooth, with polished corners and burr-free edges.

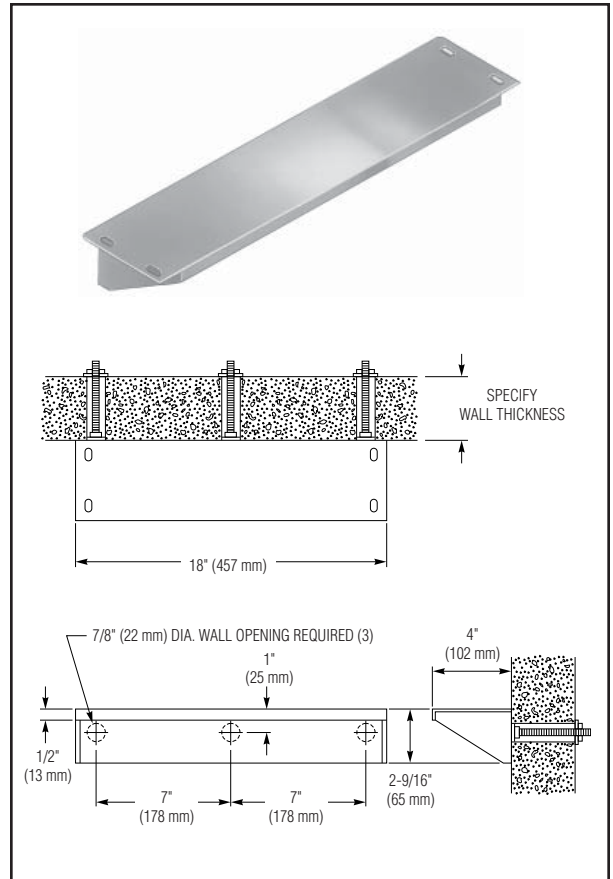
Overall dimensions: 18"W x 2-9/16"H x 4"D

Installation

Verify all rough-in dimensions prior to installation. Back of shelf has welded anchor nuts to receive threaded studs (provided).

Standard Selections

WALL THICKNESS (must specify)
<input type="checkbox"/> Specify Thickness: _____



**Washroom Accessories
Document No. 9275**

Page 1 of 1

This information is subject to change without formal notice.

Always consult local and national codes for proper installation guidelines. Conformity and compliance to local and national codes is the responsibility of the installer.

9-30-2008

© 2008 Bradley Corporation
P.O. Box 309, Menomonee Falls, WI 53052-0309
Phone: 800.BRADLEY (800.272.3539) Fax: 262.253.4161
bradleycorp.com